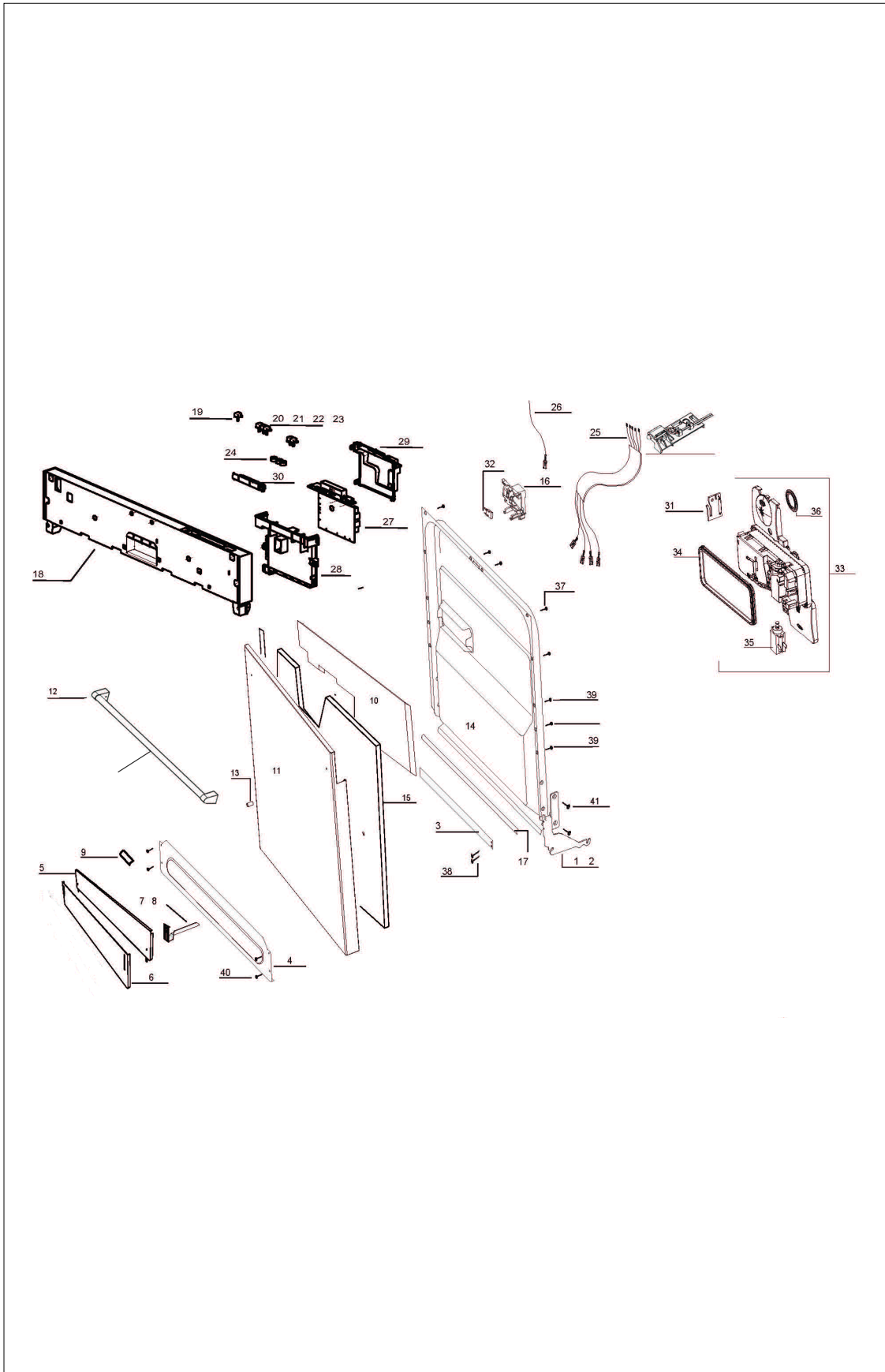


VDW302WS

VDW302WSSS Door Parts	1
VDW302WS Chassis parts	2
VDW302SS Water System parts	3
Appendix A:Pages Index	A
Appendix B:Parts Index	B

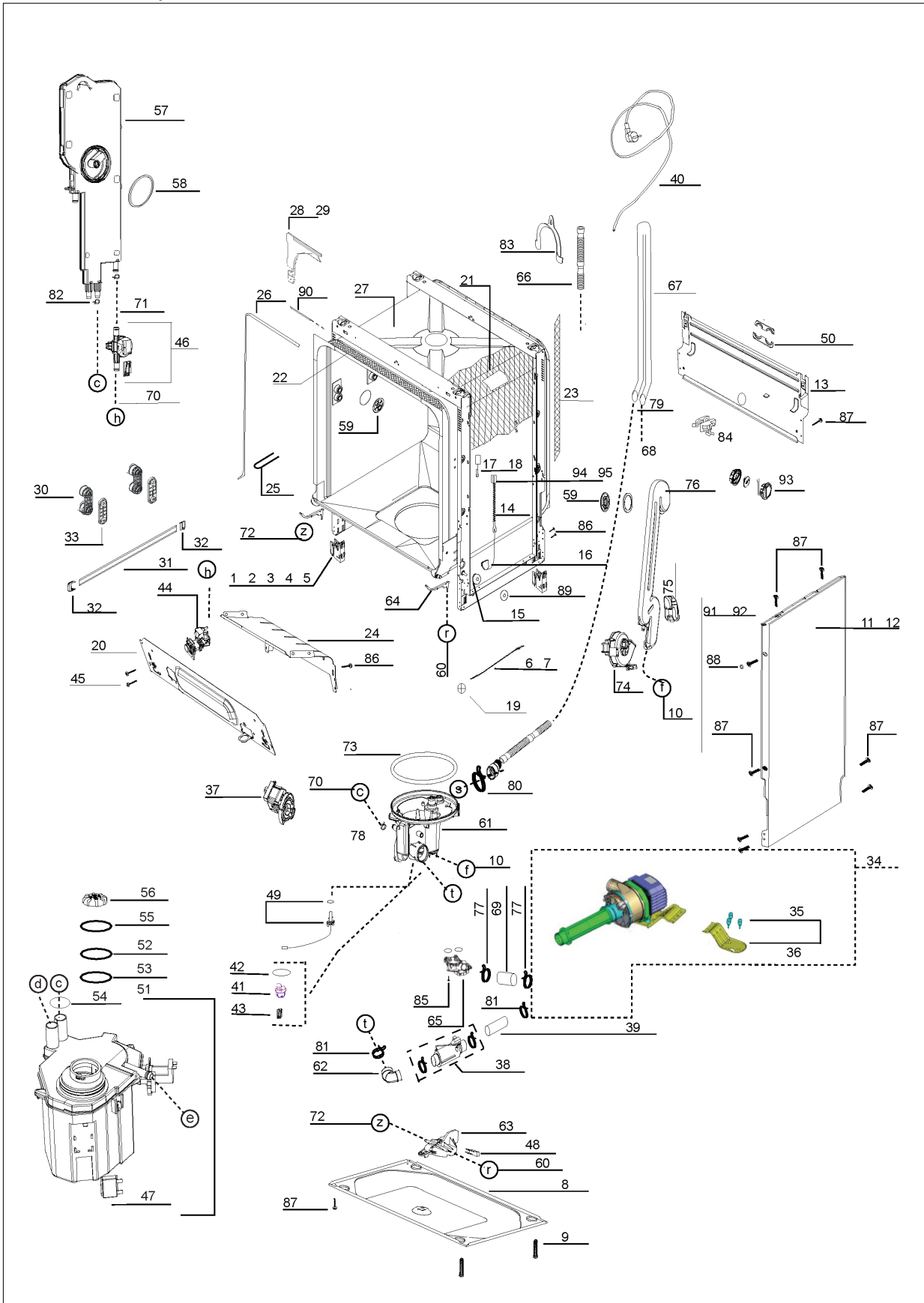
VDW302WSSS Door Parts



Item	Part No.	Name	Qty	Uom	NOTES
1	039739-000	HINGE ARM-RIGHT	1	EA	
2	039738-000	HINGE ARM-LEFT	1	EA	
3	039935-000	HINGE ARM SUPPORT	1	EA	
4	039773-000	KICK PLATE SHEET	1	EA	
5	039926-000	KICK PLATE SHEET	1	EA	
NI	063681-000	INSULATION MATERIAL	1	EA	
	NOTE	GOES BEHIND KICKPLATE		EA	
6	060210-000	KICK PLATE SHEET	1	EA	
7	039924-000	PLINTH ADJUSTMENT SHEET-LEFT	1	EA	
8	039925-000	PLINTH ADJUSTMENT SHEET-RIGHT	1	EA	
9	039928-000	kick plate adjusting locker	1	EA	
10	039932-000	DOOR INSULATION	1	EA	
11	060166-000	OUT DOOR - R=1_4 mm	1	EA	
12	060160-000	TALL TUB HANDLE GROUP	1	EA	
	NOTE	(INCLUDES END CAPS)		EA	
NI	076005-000	SET SCREW	2	EA	
13	069746-000	TALL TUB USA COVER (STUD COLLAR)	2	EA	
NI	069747-000	SCREW (FOR STUD COLLAR)	2	EA	
14	039720-000	INNER DOOR BITUMEN GRD	1	EA	
15	060205-000	DOOR INSULATION	1	EA	
16	060170-000	DOOR LOCK GROUP	1	EA	
17	039908-000	DOOR SEALING GASKET - BOTTOM	1	EA	
18	060163-000	PANEL GR FDW302	1	EA	
19	060156-000	ON-OFF BUTTON - BLACK	1	EA	
20	060153-000	F1-F2 FUNCTION BUTTON - BLACK	1	EA	
21	060154-000	F3-F4 FUNCTION BUTTON BLACK	1	EA	
22	060180-000	DELAY BUTTON - BLACK	1	EA	
23	060155-000	PROGRAM DELAY BUTTON - BLACK	1	EA	
24	060192-000	E5-E6 button gasket	1	EA	

Item	Part No.	Name	Qty	Uom	NOTES
25	060185-000	D1 CABLE HARNESS	1	EA	
26	057525-000	GROUND WIRE	1	EA	
27	060161-000	ELECTRONIC CARD E5	1	EA	
28	060189-000	E5-E6 CARD HOLDER FRONT PART	1	EA	
29	060190-000	E5-E6 CARD HOLDER BACK PART	1	EA	
30	060191-000	E5-E6 BOTTON HOLDER PART	1	EA	
31	050831-000	RINSE AID GLASS	1	EA	
32	059878-000	NEW DOOR SWITCH	1	EA	
33	039715-000	DETERGENT DISPENSER GROUP	1	EA	
34	039714-000	DETERGENT DISPENSER GASKET	1	EA	
35	039882-000	THERMOACTUATOR D3731 D3421	1	EA	
36	039713-000	RINSE AID GASKET	1	EA	
37	039914-000	SCREW	4	EA	
38	039917-000	BOLT M4X8 D3731 D3421	23	EA	
39	039916-000	SCREW	6	EA	
40	039876-000	SCREW	20	EA	
41	039877-000	SCREW	4	EA	
NI	PE010016	LOGO (ALL RANGES) *BK/CHR 307997W	1	EA	
NI	PE030008	DOOR HANDLE - LH 48VGRC	2	EA	NO LONGER AVAILABLE
42	065087-000	TALL TUB COVER HANDLE CONNECTION PART (END CAP)	2	EA	
NI	076005-000	SET SCREW	2	EA	

VDW302WS Chassis parts



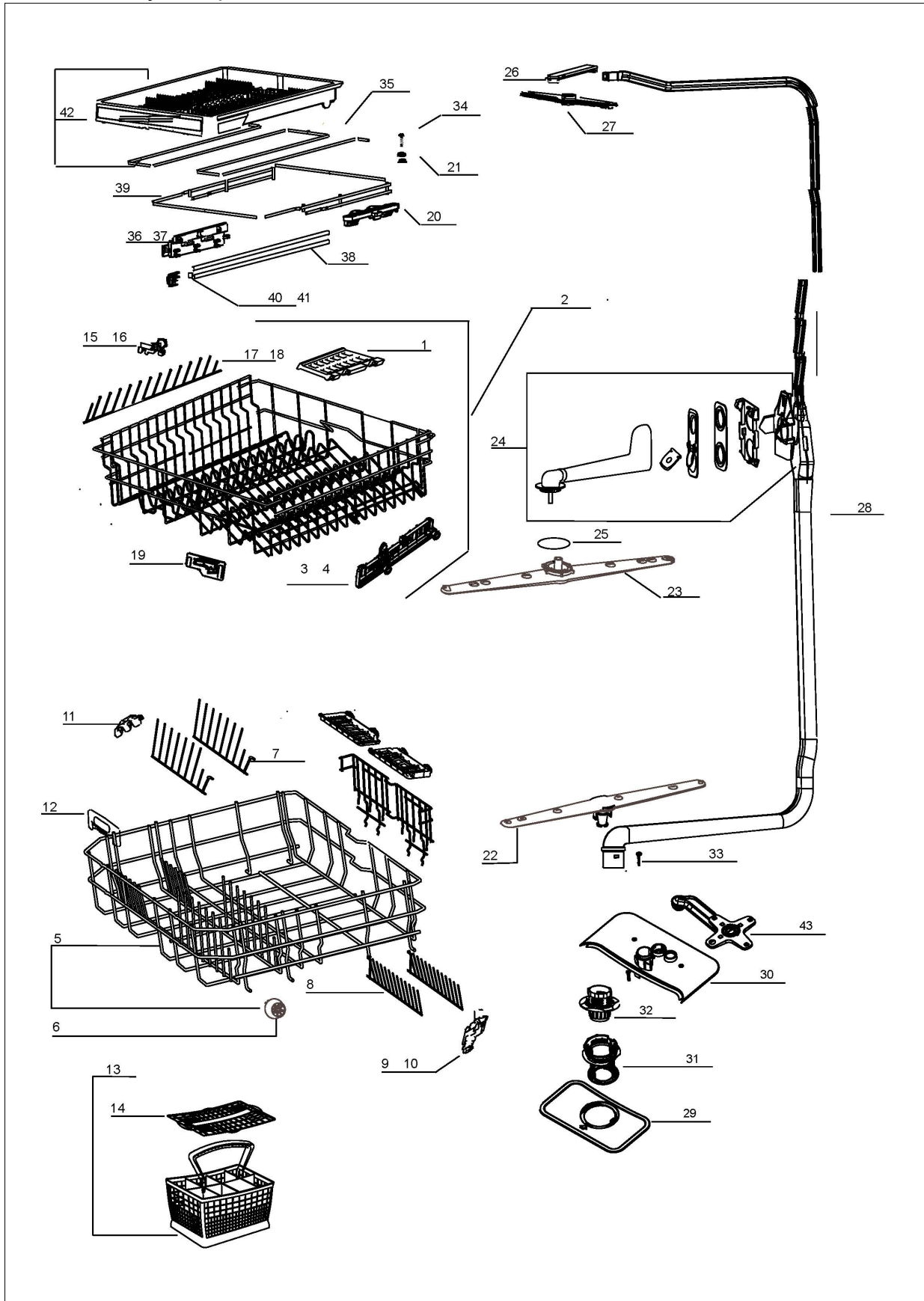
Item	Part No.	Name	Qty	Uom	NOTES
1	039898-000	FOOT SUPPORT PART	4	EA	
2	050779-000	FOOT GROUP-ADJUSTABLE- RIGHT-FRONT	1	EA	
3	039941-000	FOOT GROUP-ADJUSTABLE- RIGHT-BACK	1	EA	
4	039942-000	FOOT GROUP-ADJUSTABLE- LEFT-FRONT	1	EA	
5	039943-000	Rear feet Adjustable LEFT BACK	1	EA	
6	039937-000	REAR ADJUSTABLE FOOT CONNECTION PART (LONG)	2	EA	
7	039938-000	REAR ADJUSTABLE DOOR CONNECTION PART (SHORT)	2	EA	
8	039886-000	BOTTOM TRAY	1	EA	
9	039889-000	FOOT GROUP-ADJUSTABLE	4	EA	
10	050797-000	HOSE BETWEEN FAN AND SUMP	1	EA	
11	057516-000	SIDE PANEL-LEFT	1	EA	
12	057517-000	SIDE PANEL-RIGHT	1	EA	
13	050891-000	REAR BOTTOM SUPPORT	1	EA	
14	057495-000	HINGE SPRING	4	EA	
15	039893-000	HINGE WHEEL	2	EA	
16	039894-000	HINGE ROPE GROUP	2	EA	
17	039763-000	DOOR ADJUSTMENT GROUP- LEFT	1	EA	
18	059866-000	DOOR ADJUSTMENT GROUP - RIGHT	1	EA	
19	039765-000	DOOR ADJUSTING ADAPTOR	2	EA	
20	039773-000	KICK PLATE SHEET	1	EA	
21	050777-000	INNER TUB ISOLATION (TUB INSULATION)	1	EA	
22	039923-000	DOOR LOCK COTTON FLEECE	1	EA	
23	060157-000	FELT	1	EA	
24	039885-000	LOWER SUPPORT - FRONT	1	EA	
25	039901-000	DOOR LOCK HOOK	1	EA	
26	039769-000	DOOR SEALING GASKET L=1861	1	EA	

Item	Part No.	Name	Qty	Uom	NOTES
27	060762-000	STRUCTURE GROUP	1	EA	NON-SERVICEABLE PART
28	039767-000	TOP CORNER BRACKET - LEFT	1	EA	
29	039768-000	TOP CORNER BRACKET - RIGHT	1	EA	
30	050780-000	GRD BALL BEARING ROLLER GROUP	4	EA	
31	039887-000	RAIL (430 STAINLESS STEEL)	2	EA	
32	050782-000	RAIL CAP- FRONT&BACK - RAL7037	2	EA	
33	039777-000	RAIL WHEEL HOLDER	4	EA	
34	060187-000	QUADRO CIRCULATION MOTOR GROUP	1	EA	
35	060182-000	CIRCULATION PUMP DAMPENING RUBBER	3	EA	
36	060181-000	MOTOR BRACKET GROUP	1	EA	
37	039758-000	DRAIN PUMP GROUP	1	EA	
38	060167-000	FLOW THROUGH HEATER	1	EA	
39	060188-000	PUMP INLET HOSE	1	EA	
40	039949-000	MAIN POWER PLUG 120V USA	1	EA	
41	039900-000	TURBIDITY FRAME	1	EA	
42	039868-000	O-RING (TURBIDITY)	1	EA	
43	039950-000	TURBIDITY CARD AND LED HOLDER GR	1	EA	
44	039756-000	WATER INLET VALVE	1	EA	
45	039761-000	SCREW	2	EA	
46	050887-000	COUNTER GROUP	1	EA	
47	039865-000	SALT INDICATOR SWITCH	1	EA	Not available online / Call for pricing and availability
48	039913-000	MICRO SWITCH	1	EA	
49	039933-000	NTC GROUP	1	EA	
50	039918-000	DRAIN HOSE HOLDER 7037	2	EA	
51	057585-000	WATER SOFTENER GROUP	1	EA	
52	057592-000	WATER SOFTENER NUT	1	EA	
53	050807-000	SOFTENER O-RING	1	EA	

Item	Part No.	Name	Qty	Uom	NOTES
54	039753-000	O RING -WATER SOFTENER	2	EA	
55	050806-000	WATER SOFTENER CAP GASKET	1	EA	
56	050805-000	WATER SOFTENER CAP GROUP 2	1	EA	
57	050775-000	REGENERATION UNIT	1	EA	
58	039910-000	AIR FUNNEL GASKET	1	EA	
59	050778-000	AIR FUNNEL CAP	2	EA	
60	039872-000	HOSE	1	EA	
61	062826-000	6 WAY VALVE AND SUMP GROUP	1	EA	
62	039723-000	HOSE BETWEEN SUMP AND HEATER	1	EA	
63	039934-000	OVERFLOW FLOAT GROUP	1	EA	
64	039921-000	OVERFLOW SIPHON	2	EA	
65	060194-000	6 WAY VALVE GROUP	1	EA	
66	039726-000	DRAIN HOSE (88.5" LONG)	1	EA	
67	039792-000	COLUMN ASSY	1	EA	
68	039725-000	DRAIN HOSE (16" LONG)	1	EA	
69	050798-000	HOSE	1	EA	
70	039867-000	HOSE (VALVE-COUNTER)	1	EA	
71	039866-000	HOSE BETWEEN COUNTER AND REGENERATION U.	1	EA	
72	039873-000	HOSE (OVERFLOW SIPHON TO OVERFLOW FLOAT)	1	EA	
73	039722-000	SUMP GASKET	1	EA	
74	050179-000	FAN MOTOR GROUP	1	EA	Not available online / Call for pricing and availability
75	050796-000	FAN OUTLET PIPE	1	EA	
76	050784-000	FAN SUCTION PIPE	0.4	EA	
77	039957-000	HOSE CLAMP	1	EA	
78	057589-000	HOSE CLAMP (Ø 15.88)	1	EA	
79	039952-000	HOSE CLAMP (Ø 28_7)	2	EA	
80	039953-000	HOSE CLAMP.(Ø 34_1)	1	EA	
81	050799-000	HOSE CLAMP (Ø 47)	1	EA	

Item	Part No.	Name	Qty	Uom	NOTES
82	039958-000	HOSE CLAMP (Ø 15.88)	1	EA	
83	040591-000	Drain Hose Holder	1	EA	
84	060207-000	MAIN PLUG HOLDER	1	EA	
85	039880-000	PLASTIC SCREW	5	EA	
86	039917-000	BOLT M4X8 D3731 D3421	23	EA	
87	039876-000	SCREW	20	EA	
88	039905-000	SCREW CAP SIDE WALLS	2	EA	
89	039883-000	WASHER	2	EA	
90	039904-000	NOISE ISOLATION FOR TUB RAL 7037.	1	EA	
91	057529-000	NOISE ISOLATION	2	EA	
	NOTE	SLIDES ON TRIM OF TUB		EA	
92	039760-000	NOISE ISOLATION-RAL 7037	2	EA	
	NOTE	STICKS ON SIDE OF UNIT		EA	
93	060174-000	INNER ILLUMINATION CARD HOLDER GR	1	EA	
94	057470-000	DUAL SPRING HOLDER TOP PART	2	EA	
95	057471-000	DUAL SPRING HOLDER LOWER PART	2	EA	
96	061501-000	SUMP CLAMP SCREW TYPE	1	EA	
97	050782-000	RAIL CAP- FRONT&BACK - RAL7037	2	EA	
NI	057530-000	ACCESSORIES	1	EA	
	NOTE	INSTALL HARDWARE		EA	
NI	071566-000	MOUNTING BRACKET KIT	1	EA	
	NOTE	TO SECURE UNIT TO CABINET		EA	
NI	061473-000	AMERICA BOBBIN INTERFERENCE FILTER	1	EA	

VDW302SS Water System parts



Item	Part No.	Name	Qty	Uom	NOTES
1	039785-000	SHELF GROUP	4	EA	
2	060241-000	UPPER RACK GR. RAL 7037	1	EA	
3	057480-000	UPPER BASKET MECHANISM-LEFT	1	EA	
4	057481-000	UPPER BASKET MECHANISM-RIGHT	1	EA	
5	060184-000	LOWER BASKET GROUP	1	EA	
6	060707-000	GRD LOWER BASKET WHEEL GROUP	8	EA	Not available online / Call for pricing and availability
7	039788-000	PLATE HOLDER-LEFT	2	EA	
8	039789-000	PLATE HOLDER-RIGHT	2	EA	
9	050885-000	FOLDING PART OF BOTTOM BASKET	1	EA	
10	057489-000	FOLDING PART OF BOTTOM BASKET	1	EA	
11	050821-000	LOWER BASKET CLIPS (SHORT)	3	EA	
11	039855-000	LOWER BASKET CLIPS (LONG)	3	EA	
12	050883-000	LOWER BASKET HANDLE-WATER BLUE	1	EA	
13	057482-000	CUTLERY BASKET GROUP-7016/BLUE	1	EA	
14	039791-000	CUTLERY BASKET SEPARATOR-RAL7016	2	EA	
15	039861-000	UPPER BASKET CLIPS	11	EA	
16	039783-000	FOLDING PART CLIPS RIGHT	1	EA	
17	059870-000	UPPER BASKET SUPPORT WIRE	1	EA	
18	059871-000	UPPER BASKET SUPPORT WIRE	1	EA	
NI	060172-000	PLATE HOLDER -RAL7016 (CURVED TINES)		EA	
19	057494-000	GRD FOLDING PART	1	EA	
20	050816-000	UPPER TRAY RAIL HOLDER	2	EA	
21	050817-000	CONNECTING WASHER	4	EA	
22	060164-000	LOWER SPRAY ARM GROUP	1	EA	
23	060165-000	UPPER SPRAY ARM GROUP	1	EA	

Item	Part No.	Name	Qty	Uom	NOTES
24	039862-000	UPPER SPRAY ARM FEED PIPE	1	EA	
25	039870-000	GASKET	1	EA	
26	039847-000	CEILING SPRAY ARM FEED PIPE	1	EA	NO LONGER AVAILABLE
27	039841-000	CEILING SPRAY GROUP	1	EA	
28	039840-000	WATER SUPPLY TUBE GROUP	1	EA	
29	060198-000	METAL FILTER GROUP	1	EA	
30	060199-000	HALF FILTER SUPPORT ZONE	1	EA	
31	060196-000	MICRO FILTER GROUP_2	1	EA	
32	057474-000	COARSE FILTER	1	EA	
33	039945-000	SCREW 4x14	3	EA	
34	039880-000	PLASTIC SCREW	5	EA	
35	050809-000	UPPER TRAY FRAME WIRE	1	EA	
36	050811-000	UPPER TRAY DRAWER HOLDER-LEFT	1	EA	
37	050812-000	UPPER TRAY DRAWER HOLDER-RIGHT	1	EA	
38	050815-000	CEILING RAIL	2	EA	
39	050810-000	UPPER TRAY HOLDER	1	EA	
40	060177-000	UPPER TRAY RAIL CAP-RIGHT RAL 7037	1	EA	
41	060178-000	UPPER TRAY RAIL CAP-LEFT RAL7037	1	EA	
42	060176-000	UPPER TRAY GROUP	1	EA	
43	060195-000	ZONE WASH GROUP	1	EA	



Appendix A:Pages Index

VDW302SS Water System parts 3
VDW302WS Chassis parts 2
VDW302WSSS Door Parts 1

Appendix B:Parts Index

039713-000	1	039873-000	2
039714-000	1	039876-000	1, 2
039715-000	1	039877-000	1
039720-000	1	039880-000	2, 3
039722-000	2	039882-000	1
039723-000	2	039883-000	2
039725-000	2	039885-000	2
039726-000	2	039886-000	2
039738-000	1	039887-000	2
039739-000	1	039889-000	2
039753-000	2	039893-000	2
039756-000	2	039894-000	2
039758-000	2	039898-000	2
039760-000	2	039900-000	2
039761-000	2	039901-000	2
039763-000	2	039904-000	2
039765-000	2	039905-000	2
039767-000	2	039908-000	1
039768-000	2	039910-000	2
039769-000	2	039913-000	2
039773-000	1, 2	039914-000	1
039777-000	2	039916-000	1
039783-000	3	039917-000	1, 2
039785-000	3	039918-000	2
039788-000	3	039921-000	2
039789-000	3	039923-000	2
039791-000	3	039924-000	1
039792-000	2	039925-000	1
039840-000	3	039926-000	1
039841-000	3	039928-000	1
039847-000	3	039932-000	1
039855-000	3	039933-000	2
039861-000	3	039934-000	2
039862-000	3	039935-000	1
039865-000	2	039937-000	2
039866-000	2	039938-000	2
039867-000	2	039941-000	2
039868-000	2	039942-000	2
039870-000	3	039943-000	2
039872-000	2	039945-000	3
		039949-000	2



039950-000	2	057494-000	3
039952-000	2	057495-000	2
039953-000	2	057516-000	2
039957-000	2	057517-000	2
039958-000	2	057525-000	1
040591-000	2	057529-000	2
050179-000	2	057530-000	2
050775-000	2	057585-000	2
050777-000	2	057589-000	2
050778-000	2	057592-000	2
050779-000	2	059866-000	2
050780-000	2	059870-000	3
050782-000	2, 2	059871-000	3
050784-000	2	059878-000	1
050796-000	2	060153-000	1
050797-000	2	060154-000	1
050798-000	2	060155-000	1
050799-000	2	060156-000	1
050805-000	2	060157-000	2
050806-000	2	060160-000	1
050807-000	2	060161-000	1
050809-000	3	060163-000	1
050810-000	3	060164-000	3
050811-000	3	060165-000	3
050812-000	3	060166-000	1
050815-000	3	060167-000	2
050816-000	3	060170-000	1
050817-000	3	060172-000	3
050821-000	3	060174-000	2
050831-000	1	060176-000	3
050883-000	3	060177-000	3
050885-000	3	060178-000	3
050887-000	2	060180-000	1
050891-000	2	060181-000	2
057470-000	2	060182-000	2
057471-000	2	060184-000	3
057474-000	3	060185-000	1
057480-000	3	060187-000	2
057481-000	3	060188-000	2
057482-000	3	060189-000	1
057489-000	3	060190-000	1



060191-000 1
060192-000 1
060194-000 2
060195-000 3
060196-000 3
060198-000 3
060199-000 3
060205-000 1
060207-000 2
060210-000 1
060241-000 3
060707-000 3
060762-000 2
061473-000 2
061501-000 2
062826-000 2
063681-000 1
065087-000 1
069746-000 1
069747-000 1
071566-000 2
076005-000 1, 1
PE010016 1
PE030008 1