

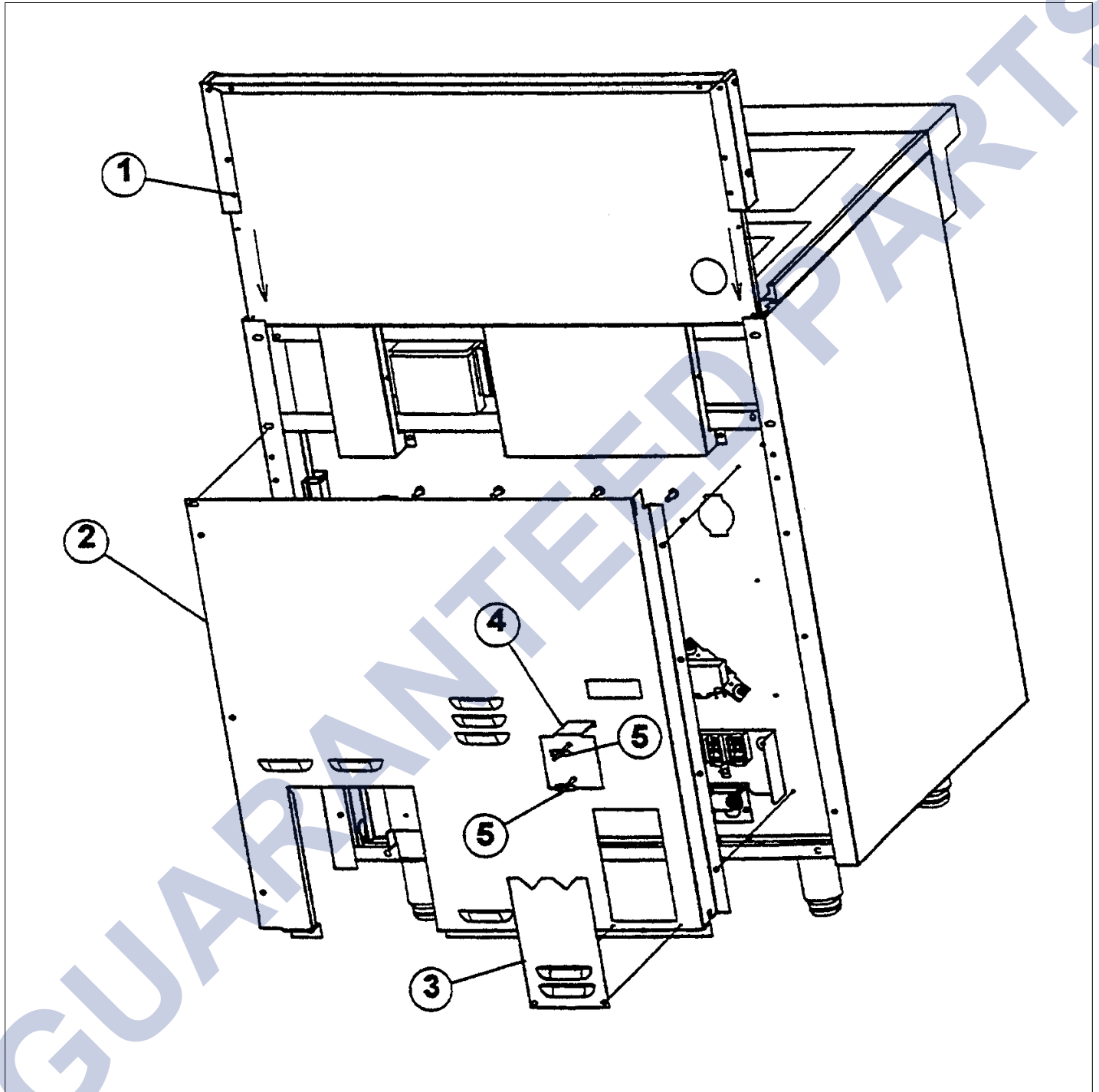
VESC306

GUARANTEED PARTS

BACKGUARD-BACK COVER ASSY 1
DRIP TRAY ASSY 2
EXTERIOR ASSY VIEW 1 3
EXTERIOR ASSY VIEW 2 4
EXTERIOR ASSY VIEW 3 5
FUNCTIONAL PARTS 6
OVEN CAVITY (INSUL. RETNR) ASSY 7
OVEN CAVITY ASSY 8
OVEN CAVITY ASSY (TOP & BOTTOM) 9
OVEN DOOR ASSY 10
PANEL OVEN 11
REAR PANEL ASSEMBLY 12
WIRING 13
Appendix A:Pages Index A
Appendix B:Parts Index B

GUARANTEED PARTS

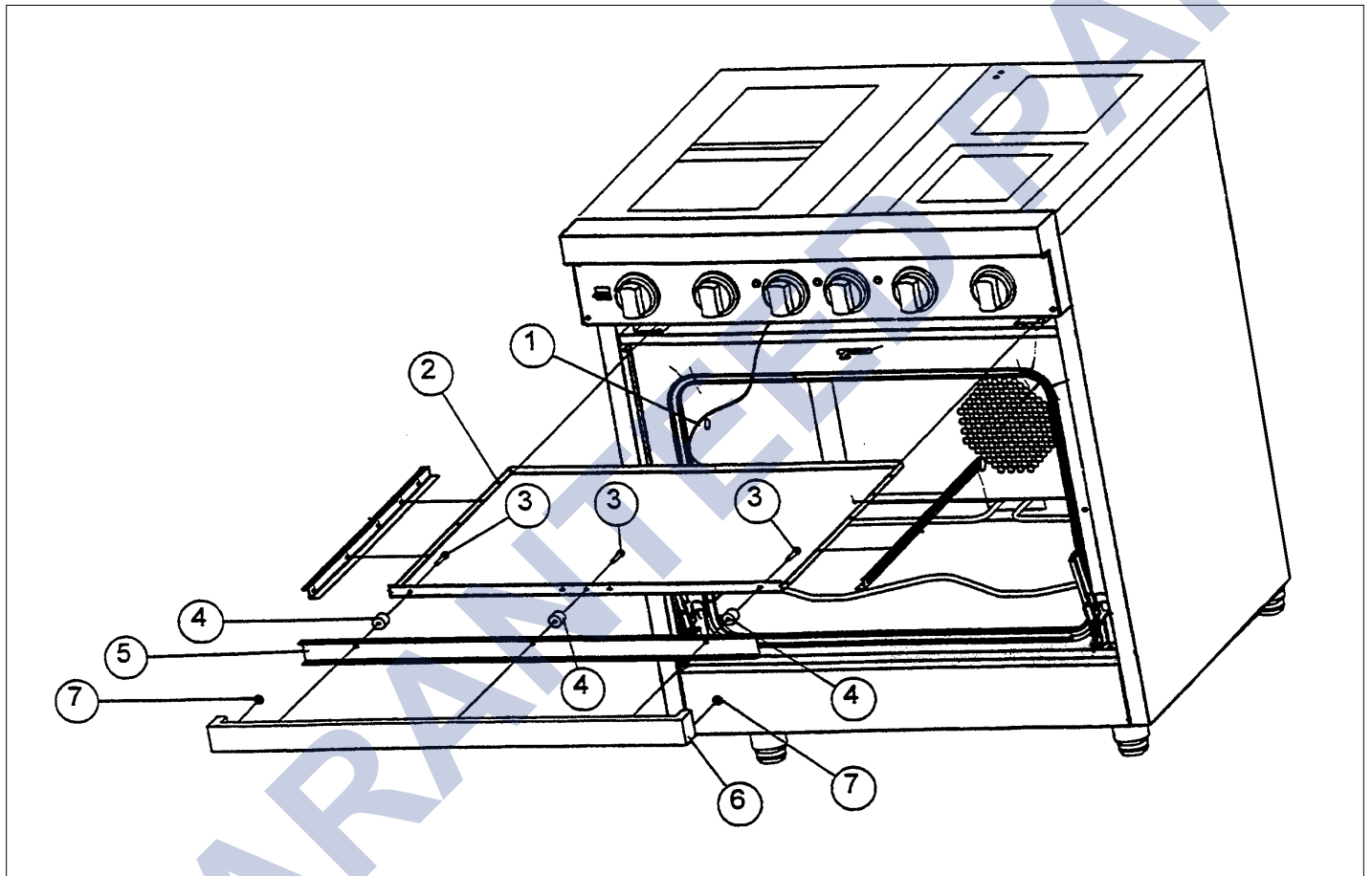
BACKGUARD-BACK COVER ASSY



| Item | Part No. | Name | Qty | Uom | NOTES |
|------|----------|--------------------------------|-----|-----|---------------------|
| 1 | G3202341 | BACKGUARD FRONT ASSY (VGSC/SS) | 1 | EA | NO LONGER AVAILABLE |
| 2 | A2002453 | BACK COVER (VDSC) | 1 | EA | NO LONGER AVAILABLE |
| 3 | A2002454 | BACK, COVER ACCESS DOOR | 1 | EA | |
| 4 | A2002654 | ANTI-TIP DEVICE (VDSC) | 1 | EA | |
| 5 | PD010018 | TOGGLE BOLT (3/16" X 2") | 1 | EA | |

GUARANTEED PARTS

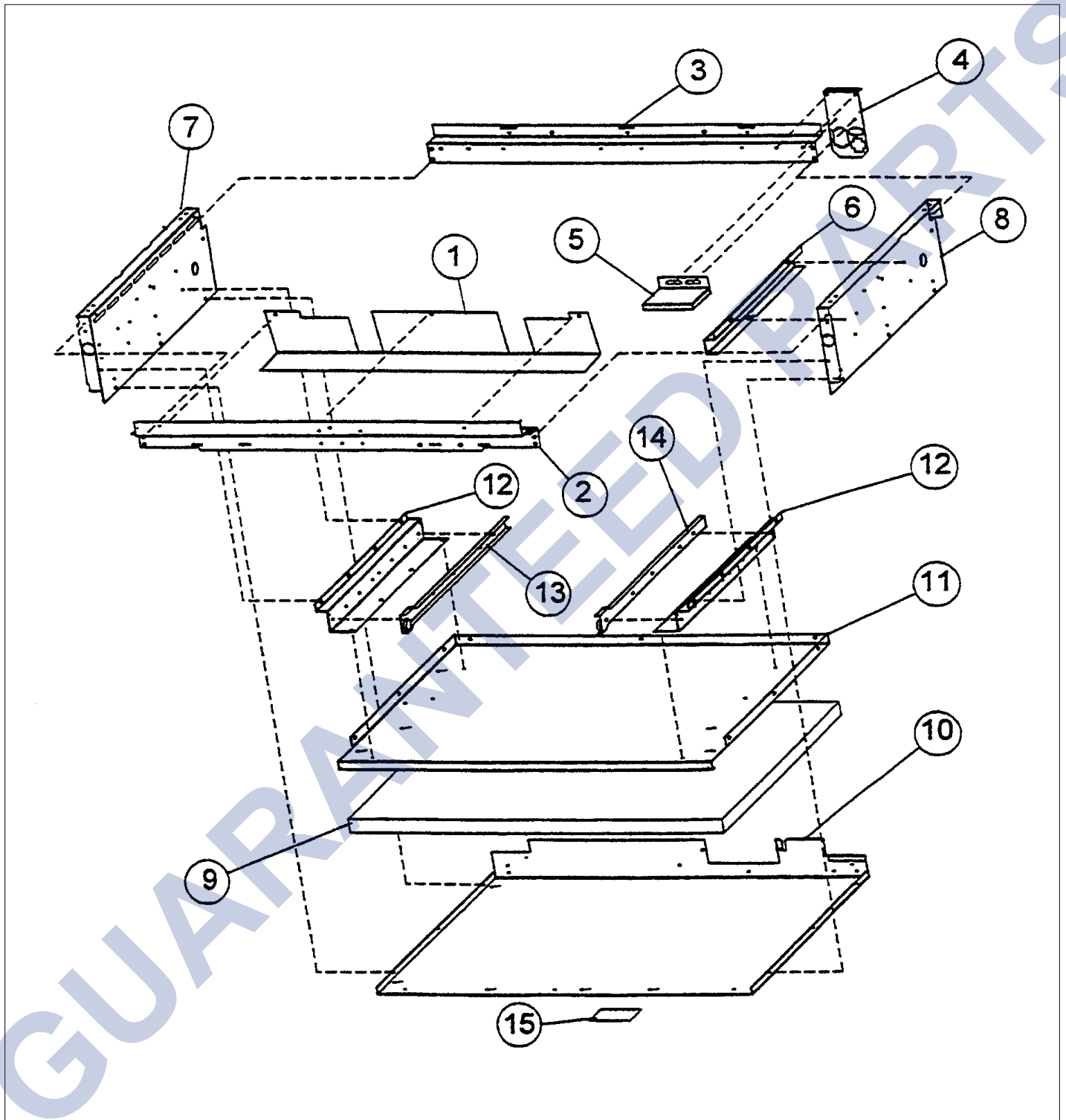
DRIP TRAY ASSY



| Item | Part No. | Name | Qty | Uom | NOTES |
|------|-------------|--|-----|-----|---|
| 1 | G4002752 | DRIP TRAY GROUND WIRE (VDSC) | 1 | EA | |
| | NOTE | (MUST PLUG INTO WELD TAB ON REAR OF DRIP TRAY) | | EA | |
| 2 | G3002599 | DRIP TRAY (VDSC305) | 1 | EA | |
| 3 | PD020049 | #10 X 1 1/4 PH. PAN HD. T(A) | 1 | EA | |
| 4 | PD040028 | BUSHING(.194ID/.750OD/.750LONG) | 1 | EA | |
| 5 | B2002589 | DRIP TRAY HAN BACK PLATE (VDSC30) | 1 | EA | NO LONGER AVAILABLE, Not available online / Call for pricing and availability |
| 6 | B3006772 | VDSC307 FALSE TRAY HANDLE WELDED | 1 | EA | Not available online / Call for pricing and availability |
| 6 | C9306772PVD | VDSC307 FALSE TRAY HANDLE *PVD* | 1 | EA | NO LONGER AVAILABLE, Not available online / Call for pricing and availability |
| 7 | PD040004 | GROMMET BUMPER | 1 | EA | |
| NI | A2006777 | VDSC307 TRAY HANDLE BRKT. -LH | 1 | EA | NO LONGER AVAILABLE, Not available online / Call for pricing and availability |

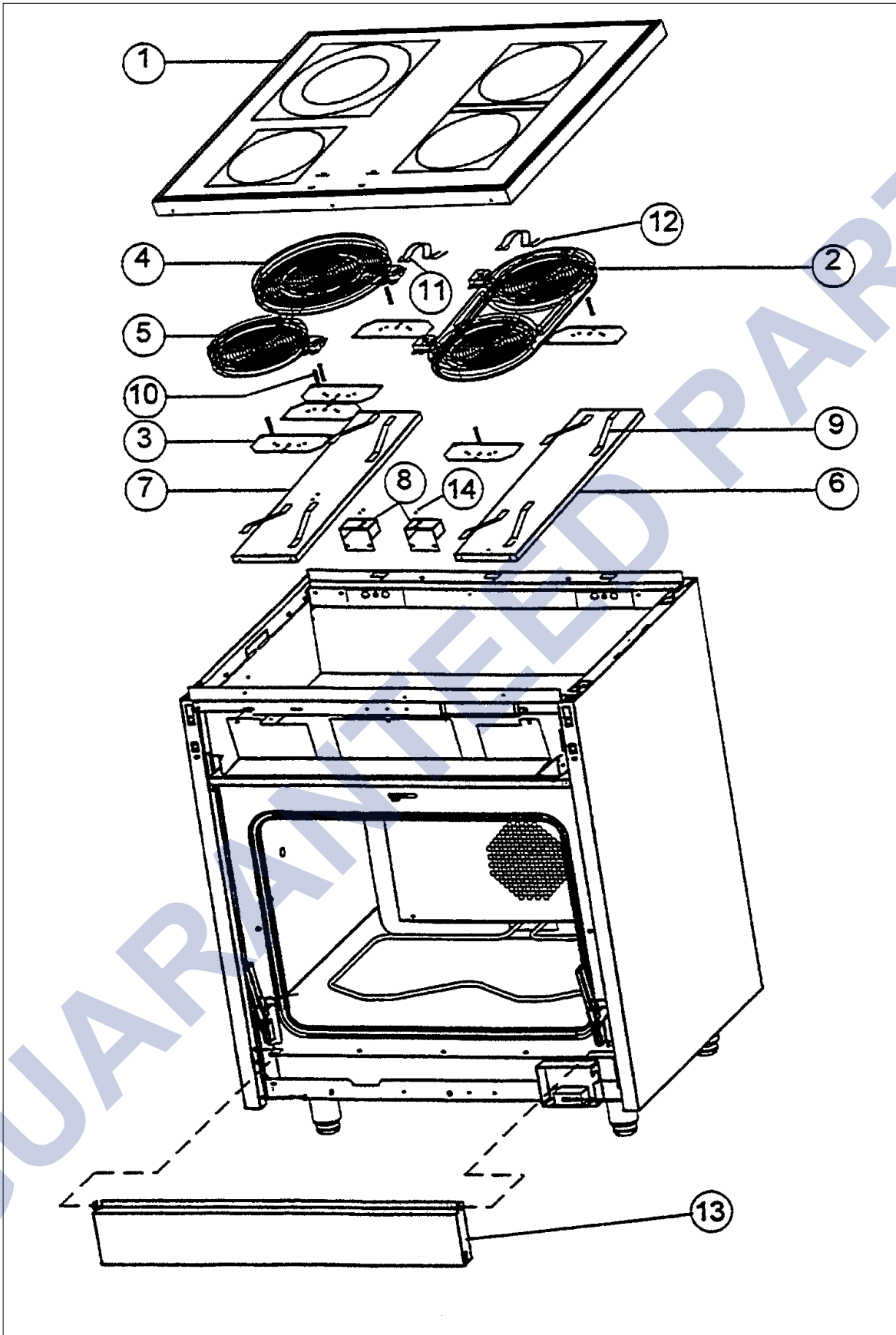
GUARANTEED PARTS

EXTERIOR ASSY VIEW 1



| Item | Part No. | Name | Qty | Uom | NOTES |
|------|----------|---------------------------------------|-----|-----|---|
| 1 | A2003004 | CTRL PAN SHIELD (VESC305-4B) | 1 | EA | NO LONGER AVAILABLE, Not available online / Call for pricing and availability |
| 2 | A2003007 | FRONT SUPT (VESC305-4B) | 1 | EA | |
| 3 | A2003008 | REAR SUPT (VESC305-4B) | 1 | EA | NO LONGER AVAILABLE |
| 4 | A1002492 | PLUG BRKT | 1 | EA | NO LONGER AVAILABLE, Not available online / Call for pricing and availability |
| 5 | A2000667 | SHIELD - OUTLET VRTR | 1 | EA | NO LONGER AVAILABLE |
| 6 | A2000210 | WIRE CHANNEL | 1 | EA | NO LONGER AVAILABLE, Not available online / Call for pricing and availability |
| 7 | A2002491 | BURNER BOX SIDE LH (VDSC) | 1 | EA | NO LONGER AVAILABLE, Not available online / Call for pricing and availability |
| 8 | A2002490 | BURNER BOX SIDE RH (VDSC) | 1 | EA | NO LONGER AVAILABLE |
| 9 | PB070034 | INSULATION-TRS-10 1" X 20" X 77' ROLL | 1 | EA | NO LONGER AVAILABLE |
| 10 | A2002496 | BURNER BOX BTM (VDSC30) | 1 | EA | NO LONGER AVAILABLE, Not available online / Call for pricing and availability |
| 11 | A2001401 | INSULATION PANEL | 1 | EA | NO LONGER AVAILABLE, Not available online / Call for pricing and availability |
| 12 | A2001160 | DRIP TRAY GUIDE BRKT (VGRT) | 1 | EA | |
| 13 | PK000007 | DRIP TRAY GUIDE - LH (VGRT) | 1 | EA | NO LONGER AVAILABLE |
| 14 | PK000008 | Drip Tray Guide - RH | 1 | EA | NO LONGER AVAILABLE |
| 15 | PE020047 | RATING LABEL | 1 | EA | |

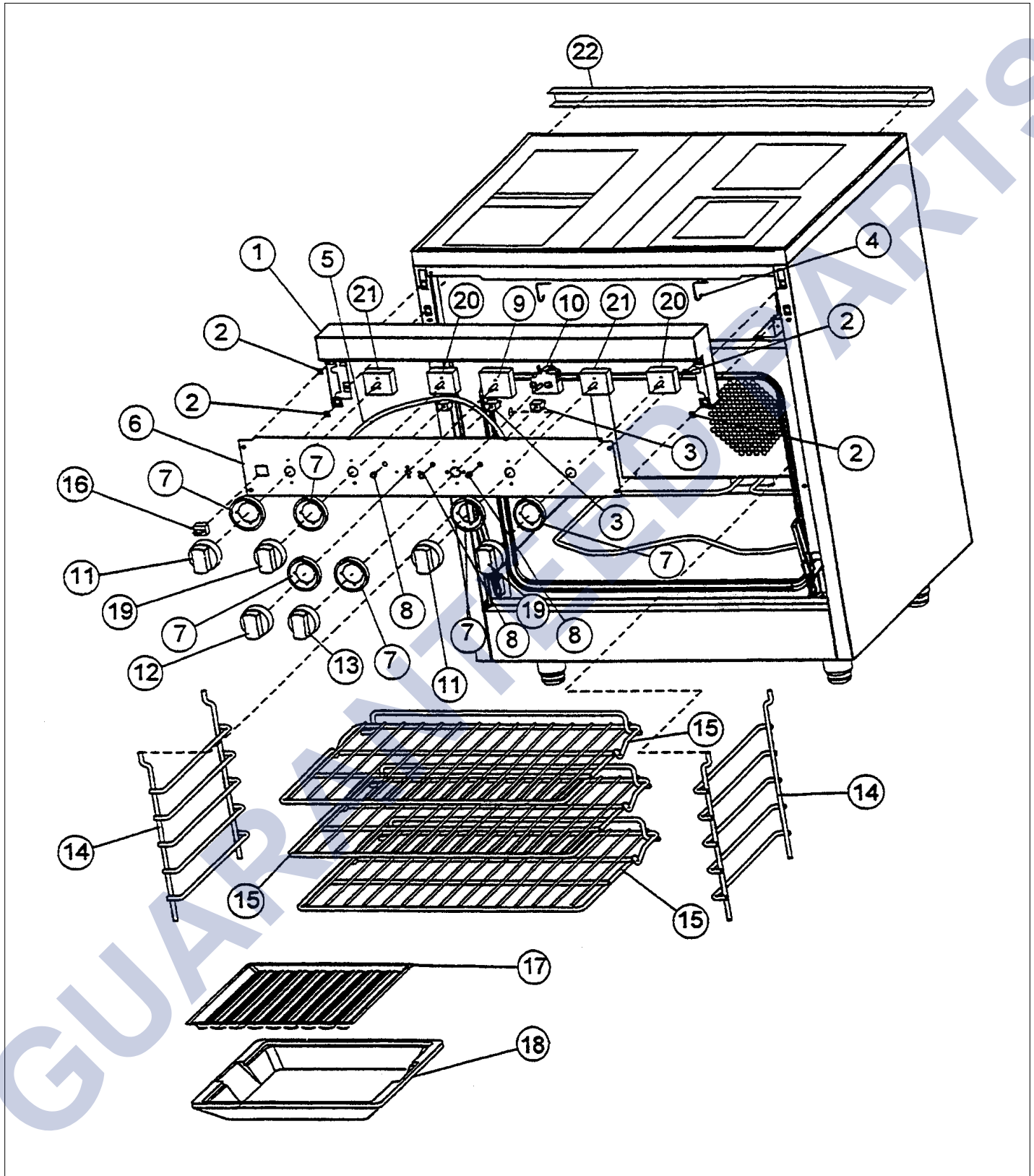
EXTERIOR ASSY VIEW 2



| Item | Part No. | Name | Qty | Uom | NOTES |
|------|------------|------------------------------------|-----|------|---|
| 1 | G5007437BK | CERAMIC TOP FRAME ASSY *BK* | 1 | EA | |
| 1 | G5007437WH | CERAMIC TOP FRAME ASSY *WH* | 1 | EA | |
| 2 | 079358-000 | Bridge element replacement kit | 1 | EACH | |
| 3 | PD040033 | ELEMENT SHOULDER | 1 | EA | NO LONGER AVAILABLE, Not available online / Call for pricing and availability |
| 4 | PJ020001 | ELEMENT-2400(1000) | 1 | EA | |
| 5 | 076900-000 | ASM, ELEMENT, RIBBON - 1500W | 1 | EA | |
| 6 | A2003020 | ELEMENT SUPT RH (VESC305- 4B) | 1 | EA | NO LONGER AVAILABLE, Not available online / Call for pricing and availability |
| 7 | A2003019 | ELEMENT SUPT LH (VESC305- 4B) | 1 | EA | NO LONGER AVAILABLE, Not available online / Call for pricing and availability |
| 8 | A2007938 | LIGHT BRACKET | 1 | EA | NO LONGER AVAILABLE |
| 9 | C2003001 | ELEMENT SPRING (VESC305- 4B) | 1 | EA | NO LONGER AVAILABLE |
| 10 | PD040032 | SPACER (VESC/VERT) (1/4 X 1/4) | 1 | EA | NO LONGER AVAILABLE, Not available online / Call for pricing and availability |
| 11 | PE070174 | ELEMENT HARNESS-LH (VESC305-4B) | 1 | EA | |
| 12 | PE070175 | ELEMENT HARNESS-RH (VESC305-4B) | 1 | EA | |
| 13 | B2001815 | LOWER ACC PAN - (VGRC605) | 1 | EA | |
| 13 | C9001815AL | LOWER ACC PAN - *AL* (VGRC605) | 1 | EA | Not available online / Call for pricing and availability |
| 13 | C9001815BK | LOWER ACC PAN - *BK* (VGRC605) | 1 | EA | |
| 13 | C9001815BT | LOWER ACC PAN - *BT* (VGRC605) | 1 | EA | NO LONGER AVAILABLE |

| Item | Part No. | Name | Qty | Uom | NOTES |
|------|------------|--------------------------------|-----|-----|---|
| 13 | C9001815BU | LOWER ACC PAN - *BU* (VGRC605) | 1 | EA | Not available online / Call for pricing and availability |
| 13 | C9001815CB | LOWER ACC PAN - *CB* (VGRC605) | 1 | EA | Not available online / Call for pricing and availability |
| 13 | C9001815EP | LOWER ACC PAN - *EP* (VGRC605) | 1 | EA | NO LONGER AVAILABLE, Not available online / Call for pricing and availability |
| 13 | C9001815FG | LOWER ACC PAN - *FG* (VGRC605) | 1 | EA | NO LONGER AVAILABLE, Not available online / Call for pricing and availability |
| 13 | C9001815GG | LOWER ACC PAN - *GG* (VGRC605) | 1 | EA | NO LONGER AVAILABLE |
| 13 | C9001815LE | LOWER ACC PAN - *LE* (VGRC605) | 1 | EA | NO LONGER AVAILABLE |
| 13 | C9001815MJ | LOWER ACC PAN - *MJ* (VGRC605) | 1 | EA | NO LONGER AVAILABLE, Not available online / Call for pricing and availability |
| 13 | C9001815SG | LOWER ACC PAN - *SG* (VGRC605) | 1 | EA | |
| 13 | C9001815VB | LOWER ACC PAN - *VB* (VGRC605) | 1 | EA | NO LONGER AVAILABLE |
| 13 | C9001815WH | LOWER ACC PAN - *WH* (VGRC605) | 1 | EA | |
| 14 | PE050077 | INDICATOR LIGHT | 1 | EA | |
| NI | PE070308 | PRE-HEAT BOARD | 1 | EA | |
| NI | PE070321 | RANGE PREHEAT HARNESS | 1 | EA | |
| NI | PA050086 | 5/8" MALE FLARE FITTING | 1 | EA | Not available online / Call for pricing and availability |

EXTERIOR ASSY VIEW 3



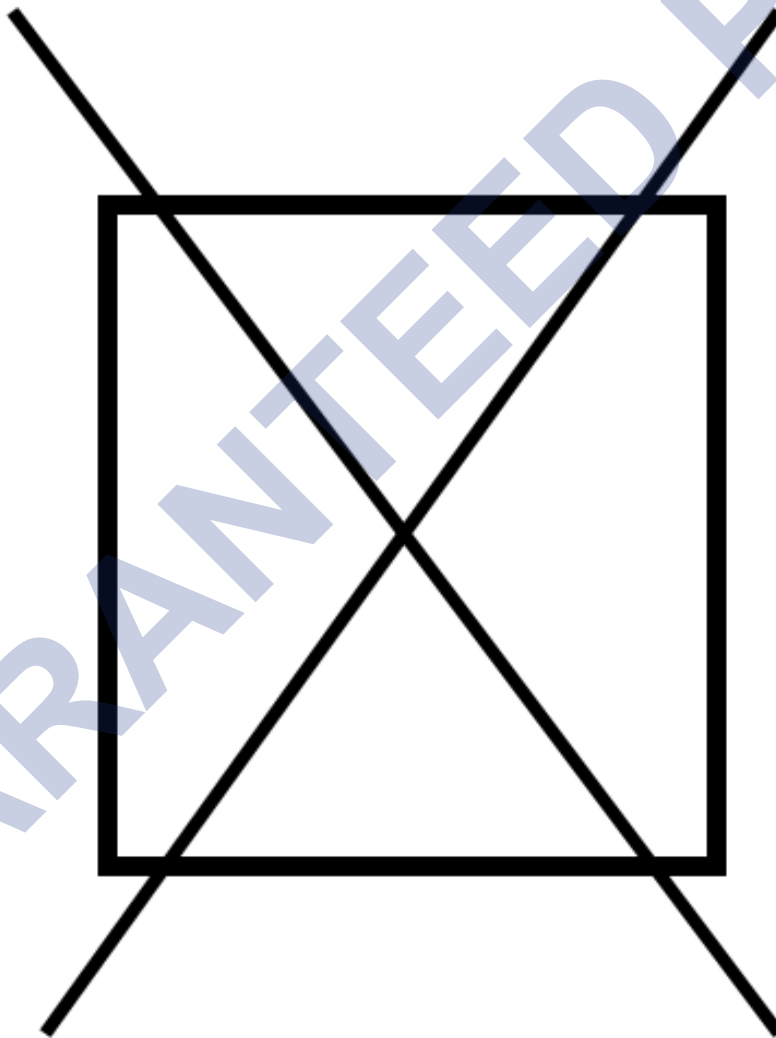
| Item | Part No. | Name | Qty | Uom | NOTES |
|------|------------|--|-----|-----|----------------------|
| 1 | G3001406 | LANDING LEDGE ASSY - NLA | | EA | |
| 2 | PD030005 | SELF RETAINING NUT | | EA | |
| 3 | PE050024 | OVEN IND. LIGHT (LIGHT HOUSING) | | EA | |
| 4 | PD030032 | WIRE CLIP | | EA | |
| 5 | PE070152 | CTRL PAN "RESTRAINING" STRAP | | EA | NO LONGER AVAILABLE |
| 6 | B92010452 | CONTROL PANEL - VESC30" | | EA | |
| 7 | 050172-000 | BEZEL, KNOB | | EA | |
| 7 | PB010209 | Bezel - BR | | EA | |
| 8 | PE050023 | OVEN IND. LIGHT (LENS & BEZEL) | | EA | NO LONGER AVAILABLE |
| 9 | PJ030001 | SELECTOR SWITCH (8-POSITION) VDSC | | EA | |
| 10 | PJ030003 | THERMOSTAT (SELF CLEAN) VDSC | | EA | |
| | NOTE | (Before 02/02/05) | | EA | |
| 10 | PS500032 | PJ030031 THERMOSTAT AND ROLL PIN SERVICE KIT | | EA | See 2005-03 Bulletin |
| | NOTE | (After 02/02/05) | | EA | |
| 11 | PB010143 | KNOB-DUAL INFINITE SWITCH *BK* | | EA | NO LONGER AVAILABLE |
| 11 | PB010144 | KNOB - DUAL INFINITE SWITCH WH | | EA | |
| 12 | PB010230 | OVEN SELECT. KNOB*BK* VDSC307 | | EA | |
| 12 | PB010132 | SELECTOR KNOB *WH* (VDSC) | | EA | NO LONGER AVAILABLE |
| 13 | PB010129 | THERMOSTAT KNOB *BK* (VDSC) | | EA | |
| 13 | PB010130 | THERMOSTAT KNOB *WH* (VDSC) | | EA | |
| 14 | PB060030 | RACK SUPT REPL PB060010 | | EA | |
| 15 | PB060044 | OVEN RK VDSC30/48RH REPL PB060019 | | EA | |
| 16 | 077728-000 | TOGGLE SWITCH KIT, See Bulletin 2021-01P | | EA | |
| 16 | PE050017 | OVEN LIGHT SWITCH - *WH* (WES-GAR) | | EA | NO LONGER AVAILABLE |

| Item | Part No. | Name | Qty | Uom | NOTES |
|------|-----------|--------------------------------------|-----|-----|---------------------|
| 17 | E9107933 | BROILER PAN | 1 | EA | NO LONGER AVAILABLE |
| 18 | E9107934 | BROILER PAN INSERT - NLA | 1 | EA | |
| 19 | PB010145 | KNOB - SINGLE INFINITE SWITCH BLACK | | EA | |
| 19 | PB010146 | KNOB-SINGLE INFINITE SWITCH *WH* | | EA | |
| 20 | PJ030007 | INFINITE SWITCH | | EA | |
| 21 | G50013538 | PJ030027 INFINITE SWITCH SERVICE KIT | | EA | |
| 22 | B2002762 | REAR FRAME TRIM (VESC) | | EA | NO LONGER AVAILABLE |

GUARANTEED PARTS

FUNCTIONAL PARTS

NON
ILLUSTRATED PART

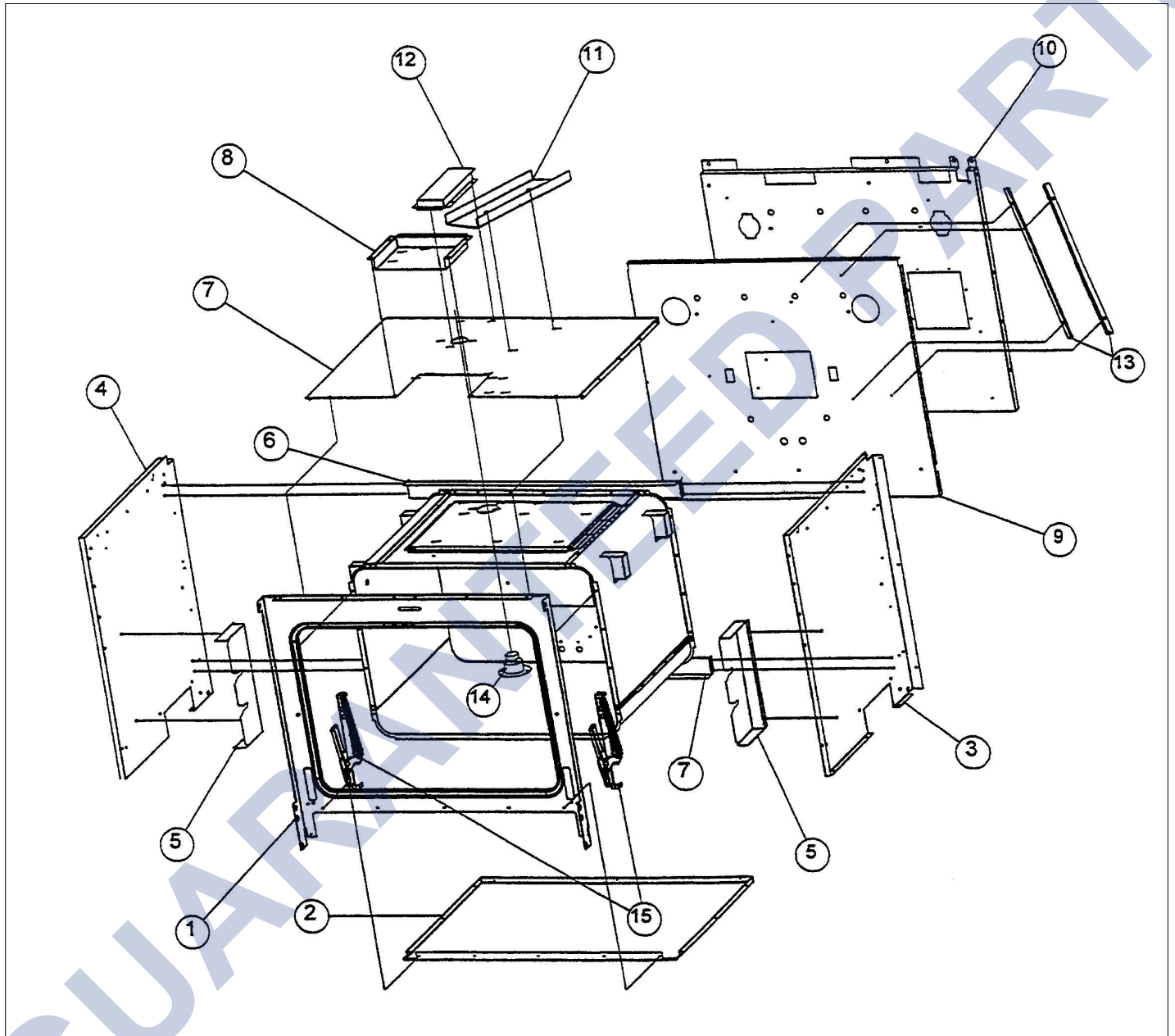


| Item | Part No. | Name | Qty | Uom | NOTES |
|------|------------|--|-----|------|---------------------|
| 1 | PM010025 | RELAY (DOUBLE POLE-DOUBLE THROW) | 1 | EA | |
| NI | PE070786 | ELECTRONIC CONTROL BOARD | 1 | EA | |
| 2 | PJ030002 | AUTO RESET (SELF-CLEAN) VDSC | 1 | EA | |
| 3 | PJ010004 | BAKE ELEMENT (VDSC) 240V | 1 | EA | |
| 4 | PJ010001 | BROIL ELEMENT 240V | 1 | EA | |
| 5 | PJ010002 | BROIL ELEMENT(MAXI)-SIDE (VDSC)240V | 1 | EA | |
| 6 | PJ010003 | CONVECTION ELEMENT (VDSC) 240V | 1 | EA | NO LONGER AVAILABLE |
| 7 | PE050005 | CONVECTION FAN ASSY | 1 | EA | |
| 8 | PJ030006 | SWITCH (COOLING FAN) | 1 | EA | |
| 9 | PE050053 | DR LATCH REPL PE050020 | 1 | EA | |
| 10 | G50013538 | PJ030027 INFINITE SWITCH SERVICE KIT | 1 | EA | |
| 11 | 076900-000 | ASM, ELEMENT, RIBBON - 1500W | 1 | EA | |
| 12 | PJ020001 | ELEMENT-2400(1000) | 1 | EA | |
| 13 | 079358-000 | Bridge element replacement kit | 1 | EACH | |
| 14 | PE070174 | ELEMENT HARNESS-LH (VESC305-4B) | 1 | EA | |
| 15 | PE070175 | ELEMENT HARNESS-RH (VESC305-4B) | 1 | EA | |
| 16 | PJ030005 | SWITCH (HIGH-LIMIT) VDSC | 1 | EA | NO LONGER AVAILABLE |
| 17 | PJ030007 | INFINITE SWITCH | 1 | EA | |
| 18 | PE050077 | INDICATOR LIGHT | 1 | EA | |
| 19 | 031449-000 | LAMP, ASM | 1 | EA | |
| 20 | 077728-000 | TOGGLE SWITCH KIT, See Bulletin 2021-01P | 1 | EA | |
| 21 | PE050017 | OVEN LIGHT SWITCH - *WH* (WES-GAR) | 1 | EA | NO LONGER AVAILABLE |
| 22 | PE070321 | RANGE PREHEAT HARNESS | 1 | EA | |
| 23 | PE070308 | PRE-HEAT BOARD | 1 | EA | |
| 24 | PM010025 | RELAY (DOUBLE POLE-DOUBLE THROW) | 1 | EA | |

| Item | Part No. | Name | Qty | Uom | NOTES |
|------|----------|-----------------------------------|-----|-----|-------|
| 25 | PM010025 | RELAY (DOUBLE POLE-DOUBLE THROW) | 1 | EA | |
| 26 | PJ030001 | SELECTOR SWITCH (8-POSITION) VDSC | 1 | EA | |
| 27 | PE070148 | SELF-CLEAN BOARD/TIMER (VDSC) | 1 | EA | |
| 28 | PM010014 | SMOKE ELIMINATOR (VDSC) | 1 | EA | |
| 29 | PE070147 | TERMINAL BLOCK (VDSC) | 1 | EA | |
| 30 | PJ030003 | THERMOSTAT (SELF CLEAN) VDSC | 1 | EA | |

GUARANTEED PARTS

OVEN CAVITY (INSUL. RETNR) ASSY

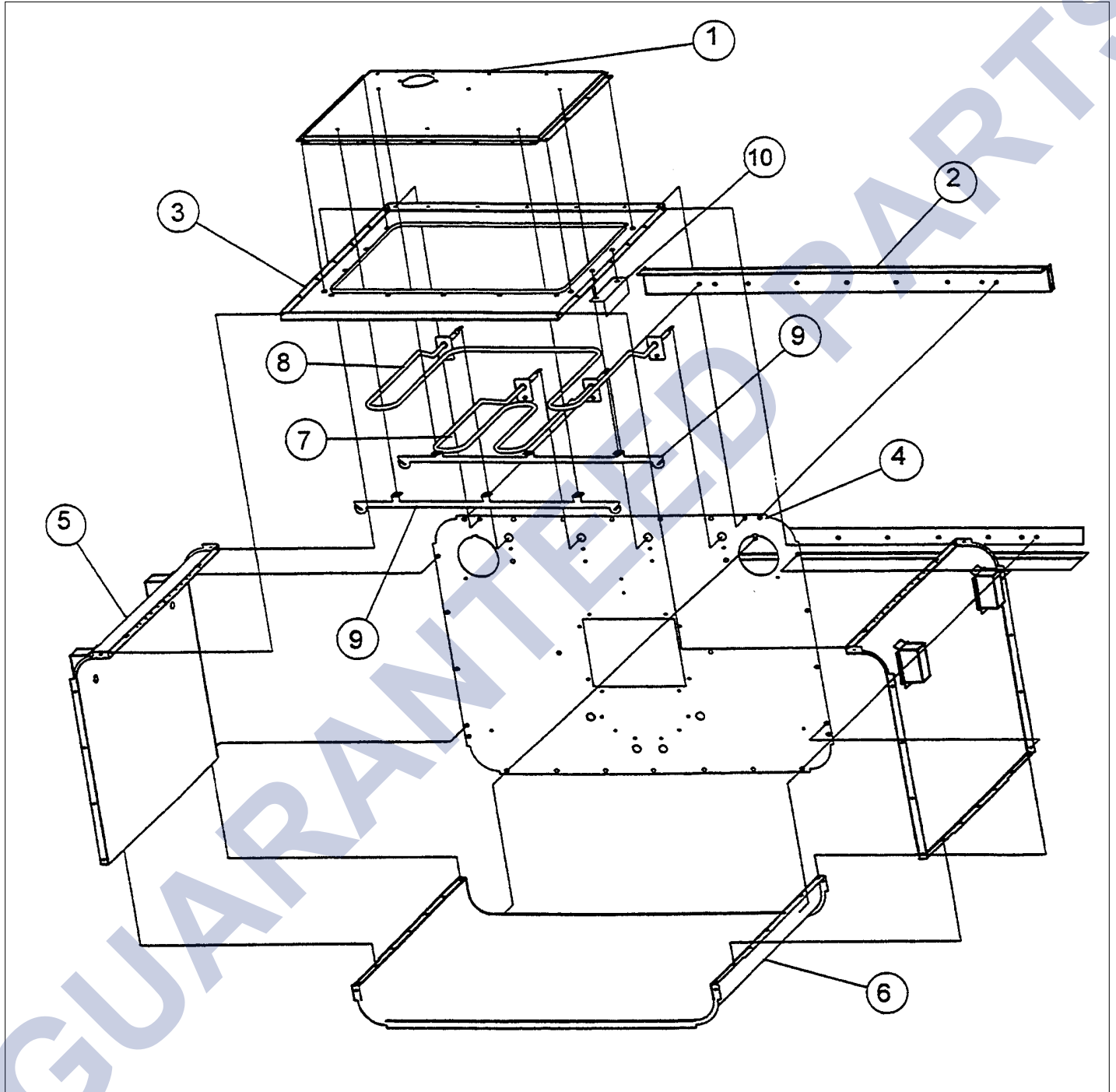


| Item | Part No. | Name | Qty | Uom | NOTES |
|------|----------|--------------------------------------|-----|-----|---|
| 1 | G9102743 | OVEN FRONT FRAME ASSY (VDSC30) | 1 | EA | Not available online / Call for pricing and availability |
| 2 | A2002157 | OVEN BTM INSUL.RETAINER (VDSC) | 1 | EA | NO LONGER AVAILABLE, Not available online / Call for pricing and availability |
| 3 | A2002155 | OVEN SIDE INSUL.RETAINER-RH(VDSC) | 1 | EA | NO LONGER AVAILABLE, Not available online / Call for pricing and availability |
| 4 | A2002156 | OVEN SIDE INSUL.RETAINER-LH(VDSC) | 1 | EA | NO LONGER AVAILABLE, Not available online / Call for pricing and availability |
| 5 | A2002183 | HINGE INSULATION COVER (VDSC) | 1 | EA | |
| 6 | A2002158 | REAR OVEN SUPT (VDSC) | 1 | EA | NO LONGER AVAILABLE, Not available online / Call for pricing and availability |
| 7 | A2002160 | OVEN TOP INSUL.RETAINER (VDSC) | 1 | EA | NO LONGER AVAILABLE, Not available online / Call for pricing and availability |
| 8 | A2002168 | DOOR LATCH BRKT (VDSC) | 1 | EA | |
| 9 | A2002476 | OVEN BACK INSULATION RETAINER (VDSC) | 1 | EA | NO LONGER AVAILABLE, Not available online / Call for pricing and availability |
| 10 | A2002159 | O/S BACK (VDSC) | 1 | EA | NO LONGER AVAILABLE, Not available online / Call for pricing and availability |
| 11 | A2002450 | LATCH COOLING DUCT (VDSC) | 1 | EA | NO LONGER AVAILABLE, Not available online / Call for pricing and availability |
| 12 | A2002479 | SMOKE ELIMINATOR VENT (VDSC) | 1 | EA | |

| Item | Part No. | Name | Qty | Uom | NOTES |
|------|----------|---|-----|-----|---|
| 13 | A2002477 | AIR WASH ANGLE (VDSC) | 1 | EA | NO LONGER AVAILABLE, Not available online / Call for pricing and availability |
| 14 | PM010014 | SMOKE ELIMINATOR (VDSC) | 1 | EA | |
| 15 | PC020009 | HINGE ASSY (BROWN) (MUST ORDER 2 PD020033 SCREW WHEN REPLACING HINGE) | 1 | EA | |

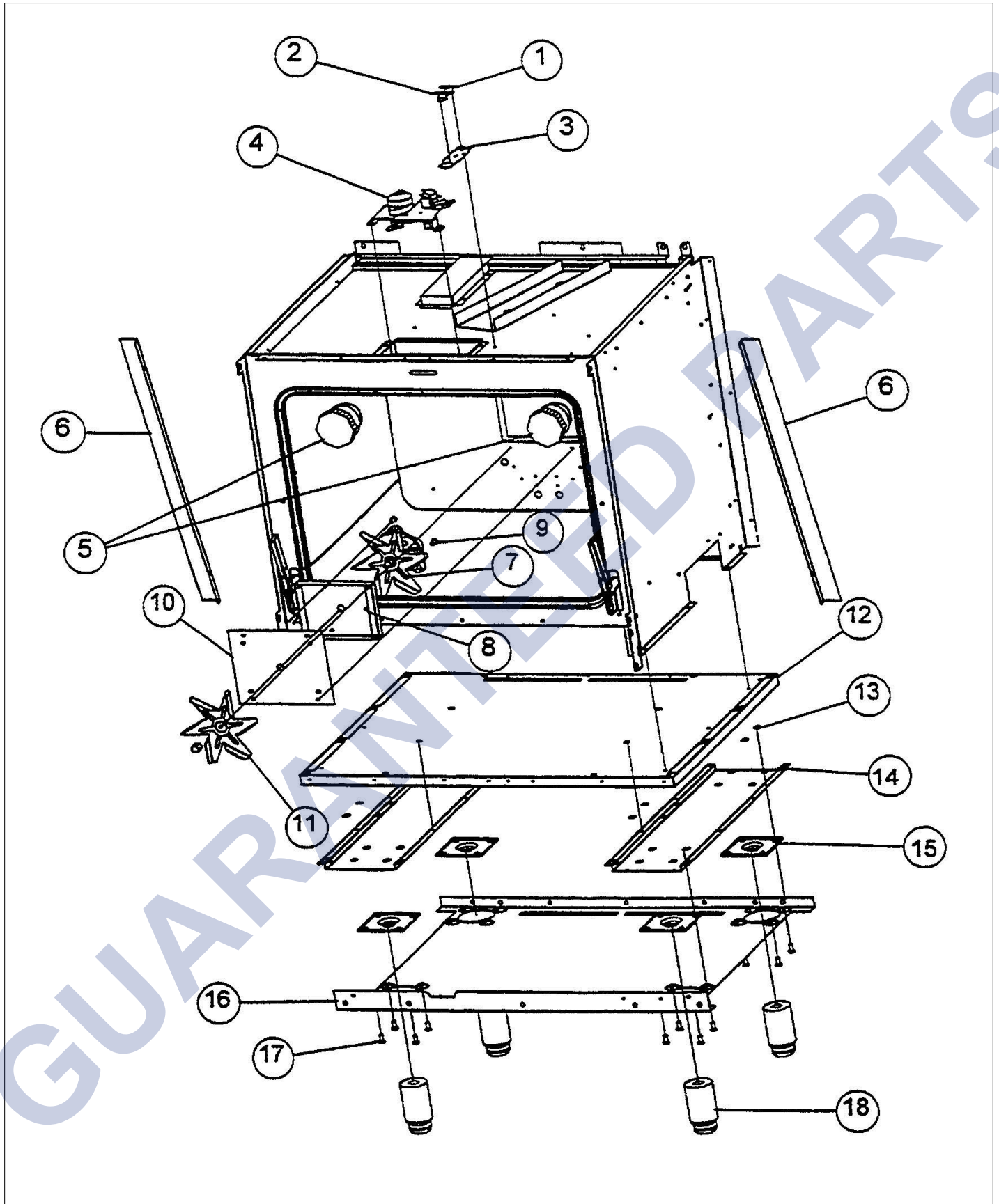
GUARANTEED PARTS

OVEN CAVITY ASSY



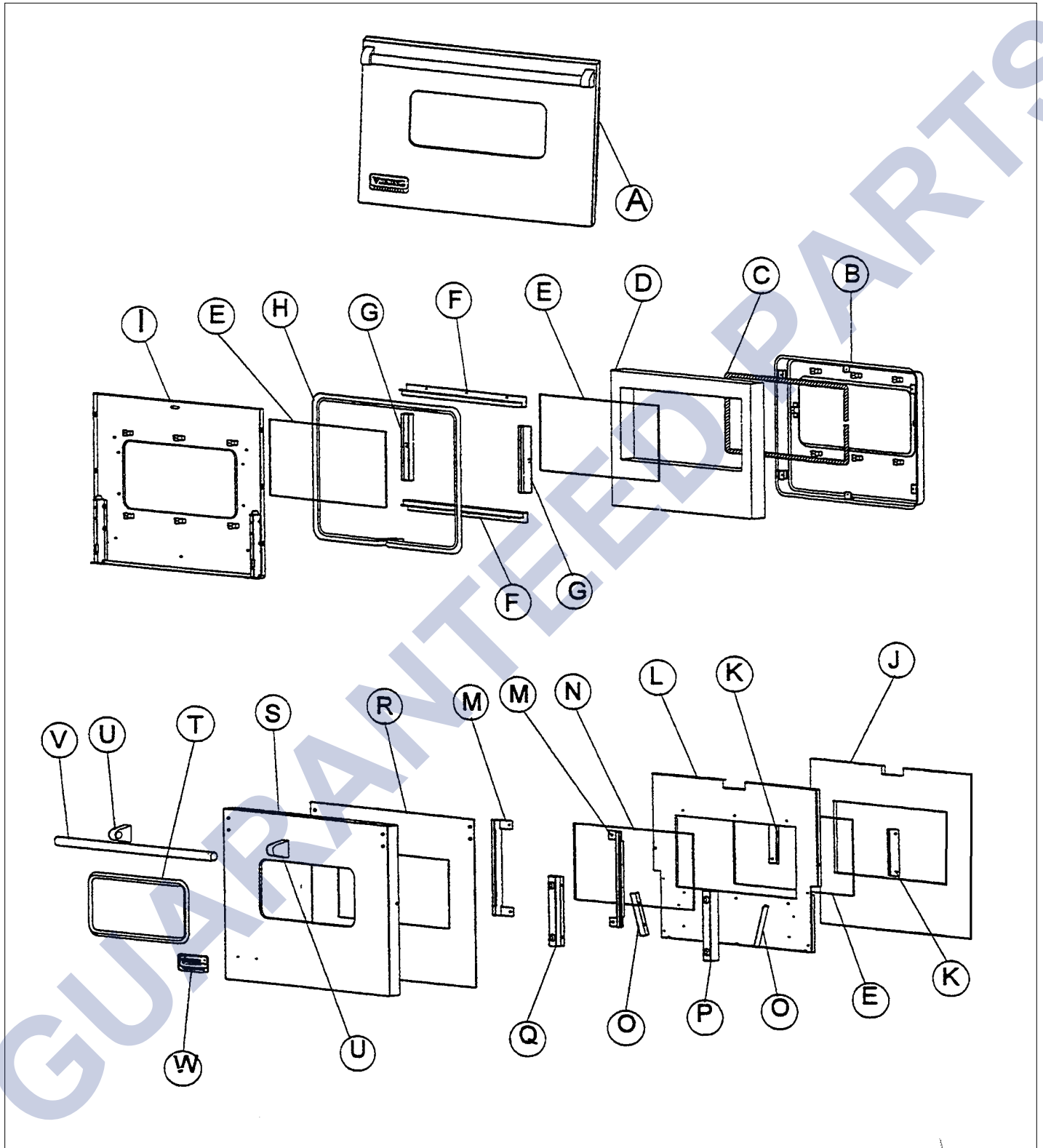
| Item | Part No. | Name | Qty | Uom | NOTES |
|------|----------|-------------------------------------|-----|-----|---|
| 1 | B2002167 | BROILER TOP (VDSC) | 1 | EA | NO LONGER AVAILABLE |
| 2 | A2002158 | REAR OVEN SUPT (VDSC) | 1 | EA | NO LONGER AVAILABLE, Not available online / Call for pricing and availability |
| 3 | E9102153 | OVEN TOP (VDSC) | 1 | EA | NO LONGER AVAILABLE |
| 4 | E9102741 | OVEN BACK (VDSC30) | 1 | EA | NO LONGER AVAILABLE, Not available online / Call for pricing and availability |
| 5 | G9102736 | OVEN SIDE ASSY (VDSC) | 1 | EA | NO LONGER AVAILABLE, Not available online / Call for pricing and availability |
| 6 | E9102152 | OVEN BTM (VDSC) | 1 | EA | NO LONGER AVAILABLE |
| 7 | PJ010001 | BROIL ELEMENT 240V | 1 | EA | |
| 8 | PJ010002 | BROIL ELEMENT(MAXI)-SIDE (VDSC)240V | 1 | EA | |
| 9 | B2002185 | BROIL ELEMENT BRKT (VDSC) | 1 | EA | |
| NI | PD020003 | #10 X 1/2 T(A) HEX WASHER HEAD | 1 | EA | |
| NI | PD020048 | NO.10 X 1/2 TEK 410 SS SCREW | 1 | EA | |
| 10 | B2002489 | THERMAL BULB SHIELD (VDSC) | 1 | EA | |

OVEN CAVITY ASSY (TOP & BOTTOM)



| Item | Part No. | Name | Qty | Uom | NOTES |
|------|------------|--------------------------------|-----|-----|---------------------|
| 1 | PJ030005 | SWITCH (HIGH-LIMIT) VDSC | 1 | EA | NO LONGER AVAILABLE |
| | NOTE | (MOUNT TO REAR BRACKET) | | EA | |
| 2 | PJ030006 | SWITCH (COOLING FAN) | 1 | EA | |
| | NOTE | (MOUNT TO FRONT OF BRACKET) | | EA | |
| 3 | A1002456 | THERMO-DISC BRKT (VDSC) | 1 | EA | |
| 4 | PE050053 | DR LATCH REPL PE050020 | 1 | EA | |
| 5 | 031449-000 | LAMP, ASM | 1 | EA | |
| 6 | A2002475 | SIDE PANEL DIVERTER (VDSC) | 1 | EA | NO LONGER AVAILABLE |
| 7 | PE050005 | CONVECTION FAN ASSY | 1 | EA | |
| 8 | A2002595 | CONVECTION FAN BOX (VDSC) | 1 | EA | |
| 9 | PD020003 | #10 X 1/2 T(A) HEX WASHER HEAD | 1 | EA | |
| 10 | A1002596 | CONVECTION FAN COVER (VDSC) | 1 | EA | |
| 11 | PE050005 | CONVECTION FAN ASSY | 1 | EA | |
| 12 | A2002481 | BTM INSULATION SHIELD (VDSC) | 1 | EA | |
| 13 | PD030029 | SELF RETAINING NUT (1/4-20) | 1 | EA | |
| 14 | A2002482 | LEG BRACE (VDSC) | 1 | EA | NO LONGER AVAILABLE |
| 15 | PC030007 | PLATE,LEG | 1 | EA | |
| 16 | A2002480 | MAIN BTM (VDSC) | 1 | EA | NO LONGER AVAILABLE |
| 17 | PD010006 | HEX HD. BOLT - 1/4-20 X 1/2 | 1 | EA | |
| 18 | PC030017 | 4" LEG ASSY | 1 | EA | |

OVEN DOOR ASSY



| Item | Part No. | Name | Qty | Uom | NOTES |
|------|--------------|------------------------------------|-----|-----|---|
| A | G3202172AL | DOOR SUB-ASSY-*AL* (VDSC30) | 1 | EA | NO LONGER AVAILABLE, Not available online / Call for pricing and availability |
| A | G3202172ALBR | DOOR SUB-ASSY-*AL**BR* VDSC30 | 1 | EA | NO LONGER AVAILABLE, Not available online / Call for pricing and availability |
| A | G3202172BK | DOOR SUB-ASSY-*BK* (VDSC30) | 1 | EA | NO LONGER AVAILABLE |
| A | G3202172BKBR | DOOR SUB-ASSY-*BK**BR* (VDSC30) | 1 | EA | NO LONGER AVAILABLE, Not available online / Call for pricing and availability |
| A | G3202172BT | DOOR SUB-ASSY-*BT* (VDSC30) | 1 | EA | NO LONGER AVAILABLE, Not available online / Call for pricing and availability |
| A | G3202172BTBR | COMPLETE DOOR ASSY. - BTBR | 1 | EA | Not available online / Call for pricing and availability |
| A | G3202172BU | DOOR SUB-ASSY-*BU* (VDSC30) | 1 | EA | NO LONGER AVAILABLE, Not available online / Call for pricing and availability |
| A | G3202172BUBR | DOOR SUB-ASSY-*BU**BR* (VDSC30) | 1 | EA | NO LONGER AVAILABLE, Not available online / Call for pricing and availability |
| A | G3202172CB | DOOR SUB-ASSY-*CB* (VDSC30) | 1 | EA | NO LONGER AVAILABLE, Not available online / Call for pricing and availability |
| A | G3202172CBBR | COMPLETE DOOR ASSY. - CBBR | 1 | EA | Not available online / Call for pricing and availability |
| A | G3202172EP | DOOR SUB-ASSY- *EP*(VDSC30) | 1 | EA | NO LONGER AVAILABLE |
| A | G3202172EPBR | COMPLETE DOOR ASSY. - EPBR | 1 | EA | Not available online / Call for pricing and availability |

| Item | Part No. | Name | Qty | Uom | NOTES |
|------|--------------|------------------------------------|-----|-----|---|
| A | G3202172FG | DOOR SUB-ASSY-*FG* (VDSC30) | 1 | EA | NO LONGER AVAILABLE, Not available online / Call for pricing and availability |
| A | G3202172FGBR | DOOR SUB-ASSY-*FG**BR* (VDSC30) | 1 | EA | NO LONGER AVAILABLE, Not available online / Call for pricing and availability |
| A | G3202172GG | DOOR SUB-ASSY-*GG* (VDSC30) | 1 | EA | NO LONGER AVAILABLE, Not available online / Call for pricing and availability |
| A | G3202172GGBR | COMPLETE DOOR ASSY. - GGBR | 1 | EA | Not available online / Call for pricing and availability |
| A | G3202172LE | DOOR SUB-ASSY-LE* (VDSC30) | 1 | EA | NO LONGER AVAILABLE, Not available online / Call for pricing and availability |
| A | G3202172LEBR | COMPLETE DOOR ASSY. - LEBR | 1 | EA | Not available online / Call for pricing and availability |
| A | G3202172MJ | DOOR SUB-ASSY-*MJ* (VDSC30) | 1 | EA | NO LONGER AVAILABLE, Not available online / Call for pricing and availability |
| A | G3202172MJBR | COMPLETE DOOR ASSY. - MJBR | 1 | EA | Not available online / Call for pricing and availability |
| A | G3202172SG | DOOR SUB-ASSY-*SG* (VDSC30) | 1 | EA | NO LONGER AVAILABLE |
| A | G3202172SGBR | COMPLETE DOOR ASSY. - SGBR | 1 | EA | Not available online / Call for pricing and availability |
| A | G3202172SS | DOOR SUB-ASSY-*SS* (VDSC30) | 1 | EA | NO LONGER AVAILABLE |
| A | G3202172SSBR | COMPLETE DOOR ASSY. - SSBR | 1 | EA | Not available online / Call for pricing and availability |

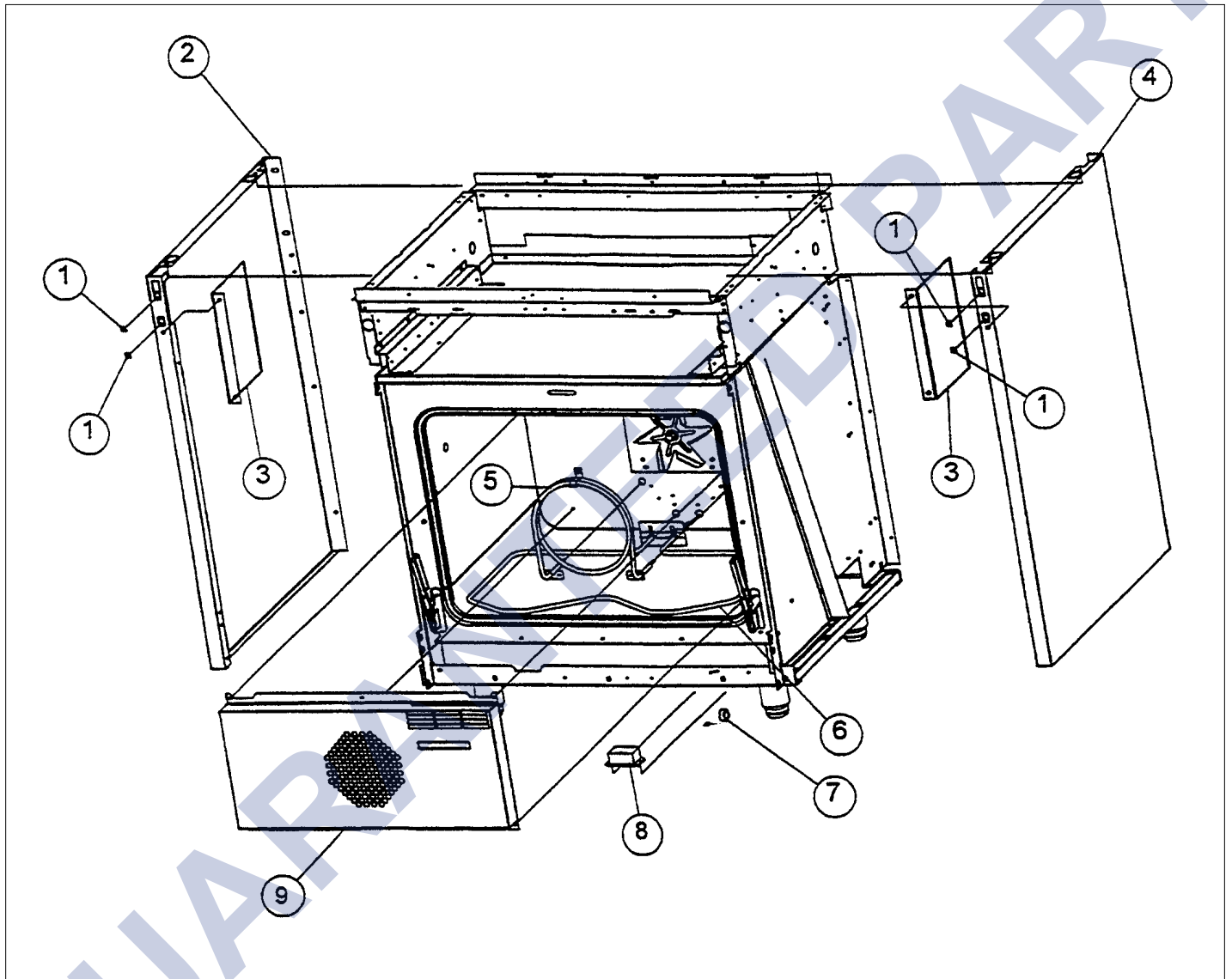
| Item | Part No. | Name | Qty | Uom | NOTES |
|------|--------------|--|-----|-----|---|
| A | G3202172VB | DOOR SUB-ASSY-*VB* (VDSC30) | 1 | EA | NO LONGER AVAILABLE, Not available online / Call for pricing and availability |
| A | G3202172VBBR | DOOR SUB-ASSY-*VB**BR* (VDSC30) | 1 | EA | NO LONGER AVAILABLE, Not available online / Call for pricing and availability |
| A | G3202172WH | DOOR SUB-ASSY-*WH* (VDSC30) | 1 | EA | |
| A | G3202172WHBR | DOOR SUB-ASSY-*WH**BR* (VDSC30) | 1 | EA | NO LONGER AVAILABLE, Not available online / Call for pricing and availability |
| B | G50010120 | VDSC305/VDSC485RH/VEESC305/VEESC306 DR LINER SVC-KIT | 1 | EA | |
| C | 000594-000 | BLACK FIBERGLASS ROPE | 1 | EA | |
| D | PB070076 | WOOL INSULATION 1" X 21" X 3' | 1 | EA | |
| E | PE060039 | GLASS-HEAT TREATED (HB2) VDSC | 1 | EA | |
| F | E9102178 | WINDOW LINER-TOP/BTM (VDSC) | 1 | EA | |
| G | E9102179 | WINDOW LINER-SIDE (VDSC) | 1 | EA | |
| H | 000623-000 | DOOR GASKET(3/8"DIA.) (VDSC) | 1 | EA | |
| I | G50010220 | DOOR LINER / PLUG SVC. KIT | 1 | EA | Not available online / Call for pricing and availability |
| J | PB070034 | INSULATION-TRS-10 1" X 20" X 77' ROLL | 1 | EA | NO LONGER AVAILABLE |
| K | A2002189 | DOOR GLASS STANDOFF (VDSC) | 1 | EA | |
| L | A2002169 | DOOR INSULATION RETAINER (VDSC30) | 1 | EA | |
| M | A2002367 | DOOR GLASS BRKT | 1 | EA | |
| N | PE060030 | GLASS-OUTER DOOR BK SCREENED, TEMP | 1 | EA | |
| O | A2002497 | DOOR GUIDE ANGLE VDSC | 1 | EA | |
| P | A2002498 | HINGE POCKET COVER RH | 1 | EA | |
| Q | A2002499 | HINGE POCKET COVER LH | 1 | EA | |

| Item | Part No. | Name | Qty | Uom | NOTES |
|------|------------|------------------------------|-----|-----|---|
| R | J1002594 | OVEN DR HEAT SINK (VDSC30) | 1 | EA | |
| S | B2002188 | O/S DOOR PANEL *SS* (VDSC30) | 1 | EA | |
| S | C9002188AL | O/S DOOR PANEL-*AL* (VDSC30) | 1 | EA | NO LONGER AVAILABLE, Not available online / Call for pricing and availability |
| S | C9002188BK | O/S DOOR PANEL-*BK* (VDSC30) | 1 | EA | |
| S | C9002188BT | O/S DOOR PANEL-*BT* (VDSC30) | 1 | EA | NO LONGER AVAILABLE, Not available online / Call for pricing and availability |
| S | C9002188BU | O/S DOOR PANEL-*BU* (VDSC30) | 1 | EA | Not available online / Call for pricing and availability |
| S | C9002188CB | O/S DOOR PANEL-*CB* (VDSC30) | 1 | EA | NO LONGER AVAILABLE |
| S | C9002188EP | O/S DOOR PANEL-*EP* (VDSC30) | 1 | EA | NO LONGER AVAILABLE, Not available online / Call for pricing and availability |
| S | C9002188FG | O/S DOOR PANEL-*FG* (VDSC30) | 1 | EA | NO LONGER AVAILABLE, Not available online / Call for pricing and availability |
| S | C9002188GG | O/S DOOR PANEL-*GG* (VDSC30) | 1 | EA | |
| S | C9002188LE | O/S DOOR PANEL-*LE* (VDSC30) | 1 | EA | NO LONGER AVAILABLE, Not available online / Call for pricing and availability |
| S | C9002188MJ | O/S DOOR PANEL-*MJ* (VDSC30) | 1 | EA | NO LONGER AVAILABLE, Not available online / Call for pricing and availability |
| S | C9002188SG | O/S DOOR PANEL-*SG* (VDSC30) | 1 | EA | NO LONGER AVAILABLE, Not available online / Call for pricing and availability |
| S | C9002188VB | O/S DOOR PANEL-*VB* (VDSC30) | 1 | EA | NO LONGER AVAILABLE |

| Item | Part No. | Name | Qty | Uom | NOTES |
|------|-------------|---|-----|-----|-------|
| T | PE060031 | J-MOLD (LARGE WINDOW) | 1 | EA | |
| T | PE060045 | J-MOLD (LARGE WINDOW) *BR* | 1 | EA | |
| U | 000268-000 | HANDLE ENDCAP | 1 | EA | |
| U | PE030001PVD | END CAP DOOR HANDLE *BR | 1 | EA | |
| V | PE030005 | DOOR HANDLE - VGSC30/RC60/RC48RH | 1 | EA | |
| V | PE030012PVD | DOOR HANDLE - RH - (30"/48") PVD | 1 | EA | |
| W | PE010016 | LOGO (ALL RANGES) *BK/CHR 307997W | 1 | EA | |
| W | PE010017 | LOGO (VGSO,VEDO,VGDO,VUD) *WH/CHR | 1 | EA | |
| W | PE010079 | 4.5" LOGO/VIKING PROF *BK/BR | 1 | EA | |
| W | PE010080 | 4.5" LOGO/VIKING PROF *WH/BR | 1 | EA | |

GUARANTEED PARTS

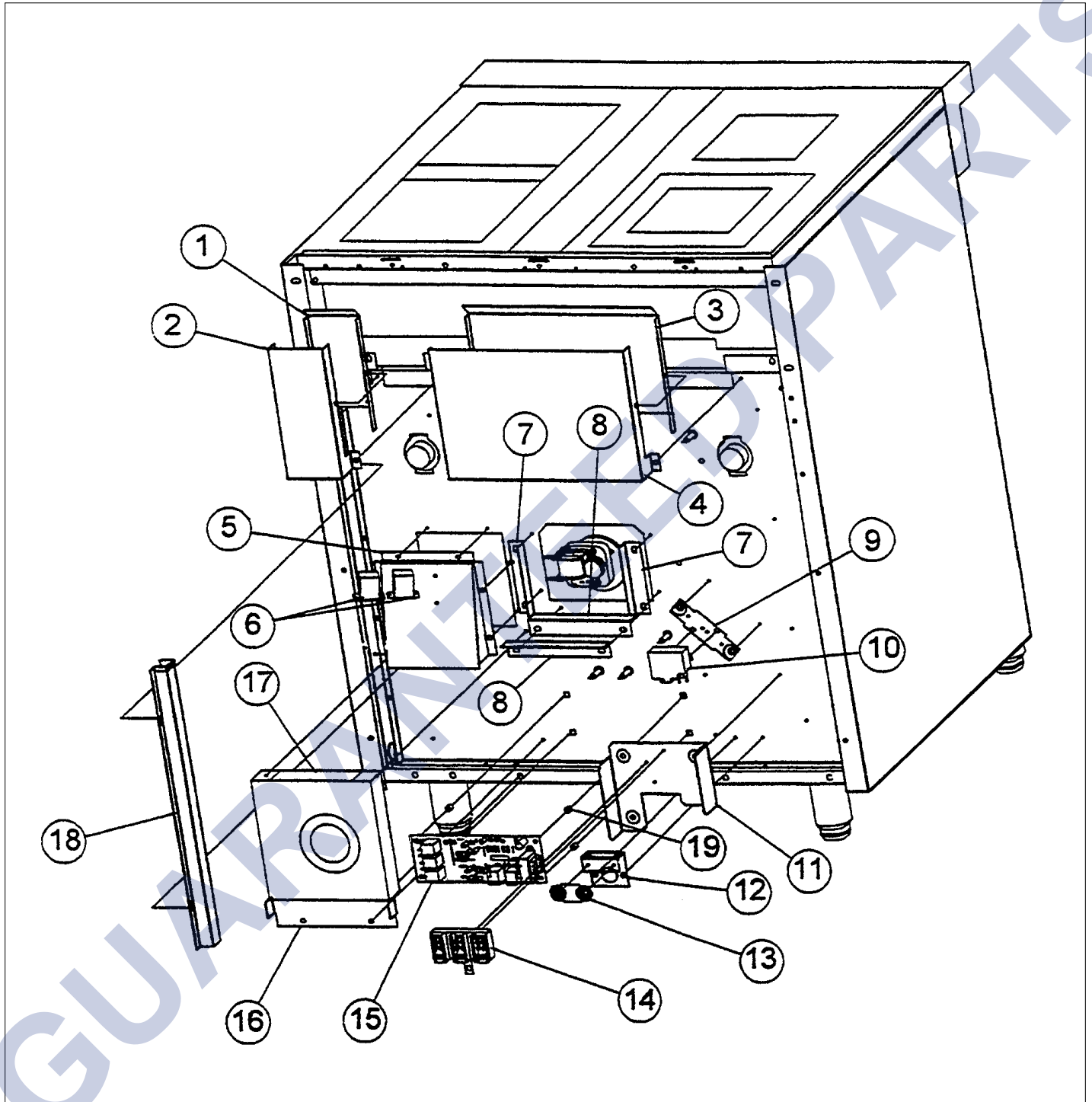
PANEL OVEN



| Item | Part No. | Name | Qty | Uom | NOTES |
|------|------------|-----------------------------------|-----|-----|---|
| 1 | PD030050 | 10-24 CAGE NUT *SS* | 1 | EA | |
| 2 | B2002598 | O/S BODY PANEL LH (SS) | 1 | EA | |
| 2 | C9002598AL | BODY PNL LH 30'REPL C9001922AL | 1 | EA | NO LONGER AVAILABLE, Not available online / Call for pricing and availability |
| 2 | C9002598BK | BODY PNL LH 30'REPL C9001922BK | 1 | EA | NO LONGER AVAILABLE |
| 2 | C9002598BT | O/S BODY PANEL-LH *BT* (VDSC) | 1 | EA | NO LONGER AVAILABLE |
| 2 | C9002598BU | BODY PNL LH 30'REPL C9001922BU | 1 | EA | NO LONGER AVAILABLE |
| 2 | C9002598CB | O/S BODY PANEL-LH *CB* (VDSC) | 1 | EA | NO LONGER AVAILABLE |
| 2 | C9002598EP | O/S BODY PANEL-LH *EP* (VDSC) | 1 | EA | NO LONGER AVAILABLE |
| 2 | C9002598FG | BODY PNL LH 30'REPL C9001922FG | 1 | EA | NO LONGER AVAILABLE |
| 2 | C9002598GG | BODY PNL LH 30'REPL C9001922GG | 1 | EA | NO LONGER AVAILABLE |
| 2 | C9002598LE | O/S BODY PANEL-LH *LE* (VDSC) | 1 | EA | NO LONGER AVAILABLE |
| 2 | C9002598MJ | O/S BODY PANEL-LH *MJ* (VDSC) | 1 | EA | NO LONGER AVAILABLE |
| 2 | C9002598SG | O/S BODY PANEL-LH *SG* (VDSC) | 1 | EA | NO LONGER AVAILABLE |
| 2 | C9002598VB | BODY PNL LH 30'REPL C9001922VB | 1 | EA | NO LONGER AVAILABLE |
| 2 | C9002598WH | BODY PNL LH 30'REPL C9001922WH | 1 | EA | NO LONGER AVAILABLE |
| 3 | J2002593 | Oven Side Heat Sink | 1 | EA | Not available online / Call for pricing and availability |
| 4 | B2002597 | O/S BODY PANEL - RH (SS) | 1 | EA | |
| 4 | C9002597AL | O/S BODY PANEL-RH *AL* (VDSC) | 1 | EA | NO LONGER AVAILABLE, Not available online / Call for pricing and availability |
| 4 | C9002597BK | BODY PNL RH BK REPL C9001921BK | 1 | EA | |
| 4 | C9002597BT | O/S BODY PANEL-RH *BT* (VDSC) | 1 | EA | NO LONGER AVAILABLE |

| Item | Part No. | Name | Qty | Uom | NOTES |
|------|------------|--------------------------------------|-----|-----|---|
| 4 | C9002597BU | BODY PNL RH BU REPL C9001921BU | 1 | EA | Not available online / Call for pricing and availability |
| 4 | C9002597CB | O/S BODY PANEL-RH *CB* (VDSC) | 1 | EA | NO LONGER AVAILABLE |
| 4 | C9002597EP | O/S BODY PANEL-RH *EP* (VDSC) | 1 | EA | NO LONGER AVAILABLE |
| 4 | C9002597FG | BODY PNL RH FG REPL C9001921FG | 1 | EA | NO LONGER AVAILABLE, Not available online / Call for pricing and availability |
| 4 | C9002597GG | BODY PNL RH GG REPL C9001921GG | 1 | EA | Not available online / Call for pricing and availability |
| 4 | C9002597LE | O/S BODY PANEL-RH *LE* (VDSC) | 1 | EA | |
| 4 | C9002597MJ | O/S BODY PANEL-RH *MJ* (VDSC) | 1 | EA | NO LONGER AVAILABLE |
| 4 | C9002597SG | O/S BODY PANEL-RH *SG* (VDSC) | 1 | EA | NO LONGER AVAILABLE, Not available online / Call for pricing and availability |
| 4 | C9002597VB | BODY PNL RH VB REPL C9001921VB | 1 | EA | |
| 4 | C9002597WH | BODY PNL RH WH REPL C9001921WH | 1 | EA | NO LONGER AVAILABLE |
| 5 | PJ010003 | CONVECTION ELEMENT (VDSC) 240V | 1 | EA | NO LONGER AVAILABLE |
| 6 | PJ010004 | BAKE ELEMENT (VDSC) 240V | 1 | EA | |
| 7 | PD040005 | SNAP BUSHING - 7/8" | 1 | EA | |
| 8 | PM010129 | RELAY | 1 | EA | |
| 9 | E9102170 | CONVECTION FAN COVER | 1 | EA | |
| NI | PM010025 | RELAY (DOUBLE POLE- DOUBLE THROW) | 1 | EA | |

REAR PANEL ASSEMBLY



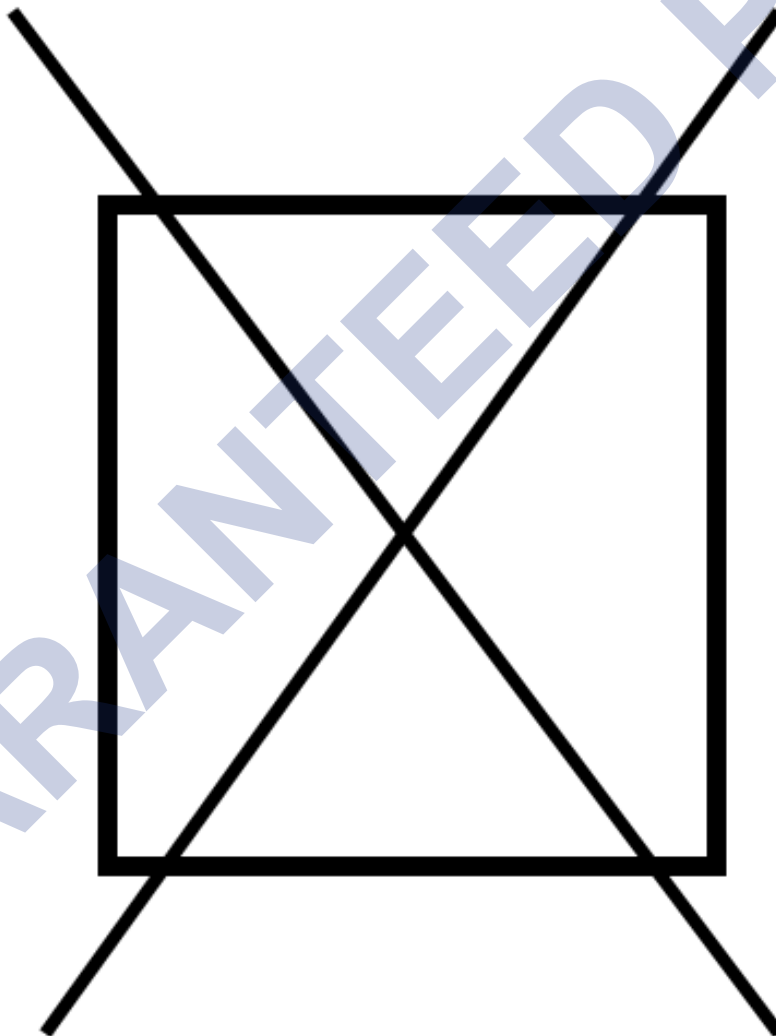
| Item | Part No. | Name | Qty | Uom | NOTES |
|------|----------|----------------------------------|-----|-----|---|
| 1 | A2002484 | AIR FLUE (VDSC) | 1 | EA | NO LONGER AVAILABLE, Not available online / Call for pricing and availability |
| 2 | A2002483 | AIR FLUE (VDSC) | 1 | EA | NO LONGER AVAILABLE, Not available online / Call for pricing and availability |
| 3 | A2002486 | AIR FLUE (LARGE-BACK) VDSC | 1 | EA | NO LONGER AVAILABLE, Not available online / Call for pricing and availability |
| 4 | A2002485 | AIR FLUE (LARGE-FRONT) VDSC | 1 | EA | NO LONGER AVAILABLE, Not available online / Call for pricing and availability |
| 5 | A2002180 | COOLING FAN HOUSING (VDSC) | 1 | EA | NO LONGER AVAILABLE |
| 6 | PM010025 | RELAY (DOUBLE POLE-DOUBLE THROW) | 1 | EA | |
| 7 | A2001746 | SIDE FAN SHIELD | 1 | EA | Not available online / Call for pricing and availability |
| 8 | A2008467 | INSULATION SHIELD | 1 | EA | |
| 9 | A1002456 | THERMO-DISC BRKT (VDSC) | 1 | EA | |
| 10 | PJ030002 | AUTO RESET (SELF-CLEAN) VDSC | 1 | EA | |
| 11 | A2002193 | ELECTRICAL MOUNTING BRKT (VDSC) | 1 | EA | NO LONGER AVAILABLE |
| 12 | A2002195 | POWER CORD MOUNTING BRKT (VDSC) | 1 | EA | |
| 13 | A1002457 | POWER CORD MOUNTING STRAP (VDSC) | 1 | EA | |
| 14 | PE070147 | TERMINAL BLOCK (VDSC) | 1 | EA | |
| 15 | PE070148 | SELF-CLEAN BOARD/TIMER (VDSC) | 1 | EA | |
| | NOTE | (BEFORE 02/01/07) | | EA | |
| NI | PE070308 | PRE-HEAT BOARD | 1 | EA | |
| | NOTE | (BEFORE 02/01/07) | | EA | |
| 15 | PE070786 | ELECTRONIC CONTROL BOARD | 1 | EA | |

| Item | Part No. | Name | Qty | Uom | NOTES |
|------|----------|-------------------------------------|-----|-----|---|
| | NOTE | (ON OR AFTER 02/01/07) | | EA | |
| 16 | A2002579 | WIRE SHIELD (VDSC) | 1 | EA | Not available online / Call for pricing and availability |
| 17 | PE050026 | COOLING FAN (VDSC) | 1 | EA | NO LONGER AVAILABLE |
| 18 | A2000210 | WIRE CHANNEL | 1 | EA | NO LONGER AVAILABLE, Not available online / Call for pricing and availability |
| 19 | PD030033 | GROMMET NUT-ROUND HD. #8 X .500DIA. | 1 | EA | |

GUARANTEED PARTS

WIRING

NON
ILLUSTRATED PART



GUARANTEED PARTS

| Item | Part No. | Name | Qty | Uom | NOTES |
|------|----------|----------------------------------|-----|-----|---|
| NI | PE070451 | HARNESS 307-4B | 1 | EA | |
| NI | PE070145 | WIRE HARNESS-6 CIRCUIT (VDSC) | 1 | EA | |
| NI | PE070173 | CTRL PAN HARNESS (VESC305-4B) | 1 | EA | NO LONGER AVAILABLE, Not available online / Call for pricing and availability |
| NI | PE070174 | ELEMENT HARNESS-LH (VESC305-4B) | 1 | EA | |
| NI | PE070175 | ELEMENT HARNESS-RH (VESC305-4B) | 1 | EA | |
| NI | G4003006 | RED - SUPPLY WIRE | 1 | EA | NO LONGER AVAILABLE, Not available online / Call for pricing and availability |
| NI | G4003009 | *BK* - SUPPLY WIRE | 1 | EA | NO LONGER AVAILABLE, Not available online / Call for pricing and availability |
| NI | G4003016 | GREEN - SUPPLY WIRE | 1 | EA | NO LONGER AVAILABLE, Not available online / Call for pricing and availability |
| NI | G4003017 | *WH* - SUPPLY WIRE | 1 | EA | NO LONGER AVAILABLE, Not available online / Call for pricing and availability |
| NI | G4007936 | HOT SURFACE LIGHT HARNESS (VESC) | 1 | EA | NO LONGER AVAILABLE, Not available online / Call for pricing and availability |
| NI | PE070779 | RH 8 POS SELECTOR HARNESS | 1 | EA | |
| NI | PE070780 | RH REAR SELECTOR HARNESS | 1 | EA | |
| NI | PE070781 | RH MAIN OVEN HARNESS | 1 | EA | |
| NI | PE070874 | VDSC305/307 WIRE HARNESS | 1 | EA | NO LONGER AVAILABLE |
| NI | PE070875 | VDSC305/307 WIRE HARNESS | 1 | EA | NO LONGER AVAILABLE |

Appendix A:Pages Index

BACKGUARD-BACK COVER ASSY 1
DRIP TRAY ASSY 2
EXTERIOR ASSY VIEW 13
EXTERIOR ASSY VIEW 24
EXTERIOR ASSY VIEW 35
FUNCTIONAL PARTS 6
OVEN CAVITY (INSUL. RETNR) ASSY 7
OVEN CAVITY ASSY8
OVEN CAVITY ASSY (TOP & BOTTOM)9
OVEN DOOR ASSY 10
PANEL OVEN 11
REAR PANEL ASSEMBLY 12
WIRING 13

GUARANTEED PARTS

Appendix B:Parts Index

| | | | |
|------------|-------|------------|----|
| 000268-000 | 10 | A2002482 | 9 |
| 000594-000 | 10 | A2002483 | 12 |
| 000623-000 | 10 | A2002484 | 12 |
| 031449-000 | 6, 9 | A2002485 | 12 |
| 050172-000 | 5 | A2002486 | 12 |
| 076900-000 | 4, 6 | A2002490 | 3 |
| 077728-000 | 5, 6 | A2002491 | 3 |
| 079358-000 | 4, 6 | A2002496 | 3 |
| A1002456 | 9, 12 | A2002497 | 10 |
| A1002457 | 12 | A2002498 | 10 |
| A1002492 | 3 | A2002499 | 10 |
| A1002596 | 9 | A2002579 | 12 |
| A2000210 | 3, 12 | A2002595 | 9 |
| A2000667 | 3 | A2002654 | 1 |
| A2001160 | 3 | A2003004 | 3 |
| A2001401 | 3 | A2003007 | 3 |
| A2001746 | 12 | A2003008 | 3 |
| A2002155 | 7 | A2003019 | 4 |
| A2002156 | 7 | A2003020 | 4 |
| A2002157 | 7 | A2006777 | 2 |
| A2002158 | 7, 8 | A2007938 | 4 |
| A2002159 | 7 | A2008467 | 12 |
| A2002160 | 7 | B2001815 | 4 |
| A2002168 | 7 | B2002167 | 8 |
| A2002169 | 10 | B2002185 | 8 |
| A2002180 | 12 | B2002188 | 10 |
| A2002183 | 7 | B2002489 | 8 |
| A2002189 | 10 | B2002589 | 2 |
| A2002193 | 12 | B2002597 | 11 |
| A2002195 | 12 | B2002598 | 11 |
| A2002367 | 10 | B2002762 | 5 |
| A2002450 | 7 | B3006772 | 2 |
| A2002453 | 1 | B92010452 | 5 |
| A2002454 | 1 | C2003001 | 4 |
| A2002475 | 9 | C9001815AL | 4 |
| A2002476 | 7 | C9001815BK | 4 |
| A2002477 | 7 | C9001815BT | 4 |
| A2002479 | 7 | C9001815BU | 4 |
| A2002480 | 9 | C9001815CB | 4 |
| A2002481 | 9 | C9001815EP | 4 |
| | | C9001815FG | 4 |

| | | | |
|------------|----|--------------|----|
| C9001815GG | 4 | C9002598SG | 11 |
| C9001815LE | 4 | C9002598VB | 11 |
| C9001815MJ | 4 | C9002598WH | 11 |
| C9001815SG | 4 | C9306772PVD | 2 |
| C9001815VB | 4 | E9102152 | 8 |
| C9001815WH | 4 | E9102153 | 8 |
| C9002188AL | 10 | E9102170 | 11 |
| C9002188BK | 10 | E9102178 | 10 |
| C9002188BT | 10 | E9102179 | 10 |
| C9002188BU | 10 | E9102741 | 8 |
| C9002188CB | 10 | E9107933 | 5 |
| C9002188EP | 10 | E9107934 | 5 |
| C9002188FG | 10 | G3001406 | 5 |
| C9002188GG | 10 | G3002599 | 2 |
| C9002188LE | 10 | G3202172AL | 10 |
| C9002188MJ | 10 | G3202172ALBR | 10 |
| C9002188SG | 10 | G3202172BK | 10 |
| C9002188VB | 10 | G3202172BKBR | 10 |
| C9002597AL | 11 | G3202172BT | 10 |
| C9002597BK | 11 | G3202172BTBR | 10 |
| C9002597BT | 11 | G3202172BU | 10 |
| C9002597BU | 11 | G3202172BUBR | 10 |
| C9002597CB | 11 | G3202172CB | 10 |
| C9002597EP | 11 | G3202172CBBR | 10 |
| C9002597FG | 11 | G3202172EP | 10 |
| C9002597GG | 11 | G3202172EPBR | 10 |
| C9002597LE | 11 | G3202172FG | 10 |
| C9002597MJ | 11 | G3202172FGBR | 10 |
| C9002597SG | 11 | G3202172GG | 10 |
| C9002597VB | 11 | G3202172GGBR | 10 |
| C9002597WH | 11 | G3202172LE | 10 |
| C9002598AL | 11 | G3202172LEBR | 10 |
| C9002598BK | 11 | G3202172MJ | 10 |
| C9002598BT | 11 | G3202172MJBR | 10 |
| C9002598BU | 11 | G3202172SG | 10 |
| C9002598CB | 11 | G3202172SGBR | 10 |
| C9002598EP | 11 | G3202172SS | 10 |
| C9002598FG | 11 | G3202172SSBR | 10 |
| C9002598GG | 11 | G3202172VB | 10 |
| C9002598LE | 11 | G3202172VBBR | 10 |
| C9002598MJ | 11 | G3202172WH | 10 |

| | | | |
|--------------|-------|-------------|----------|
| G3202172WHBR | 10 | PD030032 | 5 |
| G3202341 | 1 | PD030033 | 12 |
| G4002752 | 2 | PD030050 | 11 |
| G4003006 | 13 | PD040004 | 2 |
| G4003009 | 13 | PD040005 | 11 |
| G4003016 | 13 | PD040028 | 2 |
| G4003017 | 13 | PD040032 | 4 |
| G4007936 | 13 | PD040033 | 4 |
| G50010120 | 10 | PE010016 | 10 |
| G50010220 | 10 | PE010017 | 10 |
| G50013538 | 5, 6 | PE010079 | 10 |
| G5007437BK | 4 | PE010080 | 10 |
| G5007437WH | 4 | PE020047 | 3 |
| G9102736 | 8 | PE030001PVD | 10 |
| G9102743 | 7 | PE030005 | 10 |
| J1002594 | 10 | PE030012PVD | 10 |
| J2002593 | 11 | PE050005 | 6, 9, 9 |
| PA050086 | 4 | PE050017 | 5, 6 |
| PB010129 | 5 | PE050023 | 5 |
| PB010130 | 5 | PE050024 | 5 |
| PB010132 | 5 | PE050026 | 12 |
| PB010143 | 5 | PE050053 | 6, 9 |
| PB010144 | 5 | PE050077 | 4, 6 |
| PB010145 | 5 | PE060030 | 10 |
| PB010146 | 5 | PE060031 | 10 |
| PB010209 | 5 | PE060039 | 10 |
| PB010230 | 5 | PE060045 | 10 |
| PB060030 | 5 | PE070145 | 13 |
| PB060044 | 5 | PE070147 | 6, 12 |
| PB070034 | 3, 10 | PE070148 | 6, 12 |
| PB070076 | 10 | PE070152 | 5 |
| PC020009 | 7 | PE070173 | 13 |
| PC030007 | 9 | PE070174 | 4, 6, 13 |
| PC030017 | 9 | PE070175 | 4, 6, 13 |
| PD010006 | 9 | PE070308 | 4, 6, 12 |
| PD010018 | 1 | PE070321 | 4, 6 |
| PD020003 | 8, 9 | PE070451 | 13 |
| PD020048 | 8 | PE070779 | 13 |
| PD020049 | 2 | PE070780 | 13 |
| PD030005 | 5 | PE070781 | 13 |
| PD030029 | 9 | PE070786 | 6, 12 |

PE070874 13
 PE070875 13
 PJ010001 6, 8
 PJ010002 6, 8
 PJ010003 6, 11
 PJ010004 6, 11
 PJ020001 4, 6
 PJ030001 5, 6
 PJ030002 6, 12
 PJ030003 5, 6
 PJ030005 6, 9
 PJ030006 6, 9
 PJ030007 5, 6
 PK000007 3
 PK000008 3
 PM010014 6, 7
 PM010025 6, 6, 6, 11, 12
 PM010129 11
 PS500032 5

GUARANTEED PARTS