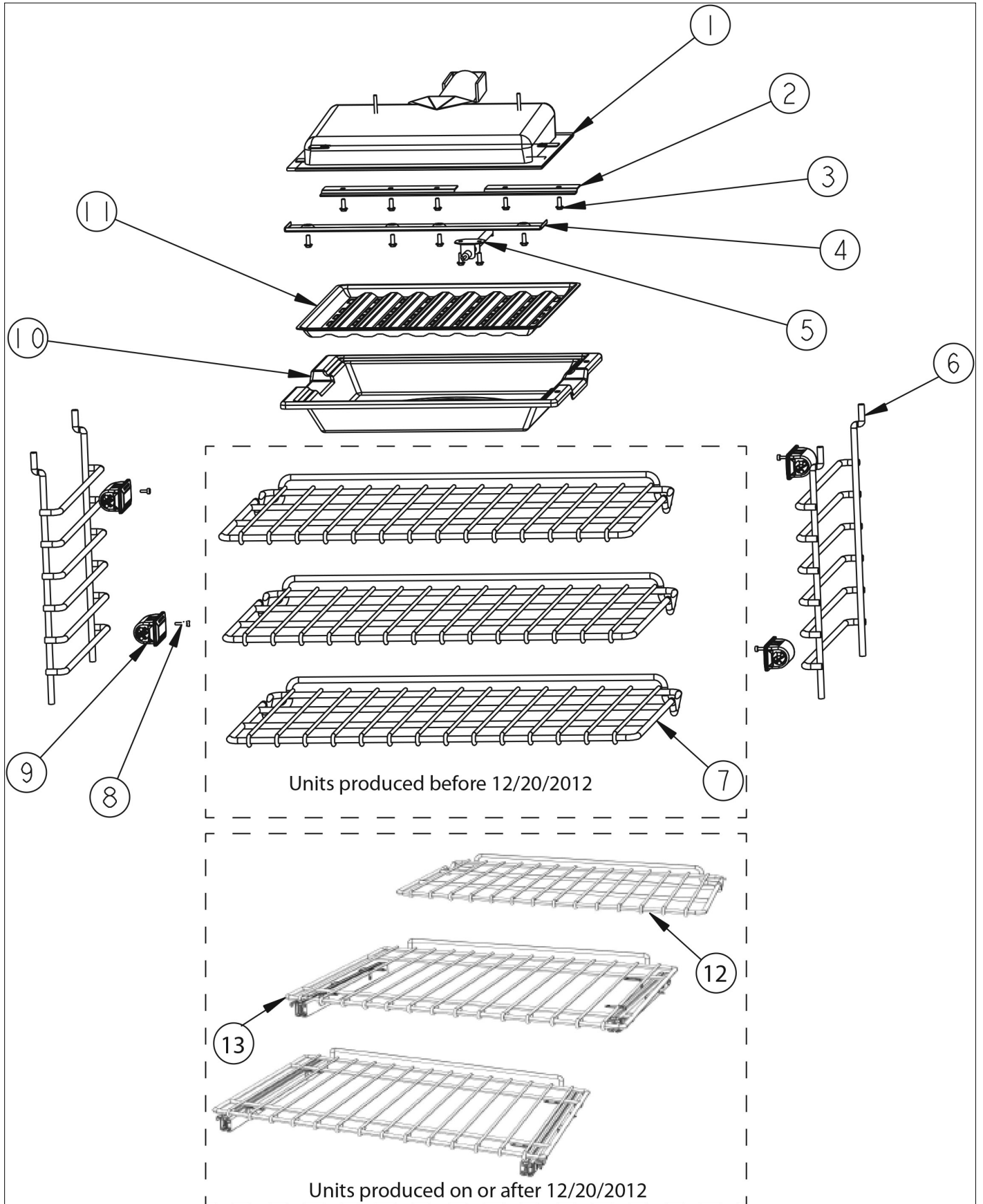


VGCC5304

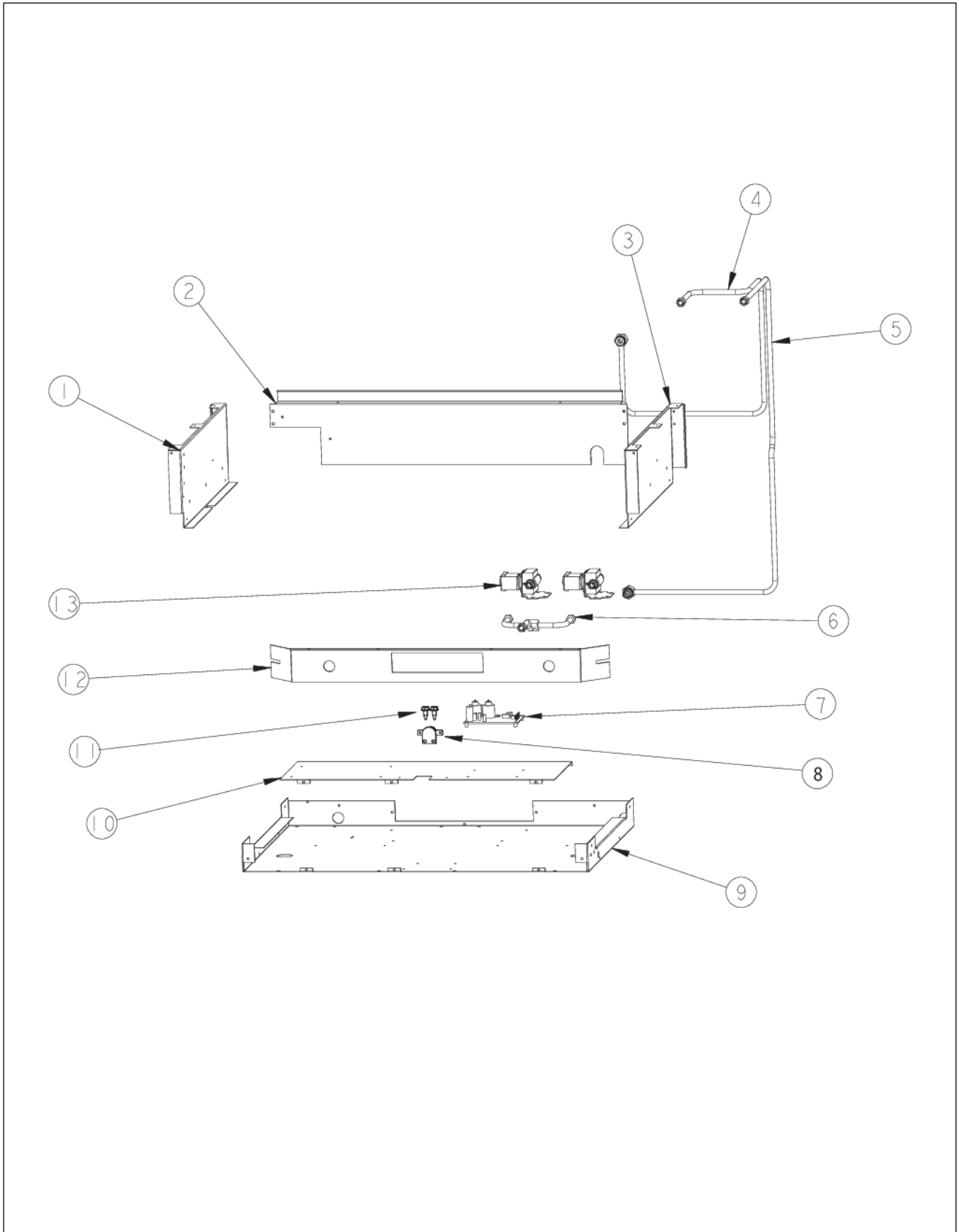
BROILER AND RACKS	1
BURNER BOX INTERIOR	2
BURNER TOP	3
CONTROLS	4
DOOR	5
FAN ASSY	6
LEG ASSY	7
OVEN CAVITY	8
REAR SHEET METAL	9
WIRING	10
VGCC530 cooling fan data	11
Appendix A:Pages Index	A
Appendix B:Parts Index	B

BROILER AND RACKS



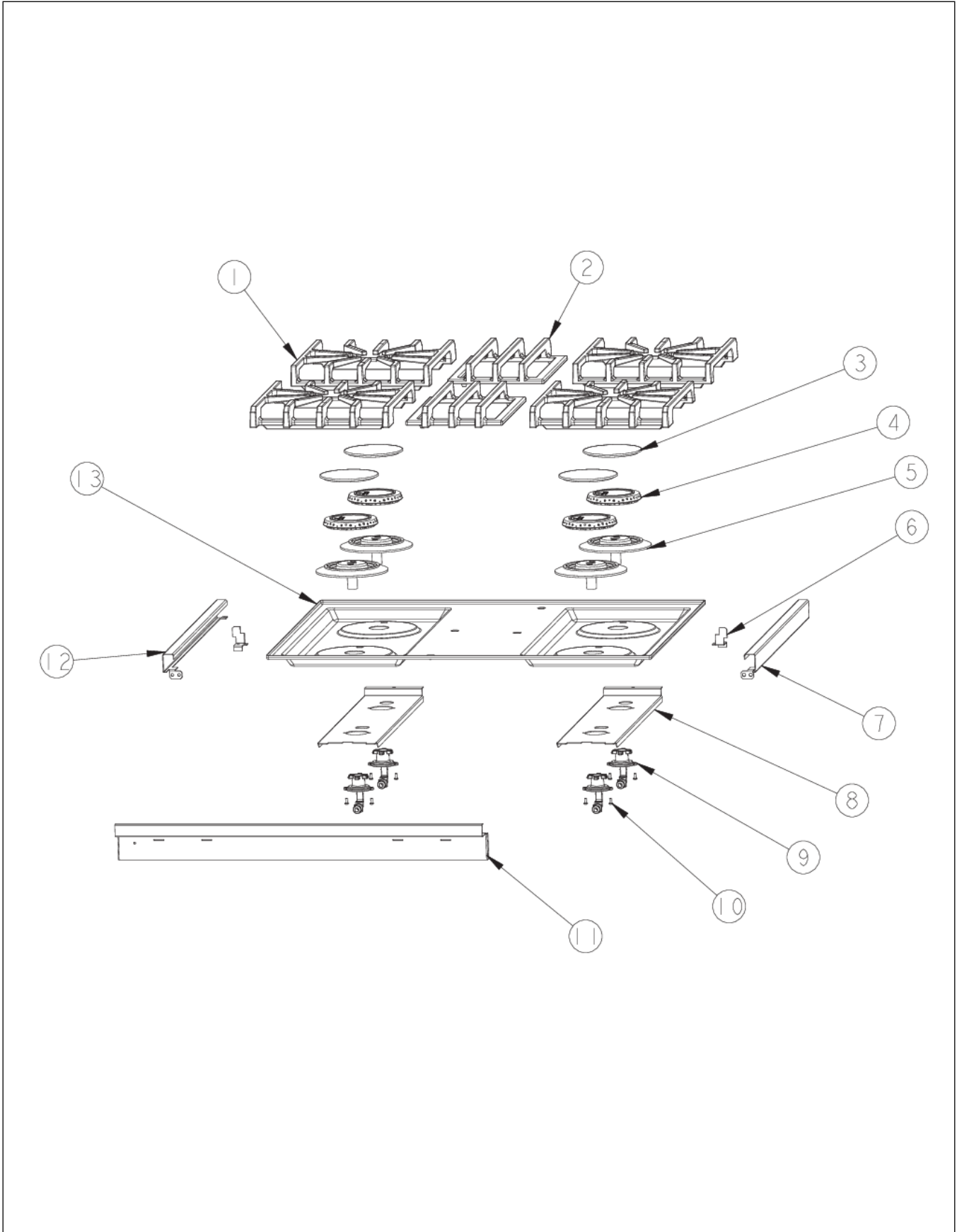
Item	Part No.	Name	Qty	Uom	NOTES
1	085109-000	IR BROIL BURNER KIT	1	EA	
2	B2005589	REAR BROILER BRACKET	1	EA	Not available online / Call for pricing and availability
3	PD020048	NO.10 X 1/2 TEK 410 SS SCREW	11	EA	
4	020409-000	BRACKET, SPRT, FR, I/R BROILER	1	EA	
5	PB040171	BROIL IGNITION ELECTRODE	1	EA	
6	PB060030	RACK SUPT REPL PB060010	2	EA	
	NOTE	(BEFORE 12/20/12)			
6	066225-402	GUIDE, RACK, RH- BK	2	EA	
	NOTE	(ON OR AFTER 12/20/12)			
7	PB060044	OVEN RK VDSC30/48RH REPL PB060019	3	EA	
	NOTE	UNITS PRODUCED BEFORE 12/20/2012		EA	
8	PD020067	#6 X 3/8" PAN PHIL. TEK *SS*	4	EA	
9	068653-601	LIGHT, 120V/25W, G9, HALOGEN, SIDE	4	EA	
10	E9107933	BROILER PAN	1	EA	NO LONGER AVAILABLE
11	E9107934	BROILER PAN INSERT - NLA	1	EA	
12	065467-000	RACK, PRO, W/HDL, 30"	1	EA	
	NOTE	UNITS PRODUCED ON AND AFTER 12/20/2012		EA	
13	065730-000	RACK, GLIDE, 30", W/HDL, ASSY	2	EA	
	NOTE	UNITS PRODUCED ON AND AFTER 12/20/2012		EA	
NI	PB040040	ORIFICE-IR BURNER (VGSC) (NAT #47)	1	EA	
	NOTE	(NATURAL ORIFICE FOR BROIL)		EA	
NI	PB040027	IR BUR.SPUD ORF. - #56 LP	1	EA	
	NOTE	(LP ORIFICE FOR BROIL)			

BURNER BOX INTERIOR



Item	Part No.	Name	Qty	Uom	NOTES
1	003481-000	BURNER BOX SIDE, LH	1	EA	
2	006035-000	SUPPORT, BACK	1	EA	
3	002755-000	BURNER BOX SIDE, RH	1	EA	
4	005372-000	BROIL TUBING	1	EA	
	NOTE	(BEFORE 10/24/11)			
	015199-000	TUBING, BROIL BURNER, ASM	1	EA	
	NOTE	(ON OR AFTER 10/24/2011)		EA	
5	006338-000	BAKE TUBING	1	EA	
	NOTE	(BEFORE 10/24/11)			
	015200-000	TUBING, BAKE ASM, NAT	1	EA	
	NOTE	(ON OR AFTER 10/24/2011)		EA	
6	006339-000	MANIFOLD TUBING	1	EA	
	NOTE	(BEFORE 10/24/11)			
	015196-000	TUBE, MANF, ASM	1	EA	
	NOTE	(ON OR AFTER 10/24/2011)		EA	
7	PA020056	NLA - See TC-0063D-SP for kit number (see comments)	1	EA	
	NOTE	(BEFORE 12/20/10)		EA	
7	023651-000	DSI120-2-LVS	1	EA	
	NOTE	(ON OR AFTER 12/20/10)		EA	
8	PJ030039	BI-METAL THERMOSTAT 275 DEGREES	1	EA	
9	NOT REPLACEABLE	BOTTOM BURNER BOX	N/A	EA	
10	005315-000	TRAY, ELEX, 30", GSC	1	EA	
11	003860-000	10-18 x .500 FASTNR,SCR,HXWH,STL,ZPLT	2	EA	
12	006114-000	DIVIDER, AIR	1	EA	
13	PA010139	F J T VALVE REPL PA010079	2	EA	
	NOTE	(BEFORE 11/02/2011)		EA	
	009112-000	VALVE, SOL, DOUBLE	1	EA	
	NOTE	(ON OR AFTER 11/02/2011)		EA	

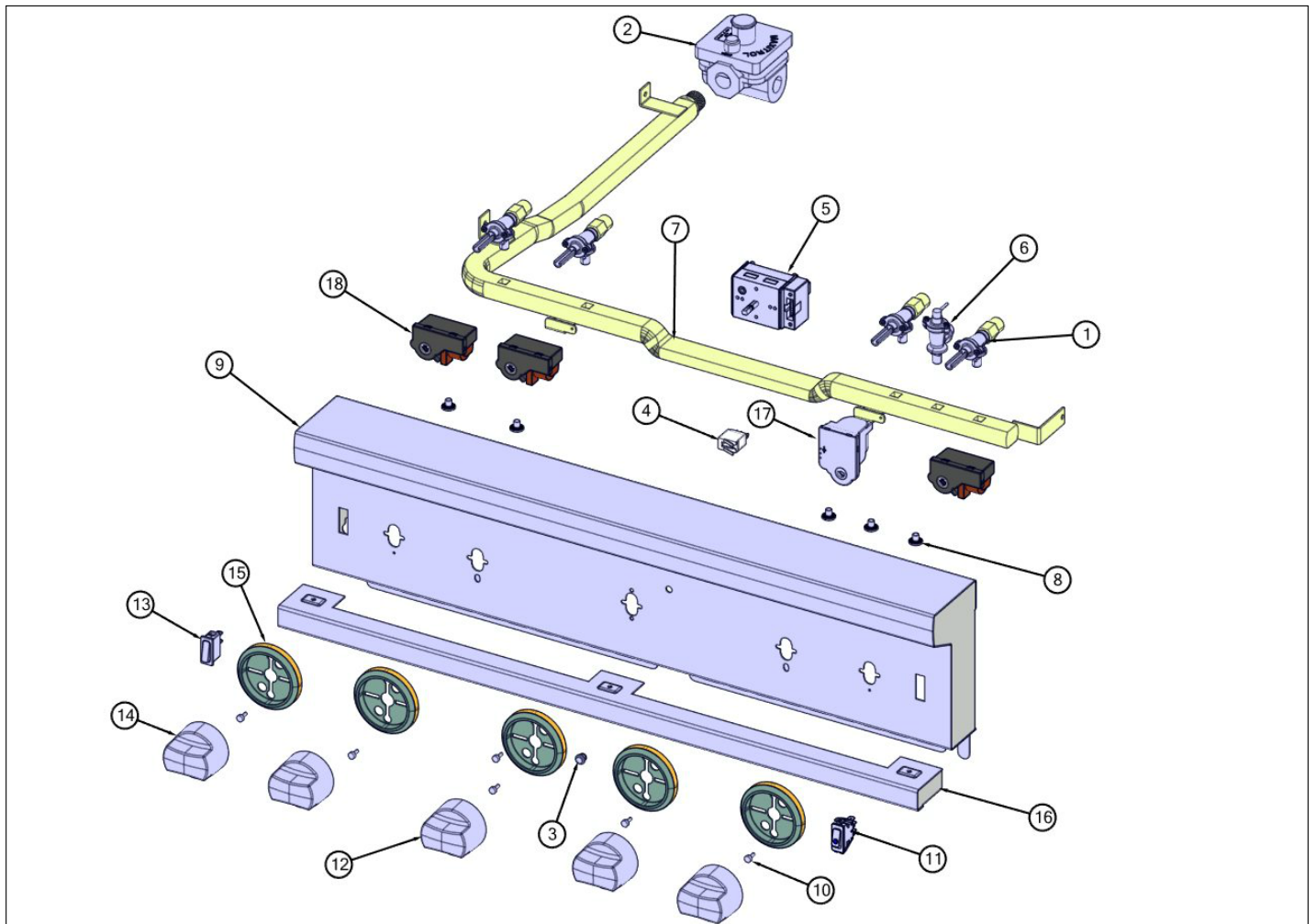
BURNER TOP



Item	Part No.	Name	Qty	Uom	NOTES
1	007323-000	BURNER GRATE	4	EA	
	NOTE	(BEFORE 11/21/14)			
1	049420-000	GRATE, BURNER, ASM	4	EA	
	NOTE	(ON OR AFTER 11/21/14)			
NI	074892-000	RUBBER FOOT	16	EA	
	NOTE	(BEFORE 11/21/14)			
NI	049416-000	BUMBER, GRATE	16	EA	
	NOTE	(ON OR AFTER 11/21/14)			
2	002907-000	CENTER GRATE, REDESIGN	2	EA	
	NOTE	(BEFORE 12/4/14)			
2	049426-000	GRATE, CENTER, ASM	2	EA	
	NOTE	(ON OR AFTER 12/4/14)			
	NOTE	(BEFORE 12/4/14)			
NI	049416-000	BUMBER, GRATE	8	EA	
	NOTE	(ON OR AFTER 12/4/14)			
3	066958-000	D BURNER CAP *MATTE BLACK*	4	EA	
4	067033-000	HEAD, BURNER, SEALED	4	EA	
5	003322-040	SEALED BURNER BASE, TURNED FINISH	4	EA	
5	003322-041	SEALED BURNER BASE, PAINTED FINISH- GRAY	4	EA	
6	004021-000	SUPPORT,TRIM,SIDE	2	EA	
7	002920-000	TOP TRIM RING, RH	1	EA	
8	002923-000	BURNER MODULE SUPPORT	2	EA	
9	001394-040	16000 BTU NAT JETHOLDER	3	EA	
9	066197-041	18500 BTU NAT JETHOLDER	1	EA	
9	001394-043	13500 BTU LP JETHOLDER	3	EA	
9	001394-046	12.5 K BTU LP JETHOLDER	1	EA	
10	PD020076	6-32 X 3/8" PHILL PAN MS	8	EA	
11	002925-000	FRONT SUPPORT, BURNER BOX	1	EA	
12	003649-000	TOP TRIM RING, LH	1	EA	
13	E9107413BK	MAIN TOP 30" *BK*	1	EA	

Item	Part No.	Name	Qty	Uom	NOTES
13	E9107413WH	MAIN TOP 30" *WH*	1	EA	
NI	009197-000	#6-32 X 5/8 18-8 SS NC SOC CAP	8	EA	
	NOTE	(BURNER BASE SCREW)			

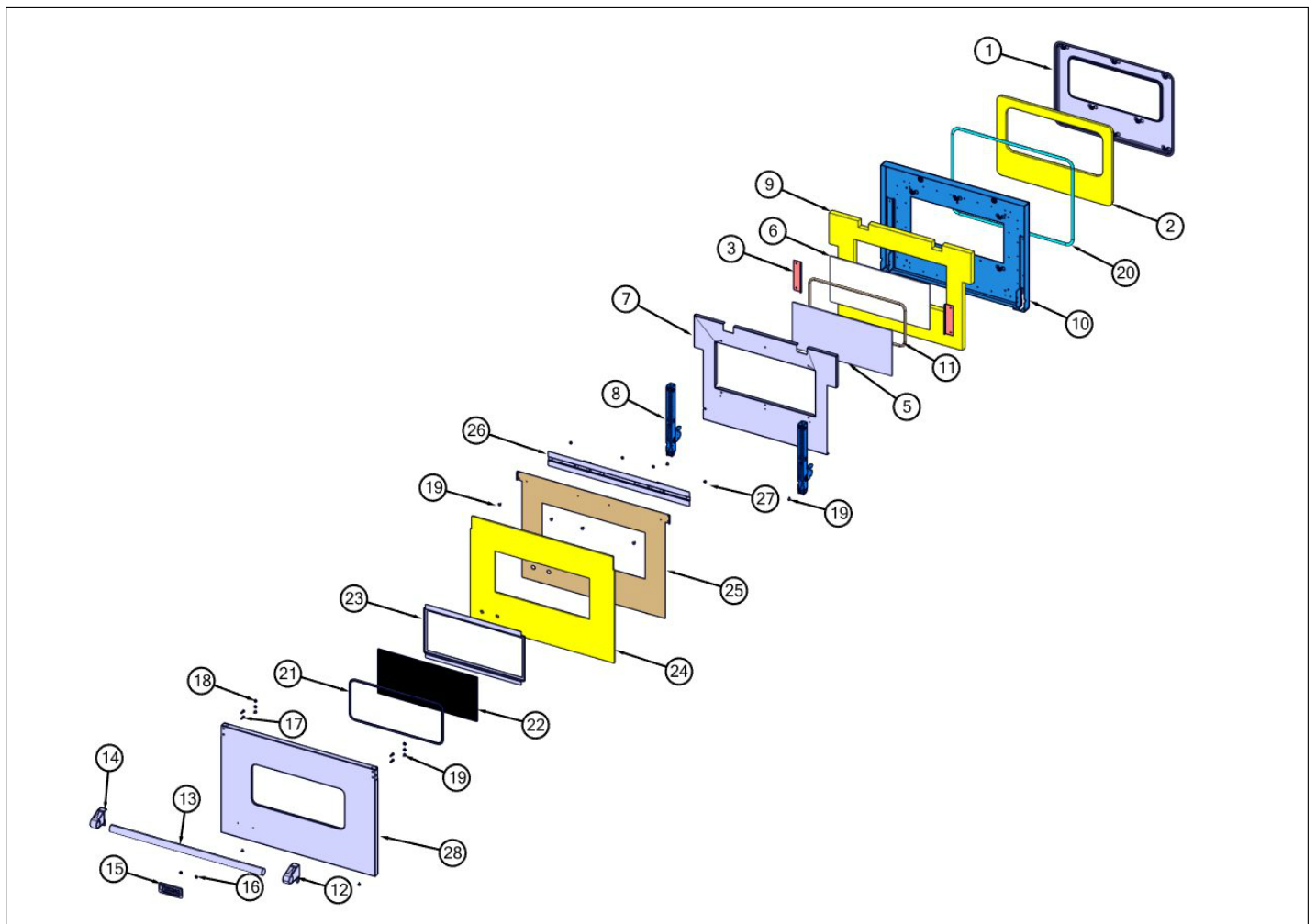
CONTROLS



Item	Part No.	Name	Qty	Uom	NOTES
1	006313-000	VALVE,BRS.ASM, TOP,BURNER , FLRE,FTG, 5/8 - 18 UNF	4	EA	
2	PA070003	PRESSURE REGULATOR (NAT.)	1	EA	
2	013386-000	LP PRESSURE REGULATOR	1	EA	
3	PE050023	OVEN IND. LIGHT (LENS & BEZEL)	1	EA	NO LONGER AVAILABLE
	NOTE	(BEFORE 12/20/12)			
3	079905-000	INDICATOR, LIGHT, BLUE	1	EA	PART NO LONGER HAS BEZEL. REPLACE ALL IF ORIGINAL HAS BEZEL.
	NOTE	(ON OR AFTER 12/20/12)			
4	PE050024	OVEN IND. LIGHT (LIGHT HOUSING)	1	EA	
	NOTE	(BEFORE 12/20/12)			
4	015170-000	HOUSING, LIGHT, BLUE NEON, 125V	1	EA	
	NOTE	(ON OR AFTER 12/20/12)			
5	013213-000	TSTAT, SMPS, ELEC, 2-POS, .91" SHAFT, CB		EA	
	NOTE	(BEFORE 01/15/15)			
5	056034-000	TSTAT, SMPS, ELEC, 2-POS	1	EA	
	NOTE	(ON OR AFTER 01/15/15)			
6	007147-000	SHUT OFF VALVE	1	EA	
7	002926-000	GAS MANIFOLD, REDESIGN	1	EA	
8	PD010012	VALVE BOLT 1/4-20 UNC-2B 5/16" M.S.	4	EA	
9	025717-2068	CONTROL PANEL ASM, VGCC5304B, W/GRAPHICS	1	EA	
	NOTE	(BEFORE 04/17/15)			
9	035721-2068	PNL, CTRL, ASM W/GRAPHICS, VGCC530-4B	1	EA	
	NOTE	(ON OR AFTER 04/17/15)			
10	PD020067	#6 X 3/8" PAN PHIL. TEK *SS*	6	EA	
11	025098-000	SWITCH, ROCKER, BLK, LIGHTED	1	EA	
12	006531-000	THERMOSTAT KNOB (BK)	1	EA	

Item	Part No.	Name	Qty	Uom	NOTES
	NOTE	(BEFORE 01/16/09)			
12	008416-000	KNOB, THERMOSTAT, #3 SSS, ASM, VGCC	1	EA	
	NOTE	(FROM 01/16/09 THRU 12/20/12)			
12	035891-000	KNOB,OVN,TSTAT, PRO VGCC CR3	1	EA	
	NOTE	(ON OR AFTER 12/20/12)			
13	003719-000	OVEN LIGHT SWITCH, BLACK	1	EA	
14	PB010284	SURFACE BURNER KNOB	4	EA	
	NOTE	(BEFORE 01/16/09)			
14	PB010285	SURFACE BURNER KNOB - WH	4	EA	
	NOTE	(BEFORE 01/16/09)			
14	005269-000	RANGE TOP BURNER KNOB-BRUSHED, SSS	4	EA	NO LONGER AVAILABLE
	NOTE	(FROM 01/16/09 THRU 12/20/12)			
14	035881-000	KNOB, BNR, TOP PRO CR3	4	EA	
	NOTE	(ON OR AFTER 12/20/12)			
15	050172-000	BEZEL, KNOB	5	EA	
16	009331-000	TRIM, ASM	1	EA	NO LONGER AVAILABLE
	NOTE	(BEFORE 06/14/12)			
16	035957-000	TRIM, ASM	1	EA	
	NOTE	(ON OR AFTER 06/14/12)			
17	035795-000	MODULE, IGN, GAS,SNGL	1	EA	
18	035795-000	MODULE, IGN, GAS,SNGL	3	EA	

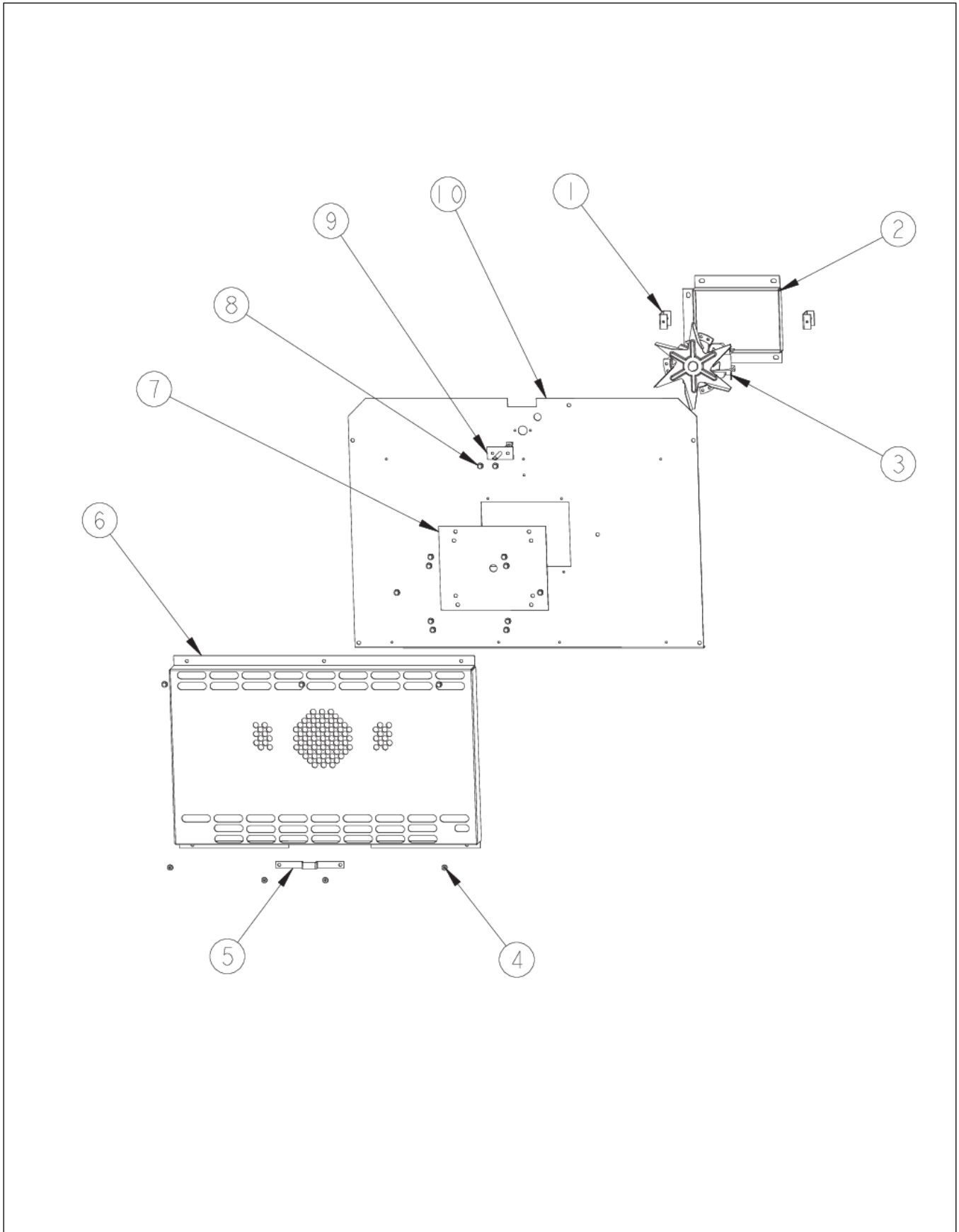
DOOR



Item	Part No.	Name	Qty	Uom	NOTES
1	001142-000	PLUG, DOOR, ASM, PROCELAIN	1	EA	NO LONGER AVAILABLE
	NOTE	(BEFORE 12/20/12)			
1	001142-402	PLUG, DOOR, ASM, PORCELAIN BK	1	EA	
	NOTE	(AFTER 12/20/12)			
2	002560-000	DOOR PLUG INSULATION	1	EA	
3	004688-000	DOOR PANEL INSULATION LINER	1	EA	
5	PE060030	GLASS-OUTER DOOR BK SCREENED, TEMP	1	EA	
6	PE060039	GLASS-HEAT TREATED (HB2) VDSC	1	EA	
7	004688-000	DOOR PANEL INSULATION LINER	1	EA	
8	002740-000	HINGE, DOOR, MANSFIELD, 30", DUEL FUEL	2	EA	
9	005475-000	DOOR INSULATION	1	EA	
10	004691-000	DOOR LINER ASSY	1	EA	NO LONGER AVAILABLE
	NOTE	(BEFORE 12/20/12)			
10	004691-402	LINER, DOOR ASM, BK PORC	1	EA	
	NOTE	(AFTER 12/20/12)			
11	000594-000	BLACK FIBERGLASS ROPE	1	EA	
12	003012-000	DOOR HANDLE ENDCAP ASSY, RH (CHROME)	1	EA	
13	002728-000	DOOR HANDLE - SS, 1.25" 29.5	1	EA	
14	003011-000	DOOR HANDLE ENDCAP ASSY, LH (CHROME)	1	EA	
15	PE010016	LOGO (ALL RANGES) *BK/CHR 307997W	1	EA	
16	PD030006	CAPPED WASHER PAL NUT	2	EA	
17	030823-000	#10-32 PAN HEAD PHILLIPS MACHINE SCREW	4	EA	
18	004907-000	STEEL FINISHING PLUG, NICKEL PLTD 25/64" HOLE	4	EA	
19	PD020033	SRW-#10-24X1/2" T(23) PH. WFR HD (NKL)	6	EA	
20	000042-000	30" DOOR GASKET	1	EA	

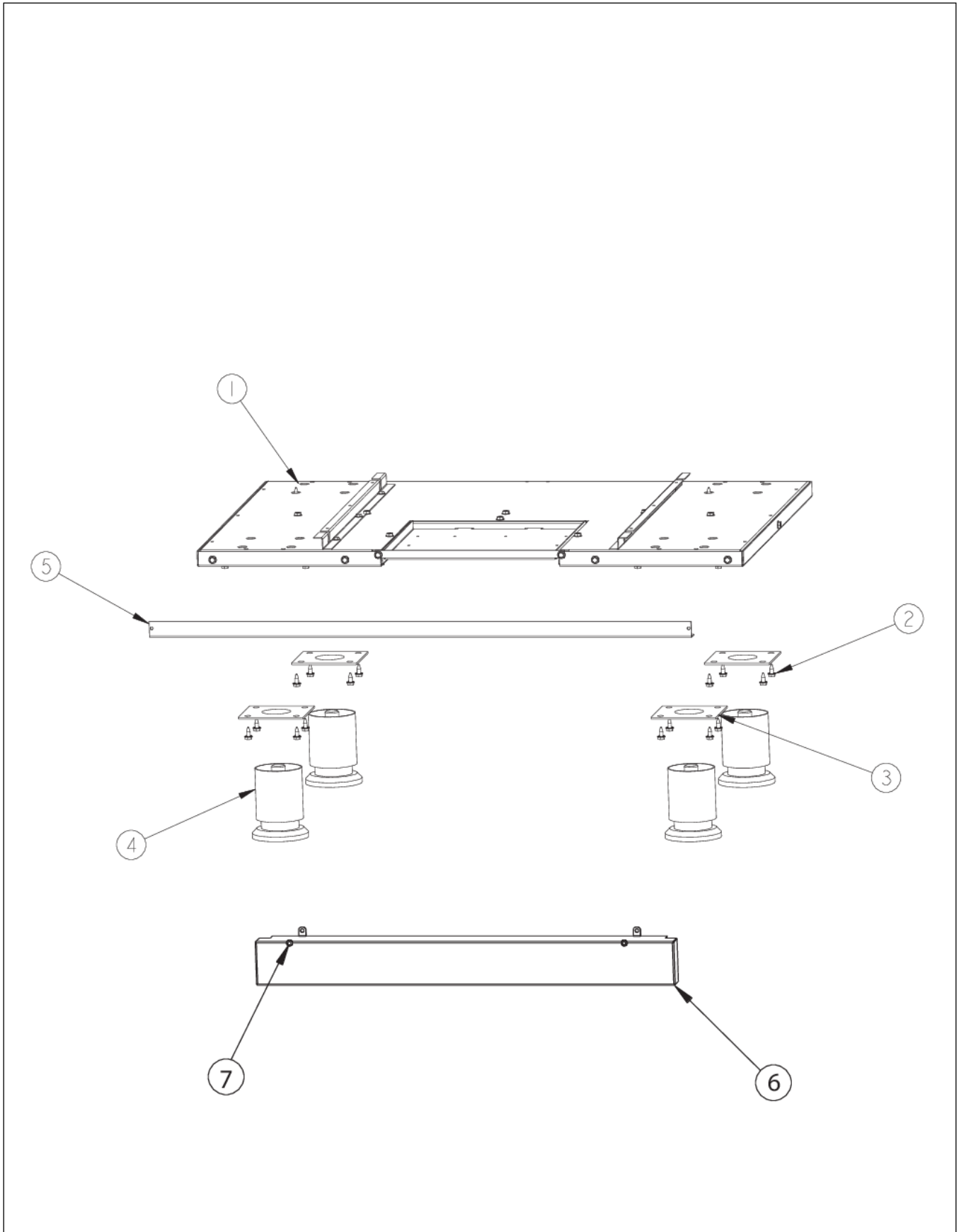
Item	Part No.	Name	Qty	Uom	NOTES
21	PE060031	J-MOLD (LARGE WINDOW)	1	EA	
22	PE060030	GLASS-OUTER DOOR BK SCREENED, TEMP	1	EA	
23	008097-000	FRAME, GLASS, ALUMINUM	1	EA	
24	004685-000	INSULATION, DOOR, PANEL	1	EA	
25	004684-000	PANEL, DOOR, INSULATION, GSC	1	EA	
26	006553-000	DOOR BRACKET, WELD ASSY	1	EA	
27	PD030010	#10-24 KEPS NUT ZINC PLATED	4	EA	
28	035632-000	PANEL,DOOR,EXT	1	EA	
28	007362-002	PANEL,DOOR 30" OTR DECARB BK	1	EA	
28	007362-005	PANEL,DOOR 30" OTR DECARB GG	1	EA	
28	007362-006	PANEL,DOOR 30" OTR DECARB WH	1	EA	
28	007362-008	PANEL,DOOR 30" OTR DECARB BU	1	EA	
28	007362-013	PANEL,DOOR 30" OTR DECARB CB	1	EA	
28	007362-024	PANEL,DOOR 30" OTR DECARB AR	1	EA	

FAN ASSY



Item	Part No.	Name	Qty	Uom	NOTES
1	A2001361	BACK SPACER (VGSC/VGSS)	2	EA	
2	A2008467	INSULATION SHIELD	1	EA	
	NOTE	(NO LONGER USED ON THIS MODEL)			
3	PE050057	CONVECTION FAN (VGSC306)	1	EA	
	NOTE	(BEFORE 8/31/13)		EA	
NI	023090-000	MOTOR, CONV ASM	1	EA	
	NOTE	(ON OR AFTER 8/31/13)		EA	
4	M0210443	SCREW-E SM VM0210443	7	EA	
5	A2004428	REAR BOTTOM BRCKT (VGSC306)	1	EA	
6	G9104482	CONVECTION FAN COVER ASSY (VGSC306)	1	EA	NO LONGER AVAILABLE
	NOTE	(BEFORE 04/28/10)			
6	021225-403	COVER, CNVN, ASM, GY PORC	1	EA	
	NOTE	(BETWEEN 04/28/10 THRU 12/20/12)			
6	021225-402	COVER, CNVN, ASM, BK PORC	1	EA	
	NOTE	(BETWEEN 12/20/12 THRU 11/30/17)			
6	013580-402	CONV COVER W/BK PORC	1	EA	
	NOTE	(ON OR AFTER 11/30/17)			
7	A1002596	CONVECTION FAN COVER (VDSC)	1	EA	
8	PD020048	NO.10 X 1/2 TEK 410 SS SCREW	15	EA	
9	PE050206	RTD THERMOSTAT PROBE	1	EA	
10	NOT REPLACEABLE	OVEN CAVITY WELD	N/A	EA	

LEG ASSY



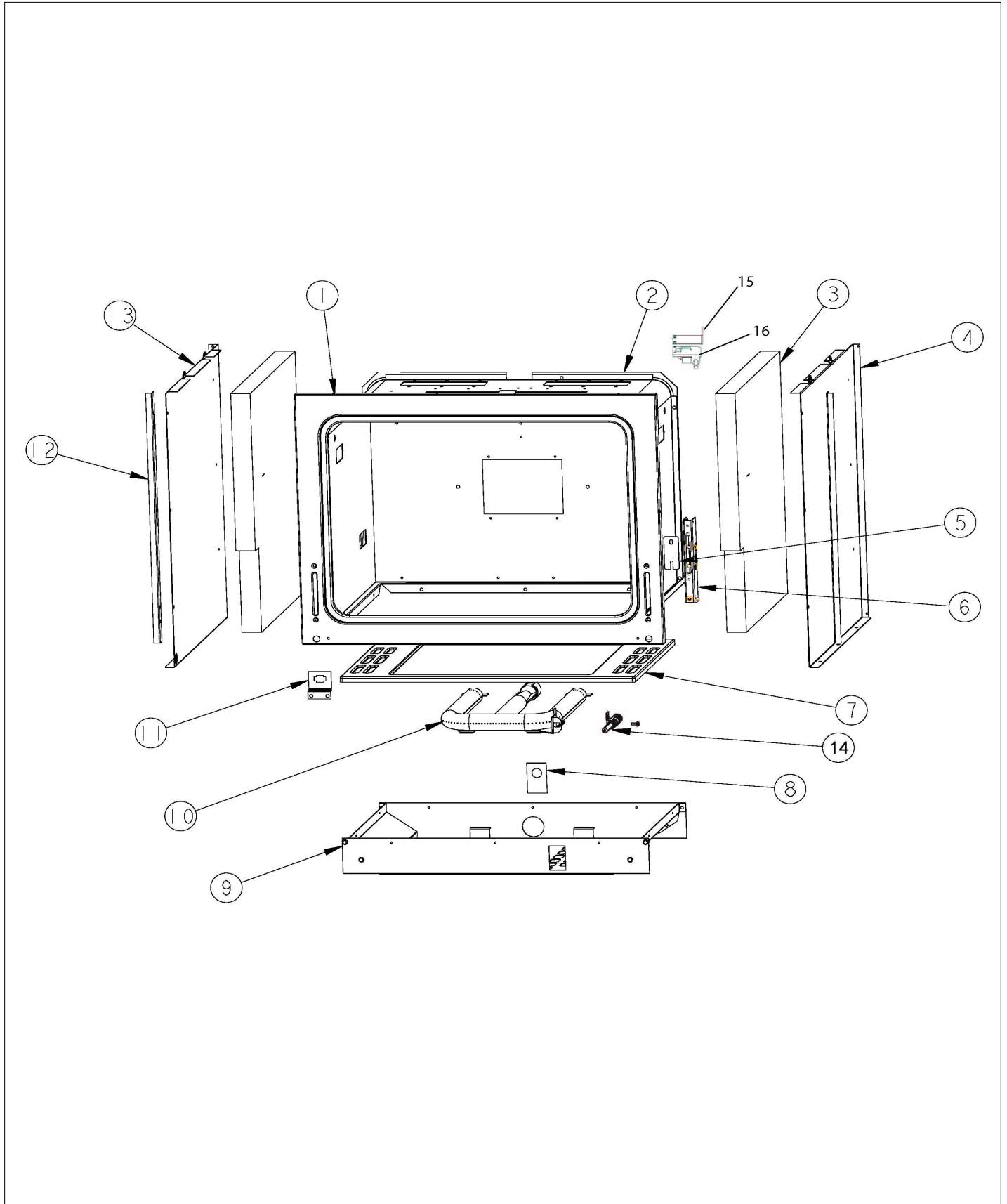
Item	Part No.	Name	Qty	Uom	NOTES
1	NOT REPLACEABLE	OVEN BASE	N/A	EA	
2	003860-000	10-18 x .500 FASTNR,SCR,HXWH,STL,ZPLT	16	EA	
3	PC030007	PLATE,LEG	4	EA	
4	044178-000	RANGE, LEG, ADJUSTABLE	4	EA	
5	006199-000	SPACER, BOT, 30", GSC	1	EA	
6	006198-000	PANEL, ACS, 30", GSC	1	EA	
	NOTE	(BEFORE 06/14/12)			
6	035955-000	PANEL, ACS, 30", GSC	1	EA	
	NOTE	(FROM 6/14/12 - 6/14/13)			
6	038426-000	KICKPLATE,30"	1	EA	
	NOTE	(ON OR AFTER 06/14/13)			
6	007361-002	PANEL, ACS, 30", KICKPLATE, BK	1	EA	
	NOTE	(BEFORE 06/14/13)			
6	038577-002	KICKPLATE, 30" BK	1	EA	
	NOTE	(ON OR AFTER 06/14/13)			
6	007361-003	PANEL, ACS, 30", KICKPLATE, BT	1	EA	
	NOTE	(BEFORE 06/14/13)			
6	038577-003	KICKPLATE 30" BT	1	EA	
	NOTE	(ON OR AFTER 06/14/13)			
6	007361-004	PANEL, ACS, 30", KICKPLATE, SG	1	EA	
	NOTE	(BEFORE 06/14/13)			
6	038577-004	KICKPLATE 30" SG	1	EA	
	NOTE	(ON OR AFTER 06/14/13)			
6	007361-005	PANEL, ACS, 30", KICKPLATE, GG	1	EA	
	NOTE	(BEFORE 06/14/13)			
6	038577-005	KICKPLATE, 30" GG	1	EA	
	NOTE	(ON OR AFTER 06/14/13)			
6	007361-006	PANEL, ACS, 30", KICKPLATE, WH	1	EA	
	NOTE	(BEFORE 06/14/13)			

Item	Part No.	Name	Qty	Uom	NOTES
6	038577-006	KICKPLATE, 30" WH	1	EA	
	NOTE	(ON OR AFTER 06/14/13)			
6	007361-008	PANEL, ACS, 30", KICKPLATE, BU	1	EA	
	NOTE	(BEFORE 06/14/13)			
6	038577-008	KICKPLATE, 30" BU	1	EA	
	NOTE	(ON OR AFTER 06/14/13)			
6	007361-009	PANEL, ACS, 30", KICKPLATE, LE	1	EA	
	NOTE	(BEFORE 06/14/13)			
6	038577-009	KICKPLATE 30" LE	1	EA	
	NOTE	(ON OR AFTER 06/14/13)			
6	007361-010	PANEL, ACS, 30", KICKPLATE, MJ	1	EA	
	NOTE	(BEFORE 06/14/13)			
6	038577-010	KICKPLATE 30" MJ	1	EA	
	NOTE	(ON OR AFTER 06/14/13)			
6	007361-012	PANEL, ACS, 30", KICKPLATE, VB	1	EA	
	NOTE	(BEFORE 06/14/13)			
6	038577-012	KICKPLATE 30" VB	1	EA	
	NOTE	(ON OR AFTER 06/14/13)			
6	007361-013	PANEL, ACS, 30", KICKPLATE, CB	1	EA	
	NOTE	(BEFORE 06/14/13)			
6	038577-013	KICKPLATE, 30" CB	1	EA	
	NOTE	(ON OR AFTER 06/14/13)			
6	007361-015	PANEL, ACS, 30", KICKPLATE, PL	1	EA	
	NOTE	(BEFORE 06/14/13)			
6	038577-015	KICKPLATE 30" CH	1	EA	
	NOTE	(ON OR AFTER 06/14/13)			
6	007361-016	PANEL, ACS, 30", KICKPLATE, CH	1	EA	Not available online / Call for pricing and availability
	NOTE	(BEFORE 06/14/13)			

Item	Part No.	Name	Qty	Uom	NOTES
6	038577-015	KICKPLATE 30" CH	1	EA	
	NOTE	(ON OR AFTER 06/14/13)			
6	007361-017	PANEL, ACS, 30" KICKPLATE, TP	1	EA	
	NOTE	(BEFORE 06/14/13)			
6	038577-017	KICKPLATE 30" OG	1	EA	
	NOTE	(ON OR AFTER 06/14/13)			
6	007361-018	PANEL, ACS, 30" KICKPLATE, CW NLA	1	EA	
	NOTE	(BEFORE 06/14/13)			
6	038577-017	KICKPLATE 30" OG	1	EA	
	NOTE	(ON OR AFTER 06/14/13)			
6	007361-019	PANEL, ACS, 30", KICKPLATE, OG	1	EA	
	NOTE	(BEFORE 06/14/13)			
6	038577-017	KICKPLATE 30" OG	1	EA	
	NOTE	(ON OR AFTER 06/14/13)			
6	007361-020	PANEL, ACS, 30", KICKPLATE, GM	1	EA	
	NOTE	(BEFORE 06/14/13)			
6	038577-020	KICKPLATE 30" GM	1	EA	
	NOTE	(ON OR AFTER 06/14/13)			
6	007361-021	PANEL, ACS, 30", KICKPLATE, SA	1	EA	
	NOTE	(BEFORE 06/14/13)			
6	038577-021	KICKPLATE 30" SA	1	EA	
	NOTE	(ON OR AFTER 06/14/13)			
6	007361-022	PANEL, ACS, 30" KICKPLATE, SE	1	EA	Not available online / Call for pricing and availability
	NOTE	(BEFORE 06/14/13)			
6	038577-022	KICKPLATE 30" SE	1	EA	
	NOTE	(ON OR AFTER 06/14/13)			
6	007361-023	PANEL, ACS, 30", KICKPLATE, IB	1	EA	
	NOTE	(BEFORE 06/14/13)			

Item	Part No.	Name	Qty	Uom	NOTES
6	038577-023	KICKPLATE 30" IB	1	EA	
	NOTE	(ON OR AFTER 06/14/13)			
6	007361-024	PANEL, ACS, 30", KICKPLATE, AR	1	EA	
	NOTE	(BEFORE 06/14/13)			
6	038577-024	KICKPLATE, 30" AR	1	EA	
	NOTE	(ON OR AFTER 06/14/13)			
6	007361-025	PANEL, ACS, 30", KICKPLATE, RR	1	EA	
	NOTE	(BEFORE 06/14/13)			
6	038577-025	KICKPLATE 30" RR	1	EA	
	NOTE	(ON OR AFTER 06/14/13)			
6	007361-026	PANEL, ACS, 30", KICKPLATE, PM	1	EA	
	NOTE	(BEFORE 06/14/13)			
6	038577-026	KICKPLATE, 30" PM	1	EA	
	NOTE	(ON OR AFTER 06/14/13)			
6	007361-027	PANEL, ACS, 30", KICKPLATE, MS	1	EA	
	NOTE	(BEFORE 06/14/13)			
6	038577-027	KICKPLATE 30" MS	1	EA	
	NOTE	(ON OR AFTER 06/14/13)			
7	PD020068	' #10 - 32 X 1/2"TRUSS. PHIL. M.*SS*	4	EA	

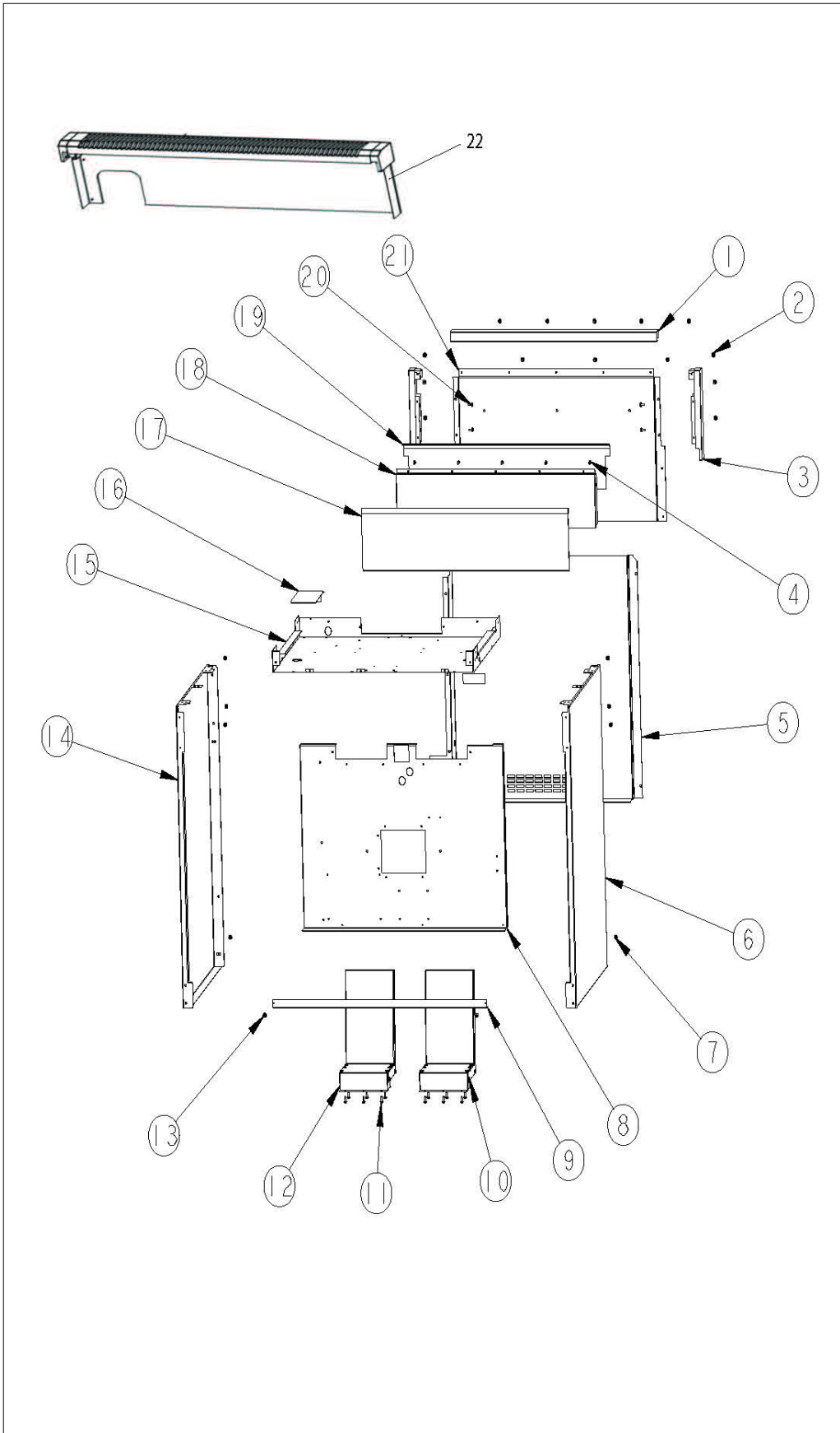
OVEN CAVITY



Item	Part No.	Name	Qty	Uom	NOTES
1	005373-000	30" FRONT FRAME WELD ASSY	1	EA	
	NOTE	(BEFORE 12/20/12)			
1	005373-402	FRAME, FRONT, ASM, 30", PORCELAIN, BK	1	EA	
	NOTE	(AFTER 12/20/12)			
2	NOT REPLACEABLE	OVEN CAVITY	N/A	EA	
3	PB070302	SIDE INSULATION	2	EA	
4	004479-000	INSULATION, PNL, SIDE, RH	1	EA	
5	007278-000	ARM HINGE CLIP	2	EA	
	NOTE	(BEFORE 01/02/13)		EA	
5	049718-402	CLIP, RETAINER, HINGE, GLOSS BLACK ENAMEL	2	EA	
	NOTE	(AFTER 01/02/13)			
6	031679-000	RECEPTACLE, HINGE	1	EA	
7	068456-000	ASM, BOTTOM, CAVITY, OVEN, GAS, 30", GRAY	1	EA	
	NOTE	(INCLUDES HEAT SHIELD)			
	NOTE	(BEFORE 12/20/12)			
7	066203-000	ASM, BOTTOM, CAVITY, OVEN, GAS, 30"	1	EA	
	NOTE	(INCLUDES HEAT SHIELD)			
	NOTE	(ON OR AFTER 12/20/12)			
8	005529-000	BAKE ORIFICE MOUNTING BRACKET	1	EA	
	NOTE	(BEFORE 2/11/13)			
8	040736-000	BRKT, ORF	1	EA	
	NOTE	(ON OR AFTER 2/11/13)			
9	NOT REPLACEABLE	BURNER PAN	N/A	EA	
10	005329-000	BURNER, OVEN, ASM	1	EA	
11	005280-000	DISCONNECT BRKT	1	EA	
12	005536-000	TRIM	2	EA	
13	004482-000	INSULATION, PNL, SIDE, LH	1	EA	
14	PB040170	BAKE IGNITION ELECTRODE	1	EA	
15	A20012649	DOOR SWITCH BRACKET	1	EA	
16	PE050208	DOOR SWITCH	1	EA	

Item	Part No.	Name	Qty	Uom	NOTES
NI	PB040071	NATURAL BAKE ORIFICE #35	1	EA	
	NOTE	(NATURAL ORIFICE FOR BAKE)		EA	
NI	PB040035	ORIFICE HOOD-#51 9701B1651	1	EA	
	NOTE	(LP ORIFICE FOR BAKE)			

REAR SHEET METAL



Item	Part No.	Name	Qty	Uom	NOTES
1	003810-000	BACKGUARD TOP, SS	1	EA	
2	PD020056	#10-24 X 1/2" PH. TR. M.S. SS	2	EA	
3	002703-000	BACKGUARD ENDCAP	2	EA	
4	PD020067	#6 X 3/8" PAN PHIL. TEK *SS*	5	EA	
5	032157-000	PANEL, OUTER, 30"	1	EA	
6	002905-000	SIDE PANEL, RH, SST	1	EA	
	NOTE	(BEFORE 04/29/13)		EA	
6	042666-000	COVER, OS, RH	1	EA	
	NOTE	(BETWEEN 04/29/13 - 02/15/16)		EA	
6	056873-000	PANEL, SIDE, RH	1	EA	
	NOTE	(ON OR AFTER 02/15/16)		EA	
6	004645-002	SIDE PANEL, RH ASSY, PAINTED BK	1	EA	
	NOTE	(BEFORE 06/03/13)		EA	
6	042679-002	COVER, OS, RH BK	1	EA	
	NOTE	(BETWEEN 06/03/13 - 02/15/16)		EA	
6	004645-003	SIDE PANEL, RH ASSY, PAINTED BT	1	EA	
	NOTE	(BEFORE 06/03/13)		EA	
6	042679-003	COVER, OS, RH BT	1	EA	
	NOTE	(BETWEEN 06/03/13 - 02/15/16)		EA	
6	004645-004	SIDE PANEL, RH ASSY, PAINTED SG	1	EA	
	NOTE	(BEFORE 06/03/13)		EA	
6	042679-004	COVER, OS, RH SG	1	EA	
	NOTE	(BETWEEN 06/03/13 - 02/15/16)		EA	
6	004645-005	SIDE PANEL, RH ASSY, PAINTED GG	1	EA	
	NOTE	(BEFORE 06/03/13)		EA	
6	042679-005	COVER, OS, RH GG	1	EA	
	NOTE	(BETWEEN 06/03/13 - 02/15/16)		EA	
6	004645-006	SIDE PANEL, RH ASSY, PAINTED WH	1	EA	
	NOTE	(BEFORE 06/03/13)		EA	
6	042679-006	COVER, OS, RH WH	1	EA	

Item	Part No.	Name	Qty	Uom	NOTES
	NOTE	(BETWEEN 06/03/13 - 02/15/16)		EA	
6	004645-007	SIDE PANEL, RH ASSY, PAINTED AL	1	EA	
	NOTE	(BEFORE 06/03/13)		EA	
6	042679-007	COVER, OS, RH AL	1	EA	
	NOTE	(BETWEEN 06/03/13 - 02/15/16)		EA	
6	004645-008	SIDE PANEL, RH ASSY, PAINTED BU	1	EA	
	NOTE	(BEFORE 06/03/13)		EA	
6	042679-008	COVER, OS, RH BU	1	EA	
	NOTE	(BETWEEN 06/03/13 - 02/15/16)		EA	
6	004645-009	SIDE PANEL, RH ASSY, PAINTED LE	1	EA	
	NOTE	(BEFORE 06/03/13)		EA	
6	042679-009	COVER, OS, RH LE	1	EA	
	NOTE	(BETWEEN 06/03/13 - 02/15/16)		EA	
6	004645-010	SIDE PANEL, RH ASSY, PAINTED MJ	1	EA	
	NOTE	(BEFORE 06/03/13)		EA	
6	042679-010	COVER, OS, RH MJ	1	EA	
	NOTE	(BETWEEN 06/03/13 - 02/15/16)		EA	
6	004645-011	SIDE PANEL, RH ASSY, PAINTED FG	1	EA	
	NOTE	(BEFORE 06/03/13)		EA	
6	042679-011	COVER, OS, RH FG	1	EA	
	NOTE	(BETWEEN 06/03/13 - 02/15/16)		EA	
6	004645-012	SIDE PANEL, RH ASSY, PAINTED VB	1	EA	
	NOTE	(BEFORE 06/03/13)		EA	
6	042679-012	COVER, OS, RH VB	1	EA	
	NOTE	(BETWEEN 06/03/13 - 02/15/16)		EA	
6	004645-013	SIDE PANEL, RH ASSY, PAINTED CB	1	EA	
	NOTE	(BEFORE 06/03/13)		EA	
6	042679-013	COVER, OS, RH CB	1	EA	
	NOTE	(BETWEEN 06/03/13 - 02/15/16)		EA	

Item	Part No.	Name	Qty	Uom	NOTES
6	004645-014	SIDE PANEL, RH ASSY, PAINTED EP	1	EA	
	NOTE	(BEFORE 06/03/13)		EA	
6	042679-014	COVER, OS, RH EP	1	EA	
	NOTE	(BETWEEN 06/03/13 - 02/15/16)		EA	
6	004645-015	SIDE PANEL, RH ASSY, PAINTED PL	1	EA	
	NOTE	(BEFORE 06/03/13)		EA	
6	042679-015	COVER, OS, RH PL	1	EA	
	NOTE	(BETWEEN 06/03/13 - 02/15/16)		EA	
6	004645-016	SIDE PANEL, RH ASSY, PAINTED CH	1	EA	
	NOTE	(BEFORE 06/03/13)		EA	
6	042679-016	COVER, OS, RH CH	1	EA	
	NOTE	(BETWEEN 06/03/13 - 02/15/16)		EA	
6	004645-017	SIDE PANEL, RH ASSY, PAINTED TP	1	EA	
	NTOE	(BEFORE 01/02/13)		EA	
6	042679-017	COVER, OS, RH TP	1	EA	
	NOTE	(BETWEEN 06/03/13 - 02/15/16)		EA	
6	004645-018	SIDE PANEL, RH ASSY, PAINTED CW	1	EA	
	NOTE	(BEFORE 06/03/13)		EA	
6	042679-018	COVER, OS, RH CW	1	EA	
	NOTE	(BETWEEN 06/03/13 - 02/15/16)		EA	
6	004645-019	SIDE PANEL, RH ASSY, PAINTED OG	1	EA	
	NTOE	(BEFORE 01/02/13)		EA	
6	042769-019	COVER, OS, RH OG	1	EA	
	NOTE	(BETWEEN 06/03/13 - 02/15/16)		EA	
6	004645-020	SIDE PANEL, RH ASSY, PAINTED GM	1	EA	
	NOTE	(BEFORE 06/03/13)		EA	
6	042769-020	COVER, OS, RH GM	1	EA	
	NTOE	(BEFORE 01/02/13)		EA	

Item	Part No.	Name	Qty	Uom	NOTES
6	004645-021	SIDE PANEL, RH ASSY, PAINTED SA	1	EA	
	NOTE	(BEFORE 06/03/13)		EA	
6	042769-021	CIVER, OS, RH SA	1	EA	
	NOTE	(BETWEEN 06/03/13 - 02/15/16)		EA	
6	004645-022	SIDE PANEL, RH ASSY, PAINTED SE	1	EA	
	NOTE	(BEFORE 06/03/13)		EA	
6	042769-022	COVER, OS, RH SE	1	EA	
	NOTE	(BETWEEN 06/03/13 - 02/15/16)		EA	
6	004645-023	SIDE PANEL, RH ASSY, PAINTED IB	1	EA	
	NOTE	(BEFORE 06/03/13)		EA	
6	042769-023	COVER, OS, RH IB	1	EA	
	NOTE	(BETWEEN 06/03/13 - 02/15/16)		EA	
6	004645-024	SIDE PANEL, RH ASSY, PAINTED AR	1	EA	
	NOTE	(BEFORE 06/03/13)		EA	
6	042769-024	COVER, OS, RH AR	1	EA	
	NOTE	(BETWEEN 06/03/13 - 02/15/16)		EA	
6	004645-025	SIDE PANEL, RH ASSY, PAINTED RR	1	EA	
	NTOE	(BEFORE 01/02/13)		EA	
6	042769-025	COVER, OS, RH RR	1	EA	
	NOTE	(BETWEEN 06/03/13 - 02/15/16)		EA	
6	004645-026	SIDE PANEL, RH ASSY, PAINTED PM	1	EA	
	NOTE	(BEFORE 06/03/13)		EA	
6	042769-026	COVER, OS, RH MS	1	EA	
	NOTE	(BETWEEN 06/03/13 - 02/15/16)		EA	
6	004645-027	SIDE PANEL, RH ASSY, PAINTED MS	1	EA	
	NTOE	(BEFORE 01/02/13)		EA	
6	042769-026	COVER, OS, RH MS	1	EA	
	NOTE	(BETWEEN 06/03/13 - 02/15/16)		EA	

Item	Part No.	Name	Qty	Uom	NOTES
7	003860-000	10-18 x .500 FASTNR,SCR,HXWH,STL,ZPLT	11	EA	
8	020404-000	FLAT PANEL	1	EA	
9	006199-000	SPACER, BOT, 30", GSC	1	EA	
10	PD020046	#8 X 1/2 SCREWS	8	EA	
11	PD020048	NO.10 X 1/2 TEK 410 SS SCREW	18	EA	
12	006192-000	VENT, ASM, OVEN ASSEMBLY	2	EA	
13	003801-000	SHOULDER SCREW, #10	2	EA	
14	003588-000	SIDE PANEL, LH, SS	1	EA	
	NOTE	(BEFORE 04/29/13)		EA	
14	042648-000	COVER, OS, LH	1	EA	
	NOTE	(BETWEEN 04/29/13 - 02/15/16)		EA	
14	056872-000	PANEL, SIDE, LH	1	EA	
	NOTE	(ON OR AFTER 02/15/16)		EA	
14	005505-002	PANEL, SIDE, DECARB, LH, BK	1	EA	
	NTOE	(BEFORE 01/02/13)		EA	
14	042678-002	COVER, OS, LH BK	1	EA	
	NOTE	(BETWEEN 06/03/13 - 02/15/16)		EA	
14	005505-003	SIDE PANEL, LH ASSY, PAINTED BT	1	EA	
	NOTE	(BEFORE 06/03/13)		EA	
14	042678-003	COVER, OS, LH BT	1	EA	
	NOTE	(BETWEEN 06/03/13 - 02/15/16)		EA	
14	005505-004	SIDE PANEL, LH ASSY, PAINTED SG	1	EA	
	NOTE	(BEFORE 06/03/13)		EA	
14	042678-004	COVER, OS, LH SG	1	EA	
	NOTE	(BETWEEN 06/03/13 - 02/15/16)		EA	
14	005505-005	PANEL, SIDE, DECARB, LH, GG	1	EA	
	NOTE	(BEFORE 06/03/13)		EA	
14	042678-005	COVER, OS, LH GG	1	EA	
	NOTE	(BETWEEN 06/03/13 - 02/15/16)		EA	
14	005505-006	PANEL, SIDE, DECARB, LH, WH	1	EA	NO LONGER AVAILABLE

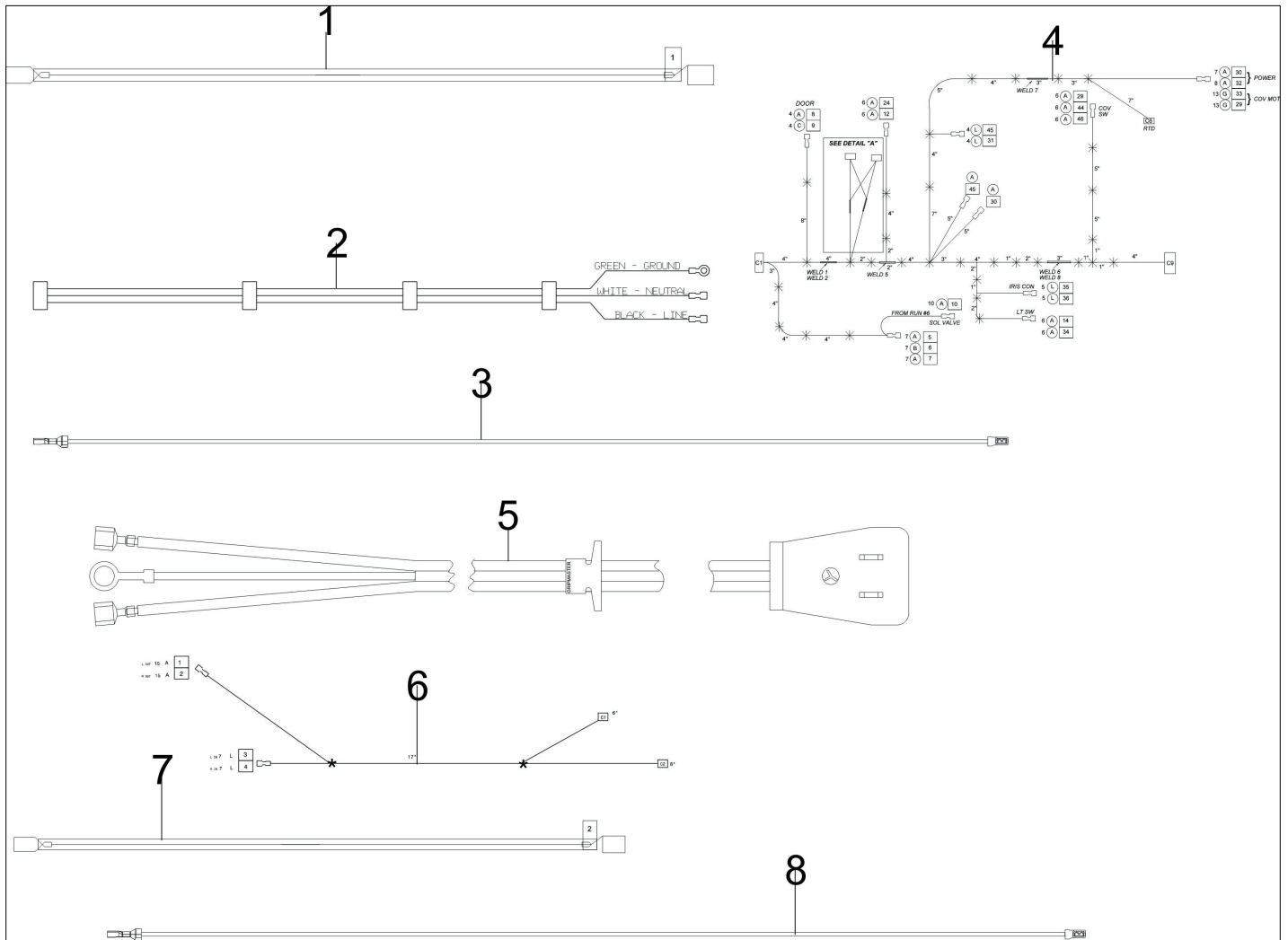
Item	Part No.	Name	Qty	Uom	NOTES
	NOTE	(BEFORE 06/03/13)		EA	
14	042678-006	COVER, OS, LH WH	1	EA	
	NOTE	(BETWEEN 06/03/13 - 02/15/16)		EA	
14	005505-007	SIDE PANEL, LH ASSY, PAINTED AL	1	EA	
	NOTE	(BEFORE 06/03/13)		EA	
14	042678-007	COVER, OS, LH AL	1	EA	
	NOTE	(BETWEEN 06/03/13 - 02/15/16)		EA	
14	005505-008	PANEL, SIDE, DECARB, LH, BU	1	EA	
	NOTE	(BEFORE 06/03/13)		EA	
14	042678-008	COVER, OS, LH BU	1	EA	
	NOTE	(BETWEEN 06/03/13 - 02/15/16)		EA	
14	005505-009	SIDE PANEL, LH ASSY, PAINTED LE	1	EA	
	NOTE	(BEFORE 06/03/13)		EA	
14	042678-009	COVER, OS, LH LE	1	EA	
	NOTE	(BETWEEN 06/03/13 - 02/15/16)		EA	
14	005505-010	SIDE PANEL, LH ASSY, PAINTED MJ	1	EA	
	NOTE	(BEFORE 06/03/13)		EA	
14	042678-010	COVER, OS, LH MJ	1	EA	
	NOTE	(BETWEEN 06/03/13 - 02/15/16)		EA	
14	005505-011	SIDE PANEL, LH ASSY, PAINTED FG	1	EA	
	NOTE	(BEFORE 06/03/13)		EA	
14	042678-011	COVER, OS, LH FG	1	EA	
	NOTE	(BETWEEN 06/03/13 - 02/15/16)		EA	
14	005505-012	SIDE PANEL, LH ASSY, PAINTED VB	1	EA	
	NTOE	(BEFORE 01/02/13)		EA	
14	042678-012	COVER, OS, LH VB	1	EA	
	NOTE	(BETWEEN 06/03/13 - 02/15/16)		EA	
14	005505-013	PANEL, SIDE, DECARB, LH, CB	1	EA	
	NOTE	(BEFORE 06/03/13)		EA	
14	042678-013	COVER, OS, LH EP	1	EA	

Item	Part No.	Name	Qty	Uom	NOTES
	NOTE	(BETWEEN 06/03/13 - 02/15/16)		EA	
14	005505-014	SIDE PANEL, LH ASSY, PAINTED EP	1	EA	
	NOTE	(BEFORE 06/03/13)		EA	
14	042678-013	COVER, OS, LH EP	1	EA	
	NOTE	(BETWEEN 06/03/13 - 02/15/16)		EA	
14	005505-015	SIDE PANEL, LH ASSY, PAINTED PL	1	EA	
	NOTE	(BEFORE 06/03/13)		EA	
14	042678-015	COVER, OS, LH PL	1	EA	
	NOTE	(BETWEEN 06/03/13 - 02/15/16)		EA	
14	005505-016	SIDE PANEL, LH ASSY, PAINTED CH	1	EA	
	NOTE	(BEFORE 06/03/13)		EA	
14	042678-016	COVER, OS, LH CH	1	EA	
	NOTE	(BETWEEN 06/03/13 - 02/15/16)		EA	
14	005505-017	SIDE PANEL, LH ASSY, PAINTED TP	1	EA	
	NOTE	(BEFORE 06/03/13)		EA	
14	042678-017	COVER, OS, LH TP	1	EA	
	NOTE	(BETWEEN 06/03/13 - 02/15/16)		EA	
14	005505-018	SIDE PANEL, LH ASSY, PAINTED CW	1	EA	
	NOTE	(BEFORE 06/03/13)		EA	
14	042678-018	COVER, OS, LH CW	1	EA	
	NOTE	(BETWEEN 06/03/13 - 02/15/16)		EA	
14	005505-019	SIDE PANEL, LH ASSY, PAINTED OG	1	EA	
	NOTE	(BEFORE 06/03/13)		EA	
14	042678-019	COVER, OS, LH OG	1	EA	
	NOTE	(BETWEEN 06/03/13 - 02/15/16)		EA	
14	005505-020	SIDE PANEL, LH ASSY, PAINTED GM	1	EA	
	NOTE	(BEFORE 06/03/13)		EA	
14	042678-020	COVER, OS, LH GM	1	EA	
	NOTE	(BETWEEN 06/03/13 - 02/15/16)		EA	

Item	Part No.	Name	Qty	Uom	NOTES
14	005505-021	SIDE PANEL, LH ASSY, PAINTED SA	1	EA	
	NOTE	(BEFORE 06/03/13)		EA	
14	042678-021	COVER, OS, LH SA	1	EA	
	NOTE	(BETWEEN 06/03/13 - 02/15/16)		EA	
14	005505-022	SIDE PANEL, LH ASSY, PAINTED SE	1	EA	
	NOTE	(BEFORE 06/03/13)		EA	
14	042678-022	COVER, OS, LH SE	1	EA	
	NTOE	(BEFORE 01/02/13)		EA	
14	005505-023	SIDE PANEL, LH ASSY, PAINTED IB	1	EA	
	NOTE	(BEFORE 06/03/13)		EA	
14	042678-023	COVER, OS, LH IB	1	EA	
	NOTE	(BETWEEN 06/03/13 - 02/15/16)		EA	
14	005505-024	PANEL, SIDE, DECARB, LH, AR	1	EA	
	NOTE	(BEFORE 06/03/13)		EA	
14	042678-024	COVER, OS, LH AR	1	EA	
	NOTE	(BETWEEN 06/03/13 - 02/15/16)		EA	
14	005505-025	SIDE PANEL, LH ASSY, PAINTED RR	1	EA	
	NOTE	(BEFORE 06/03/13)		EA	
14	042678-025	COVER, OS, LH RR	1	EA	
	NOTE	(BETWEEN 06/03/13 - 02/15/16)		EA	
14	005505-026	SIDE PANEL, LH ASSY, PAINTED PM	1	EA	
	NOTE	(BEFORE 06/03/13)		EA	
14	042678-026	COVER, OS, LH PM	1	EA	
	NOTE	(BETWEEN 06/03/13 - 02/15/16)		EA	
14	005505-027	SIDE PANEL, LH ASSY, PAINTED MS	1	EA	
	NOTE	(BEFORE 06/03/13)		EA	
14	042678-027	COVER, OS, LH MS	1	EA	
	NOTE	(BETWEEN 06/03/13 - 02/15/16)		EA	
15	NOT REPLACEBLE	CABINET TOP	N/A	EA	

Item	Part No.	Name	Qty	Uom	NOTES
16	004016-000	PLATE,SVCE,RGLT	1	EA	
17	006635-000	PANEL, FR, BACKGUARD, 30"	1	EA	NO LONGER AVAILABLE
18	006634-000	SUPPORT, BACKGUARD, 30"	1	EA	
19	006638-000	SHEILD, HEAT, BACKGUARD	1	EA	
20	PD010003	10-24 X 1/2 PH.TR.HD.SERD.M.S.	8	EA	
21	006637-000	BACKGUARD, BACK	1	EA	
22	004464-000	TRIM, IS, ASM, REDESIGN, 30"	1	EA	
	NOTE	(BEFORE 01/17/13)			
22	041445-000	TRIM, IS, ASSY, 30"	1	EA	
	NOTE	(ON OR AFTER 01/17/13)			
NI	A2002654	ANTI-TIP DEVICE (VDSC)	1	EA	
NI	034927-000	BRACKET, ANTI-TIP	1	EA	
NI	034928-000	BRACKET, HOOK, ANTI-TIP	1	EA	

WIRING



Item	Part No.	Name	Qty	Uom	NOTES
1	024606-000	WIRE, BAKE, ELECTRODE, ASM	1	EA	
2	023341-000	IRIS HARNESS 24, 30	1	EA	
3	000647-000	IRIS IGNITOR WIRE, FRONT BURNER	2	EA	
4	025987-000	HARN, VGCC 30	1	EA	
5	023750-000	CORD, SUPPLY	1	EA	
6	001754-000	HARNESS POWER DISCONNECT	1	EA	NO LONGER AVAILABLE
7	024605-000	WIRE, BRL, ELECTRODE, ASM	1	EA	
8	006766-000	IRIS IGNITOR WIRE, BACK BURNER	2	EA	

VGCC530 cooling fan data

NON-ILLUSTRATED



Item	Part No.	Name	Qty	Uom	NOTES
NI	TC-0066-SP	Cooling fan bulletin, units built prior to serial 101713C10113755	1	EA	
NI	046973-000	Harness for blower, after serial 101713C10113755 before	1	EA	
	INFO	serial 010714C10122929		EA	
NI	029399-000	FAN,BLO,2 SPEED	1	EA	
	INFO	serial 010714C10122929		EA	
NI	048811-000	Harness for blower, on or after serial 010714C10122929	1	EA	
NI	080972-000	FAN, COOLING, DUAL, 120V, 60 X 180mm	1	EA	
	NOTE	(ON OR AFTER SERIAL 010714C10122929		EA	
NI	012438-000	SWITCH, LIM, BRKT	1	EA	
NI	PJ030022	BI-METAL THERMOSTAT, 115 DEGREES (FAN SWITCH)	1	EA	



Appendix A:Pages Index

BROILER AND RACKS 1
BURNER BOX INTERIOR 2
BURNER TOP 3
CONTROLS 4
DOOR 5
FAN ASSY 6
LEG ASSY 7
OVEN CAVITY 8
REAR SHEET METAL 9
VGCC530 cooling fan data 11
WIRING 10

Appendix B:Parts Index

000042-000	5	004645-006	9
000594-000	5	004645-007	9
000647-000	10	004645-008	9
001142-000	5	004645-009	9
001142-402	5	004645-010	9
001394-040	3	004645-011	9
001394-043	3	004645-012	9
001394-046	3	004645-013	9
001754-000	10	004645-014	9
002560-000	5	004645-015	9
002703-000	9	004645-016	9
002728-000	5	004645-017	9
002740-000	5	004645-018	9
002755-000	2	004645-019	9
002905-000	9	004645-020	9
002907-000	3	004645-021	9
002920-000	3	004645-022	9
002923-000	3	004645-023	9
002925-000	3	004645-024	9
002926-000	4	004645-025	9
003011-000	5	004645-026	9
003012-000	5	004645-027	9
003322-040	3	004684-000	5
003322-041	3	004685-000	5
003481-000	2	004688-000	5, 5
003588-000	9	004691-000	5
003649-000	3	004691-402	5
003719-000	4	004907-000	5
003801-000	9	005269-000	4
003810-000	9	005280-000	8
003860-000	2, 7, 9	005315-000	2
004016-000	9	005329-000	8
004021-000	3	005372-000	2
004464-000	9	005373-000	8
004479-000	8	005373-402	8
004482-000	8	005475-000	5
004645-002	9	005505-002	9
004645-003	9	005505-003	9
004645-004	9	005505-004	9
004645-005	9	005505-005	9
		005505-006	9

005505-007	9	007361-002	7
005505-008	9	007361-003	7
005505-009	9	007361-004	7
005505-010	9	007361-005	7
005505-011	9	007361-006	7
005505-012	9	007361-008	7
005505-013	9	007361-009	7
005505-014	9	007361-010	7
005505-015	9	007361-012	7
005505-016	9	007361-013	7
005505-017	9	007361-015	7
005505-018	9	007361-016	7
005505-019	9	007361-017	7
005505-020	9	007361-018	7
005505-021	9	007361-019	7
005505-022	9	007361-020	7
005505-023	9	007361-021	7
005505-024	9	007361-022	7
005505-025	9	007361-023	7
005505-026	9	007361-024	7
005505-027	9	007361-025	7
005529-000	8	007361-026	7
005536-000	8	007361-027	7
006035-000	2	007362-002	5
006114-000	2	007362-005	5
006192-000	9	007362-006	5
006198-000	7	007362-008	5
006199-000	7, 9	007362-013	5
006313-000	4	007362-024	5
006338-000	2	008097-000	5
006339-000	2	008416-000	4
006531-000	4	009112-000	2
006553-000	5	009197-000	3
006634-000	9	009331-000	4
006635-000	9	012438-000	11
006637-000	9	013213-000	4
006638-000	9	013386-000	4
006766-000	10	013580-402	6
007147-000	4	015170-000	4
007278-000	8	015196-000	2
007323-000	3	015199-000	2

015200-000	2	038577-021	7
020404-000	9	038577-022	7
020409-000	1	038577-023	7
021225-402	6	038577-024	7
021225-403	6	038577-025	7
023090-000	6	038577-026	7
023341-000	10	038577-027	7
023651-000	2	040736-000	8
023750-000	10	041445-000	9
024605-000	10	042648-000	9
024606-000	10	042666-000	9
025098-000	4	042678-002	9
025717-2068	4	042678-003	9
025987-000	10	042678-004	9
029399-000	11	042678-005	9
030823-000	5	042678-006	9
031679-000	8	042678-007	9
032157-000	9	042678-008	9
034927-000	9	042678-009	9
034928-000	9	042678-010	9
035632-000	5	042678-011	9
035721-2068	4	042678-012	9
035795-000	4, 4	042678-013	9, 9
035881-000	4	042678-015	9
035891-000	4	042678-016	9
035955-000	7	042678-017	9
035957-000	4	042678-018	9
038426-000	7	042678-019	9
038577-002	7	042678-020	9
038577-003	7	042678-021	9
038577-004	7	042678-022	9
038577-005	7	042678-023	9
038577-006	7	042678-024	9
038577-008	7	042678-025	9
038577-009	7	042678-026	9
038577-010	7	042678-027	9
038577-012	7	042679-002	9
038577-013	7	042679-003	9
038577-015	7, 7	042679-004	9
038577-017	7, 7, 7	042679-005	9
038577-020	7	042679-006	9

042679-007	9	079905-000	4
042679-008	9	080972-000	11
042679-009	9	085109-000	1
042679-010	9	A1002596	6
042679-011	9	A20012649	8
042679-012	9	A2001361	6
042679-013	9	A2002654	9
042679-014	9	A2004428	6
042679-015	9	A2008467	6
042679-016	9	B2005589	1
042679-017	9	E9107413BK	3
042679-018	9	E9107413WH	3
042769-019	9	E9107933	1
042769-020	9	E9107934	1
042769-021	9	G9104482	6
042769-022	9	INFO	11, 11
042769-023	9	M0210443	6
042769-024	9	NTOE	9, 9, 9, 9, 9, 9, 9, 9
042769-025	9	PA010139	2
042769-026	9, 9	PA020056	2
044178-000	7	PA070003	4
046973-000	11	PB010284	4
048811-000	11	PB010285	4
049416-000	3, 3	PB040027	1
049420-000	3	PB040035	8
049426-000	3	PB040040	1
049718-402	8	PB040071	8
050172-000	4	PB040170	8
056034-000	4	PB040171	1
056872-000	9	PB060030	1
056873-000	9	PB060044	1
065467-000	1	PB070302	8
065730-000	1	PC030007	7
066197-041	3	PD010003	9
066203-000	8	PD010012	4
066225-402	1	PD020033	5
066958-000	3	PD020046	9
067033-000	3	PD020048	1, 6, 9
068456-000	8	PD020056	9
068653-601	1	PD020067	1, 4, 9
074892-000	3	PD020068	7



PD020076	3
PD030006	5
PD030010	5
PE010016	5
PE050023	4
PE050024	4
PE050057	6
PE050206	6
PE050208	8
PE060030	5, 5
PE060031	5
PE060039	5
PJ030022	11
PJ030039	2
TC-0066-SP	11