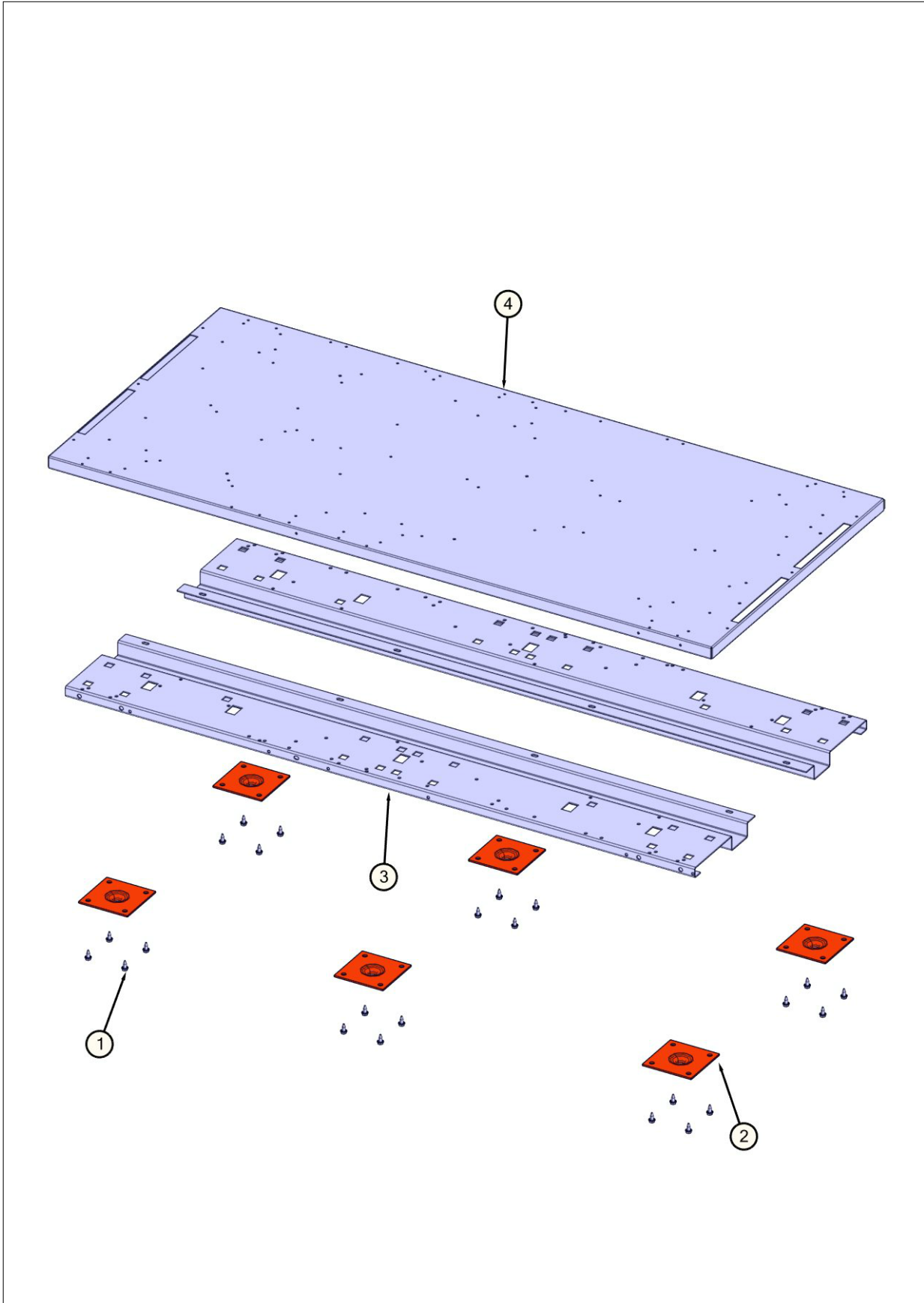


VGR74828BSS01

Bottom Base View	1
Top Base View	2
Surface Cooking View	3
Electrical View	4
Control View	5
LH Cavity View	6
Decor View	7
Gas Asm View	8
RH Cavity View	9
LH Door View	10
RH Door View	11
Wiring View	12
Harness View	13
Appendix A:Pages Index	A
Appendix B:Parts Index	B

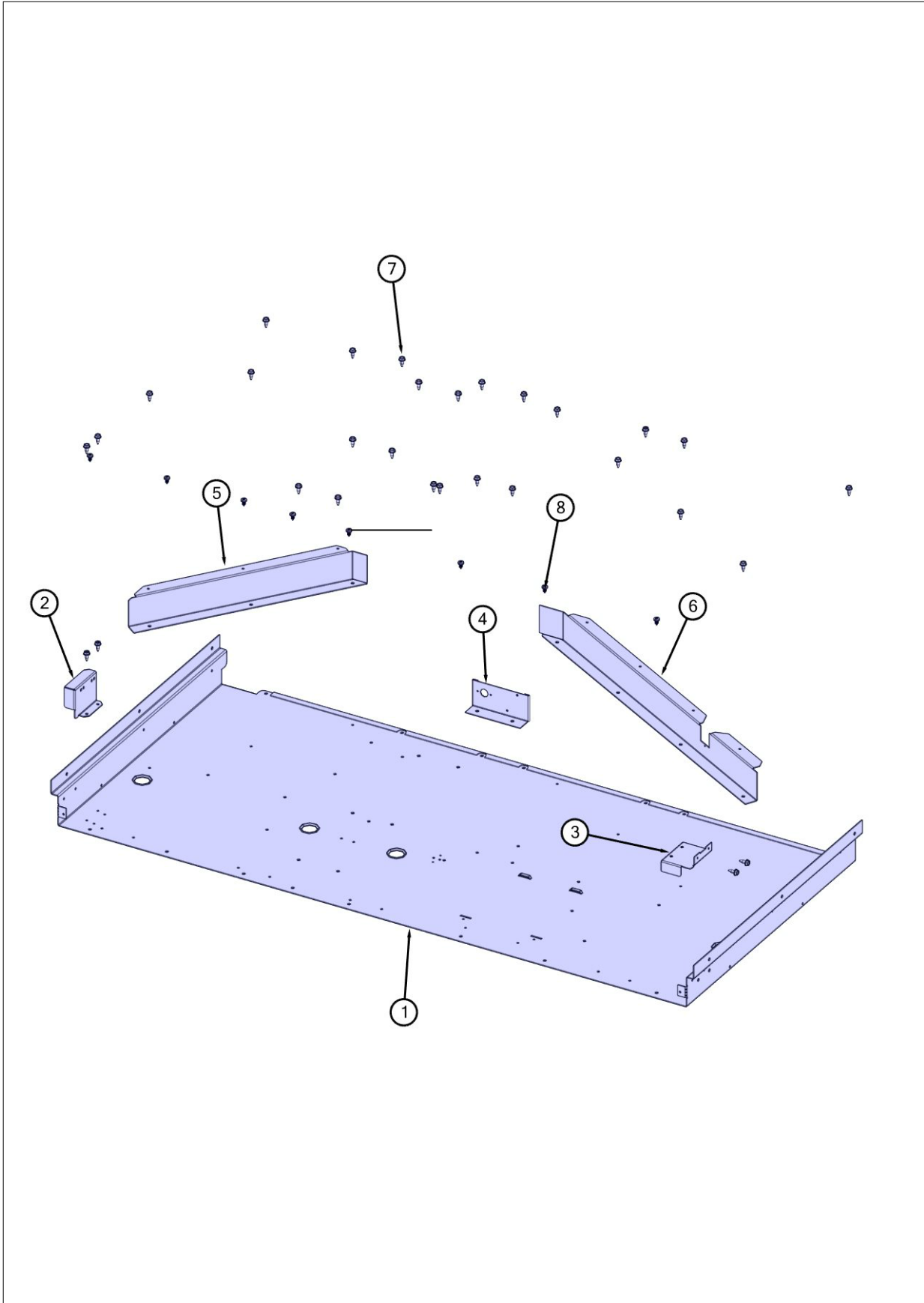
Bottom Base View





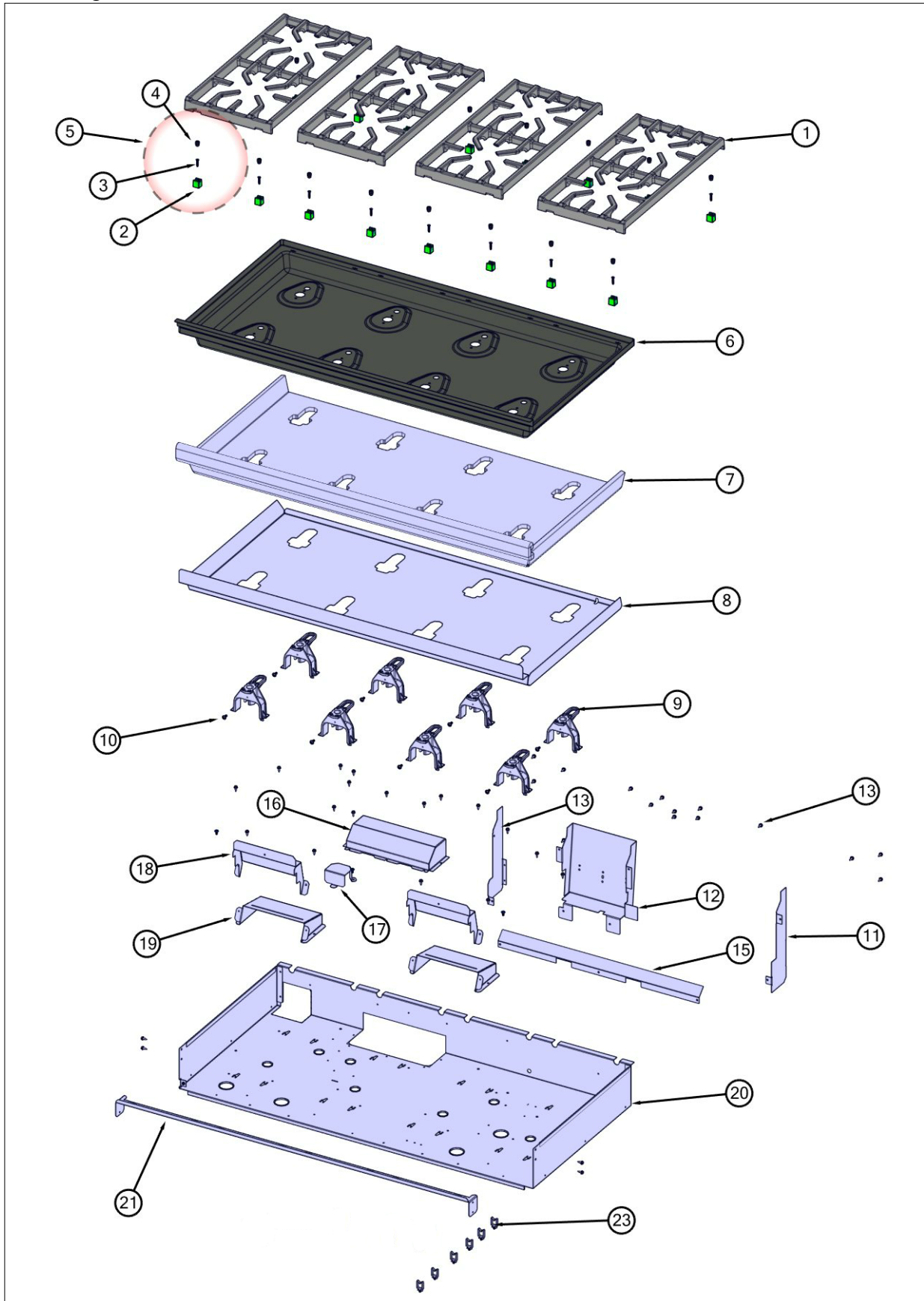
Item	Part No.	Name	Qty	Uom	NOTES
1	003860-000	10-18 x .500 FASTNR,SCR,HXWH,STL,ZPLT		EA	
2	PC030007	PLATE,LEG		EA	
3	047055-000	BRACKET, LEG, OFFSET (NON- SERVICEABLE PART)		EA	
4	043907-000	BASE, BOT, 48" GAS (NON- SERVICEABLE PART)		EA	

Top Base View



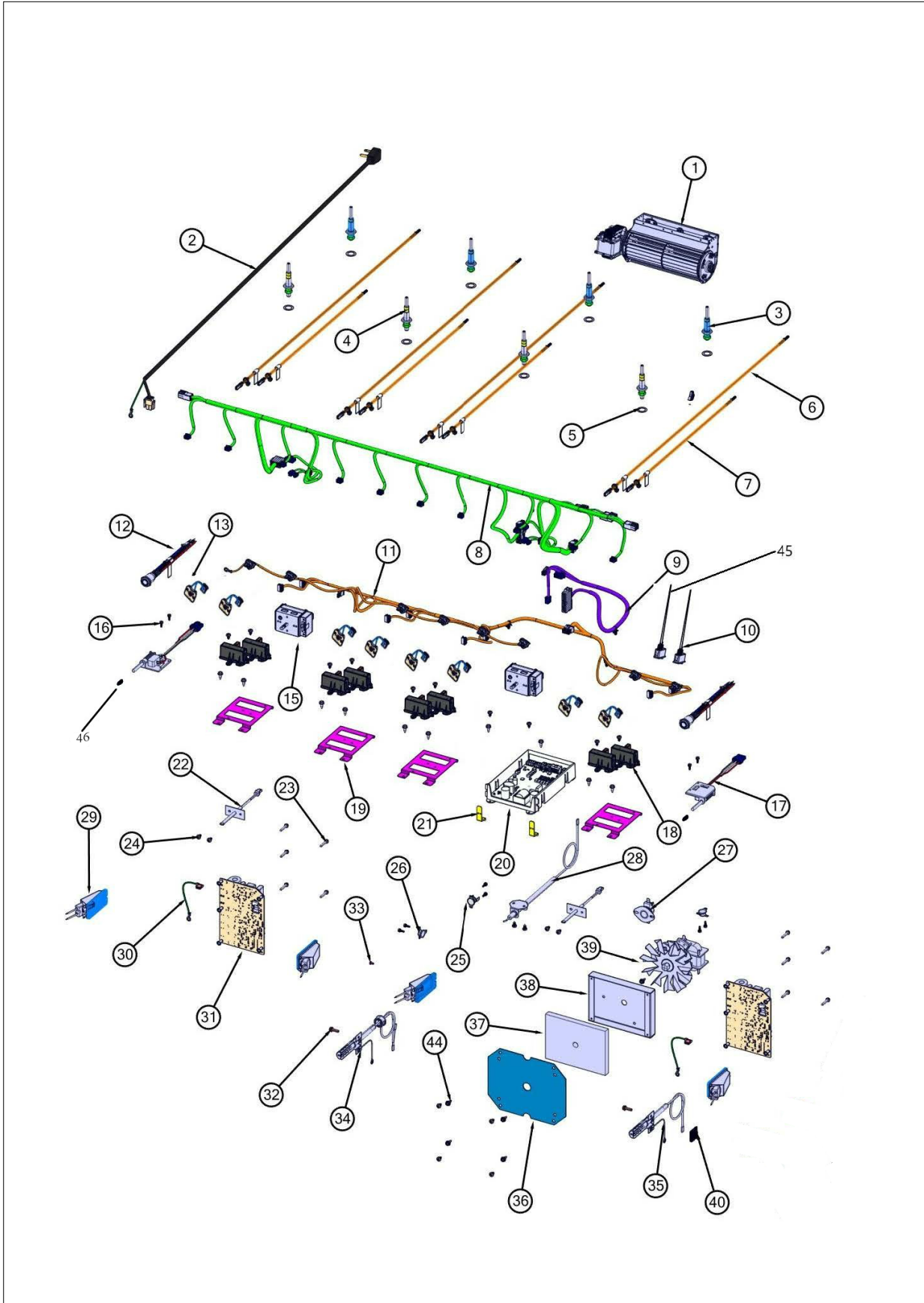
Item	Part No.	Name	Qty	Uom	NOTES
1	064633-000	PANEL, INSL, 48" TOP, VGR7		EA	
2	051663-000	BRACKET, SWITCH, OVEN LIGHT, LH		EA	
3	046065-000	BRACKET, SWITCH, OVEN LIGHT		EA	
4	060591-000	BRACKET, SWITCH, LIMIT, HI		EA	
5	042346-000	DIVERTER, AIR, LH		EA	
6	046489-000	DIVERTER, AIR, RH		EA	
7	003860-000	10-18 x .500 FASTNR,SCR,HXWH,STL,ZPLT		EA	
8	037304-000	FASTENER, PNH, TORX, AB, PSVD, WAX		EA	
9	037304-000	FASTENER, PNH, TORX, AB, PSVD, WAX		EA	

Surface Cooking View



Item	Part No.	Name	Qty	Uom	NOTES
1	042545-000	GRATE, CAST, 12	4	EA	
2	052259-000	SUPPORT, GRATE	16	EA	
3	049534-000	SCREW, 8-32 X 3/4, PHIL, FLAT	16	EA	SUB TO 058156-000
4	052260-000	SILENCER, GRATE	16	EA	
5	058147-000	GRATE SUPPORT ASM	16	EA	
6	048236-402	PAN, BNR, SHIM, ASM, BK	1	EA	
7	049743-000	INSULATION, LINER, BURNER PAN, 48"	1	EA	
8	049695-000	TRAY, PNL, INSULATION, BURNER PAN, 48"	1	EA	
9	066170-000	SUPPORT, HLDR, JET	8	EA	
10	PD020068	' #10 - 32 X 1/2"TRUSS. PHIL. M.*SS*	8	EA	
11	042742-000	DIVERTER, BRKT, LH	1	EA	
12	042785-000	COVER, BLO	1	EA	
13	003860-000	10-18 x .500 FASTNR,SCR,HXWH,STL,ZPLT	27	EA	
14	042741-000	DIVERTER, BRKT, RH	1	EA	
15	031313-000	DIVERTER, AIR 36	1	EA	
16	042350-000	COVER, FAN	1	EA	
17	048188-000	BRACKET, TEE, PIPE	1	EA	
18	049964-000	SHIELD, HEAT, HARNESS, TOP	2	EA	
19	049753-000	SHIELD, HEAT, HARNESS, BTM	2	EA	
20	065686-000	BOX, BNR, 48", VGR74826G	1	EA	
21	049728-000	BRACKET, MTG, 48" CONTROL PANEL	1	EA	
23	045548-000	CLIP, ROUTING, WIRE	18	EA	

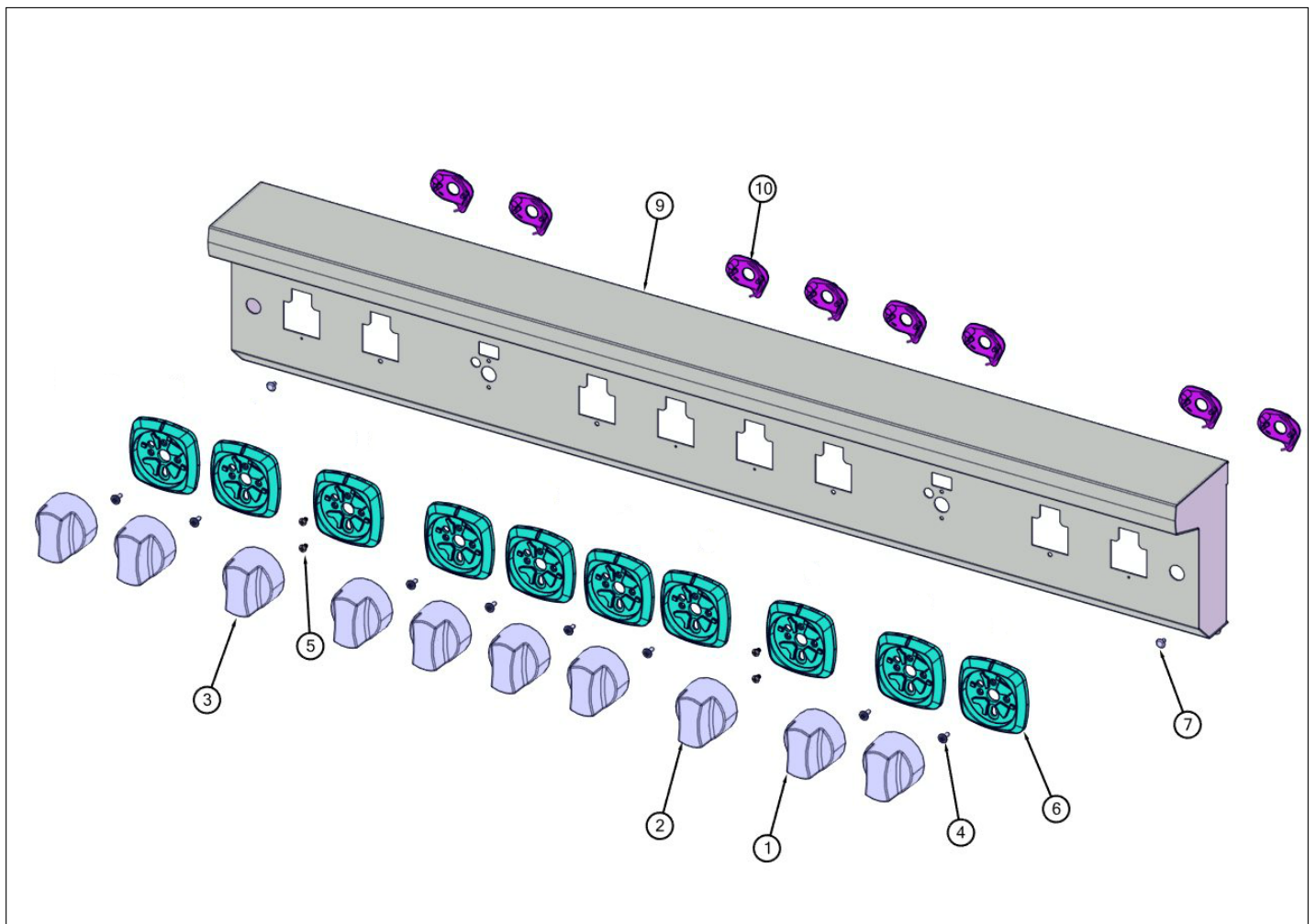
Electrical View



Item	Part No.	Name	Qty	Uom	NOTES
1	080972-000	FAN, COOLING, DUAL, 120V, 60 X 180mm	1	EA	
2	044747-000	CORD, SUPPLY, CORD	1	EA	
3	066808-000	ELECTRODE , ASM, D	4	EA	
4	066809-000	ELECTRODE, ASM E	4	EA	
5	045932-000	WASHER, ELECTRODE	8	EA	
6	028312-000	WIRE, ELECTRODE,IRIS,REAR	4	EA	
7	028324-000	WIRE, ELECTRODE,IRIS,FRONT	4	EA	
8	061076-000	HARN, VGR7488B, CP	1	EA	
9	063263-000	GARN, 7 SERIES, ULC	1	EA	
10	046283-000	SWITCH, SPST, TGL, 2WIRE, CONN, ASSY	1	EA	
11	061251-000	HARN, 488B, EGRID	1	EA	
12	044195-000	SWITCH, PB-LT, 5WIRE, ASSY	2	EA	
13	061211-000	SWITCH, VALVE, SPST, 2 PIN CON	8	EA	
15	065702-579	TSTAT, SMPS, ELEC, 2-POS	2	EA	
16	PD020067	#6 X 3/8" PAN PHIL. TEK *SS*	10	EA	
17	045032-000	SWITCH, DOOR, W-CONNECTOR, ASM	2	EA	
	NOTE	(MUST ORDER ITEM #46 WHEN REPLACING DOOR SWITCH)			
18	062214-000	EGRID, REMOTE MOUNT, 120VAC	8	EA	
19	064543-000	BKT, MNTG, IRIS, VDR7/VGR7	4	EA	
20	062885-501	CNTRL, MODULE, ULC	1	EA	
21	064541-000	BKT, MNTG, FR, ULC, VDR7/VGR7	2	EA	
22	PE050206	RTD THERMOSTAT PROBE	2	EA	
23	M0211021	SCREW-SM	10	EA	
24	037304-000	FASTENER, PNH, TORX, AB, PSVD, WAX	24	EA	
25	048014-000	SWITCH, LIM, HIGH, 90 DEG C	1	EA	
26	PJ030022	BI-METAL THERMOSTAT, 115 DEGREES (FAN SWITCH)	2	EA	
27	030813-000	SWITCH, TSTAT, SPDT	1	EA	

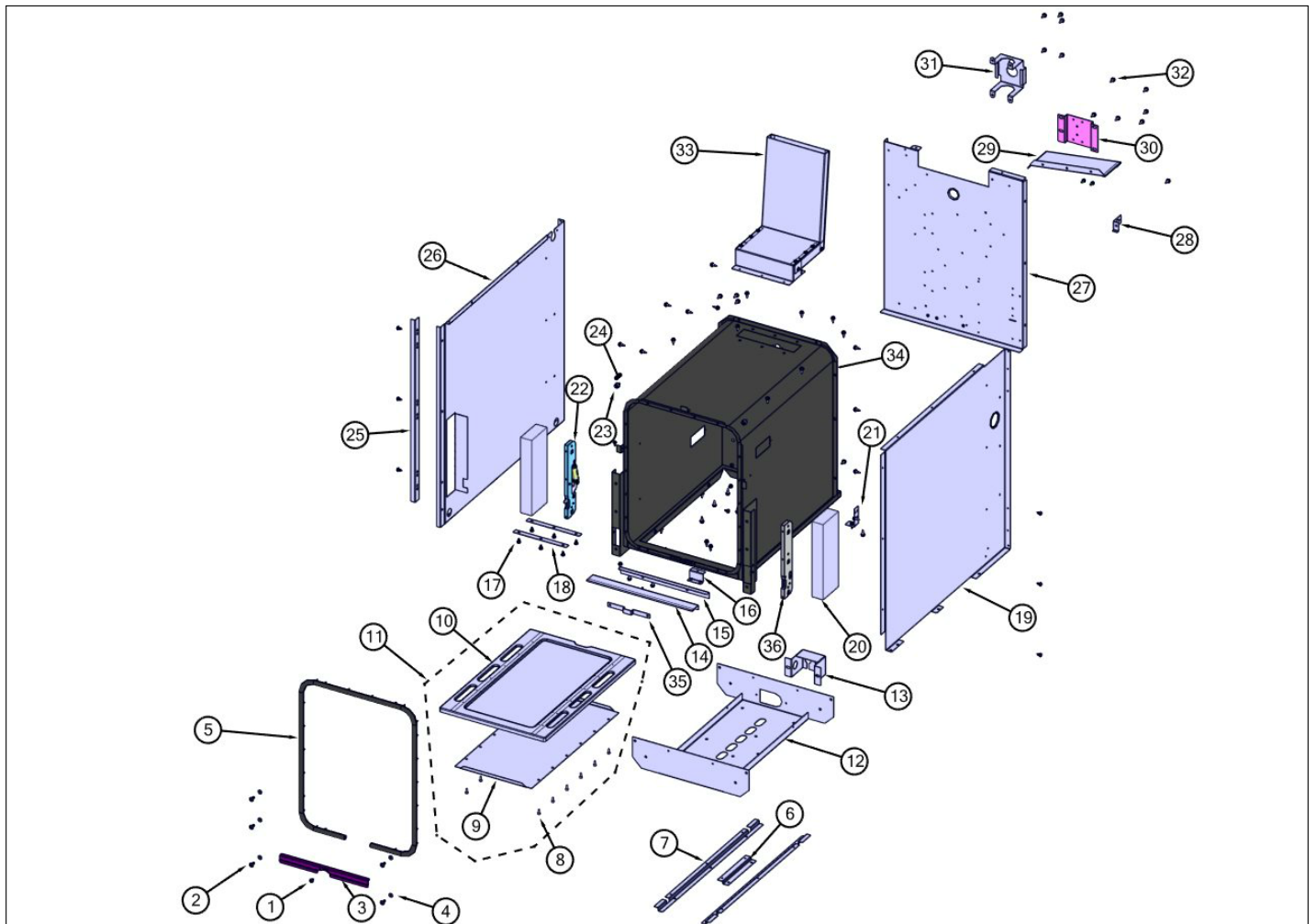
Item	Part No.	Name	Qty	Uom	NOTES
28	043615-000	ASSEMBLY, ELECTRODE	1	EA	
29	074295-601	LIGHT, 120V/25W G9 HALOGEN SIDE	4	EA	
30	043994-000	WIRE, GROUND, 5"	2	EA	
31	043453-000	MODULE, DSI	2	EA	
32	023005-000	SCREW,HEX,WASHER HEAD, #10-32X1/2"	2	EA	
33	PD020006	' #6-32 X 1/4" PH.PAN HD. T(F)	4	EA	
34	043611-000	ASSEMBLY, ELECTRODE W/LEAD, BAKE (18" OVEN)	1	EA	
35	043657-000	ELECTRODE W/LEAD, BAKE, ASSY (30" & 36" OVEN)	1	EA	
36	021199-000	COVER, BOX, INSULATION	1	EA	
37	PB070208	CONVECTION FAN INSULATION	1	EA	
38	031735-000	BOX, INSUL., FAN	1	EA	
39	066367-000	MOTOR, CONV, 120V	1	EA	
40	049878-000	CORD, CLIP, ADHESIVE	10	EA	
44	003860-000	10-18 x .500 FASTNR,SCR,HXWH,STL,ZPLT	4	EA	
45	069485-000	SWITCH, SPNO, MOMENTARY, 2WIRE, CONN, ASSY	1	EA	
46	044044-000	GROMMET, SWITCH, DOOR, RBR	2	EA	

Control View



Item	Part No.	Name	Qty	Uom	NOTES
1	061041-000	KNOB, BURNER, ASSY	8	EA	
2	067118-2544	KNOB, THERMOSTAT, OVEN, A/G, W-Graphics	1	EA	
3	067117-2549	KNOB, THERMOSTAT, LH OVEN, A/G, W/GRAPHICS (BLACK CHROME)	1	EA	
4	PD020046	#8 X 1/2 SCREWS	8	EA	
5	PD020269	#8 PAN HEAD SCREW	4	EA	
6	061090-501	BEZEL, ASSY, LED, SQ , Lg See TC-0126A-SP bulletin	10	EA	
7	PD020032	SRW-8(A)X3/8"PH.WFR HD 7/16DIA*NICL	2	EA	
9	064414-2844	ASM, PANEL, CTRL, VGR74828B, W/GRAPHICS	1	EA	
10	063640-000	ADAPTER, BEZEL, LED	8	EA	

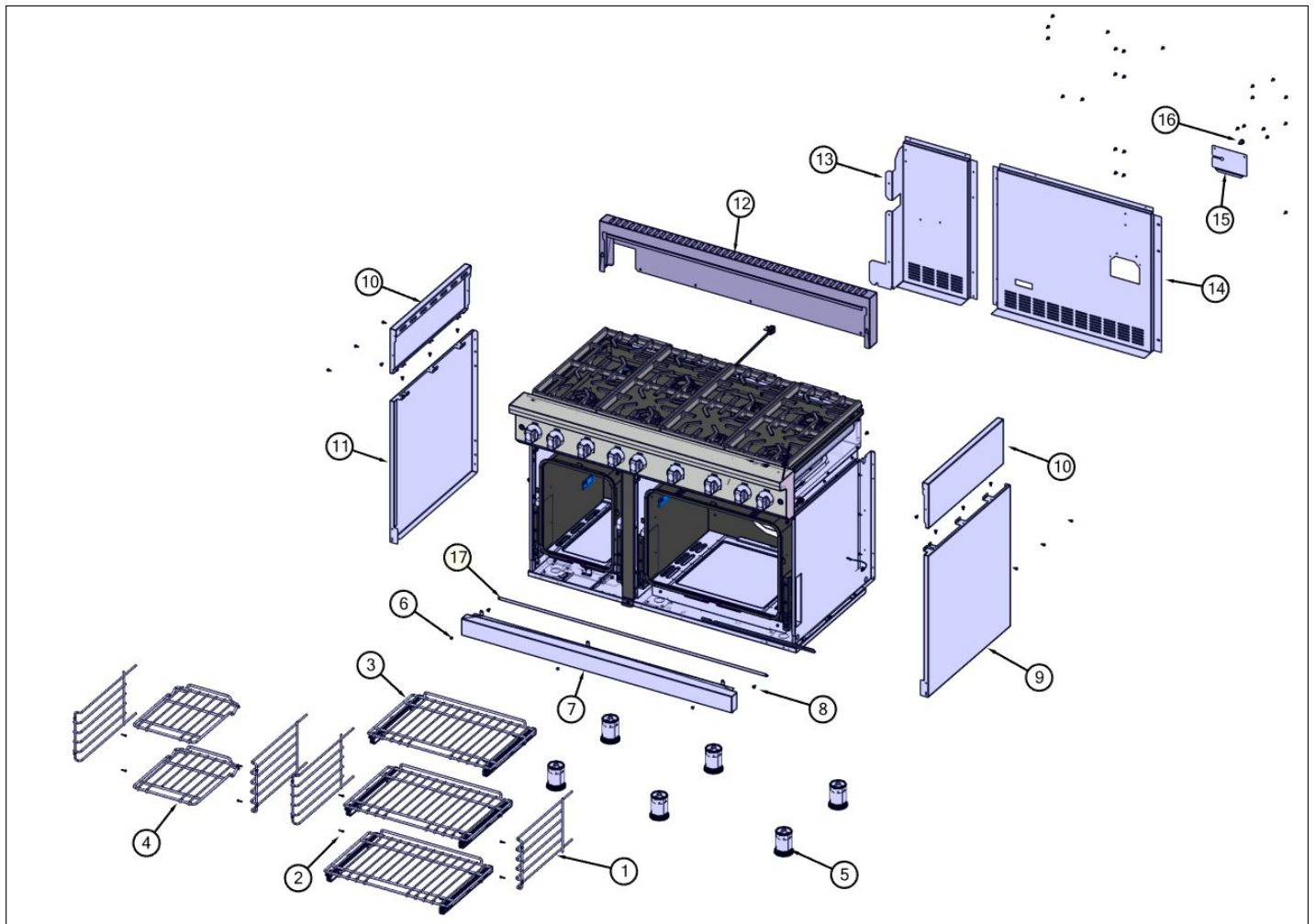
LH Cavity View



Item	Part No.	Name	Qty	Uom	NOTES
1	037304-000	FASTENER, PNH, TORX, AB, PSVD, WAX	12	EA	
2	046651-000	SCREW, TRILOBE, 10-32, TRUSS, PH, BLACK	4	EA	
3	009005-000	GASKET CLIP	2	EA	
4	052632-000	WASHER, FLAT, PTFE, NO.10	6	EA	
5	046128-000	GASKET, LINER, ASM, AG, 18"	1	EA	
6	055025-000	BRACKET, HOLD-DOWN, BOX, FIRE, 18"	1	EA	
7	047065-000	BRACE, BTM, INSUL, RETAINER	2	EA	
8	PD020067	#6 X 3/8" PAN PHIL. TEK *SS*	10	EA	
9	A2005586	OVEN BOTTOM PAN ASSY 48LH	1	EA	
10	G9105587BK	OVEN BOTTOM, ASM BK (ORDER 066212-000)	1	EA	
	NOTE	(ORDER ITEM #11)		EA	
11	066212-000	ASM, BOTTOM, CAVITY, OVEN, GAS, 18"	1	EA	
12	046361-000	BRACE, BOT, LH, CAVITY 18"	1	EA	
13	040736-000	BRKT, ORF	2	EA	
14	031445-402	BRACE, OVEN, BOTTOM, BACK W/BK PORC	1	EA	
15	050266-000	BRACKET, SUPPORT, BOTTOM, OVEN, 18"	1	EA	
16	B2004415	BURNER BRACKET (VGSC306)	1	EA	
17	037304-000	FASTENER, PNH, TORX, AB, PSVD, WAX	12	EA	
18	045034-000	BRACKET, WASHER	2	EA	
19	042868-000	PANEL, INSL, RH, SHORT	1	EA	
20	046677-000	INSULATION, FBGL, RECEIVER, DAMPENING	4	EA	
21	008200-000	FAN BRACKET	1	EA	
22	057805-000	RECEIVER, HINGE, NUOVA STAR, DAMPENED	1	EA	
23	043800-000	BUMPER, RBR, BLK	4	EA	
24	044044-000	GROMMET, SWITCH, DOOR, RBR	2	EA	
25	005536-000	TRIM	2	EA	

Item	Part No.	Name	Qty	Uom	NOTES
26	042343-000	PANEL, INSL, LH	1	EA	
27	042875-000	PANEL, INSL, BACK, 18"	1	EA	
28	012438-000	SWITCH, LIM, BRKT	2	EA	
29	046187-000	SHIELD, WATER, DIVERTER	2	EA	
30	038705-000	REG. MTG. BRKT.	1	EA	
31	046409-000	BRCKT, RETAINER, REGULATOR	1	EA	
32	003860-000	10-18 x .500 FASTNR,SCR,HXWH,STL,ZPLT	40	EA	
33	062991-000	VENT FLUE, ASM	1	EA	
34	045400-402	CAVITY, OVEN, VGR, 18" ASM	1	EA	
35	A2004428	REAR BOTTOM BRCKT (VGSC306)	1	EA	
NI	045736-402	FRAME, FR, WELDMENT, 18" BK	1	EA	
36	045060-000	RECEIVER, HINGE, SLOW- CLOSE, UNDAMPENED	2	EA	

Decor View



Item	Part No.	Name	Qty	Uom	NOTES
1	066225-402	GUIDE, RACK, RH- BK	4	EA	
2	PD020232	#8 X 3/4" PH PAN HEAD TEK SCREW (BLACK OXIDE)	8	EA	
3	065730-000	RACK, GLIDE, 30", W/HDL, ASSY	3	EA	
4	065783-000	RACK, PRO, W/HDL, 18", VGR	2	EA	
5	044178-000	RANGE, LEG, ADJUSTABLE	6	EA	
6	PD020032	SRW-8(A)X3/8"PH.WFR HD 7/16DIA*NICL	3	EA	
7	038605-000	KICKPLATE, RNG	1	EA	
7	038606-002	KICKPLATE, RNG, DCBZ BK	1	EA	
7	038606-005	KICKPLATE, RNG, DCBZ GG	1	EA	
7	038606-006	KICKPLATE, RNG, DCBZ WH	1	EA	
7	038606-008	KICKPLATE, RNG, DCBZ BU	1	EA	
7	038606-013	KICKPLATE, RNG, DCBZ CB	1	EA	
7	038606-024	KICKPLATE, RNG, DCBZ AR	1	EA	
7	038606-2801	KICKPLATE, RNG, DCBZ Kalamata Red (KA)	1	EA	
7	038606-2847	KICKPLATE, RNG, DCBZ Blackforest Green (BG)	1	EA	
7	038606-6180	KICKPLATE, RNG, DCBZ Cypress Green (CY)	1	EA	
7	038606-6258	KICKPLATE, RNG, DCBZ Cast Black (CS)	1	EA	
7	038606-6421	KICKPLATE, RNG, DCBZ Vanilla Cream (VC)	1	EA	
7	038606-6765	KICKPLATE, RNG, DCBZ Bywater Blue (BW)	1	EA	
7	038606-6797	KICKPLATE, RNG, DCBZ Alluvial Blue (AB)	1	EA	
7	038606-6871	KICKPLATE, RNG, DCBZ San Marzano Red (SM)	1	EA	
7	038606-7024	KICKPLATE, RNG, DCBZ Pacific Grey (PG)	1	EA	
7	038606-7070	KICKPLATE, RNG, DCBZ Frost White (FW)	1	EA	
7	038606-7585	KICKPLATE, RNG, DCBZ Reduction Red (RE)	1	EA	
7	038606-7652	KICKPLATE, RNG, DCBZ Artic Grey (AG)	1	EA	

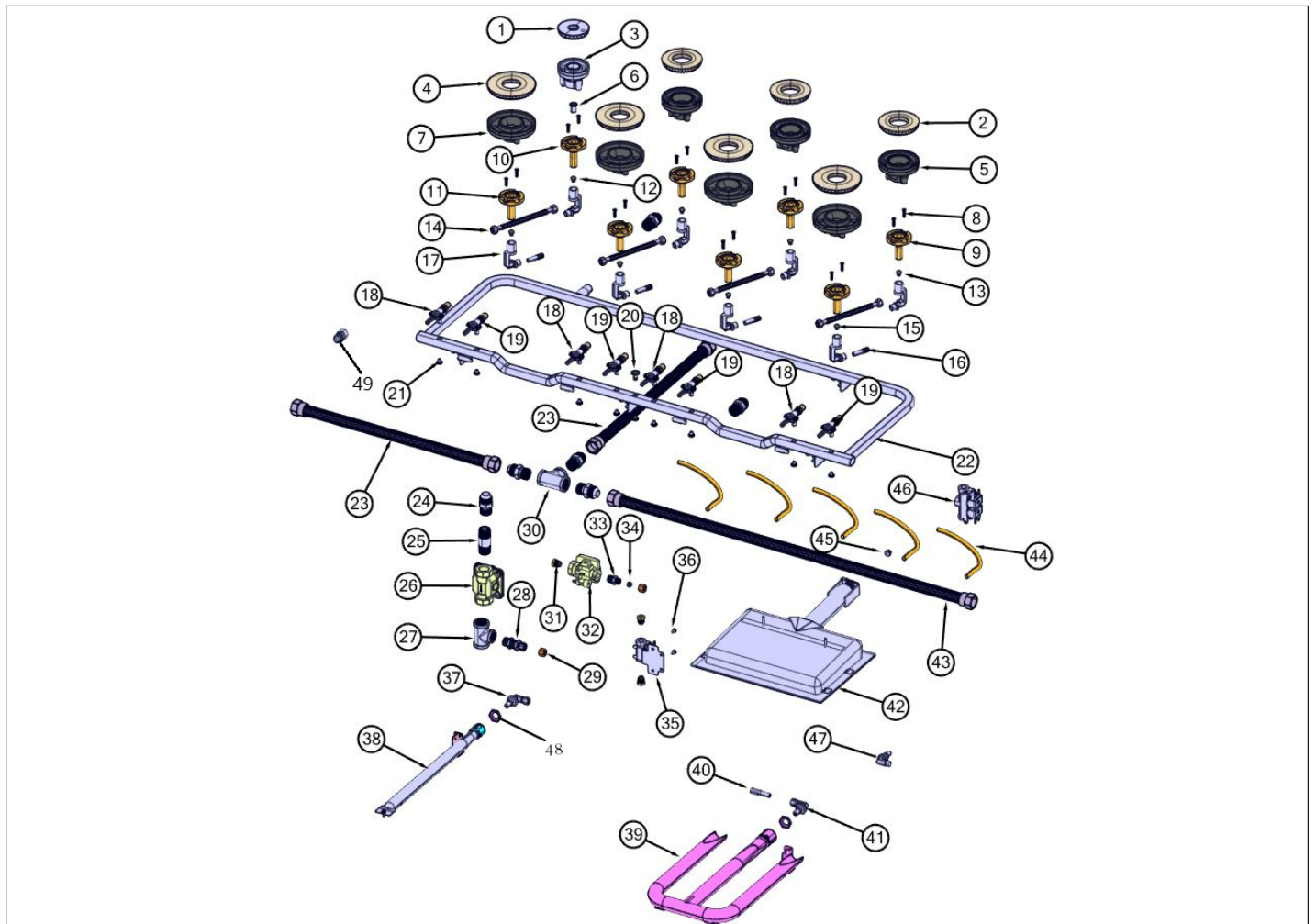
Item	Part No.	Name	Qty	Uom	NOTES
7	038606-7674	KICKPLATE, RNG, DCBZ Damascus Grey (DG)	1	EA	
7	038606-9178	KICKPLATE, RNG, DCBZ Slate Blue (SB)	1	EA	
8	003801-000	SHOULDER SCREW, #10	12	EA	
9	042375-000	COVER, OS, RH	1	EA	
9	049551-002	COVER, OS, RH, DECARB BK	1	EA	
9	049551-005	COVER, OS, RH, DECARB GG	1	EA	
9	049551-006	COVER, OS, RH, DECARB WH	1	EA	
9	049551-008	COVER, OS, RH, DECARB BU	1	EA	
9	049551-013	COVER, OS, RH, DECARB CB	1	EA	
9	049551-024	COVER, OS, RH, DECARB AR	1	EA	
9	049551-2801	OS Right Hand Cover - Kalamata Red (KA)	1	EA	
9	049551-2847	OS Right Hand Cover - Blackforest Green (BF)	1	EA	
9	049551-6180	OS Right Hand Cover - Cypress Green (CY)	1	EA	
9	049551-6258	COVER, OS, RH, DECARB - CAST BLACK	1	EA	
9	049551-6421	OS Right Hand Cover - Vanilla Cream (VC)	1	EA	
9	049551-6765	OS Right Hand Cover - Bywater Blue (BW)	1	EA	
9	049551-6797	OS Right Hand Cover - Alluvial Blue (AB)	1	EA	
9	049551-6871	OS Right Hand Cover - San Marzano Red (SM)	1	EA	
9	049551-7024	OS Right Hand Cover - Pacific Grey (PG)	1	EA	
9	049551-7070	OS Right Hand Cover - Frost White (FW)	1	EA	
9	049551-7585	OS Right Hand Cover - Reduction Red (RE)	1	EA	
9	049551-7652	OS Right Hand Cover -Artic Grey (AG)	1	EA	
9	049551-7674	OS Right Hand Cover - Damascus Grey (DG)	1	EA	
9	049551-9178	OS Right Hand Cover - Slate Blue (SB)	1	EA	

Item	Part No.	Name	Qty	Uom	NOTES
10	052892-000	COVER, OS, RH/LH UPPER	2	EA	
11	042372-000	COVER, OS, LH	1	EA	
11	049552-002	COVER, OS, LH, DECARB BK	1	EA	
11	049552-005	COVER, OS, LH, DECARB GG	1	EA	
11	049552-006	COVER, OS, LH, DECARB WH	1	EA	
11	049552-008	COVER, OS, LH, DECARB BU	1	EA	
11	049552-013	COVER, OS, LH, DECARB CB	1	EA	
11	049552-024	COVER, OS, LH, DECARB AR	1	EA	
11	049552-2801	OS Left Hand Cover - Kalamata Red (KA)	1	EA	
11	049552-2847	OS Left Hand Cover - Blackforest Green (BF)	1	EA	
11	049552-6180	OS Left Hand Cover - Cypress Green (CY)	1	EA	
11	049552-6258	OS Left Hand Cover - Cast Black (CS)	1	EA	
11	049552-6421	OS Left Hand Cover - Vanilla Cream (VC)	1	EA	
11	049552-6765	OS Left Hand Cover - Bywater Blue (BW)	1	EA	
11	049552-6797	OS Left Hand Cover - Alluvial Blue (AB)	1	EA	
11	049552-6871	OS Left Hand Cover - San Marzano Red (SM)	1	EA	
11	049552-7024	OS Left Hand Cover - Pacific Grey (PG)	1	EA	
11	049552-7070	OS Left Hand Cover - Frost White (FW)	1	EA	
11	049552-7585	OS Left Hand Cover - Reduction Red (RE)	1	EA	
11	049552-7652	OS Left Hand Cover -Artic Grey (AG)	1	EA	
11	049552-7674	OS Left Hand Cover - Damascus Grey (DG)	1	EA	
11	049552-9178	OS Left Hand Cover - Slate Blue (SB)	1	EA	
12	042797-000	TRIM, IS, VGR, 48"	1	EA	
13	044140-000	COVER, BACK, 18"	1	EA	
14	042806-000	COVER, BACK, 30"	1	EA	



Item	Part No.	Name	Qty	Uom	NOTES
15	043746-000	PNL, ACCESS, W/HEYCO	1	EA	
16	PE070069	STRAIGHT-THRU BUSHING	1	EA	
17	059103-000	BRACE, PANEL, SIDE, 48"	1	EA	
NI	A2002654	ANTI-TIP DEVICE (VDSC)	1	EA	
NI	034927-000	BRACKET, ANTI-TIP	1	EA	
NI	034928-000	BRACKET, HOOK, ANTI-TIP	1	EA	

Gas Asm View

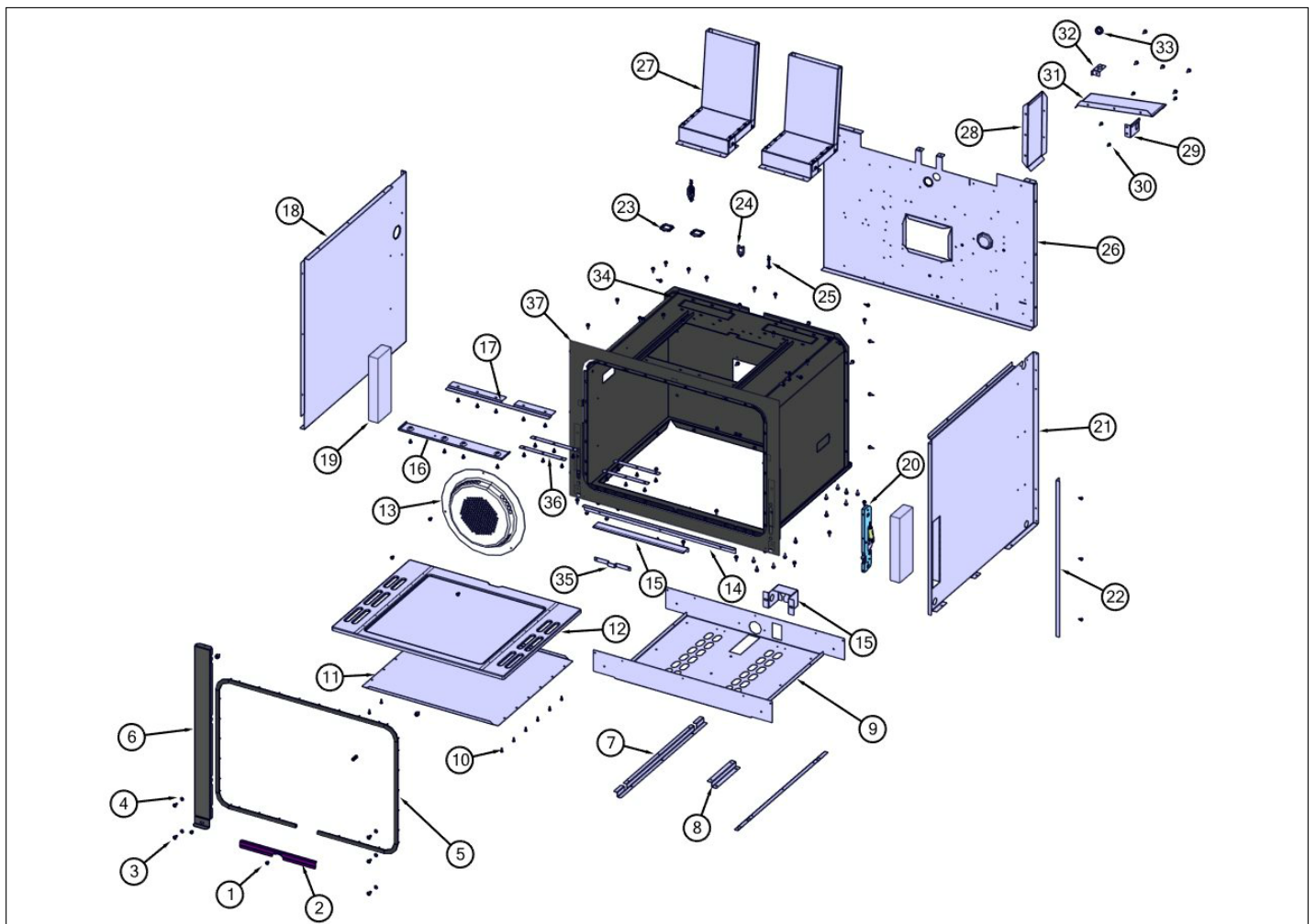


Item	Part No.	Name	Qty	Uom	NOTES
1	066174-000	BURNER, HEAD, C	1	EA	
2	066169-000	D-BURNER HEAD	3	EA	
3	066177-000	BURNER, BASE, C-SIZE	1	EA	
4	066172-000	BURNER, HEAD, E	4	EA	
5	066105-000	BASE, BNR, D	3	EA	
6	051541-000	C VENTURI INSERT	1	EA	
7	066173-000	BASE, BNR, E-SIZE	4	EA	
8	046964-000	SCREW, 10-32 X 3/4", CTSK, BLACK	16	EA	
9	066171-000	VENTURI, D NAT, D LP, FLANGE, BNR	3	EA	
10	067028-000	VENTURI, C NAT, C LP, FLANGE, BNR	1	EA	
11	067030-000	VENTURI, E NAT, FLANGE, BNR	4	EA	
11	067031-000	VENTURI, E LP, FLANGE, BNR	4	EA	
12	066805-000	ORIFICE, BNR, STD, 1.22MM	1	EA	
12	066807-000	ORIFICE, BNR, STD .813MM	1	EA	
13	066803-000	ORIFICE, BNR, STD, 1.70MM	3	EA	
13	066806-000	ORIFICE, BNR, STD 1.07MM	3	EA	
14	074854-000	TUBING, FLEX, FLR/COMP, W/FITTINGS, 20"	4	EA	
15	066802-000	ORIFICE, BNR, STD 2.18MM	4	EA	
15	066804-000	ORIFICE, BNR, STD 1.32MM	4	EA	
16	074851-000	TUBING, FLEX, FLR/COMP, W/FITTINGS, 15"	4	EA	
17	063295-000	HOLDER, ORIFICE, FLARE	8	EA	
18	061224-000	VALVE, GAS, E-BNR, NAT	4	EA	
18	061226-000	VALVE, GAS, E-BNR, LP	4	EA	
19	061225-000	VALVE, GAS, C & D-BNR, NAT	4	EA	
19	061227-000	VALVE. GAS, C & D-BNR, LP	4	EA	
20	002884-000	MANIFOLD PLUG	1	EA	
21	PD010012	VALVE BOLT 1/4-20 UNC-2B 5/16" M.S.	9	EA	
22	056462-000	MANIFOLD, GAS, 48", ASM	1	EA	
23	044310-000	TUBING, 3/4" FLEX, SST, 13"	1	EA	

Item	Part No.	Name	Qty	Uom	NOTES
24	044321-000	FITTING, ADAPTOR, 3/4" FLEX TUBING	6	EA	
25	044637-000	NIPPLE, PIPE, 2-1/2", 3/4" NPTM TO 3/4" NPTM	1	EA	
26	046119-000	PRESSURE REGULATOR, NAT	1	EA	
26	046120-000	REGULATOR, PRESS, LP	1	EA	
27	044638-000	TEE, PIPE, 3/4" NPTF TO 1/2" NPTM	1	EA	
28	044691-000	ADAPTOR, COMPRESSION, 1/2" NPTF TO 3/8" TUBE O.D.	1	EA	
29	PB040213	3/8" COMPRESSION NUT (DGPU)	2	EA	
30	044323-000	TEE, PIPE, 3/4	1	EA	
31	PB040050	3/8CC MALE COMP. FITTING W/FERRULE	6	EA	
32	031818-000	REGULATOR, DUAL OUTLET	1	EA	
32	046121-000	DUAL OUTLET REGULATOR, LP	1	EA	
33	046826-000	ADAPTOR, COMPRESSION, 3/8" NPTM X 3/8" TUBE O.D.	1	EA	
34	PB040192	3/8" CC FERREL (DGPU)	2	EA	
35	009111-000	VALVE, SOL, SINGLE	1	EA	
36	PD020004	10X3/8PH.HD.TYPE 25 REPL PD040125	4	EA	
37	PB040178	90 DEGREE ORIFICE FITTING (VGSC306)	1	EA	
38	044039-000	BURNER, BAKE, ASM, 18" STRAIGHT	1	EA	
38	044041-000	BURNER ASSY, 8" REAR SPARK- LP	1	EA	
39	044096-000	BURNER, BAKE, ASM, 30"	1	EA	
39	044246-000	BURNER, BAKE, ASM, 30"- LP	1	EA	
40	084118-000	15" GAS LINE ASSEMBLY (INCLUDES FITTINGS)	2	EA	
41	048031-000	90 DEG ORIFICE FITTING, #39 DRILL	1	EA	
41	048028-000	90 DEG ORIFICE FITTING #51 DRILL	1	EA	
42	085109-000	IR BROIL BURNER KIT	1	EA	
43	044313-000	TUBING, 3/4" FLEX, SST, 38"	1	EA	

Item	Part No.	Name	Qty	Uom	NOTES
44	PB020116	TUBING - 10 FLEXIBLE 12 & 24	5	EA	
45	PB040026	IR BURNER ORIFICE - #48 NAT.	1	EA	
45	PB040027	IR BUR.SPUD ORF. - #56 LP	1	EA	
46	009112-000	VALVE, SOL, DOUBLE	1	EA	
47	PB040190	90 DEGREE ORIFICE FITTING #50 NAT	1	EA	
47	048026-000	90 DEG ORIFICE FITTING (1.15MM)	1	EA	
48	PD030018	PALNUT - 3/4-16	3	EA	
49	000845-000	1/2" COMPRESSION TO 1/2" NPT ADAPTER	2	EA	

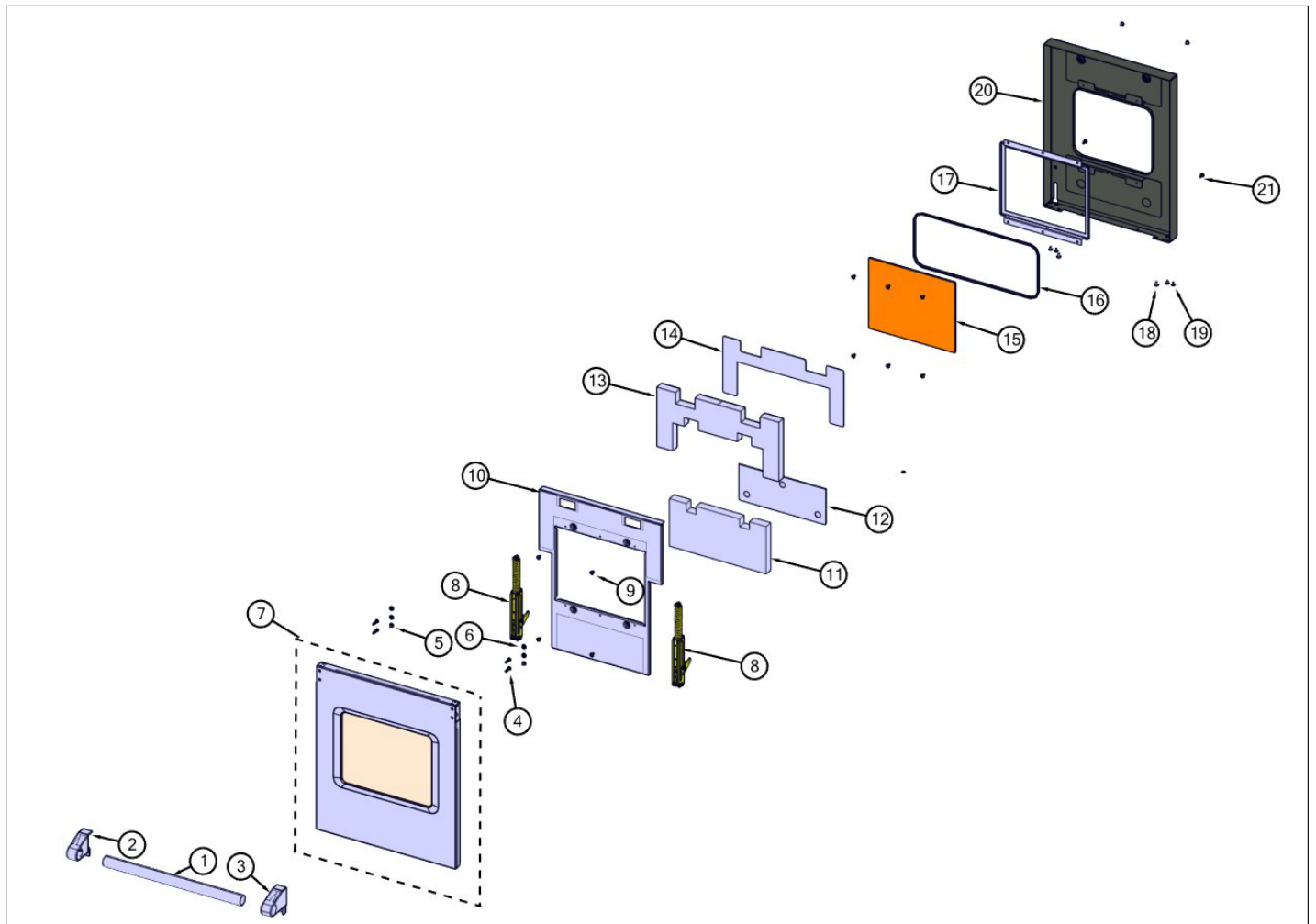
RH Cavity View



Item	Part No.	Name	Qty	Uom	NOTES
1	037304-000	FASTENER, PNH, TORX, AB, PSVD, WAX	4	EA	
2	009005-000	GASKET CLIP	2	EA	
3	046651-000	SCREW, TRILOBE, 10-32, TRUSS, PH, BLACK	2	EA	
4	052632-000	WASHER, FLAT, PTFE, NO.10	10	EA	
5	044793-000	GASKET, LINER, ASM, AG 30"	1	EA	
6	042866-000	TRIM, CTR, VGR7488B	1	EA	
7	A2004429	OVEN BOTTOM INSUL. BRACE (VGSC306)	2	EA	
8	050794-000	BRACKET, HOLD-DOWN, BOX, FIRE	1	EA	
9	044513-000	OVEN, CVTY, BTM, 30"	1	EA	
10	PD020067	#6 X 3/8" PAN PHIL. TEK *SS*	10	EA	
11	A2004439	OVEN BOTTOM SHIELD (VGSC306)	1	EA	
12	066203-000	ASM, BOTTOM, CAVITY, OVEN, GAS, 30"	1	EA	
13	013580-402	CONV COVER W/BK PORC	1	EA	
14	050267-000	BRACKET, SUPPORT, BOTTOM, OVEN, 30"/36"	1	EA	
15	040736-000	BRKT, ORF	2	EA	
16	020409-000	BRACKET, SPRT, FR, I/R BROILER	1	EA	
17	020412-000	BRACKET, SPRT, REAR, I/R BROILER	1	EA	
18	042867-000	PANEL, INSL, LH, SHORT	1	EA	
19	046677-000	INSULATION, FBGL, RECEIVER, DAMPENING	4	EA	
20	054057-000	RECEIVER, HINGE, SLOW-CLOSE, DAMPENED	1	EA	
21	042339-000	PANEL, INSL, RH	1	EA	
22	005536-000	TRIM	2	EA	
23	045550-000	SADDLE, WIRE, EDGE	2	EA	
24	045548-000	CLIP, ROUTING, WIRE	20	EA	
25	045528-000	STANDOFF, LOCKING CLIP	4	EA	
26	049500-000	PANEL, INSL, BACK, 30"	1	EA	
27	062991-000	VENT FLUE, ASM	1	EA	

Item	Part No.	Name	Qty	Uom	NOTES
28	046187-000	SHIELD, WATER, DIVERTER	1	EA	
29	033668-000	BRACKET, DISCONNECT	1	EA	
30	PD020010	10 X 3/8 GREEN GROUNDING SCREW	6	EA	
31	049629-000	SHIELD, DIVERTER, WATER	1	EA	
32	012438-000	SWITCH, LIM, BRKT	2	EA	
33	PD040005	SNAP BUSHING - 7/8"	1	EA	
34	042837-000	30" OVEN CAVITY ASM	1	EA	
35	A2004428	REAR BOTTOM BRCKT (VGSC306)	1	EA	
36	045034-000	BRACKET, WASHER	4	EA	
37	045666-402	FRAME, FR, WELDMENT, 30" BK	1	EA	
NI	014747-000	BRACKET, BNR, SIDE, PORCELAIN	4	EA	
NI	082407-000	INSULATION, FIBERGLASS, 3" THK X 20" WIDE X 36" LONG	1	EA	NON-SERVICEABLE
38	031445-402	BRACE, OVEN, BOTTOM, BACK W/BK PORC	1	EA	
39	045551-000	CLIP, HARNESS, STANDOFF	1	EA	
NI	004285-000	INSULATION, FOIL-BACKED, 4"x5"	1	EA	

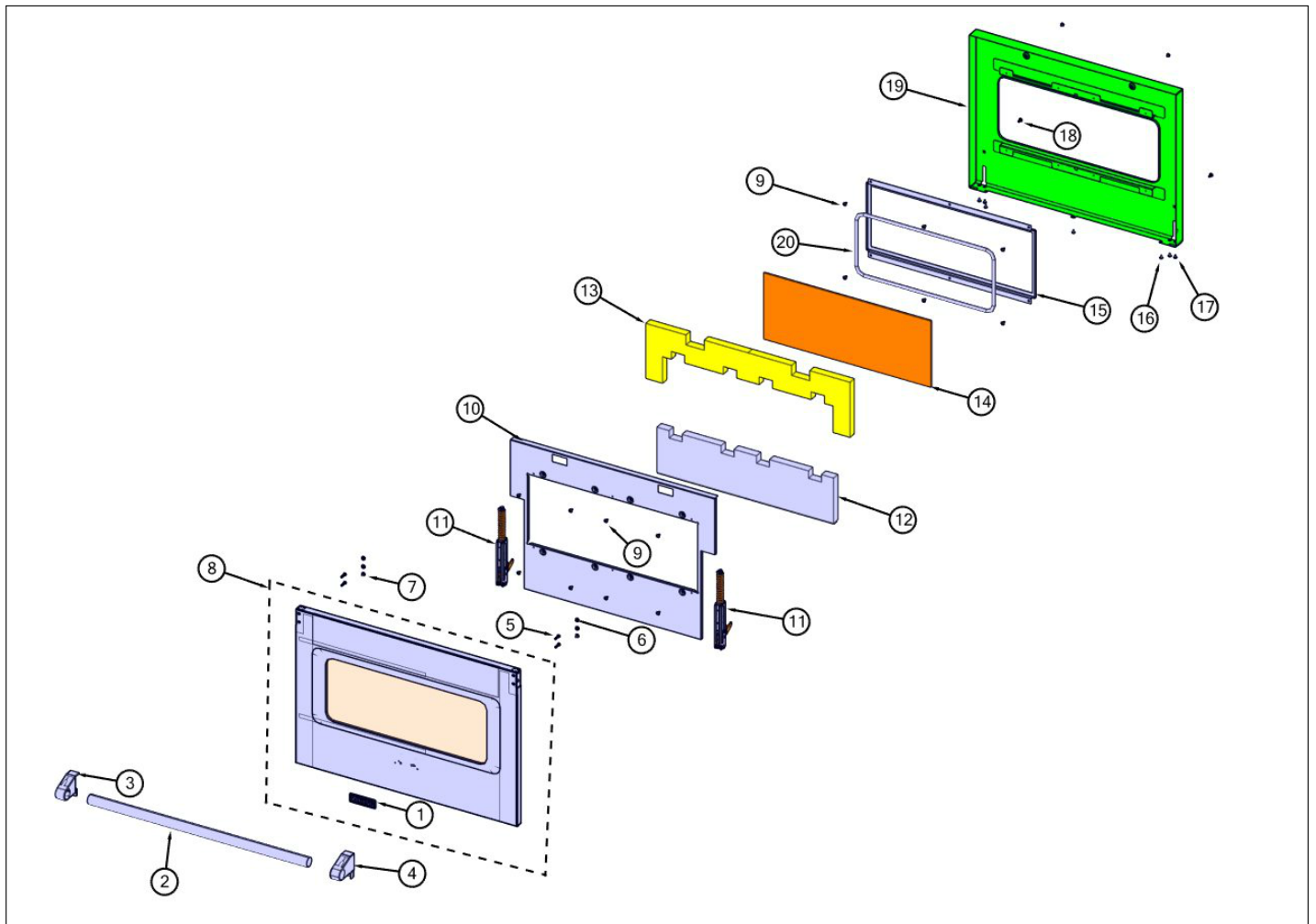
LH Door View



Item	Part No.	Name	Qty	Uom	NOTES
1	006221-000	18" DOOR HANDLE, SST	1	EA	
2	003011-000	DOOR HANDLE ENDCAP ASSY, LH (CHROME)	1	EA	
3	003012-000	DOOR HANDLE ENDCAP ASSY, RH (CHROME)	1	EA	
4	030823-000	#10-32 PAN HEAD PHILLIPS MACHINE SCREW	4	EA	
5	PD020073	SRW #10 X 24 X 3/8 WAFER HD TYPE23	2	EA	
6	004907-000	STEEL FINISHING PLUG, NICKEL PLTD 25/64" HOLE	4	EA	
7	062508-000	DOOR, OS, KIT, 18" ASM	1	EA	
7	062522-002	DOOR, OS, KIT, 18" ASM, PAINTED BK	1	EA	
7	062522-005	DOOR, OS, KIT, 18" ASM, PAINTED GG	1	EA	
7	062522-006	DOOR, OS, KIT, 18" ASM, PAINTED WH	1	EA	
7	062522-008	DOOR, OS, KIT, 18" ASM, PAINTED BU	1	EA	
7	062522-013	DOOR, OS, KIT, 18" ASM, PAINTED CB	1	EA	
7	062522-024	DOOR, OS, KIT, 18" ASM, PAINTED AR	1	EA	
7	062522-2801	DOOR, OS, KIT, 18" ASM, PAINTED Kalamata Red (KA)	1	EA	
7	062522-2847	DOOR, OS, KIT, 18" ASM, PAINTED Blackforest Green (BG)	1	EA	
7	062522-6180	DOOR, OS, KIT, 18" ASM, PAINTED Cypress Green (CY)	1	EA	
7	062522-6258	DOOR, OS, KIT, 18" ASM, PAINTED CAST BLACK (CS)	1	EA	
7	062522-6421	DOOR, OS, KIT, 18" ASM, PAINTED Vanilla Cream (VC)	1	EA	
7	062522-6765	DOOR, OS, KIT, 18" ASM, PAINTED Bywater Blue (BW)	1	EA	
7	062522-6797	DOOR, OS, KIT, 18" ASM, PAINTED Alluvial Blue (AB)	1	EA	
7	062522-6871	DOOR, OS, KIT, 18" ASM, PAINTED San Marzano Red (SM)	1	EA	
7	062522-7024	DOOR, OS, KIT, 18" ASM, PAINTED Pacific Grey (PG)	1	EA	

Item	Part No.	Name	Qty	Uom	NOTES
7	062522-7070	DOOR, OS, KIT, 18" ASM, PAINTED Frost White (FW)	1	EA	
7	062522-7585	DOOR, OS, KIT, 18" ASM, PAINTED Reduction Red (RE)	1	EA	
7	062522-7652	DOOR, OS, KIT, 18" ASM, PAINTED Artic Grey (AG)	1	EA	
7	062522-7674	DOOR, OS, KIT, 18" ASM, PAINTED Damascus Grey (DG)	1	EA	
7	062522-9178	DOOR, OS, KIT, 18" ASM, PAINTED Slate Blue (SB)	1	EA	
8	046002-000	HINGE, NUOVA STAR, YELLOW	2	EA	
9	004526-000	10 x 1/2 PH, NPLT, TAPPING SCREW	4	EA	
10	050757-000	W/A RETAINER, INSULATION, 18"	1	EA	
11	046676-000	INSULATION, DOOR LINER, BOTTOM, 18"	1	EA	
12	050092-000	WEIGHT, RETAINER, INSULATION, BTM	1	EA	
13	046372-000	INSULATION, LINER, DOOR, 18"	1	EA	
14	050093-000	WEIGHT, RETAINER, INSULATION, TOP	1	EA	
15	046136-000	GLASS, DOOR, INNER	1	EA	
16	PB070014	DOOR GLASS SEAL STRIP - WINDOW DRS.	3.5ft	EA	
17	073818-000	BRACKET, GLASS, ID, 18"	1	EA	
18	PD020033	SRW-#10-24X1/2"T(23)PH.WFR HD (NKL)	2	EA	
19	PD020063	SCREW-#8(A) X 3/8"PH WFR HD/BK OXID	4	EA	
20	044070-402	PNL, LINER, WA, 18" BK	1	EA	
21	046651-000	SCREW, TRILOBE, 10-32, TRUSS, PH, BLACK	2	EA	

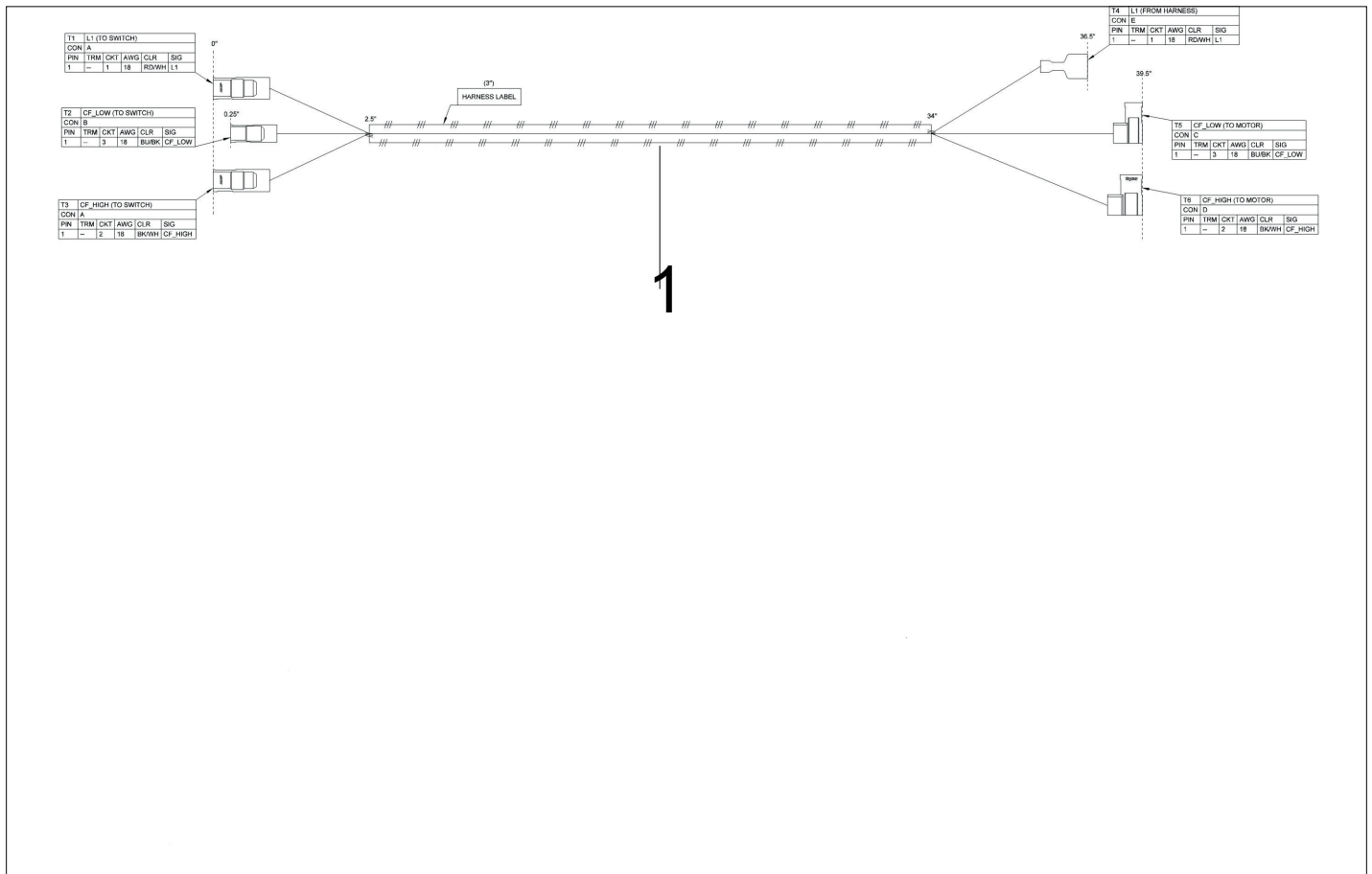
RH Door View



Item	Part No.	Name	Qty	Uom	NOTES
1	062341-000	NAMEPLATE, VIKING, 3.500", W/LOC PINS 5 SERIES	1	EA	
2	002728-000	DOOR HANDLE - SS, 1.25" 29.5	1	EA	
3	003011-000	DOOR HANDLE ENDCAP ASSY, LH (CHROME)	1	EA	
4	003012-000	DOOR HANDLE ENDCAP ASSY, RH (CHROME)	1	EA	
5	030823-000	#10-32 PAN HEAD PHILLIPS MACHINE SCREW	4	EA	
6	004907-000	STEEL FINISHING PLUG, NICKEL PLTD 25/64" HOLE	4	EA	
7	PD020073	SRW #10 X 24 X 3/8 WAFER HD TYPE23	2	EA	
8	068446-000	ASM, DOOR, OS, KIT, 30", SS	1	EA	
8	068451-002	ASM, DOOR, OS, KIT, 30", PAINTED BK	1	EA	
8	068451-005	ASM, DOOR, OS, KIT, 30", PAINTED GG	1	EA	
8	068451-006	ASM, DOOR, OS, KIT, 30", PAINTED WH	1	EA	
8	068451-008	ASM, DOOR, OS, KIT, 30", PAINTED BU	1	EA	
8	068451-013	ASM, DOOR, OS, KIT, 30", PAINTED CB	1	EA	
8	068451-024	ASM, DOOR, OS, KIT, 30", PAINTED AR	1	EA	
8	068451-2801	ASM, DOOR, OS, KIT, 30", PAINTED Kalamata Red (KA)	1	EA	
8	068451-2847	ASM, DOOR, OS, KIT, 30", PAINTED Blackforest Green (BG)	1	EA	
8	068451-6180	ASM, DOOR, OS, KIT, 30", PAINTED Cypress Green (CY)	1	EA	
8	068451-6258	ASM, DOOR, OS, KIT, 30", PAINTED Cast Black (CS)	1	EA	
8	068451-6421	ASM, DOOR, OS, KIT, 30", PAINTED Vanilla Cream (VC)	1	EA	
8	068451-6765	ASM, DOOR, OS, KIT, 30", PAINTED Bywater Blue (BW)	1	EA	
8	068451-6797	ASM, DOOR, OS, KIT, 30", PAINTED Alluvial Blue (AB)	1	EA	
8	068451-6871	ASM, DOOR, OS, KIT, 30", PAINTED San Marzano Red (SM)	1	EA	

Item	Part No.	Name	Qty	Uom	NOTES
8	068451-7024	ASM, DOOR, OS, KIT, 30", PAINTED Pacific Grey (PG)	1	EA	
8	068451-7070	ASM, DOOR, OS, KIT, 30", PAINTED Frost White (FW)	1	EA	
8	068451-7585	ASM, DOOR, OS, KIT, 30", PAINTED Reduction Red (RE)	1	EA	
8	068451-7652	ASM, DOOR, OS, KIT, 30", PAINTED Artic Grey (AG)	1	EA	
8	068451-7674	ASM, DOOR, OS, KIT, 30", PAINTED Damascus Grey (DG)	1	EA	
8	068451-9178	ASM, DOOR, OS, KIT, 30", PAINTED Slate Blue (SB)	1	EA	
9	004526-000	10 x 1/2 PH, NPLT, TAPPING SCREW	14	EA	
10	046032-000	RETAINER, INSL, 30" INSIDE	1	EA	
11	046001-000	HINGE, NUOVA STAR, ORANGE	2	EA	
12	046674-000	INSULATION, DOOR LINER, BOTTOM, 30"	1	EA	
13	046192-000	INSULATION, LINER, DOOR, 30"	1	EA	
14	025099-000	INNER DOOR GLASS, 30"	1	EA	
15	L20014077	30" WINDOW HOLDER	1	EA	
16	PD020032	SRW-8(A)X3/8"PH.WFR HD 7/16DIA*NICL	3	EA	
17	PD020063	SCREW-#8(A) X 3/8"PH WFR HD/BK OXID	4	EA	
18	046651-000	SCREW, TRILOBE, 10-32, TRUSS, PH, BLACK	2	EA	
19	044058-402	PNL, LINER, WA, 30"BK	1	EA	
20	073818-000	BRACKET, GLASS, ID, 18"	4.88ft	EA	

Wiring View

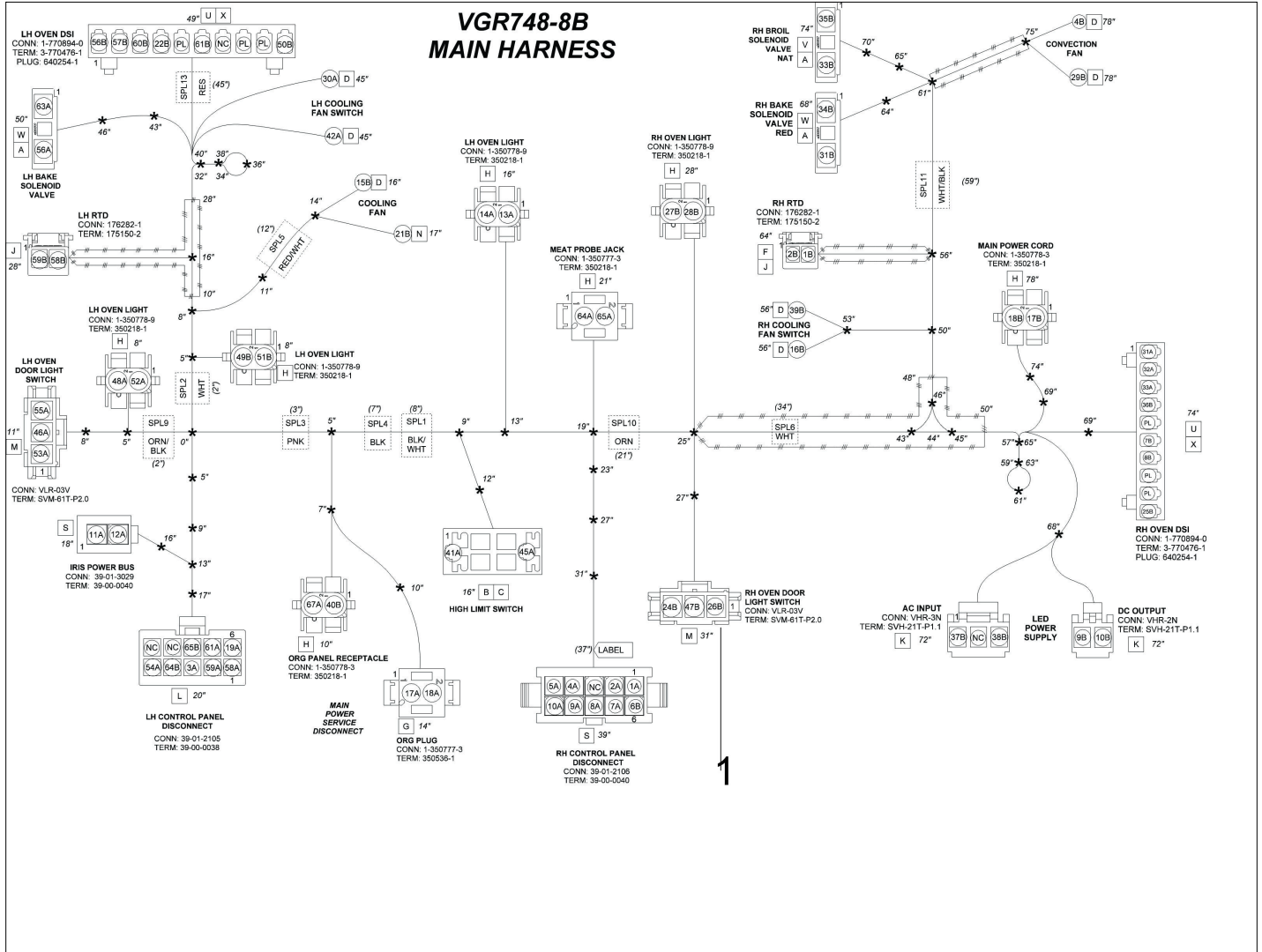




VGR74828BSS01

Item	Part No.	Name	Qty	Uom	NOTES
1	059157-000	HARN, VGR7, COOLING FAN, SERVICE	1	EA	

Harness View





VGR74828BSS01

Item	Part No.	Name	Qty	Uom	NOTES
1	074481-000	HARNESS, VGR7488B, MAIN	1	EA	



Appendix A:Pages Index

Bottom Base View 1
Control View 5
Decor View 7
Electrical View 4
Gas Asm View 8
Harness View 13
LH Cavity View 6
LH Door View 10
RH Cavity View 9
RH Door View 11
Surface Cooking View 3
Top Base View 2
Wiring View 12



Appendix B:Parts Index

000845-000	8	038606-008	7
002728-000	11	038606-013	7
002884-000	8	038606-024	7
003011-000	10, 11	038606-2801	7
003012-000	10, 11	038606-2847	7
003801-000	7	038606-6180	7
003860-000	1, 2, 3, 4, 6	038606-6258	7
004285-000	9	038606-6421	7
004526-000	10, 11	038606-6765	7
004907-000	10, 11	038606-6797	7
005536-000	6, 9	038606-6871	7
006221-000	10	038606-7024	7
008200-000	6	038606-7070	7
009005-000	6, 9	038606-7585	7
009111-000	8	038606-7652	7
009112-000	8	038606-7674	7
012438-000	6, 9	038606-9178	7
013580-402	9	038705-000	6
014747-000	9	040736-000	6, 9
020409-000	9	042339-000	9
020412-000	9	042343-000	6
021199-000	4	042346-000	2
023005-000	4	042350-000	3
025099-000	11	042372-000	7
028312-000	4	042375-000	7
028324-000	4	042545-000	3
030813-000	4	042741-000	3
030823-000	10, 11	042742-000	3
031313-000	3	042785-000	3
031445-402	6, 9	042797-000	7
031735-000	4	042806-000	7
031818-000	8	042837-000	9
033668-000	9	042866-000	9
034927-000	7	042867-000	9
034928-000	7	042868-000	6
037304-000	2, 2, 4, 6, 6, 9	042875-000	6
038605-000	7	043453-000	4
038606-002	7	043611-000	4
038606-005	7	043615-000	4
038606-006	7	043657-000	4
		043746-000	7

043800-000	6	046128-000	6
043907-000	1	046136-000	10
043994-000	4	046187-000	6, 9
044039-000	8	046192-000	11
044041-000	8	046283-000	4
044044-000	4, 6	046361-000	6
044058-402	11	046372-000	10
044070-402	10	046409-000	6
044096-000	8	046489-000	2
044140-000	7	046651-000	6, 9, 10, 11
044178-000	7	046674-000	11
044195-000	4	046676-000	10
044246-000	8	046677-000	6, 9
044310-000	8	046826-000	8
044313-000	8	046964-000	8
044321-000	8	047055-000	1
044323-000	8	047065-000	6
044513-000	9	048014-000	4
044637-000	8	048026-000	8
044638-000	8	048028-000	8
044691-000	8	048031-000	8
044747-000	4	048188-000	3
044793-000	9	048236-402	3
045032-000	4	049500-000	9
045034-000	6, 9	049534-000	3
045060-000	6	049551-002	7
045400-402	6	049551-005	7
045528-000	9	049551-006	7
045548-000	3, 9	049551-008	7
045550-000	9	049551-013	7
045551-000	9	049551-024	7
045666-402	9	049551-2801	7
045736-402	6	049551-2847	7
045932-000	4	049551-6180	7
046001-000	11	049551-6258	7
046002-000	10	049551-6421	7
046032-000	11	049551-6765	7
046065-000	2	049551-6797	7
046119-000	8	049551-6871	7
046120-000	8	049551-7024	7
046121-000	8	049551-7070	7



049551-7585	7	052632-000	6, 9
049551-7652	7	052892-000	7
049551-7674	7	054057-000	9
049551-9178	7	055025-000	6
049552-002	7	056462-000	8
049552-005	7	057805-000	6
049552-006	7	058147-000	3
049552-008	7	059103-000	7
049552-013	7	059157-000	12
049552-024	7	060591-000	2
049552-2801	7	061041-000	5
049552-2847	7	061076-000	4
049552-6180	7	061090-501	5
049552-6258	7	061211-000	4
049552-6421	7	061224-000	8
049552-6765	7	061225-000	8
049552-6797	7	061226-000	8
049552-6871	7	061227-000	8
049552-7024	7	061251-000	4
049552-7070	7	062214-000	4
049552-7585	7	062341-000	11
049552-7652	7	062508-000	10
049552-7674	7	062522-002	10
049552-9178	7	062522-005	10
049629-000	9	062522-006	10
049695-000	3	062522-008	10
049728-000	3	062522-013	10
049743-000	3	062522-024	10
049753-000	3	062522-2801	10
049878-000	4	062522-2847	10
049964-000	3	062522-6180	10
050092-000	10	062522-6258	10
050093-000	10	062522-6421	10
050266-000	6	062522-6765	10
050267-000	9	062522-6797	10
050757-000	10	062522-6871	10
050794-000	9	062522-7024	10
051541-000	8	062522-7070	10
051663-000	2	062522-7585	10
052259-000	3	062522-7652	10
052260-000	3	062522-7674	10



062522-9178	10	068451-005	11
062885-501	4	068451-006	11
062991-000	6, 9	068451-008	11
063263-000	4	068451-013	11
063295-000	8	068451-024	11
063640-000	5	068451-2801	11
064414-2844	5	068451-2847	11
064541-000	4	068451-6180	11
064543-000	4	068451-6258	11
064633-000	2	068451-6421	11
065686-000	3	068451-6765	11
065702-579	4	068451-6797	11
065730-000	7	068451-6871	11
065783-000	7	068451-7024	11
066105-000	8	068451-7070	11
066169-000	8	068451-7585	11
066170-000	3	068451-7652	11
066171-000	8	068451-7674	11
066172-000	8	068451-9178	11
066173-000	8	069485-000	4
066174-000	8	073818-000	10, 11
066177-000	8	074295-601	4
066203-000	9	074481-000	13
066212-000	6	074851-000	8
066225-402	7	074854-000	8
066367-000	4	080972-000	4
066802-000	8	082407-000	9
066803-000	8	084118-000	8
066804-000	8	085109-000	8
066805-000	8	A2002654	7
066806-000	8	A2004428	6, 9
066807-000	8	A2004429	9
066808-000	4	A2004439	9
066809-000	4	A2005586	6
067028-000	8	B2004415	6
067030-000	8	G9105587BK	6
067031-000	8	L20014077	11
067117-2549	5	M0211021	4
067118-2544	5	PB020116	8
068446-000	11	PB040026	8
068451-002	11	PB040027	8



PB040050 8
PB040178 8
PB040190 8
PB040192 8
PB040213 8
PB070014 10
PB070208 4
PC030007 1
PD010012 8
PD020004 8
PD020006 4
PD020010 9
PD020032 5, 7, 11
PD020033 10
PD020046 5
PD020063 10, 11
PD020067 4, 6, 9
PD020068 3
PD020073 10, 11
PD020232 7
PD020269 5
PD030018 8
PD040005 9
PE050206 4
PE070069 7
PJ030022 4