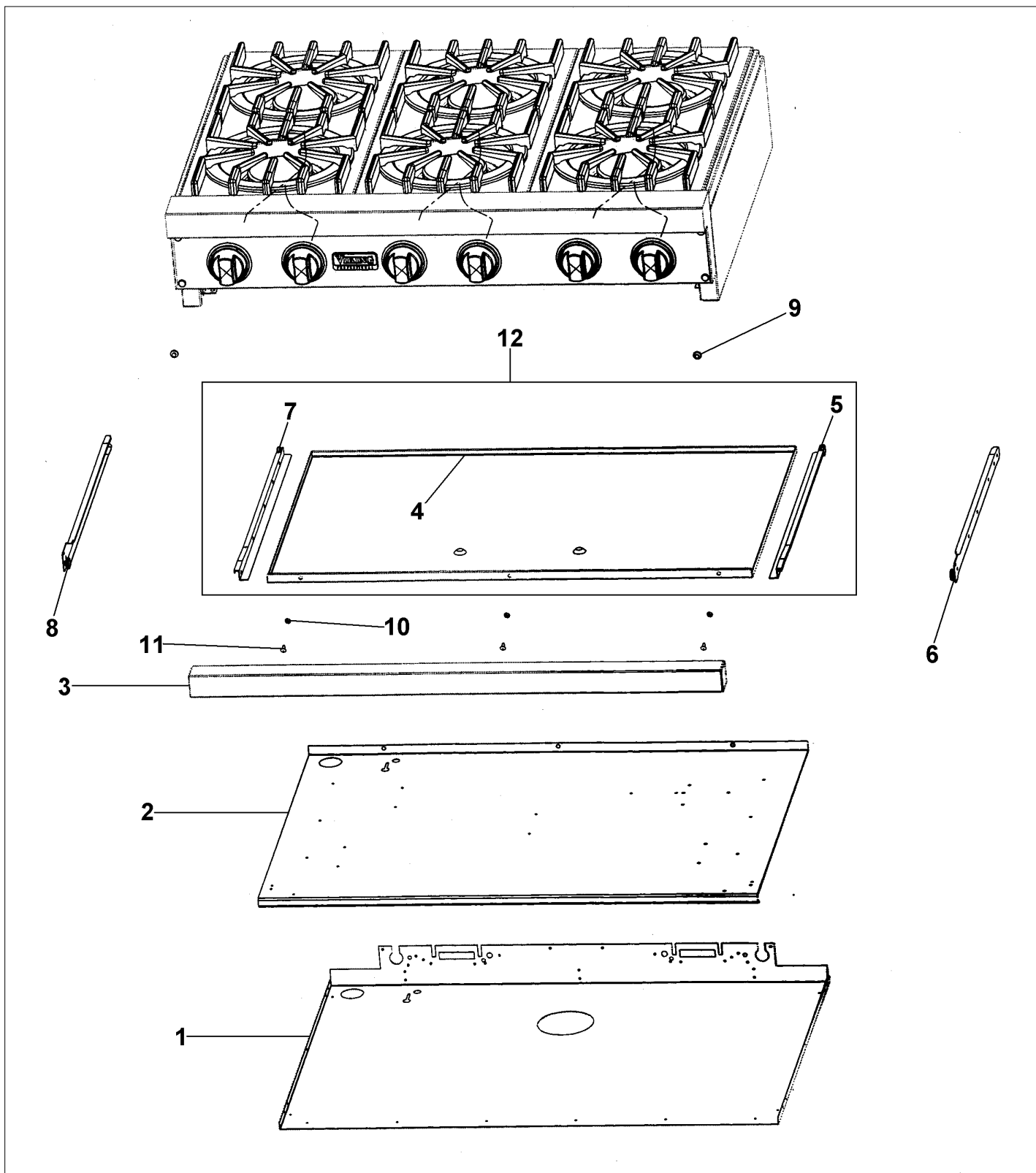


VGRT360-6B

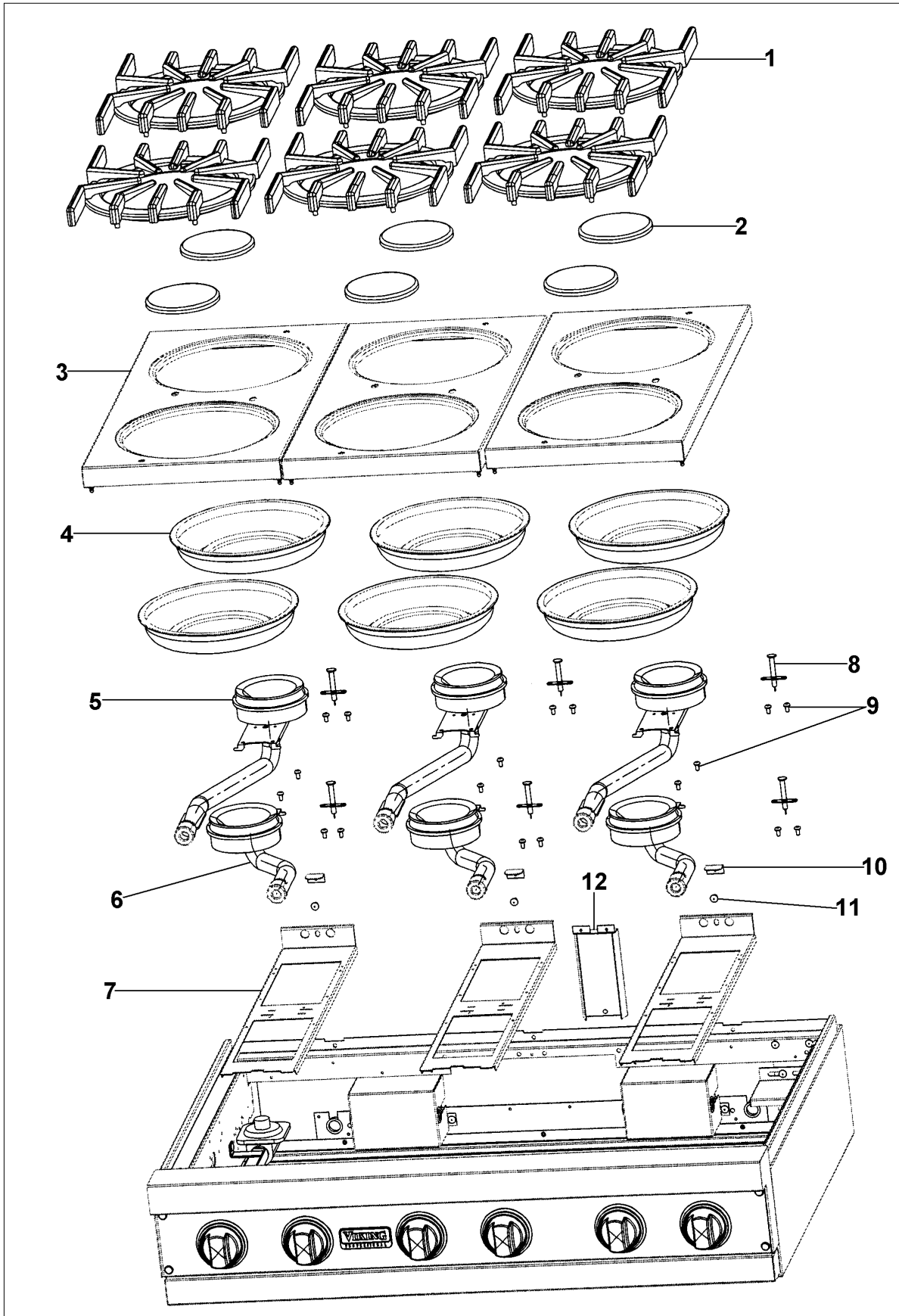
BOTTOM ASSY	1
BURNER GRATE ASSY	2
CONTROL ASSY	3
EXTERIOR AND REAR UNIT ASSY	4
WIRING	5
WIRING - CONTINUED	6
Appendix A:Pages Index	A
Appendix B:Parts Index	B

BOTTOM ASSY



Item	Part No.	Name	Qty	Uom	NOTES
1	A2001101	BURNER BOX BTM VGRT36	1	EA	
2	A2001109	BTM INSULATION PANEL (36")	1	EA	
3	B3001150	DRIP TRAY HANDLE - SS	1	EA	
	C9301150PVD	D/T HNDLE 36'REPL C9301150BR	1	EA	Not available online / Call for pricing and availability
4	A30012197	36" DRIP TRAY	1	EA	
5	PK000010	RUNNER, DRIP TRAY - RH (VGRT)	1	EA	
6	PK000008	Drip Tray Guide - RH	1	EA	NO LONGER AVAILABLE
7	PK000009	Drip Tray Guide - LH	1	EA	
8	PK000007	DRIP TRAY GUIDE - LH (VGRT)	1	EA	NO LONGER AVAILABLE
9	PD040004	GROMMET BUMPER	1	EA	
10	PD030044	10-24 KEPS NUT SS	1	EA	
11	PD010041	10-24 X 1/2 PH.TR.HD.M.S. NYLOK	1	EA	
12	G30010455	36" DRIP TAY ASSY, NLA	1	EA	

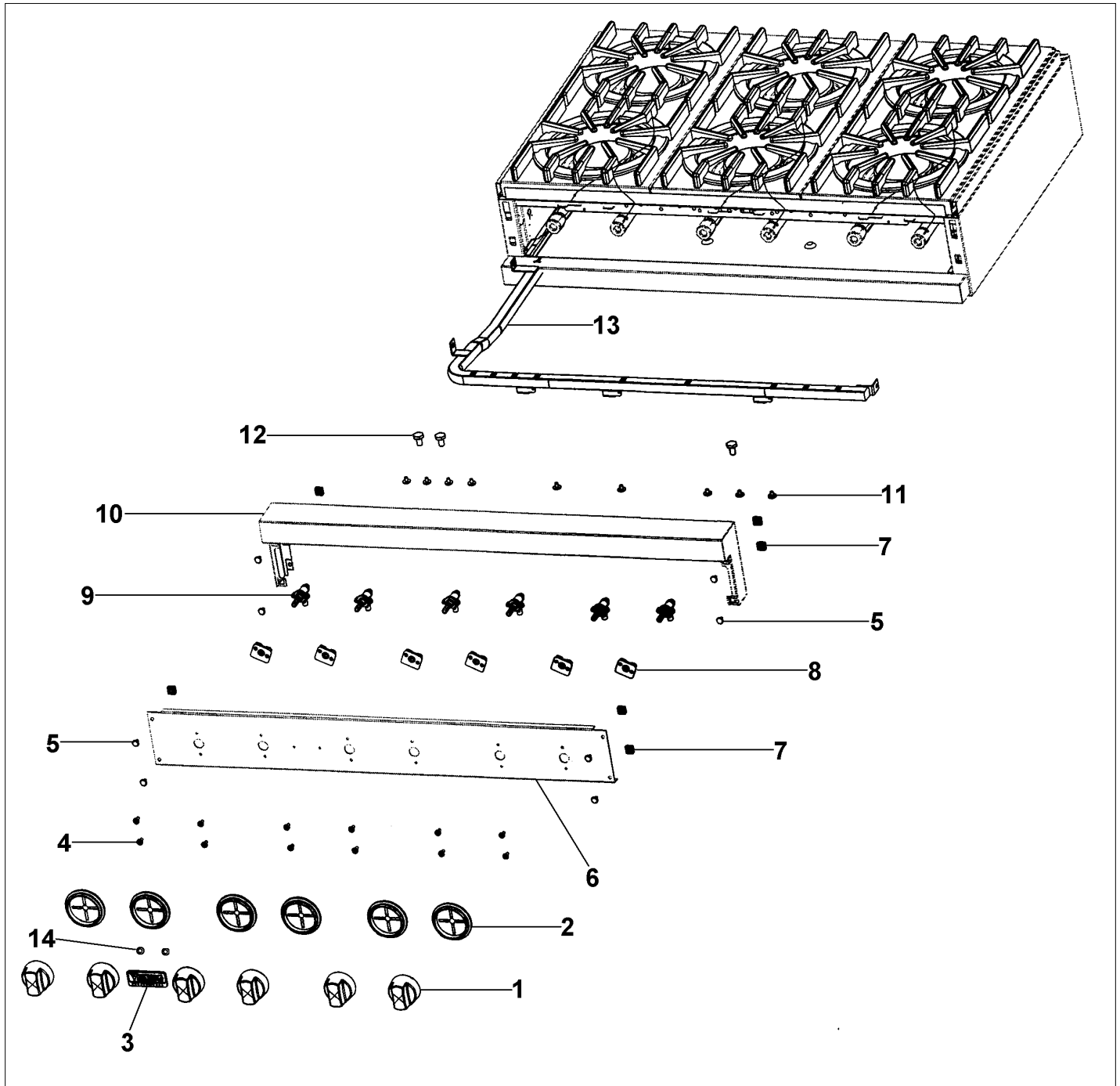
BURNER GRATE ASSY



Item	Part No.	Name	Qty	Uom	NOTES
1	PA060037	GRATE BK REPL PA060024 (GEN.#2)	1	EA	
	PA060038	GRAY GRATES	1	EA	
2	066982-000	CAP, BURNER, OPEN, BLK	1	EA	
	PA080016	BURNER CAP-VGRT (GRAY-MATT)	1	EA	
3	G50013584AL	GRATE SUPPORT - AL	1	EA	
	G50013584BK	GRATE SUPPORT SERVICE KIT (BK)	1	EA	
	G50013584BT	GRATE SUPPORT SERVICE KIT (BT) - NLA	1	EA	NO LONGER AVAILABLE
	G50013584CB	GRATE SUPPORT ASSEMBLY - CB	1	EA	Not available online / Call for pricing and availability
	G50013584EP	GRATE SUPPORT ASSEMBLY - EP	1	EA	Not available online / Call for pricing and availability
	G50013584FG	GRATE SUPPORT - FG	1	EA	Not available online / Call for pricing and availability
	G50013584GG	GRATE SUPPORT ASSEMBLY - GG	1	EA	
	G50013584LE	GRATE SUPPORT ASSEMBLY - LE	1	EA	Not available online / Call for pricing and availability
	G50013584MJ	GRATE SUPPORT ASSEMBLY - MJ	1	EA	Not available online / Call for pricing and availability
	G50013584SG	GRATE SUPPORT ASSEMBLY - SG	1	EA	Not available online / Call for pricing and availability
	G50013584VB	GRATE SUPPORT - VB	1	EA	
	G50013584WH	GRATE SUPPORT SERVICE KIT (WH)	1	EA	
4	PA030002AL	BURNER BOWL - AL (FOR USE WITH UPGRADE KIT) NLA	1	EA	
	PA030002BK	BURNER BOWL (VGRT) **BK**	1	EA	
	PA030002BT	BURNER BOWL - BT NLA	1	EA	
	PA030002CB	BURNER BOWL - CB NLA	1	EA	

Item	Part No.	Name	Qty	Uom	NOTES
	PA030002EP	BURNER BOWL - EP NLA	1	EA	
	PA030002FG	BURNER BOWL - FG (FOR USE WITH UPGRADE KIT) NLA	1	EA	
	PA030002GG	BURNER BOWL - GG NLA	1	EA	
	PA030002LE	BURNER BOWL - LE NLA	1	EA	
	PA030002MJ	BURNER BOWL (VGRT) **MJ** NLA	1	EA	
	PA030002SG	BURNER BOWL - SG NLA	1	EA	
	PA030002VB	BURNER BOWL (VGRT) **VB** NLA	1	EA	
	PA030002WH	BURNER BOWL (VGRT) **WH**	1	EA	NO LONGER AVAILABLE
5	PA080036	TOP BURNER REAR REPL PA080008	1	EA	
6	PA080037	TOP BURNER FRONT REPL PA080007	1	EA	
7	A2001112	BURNER SUPT (VGRT)	1	EA	
8	PA020028	SPARK IGNITER	1	EA	
9	PD020004	10X3/8PH.HD.TYPE 25 REPL PD040125	1	EA	
10	A2001147	GRATE SUPT ANGLE (VGRT)	1	EA	
11	PD020002	10 X 1/2 PH.TR.HD.SMS.	1	EA	
12	A2001179	BACK SUPT (VGRT)	1	EA	

CONTROL ASSY



Item	Part No.	Name	Qty	Uom	NOTES
1	PA010034	TOP BURNER KNOB-*BK* (NEW STYLE)		EA	
	NOTE	(BEFORE 08/09/02)		EA	
	PA010035	BURNER KNOB-WH NS REPL PA010028		EA	
	NOTE	(BEFORE 08/09/02)		EA	
	PB010206	TOP BURNER KNOB BK		EA	
	NOTE	(AFTER 08/09/02)		EA	
	PB010207	TOP BURNER KNOB WH		EA	Not available online / Call for pricing and availability
	NOTE	(AFTER 08/09/02)		EA	
2	PB010208	Bezel, SS		EA	
	PB010209	Bezel - BR		EA	
3	PE010020	LOGO - PROFESSIONAL - VRTR, *BK* ASSY		EA	
	NOTE	(BEFORE 05/11/99)		EA	
	PE010019	LOGO - PROFESSIONAL - VRTR, *WH* - NLA		EA	
	NOTE	(BEFORE 05/11/99)		EA	
	PE010056	2" LOGO/VIKING "PROF" *BK**BR*		EA	NO LONGER AVAILABLE
	NOTE	(BEFORE 05/11/99)		EA	
	PE010055	2" LOGO/VIKING "PROF" *WH**BR*		EA	NO LONGER AVAILABLE
	NOTE	(BEFORE 05/11/99)		EA	
	PE010142	3" LOGO *BK**CHROME		EA	
	NOTE	(AFTER 05/11/99)		EA	
	PE010144	3" LOGO *WH*CHROME		EA	NO LONGER AVAILABLE
	NOTE	(AFTER 05/11/99)		EA	
	PE010143	3" LOGO, BK/BR		EA	
	NOTE	(AFTER 05/11/99)		EA	
	PE010145	LOGO - WH / BR		EA	
	NOTE	(AFTER 05/11/99)		EA	
4	PD020046	#8 X 1/2 SCREWS		EA	

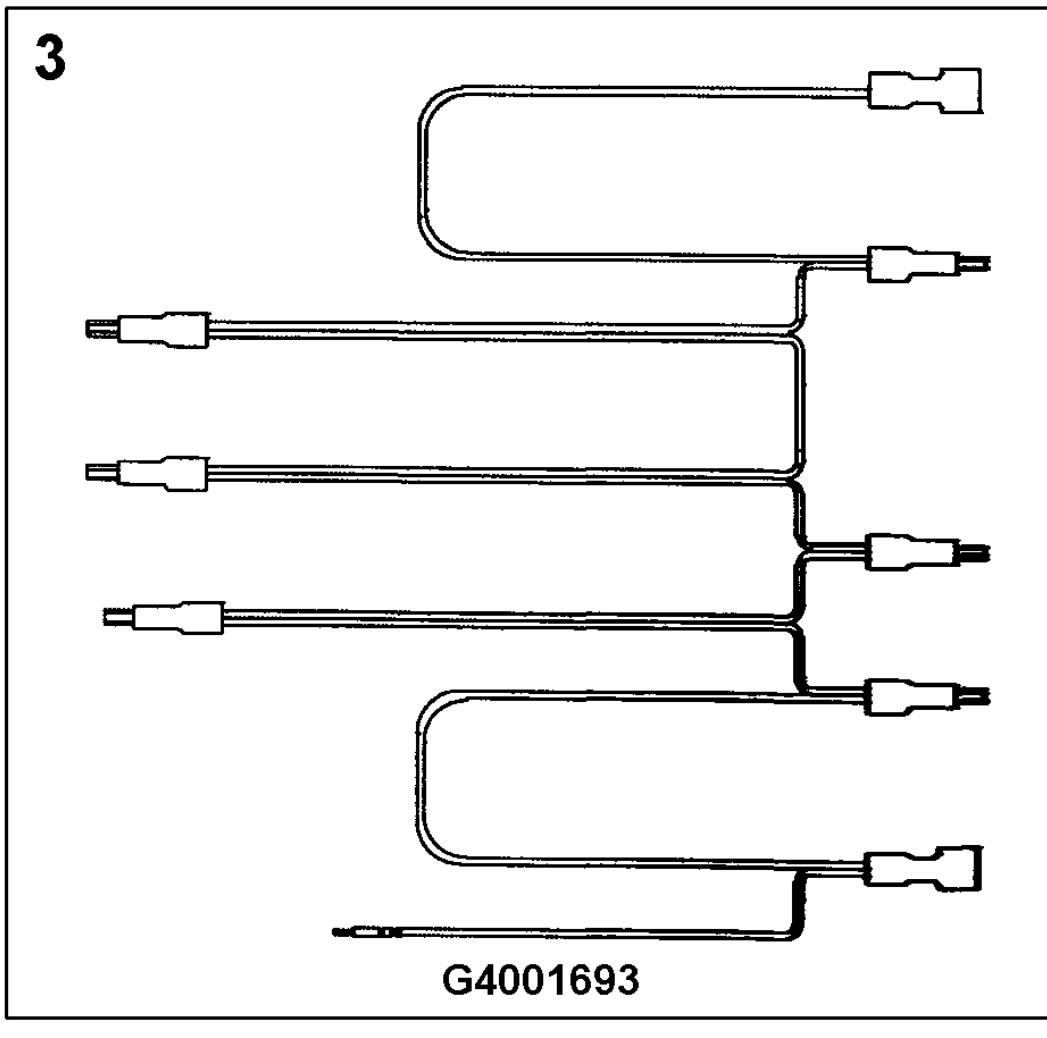
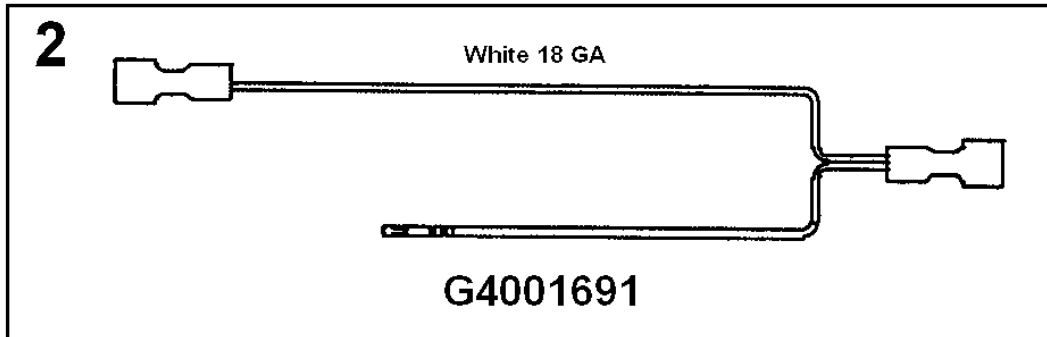
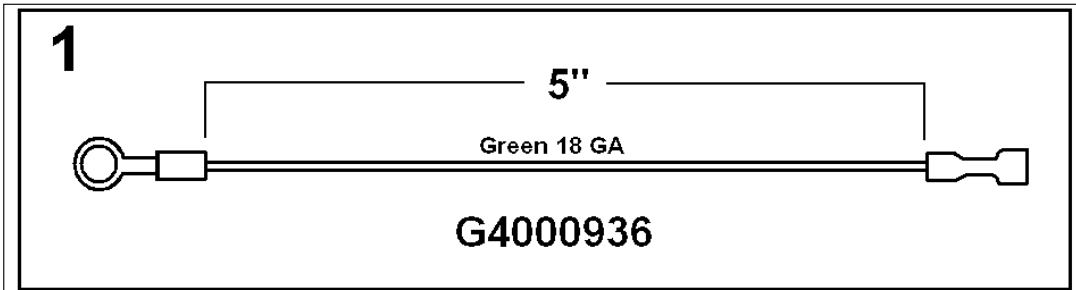
Item	Part No.	Name	Qty	Uom	NOTES
5	PD020033	SRW-#10-24X1/2"T(23)PH.WFR HD (NKL)		EA	
6	B9202383	Control Panel - 6B (SS)		EA	NO LONGER AVAILABLE
7	PD030005	SELF RETAINING NUT		EA	
8	PA020015	Spark Ignition Switch		EA	
	NOTE	BEFORE 09/22/04		EA	
8	PA020045	IGNITOR SWITCH		EA	
	NOTE	AFTER 09/22/04		EA	
9	G50012681	TOP BURNER VALVE KIT (ALUMINUM VALVE REPLACEMENT)		EA	
	NOTE	(BEFORE 08/09/02)		EA	
	G50012678	TOP BURNER VALVE KIT (BRASS VALVE REPLACEMENT)		EA	
	NOTE	(BETWEEN 08/09/02 AND 09/22/04)		EA	
	003515-000	PA010157 VALVE AND BOLT KIT		EA	
	NOTE	(AFTER 09/22/04)		EA	
10	G3001585	36" LANDING LEDGE		EA	
11	PD010012	VALVE BOLT 1/4-20 UNC-2B 5/16" M.S.		EA	
12	PA010012	ROPER PLUG		EA	
13	PA050092	MANIFOLD		EA	
14	PD030006	CAPPED WASHER PAL NUT		EA	
#	PB040034	ORIFICE HOOD-#50 (NAT)		EA	
#	PB040036	ORIFICE HOOD-#57 (LP)		EA	

Item	Part No.	Name	Qty	Uom	NOTES
1	A1001619	SPARK MODULE PLATE	1	EA	
2	PD020002	10 X 1/2 PH.TR.HD.SMS.	1	EA	
3	A1001146	PLUG BRACKET	1	EA	NO LONGER AVAILABLE, Not available online / Call for pricing and availability
4	PB070191	INSULATION PAD	1	EA	
5	PA020047	INVENSYS 0+4 RE-IGNITION SPARK MODULE	1	EA	
6	PD040005	SNAP BUSHING - 7/8"	1	EA	
7	A2001620	SPARK MODULE COVER (VGRC)	1	EA	
8	PA070003	PRESSURE REGULATOR (NAT.)	1	EA	
9	A2001909	REAR BURNER SUPT-36"(VGRT/RC)	1	EA	NO LONGER AVAILABLE
10	B2001916	SIDE TRIM-LH (VGRT)	1	EA	
	C9301916BR	SIDE TRIM LH (VGRT) *BR*	1	EA	
11	B2001920	SIDE PANEL-LH (VGRT)	1	EA	NO LONGER AVAILABLE
12	PD020032	SRW-8(A)X3/8"PH.WFR HD 7/16DIA*NICL	1	EA	
13	A2001912	BURNER BOX SIDE LH	1	EA	
14	A2001105	FRONT SUPT (36")	1	EA	Not available online / Call for pricing and availability
15	A1001138	MANIFOLD BRKT	1	EA	NO LONGER AVAILABLE, Not available online / Call for pricing and availability
16	A2001911	BURNER BOX SIDE RH	1	EA	
17	B2001919	SIDE PANEL-RH (VGRT)	1	EA	
18	B2001915	SIDE TRIM-RH (VGRT)	1	EA	
	C9301915BR	SIDE TRIM RH (VGRT) *BR*	1	EA	
19	A2000667	SHIELD - OUTLET VRTR	1	EA	NO LONGER AVAILABLE
NI	PB070034	INSULATION-TRS-10 1" X 20" X 77' ROLL	1	EA	NO LONGER AVAILABLE



Item	Part No.	Name	Qty	Uom	NOTES
NI	PB070038	TRS-10 2" X 24" X 3' INSULATION	1	EA	

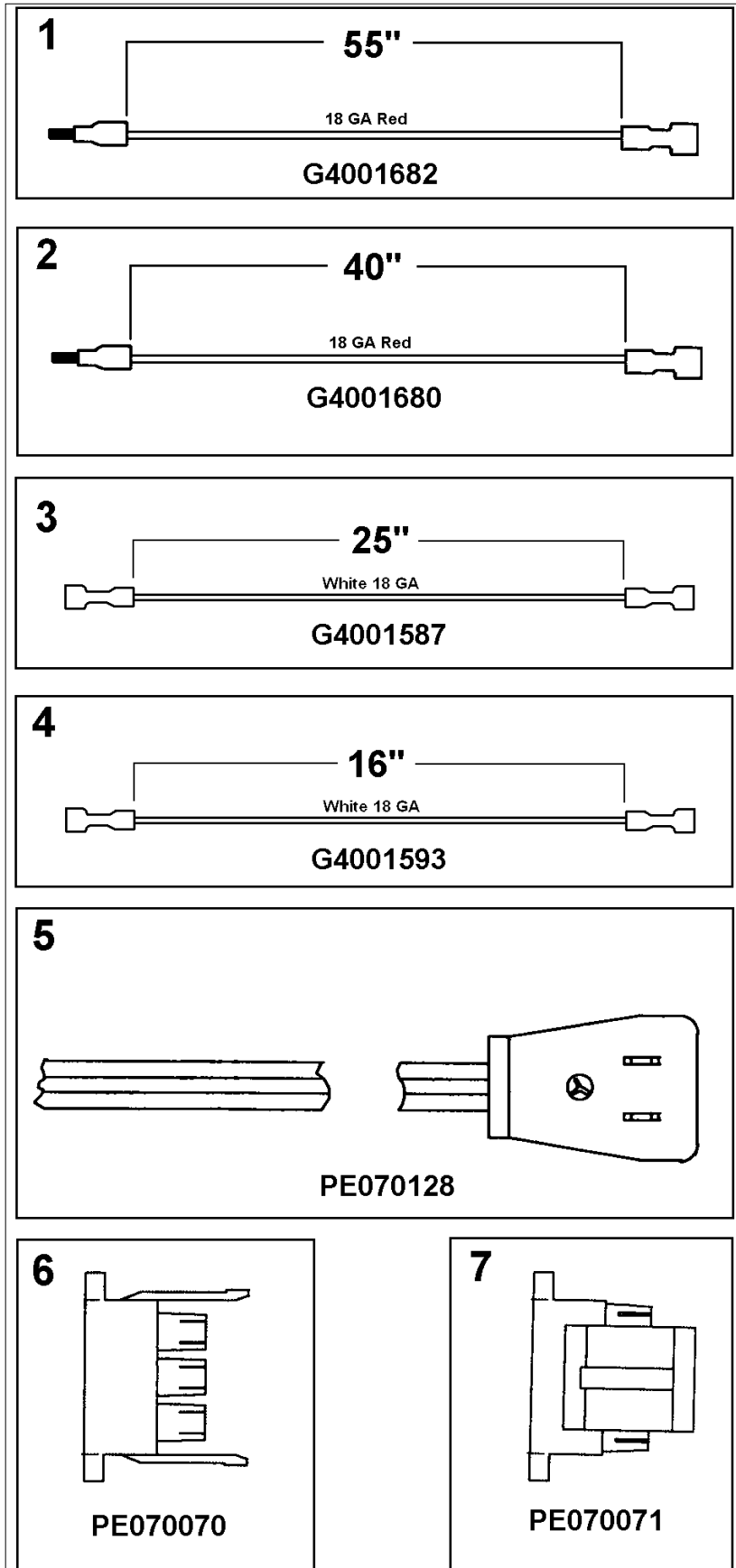
WIRING





Item	Part No.	Name	Qty	Uom	NOTES
1	G4000936	GROUND WIRE	1	EA	
2	G4001691	WIRING HARNESS - NEUTRAL	1	EA	Not available online / Call for pricing and availability
3	G4001693	WIRING HARNESS - LINE	1	EA	

WIRING - CONTINUED



Item	Part No.	Name	Qty	Uom	NOTES
1	G4001682	WIRE ASSY *AL* 55"	1	EA	
2	G4001680	WIRE, SPRK MDLE-TOP BRNR VLVE SWITCH (40)	1	EA	
3	G4001587	SPARK MODULE-TOP BRNR SPARKER (25)	1	EA	
4	PE070719	IGNITOR WIRE KIT - VDSC3674Q (INCLUDES MULTIPLE WIRES)	1	EA	
5	PE070128	Supply Cord	1	EA	
6	PE070070	Disconnect Block - Male	1	EA	
7	PE070071	Disconnect Block - Female	1	EA	NO LONGER AVAILABLE



Appendix A:Pages Index

BOTTOM ASSY 1
BURNER GRATE ASSY 2
CONTROL ASSY 3
EXTERIOR AND REAR UNIT ASSY 4
WIRING 5
WIRING - CONTINUED 6



Appendix B:Parts Index

003515-000	3	G50013584EP	2
066982-000	2	G50013584FG	2
A1001138	4	G50013584GG	2
A1001146	4	G50013584LE	2
A1001619	4	G50013584MJ	2
A2000667	4	G50013584SG	2
A2001101	1	G50013584VB	2
A2001105	4	G50013584WH	2
A2001109	1	PA010012	3
A2001112	2	PA010034	3
A2001147	2	PA010035	3
A2001179	2	PA020015	3
A2001620	4	PA020028	2
A2001909	4	PA020045	3
A2001911	4	PA020047	4
A2001912	4	PA030002AL	2
A30012197	1	PA030002BK	2
B2001915	4	PA030002BT	2
B2001916	4	PA030002CB	2
B2001919	4	PA030002EP	2
B2001920	4	PA030002FG	2
B3001150	1	PA030002GG	2
B9202383	3	PA030002LE	2
C9301150PVD	1	PA030002MJ	2
C9301915BR	4	PA030002SG	2
C9301916BR	4	PA030002VB	2
G30010455	1	PA030002WH	2
G3001585	3	PA050092	3
G4000936	5	PA060037	2
G4001587	6	PA060038	2
G4001680	6	PA070003	4
G4001682	6	PA080016	2
G4001691	5	PA080036	2
G4001693	5	PA080037	2
G50012678	3	PB010206	3
G50012681	3	PB010207	3
G50013584AL	2	PB010208	3
G50013584BK	2	PB010209	3
G50013584BT	2	PB040034	3
G50013584CB	2	PB040036	3
		PB070034	4



PB070038 4
PB070191 4
PD010012 3
PD010041 1
PD020002 2, 4
PD020004 2
PD020032 4
PD020033 3
PD020046 3
PD030005 3
PD030006 3
PD030044 1
PD040004 1
PD040005 4
PE010019 3
PE010020 3
PE010055 3
PE010056 3
PE010142 3
PE010143 3
PE010144 3
PE010145 3
PE070070 6
PE070071 6
PE070128 6
PE070719 6
PK000007 1
PK000008 1
PK000009 1
PK000010 1