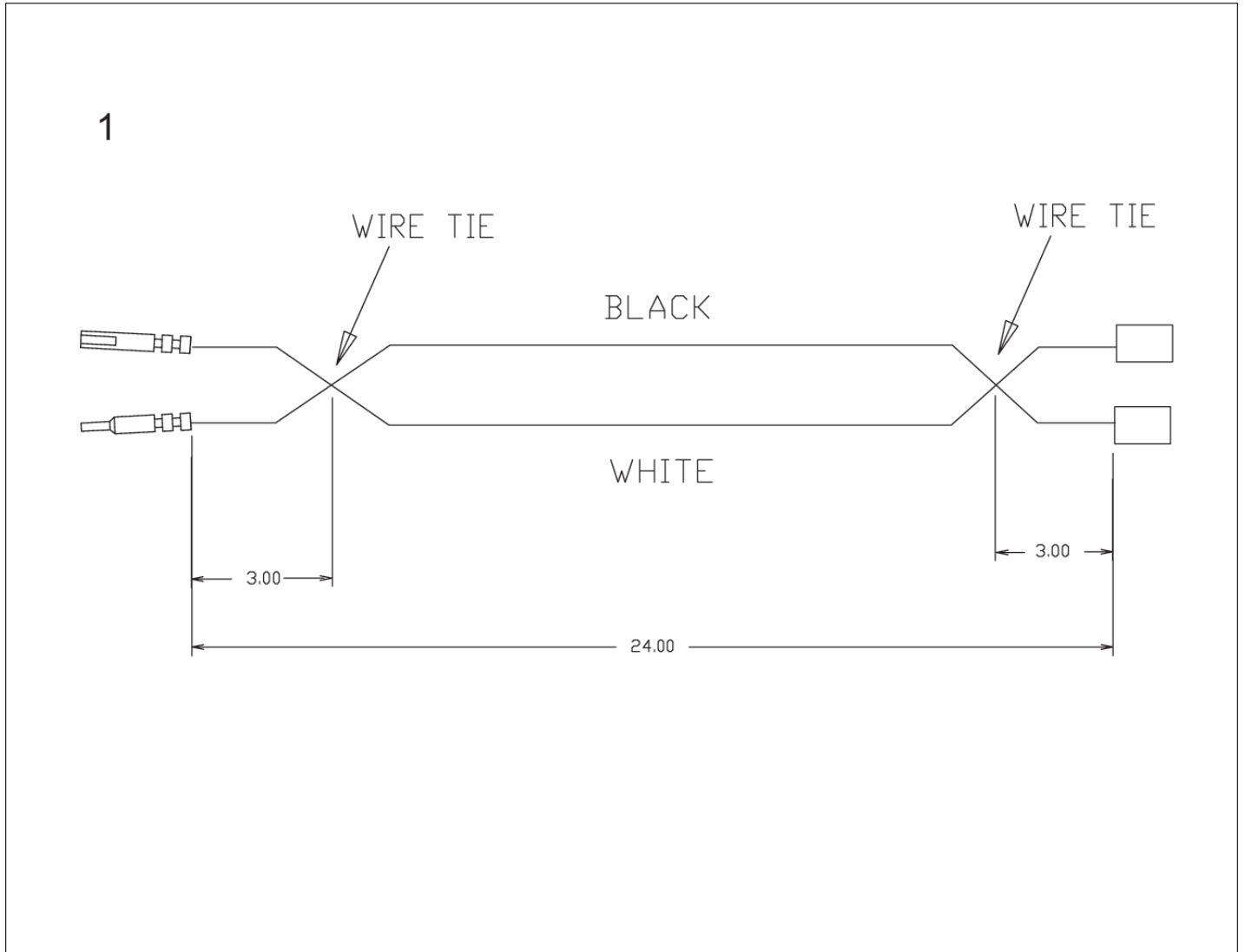


VGRT421-4GAFTER07-09-07

000837-000	1
000878-000	2
000879-000	3
BURNER BOX INTERIOR	4
CONTROL AREA	5
DRIP TRAY	6
GRIDDLE SUBASSEMBLY	7
PE070890	8
SURFACE COOKING AREA	9
TOP BURNER IGNITER WIRES	10
WIRING DIAGRAM	11
Appendix A:Pages Index	A
Appendix B:Parts Index	B

000837-000



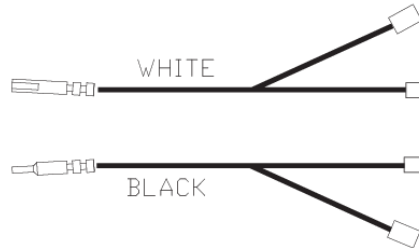
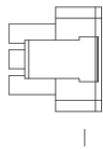
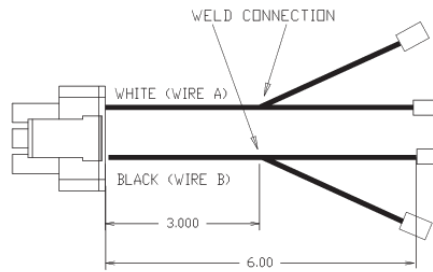


Item	Part No.	Name	Qty	Uom	NOTES
1	000837-000	VGRT SUPPLY CORD JUMPER	1	EA	Not available online / Call for pricing and availability
	NOTE	(BEFORE 10/4/11)		EA	
NI	027347-000	SUPPLY CORD JUMPER	1	EA	
	NOTE	(ON OR AFTER 10/4/11)		EA	

000878-000

1

A = POSITION 6
B = POSITION 4





Item	Part No.	Name	Qty	Uom	NOTES
1	000878-000	IRIS POWER JUMPER W/GRIDDLE - NLA	1	EA	NO LONGER AVAILABLE

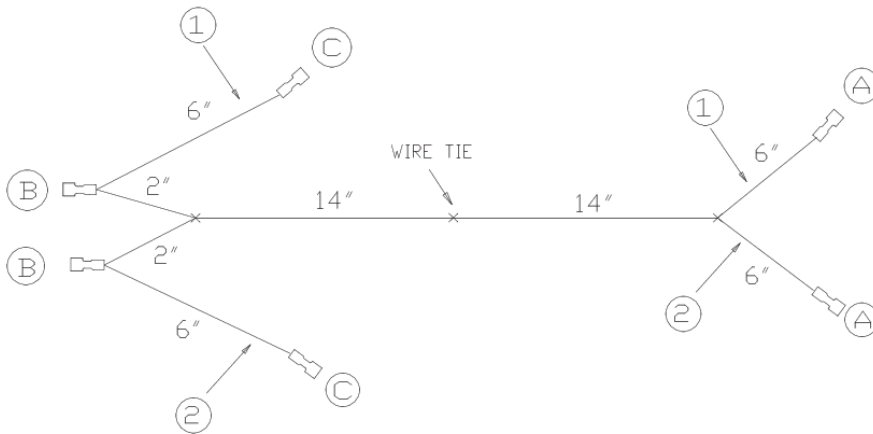
000879-000

1

① = BLACK WIRE

② = WHITE WIRE

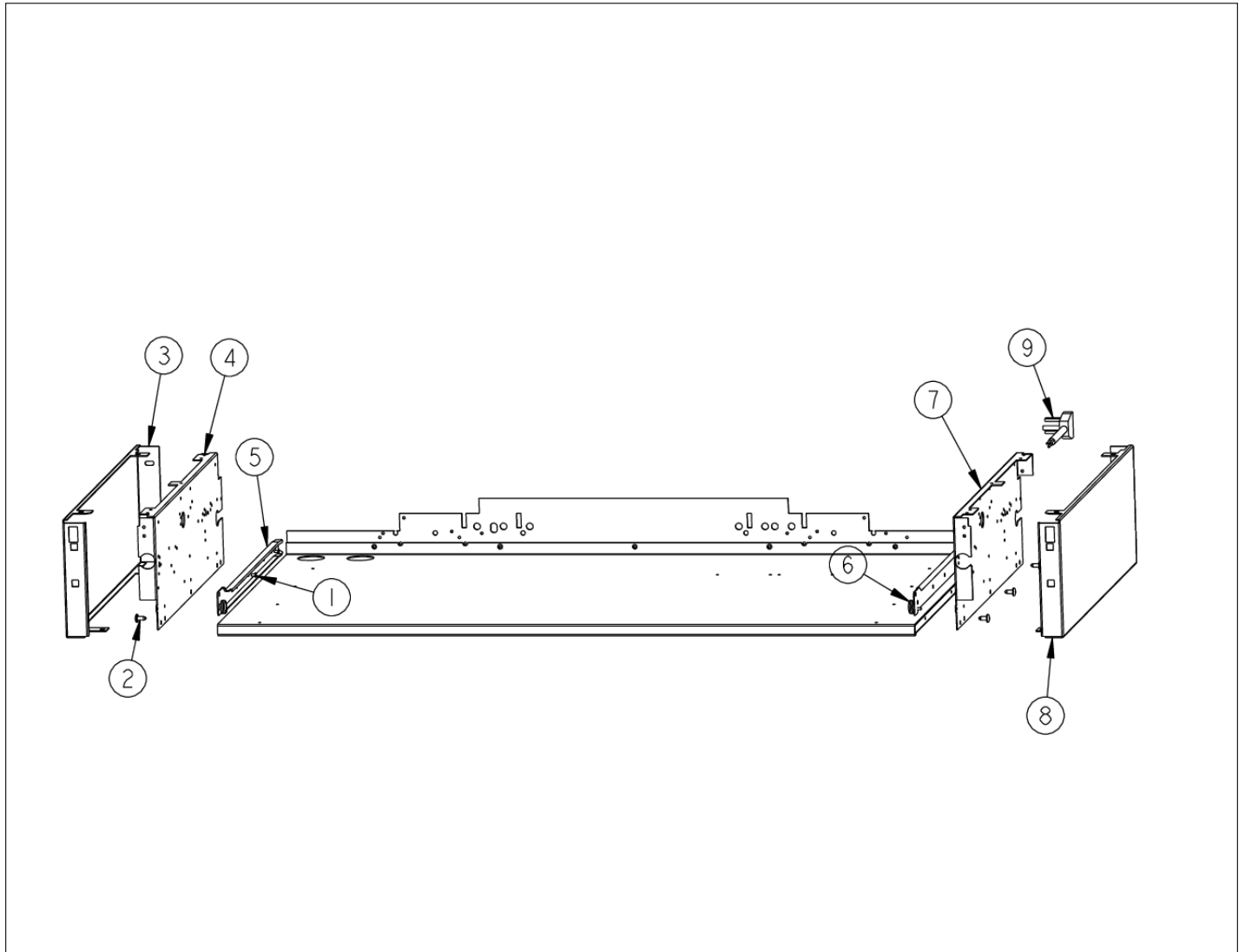
	QTY	DESCRIPTION
A	2	250 X .032 INSULATED FEMALE QUICK CONNECT
B	2	250 X .032 INSULATED FEMALE QUICK CONNECT
C	2	187 X .032 INSULATED FEMALE QUICK CONNECT





Item	Part No.	Name	Qty	Uom	NOTES
1	000879-000	GRIDDLE HARNESS W/IRIS	1	EA	

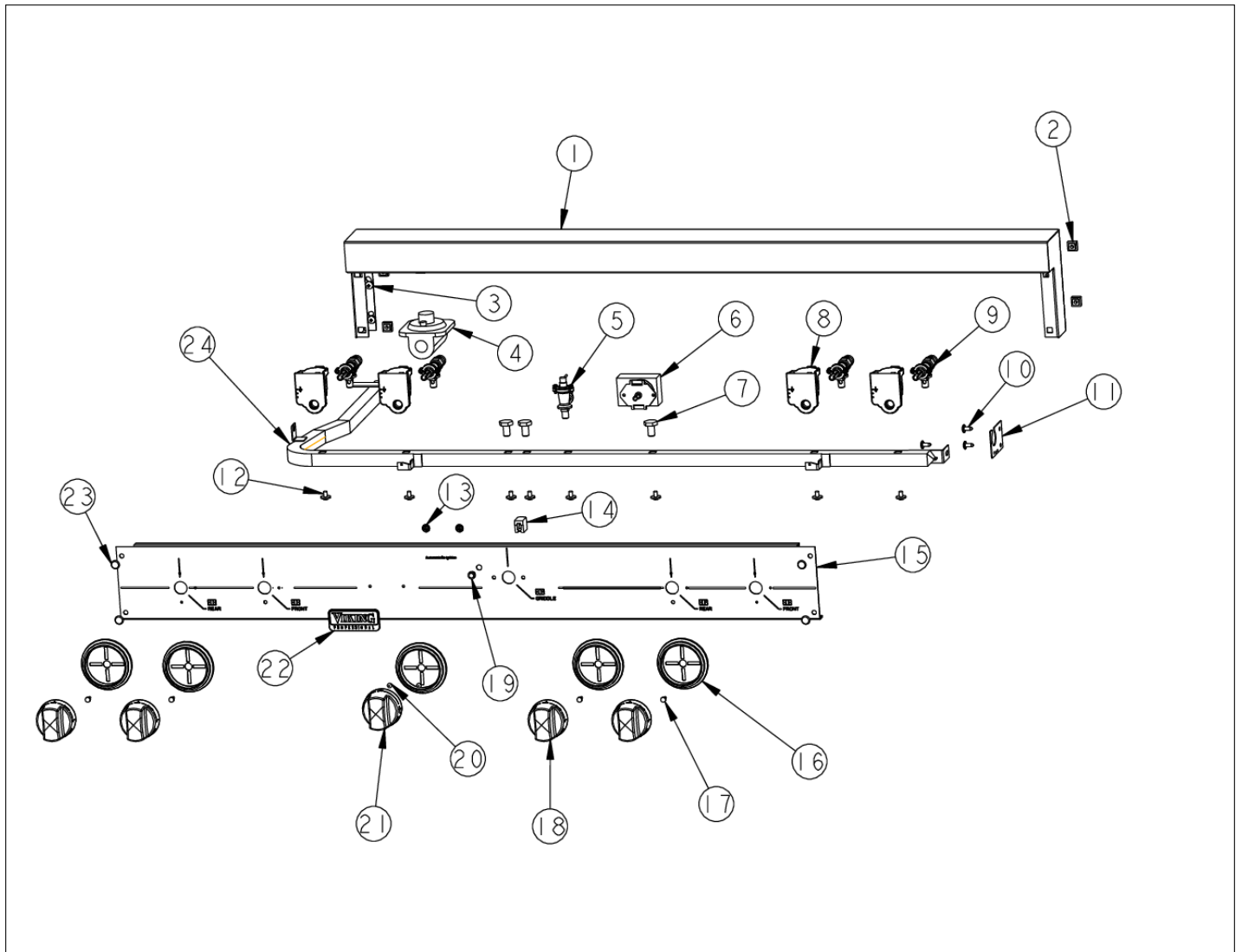
BURNER BOX INTERIOR





Item	Part No.	Name	Qty	Uom	NOTES
1	PC040010	POP RIVET (.063/GR -.125) GAMD42-A	1	EA	
2	PD020002	10 X 1/2 PH.TR.HD.SMS.	1	EA	
3	B2001920	SIDE PANEL-LH (VGRT)	1	EA	NO LONGER AVAILABLE
4	A2001912	BURNER BOX SIDE LH	1	EA	
5	PK000007	DRIP TRAY GUIDE - LH (VGRT)	1	EA	NO LONGER AVAILABLE
6	PK000008	Drip Tray Guide - RH	1	EA	NO LONGER AVAILABLE
7	A2001911	BURNER BOX SIDE RH	1	EA	
8	B2001919	SIDE PANEL-RH (VGRT)	1	EA	
9	PE070128	Supply Cord	1	EA	

CONTROL AREA



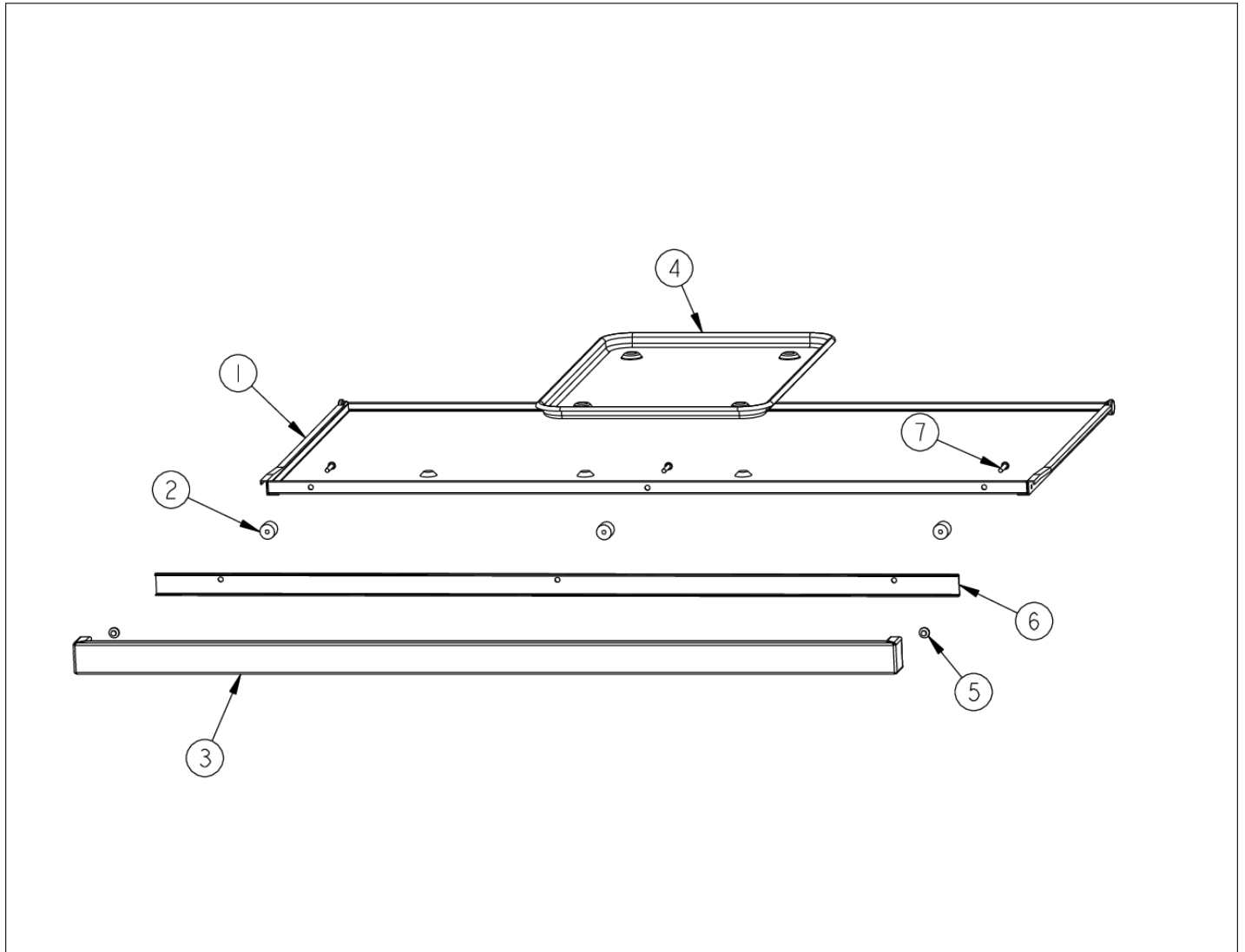
Item	Part No.	Name	Qty	Uom	NOTES
1	G3004800	LANDING LEDGE ASSY (WELD) 42"	1	EA	
2	PD030005	SELF RETAINING NUT	1	EA	
3	PD010003	10-24 X 1/2 PH.TR.HD.SERD.M.S.	1	EA	
4	PA070003	PRESSURE REGULATOR (NAT.)	1	EA	
5	007147-000	SHUT OFF VALVE	1	EA	
6	PB010264	GRIDDLE THERMOSTAT	1	EA	
7	PD010012	VALVE BOLT 1/4-20 UNC-2B 5/16" M.S.	1	EA	
8	035795-000	MODULE, IGN, GAS,SNGL	1	EA	
9	003515-000	PA010157 VALVE AND BOLT KIT	1	EA	
10	PD020002	10 X 1/2 PH.TR.HD.SMS.	1	EA	
11	A1001138	MANIFOLD BRKT	1	EA	NO LONGER AVAILABLE, Not available online / Call for pricing and availability
12	PD010012	VALVE BOLT 1/4-20 UNC-2B 5/16" M.S.	1	EA	
13	PD030006	CAPPED WASHER PAL NUT	1	EA	
14	PE050024	OVEN IND. LIGHT (LIGHT HOUSING)	1	EA	
15	B9206705	VGRT4204G CONTROL PANEL *SLK. SCR*	1	EA	NO LONGER AVAILABLE
	C9206705AL	CONTROL PANEL VGRT4204G *AL* SILK SCR	1	EA	NO LONGER AVAILABLE, Not available online / Call for pricing and availability
	C9206705BK	VGRT4204G CONTROL PANEL *BK*SLK SCR	1	EA	NO LONGER AVAILABLE, Not available online / Call for pricing and availability
	C9206705BT	CONTROL PANEL VGRT4204G *BT* SILK SCR	1	EA	NO LONGER AVAILABLE, Not available online / Call for pricing and availability

Item	Part No.	Name	Qty	Uom	NOTES
	C9206705BU	CONTROL PANEL VGRT4204G *BU* SILK SCR	1	EA	NO LONGER AVAILABLE, Not available online / Call for pricing and availability
	C9206705CB	CONTROL PANEL VGRT4204G *CB* SILK SCR	1	EA	NO LONGER AVAILABLE, Not available online / Call for pricing and availability
	C9206705EP	CONTROL PANEL VGRT4204G *EP* SILK SCR	1	EA	NO LONGER AVAILABLE, Not available online / Call for pricing and availability
	C9206705FG	CONTROL PANEL VGRT4204G *FG* SILK SCR	1	EA	NO LONGER AVAILABLE, Not available online / Call for pricing and availability
	C9206705GG	CONTROL PANEL VGRT4204G *GG* SILK SCR	1	EA	NO LONGER AVAILABLE, Not available online / Call for pricing and availability
	C9206705LE	CONTROL PANEL VGRT4204G *LE* SILK SCR	1	EA	NO LONGER AVAILABLE, Not available online / Call for pricing and availability
	C9206705MJ	CONTROL PANEL VGRT4204G *MJ* SILK SCR	1	EA	NO LONGER AVAILABLE, Not available online / Call for pricing and availability
	C9206705SG	CONTROL PANEL VGRT4204G *SG* SILK SCR	1	EA	NO LONGER AVAILABLE, Not available online / Call for pricing and availability
	C9206705VB	CONTROL PANEL VGRT4204G *VB* SILK SCR	1	EA	NO LONGER AVAILABLE, Not available online / Call for pricing and availability
	C9206705WH	VGRT4204G CONTROL PANEL *WH*SLK SCR	1	EA	NO LONGER AVAILABLE, Not available online / Call for pricing and availability
16	050172-000	BEZEL, KNOB	1	EA	
	PB010209	Bezel - BR	1	EA	



Item	Part No.	Name	Qty	Uom	NOTES
17	PD020067	#6 X 3/8" PAN PHIL. TEK *SS*	1	EA	
18	PB010206	TOP BURNER KNOB BK	1	EA	
	PB010207	TOP BURNER KNOB WH	1	EA	Not available online / Call for pricing and availability
19	PE050023	OVEN IND. LIGHT (LENS & BEZEL)	1	EA	NO LONGER AVAILABLE
20	PD020006	' #6-32 X 1/4" PH.PAN HD. T(F)	1	EA	
21	PB010103	GRIDDLE KNOB N/S *BK*	1	EA	
	PB010104	GRIDDLE KNOB N/S *WH*	1	EA	NO LONGER AVAILABLE
22	PE010142	3" LOGO *BK**CHROME	1	EA	
	PE010143	3" LOGO, BK/BR	1	EA	
	PE010144	3" LOGO *WH*CHROME	1	EA	NO LONGER AVAILABLE
	PE010145	LOGO - WH / BR	1	EA	
23	PD020033	SRW-#10-24X1/2"(23)PH.WFR HD (NKL)	1	EA	
24	PA050100	VGRT420 MANIFOLD	1	EA	NO LONGER AVAILABLE

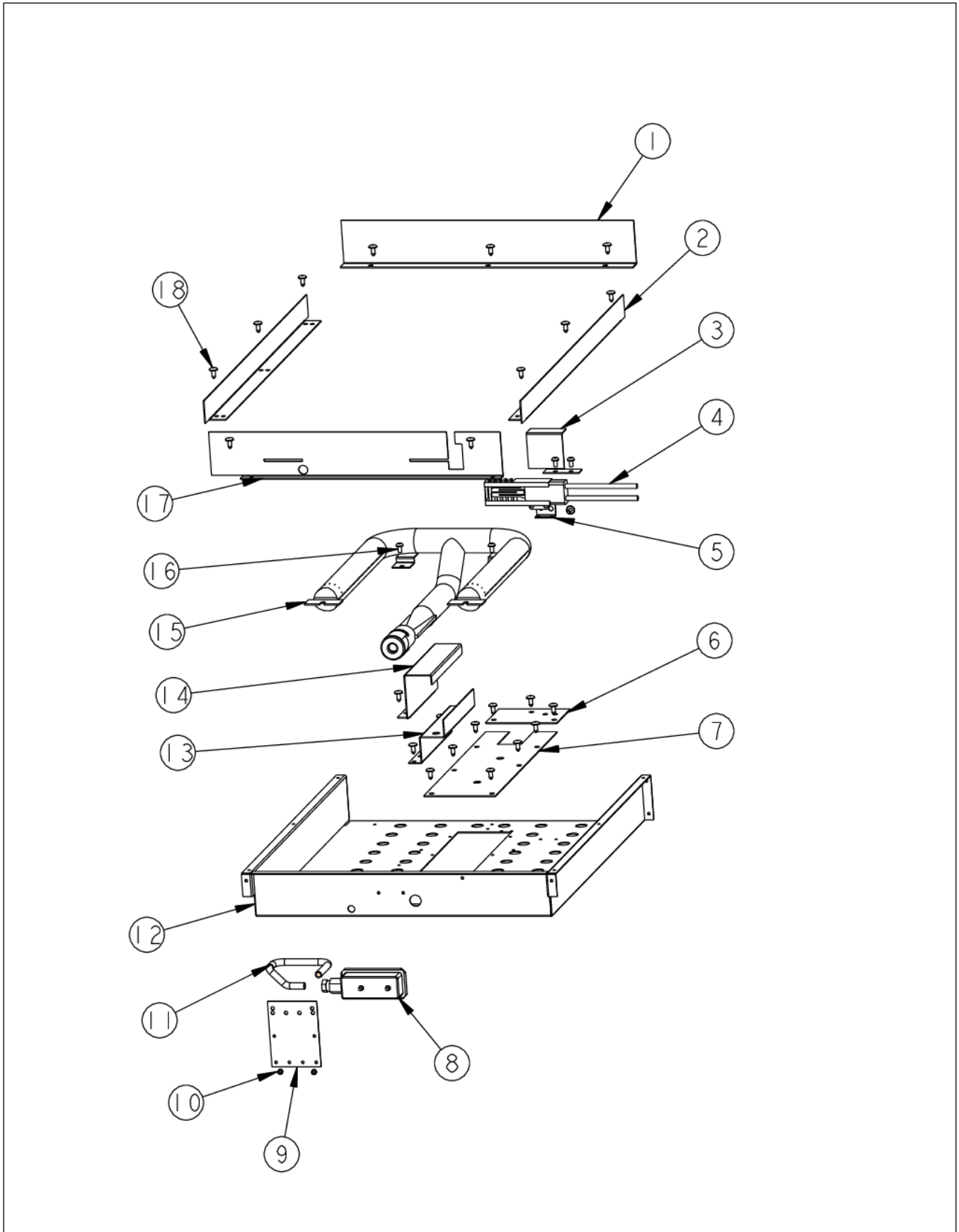
DRIP TRAY





Item	Part No.	Name	Qty	Uom	NOTES
1	G30013529	42" DRIP TRAY ASSEMBLY, NLA	1	EA	
2	PD040028	BUSHING(.194ID/.750OD/.750L ONG)	1	EA	
3	G30011221	DRIP TRAY HANDLE ASSY - VGRT420	1	EA	
	G93011460PVD	DRIP TRAY HANDLE ASSY - VGRT420	1	EA	NO LONGER AVAILABLE, Not available online / Call for pricing and availability
4	J2101749	GREASE PAN	1	EA	
5	PD040004	GROMMET BUMPER	1	EA	
6	A20011223	DRIP TRAY HANDLE BACK-VGRT420	1	EA	
7	PD020079	#10 X 1 1/4 PH. PAN HD. T(A) NYLOK	1	EA	

GRIDDLE SUBASSEMBLY



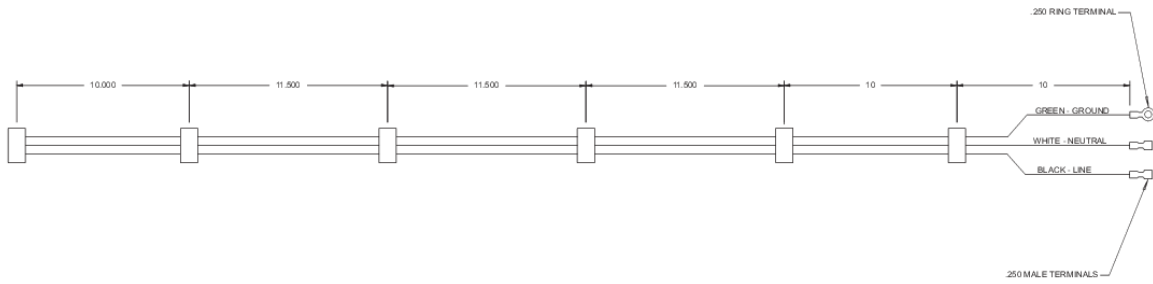
Item	Part No.	Name	Qty	Uom	NOTES
1	A2007975	REAR GRIDDLE BAFFLE	1	EA	NO LONGER AVAILABLE, Not available online / Call for pricing and availability
2	A2002896	GRIDDLE BOX EXTENSION (LH / RH)	1	EA	Not available online / Call for pricing and availability
3	A2009515	REAR IGNITER SHIELD	1	EA	NO LONGER AVAILABLE, Not available online / Call for pricing and availability
4	065650-000	IGNITOR, FLAT, HOT SURFACE	1	EA	
5	A2001300	Griddle Igniter Bracket	1	EA	
6	A1009516	GRIDDLE BODY REAR COVER	1	EA	
7	A1009514	VENTURI COVER	1	EA	NO LONGER AVAILABLE, Not available online / Call for pricing and availability
8	PB010004	SINGLE SAFETY VALVE (NAT. GRIDDLE)	1	EA	
9	A1001198	THERMAL VALVE BRKT	1	EA	NO LONGER AVAILABLE, Not available online / Call for pricing and availability
10	PD030012	6-32 HEX NUT	1	EA	
11	PB010116	OVEN TEMPURATURE PROBE	1	EA	NO LONGER AVAILABLE
12	A2006704	18" GRIDDLE BOX	1	EA	NO LONGER AVAILABLE
13	A20013591	THERMAL BULB BRACKET	1	EA	NO LONGER AVAILABLE, Not available online / Call for pricing and availability
14	A20013592	THERMAL BULB SHIELD	1	EA	NO LONGER AVAILABLE, Not available online / Call for pricing and availability
15	PA080061	18" GRIDDLE BURNER	1	EA	
16	PD020004	10X3/8PH.HD.TYPE 25 REPL PD040125	1	EA	



Item	Part No.	Name	Qty	Uom	NOTES
17	A2006700	GRIDDLE BURNER SUPPORT	1	EA	NO LONGER AVAILABLE, Not available online / Call for pricing and availability
18	PD020002	10 X 1/2 PH.TR.HD.SMS.	1	EA	

PE070890

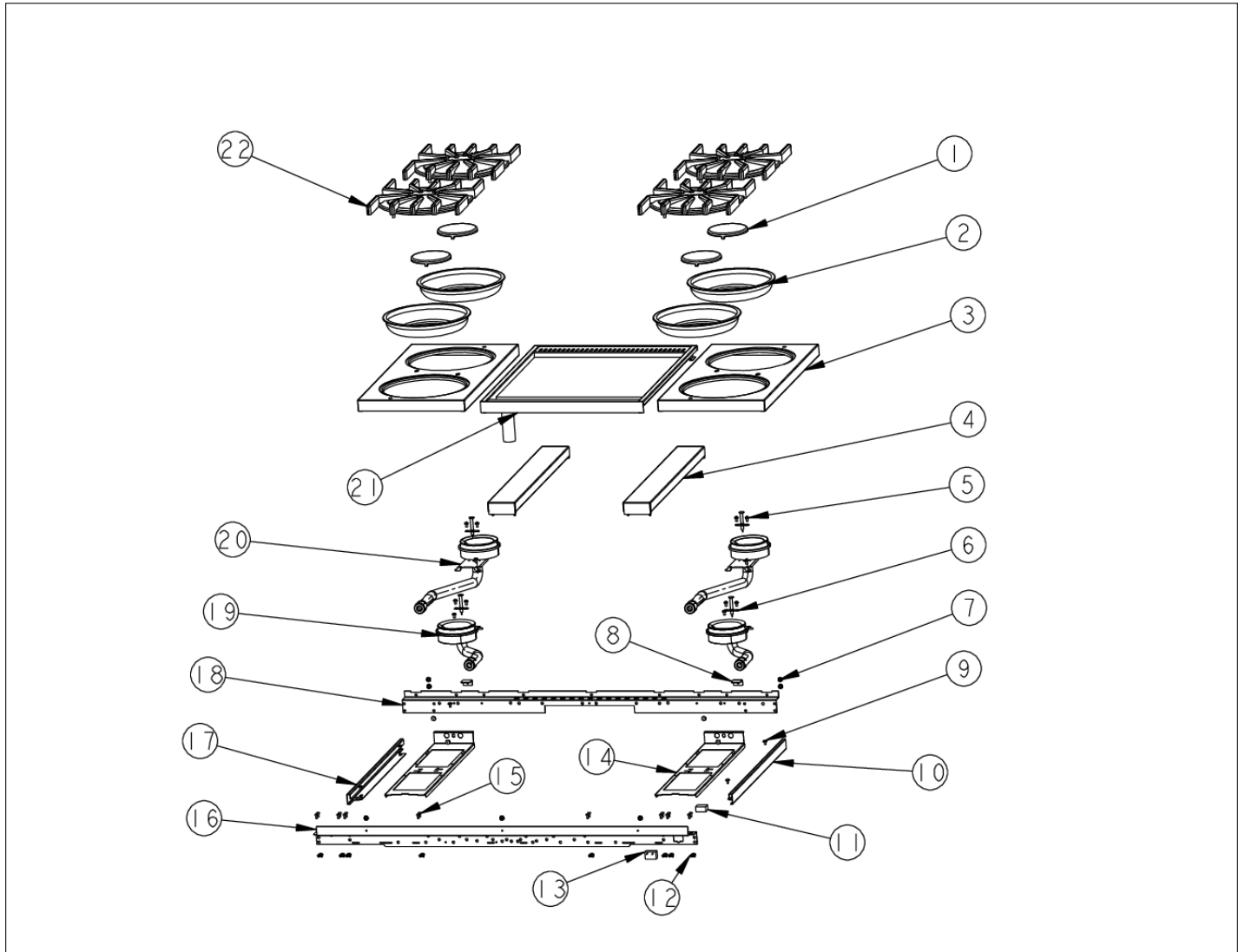
1





Item	Part No.	Name	Qty	Uom	NOTES
1	PE070890	IRIS HARNESS - 36"	1	EA	

SURFACE COOKING AREA

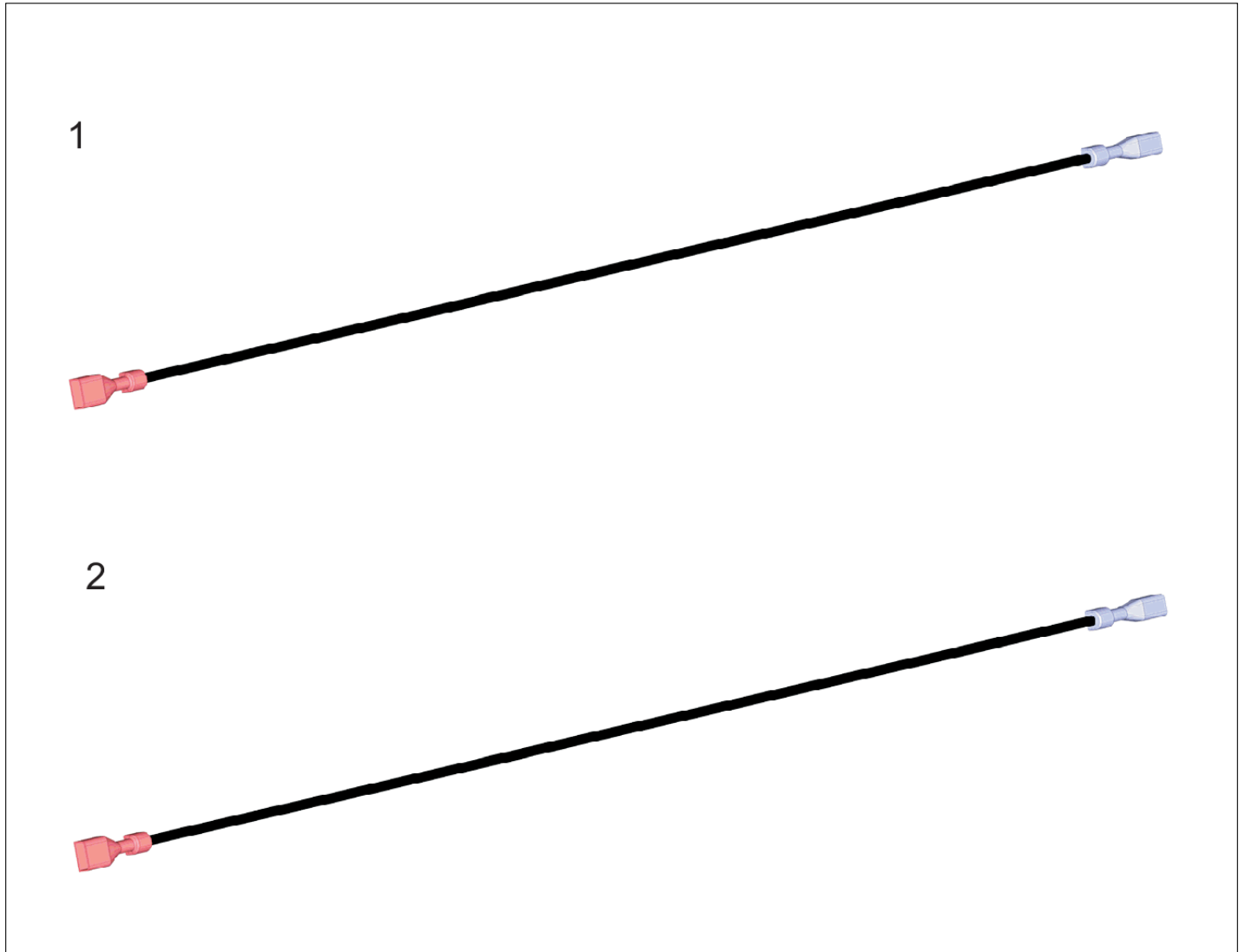


Item	Part No.	Name	Qty	Uom	NOTES
1	066982-000	CAP, BURNER, OPEN, BLK	1	EA	
2	PA030002BK	BURNER BOWL (VGRT) **BK**	1	EA	
	PA030002WH	BURNER BOWL (VGRT) **WH**	1	EA	NO LONGER AVAILABLE
3	G50013584BK	GRATE SUPPORT SERVICE KIT (BK)	1	EA	
	G50013584WH	GRATE SUPPORT SERVICE KIT (WH)	1	EA	
4	E9103084BK	SIDE SPACER 3"W (42"RT) *BK*	1	EA	
	E9103084WH	SIDE SPACER 3"W (42"RT) *WH*	1	EA	NO LONGER AVAILABLE, Not available online / Call for pricing and availability
5	PD020004	10X3/8PH.HD.TYPE 25 REPL PD040125	1	EA	
6	PA020028	SPARK IGNITER	1	EA	
7	PD020002	10 X 1/2 PH.TR.HD.SMS.	1	EA	
8	A2001147	GRATE SUPT ANGLE (VGRT)	1	EA	
9	PD020032	SRW-8(A)X3/8"PH.WFR HD 7/16DIA*NICL	1	EA	
10	B2001915	SIDE TRIM-RH (VGRT)	1	EA	
	C9301915BR	SIDE TRIM RH (VGRT) *BR*	1	EA	
11	PE070071	Disconnect Block - Female	1	EA	NO LONGER AVAILABLE
12	PD010016	BALL STUD FASTEN	1	EA	
13	000573-000	POWER JUMPER WIRE	1	EA	
14	A2001112	BURNER SUPT (VGRT)	1	EA	
15	PC040010	POP RIVET (.063/GR -.125) GAMD42-A	1	EA	
16	A2004808	FRONT SUPPORT - 42"	1	EA	NO LONGER AVAILABLE
17	B2001916	SIDE TRIM-LH (VGRT)	1	EA	
	C9301916BR	SIDE TRIM LH (VGRT) *BR*	1	EA	
18	A2004806	REAR BURNER SUPPORT - 42"	1	EA	NO LONGER AVAILABLE
19	PA080037	TOP BURNER FRONT REPL PA080007	1	EA	



Item	Part No.	Name	Qty	Uom	NOTES
20	PA080036	TOP BURNER REAR REPL PA080008	1	EA	
21	003213-000	18" OPEN GRIDDLE FRAME WELD ASSY	1	EA	
22	PA060037	GRATE BK REPL PA060024 (GEN.#2)	1	EA	

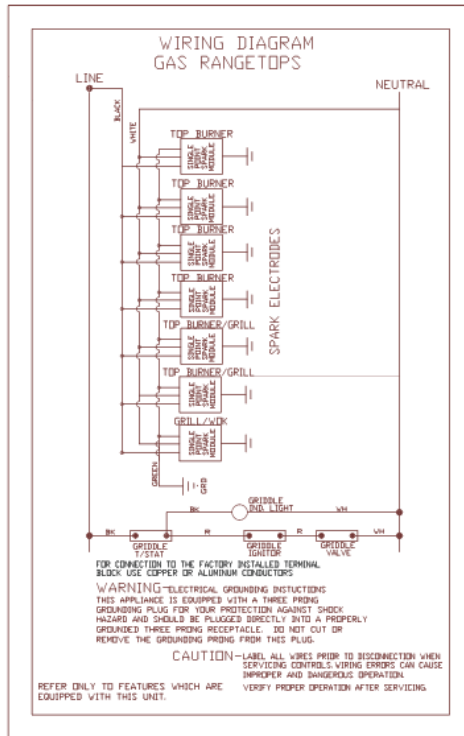
TOP BURNER IGNITER WIRES





Item	Part No.	Name	Qty	Uom	NOTES
1	000647-000	IRIS IGNITOR WIRE, FRONT BURNER	1	EA	
2	006766-000	IRIS IGNITOR WIRE, BACK BURNER	1	EA	

WIRING DIAGRAM





Appendix A:Pages Index

000837-000 1
000878-000 2
000879-000 3
BURNER BOX INTERIOR 4
CONTROL AREA 5
DRIP TRAY 6
GRIDDLE SUBASSEMBLY 7
PE070890 8
SURFACE COOKING AREA 9
TOP BURNER IGNITER WIRES 10
WIRING DIAGRAM 11



Appendix B:Parts Index

000573-000	9	C9206705BT	5
000647-000	10	C9206705BU	5
000837-000	1	C9206705CB	5
000878-000	2	C9206705EP	5
000879-000	3	C9206705FG	5
003213-000	9	C9206705GG	5
003515-000	5	C9206705LE	5
006766-000	10	C9206705MJ	5
007147-000	5	C9206705SG	5
027347-000	1	C9206705VB	5
035795-000	5	C9206705WH	5
050172-000	5	C9301915BR	9
065650-000	7	C9301916BR	9
066982-000	9	E9103084BK	9
A1001138	5	E9103084WH	9
A1001198	7	G30011221	6
A1009514	7	G30013529	6
A1009516	7	G3004800	5
A2001112	9	G50013584BK	9
A20011223	6	G50013584WH	9
A2001147	9	G93011460PVD	6
A2001300	7	J2101749	6
A20013591	7	PA020028	9
A20013592	7	PA030002BK	9
A2001911	4	PA030002WH	9
A2001912	4	PA050100	5
A2002896	7	PA060037	9
A2004806	9	PA070003	5
A2004808	9	PA080036	9
A2006700	7	PA080037	9
A2006704	7	PA080061	7
A2007975	7	PB010004	7
A2009515	7	PB010103	5
B2001915	9	PB010104	5
B2001916	9	PB010116	7
B2001919	4	PB010206	5
B2001920	4	PB010207	5
B9206705	5	PB010209	5
C9206705AL	5	PB010264	5
C9206705BK	5	PC040010	4, 9
		PD010003	5



PD010012 5, 5
PD010016 9
PD020002 4, 5, 7, 9
PD020004 7, 9
PD020006 5
PD020032 9
PD020033 5
PD020067 5
PD020079 6
PD030005 5
PD030006 5
PD030012 7
PD040004 6
PD040028 6
PE010142 5
PE010143 5
PE010144 5
PE010145 5
PE050023 5
PE050024 5
PE070071 9
PE070128 4
PE070890 8
PK000007 4
PK000008 4