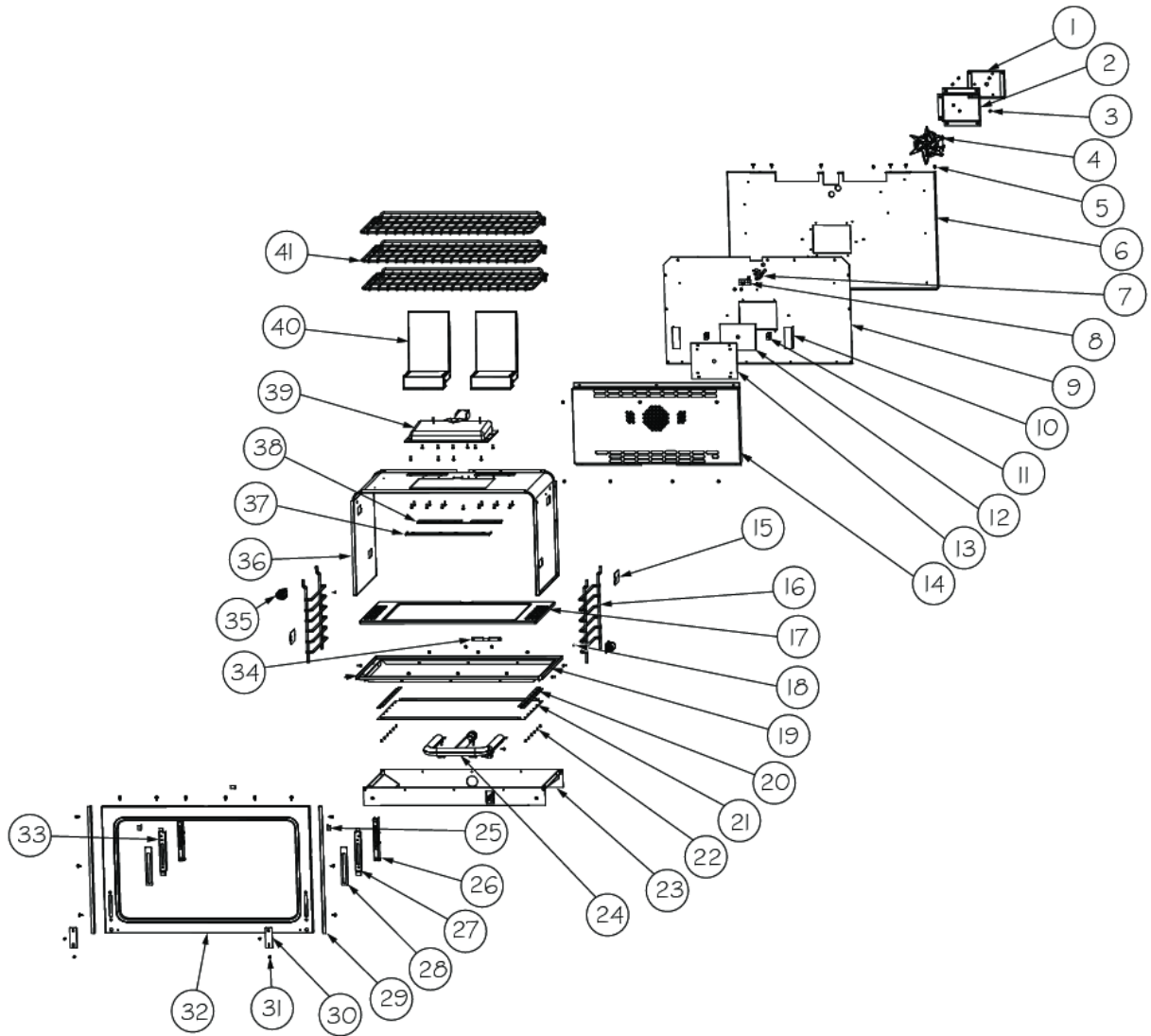


EVGCC536-6B

CAVITY INTERIOR	1
CONTROL AREA	2
DOOR ASSEMBLY	3
LOWER UNIT AND SIDE PANEL	4
OVEN ELECTRONICS	5
REAR SHEET METAL	6
SURFACE COOKING AREA	7
UNIT WIRING	8
Appendix A:Pages Index	A
Appendix B:Parts Index	B

CAVITY INTERIOR

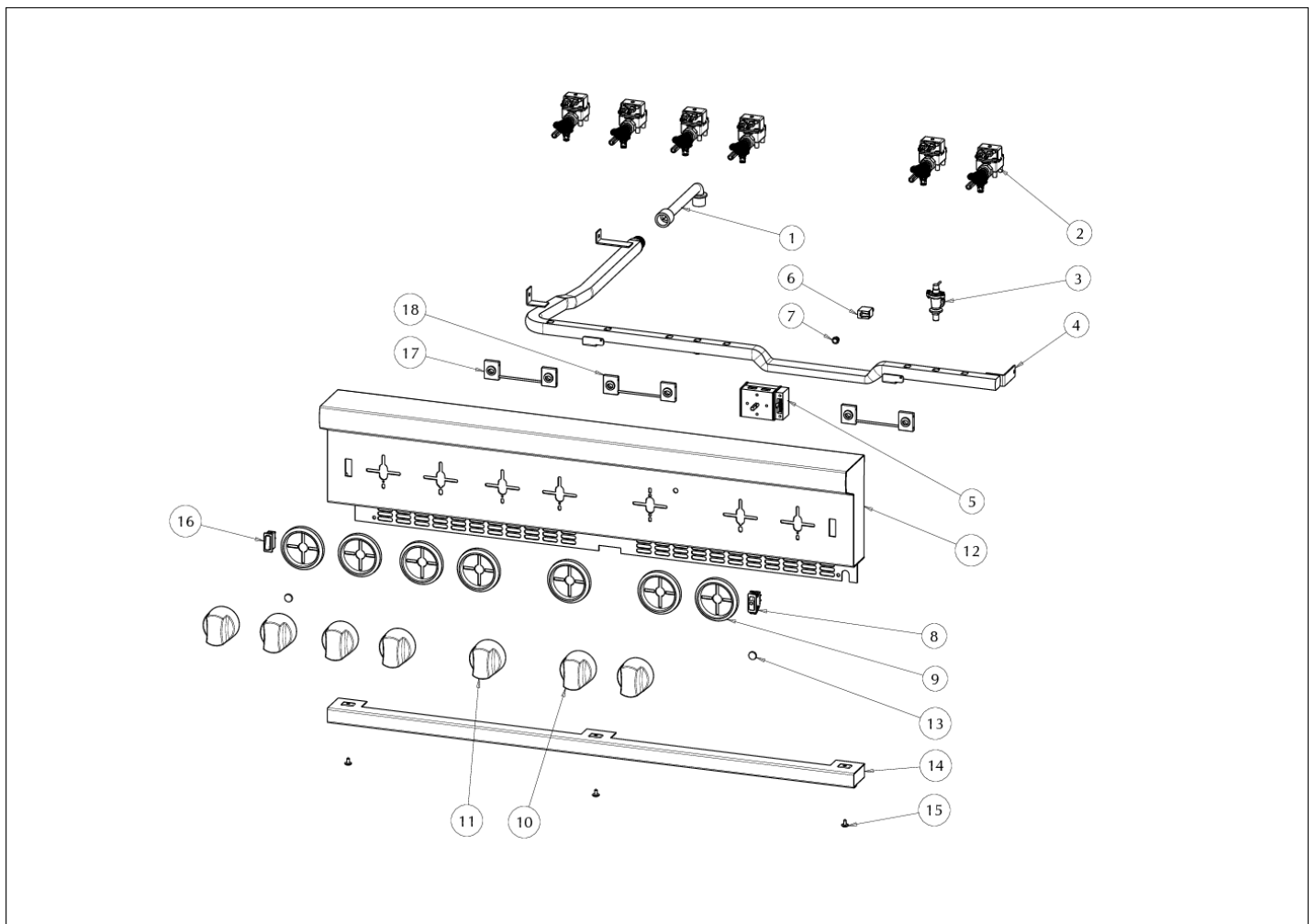


Item	Part No.	Name	Qty	Uom	NOTES
1	A2002595	CONVECTION FAN BOX (VDSC)	1	EA	
2	A2008467	INSULATION SHIELD	1	EA	
3	PD020060	10 X 1/2" (5/16)HEX WSHER HD.(T)A	52	EA	
4	PE050057	CONVECTION FAN (VGSC306)	1	EA	
4	027009-000	CONVECTION FAN MOTOR	1	EA	
	NOTE	AFTER 6/14/12		EA	
5	003860-000	10-18 x .500 FASTNR,SCR,HXWH,STL,ZPLT	19	EA	
6	007841-000	BACK INSULATION PANEL, 36"	1	EA	
7	PB040171	BROIL IGNITION ELECTRODE	1	EA	
8	007008-000	RTD PROBE	1	EA	
9	005263-000	BACK LINER 36"	1	EA	
10	E2004435	CONVECTION FAN BAFFLE (VGSC306)	2	EA	NO LONGER AVAILABLE, Not available online / Call for pricing and availability
11	A2001361	BACK SPACER (VGSC/VGSS)	2	EA	
12	PB070208	CONVECTION FAN INSULATION	1	EA	
13	A1002596	CONVECTION FAN COVER (VDSC)	1	EA	
14	E2005512	CONVECTION FAN COVER	1	EA	Not available online / Call for pricing and availability
15	E91012614	LIGHT HOLE COVER	2	EA	
16	PB060030	RACK SUPT REPL PB060010	2	EA	
17	068458-000	ASM, BOTTOM, CAVITY, OVEN, GAS 36" GRAY	1	EA	
	NOTE	(BEFORE 12/20/12)			
17	066210-000	ASM, BOTTOM, CABITY, OVEN, GAS, 36"	1	EA	
	NOTE	(ON OR AFTER 12/20/12)			
18	PD020067	#6 X 3/8" PAN PHIL. TEK *SS*	2	EA	
19	005264-000	BOTTOM LINER, 36"	1	EA	
20	E2004433	OVEN BOTTOM BRACE (VGSC306)	2	EA	NOT FIELD REPLACEABLE

Item	Part No.	Name	Qty	Uom	NOTES
21	A2005525	OVEN BOTTOM HEAT SHIELD	1	EA	
	NOTE	(COMES WITH ITEM 17)		EA	
22	PD020084	6-32 X 1/4 PAN PHIL TYPE F *SS*	12	EA	
	NOTE	(COMES WITH ITEM 17)		EA	
23	005259-000	OVEN, CAVITY, ASM, BOTTOM	1	EA	
24	008191-000	OVEN BURNER ASSY	1	EA	
25	006050-000	BRACKET, FR, FRONT	3	EA	
26	031679-000	RECEPTACLE, HINGE	2	EA	
27	E2109638	BRACKET, HINGE RECPT RH	1	EA	NOT FIELD REPLACEABLE, Not available online / Call for pricing and availability
28	007259-000	SHIM - NLA	2	EA	
29	005536-000	TRIM	2	EA	
30	007278-000	ARM HINGE CLIP	2	EA	
	NOTE	(BEFORE 01/02/13)			
30	049718-402	CLIP, RETAINER, HINGE, GLOSS BLACK ENAMEL	2	EA	
	NOTE	(AFTER 01/02/13)			
31	PD020232	#8 X 3/4" PH PAN HEAD TEK SCREW (BLACK OXIDE)	2	EA	
32	007844-000	FRONT FRAME, 36"	1	EA	
33	E21012644	BRACKET, HINGE RECPT LH	1	EA	Not available online / Call for pricing and availability
34	A2004428	REAR BOTTOM BRCKT (VGSC306)	1	EA	
35	068653-601	LIGHT, 120V/25W, G9, HALOGEN, SIDE	2	EA	
36	E30014476	36" VGSC OVEN CAVITY	1	EA	Not available online / Call for pricing and availability
37	B2002261	FRONT I/R BROILER SUPPORT	1	EA	
38	B2005589	REAR BROILER BRACKET	1	EA	Not available online / Call for pricing and availability

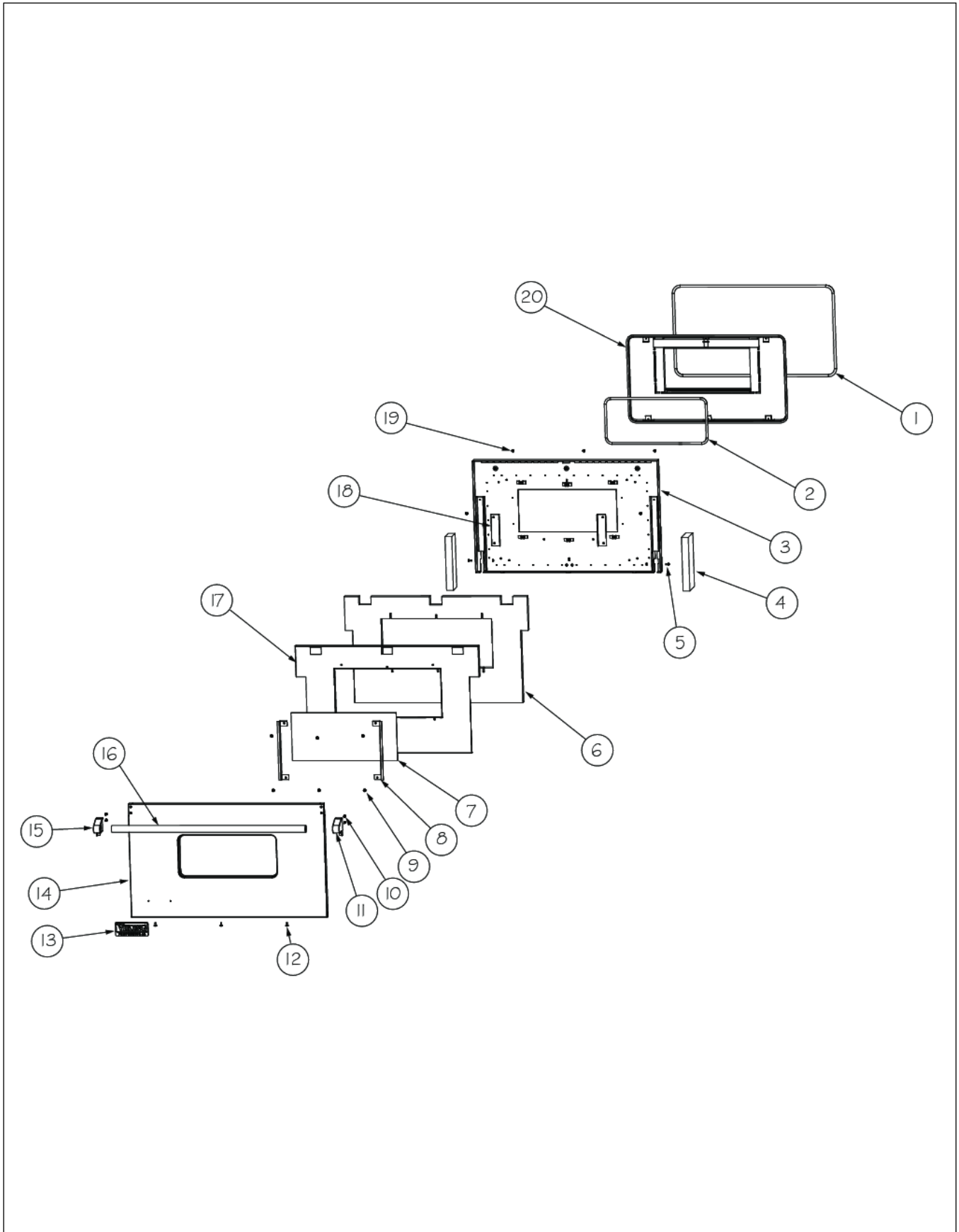
Item	Part No.	Name	Qty	Uom	NOTES
39	085109-000	IR BROIL BURNER KIT	1	EA	
40	006192-000	VENT, ASM, OVEN ASSEMBLY	2	EA	
41	040865-000	RACK, PRO, 36"	3	EA	
	NOTE	(BEFORE 12/20/12)			
41	040865-000	RACK, PRO, 36"	1	EA	
	NOTE	(ON OR AFTER 12/20/12)			
NI	040349-000	RACK, GLDE, 36", PRO ASSY	2	EA	
	NOTE	(ON OR AFTER 12/20/12)			
NI	E9107933	BROILER PAN	1	EA	NO LONGER AVAILABLE
NI	E9107934	BROILER PAN INSERT - NLA	1	EA	
NI	PD030018	PALNUT - 3/4-16	1	EA	
NI	PB040170	BAKE IGNITION ELECTRODE	1	EA	
NI	018022-000	CAPSULE LAMP G9 25W 230V	2	EA	

CONTROL AREA



Item	Part No.	Name	Qty	Uom	NOTES
1	018031-000	GAS TUBE 174MM	1	EA	
NI	018627-000	COUPLING, 1/2" NPT/14 TPI	1	EA	
NI	018631-000	NIPPLE 5"	1	EA	
NI	PD040106	1/2" NPT-BSP ADAPTER	1	EA	
2	018605-000	VALVE & SOLENOID ASM	6	EA	
3	007147-000	SHUT OFF VALVE	1	EA	
4	012265-000	MANIFOLD, GAS VGCC/SC536-6B/4Q	1	EA	
5	051428-000	ELECTRONIC THERMOSTAT	1	EA	
	NOTE	(BEFORE 3/12/16)		EA	
5	056034-000	TSTAT, SMPS, ELEC, 2-POS	1	EA	
	NOTE	(ON OR AFTER 3/12/16)		EA	
6	PE050024	OVEN IND. LIGHT (LIGHT HOUSING)	1	EA	
7	PE050023	OVEN IND. LIGHT (LENS & BEZEL)	2	EA	NO LONGER AVAILABLE
8	006355-000	SWITCH, RKR, BLK, CONVECTION, LIGHTED, VGCC	1	EA	
9	050172-000	BEZEL, KNOB	7	EA	
10	005269-000	RANGE TOP BURNER KNOB-BRUSHED, SSS	6	EA	NO LONGER AVAILABLE
11	013053-000	THERMOSTAT KNOB EVGCC *SS*	1	EA	
12	050102-2107	PNL, CTRL, ASM, VGCC5366B, W/GRAPHICS	1	EA	
13	PD040004	GROMMET BUMPER	2	EA	
14	011637-000	TRIM, ASM	1	EA	
15	PD020032	SRW-8(A)X3/8"PH.WFR HD 7/16DIA*NICL	3	EA	
16	003719-000	OVEN LIGHT SWITCH, BLACK	1	EA	
17	018018-000	CE WIRE HARNESS -1	1	EA	NO LONGER AVAILABLE
18	018019-000	CE WIRE HARNESS -2	2	EA	NO LONGER AVAILABLE
NI	PD010012	VALVE BOLT 1/4-20 UNC-2B 5/16" M.S.	8	EA	
NI	002884-000	MANIFOLD PLUG	1	EA	

DOOR ASSEMBLY

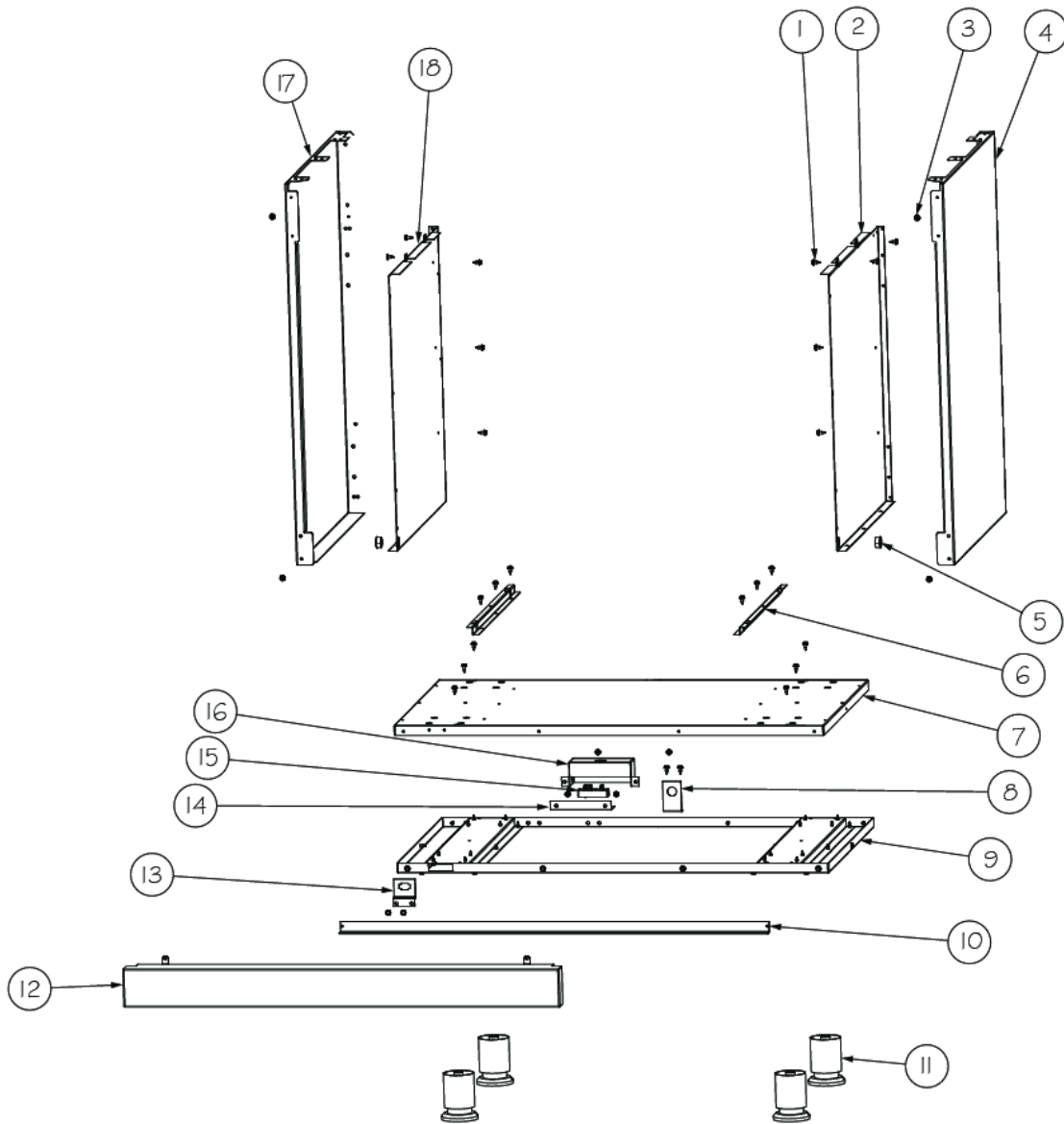


Item	Part No.	Name	Qty	Uom	NOTES
1	000090-000	36" DOOR GASKET	1	EA	
2	000594-000	BLACK FIBERGLASS ROPE	1	EA	
3	008154-000	36" DOOR LINER WELD ASM	1	EA	NO LONGER AVAILABLE
4	013290-000	HINGE, DOOR, VGCC36" - PINK SPRING	2	EA	
5	PD010003	10-24 X 1/2 PH.TR.HD.SERD.M.S.	2	EA	
6	007854-000	DOOR LINER INSULATION	1	EA	
7	PE060030	GLASS-OUTER DOOR BK SCREENED, TEMP	1	EA	
8	007583-000	BRACKET, GLASS	1	EA	
9	PD020014	10X3/4 PH TR HD SMS	6	EA	
10	030823-000	#10-32 PAN HEAD PHILLIPS MACHINE SCREW	4	EA	
11	003012-000	DOOR HANDLE ENDCAP ASSY, RH (CHROME)	1	EA	
11	003012-100	DOOR HANDLE ENDCAP ASSY, RH (BRASS) - NLA	1	EA	
12	PD020033	SRW-#10-24X1/2"T(23)PH.WFR HD (NKL)	3	EA	
13	PE010030	LOGO 6" (VGRC) *BK*	1	EA	
13	PE010068	6" LOGO (VIKING/PROF) BK/BR	1	EA	
14	074321-000	PANEL, DOOR, ASM, OTR - SS		EA	
14	074329-002	PANEL, DOOR, ASM, OTR - BK	1	EA	
14	074329-005	PANEL, DOOR, ASM, OTR - GG	1	EA	
14	074329-006	PANEL, DOOR, ASM, OTR - WH	1	EA	
14	074329-008	PANEL, DOOR, ASM, OTR - BU	1	EA	
14	074329-013	PANEL, DOOR, ASM, OTR - CB	1	EA	
14	074329-024	PANEL, DOOR, ASM, OTR - AR	1	EA	
15	003011-000	DOOR HANDLE ENDCAP ASSY, LH (CHROME)	1	EA	
15	003011-100	DOOR HANDLE ENDCAP ASSY, LH (BRASS)	1	EA	
16	006080-000	36" DOOR HANDLE, 35.5	1	EA	
17	007883-000	RETAINER LINER, 36"	1	EA	
18	A2002189	DOOR GLASS STANDOFF (VDSC)	2	EA	

Item	Part No.	Name	Qty	Uom	NOTES
19	PD020063	SCREW-#8(A) X 3/8"PH WFR HD/BK OXID	4	EA	
20	008185-000	36" DOOR PLUG ASM	1	EA	
NI	011524-002	COMPLETE DOOR ASM - BK	1	EA	Not available online / Call for pricing and availability
NI	011524-003	COMPLETE DOOR ASM - BT	1	EA	
NI	011524-004	COMPLETE DOOR ASM - SG	1	EA	NO LONGER AVAILABLE
NI	011524-005	COMPLETE DOOR ASM - GG	1	EA	
NI	011524-006	COMPLETE DOOR ASM - WH	1	EA	
NI	011524-008	COMPLETE DOOR ASM - BU	1	EA	
NI	011524-009	COMPLETE DOOR ASM - LE	1	EA	
NI	011524-010	COMPLETE DOOR ASM - MJ	1	EA	
NI	011524-012	COMPLETE DOOR ASM - VB	1	EA	
NI	011524-013	COMPLETE DOOR ASM - CB	1	EA	
NI	011524-015	COMPLETE DOOR ASM - PL	1	EA	
NI	011524-016	COMPLETE DOOR ASM - CH	1	EA	
NI	011524-017	COMPLETE DOOR ASM - TP	1	EA	
NI	011524-018	COMPLETE DOOR ASM - CW NLA	1	EA	
NI	011524-021	COMPLETE DOOR ASM - SA	1	EA	Not available online / Call for pricing and availability
NI	011524-022	COMPLETE DOOR ASM - SE	1	EA	
NI	011524-023	COMPLETE DOOR ASM - IB	1	EA	
NI	011524-024	COMPLETE DOOR ASM - AR	1	EA	
NI	011524-025	COMPLETE DOOR ASM - RR	1	EA	
NI	008164-000	VGCC DOOR ASSY, 36"	1	EA	NO LONGER AVAILABLE
NI	008164-100	DOOR ASSY, 36" SS/BR - NLA	1	EA	
NI	011524-102	DOOR ASSY, BK/BR	1	EA	
NI	011524-103	DOOR ASSY, BT/BR	1	EA	
NI	011524-104	DOOR ASSY, SG/BR	1	EA	
NI	011524-105	DOOR ASSY, GG/BR	1	EA	

Item	Part No.	Name	Qty	Uom	NOTES
NI	011524-106	DOOR ASSY, WH/BR	1	EA	
NI	011524-108	DOOR ASSY, BU/BR	1	EA	
NI	011524-109	DOOR ASSY, LE/BR	1	EA	
NI	011524-110	DOOR ASSY, MJ/BR	1	EA	
NI	011524-112	DOOR ASSY, VB/BR	1	EA	
NI	011524-113	DOOR ASSY, CB/BR	1	EA	
NI	011524-115	DOOR ASSY, PL/BR	1	EA	
NI	011524-116	DOOR ASSY, CH/BR	1	EA	
NI	011524-117	DOOR ASSY, TP/BR	1	EA	
NI	011524-118	DOOR ASSY, CW/BR	1	EA	
NI	011524-121	DOOR ASSY, SA/BR	1	EA	
NI	011524-122	DOOR ASSY, SE/BR	1	EA	
NI	011524-123	DOOR ASSY, IB/BR	1	EA	
NI	011524-124	DOOR ASSY, AR/BR	1	EA	
NI	011524-125	DOOR ASSY, RR/BR	1	EA	
NI	PD03006	CAPPED WASHER PAL NUT	2	EA	Not available online / Call for pricing and availability
NI	004907-000	STEEL FINISHING PLUG, NICKEL PLTD 25/64" HOLE	4	EA	

LOWER UNIT AND SIDE PANEL



Item	Part No.	Name	Qty	Uom	NOTES
1	003860-000	10-18 x .500 FASTNR,SCR,HXWH,STL,ZPLT	29	EA	
2	004479-000	INSULATION, PNL, SIDE, RH	1	EA	
3	003801-000	SHOULDER SCREW, #10	4	EA	
4	002905-000	SIDE PANEL, RH, SST	1	EA	
	NOTE	(BEFORE 04/29/13)		EA	
4	042666-000	COVER, OS, RH	1	EA	
	NOTE	(BETWEEN 04/29/13 - 02/15/16)		EA	
4	056873-000	PANEL, SIDE, RH	1	EA	
	NOTE	(ON OR AFTER 02/15/16)		EA	
4	004645-002	SIDE PANEL, RH ASSY, PAINTED BK	1	EA	
	NOTE	(BEFORE 06/03/13)		EA	
4	042679-002	COVER, OS, RH BK	1	EA	
	NOTE	(BETWEEN 06/03/13 - 02/15/16)		EA	
4	004645-003	SIDE PANEL, RH ASSY, PAINTED BT	1	EA	
	NOTE	(BEFORE 06/03/13)		EA	
4	042679-003	COVER, OS, RH BT	1	EA	
	NOTE	(BETWEEN 06/03/13 - 02/15/16)		EA	
4	004645-004	SIDE PANEL, RH ASSY, PAINTED SG	1	EA	
	NOTE	(BEFORE 06/03/13)		EA	
4	042679-004	COVER, OS, RH SG	1	EA	
	NOTE	(BETWEEN 06/03/13 - 02/15/16)		EA	
4	004645-005	SIDE PANEL, RH ASSY, PAINTED GG	1	EA	
	NOTE	(BEFORE 06/03/13)		EA	
4	042679-005	COVER, OS, RH GG	1	EA	
	NOTE	(BETWEEN 06/03/13 - 02/15/16)		EA	
4	004645-006	SIDE PANEL, RH ASSY, PAINTED WH	1	EA	
	NOTE	(BEFORE 06/03/13)		EA	
4	042679-006	COVER, OS, RH WH	1	EA	
	NOTE	(BETWEEN 06/03/13 - 02/15/16)		EA	

Item	Part No.	Name	Qty	Uom	NOTES
4	004645-008	SIDE PANEL, RH ASSY, PAINTED BU	1	EA	
	NOTE	(BEFORE 06/03/13)		EA	
4	042679-008	COVER, OS, RH BU	1	EA	
	NOTE	(BETWEEN 06/03/13 - 02/15/16)		EA	
4	004645-009	SIDE PANEL, RH ASSY, PAINTED LE	1	EA	
	NOTE	(BEFORE 06/03/13)		EA	
4	042679-009	COVER, OS, RH LE	1	EA	
	NOTE	(BETWEEN 06/03/13 - 02/15/16)		EA	
4	004645-010	SIDE PANEL, RH ASSY, PAINTED MJ	1	EA	
	NOTE	(BEFORE 06/03/13)		EA	
4	042679-010	COVER, OS, RH MJ	1	EA	
	NOTE	(BETWEEN 06/03/13 - 02/15/16)		EA	
4	004645-012	SIDE PANEL, RH ASSY, PAINTED VB	1	EA	
	NOTE	(BEFORE 06/03/13)		EA	
4	042679-012	COVER, OS, RH VB	1	EA	
	NOTE	(BETWEEN 06/03/13 - 02/15/16)		EA	
4	004645-013	SIDE PANEL, RH ASSY, PAINTED CB	1	EA	
	NOTE	(BEFORE 06/03/13)		EA	
4	042679-013	COVER, OS, RH CB	1	EA	
	NOTE	(BETWEEN 06/03/13 - 02/15/16)		EA	
4	004645-015	SIDE PANEL, RH ASSY, PAINTED PL	1	EA	
	NOTE	(BEFORE 06/03/13)		EA	
4	042679-015	COVER, OS, RH PL	1	EA	
	NOTE	(BETWEEN 06/03/13 - 02/15/16)		EA	
4	004645-016	SIDE PANEL, RH ASSY, PAINTED CH	1	EA	
	NOTE	(BEFORE 06/03/13)		EA	
4	042679-016	COVER, OS, RH CH	1	EA	
	NOTE	(BETWEEN 06/03/13 - 02/15/16)		EA	

Item	Part No.	Name	Qty	Uom	NOTES
4	004645-017	SIDE PANEL, RH ASSY, PAINTED TP	1	EA	
	NOTE	(BEFORE 06/03/13)		EA	
4	042679-017	COVER, OS, RH TP	1	EA	
	NOTE	(BETWEEN 06/03/13 - 02/15/16)		EA	
4	004645-018	SIDE PANEL, RH ASSY, PAINTED CW	1	EA	
	NOTE	(BEFORE 06/03/13)		EA	
4	042679-017	COVER, OS, RH TP	1	EA	
	NOTE	(BETWEEN 06/03/13 - 02/15/16)		EA	
4	004645-019	SIDE PANEL, RH ASSY, PAINTED OG	1	EA	
	NOTE	(BEFORE 06/03/13)		EA	
4	042679-019	COVER, OS, RH OG	1	EA	
	NOTE	(BETWEEN 06/03/13 - 02/15/16)		EA	
4	004645-020	SIDE PANEL, RH ASSY, PAINTED GM	1	EA	
	NOTE	(BEFORE 06/03/13)		EA	
4	042679-020	COVER, OS, RH GM	1	EA	
	NOTE	(BETWEEN 06/03/13 - 02/15/16)		EA	
4	004645-021	SIDE PANEL, RH ASSY, PAINTED SA	1	EA	
	NOTE	(BEFORE 06/03/13)		EA	
4	042679-021	COVER, OS, RH SA	1	EA	
	NOTE	(BETWEEN 06/03/13 - 02/15/16)		EA	
4	004645-022	SIDE PANEL, RH ASSY, PAINTED SE	1	EA	
	NOTE	(BEFORE 06/03/13)		EA	
4	042679-022	COVER, OS, RH SE	1	EA	
	NOTE	(BETWEEN 06/03/13 - 02/15/16)		EA	
4	004645-023	SIDE PANEL, RH ASSY, PAINTED IB	1	EA	
	NOTE	(BEFORE 06/03/13)		EA	
4	042679-023	COVER, OS, RG IB	1	EA	
	NOTE	(BETWEEN 06/03/13 - 02/15/16)		EA	

Item	Part No.	Name	Qty	Uom	NOTES
4	004645-024	SIDE PANEL, RH ASSY, PAINTED AR	1	EA	
	NOTE	(BEFORE 06/03/13)		EA	
4	042679-024	COVER, OS, RH AR	1	EA	
	NOTE	(BETWEEN 06/03/13 - 02/15/16)		EA	
4	004645-025	SIDE PANEL, RH ASSY, PAINTED RR	1	EA	
	NOTE	(BEFORE 06/03/13)		EA	
4	042679-025	COVER, OS, RH RR	1	EA	
	NOTE	(BETWEEN 06/03/13 - 02/15/16)		EA	
4	004645-026	SIDE PANEL, RH ASSY, PAINTED PM	1	EA	
	NOTE	(BEFORE 06/03/13)		EA	
4	042679-026	COVER, OS, RH PM	1	EA	
	NOTE	(BETWEEN 06/03/13 - 02/15/16)		EA	
4	004645-027	SIDE PANEL, RH ASSY, PAINTED MS	1	EA	
	NOTE	(BEFORE 06/03/13)		EA	
4	042679-027	COVER, OS, RH MS	1	EA	
	NOTE	(BETWEEN 06/03/13 - 02/15/16)		EA	
5	PD040005	SNAP BUSHING - 7/8"	2	EA	
6	A2004429	OVEN BOTTOM INSUL. BRACE (VGSC306)	2	EA	
7	007816-000	VGCC/SC 536 BASE, UPPER	1	EA	Not available online / Call for pricing and availability
8	005529-000	BAKE ORIFICE MOUNTING BRACKET	1	EA	
9	007817-000	VGCC/SC BASE ASSEMBLY, 36"	1	EA	
10	008345-000	BOTTOM SUPPORT, 36"	1	EA	
11	044178-000	RANGE, LEG, ADJUSTABLE	4	EA	
12	007851-000	VGCC/SC 536 KICKPLATE SS	1	EA	NO LONGER AVAILABLE
	NOTE	(BEFORE 06/14/12)			
12	035958-000	KICKPLATE,36:á	1	EA	
	NOTE	(FROM 06/14/12 THRU 04/05/13)		EA	

Item	Part No.	Name	Qty	Uom	NOTES
12	042287-000	KICKPLATE, GAS & DUAL FUEL, 36"	1	EA	
	NOTE	(ON OR AFTER 04/05/13)			
12	011522-002	VGCC/SC 536 KICKPLATE - BK	1	EA	
	NOTE	(BEFORE 04/05/13)			
12	042323-002	KICKPLATE, GAS & DUAL FUEL, 36" BK	1	EA	
	NOTE	(ON OR AFTER 04/05/13)			
12	011522-003	VGCC/SC 536 KICKPLATE - BT	1	EA	Not available online / Call for pricing and availability
	NOTE	(BEFORE 04/05/13)			
12	042323-003	KICKPLATE 36" BT	1	EA	
	NOTE	(ON OR AFTER 04/05/13)			
12	011522-004	VGCC/SC 536 KICKPLATE - SG	1	EA	
	NOTE	(BEFORE 04/05/13)			
12	042323-004	KICKPLATE 36 SG	1	EA	Not available online / Call for pricing and availability
	NOTE	(ON OR AFTER 04/05/13)			
12	011522-005	VGCC/SC 536 KICKPLATE - GG	1	EA	
	NOTE	(BEFORE 04/05/13)			
12	042323-005	KICKPLATE, GAS & DUAL FUEL, 36" GG	1	EA	
	NOTE	(ON OR AFTER 04/05/13)			
12	011522-006	VGCC/SC 536 KICKPLATE - WH	1	EA	
	NOTE	(BEFORE 04/05/13)			
12	042323-006	KICKPLATE, GAS & DUAL FUEL, 36" WH	1	EA	
	NOTE	(ON OR AFTER 04/05/13)			
12	011522-008	VGCC/SC 536 KICKPLATE - BU	1	EA	
	NOTE	(BEFORE 04/05/13)			
12	042323-008	KICKPLATE, GAS & DUAL FUEL, 36" BU	1	EA	
	NOTE	(ON OR AFTER 04/05/13)			
12	011522-009	VGCC/SC 536 KICKPLATE - LE	1	EA	

Item	Part No.	Name	Qty	Uom	NOTES
	NOTE	(BEFORE 04/05/13)			
12	042323-009	KICKPLATE 36" LE	1	EA	
	NOTE	(ON OR AFTER 04/05/13)			
12	011522-010	VGCC/SC 536 KICKPLATE -MJ	1	EA	
	NOTE	(BEFORE 04/05/13)			
12	042323-010	KICKPLATE 36" MJ	1	EA	
	NOTE	(ON OR AFTER 04/05/13)			
12	011522-012	VGCC/SC 536 KICKPLATE - VB	1	EA	Not available online / Call for pricing and availability
	NOTE	(BEFORE 04/05/13)			
12	042323-012	KICKPLATE 36 VB	1	EA	Not available online / Call for pricing and availability
	NOTE	(ON OR AFTER 04/05/13)			
12	011522-013	VGCC/SC 536 KICKPLATE - CB	1	EA	
	NOTE	(BEFORE 04/05/13)			
12	042323-012	KICKPLATE 36 VB	1	EA	Not available online / Call for pricing and availability
	NOTE	(ON OR AFTER 04/05/13)			
12	011522-015	VGCC/SC 536 KICKPLATE - PL	1	EA	
	NOTE	(BEFORE 04/05/13)			
12	042323-015	KICKPLATE 36" PL	1	EA	
	NOTE	(ON OR AFTER 04/05/13)			
12	011522-016	VGCC/SC 536 KICKPLATE - CH	1	EA	
	NOTE	(BEFORE 04/05/13)			
12	042323-016	KICKPLATE 36" CH	1	EA	
	NOTE	(ON OR AFTER 04/05/13)			
12	011522-017	VGCC/SC 536 KICKPLATE - TP	1	EA	
	NOTE	(BEFORE 04/05/13)			
12	042323-017	KICKPLATE 36" TP	1	EA	
	NOTE	(ON OR AFTER 04/05/13)			

Item	Part No.	Name	Qty	Uom	NOTES
12	011522-018	VGCC/SC 536 KICKPLATE - CW NLA	1	EA	
	NOTE	(BEFORE 04/05/13)			
12	042323-018	KICKPLATE 36" CW	1	EA	
	NOTE	(ON OR AFTER 04/05/13)			
12	011522-019	VGCC/SC 536 KICKPLATE - OG	1	EA	
	NOTE	(BEFORE 04/05/13)			
12	042323-019	KICKPLATE 36" OG	1	EA	
	NOTE	(ON OR AFTER 04/05/13)			
12	011522-020	VGCC/SC 536 KICKPLATE - GM	1	EA	
	NOTE	(BEFORE 04/05/13)			
12	042323-020	KICKPLATE 36" GM	1	EA	
	NOTE	(ON OR AFTER 04/05/13)			
12	011522-021	VGCC/SC 536 KICKPLATE - SA	1	EA	
	NOTE	(BEFORE 04/05/13)			
12	042323-021	KICKPLATE 36" SA	1	EA	
	NOTE	(ON OR AFTER 04/05/13)			
12	011522-022	VGCC/SC 536 KICKPLATE - SE	1	EA	
	NOTE	(BEFORE 04/05/13)			
12	042323-022	KICKPLATE 36" SE	1	EA	
	NOTE	(ON OR AFTER 04/05/13)			
12	011522-023	VGCC/SC 536 KICKPLATE - IB	1	EA	
	NOTE	(BEFORE 04/05/13)			
12	042323-023	KICKPLATE 36" IB	1	EA	
	NOTE	(ON OR AFTER 04/05/13)			
12	011522-024	VGCC/SC 536 KICKPLATE - AR	1	EA	
	NOTE	(BEFORE 04/05/13)			
12	042323-024	KICKPLATE, GAS & DUAL FUEL, 36" AR	1	EA	
	NOTE	(ON OR AFTER 04/05/13)			
12	011522-025	VGCC/SC 536 KICKPLATE - RR	1	EA	
	NOTE	(BEFORE 04/05/13)			
12	042323-024	KICKPLATE, GAS & DUAL FUEL, 36" AR	1	EA	

Item	Part No.	Name	Qty	Uom	NOTES
	NOTE	(ON OR AFTER 04/05/13)			
12	011522-026	VGCC/SC 536 KICKPLATE - PM	1	EA	
	NOTE	(BEFORE 04/05/13)			
12	042323-026	KICKPLATE 36" PM	1	EA	
	NOTE	(ON OR AFTER 04/05/13)			
12	011522-051	VGCC/SC 536 KICKPLATE-CN	1	EA	
	NOTE	(BEFORE 04/05/13)			
12	042323-051	KICKPLATE 36 CN	1	EA	Not available online / Call for pricing and availability
	NOTE	(ON OR AFTER 04/05/13)			
12	011522-052	VGCC/SC 536 KICKPLATE-DJ	1	EA	Not available online / Call for pricing and availability
	NOTE	(BEFORE 04/05/13)			
12	042323-052	KICKPLATE 36 DJ	1	EA	Not available online / Call for pricing and availability
	NOTE	(ON OR AFTER 04/05/13)			
12	011522-053	VGCC/SC 536 KICKPLATE-KB	1	EA	
	NOTE	(BEFORE 04/05/13)			
12	042323-053	KICKPLATE 36" KB	1	EA	
	NOTE	(ON OR AFTER 04/05/13)			
12	011522-054	VGCC/SC 536 KICKPLATE-WS	1	EA	
	NOTE	(BEFORE 04/05/13)			
12	042323-054	KICKPLATE 36 WS	1	EA	Not available online / Call for pricing and availability
	NOTE	(ON OR AFTER 04/05/13)			
13	005280-000	DISCONNECT BRKT	1	EA	
14	007484-000	TERMINAL, BLOCK, BRACKET	1	EA	
15	PE050001	TERMINAL BOARD	1	EA	
16	006945-000	COVER, TERM, BLOCK	1	EA	
17	003588-000	SIDE PANEL, LH, SS	1	EA	

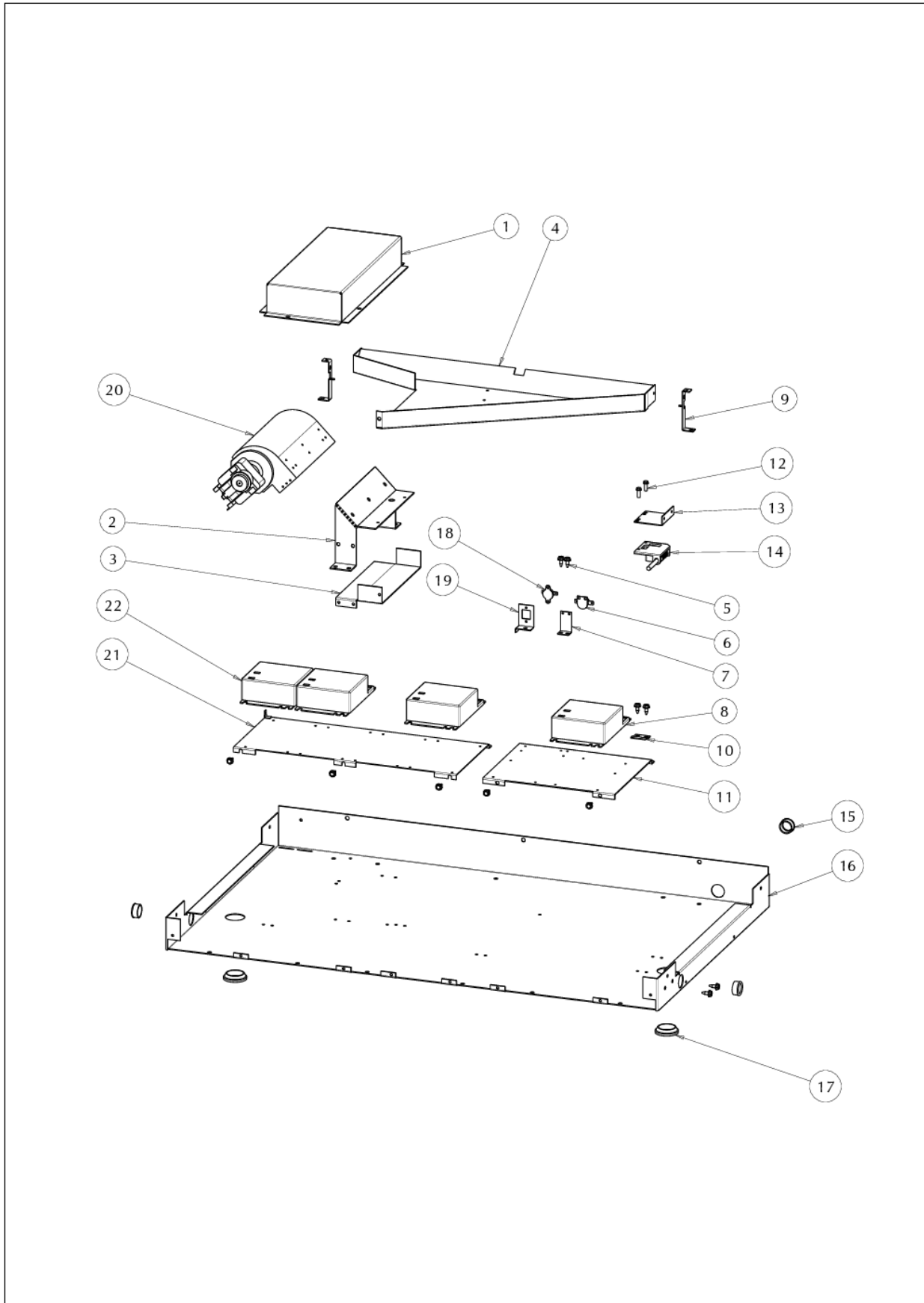
Item	Part No.	Name	Qty	Uom	NOTES
	NOTE	(BEFORE 04/29/13)		EA	
17	042648-000	COVER, OS, LH	1	EA	
	NOTE	(BETWEEN 04/29/13 - 02/15/16)		EA	
17	056872-000	PANEL, SIDE, LH	1	EA	
	NOTE	(ON OR AFTER 02/15/16)		EA	
17	005505-002	PANEL, SIDE, DECARB, LH, BK	1	EA	
	NOTE	(BEFORE 06/03/13)		EA	
17	042678-002	COVER, OS, LH BK	1	EA	
	NOTE	(BETWEEN 06/03/13 - 02/15/16)		EA	
17	005505-003	SIDE PANEL, LH ASSY, PAINTED BT	1	EA	
	NOTE	(BEFORE 06/03/13)		EA	
17	042678-003	COVER, OS, LH BT	1	EA	
	NOTE	(BETWEEN 06/03/13 - 02/15/16)		EA	
17	005505-004	SIDE PANEL, LH ASSY, PAINTED SG	1	EA	
	NOTE	(BEFORE 06/03/13)		EA	
17	042678-004	COVER, OS, LH SG	1	EA	
	NOTE	(BETWEEN 06/03/13 - 02/15/16)		EA	
17	005505-005	PANEL, SIDE, DECARB, LH, GG	1	EA	
	NOTE	(BEFORE 06/03/13)		EA	
17	042678-005	COVER, OS, LH GG	1	EA	
	NOTE	(BETWEEN 06/03/13 - 02/15/16)		EA	
17	005505-006	PANEL, SIDE, DECARB, LH, WH	1	EA	NO LONGER AVAILABLE
	NOTE	(BEFORE 06/03/13)		EA	
17	042678-006	COVER, OS, LH WH	1	EA	
	NOTE	(BETWEEN 06/03/13 - 02/15/16)		EA	
17	005505-008	PANEL, SIDE, DECARB, LH, BU	1	EA	
	NOTE	(BEFORE 06/03/13)		EA	
17	042678-008	COVER, OS, LH BU	1	EA	
	NOTE	(BETWEEN 06/03/13 - 02/15/16)		EA	
17	005505-009	SIDE PANEL, LH ASSY, PAINTED LE	1	EA	

Item	Part No.	Name	Qty	Uom	NOTES
	NOTE	(BEFORE 06/03/13)		EA	
17	042678-009	COVER, OS, LH LE	1	EA	
	NOTE	(BETWEEN 06/03/13 - 02/15/16)		EA	
17	005505-010	SIDE PANEL, LH ASSY, PAINTED MJ	1	EA	
	NOTE	(BEFORE 06/03/13)		EA	
17	042678-010	COVER, OS, LH MJ	1	EA	
	NOTE	(BETWEEN 06/03/13 - 02/15/16)		EA	
17	005505-012	SIDE PANEL, LH ASSY, PAINTED VB	1	EA	
	NOTE	(BEFORE 06/03/13)		EA	
17	042678-012	COVER, OS, LH VB	1	EA	
	NOTE	(BETWEEN 06/03/13 - 02/15/16)		EA	
17	005505-013	PANEL, SIDE, DEARB, LH, CB	1	EA	
	NOTE	(BEFORE 06/03/13)		EA	
17	042678-013	COVER, OS, LH EP	1	EA	
	NOTE	(BETWEEN 06/03/13 - 02/15/16)		EA	
17	005505-015	SIDE PANEL, LH ASSY, PAINTED PL	1	EA	
	NOTE	(BEFORE 06/03/13)		EA	
17	042678-015	COVER, OS, LH PL	1	EA	
	NOTE	(BETWEEN 06/03/13 - 02/15/16)		EA	
17	005505-016	SIDE PANEL, LH ASSY, PAINTED CH	1	EA	
	NOTE	(BEFORE 06/03/13)		EA	
17	042678-016	COVER, OS, LH CH	1	EA	
	NOTE	(BETWEEN 06/03/13 - 02/15/16)		EA	
17	005505-017	SIDE PANEL, LH ASSY, PAINTED TP	1	EA	
	NOTE	(BEFORE 06/03/13)		EA	
17	042678-017	COVER, OS, LH TP	1	EA	
	NOTE	(BETWEEN 06/03/13 - 02/15/16)		EA	
17	005505-018	SIDE PANEL, LH ASSY, PAINTED CW	1	EA	
	NOTE	(BEFORE 06/03/13)		EA	

Item	Part No.	Name	Qty	Uom	NOTES
17	042678-018	COVER, OS, LH CW	1	EA	
	NOTE	(BETWEEN 06/03/13 - 02/15/16)		EA	
17	005505-019	SIDE PANEL, LH ASSY, PAINTED OG	1	EA	
	NOTE	(BEFORE 06/03/13)		EA	
17	042678-019	COVER, OS, LH OG	1	EA	
	NOTE	(BETWEEN 06/03/13 - 02/15/16)		EA	
17	005505-020	SIDE PANEL, LH ASSY, PAINTED GM	1	EA	
	NOTE	(BEFORE 06/03/13)		EA	
17	042678-020	COVER, OS, LH GM	1	EA	
	NOTE	(BETWEEN 06/03/13 - 02/15/16)		EA	
17	005505-021	SIDE PANEL, LH ASSY, PAINTED SA	1	EA	
	NOTE	(BEFORE 06/03/13)		EA	
17	042678-021	COVER, OS, LH SA	1	EA	
	NOTE	(BETWEEN 06/03/13 - 02/15/16)		EA	
17	005505-022	SIDE PANEL, LH ASSY, PAINTED SE	1	EA	
	NOTE	(BEFORE 06/03/13)		EA	
17	042678-022	COVER, OS, LH SE	1	EA	
	NOTE	(BETWEEN 06/03/13 - 02/15/16)		EA	
17	005505-023	SIDE PANEL, LH ASSY, PAINTED IB	1	EA	
	NOTE	(BEFORE 06/03/13)		EA	
17	042678-023	COVER, OS, LH IB	1	EA	
	NOTE	(BETWEEN 06/03/13 - 02/15/16)		EA	
17	005505-024	PANEL, SIDE, DECARB, LH, AR	1	EA	
	NOTE	(BEFORE 06/03/13)		EA	
17	042678-024	COVER, OS, LH AR	1	EA	
	NOTE	(BETWEEN 06/03/13 - 02/15/16)		EA	
17	005505-025	SIDE PANEL, LH ASSY, PAINTED RR	1	EA	
	NOTE	(BEFORE 06/03/13)		EA	
17	042678-025	COVER, OS, LH RR	1	EA	

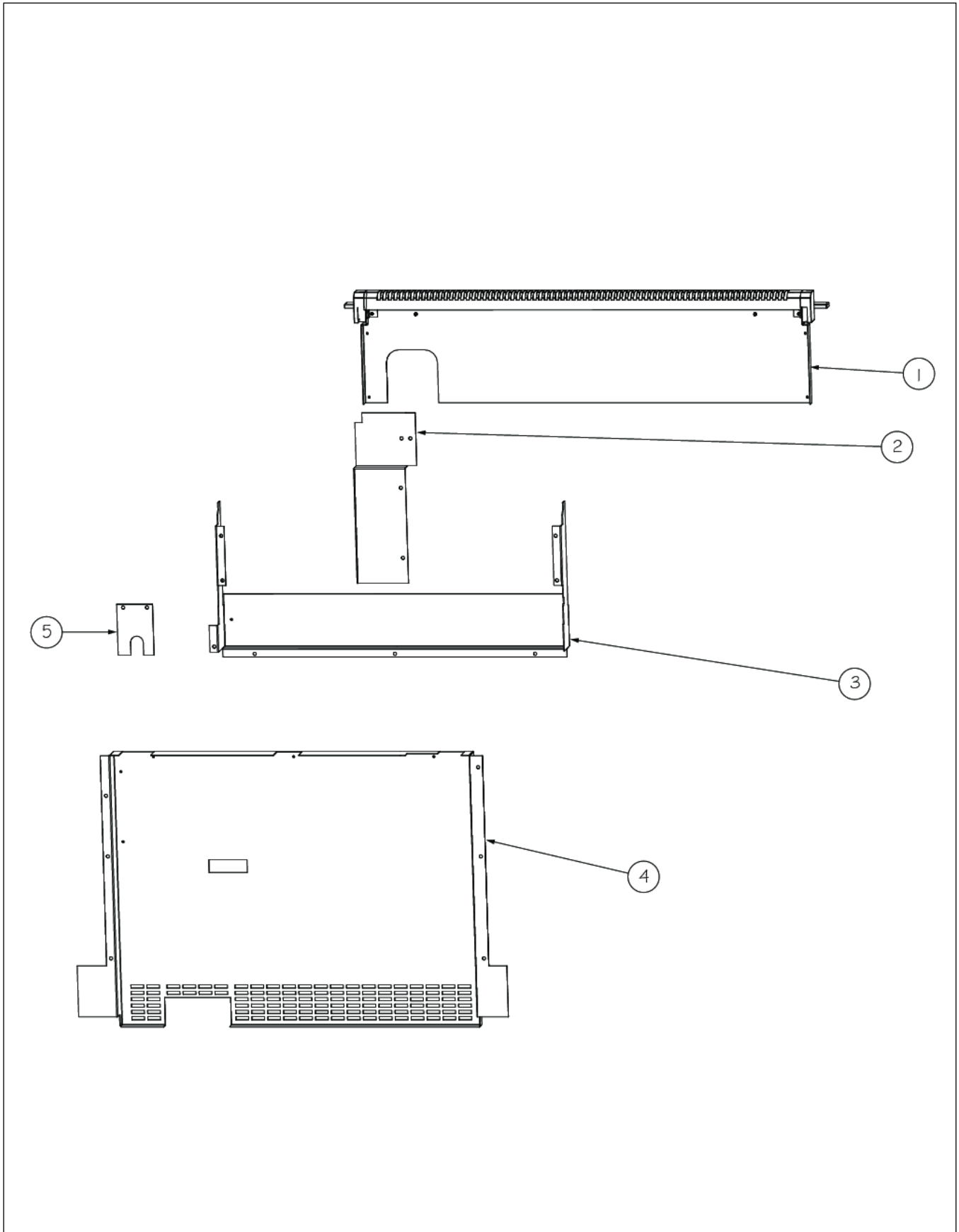
Item	Part No.	Name	Qty	Uom	NOTES
	NOTE	(BETWEEN 06/03/13 - 02/15/16)		EA	
17	005505-026	SIDE PANEL, LH ASSY, PAINTED PM	1	EA	
	NOTE	(BEFORE 06/03/13)		EA	
17	042678-026	COVER, OS, LH PM	1	EA	
	NOTE	(BETWEEN 06/03/13 - 02/15/16)		EA	
17	005505-027	SIDE PANEL, LH ASSY, PAINTED MS	1	EA	
	NOTE	(BEFORE 06/03/13)		EA	
17	042678-027	COVER, OS, LH MS	1	EA	
	NOTE	(BETWEEN 06/03/13 - 02/15/16)		EA	
18	004482-000	INSULATION, PNL, SIDE, LH	1	EA	
NI	PE070207	SUPPLY CORD (EUROPEAN)	1	EA	NO LONGER AVAILABLE, Not available online / Call for pricing and availability

OVEN ELECTRONICS



Item	Part No.	Name	Qty	Uom	NOTES
1	016471-000	36" FAN COVER	1	EA	Not available online / Call for pricing and availability
2	009307-000	36" MTG BRACKET	1	EA	
3	012569-000	BRACKET, LOWER FAN	1	EA	
4	012567-000	DUCT, FAN, 36"	1	EA	
5	003860-000	10-18 x .500 FASTNR,SCR,HXWH,STL,ZPLT	8	EA	
6	PJ030039	BI-METAL THERMOSTAT 275 DEGREES	1	EA	
7	007842-000	TOP CAP, 36"	1	EA	
8	068418-000	INTERNATIONAL DSI LONG PURGE KIT	2	EA	
9	009288-000	36" FAN BRACKET	2	EA	
10	008012-000	BOARD CLIP	1	EA	
11	012571-000	PLATE, CONTROL MTG	1	EA	
12	PD020060	10 X 1/2" (5/16)HEX WSHER HD.(T)A	2	EA	
13	A20012649	DOOR SWITCH BRACKET	1	EA	
14	PE050208	DOOR SWITCH	1	EA	
15	PD040152	BUSHING, SNAP, 1 1/4"	2	EA	
16	007842-000	TOP CAP, 36"	1	EA	
17	PB070079	SILICONE EXTRUSION (DGSU)	2	EA	
18	PJ030022	BI-METAL THERMOSTAT, 115 DEGREES (FAN SWITCH)	1	EA	
19	012438-000	SWITCH, LIM, BRKT	1	EA	
20	PE050250	Blower	1	EA	
21	018006-000	MOUNTING PLATE 4 DSI EVGCC	1	EA	
21	NA YET	MOUNTING PLATE 4 DSI EVGCC (NEW)	1	EA	
	NOTE	(AFTER 12/03/2010)		EA	
22	068417-000	INTERNATIONAL DSI SHORT PURGE KIT	3	EA	

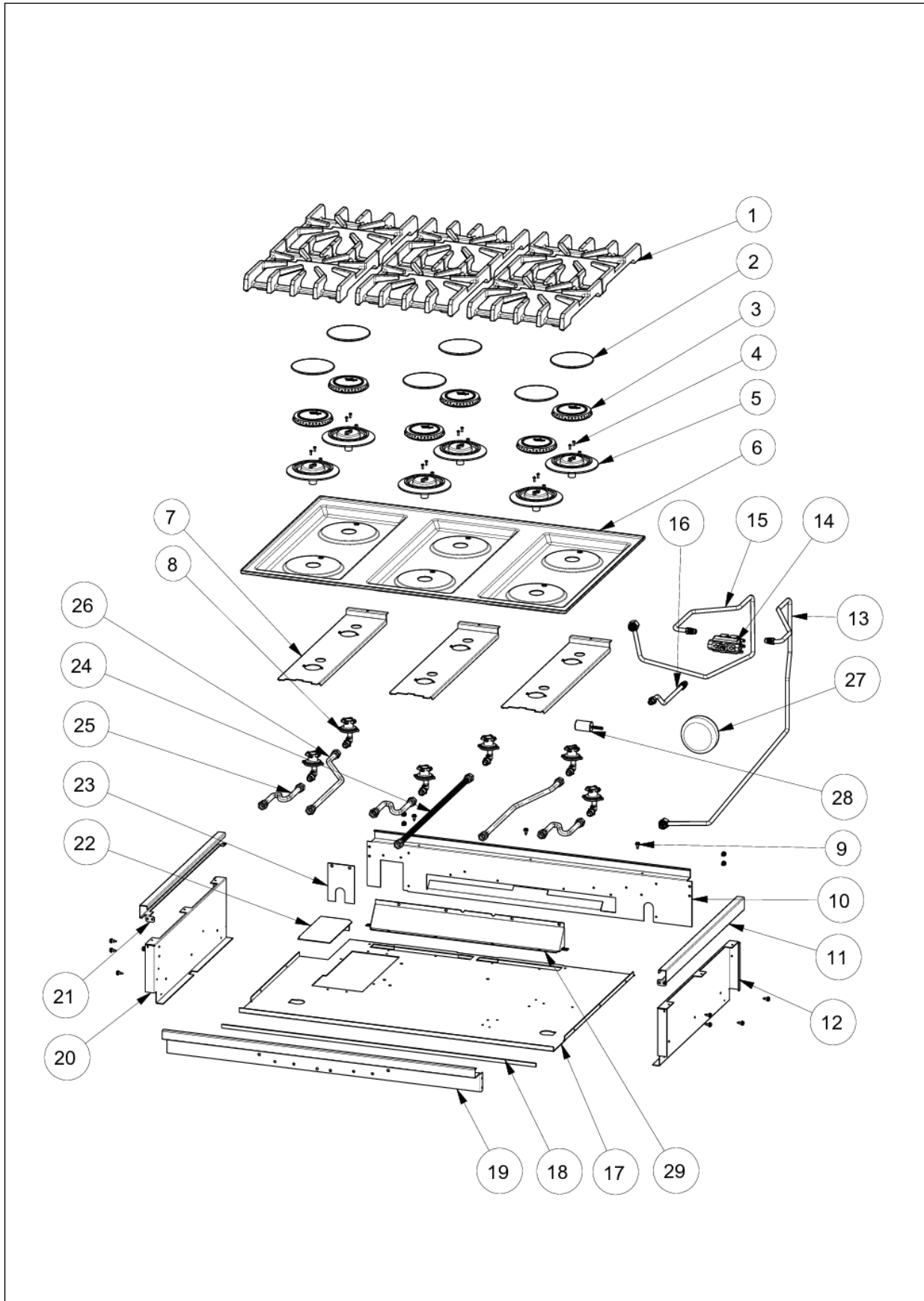
REAR SHEET METAL





Item	Part No.	Name	Qty	Uom	NOTES
1	041505-000	ISLAND TRIM, ASM, 36" CUSTOM	1	EA	
2	006962-000	COVER, INL, BACK	1	EA	
3	009089-000	BACK, TOP 36"	1	EA	
4	009091-000	BACK PANEL, 36"	1	EA	
5	006687-000	REGULATOR COVER PLATE	1	EA	

SURFACE COOKING AREA

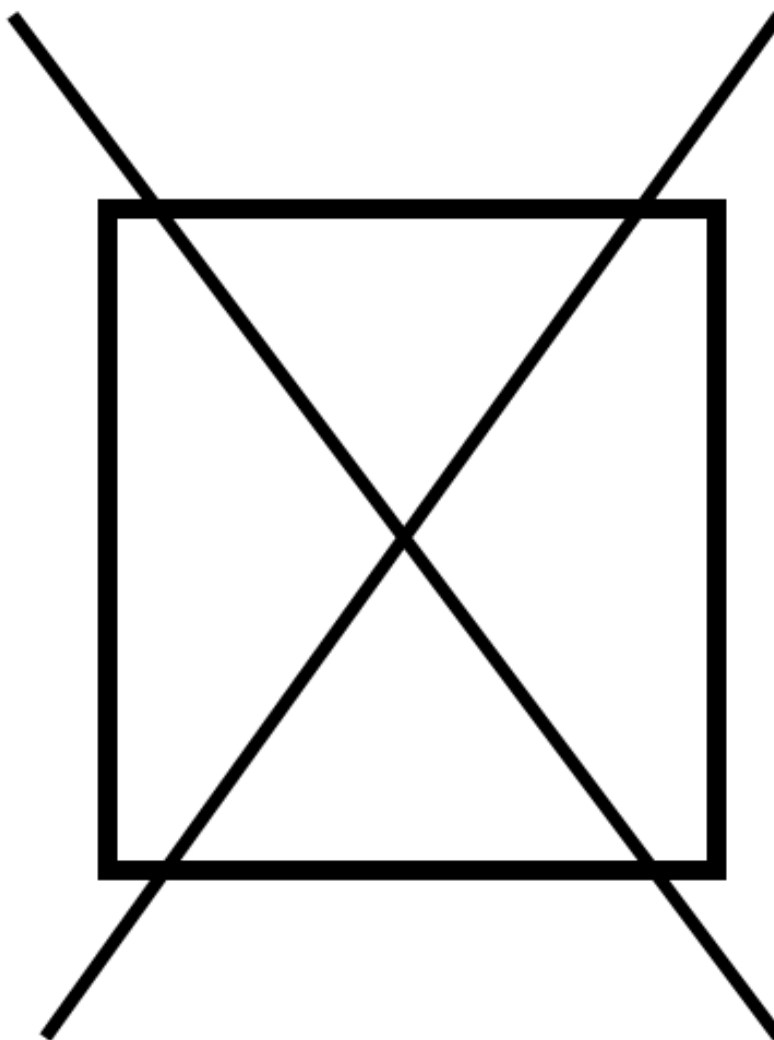


Item	Part No.	Name	Qty	Uom	NOTES
1	007323-000	BURNER GRATE	6	EA	
	NOTE	(BEFORE 11/21/14)			
1	049420-000	GRATE, BURNER, ASM	6	EA	
	NOTE	(ON OR AFTER 11/21/14)			
NI	074892-000	RUBBER FOOT	24	EA	
	NOTE	(BEFORE 11/21/14)			
NI	049416-000	BUMBER, GRATE	24	EA	
	NOTE	(ON OR AFTER 11/21/14)			
2	066958-000	D BURNER CAP *MATTE BLACK*	6	EA	
3	067033-000	HEAD, BURNER, SEALED	6	EA	
4	PD020076	6-32 X 3/8" PHILL PAN MS	12	EA	
5	003322-041	SEALED BURNER BASE, PAINTED FINISH- GRAY	6	EA	
6	E9108439BK	MAIN TOP (VGRT3626B) *BK*	1	EA	
7	002923-000	BURNER MODULE SUPPORT	3	EA	
8	066197-041	18500 BTU NAT JETHOLDER	1	EA	
8	066197-042	15000 BTU NAT JETHOLDER	5	EA	
	NOTE	(For correct orifice, see chart)			
9	003860-000	10-18 x .500 FASTNR,SCR,HXWH,STL,ZPLT	16	EA	
10	008278-000	BURNER BOX BACK SUPPORT	1	EA	
11	002920-000	TOP TRIM RING, RH	1	EA	
12	002755-000	BURNER BOX SIDE, RH	1	EA	
13	009053-000	BAKE TUBING, 36"	1	EA	
	NOTE	(For correct orifice, see chart)			
14	009112-000	VALVE, SOL, DOUBLE	1	EA	
15	009055-000	BROIL TUBING, 36"	1	EA	
	NOTE	(For correct orifice, see chart)			
16	011035-000	OVEN TUBING ASM	1	EA	
17	016472-000	36" DIVIDER, BURNER BOX	1	EA	
18	PB070058	Cooktop Gasket	1	EA	
19	008279-000	BURNER BOX FRONT SUPPORT	1	EA	

Item	Part No.	Name	Qty	Uom	NOTES
20	003481-000	BURNER BOX SIDE, LH	1	EA	
21	003649-000	TOP TRIM RING, LH	1	EA	
22	004016-000	PLATE,SVCE,RGLT	1	EA	
23	006687-000	REGULATOR COVER PLATE	1	EA	
24	007726-000	21" FLEX TUBING W/CONNECTORS	1	EA	
25	PB020192	10" FLEX TUBING W/CONNECTORS	3	EA	
26	PB020193	16" FLEX TUBING W/CONNECTORS	2	EA	
27	004156-000	CE TRANSFORMER (230-120V)	1	EA	
27	018201-000	TRANSFO 160VA (AMPL- 3N1756)	1	EA	
28	PJ030038	EMC FILTER	1	EA	
29	008283-000	BACK VENT, 36"	1	EA	

UNIT WIRING

NON
ILLUSTRATED PART



Item	Part No.	Name	Qty	Uom	NOTES
NI	025990-000	HARNESS, WIRE, VGCC536-6B	1	EA	
NI	024605-000	WIRE, BRL, ELECTRODE, ASM	1	EA	
NI	PE070036	NYLON CABLE TIES -7"	2	EA	
NI	024606-000	WIRE, BAKE, ELECTRODE, ASM	1	EA	
NI	G4000936	GROUND WIRE	1	EA	
NI	018019-000	CE WIRE HARNESS -2	2	EA	NO LONGER AVAILABLE
NI	018018-000	CE WIRE HARNESS -1	1	EA	NO LONGER AVAILABLE
NI	PE970483	CORD POWER CE	1	EA	
NI	018632-000	WIRE, IGNITOR, 38	1	EA	



Appendix A:Pages Index

CAVITY INTERIOR 1
CONTROL AREA 2
DOOR ASSEMBLY 3
LOWER UNIT AND SIDE PANEL 4
OVEN ELECTRONICS 5
REAR SHEET METAL 6
SURFACE COOKING AREA 7
UNIT WIRING 8



Appendix B:Parts Index

000090-000	3	004645-023	4
000594-000	3	004645-024	4
002755-000	7	004645-025	4
002884-000	2	004645-026	4
002905-000	4	004645-027	4
002920-000	7	004907-000	3
002923-000	7	005259-000	1
003011-000	3	005263-000	1
003011-100	3	005264-000	1
003012-000	3	005269-000	2
003012-100	3	005280-000	4
003322-041	7	005505-002	4
003481-000	7	005505-003	4
003588-000	4	005505-004	4
003649-000	7	005505-005	4
003719-000	2	005505-006	4
003801-000	4	005505-008	4
003860-000	1, 4, 5, 7	005505-009	4
004016-000	7	005505-010	4
004156-000	7	005505-012	4
004479-000	4	005505-013	4
004482-000	4	005505-015	4
004645-002	4	005505-016	4
004645-003	4	005505-017	4
004645-004	4	005505-018	4
004645-005	4	005505-019	4
004645-006	4	005505-020	4
004645-008	4	005505-021	4
004645-009	4	005505-022	4
004645-010	4	005505-023	4
004645-012	4	005505-024	4
004645-013	4	005505-025	4
004645-015	4	005505-026	4
004645-016	4	005505-027	4
004645-017	4	005529-000	4
004645-018	4	005536-000	1
004645-019	4	006050-000	1
004645-020	4	006080-000	3
004645-021	4	006192-000	1
004645-022	4	006355-000	2
		006687-000	6, 7

006945-000	4	011522-008	4
006962-000	6	011522-009	4
007008-000	1	011522-010	4
007147-000	2	011522-012	4
007259-000	1	011522-013	4
007278-000	1	011522-015	4
007323-000	7	011522-016	4
007484-000	4	011522-017	4
007583-000	3	011522-018	4
007726-000	7	011522-019	4
007816-000	4	011522-020	4
007817-000	4	011522-021	4
007841-000	1	011522-022	4
007842-000	5, 5	011522-023	4
007844-000	1	011522-024	4
007851-000	4	011522-025	4
007854-000	3	011522-026	4
007883-000	3	011522-051	4
008012-000	5	011522-052	4
008154-000	3	011522-053	4
008164-000	3	011522-054	4
008164-100	3	011524-002	3
008185-000	3	011524-003	3
008191-000	1	011524-004	3
008278-000	7	011524-005	3
008279-000	7	011524-006	3
008283-000	7	011524-008	3
008345-000	4	011524-009	3
009053-000	7	011524-010	3
009055-000	7	011524-012	3
009089-000	6	011524-013	3
009091-000	6	011524-015	3
009112-000	7	011524-016	3
009288-000	5	011524-017	3
009307-000	5	011524-018	3
011035-000	7	011524-021	3
011522-002	4	011524-022	3
011522-003	4	011524-023	3
011522-004	4	011524-024	3
011522-005	4	011524-025	3
011522-006	4	011524-102	3

011524-103	3	027009-000	1
011524-104	3	030823-000	3
011524-105	3	031679-000	1
011524-106	3	035958-000	4
011524-108	3	040349-000	1
011524-109	3	040865-000	1, 1
011524-110	3	041505-000	6
011524-112	3	042287-000	4
011524-113	3	042323-002	4
011524-115	3	042323-003	4
011524-116	3	042323-004	4
011524-117	3	042323-005	4
011524-118	3	042323-006	4
011524-121	3	042323-008	4
011524-122	3	042323-009	4
011524-123	3	042323-010	4
011524-124	3	042323-012	4, 4
011524-125	3	042323-015	4
011637-000	2	042323-016	4
012265-000	2	042323-017	4
012438-000	5	042323-018	4
012567-000	5	042323-019	4
012569-000	5	042323-020	4
012571-000	5	042323-021	4
013053-000	2	042323-022	4
013290-000	3	042323-023	4
016471-000	5	042323-024	4, 4
016472-000	7	042323-026	4
018006-000	5	042323-051	4
018018-000	2, 8	042323-052	4
018019-000	2, 8	042323-053	4
018022-000	1	042323-054	4
018031-000	2	042648-000	4
018201-000	7	042666-000	4
018605-000	2	042678-002	4
018627-000	2	042678-003	4
018631-000	2	042678-004	4
018632-000	8	042678-005	4
024605-000	8	042678-006	4
024606-000	8	042678-008	4
025990-000	8	042678-009	4

042678-010 4	049718-402 1
042678-012 4	050102-2107 2
042678-013 4	050172-000 2
042678-015 4	051428-000 2
042678-016 4	056034-000 2
042678-017 4	056872-000 4
042678-018 4	056873-000 4
042678-019 4	066197-041 7
042678-020 4	066197-042 7
042678-021 4	066210-000 1
042678-022 4	066958-000 7
042678-023 4	067033-000 7
042678-024 4	068417-000 5
042678-025 4	068418-000 5
042678-026 4	068458-000 1
042678-027 4	068653-601 1
042679-002 4	074321-000 3
042679-003 4	074329-002 3
042679-004 4	074329-005 3
042679-005 4	074329-006 3
042679-006 4	074329-008 3
042679-008 4	074329-013 3
042679-009 4	074329-024 3
042679-010 4	074892-000 7
042679-012 4	085109-000 1
042679-013 4	A1002596 1
042679-015 4	A20012649 5
042679-016 4	A2001361 1
042679-017 4, 4	A2002189 3
042679-019 4	A2002595 1
042679-020 4	A2004428 1
042679-021 4	A2004429 4
042679-022 4	A2005525 1
042679-023 4	A2008467 1
042679-024 4	B2002261 1
042679-025 4	B2005589 1
042679-026 4	E2004433 1
042679-027 4	E2004435 1
044178-000 4	E2005512 1
049416-000 7	E21012644 1
049420-000 7	E2109638 1



E30014476	1	PE070207	4
E91012614	1	PE970483	8
E9107933	1	PJ030022	5
E9107934	1	PJ030038	7
E9108439BK	7	PJ030039	5
G4000936	8		
PB020192	7		
PB020193	7		
PB040170	1		
PB040171	1		
PB060030	1		
PB070058	7		
PB070079	5		
PB070208	1		
PD010003	3		
PD010012	2		
PD020014	3		
PD020032	2		
PD020033	3		
PD020060	1, 5		
PD020063	3		
PD020067	1		
PD020076	7		
PD020084	1		
PD020232	1		
PD030018	1		
PD03006	3		
PD040004	2		
PD040005	4		
PD040106	2		
PD040152	5		
PE010030	3		
PE010068	3		
PE050001	4		
PE050023	2		
PE050024	2		
PE050057	1		
PE050208	5		
PE050250	5		
PE060030	3		
PE070036	8		