

**VGIC53626BSS**

**GUARANTEEDPARTS.COM**

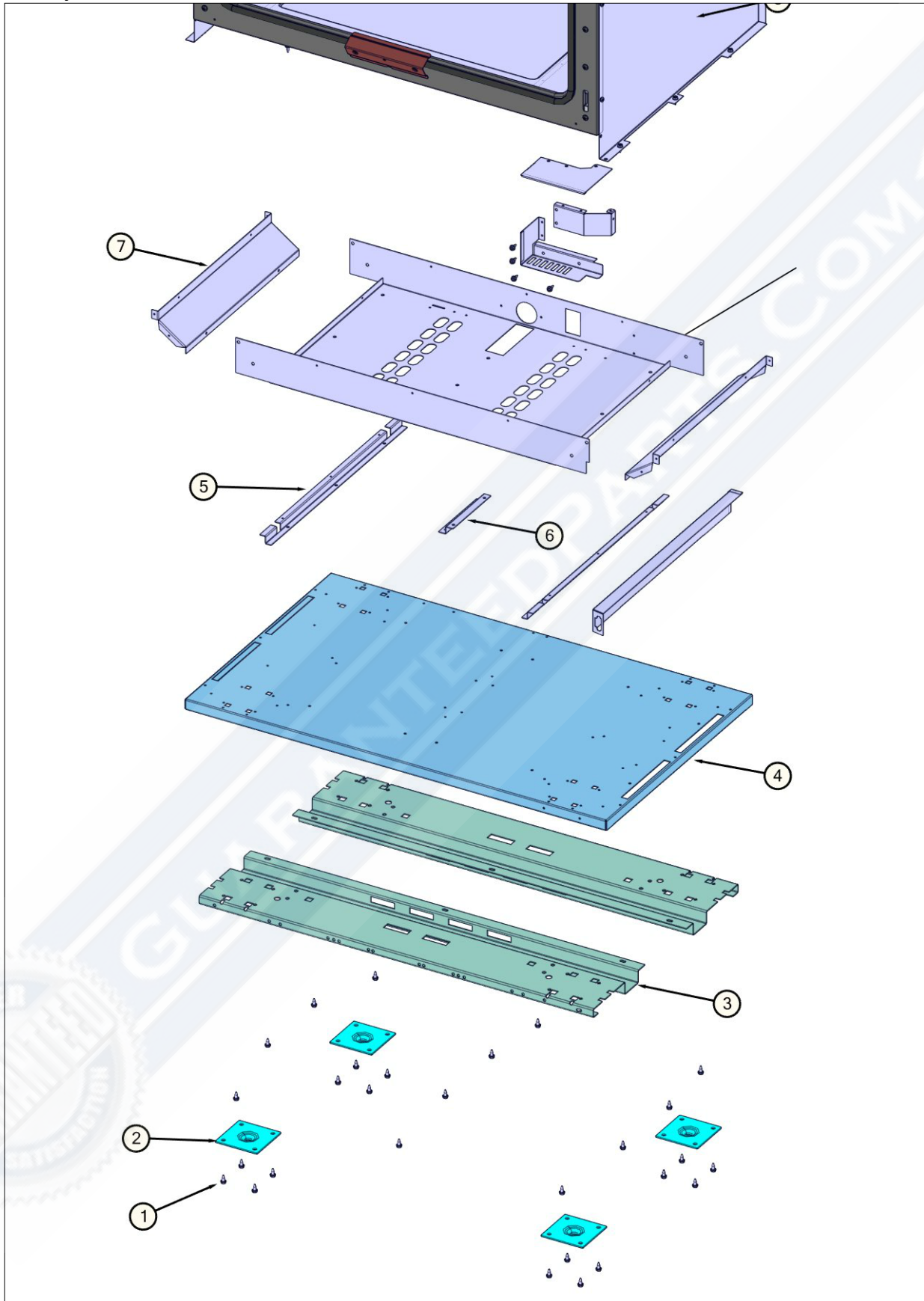


Bottom Cavity View .....	1
Sides and Interior Cavity View .....	2
Top and Rear Cavity Vie .....	3
Surface Cooking View .....	4
Decor View .....	5
Gas Asm View .....	6
Control View .....	7
Electrical View .....	8
Door View .....	9
Wiring Diagram .....	10
Appendix A:Pages Index .....	A
Appendix B:Parts Index .....	B

GUARANTEEDPARTS.COM



Bottom Cavity View

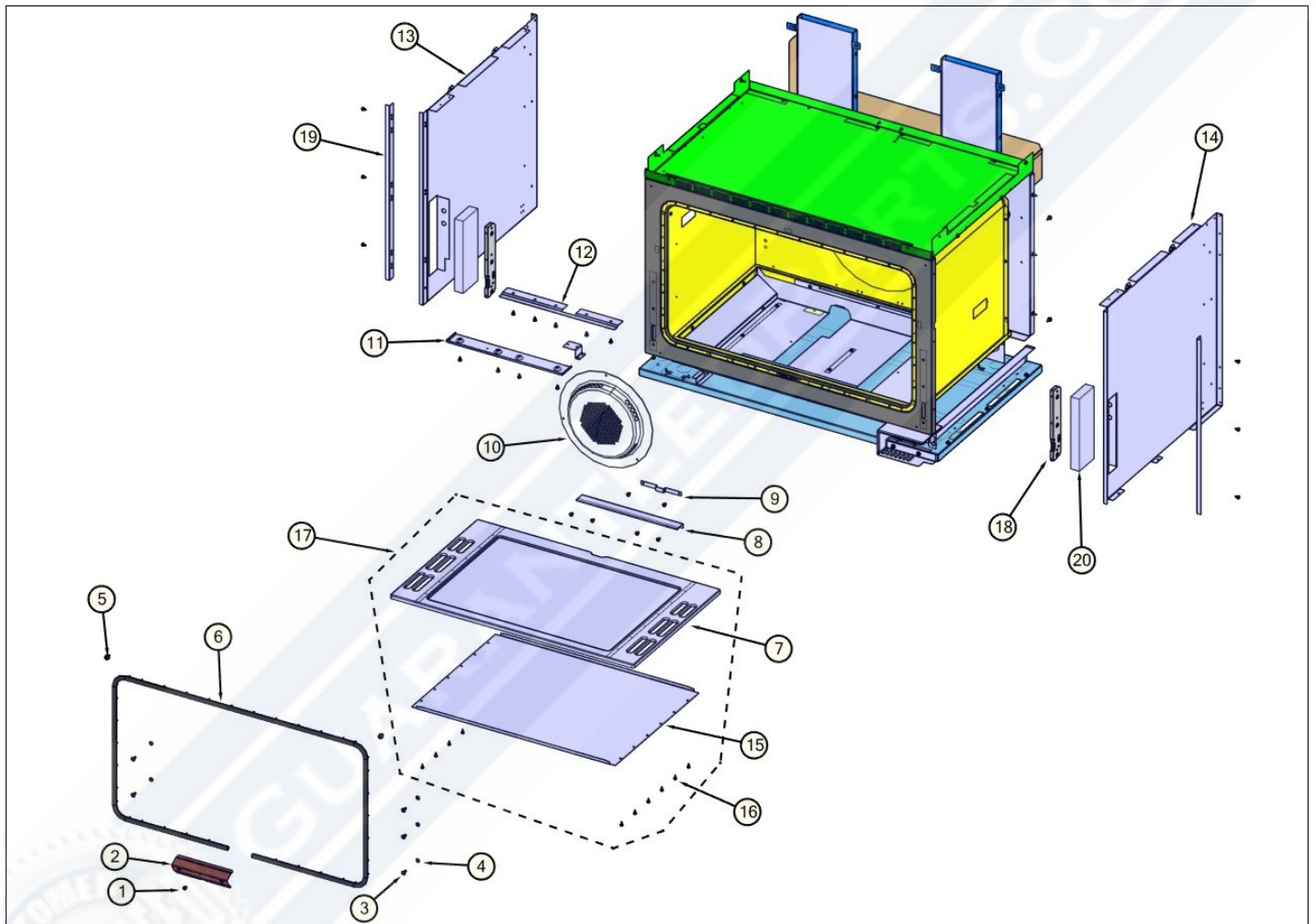


Item	Part No.	Name	Qty	Uom	NOTES
1	003860-000	10-18 x .500 FASTNR,SCR,HXWH,STL,ZPLT	45	EA	
2	PC030007	PLATE,LEG	4	EA	
3	046935-000	BRACKET, LEG, OFFSET (NON-SERVICEABLE PART)	2	EA	
4	020604-000	BASE, RANGE	1	EA	
5	A2004429	OVEN BOTTOM INSUL. BRACE (VGSC306)	2	EA	
6	050794-000	BRACKET, HOLD-DOWN, BOX, FIRE	1	EA	
7	014747-000	BRACKET, BNR, SIDE, PORCELAIN	2	EA	
8	043730-000	OVEN CVTY, BTM, 36"	1	EA	

GUARANTEEDPARTS.COM

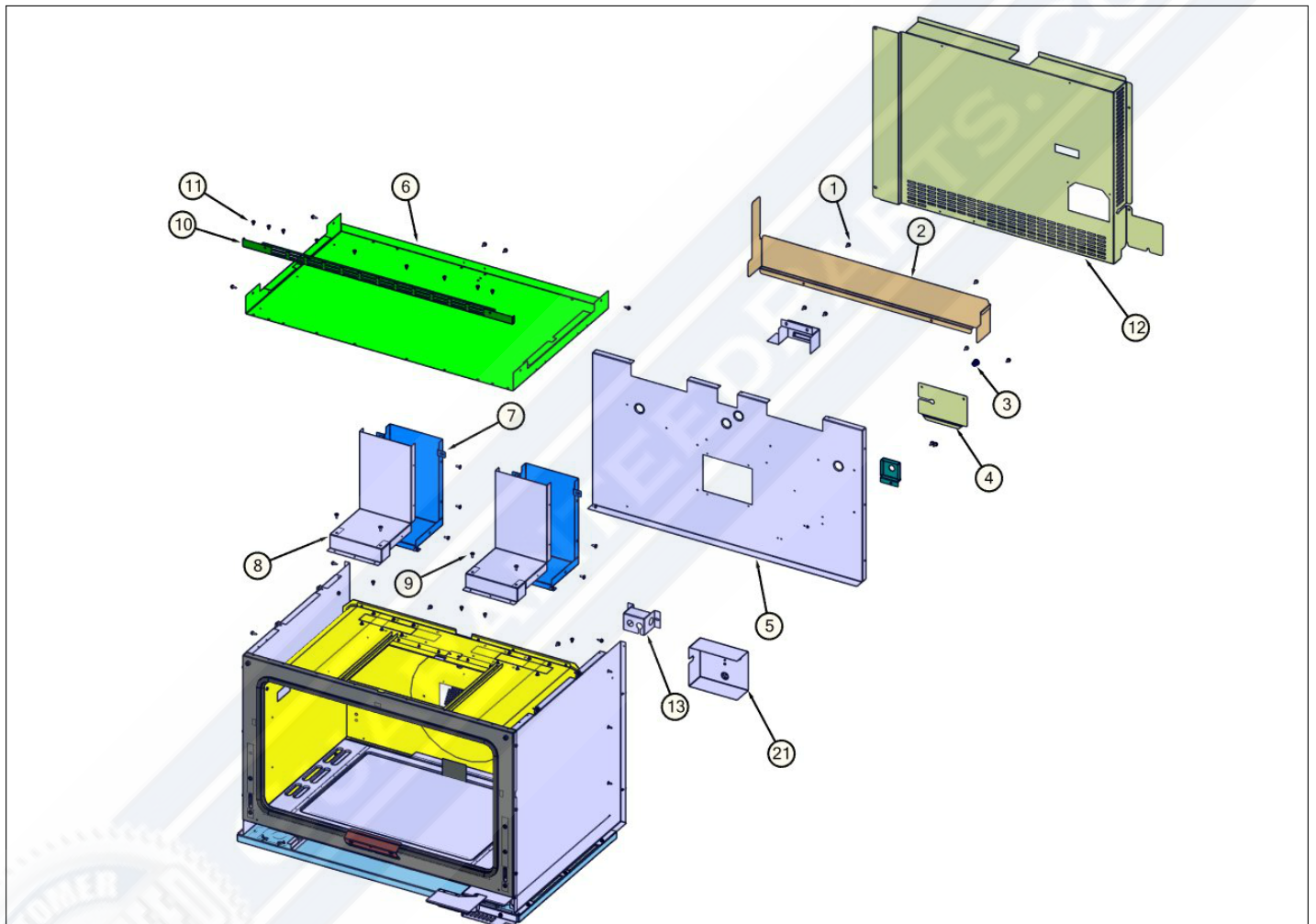


Sides and Interior Cavity View



Item	Part No.	Name	Qty	Uom	NOTES
1	037304-000	FASTENER, PNH, TORX, AB, PSVD, WAX	30	EA	
2	059489-000	CLIP, GSKT	1	EA	
3	046651-000	SCREW, TRILOBE, 10-32, TRUSS, PH, BLACK	5	EA	
4	052632-000	WASHER, FLAT, PTFE, NO.10	5	EA	
5	043800-000	BUMPER, RBR, BLK	2	EA	
6	046019-000	GASKET, LINER, AG, ASM 36"	1	EA	
7	G9105526BK	OVEN BOTTOM ASSY, BK	1	EA	
8	031445-402	BRACE, OVEN, BOTTOM, BACK W/BK PORC	1	EA	
9	A2004428	REAR BOTTOM BRCKT (VGSC306)	1	EA	
10	013580-402	CONV COVER W/BK PORC	1	EA	
11	020409-000	BRACKET, SPRT, FR, I/R BROILER	1	EA	
12	020412-000	BRACKET, SPRT, REAR, I/R BROILER	1	EA	
13	064191-000	PANEL, INSL, VGR548, LH	1	EA	
14	064189-000	PANEL, INSL, VGR548, RH	1	EA	
15	A2005525	OVEN BOTTOM HEAT SHIELD	1	EA	
16	008026-000	#6-20 HEX WASHER SS SCREW	12	EA	
17	066210-000	ASM, BOTTOM, CABITY, OVEN, GAS, 36"	1	EA	
18	045060-000	RECEIVER, HINGE, SLOW-CLOSE, UNDAMPENED	2	EA	
19	005536-000	TRIM	2	EA	
20	046677-000	INSULATION, FBGL, RECEIVER, DAMPENING	2	EA	
NI	072523-000	BOX, JUNCTION, VGIC5	1	EA	

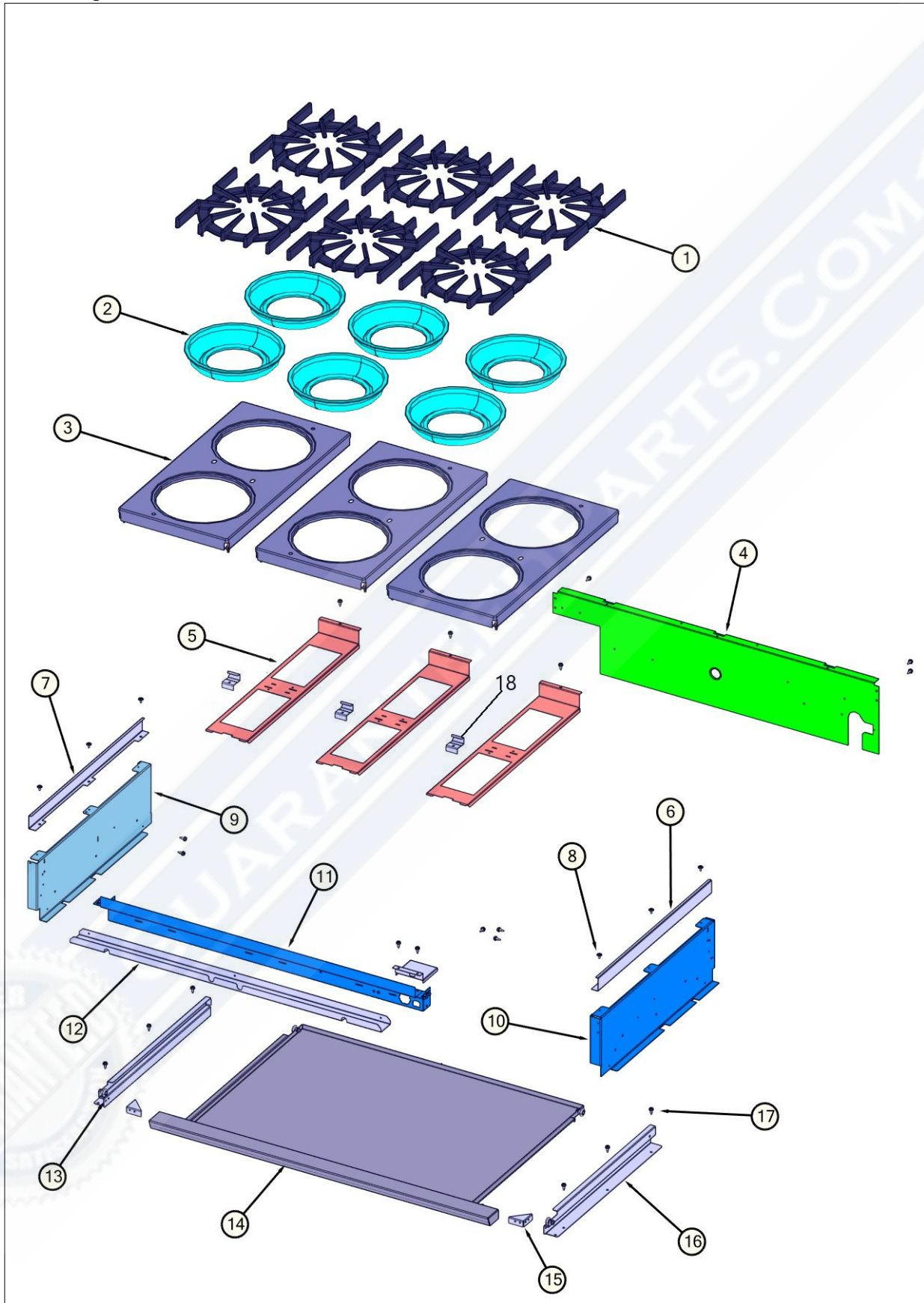
Top and Rear Cavity Vie



Item	Part No.	Name	Qty	Uom	NOTES
1	003860-000	10-18 x .500 FASTNR,SCR,HXWH,STL,ZPLT	38	EA	
2	065159-000	COLLAR, BACK, 36"	1	EA	
3	PE070069	STRAIGHT-THRU BUSHING	1	EA	
4	059160-000	PNL, ACCESS, COVER, VGR560	1	EA	
5	072525-000	PANEL, INSL, BACK, VGIC5362	1	EA	
6	069682-000	TOP, CABINET, VGIC536	1	EA	
7	062988-000	VENT, OUTER, VGR5	2	EA	
8	062989-000	VENT, INNER, VGR5	2	EA	
9	PD020046	#8 X 1/2 SCREWS	20	EA	
10	071638-402	GRILLE, INLET, VGIC5362, BK	1	EA	
11	037304-000	FASTENER, PNH, TORX, AB, PSVD, WAX	19	EA	
12	072508-000	PANEL, BACK, OUTER, VGIC5362	1	EA	
NI	082407-000	INSULATION, FIBERGLASS, 3" THK X 20" WIDE X 36" LONG	3	EA	NON-SERVICEABLE
13	040736-000	BRKT, ORF	1	EA	
14	072523-000	BOX, JUNCTION, VGIC5	1	EA	

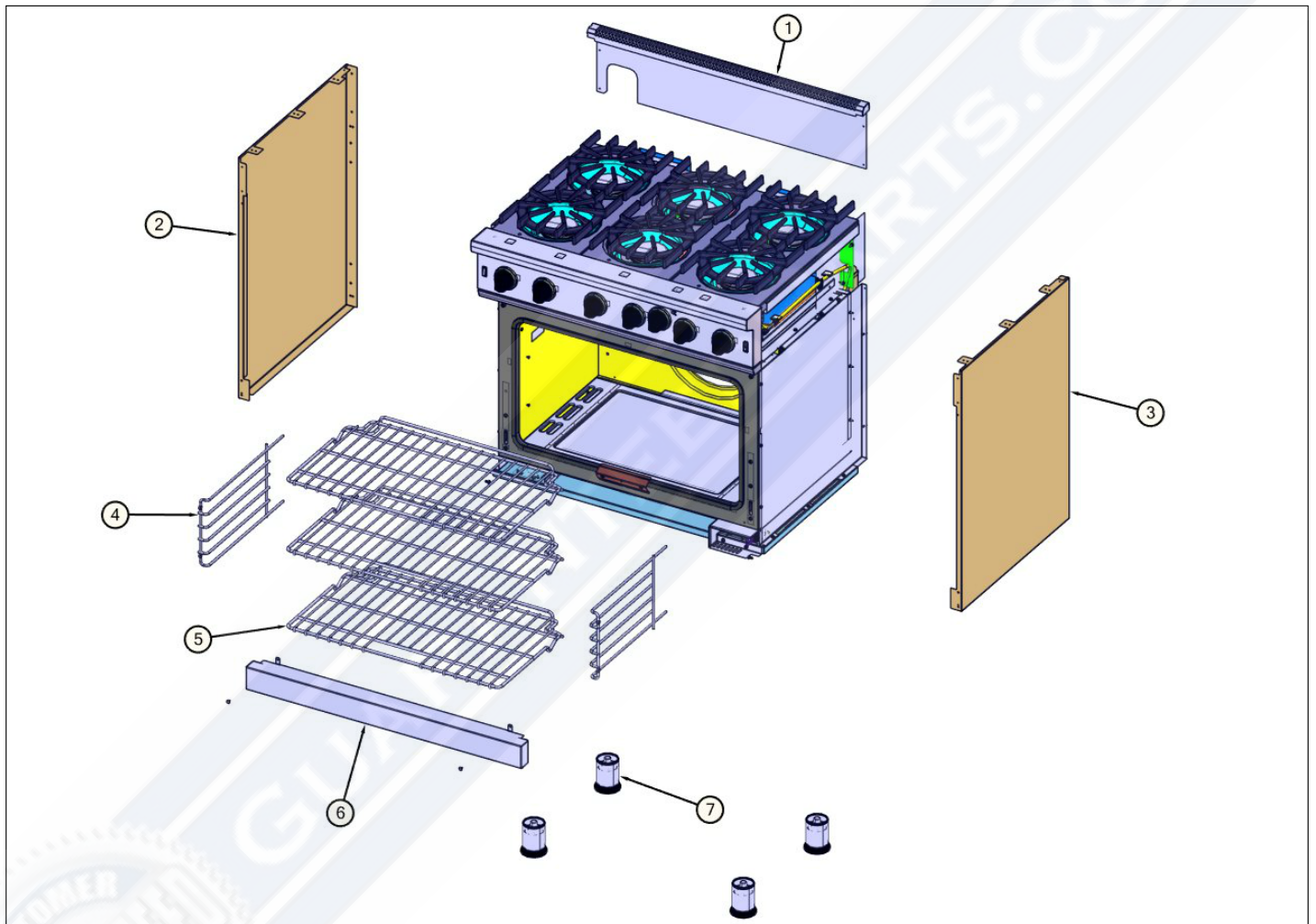


Surface Cooking View



Item	Part No.	Name	Qty	Uom	NOTES
1	067027-000	GRATE, SPIDER, BURNER, OPEN	6	EA	
2	PA030002BK	BURNER BOWL (VGRT) **BK**	6	EA	
3	G50013584BK	GRATE SUPPORT SERVICE KIT (BK)	3	EA	
4	065346-000	SUPPORT, REAR. VGIC5, 36"	1	EA	
5	015485-000	SUPPORT, BURNER, VGIC	3	EA	
	NOTE	(BEFORE 11/20/19)		EA	
5	073315-000	SUPPORT, BURNER, TOP, VGIC5	3	EA	
	NOTE	(ON OR AFTER 11/20/19)		EA	
6	072597-000	TRIM, SIDE, RH	1	EA	
7	072598-000	TRIM, SIDE, LH	1	EA	
8	PD020073	SRW #10 X 24 X 3/8 WAFER HD TYPE23	6	EA	
9	049578-000	PNL, SIDE, RANGE, LEFT TOP	1	EA	
10	059914-000	PANEL, SIDE, RH, VGIC	1	EA	
11	017140-000	SUPPORT, FRONT 36" ASM	1	EA	
12	058604-000	SHIELD, DRIP, VGIC536	1	EA	
13	067206-000	RAIL, SL, LH, VGIC, ASSY	1	EA	
14	066199-000	TRAY, DRIP, ASSEMBLY VGIC 36"	1	EA	
15	067238-000	GUSSET, TRAY, DRIP, VGIC	2	EA	
16	067205-000	RAIL, SL, RH, VGIC, ASSY	1	EA	
17	003860-000	10-18 x .500 FASTNR,SCR,HXWH,STL,ZPLT	24	EA	
18	065342-000	BRACKET, REAR, BOX, BURNER VGI	3	EA	

Decor View

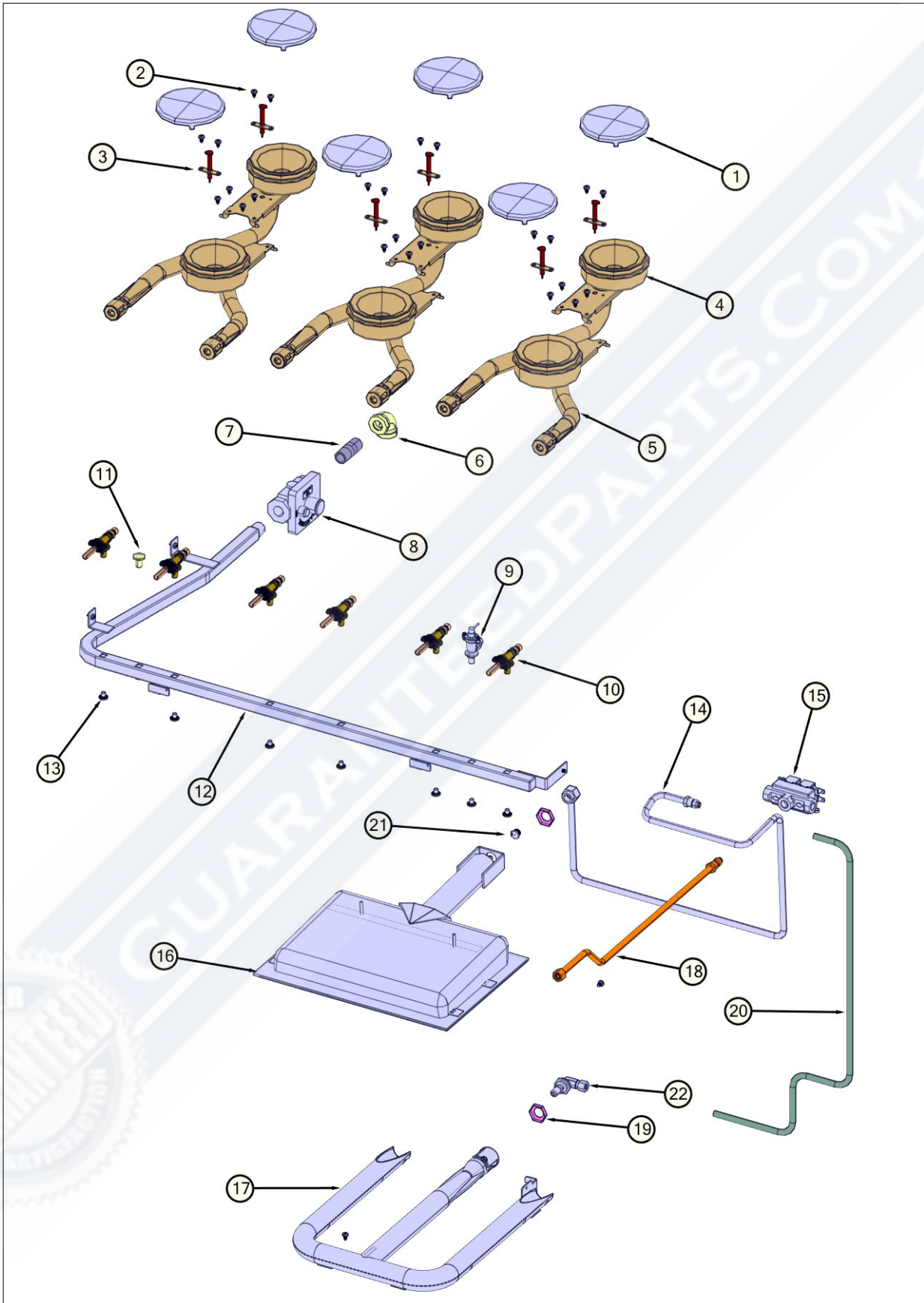


Item	Part No.	Name	Qty	Uom	NOTES
1	062400-000	TRIM, IS, WELD, ASM, 36"	1	EA	
2	019123-000	PANEL, SIDE, LEFT, SS	1	EA	
2	021310-002	PANEL, SIDE, LEFT- CRS BK	1	EA	
2	021310-005	PANEL, SIDE, LEFT- CRS GG	1	EA	
2	021310-006	PANEL, SIDE, LEFT- CRS WH	1	EA	
2	021310-008	PANEL, SIDE, LEFT- CRS BU	1	EA	
2	021310-013	PANEL, SIDE, LEFT- CRS CB	1	EA	
2	021310-024	PANEL, SIDE, LEFT- CRS AR	1	EA	
2	021310-2801	PANEL, SIDE, LEFT- CRS Kalamata Red (KA)	1	EA	
2	021310-2847	PANEL, SIDE, LEFT- CRS Blackforest Green	1	EA	
2	021310-6180	PANEL, SIDE, LEFT- CRS Cypress Green (CY)	1	EA	
2	021310-6258	PANEL, SIDE, LEFT- CRS Cast Black (CS)	1	EA	
2	021310-6421	PANEL, SIDE, LEFT- CRS Vanilla Cream (VC)	1	EA	
2	021310-6765	PANEL, SIDE, LEFT- CRS Bywater Blue (BW)	1	EA	
2	021310-6797	PANEL, SIDE, LEFT- CRS Alluvial Blue (AB)	1	EA	
2	021310-6871	PANEL, SIDE, LEFT- CRS San Marzano Red (SM)	1	EA	
2	021310-7024	PANEL, SIDE, LEFT- CRS Pacific Grey (PG)	1	EA	
2	021310-7070	PANEL, SIDE, LEFT- CRS Frost White (FW)	1	EA	
2	021310-7585	PANEL, SIDE, LEFT- CRS Reduction Red (RE)	1	EA	
2	021310-7652	PANEL, SIDE, LEFT- CRS Artic Grey (AG)	1	EA	
2	021310-7674	PANEL, SIDE, LEFT- CRS Damascus Grey (DG)	1	EA	
2	021310-9178	PANEL, SIDE, LEFT- CRS Slate Blue (SB)	1	EA	
3	019124-000	PANEL, SIDE, RIGHT	1	EA	
3	021309-002	PANEL, SIDE, RIGHT- CRS BK	1	EA	
3	021309-005	PANEL, SIDE, RIGHT- CRS GG	1	EA	

Item	Part No.	Name	Qty	Uom	NOTES
3	021309-006	PANEL, SIDE, RIGHT- CRS WH	1	EA	
3	021309-008	PANEL, SIDE, RIGHT- CRS BU	1	EA	
3	021309-013	PANEL, SIDE, RIGHT- CRS CB	1	EA	
3	021309-024	PANEL, SIDE, RIGHT- CRS AR	1	EA	
3	021309-2801	PANEL, SIDE, RIGHT- CRS Kalamata Red (KA)	1	EA	
3	021309-2847	PANEL, SIDE, RIGHT- CRS Blackforest Green	1	EA	
3	021309-6180	PANEL, SIDE, RIGHT- CRS Cypress Green (CY)	1	EA	
3	021309-6258	PANEL, SIDE, RIGHT- CRS Cast Black (CS)	1	EA	
3	021309-6421	PANEL, SIDE, RIGHT- CRS Vanilla Cream (VC)	1	EA	
3	021309-6765	PANEL, SIDE, RIGHT- CRS Bywater Blue (BW)	1	EA	
3	021309-6797	PANEL, SIDE, RIGHT- CRS Alluvial Blue (AB)	1	EA	
3	021309-6871	PANEL, SIDE, RIGHT- CRS San Marzano Red (SM)	1	EA	
3	021309-7024	PANEL, SIDE, RIGHT- CRS Pacific Grey (PG)	1	EA	
3	021309-7070	PANEL, SIDE, RIGHT- CRS Frost White (FW)	1	EA	
3	021309-7585	PANEL, SIDE, RIGHT- CRS Reduction Red (RE)	1	EA	
3	021309-7652	PANEL, SIDE, RIGHT- CRS Artic Grey (AG)	1	EA	
3	021309-7674	PANEL, SIDE, RIGHT- CRS Damascus Grey (DG)	1	EA	
3	021309-9178	PANEL, SIDE, RIGHT- CRS Slate Blue (SB)	1	EA	
4	066225-402	GUIDE, RACK, RH- BK	2	EA	
5	062186-000	RACK, PRO, GAS, 36"	3	EA	
6	042287-000	KICKPLATE, GAS & DUAL FUEL, 36"	1	EA	
6	042323-002	KICKPLATE, GAS & DUAL FUEL, 36" BK	1	EA	
6	042323-005	KICKPLATE, GAS & DUAL FUEL, 36" GG	1	EA	

Item	Part No.	Name	Qty	Uom	NOTES
6	042323-006	KICKPLATE, GAS & DUAL FUEL, 36" WH	1	EA	
6	042323-008	KICKPLATE, GAS & DUAL FUEL, 36" BU	1	EA	
6	042323-013	KICKPLATE, GAS & DUAL FUEL, 36" CB	1	EA	
6	042323-024	KICKPLATE, GAS & DUAL FUEL, 36" AR	1	EA	
6	042323-2801	KICKPLATE, GAS & DUAL FUEL, 36" Kalamata Red (KA)	1	EA	
6	042323-2847	KICKPLATE, GAS & DUAL FUEL, 36" Blackforest Green (BF)	1	EA	
6	042323-6180	KICKPLATE, GAS & DUAL FUEL, 36" Cypress Green (CY)	1	EA	
6	042323-6258	KICKPLATE, GAS & DUAL FUEL, 36" Cast Black (CS)	1	EA	
6	042323-6421	KICKPLATE, GAS & DUAL FUEL, 36" Vanilla Cream (VC)	1	EA	
6	042323-6765	KICKPLATE, GAS & DUAL FUEL, 36" Bywater Blue (BW)	1	EA	
6	042323-6797	KICKPLATE, GAS & DUAL FUEL, 36" Alluvial Blue (AB)	1	EA	
6	042323-6871	KICKPLATE, GAS & DUAL FUEL, 36" San Marzano Red (SM)	1	EA	
6	042323-7024	KICKPLATE, GAS & DUAL FUEL, 36" Pacific Grey (PG)	1	EA	
6	042323-7070	KICKPLATE, GAS & DUAL FUEL, 36" Frost White (FW)	1	EA	
6	042323-7585	KICKPLATE, GAS & DUAL FUEL, 36" Reduction Red (RE)	1	EA	
6	042323-7652	KICKPLATE, GAS & DUAL FUEL, 36" Artic Grey (AG)	1	EA	
6	042323-7674	KICKPLATE, GAS & DUAL FUEL, 36" Damascus Grey (DG)	1	EA	
6	042323-9178	KICKPLATE, GAS & DUAL FUEL, 36" Slate Blue (SB)	1	EA	
7	044178-000	RANGE, LEG, ADJUSTABLE	4	EA	

Gas Asm View



Item	Part No.	Name	Qty	Uom	NOTES
1	066982-000	CAP, BURNER, OPEN, BLK	6	EA	
2	037304-000	FASTENER, PNH, TORX, AB, PSVD, WAX	30	EA	
3	PA020028	SPARK IGNITER	6	EA	
4	015493-000	BURNER, REAR, ASM	3	EA	
5	015486-000	BURNER, FRONT, ASM	3	EA	
6	PB040053	1/2" 90 DEG, ELBOW	1	EA	
7	027915-000	NIPPLE, PIPE, 2"	1	EA	
8	PA070003	PRESSURE REGULATOR (NAT.)	1	EA	
8	013386-000	LP PRESSURE REGULATOR	1	EA	
9	007147-000	SHUT OFF VALVE	1	EA	
10	061228-000	VALVE, GAS, BURNER, TOP, NAT	6	EA	
10	061229-000	VALVE, GAS, BURNER, TOP, LP	6	EA	
11	002884-000	MANIFOLD PLUG	1	EA	
12	015784-000	MANIFOLD, 36"	1	EA	
13	PD010012	VALVE BOLT 1/4-20 UNC-2B 5/16" M.S.	8	EA	
14	016952-000	TUBING, BROIL 36" ASM	1	EA	
14	084115-000	27" GAS LINE ASSEMBLY (INCLUDES FITTINGS)	1	EA	
	NOTE	SERIAL 120121C10029565 THRU 030922C10036901		EA	
14	PB040178	90 DEGREE ORIFICE FITTING (VGSC306)	1	EA	
	NOTE	SERIAL 120121C10029565 THRU 030922C10036901		EA	
15	009112-000	VALVE, SOL, DOUBLE	1	EA	
16	085109-000	IR BROIL BURNER KIT	1	EA	
17	043276-000	BURNER, BAKE, ASM, 36"	1	EA	
17	044236-000	BURNER, BAKE, ASM, 36"- LP	1	EA	
18	015529-000	TUBING, VALVE, RH OVEN	1	EA	
19	PD030018	PALNUT - 3/4-16	1	EA	
20	084116-000	36" GAS LINE ASSEMBLY (INCLUDES FITTINGS)	1	EA	

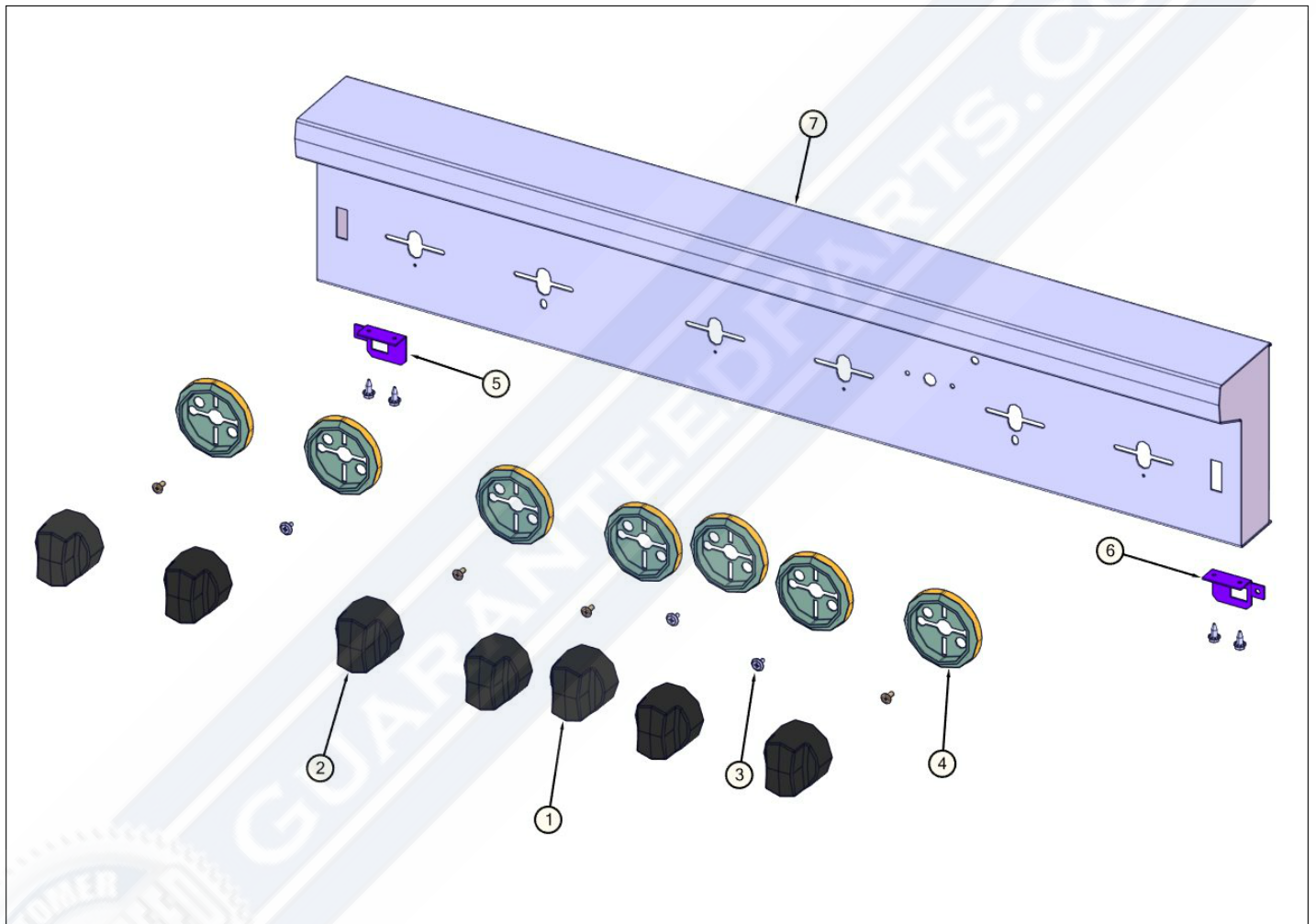


Item	Part No.	Name	Qty	Uom	NOTES
21	PB040040	ORIFICE-IR BURNER (VGSC) (NAT #47)	1	EA	
21	PB040027	IR BUR.SPUD ORF. - #56 LP	1	EA	
22	058554-000	90 DEG ORIFICE FITTING, #34	1	EA	
22	048028-000	90 DEG ORIFICE FITTING #51 DRILL	1	EA	

GUARANTEEDPARTS.COM



Control View

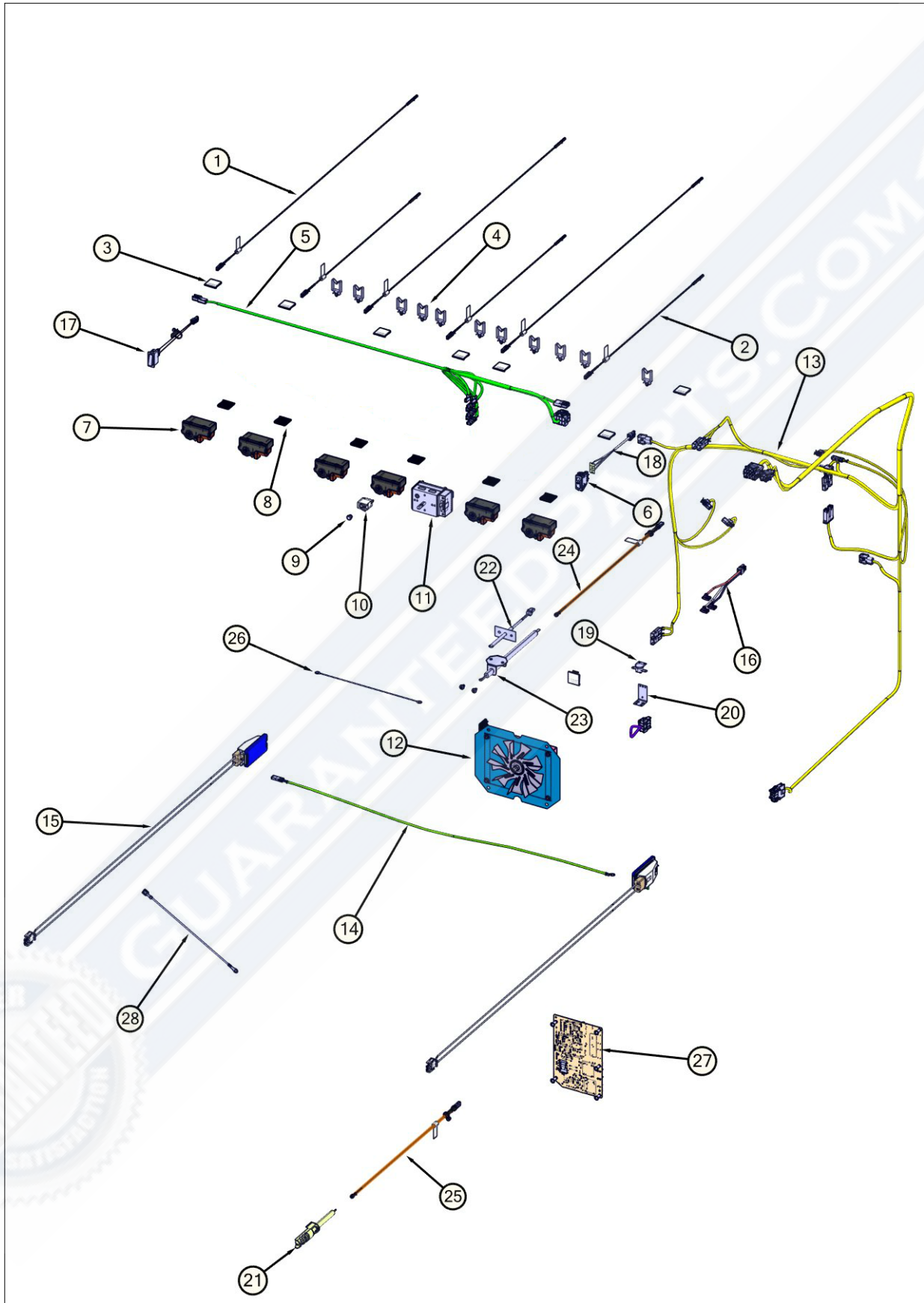


Item	Part No.	Name	Qty	Uom	NOTES
1	059004-2071	KNOB, OVEN, TSTAT PRO VGR ASSY	1	EA	
2	063759-2809	KNOB, BNR, TOP, PRO ASSY BLK CR	6	EA	
3	064534-000	SCREW, 6-20 X .552" LG	12	EA	
4	072789-000	BEZEL, KNOB	7	EA	
5	024011-000	BRACKET, CAPT, LH	1	EA	
6	024010-000	BRACKET, CAPT, RH	1	EA	
7	072529-2256	PNL, CTR, ASM, VGIC53626B, W/GRAPHICS	1	EA	
NI	PD950013	LATCH PANEL ACCESS	2	EA	

GUARANTEED PARTS.COM



Electrical View



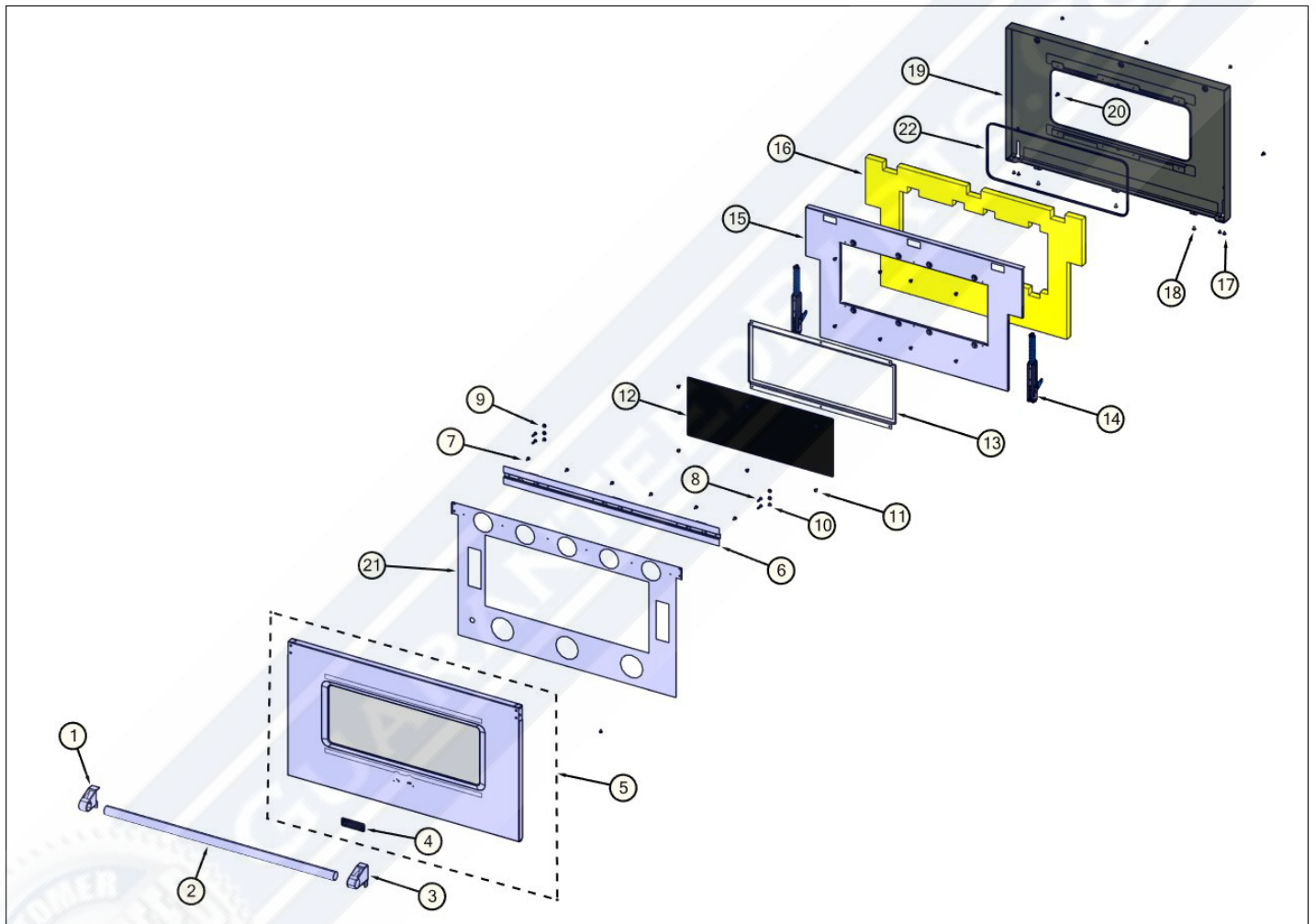
Item	Part No.	Name	Qty	Uom	NOTES
1	058659-604	HARN, VGR5, ELEC, BURN, 30.5"	3	EA	
2	058659-603	HARN, VGR5, ELEC, BURN, 18"	3	EA	
3	049878-000	CORD, CLIP, ADHESIVE	15	EA	
4	045548-000	CLIP, ROUTING, WIRE	11	EA	
5	036193-000	HARNESS, CONTROL, BK/BR	1	EA	
6	025098-000	SWITCH, ROCKER, BLK, LIGHTED	1	EA	
6	003719-000	OVEN LIGHT SWITCH, BLACK	1	EA	
	NOTE	SERIAL 040522C10040161 THRU 042222C10040161			
7	035795-000	MODULE, IGN, GAS,SNGL	6	EA	
8	049878-000	CORD, CLIP, ADHESIVE	15	EA	
9	079905-000	INDICATOR, LIGHT, BLUE	1	EA	PART NO LONGER HAS BEZEL. REPLACE ALL IF ORIGINAL HAS BEZEL.
10	015170-000	HOUSING, LIGHT, BLUE NEON, 125V	1	EA	
11	056034-000	TSTAT, SMPS, ELEC, 2-POS	1	EA	
12	067290-000	FAN, MOTOR, CNVN ASSY	1	EA	
13	059956-000	HARN, MAIN, VGIC5366B	1	EA	
	NOTE	(IRIS MODULES WIRES INCLUDED)			
14	058704-000	HARN, VGIC, GROUND	1	EA	
15	068653-601	LIGHT, 120V/25W, G9, HALOGEN, SIDE	2	EA	
16	023040-000	HARNESS, CNVN, SWITCH, ASM	1	EA	
17	003719-000	OVEN LIGHT SWITCH, BLACK	1	EA	
18	007378-000	LIGHT SWITCH HARNESS	1	EA	
19	PJ030039	BI-METAL THERMOSTAT 275 DEGREES	1	EA	
NI	023750-000	CORD, SUPPLY	1	EA	
20	A20014089	DISC BRACKET	1	EA	
21	PB040170	BAKE IGNITION ELECTRODE	1	EA	
22	PE050206	RTD THERMOSTAT PROBE	1	EA	

Item	Part No.	Name	Qty	Uom	NOTES
23	PB040171	BROIL IGNITION ELECTRODE	1	EA	
24	059957-000	HARN, VGIC, BROIL ELEC	1	EA	
25	059958-000	HARN, VGIC, BAKE ELEC	1	EA	
26	065857-000	HARNES, WIRING, GROUND, ELECTRODE, ASSY	1	EA	
27	043453-000	MODULE, DSI	1	EA	
28	G4000936	GROUND WIRE	1	EA	

GUARANTEEDPARTS.COM



Door View



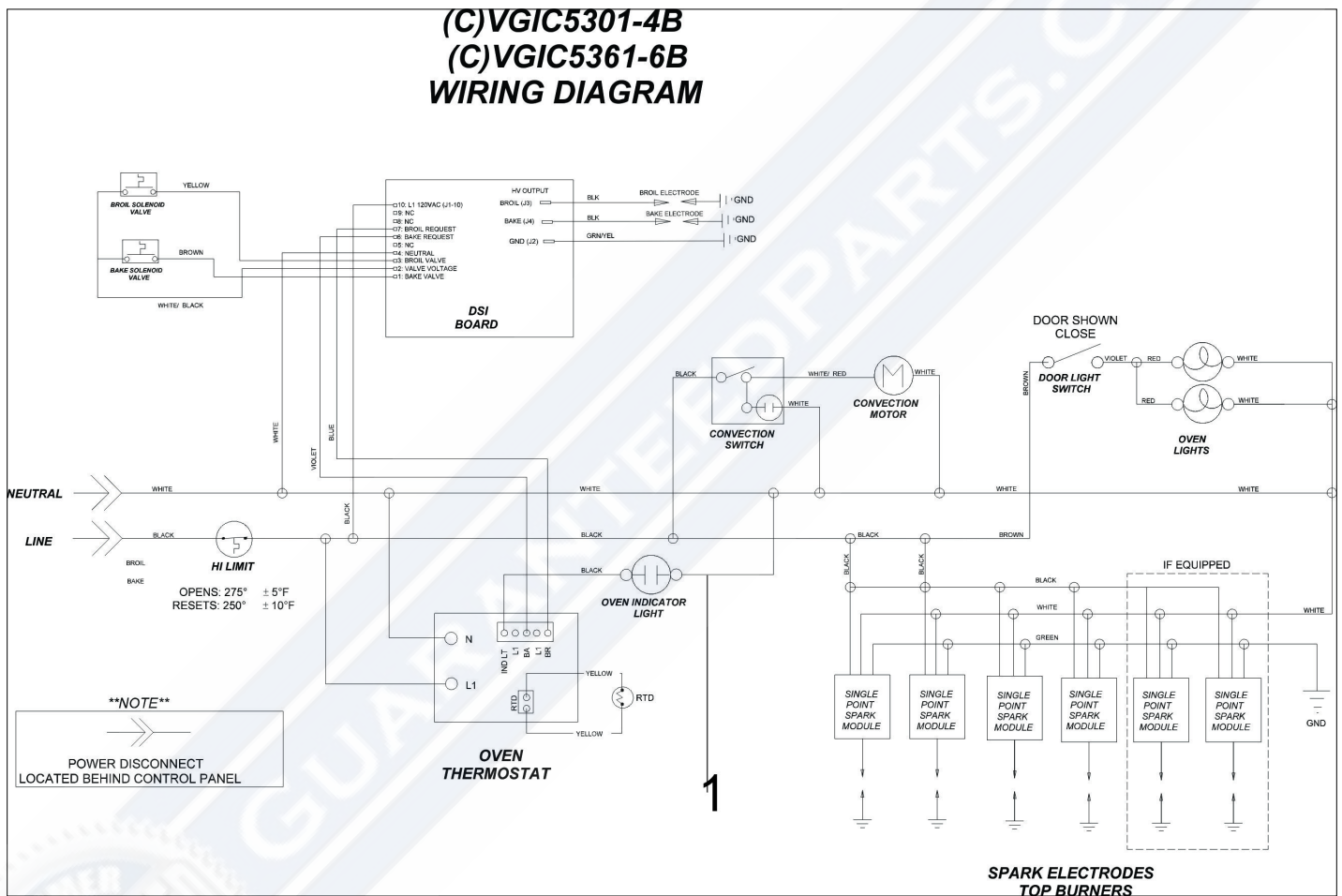
Item	Part No.	Name	Qty	Uom	NOTES
1	003011-000	DOOR HANDLE ENDCAP ASSY, LH (CHROME)	1	EA	
2	006080-000	36" DOOR HANDLE, 35.5	1	EA	
3	003012-000	DOOR HANDLE ENDCAP ASSY, RH (CHROME)	1	EA	
4	062341-000	NAMEPLATE, VIKING, 3.500", W/LOC PINS 5 SERIES	1	EA	
5	068449-000	ASM, DOOR, OS, KIT, 36", SS	1	EA	
5	068455-002	ASM, DOOR, OS, KIT, 36", PAINTED BK	1	EA	
5	068455-005	ASM, DOOR, OS, KIT, 36", PAINTED GG	1	EA	
5	068455-006	ASM, DOOR, OS, KIT, 36", PAINTED WH	1	EA	
5	068455-008	ASM, DOOR, OS, KIT, 36", PAINTED BU	1	EA	
5	068455-013	ASM, DOOR, OS, KIT, 36", PAINTED CB	1	EA	
5	068455-024	ASM, DOOR, OS, KIT, 36", PAINTED AR	1	EA	
5	068455-2801	ASM, DOOR, OS, KIT, 36", PAINTED - Kalamata Red (KA)	1	EA	
5	068455-2847	ASM, DOOR, OS, KIT, 36", PAINTED - Blackforest Green (BF)	1	EA	
5	068455-6180	ASM, DOOR, OS, KIT, 36", PAINTED - Cypress Green (CY)	1	EA	
5	068455-6258	ASM, DOOR, OS, KIT, 36", PAINTED - Cast Black (CS)	1	EA	
5	068455-6421	ASM, DOOR, OS, KIT, 36", PAINTED - Vanilla Cream (VC)	1	EA	
5	068455-6765	ASM, DOOR, OS, KIT, 36", PAINTED - Bywater Blue (BW)	1	EA	
5	068455-6797	ASM, DOOR, OS, KIT, 36", PAINTED - Alluvial Blue (AB)	1	EA	
5	068455-6871	ASM, DOOR, OS, KIT, 36", PAINTED - San Marzano Red (SM)	1	EA	
5	068455-7024	ASM, DOOR, OS, KIT, 36", PAINTED - Pacific Grey (PG)	1	EA	
5	068455-7070	ASM, DOOR, OS, KIT, 36", PAINTED - Frost White (FW)	1	EA	



Item	Part No.	Name	Qty	Uom	NOTES
5	068455-7585	ASM, DOOR, OS, KIT, 36", PAINTED - Reduction Red (RE)	1	EA	
5	068455-7652	ASM, DOOR, OS, KIT, 36", PAINTED -Artic Grey (AG)	1	EA	
5	068455-7674	ASM, DOOR, OS, KIT, 36", PAINTED - Damascus Grey (DG)	1	EA	
5	068455-9178	ASM, DOOR, OS, KIT, 36", PAINTED - Slate Blue (SB)	1	EA	
6	045403-000	BRACKET, MOUNTING, DOOR, ASM	1	EA	
7	003860-000	10-18 x .500 FASTNR,SCR,HXWH,STL,ZPLT	6	EA	
8	030823-000	#10-32 PAN HEAD PHILLIPS MACHINE SCREW	4	EA	
9	004907-000	STEEL FINISHING PLUG, NICKEL PLTD 25/64" HOLE	4	EA	
10	PD020073	SRW #10 X 24 X 3/8 WAFER HD TYPE23	2	EA	
11	004526-000	10 x 1/2 PH, NPLT, TAPPING SCREW	6	EA	
12	025099-000	INNER DOOR GLASS, 30"	1	EA	
13	L20014077	30" WINDOW HOLDER	1	EA	
14	046000-000	HINGE, NUOVA STAR, BLUE	2	EA	
15	046030-000	RETAINER, INSL, 36" INSIDE	1	EA	
16	046051-000	INSULATION, LINER, DOOR, 36"	1	EA	
17	PD020063	SCREW-#8(A) X 3/8"PH WFR HD/BK OXID	4	EA	
18	PD020033	SRW-#10-24X1/2"T(23)PH.WFR HD (NKL)	3	EA	
19	043688-402	PNL,LINER, WA, 36" BK	1	EA	
20	046651-000	SCREW, TRILOBE, 10-32, TRUSS, PH, BLACK	2	EA	
21	061691-000	RETAINER, INSULATION, DOOR, 36"	1	EA	
22	PB070014	DOOR GLASS SEAL STRIP - WINDOW DRS.	4.88ft	EA	

Wiring Diagram

**(C)VGIC5301-4B  
(C)VGIC5361-6B  
WIRING DIAGRAM**





Item	Part No.	Name	Qty	Uom	NOTES
1	059962-000	DIAG, W, VGIC53014B/VGIC53616B	1	EA	

GUARANTEEDPARTS.COM





Appendix A:Pages Index

Bottom Cavity View ..... 1  
Control View ..... 7  
Decor View ..... 5  
Door View ..... 9  
Electrical View ..... 8  
Gas Asm View ..... 6  
Sides and Interior Cavity View ..... 2  
Surface Cooking View ..... 4  
Top and Rear Cavity Vie ..... 3  
Wiring Diagram .....10

GUARANTEEDPARTS.COM



## Appendix B:Parts Index

002884-000	6	021309-6765	5
003011-000	9	021309-6797	5
003012-000	9	021309-6871	5
003719-000	8, 8	021309-7024	5
003860-000	1, 3, 4, 9	021309-7070	5
004526-000	9	021309-7585	5
004907-000	9	021309-7652	5
005536-000	2	021309-7674	5
006080-000	9	021309-9178	5
007147-000	6	021310-002	5
007378-000	8	021310-005	5
008026-000	2	021310-006	5
009112-000	6	021310-008	5
013386-000	6	021310-013	5
013580-402	2	021310-024	5
014747-000	1	021310-2801	5
015170-000	8	021310-2847	5
015485-000	4	021310-6180	5
015486-000	6	021310-6258	5
015493-000	6	021310-6421	5
015529-000	6	021310-6765	5
015784-000	6	021310-6797	5
016952-000	6	021310-6871	5
017140-000	4	021310-7024	5
019123-000	5	021310-7070	5
019124-000	5	021310-7585	5
020409-000	2	021310-7652	5
020412-000	2	021310-7674	5
020604-000	1	021310-9178	5
021309-002	5	023040-000	8
021309-005	5	023750-000	8
021309-006	5	024010-000	7
021309-008	5	024011-000	7
021309-013	5	025098-000	8
021309-024	5	025099-000	9
021309-2801	5	027915-000	6
021309-2847	5	030823-000	9
021309-6180	5	031445-402	2
021309-6258	5	035795-000	8
021309-6421	5	036193-000	8
		037304-000	2, 3, 6

040736-000	3	049878-000	8, 8
042287-000	5	050794-000	1
042323-002	5	052632-000	2
042323-005	5	056034-000	8
042323-006	5	058554-000	6
042323-008	5	058604-000	4
042323-013	5	058659-603	8
042323-024	5	058659-604	8
042323-2801	5	058704-000	8
042323-2847	5	059004-2071	7
042323-6180	5	059160-000	3
042323-6258	5	059489-000	2
042323-6421	5	059914-000	4
042323-6765	5	059956-000	8
042323-6797	5	059957-000	8
042323-6871	5	059958-000	8
042323-7024	5	059962-000	10
042323-7070	5	061228-000	6
042323-7585	5	061229-000	6
042323-7652	5	061691-000	9
042323-7674	5	062186-000	5
042323-9178	5	062341-000	9
043276-000	6	062400-000	5
043453-000	8	062988-000	3
043688-402	9	062989-000	3
043730-000	1	063759-2809	7
043800-000	2	064189-000	2
044178-000	5	064191-000	2
044236-000	6	064534-000	7
045060-000	2	065159-000	3
045403-000	9	065342-000	4
045548-000	8	065346-000	4
046000-000	9	065857-000	8
046019-000	2	066199-000	4
046030-000	9	066210-000	2
046051-000	9	066225-402	5
046651-000	2, 9	066982-000	6
046677-000	2	067027-000	4
046935-000	1	067205-000	4
048028-000	6	067206-000	4
049578-000	4	067238-000	4

067290-000	8	A2005525	2
068449-000	9	G4000936	8
068455-002	9	G50013584BK	4
068455-005	9	G9105526BK	2
068455-006	9	L20014077	9
068455-008	9	PA020028	6
068455-013	9	PA030002BK	4
068455-024	9	PA070003	6
068455-2801	9	PB040027	6
068455-2847	9	PB040040	6
068455-6180	9	PB040053	6
068455-6258	9	PB040170	8
068455-6421	9	PB040171	8
068455-6765	9	PB040178	6
068455-6797	9	PB070014	9
068455-6871	9	PC030007	1
068455-7024	9	PD010012	6
068455-7070	9	PD020033	9
068455-7585	9	PD020046	3
068455-7652	9	PD020063	9
068455-7674	9	PD020073	4, 9
068455-9178	9	PD030018	6
068653-601	8	PD950013	7
069682-000	3	PE050206	8
071638-402	3	PE070069	3
072508-000	3	PJ030039	8
072523-000	2, 3		
072525-000	3		
072529-2256	7		
072597-000	4		
072598-000	4		
072789-000	7		
073315-000	4		
079905-000	8		
082407-000	3		
084115-000	6		
084116-000	6		
085109-000	6		
A20014089	8		
A2004428	2		
A2004429	1		