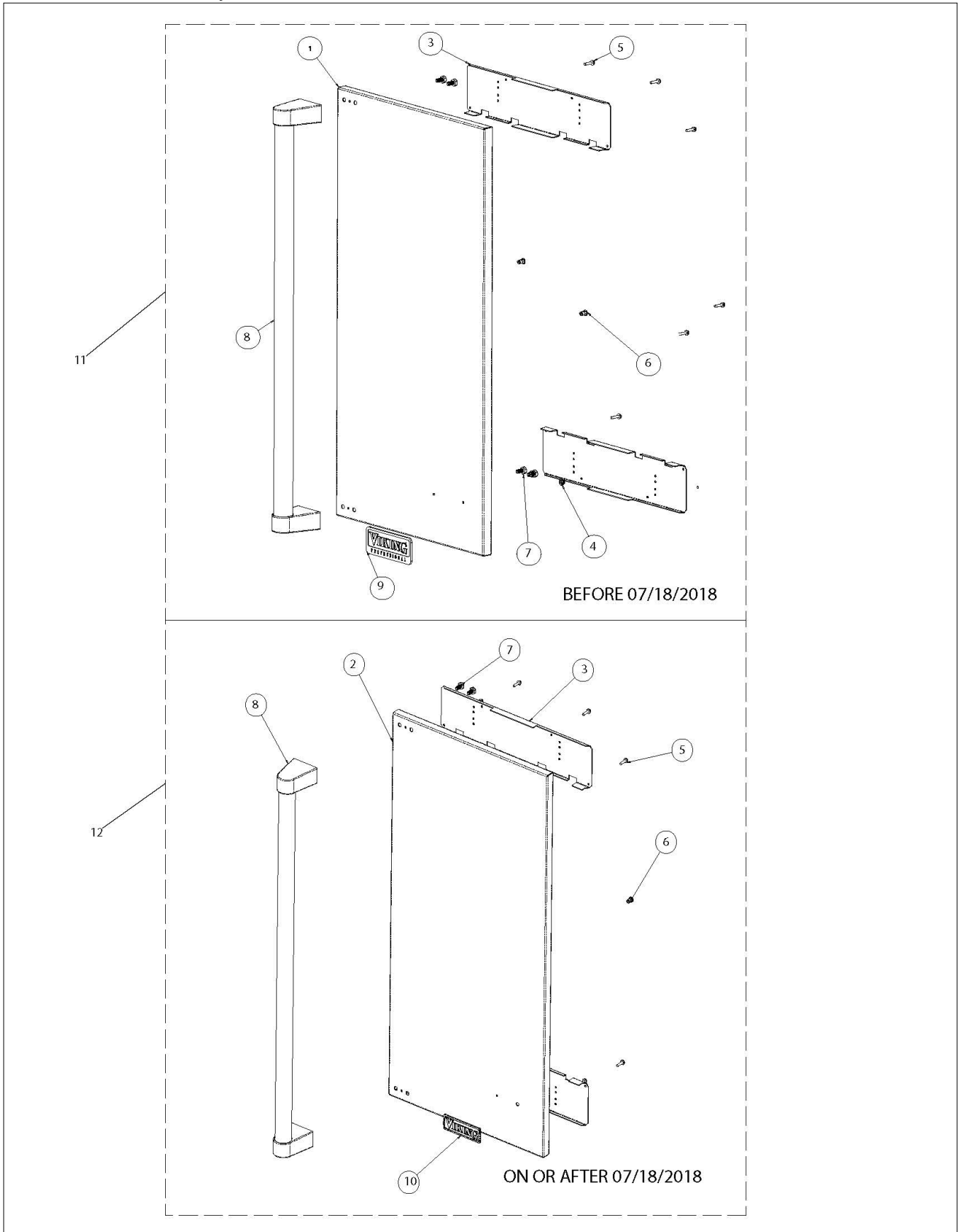


FPNI515 Pump Model nugget IM

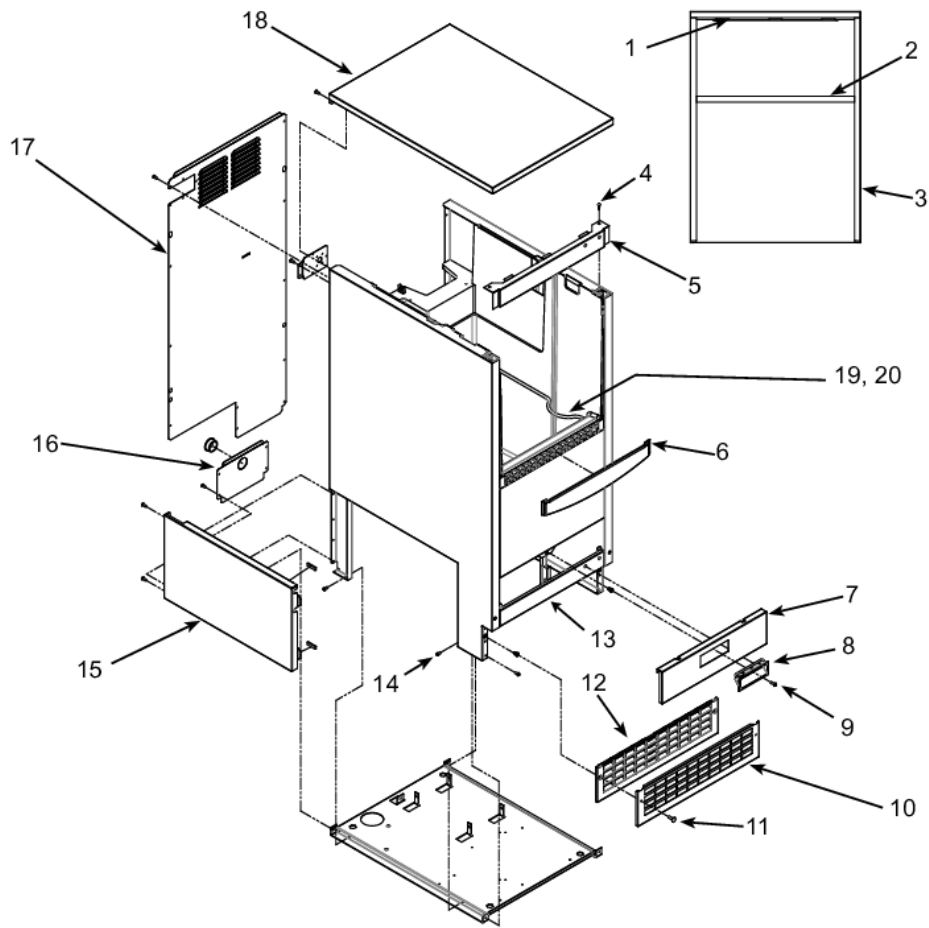
PIDP515 Panel Assembly	1
CABINET	2
ICE MAKING	3
CONTROL SYSTEM	4
DOOR COMPONENTS	5
STORAGE BIN AND ICE CHUTE	6
RESERVOIR	7
REFRIGERATION	8
FPNI515 Under Bin Parts	9
Appendix A:Pages Index	A
Appendix B:Parts Index	B

PIDP515 Panel Assembly



Item	Part No.	Name	Qty	Uom	NOTES
1	062464-000	SKIN, DOOR, PRO, RH	1	EA	
	NOTE	(BEFORE 07/18/2018)		EA	
1	062473-000	SKIN, DOOR, PRO, LH	1	EA	
	NOTE	(BEFORE 07/18/2018)		EA	
2	067992-000	SKIN, DOOR, PRO, RH	1	EA	
	NOTE	(ON OR AFTER 07/18/2018)		EA	
2	067994-000	SKIN, DOOR, PRO, LH	1	EA	
	NOTE	(ON OR AFTER 07/18/2018)		EA	
3	024031-000	DOOR, BRACE, TOP/BOTTOM	2	EA	
4	PD030006	CAPPED WASHER PAL NUT	2	EA	
	NOTE	(BEFORE 07/18/2018)		EA	
5	025964-000	SCREW, 8-32 X 5/8 HEX WASHER ZINC F	8	EA	
6	024118-000	FASTENER,RIVNUT,8-32 THREAD	2	EA	
7	035647-000	BOLT, FASTENER, HXH, SST	4	EA	
8	062462-000	HANDLE, DOOR, ASM, PRO	1	EA	
9	PE010016	LOGO (ALL RANGES) *BK/CHR 307997W	1	EA	
	NOTE	(BEFORE 07/18/2018)		EA	
10	062341-000	NAMEPLATE, VIKING, 3.500", W/LOC PINS 5 SERIES	1	EA	
	NOTE	(ON OR AFTER 07/18/2018)		EA	
11	062472-000	DOOR SKIN ASM PRO RH	1	EA	
	NOTE	(BEFORE 07/18/2018)		EA	
11	062474-000	DOOR SKIN ASM PRO LH	1	EA	
	NOTE	(BEFORE 07/18/2018)		EA	
12	067993-000	SKIN, DOOR, ASM, PRO, RH	1	EA	
	NOTE	(ON OR AFTER 07/18/2018)		EA	
12	067995-000	SKIN, DOOR, ASM, PRO, LH	1	EA	
	NOTE	(ON OR AFTER 07/18/2018)		EA	

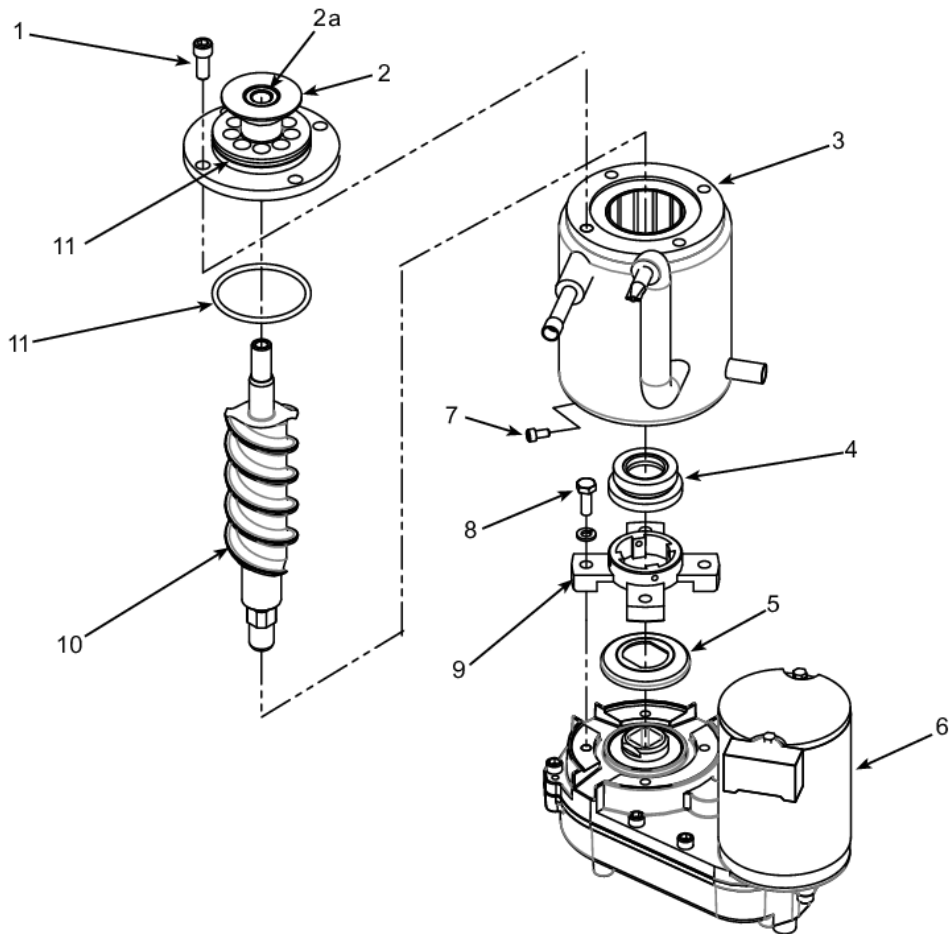
CABINET





Item	Part No.	Name	Qty	Uom	NOTES
1	022597-000	FRONT GASKET	1	EA	
2	022599-000	MIDDLE GASKET	1	EA	
3	022598-000	SIDE GASKET	1	EA	
4	022569-000	SCREW	1	EA	
5	022611-000	TOP HINGE BRKT, RH SS	1	EA	
5	022612-000	TOP HINGE BRKT, LH SS	1	EA	
6	022551-000	BIN EDGING	1	EA	
7	022625-000	SERVICE PANEL, SS	1	EA	
8	022525-000	HOLE PLUG	1	EA	
9	022563-000	SCREW	1	EA	
10	022620-000	KICKPLATE, SS	1	EA	
11	022567-000	SCREW, SS	1	EA	
12	022549-000	KICKPLATE	1	EA	
13	022622-000	BTM HINGE BRKT, RIGHT SS	1	EA	
13	022623-000	BTM HINGE BRKT, LEFT SS	1	EA	
14	022565-000	SCREW	1	EA	
15	046797-000	Side service panel	1	EA	
16	046800-000	Drain panel	1	EA	
17	051853-000	BACK PANEL	1	EA	
18	022624-000	TOP PANEL, SS	1	EA	
18a	051855-000	TOP PANEL INSULATION	1	EA	
19	022606-000	BIN STAT BRACKET/SCOOP HLDR	1	EA	
20	022550-000	SCOOP	1	EA	
NI	044176-000	POWER CORD	1	EA	
NI	057533-000	Lo Voltage Harness/Transformer to Board	1	EA	Not available online / Call for pricing and availability
NI	057534-000	Hi Voltage Harness	1	EA	Not available online / Call for pricing and availability

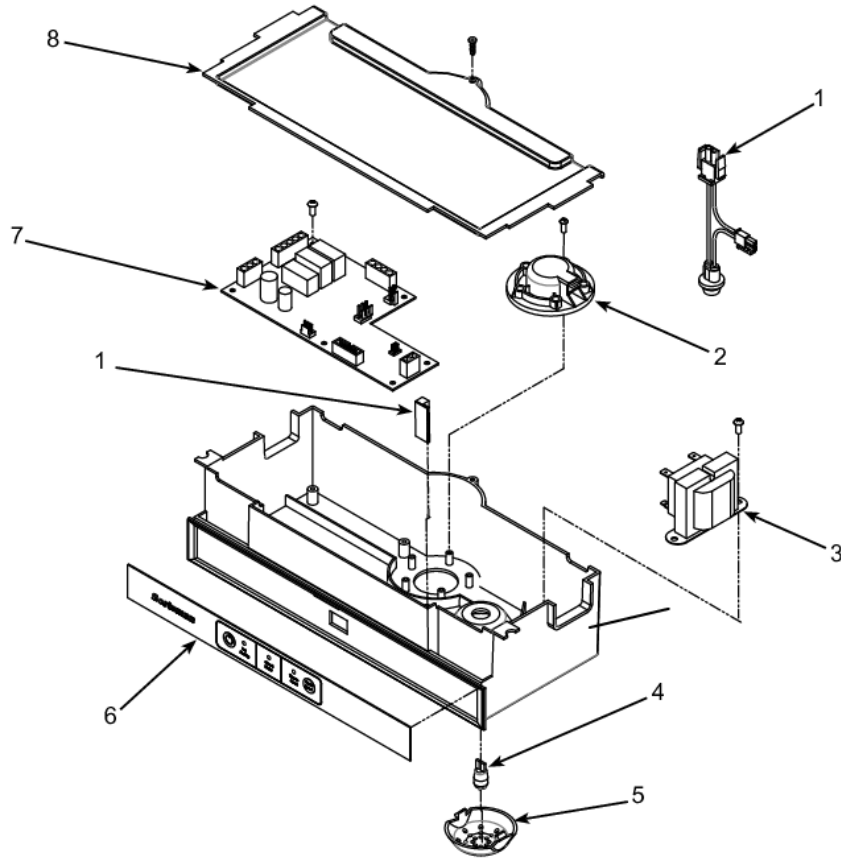
ICE MAKING





Item	Part No.	Name	Qty	Uom	NOTES
1	046756-000	Cap screw	4	EA	
2	046795-000	Breaker w/bearing	1	EA	
2a	046744-000	Bearing only	1	EA	
3	046737-000	Evaporator	1	EA	
4	046743-000	Water seal	1	EA	
5	046747-000	Water shed	1	EA	
6	046739-000	Gear reducer complete	1	EA	
7	046755-000	Cap screw	1	EA	
8	046752-000	Cap screw	4	EA	
9	046745-000	Adapter	1	EA	
10	046742-000	Auger	1	EA	
11	046777-000	O-ring	1	EA	

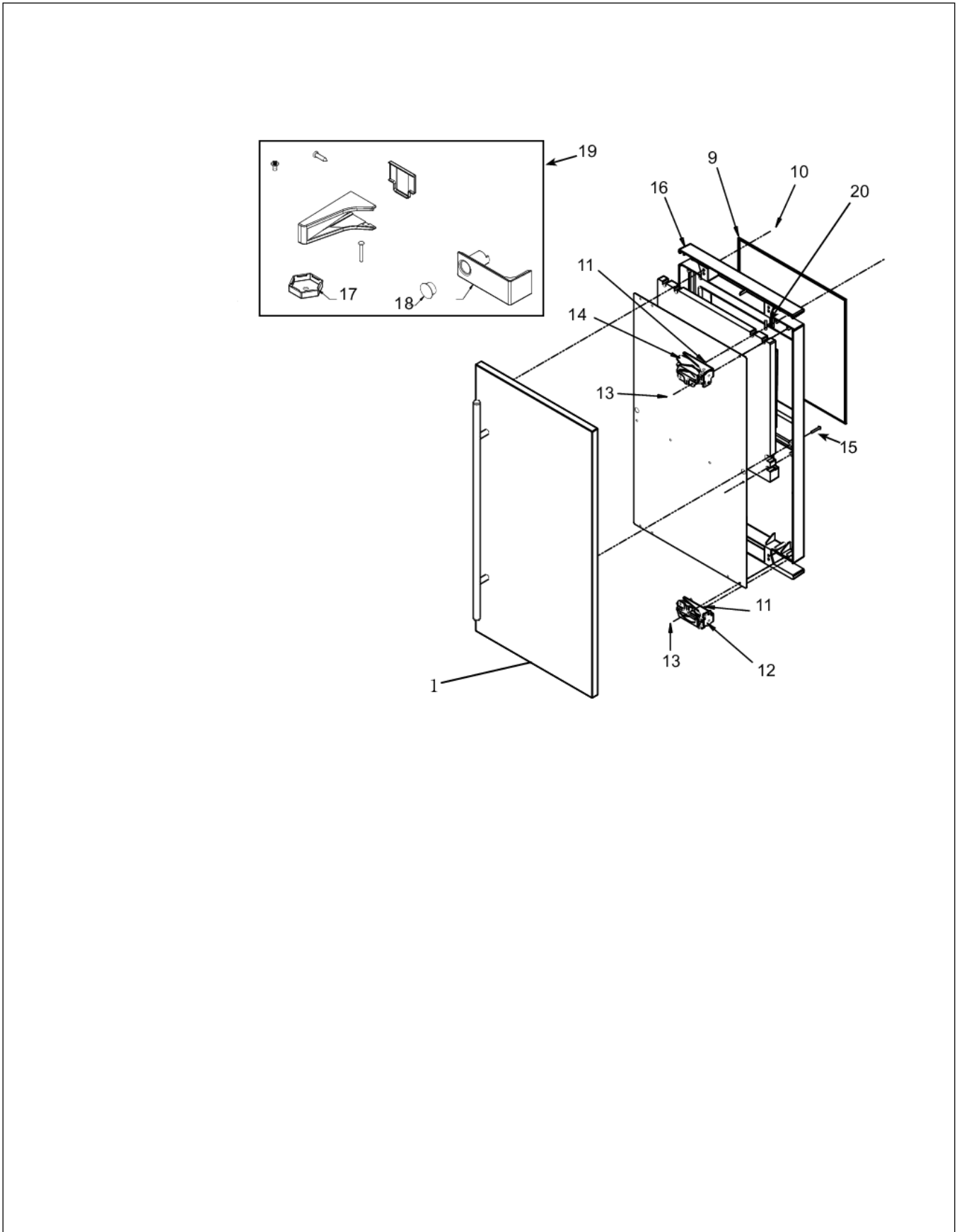
CONTROL SYSTEM





Item	Part No.	Name	Qty	Uom	NOTES
1	022586-000	BIN LIGHT SENSOR		EA	
2	046768-000	Ice level sensor		EA	
3	022583-000	TRANSFORMER		EA	
4	022584-000	BULB		EA	
5	022542-000	LIGHT COVER		EA	
6	051856-000	MEMBRANE		EA	
7	046769-000	Controller		EA	
8	022548-000	COVER		EA	
NI	044176-000	POWER CORD		EA	
9	062555-000	Control Box		EA	

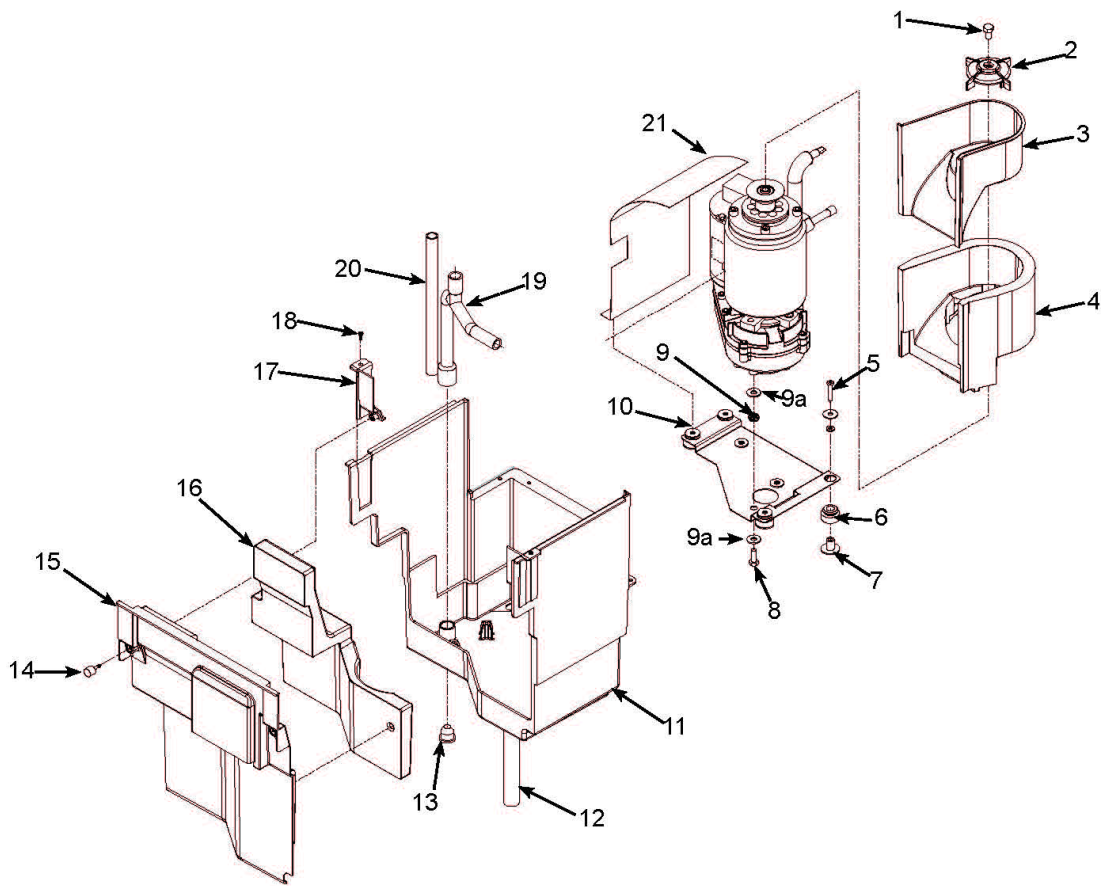
DOOR COMPONENTS





Item	Part No.	Name	Qty	Uom	NOTES
1	PIDP515R	SALES ITEM		EA	
	NOTE	(SEE PIDP515 PANEL ASSEMBLY PAGE FOR BREAKDOWN)			
1	PIDP515L	SALES ITEM		EA	
	NOTE	(SEE PIDP515 PANEL ASSEMBLY PAGE FOR BREAKDOWN)			
9	022633-000	DOOR GASKET		EA	
10	022631-000	SCREW		EA	
11	022632-000	SCREW-HINGE TO CABINET		EA	
12	022627-000	HINGE-TOP LEFT/BOTTOM RIGHT		EA	
13	022630-000	SCREW-HINGE TO DOOR		EA	
14	022628-000	HINGE-TOP RIGHT/BOTTOM LEFT		EA	
15	022629-000	SCREW		EA	
16	022635-000	DOOR ASSEMBLY, DOES NOT INCLUDE DOOR PANEL OR HINGES		EA	
17	022555-000	LEG CAP, PACK OF 4		EA	
18	022626-000	HOLE PLUG - WHITE		EA	
19	022560-000	HINGE COVER PACKAGE/HARDWARE		EA	
20	046708-000	Magnet, door switch		EA	

STORAGE BIN AND ICE CHUTE

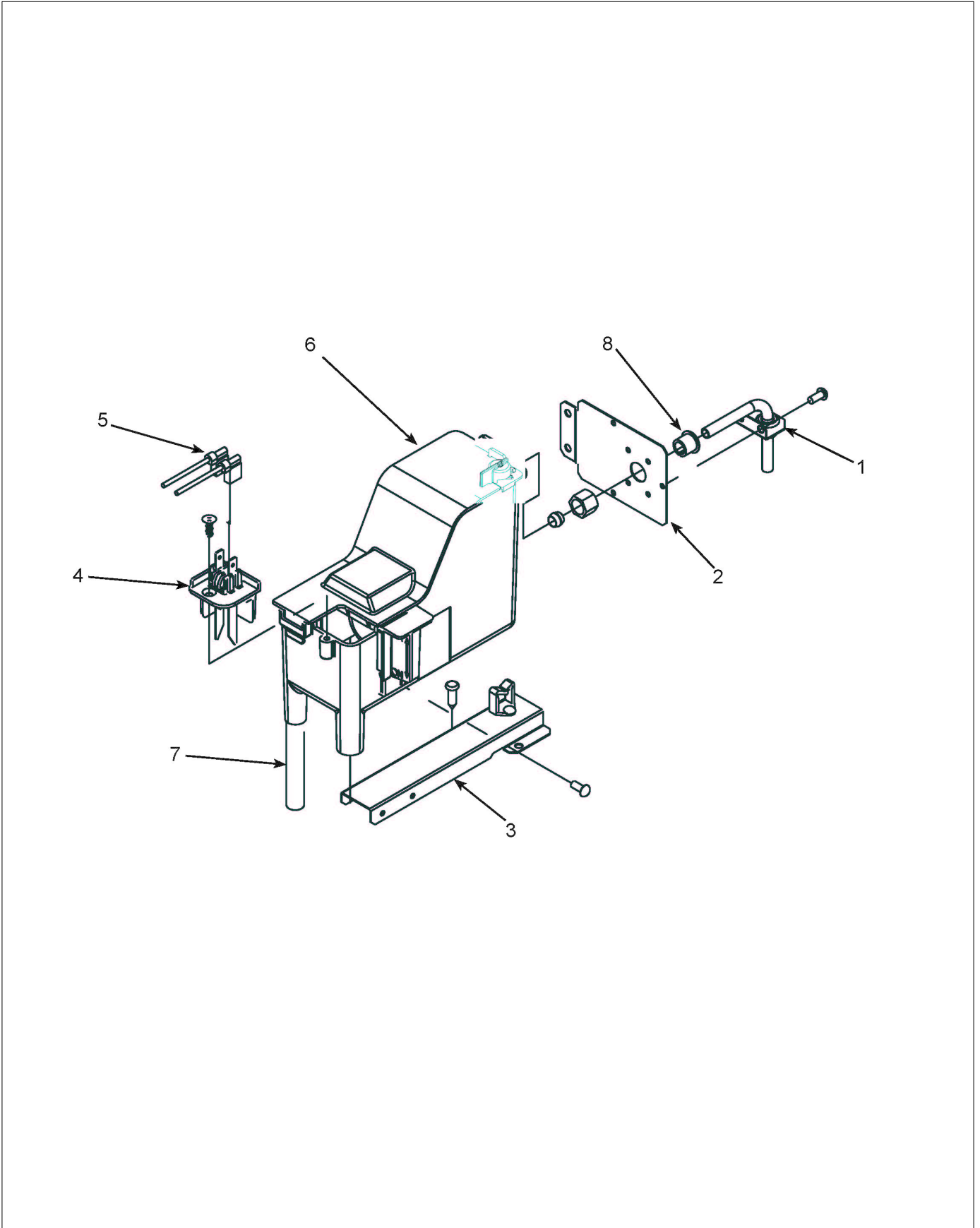


Item	Part No.	Name	Qty	Uom	NOTES
1	046751-000	Screw, 5/16-18	1	EA	
2	046746-000	Ice sweep	1	EA	
3	046736-000	ICE CHUTE KIT	1	EA	
	NOTE	(BEFORE 09/25/2013)		EA	
	NOTE	(INCLUDES ITEMS 3, 4, 15, AND 16)		EA	
3	084685-000	CHUTE	1	EA	
	NOTE	(AFTER 09/25/2013 OR ICE CHUTE KIT PREVIOUSLY INSTALLED)		EA	
4	046736-000	ICE CHUTE KIT	1	EA	
	NOTE	(BEFORE 09/25/2013)		EA	
	NOTE	(INCLUDES ITEMS 3, 4, 15, AND 16)		EA	
4	084686-000	CHUTE COVER	1	EA	
	NOTE	(AFTER 09/25/2013 OR ICE CHUTE KIT PREVIOUSLY INSTALLED)		EA	
5	046749-000	Screw	1	EA	
6	046762-000	Grommet	1	EA	
7	046763-000	Flanged bushing	1	EA	
8	046750-000	Cap screw	1	EA	
9	046764-000	Vibration grommet	1	EA	
9a	046753-000	Washer	1	EA	
10	046798-000	Mounting plate only	1	EA	
11	046740-000	Shelf, gear and evap asy	1	EA	
12	046803-000	Drain	1	EA	
13	046778-000	Drain plug	1	EA	
14	022570-000	THUMB SCREW	1	EA	
15	046736-000	ICE CHUTE KIT	1	EA	
	NOTE	(BEFORE 09/25/2013)		EA	
	NOTE	(INCLUDES ITEMS 3, 4, 15, AND 16)		EA	
15	046741-000	COMPARTMENT COVER	1	EA	
	NOTE	(AFTER 09/25/2013 OR ICE CHUTE KIT PREVIOUSLY INSTALLED)		EA	



Item	Part No.	Name	Qty	Uom	NOTES
16	046736-000	ICE CHUTE KIT	1	EA	
	NOTE	(BEFORE 09/25/2013)		EA	
	NOTE	(INCLUDES ITEMS 3, 4, 15, AND 16)		EA	
16	084687-000	INSULATION FOR COMPARTMENT COVER	1	EA	
	NOTE	(AFTER 09/25/2013 OR ICE CHUTE KIT PREVIOUSLY INSTALLED)		EA	
17	022539-000	EVAP BRACKET, RIGHT	1	EA	
	022573-000	EVAP BRACKET, LEFT	1	EA	
18	022569-000	SCREW	1	EA	
19	046738-000	Tube, reservoir to evap	1	EA	
20	072692-000	OVERFLOW HOSE	1	EA	
21	072694-000	SHIELD	1	EA	

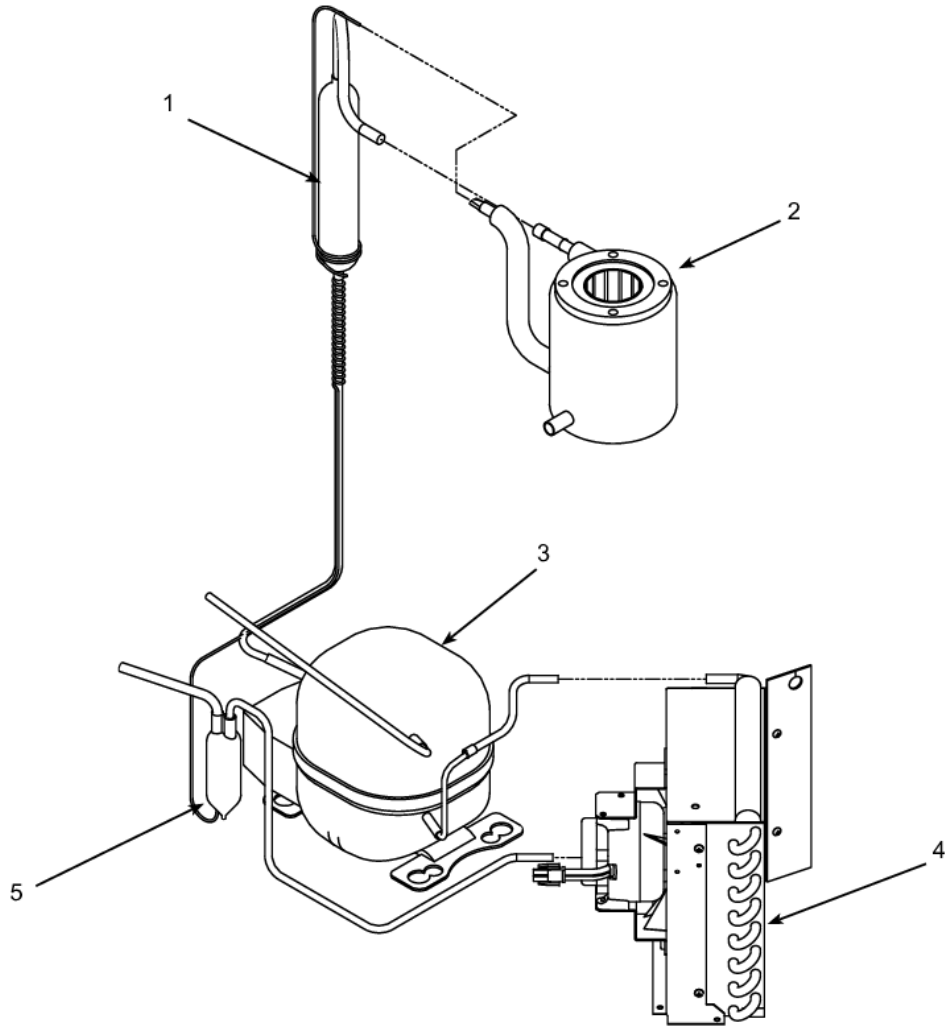
RESERVOIR





Item	Part No.	Name	Qty	Uom	NOTES
1	046801-000	Bracket (INCLUDES BRACE)	1	EA	
2	046801-000	Bracket (INCLUDES BRACE)	1	EA	
3	046802-000	Reservoir mounting bracket	1	EA	
4	046805-000	Water level sensor	1	EA	
5	046774-000	Water sensor harness	1	EA	
6	046804-000	Reservoir w/valve and cover	1	EA	
NI	046719-000	Float and valve only	1	EA	
7	072692-000	OVERFLOW HOSE	1	EA	
8	072693-000	BUSHING	1	EA	

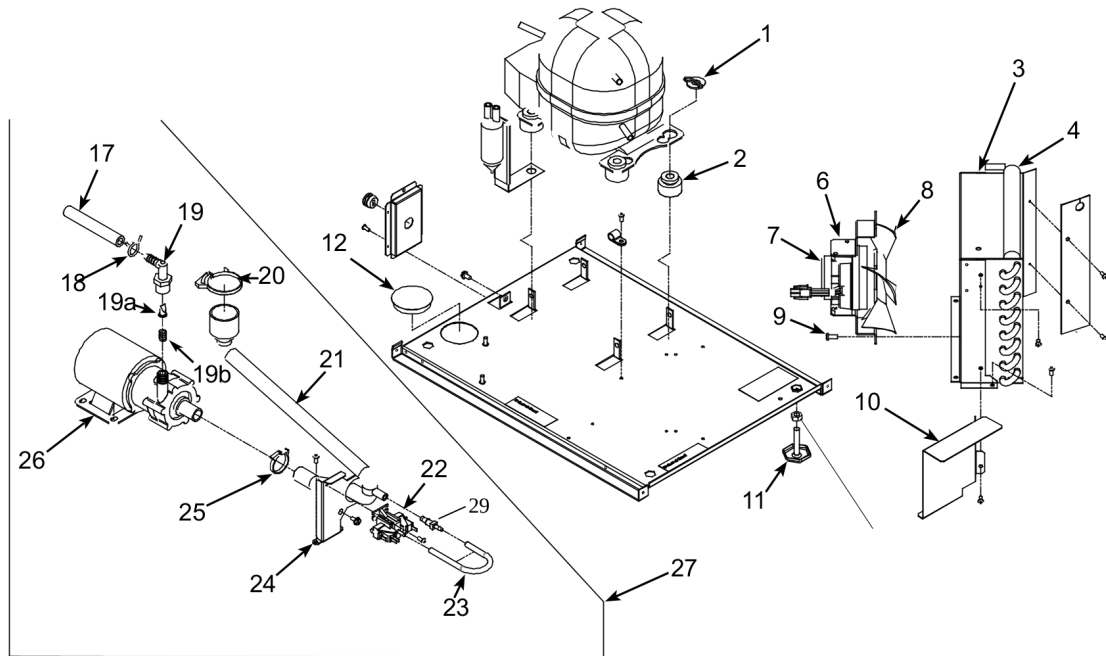
REFRIGERATION





Item	Part No.	Name	Qty	Uom	NOTES
1	046791-000	Suction line w/cap tube	1	EA	
2	046737-000	Evaporator	1	EA	
3	046782-000	Compressor	1	EA	
	NOTE	(COMPRESSOR INCLUDES OVERLOAD, RELAY AND DRYER)		EA	
3a	046784-000	Overload	1	EA	
3b	046783-000	Relay	1	EA	
4	022605-000	CONDENSER	1	EA	
5	046723-000	Dryer	1	EA	

FPNI515 Under Bin Parts





Item	Part No.	Name	Qty	Uom	NOTES
1	022568-000	CLIP	1	EA	
NI	022564-000	WASHER	1	EA	
2	022601-000	GROMMET	1	EA	
3	022619-000	FAN SHROUD	1	EA	Not available online / Call for pricing and availability
4	022596-000	GASKET	1	EA	
6	022621-000	FAN MOTOR BRACKET	1	EA	
7	022593-000	FAN MOTOR	1	EA	
8	022532-000	FAN BLADE	1	EA	
9	022632-000	SCREW-HINGE TO CABINET	1	EA	
10	046806-000	Pump model rain shield	1	EA	
11	022566-000	LEG LEVELER	4	EA	
12	022526-000	HOLE PLUG	1	EA	
17	022607-000	DISCHARGE HOSE	1	EA	
18	022524-000	HOSE CLAMP	1	EA	
19	022531-000	ELBOW	1	EA	Not available online / Call for pricing and availability
19a	022529-000	CHECK VALVE	1	EA	
19b	022571-000	SPRING	1	EA	
20	022528-000	HOSE CLAMP	1	EA	
21	022553-000	DRAIN TUBE	1	EA	
22	022574-000	PRESSURE SWITCH	1	EA	
23	022572-000	SWITCH HOSE	1	EA	
24	022613-000	SWITCH BRACKET	1	EA	
25	022528-000	HOSE CLAMP	1	EA	
26	022582-000	PUMP & MOTOR ONLY	1	EA	
27	DPFGIM	PUMP KIT	1	EA	
28	073815-000	HEX INSERT	4	EA	
29	022530-000	BARBED CONNECTOR	1	EA	



Appendix A:Pages Index

CABINET	2
CONTROL SYSTEM	4
DOOR COMPONENTS	5
FPNI515 Under Bin Parts	9
ICE MAKING	3
PIDP515 Panel Assembly	1
REFRIGERATION	8
RESERVOIR	7
STORAGE BIN AND ICE CHUTE	6



Appendix B:Parts Index

022524-000	9	022606-000	2
022525-000	2	022607-000	9
022526-000	9	022611-000	2
022528-000	9, 9	022612-000	2
022529-000	9	022613-000	9
022530-000	9	022619-000	9
022531-000	9	022620-000	2
022532-000	9	022621-000	9
022539-000	6	022622-000	2
022542-000	4	022623-000	2
022548-000	4	022624-000	2
022549-000	2	022625-000	2
022550-000	2	022626-000	5
022551-000	2	022627-000	5
022553-000	9	022628-000	5
022555-000	5	022629-000	5
022560-000	5	022630-000	5
022563-000	2	022631-000	5
022564-000	9	022632-000	5, 9
022565-000	2	022633-000	5
022566-000	9	022635-000	5
022567-000	2	024031-000	1
022568-000	9	024118-000	1
022569-000	2, 6	025964-000	1
022570-000	6	035647-000	1
022571-000	9	044176-000	2, 4
022572-000	9	046708-000	5
022573-000	6	046719-000	7
022574-000	9	046723-000	8
022582-000	9	046736-000	6, 6, 6, 6
022583-000	4	046737-000	3, 8
022584-000	4	046738-000	6
022586-000	4	046739-000	3
022593-000	9	046740-000	6
022596-000	9	046741-000	6
022597-000	2	046742-000	3
022598-000	2	046743-000	3
022599-000	2	046744-000	3
022601-000	9	046745-000	3
022605-000	8	046746-000	6
		046747-000	3



FPNI515 Pump Model nugget IM

046749-000	6	067992-000	1
046750-000	6	067993-000	1
046751-000	6	067994-000	1
046752-000	3	067995-000	1
046753-000	6	072692-000	6, 7
046755-000	3	072693-000	7
046756-000	3	072694-000	6
046762-000	6	073815-000	9
046763-000	6	084685-000	6
046764-000	6	084686-000	6
046768-000	4	084687-000	6
046769-000	4	DPFGIM	9
046774-000	7	PD030006	1
046777-000	3	PE010016	1
046778-000	6	PIDP515L	5
046782-000	8	PIDP515R	5
046783-000	8		
046784-000	8		
046791-000	8		
046795-000	3		
046797-000	2		
046798-000	6		
046800-000	2		
046801-000	7, 7		
046802-000	7		
046803-000	6		
046804-000	7		
046805-000	7		
046806-000	9		
051853-000	2		
051855-000	2		
051856-000	4		
057533-000	2		
057534-000	2		
062341-000	1		
062462-000	1		
062464-000	1		
062472-000	1		
062473-000	1		
062474-000	1		
062555-000	4		