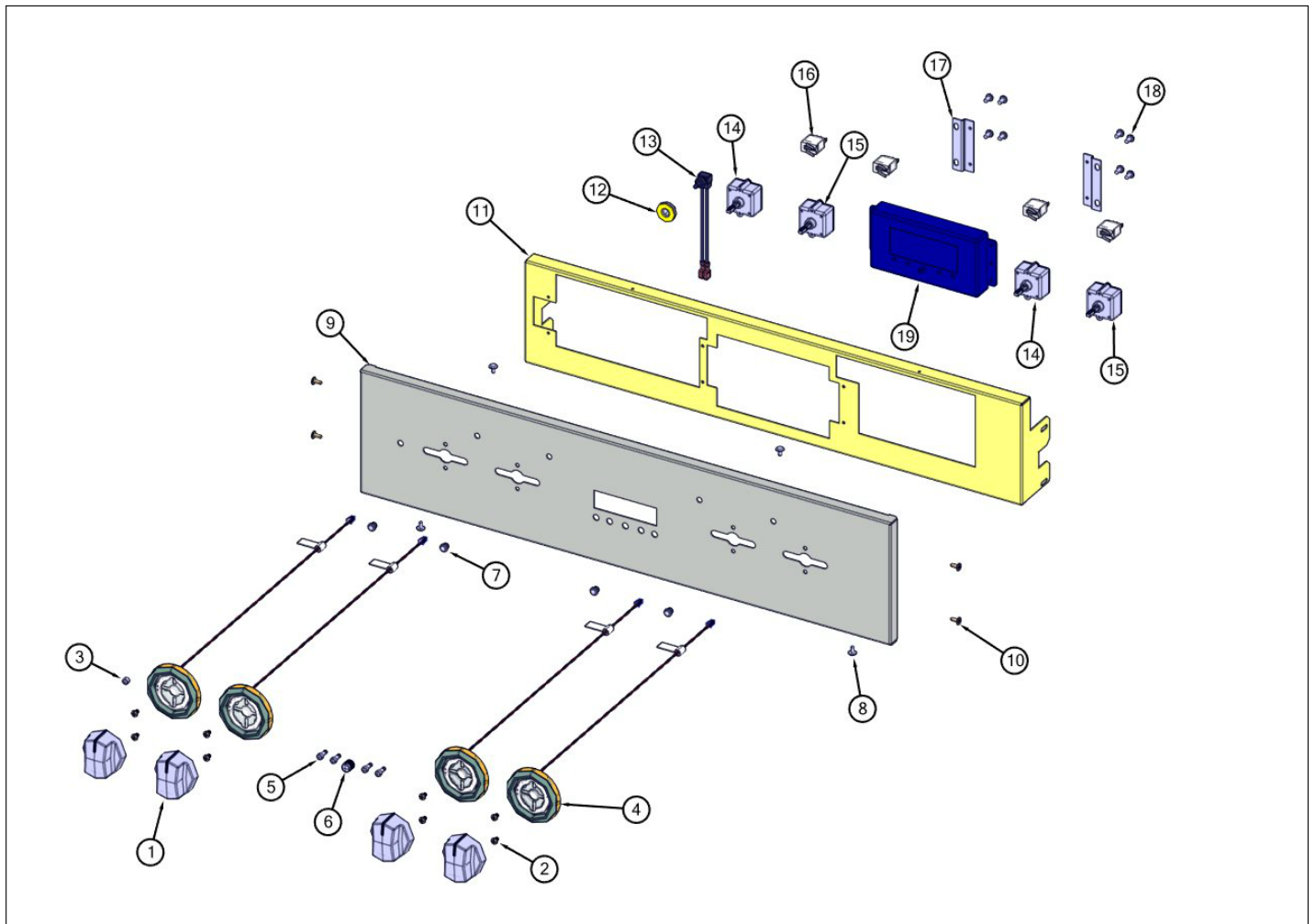


**VDOF7301SS**

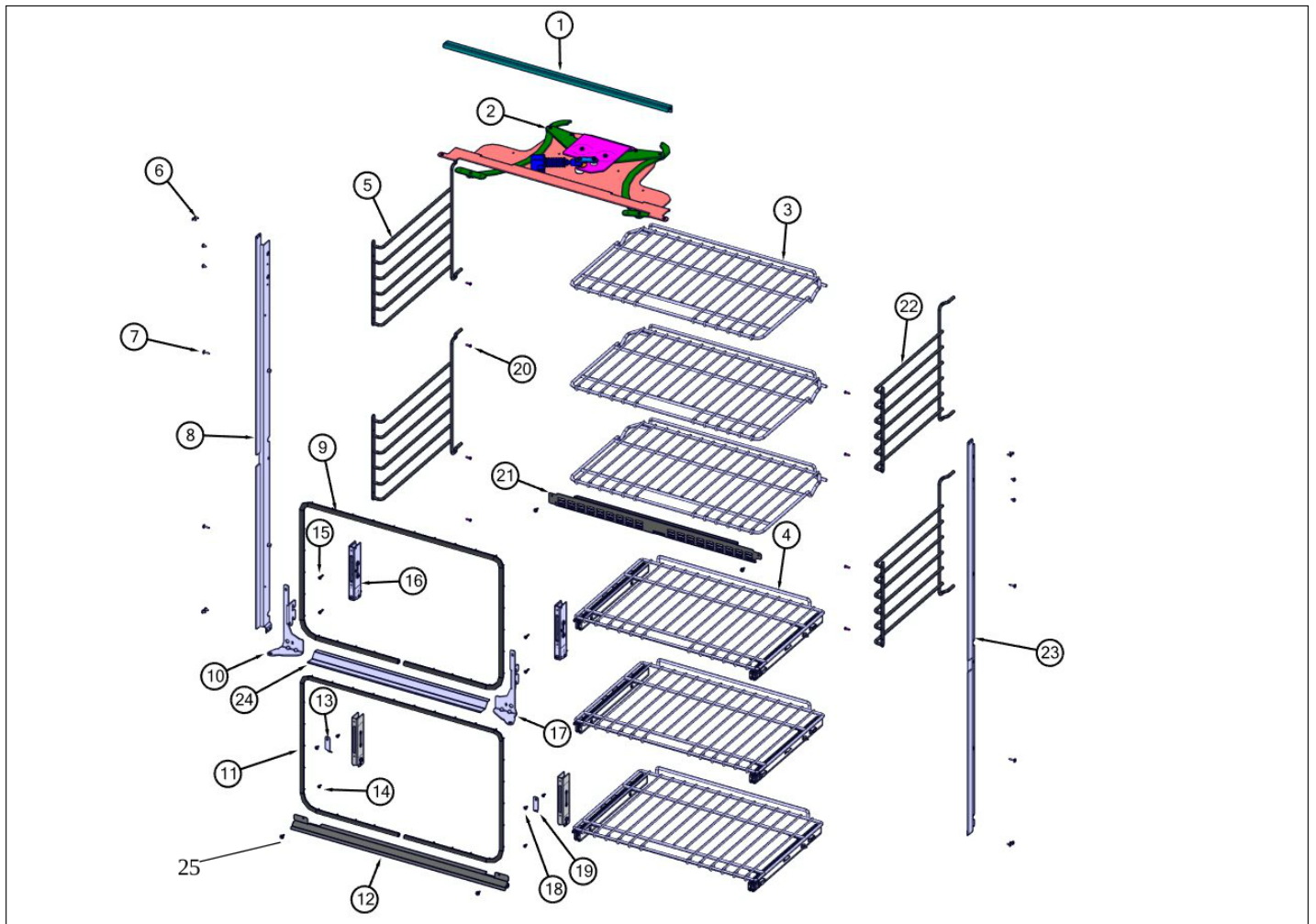
Control View .....	1
Decor View .....	2
Lower Oven View .....	3
Upper Oven View .....	4
Chassis View .....	5
Lower Oven Electrical View .....	6
Upper Oven Electrical View .....	7
Lower Oven Door View .....	8
LH Upper Oven Door View .....	9
RH Upper Oven Door View .....	10
Wiring View .....	11
Wiring Harness View .....	12
Lower Oven Wiring Diagram View .....	13
Upper Oven Wiring Diagram View .....	14
Appendix A:Pages Index .....	A
Appendix B:Parts Index .....	B

Control View



Item	Part No.	Name	Qty	Uom	NOTES
1	064101-2095	KNOB, WO, PRO ASSY, BLACK CHROME, W/GRAPHICS	4	EA	
2	PD020269	#8 PAN HEAD SCREW	8	EA	
3	PA010093	DESIGNER OVEN LT SWITCH KNOB	1	EA	
4	059049-000	BEZEL, LIGHTED, RING, BLUE, ASSY	4	EA	
5	PB010315	DES. CLOCK BUTTON	4	EA	
6	036423-000	KNOB BIT GEN CR3	1	EA	
7	085982-000	LENS, CONVEX, BLUE	4	EA	PART NO LONGER HAS BEZEL. REPLACE ALL IF ORIGINAL HAS BEZEL.
8	PD020032	SRW-8(A)X3/8"PH.WFR HD 7/16DIA*NICL	4	EA	
9	057954-2774	PANEL, CTRL, VDOF, CLN, STM, W/GRAPHICS	1	EA	
10	003083-000	#8-18 x 1/2" PHIL FLAT TOP TRUSS HD AB SCREW	4	EA	
11	046296-000	PNL, CTRL, BACK, FD	1	EA	
12	036576-000	LIGHT SWITCH ASM	1	EA	
13	G40015469	LIGHT SWITCH ASSEMBLY	1	EA	
14	PJ030033	SELECTOR (10 POS)	2	EA	
15	PJ030035	THERMOSTAT	2	EA	
16	043135-000	HOUSING, LIGHT, LED, BLUE, 3.3V	4	EA	
17	025058-000	BRACKET, CLOCK	2	EA	
18	PD020004	10X3/8PH.HD.TYPE 25 REPL PD040125	8	EA	
19	082157-000	DISPLAY, CLOCK, TOD3, 14PIN, V35	1	EA	

Decor View



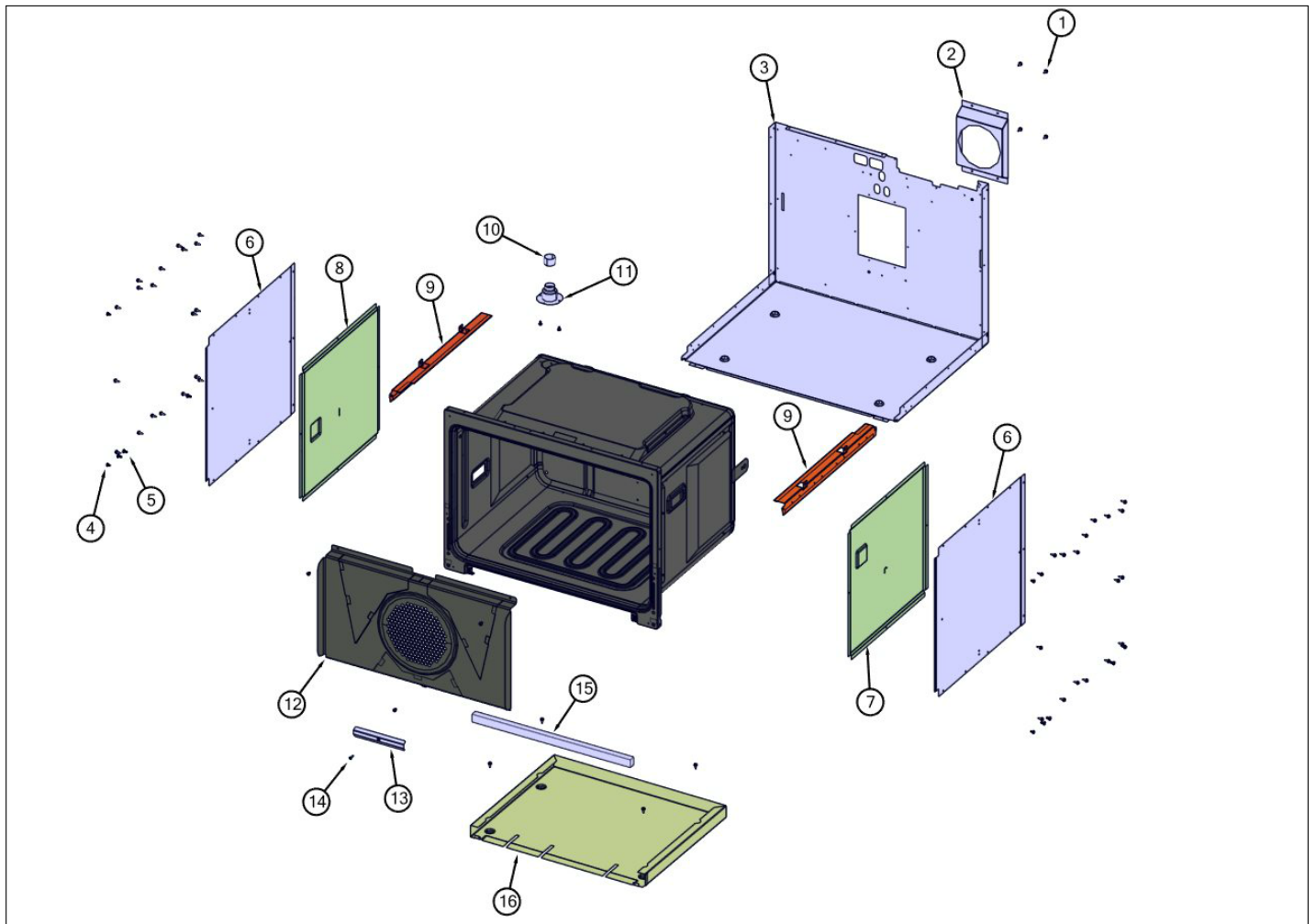
Item	Part No.	Name	Qty	Uom	NOTES
1	024253-000	TRIM, TOP, 30"	1	EA	
2	045553-000	CLOSER, FD	1	EA	
3	065847-000	RACK, DF, PRO, 30" W/HDL	3	EA	
4	065947-000	RACK, GLIDE, WO, 30" W/HDL	3	EA	
5	066227-402	RACK, SUPPORT, D3, ASM, LH, BK	2	EA	
6	M0215318	SCREW-SM	4	EA	
7	025494-000	SCR, PHLP, TRH, SLF-DLNG, #8-18x3/4"	4	EA	
8	024257-000	TRIM,EXTD,LH, DBL	1	EA	
9	051597-000	GASKET, LINER, DF, ASM, 30", FD	1	EA	
10	045596-000	PIVOT, HINGE, LOWER, LH (INCLUDES FLANGE BEARING)	1	EA	
11	051590-000	GASKET, LINER, DF, ASM, 30"	1	EA	
12	025063-002	VENT, DFTR, 30"	1	EA	
13	086481-000	Hinge Clip Kit (contains right and left clips in black)	1	each	
14	PD020062	#8-32 X 3/8 PHMS TYPE 1	4	EA	
15	PD020232	#8 X 3/4" PH PAN HEAD TEK SCREW (BLACK OXIDE)	4	EA	
16	031679-000	RECEPTACLE, HINGE	2	EA	
17	045595-000	PIVOT, HINGE, LOWER, RH (INCLUDES FLANGE BEARING)	1	EA	
18	M0210443	SCREW-E SM VM0210443	2	EA	
19	086481-000	Hinge Clip Kit (contains right and left clips in black)	1	each	
20	PD020261	' #8-32X1/2" PH PANHEAD MACH. SCREW	8	EA	
21	058325-402	GRILLE, INLET, LOWER, PORCELAIN, VDOF	1	EA	
22	066226-402	RACK, SUPPORT, D3, ASM, RH, BK	2	EA	
23	024256-000	TRIM,EXTD,RH, DBL	1	EA	
24	058326-402	TRAY, DRIP, PORCELAIN, VDOF	1	EA	
25	PD020063	SCREW-#8(A) X 3/8"PH WFR HD/BK OXID	2	EA	



Item	Part No.	Name	Qty	Uom	NOTES
1	003860-000	10-18 x .500 FASTNR,SCR,HXWH,STL,ZPLT	25	EA	
2	A2009697	BRACKET, CONVECTION INSULATION	1	EA	
3	A2009620	BASE, BACK WRAPPER	1	EA	
4	014143-000	SCR 10-12 A SHLD TRP 1/2 S ZN BLUE	6	EA	
5	066764-000	WRAPPER, OVEN, SIDE	2	EA	
6	066766-000	RETAINER, INSL, LHS	1	EA	
7	066765-000	RETAINER, INSL, RHS	1	EA	
8	A2009661	MODULE PAN 30"	2	EA	
9	PB020275	VENT TUBE	1	EA	
10	PM010014	SMOKE ELIMINATOR (VDSC)	1	EA	
11	037304-000	FASTENER, PNH, TORX, AB, PSVD, WAX	11	EA	
12	032857-402	BAFFLE, CNVN, ASM, D3 BLACK	1	EA	
13	051580-000	BRACKET, GASKET	1	EA	
14	PD020061	' #8 X 3/4 FLAT HD TEK. *SS*	1	EA	
15	013547-000	BAKE ELEMENT INSULATION	1	EA	
16	066114-000	TRAY, ELEMENT, MTG, 30"	1	EA	
17	PC020247	HINGE POCKET RECEIVER MANSFIELD LH	1	EA	
18	PC020221	HINGE POCKET RECEIVER MANSFIELD RH	1	EA	

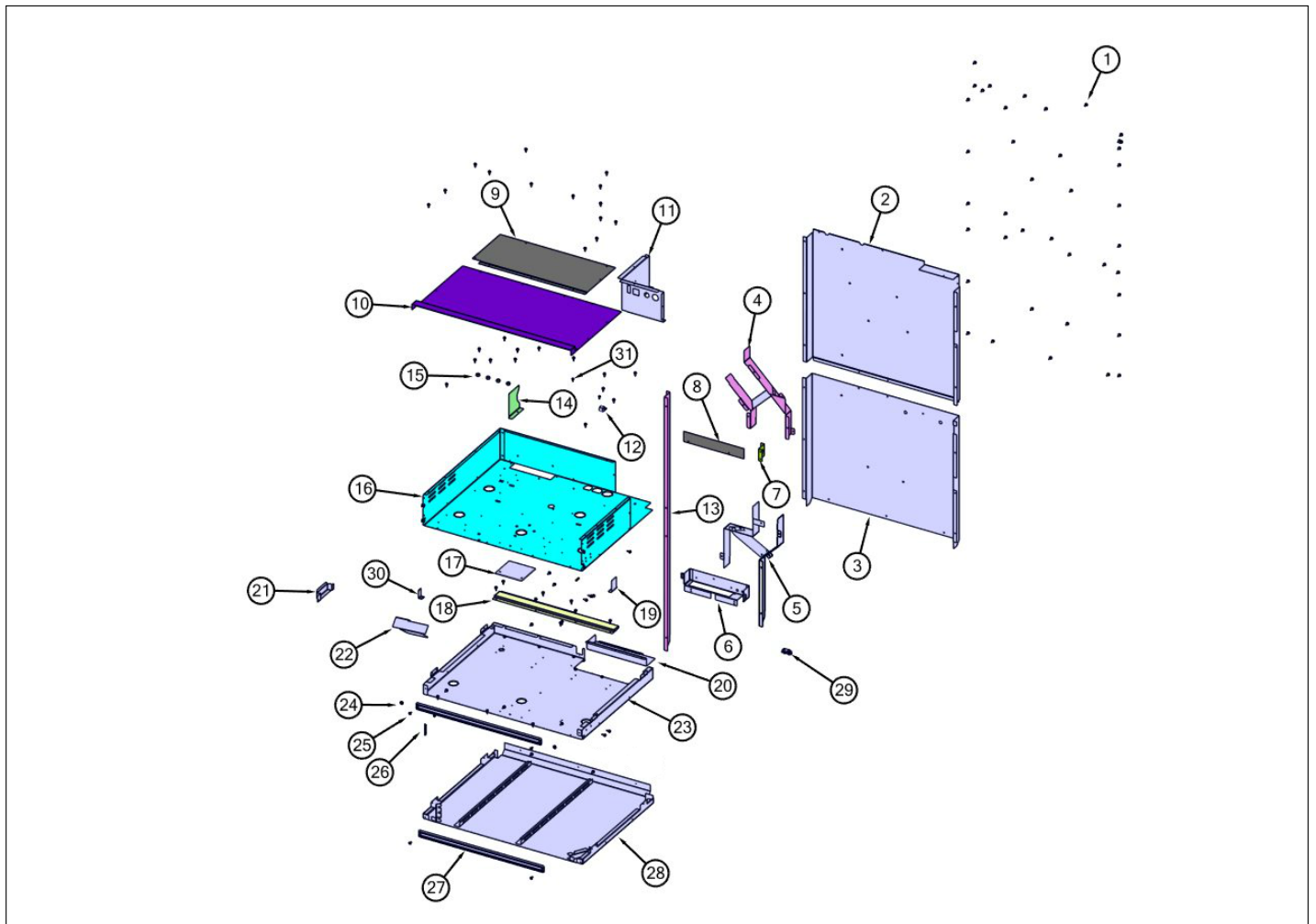


Upper Oven View



Item	Part No.	Name	Qty	Uom	NOTES
1	003860-000	10-18 x .500 FASTNR,SCR,HXWH,STL,ZPLT	46	EA	
2	A2009697	BRACKET, CONVECTION INSULATION	1	EA	
3	A2009620	BASE, BACK WRAPPER	1	EA	
4	037304-000	FASTENER, PNH, TORX, AB, PSVD, WAX	11	EA	
5	014143-000	SCR 10-12 A SHLD TRP 1/2 S ZN BLUE	6	EA	
6	066764-000	WRAPPER, OVEN, SIDE	2	EA	
7	066765-000	RETAINER, INSL, RHS	1	EA	
8	066766-000	RETAINER, INSL, LHS	1	EA	
9	A2009641	BRKT, TOP WRAPPER	2	EA	
10	PB020275	VENT TUBE	1	EA	
11	PM010014	SMOKE ELIMINATOR (VDSC)	1	EA	
12	032857-402	BAFFLE, CNVN, ASM, D3 BLACK	1	EA	
13	051580-000	BRACKET, GASKET	1	EA	
14	PD020061	' #8 X 3/4 FLAT HD TEK. *SS*	1	EA	
15	013547-000	BAKE ELEMENT INSULATION	1	EA	
16	066114-000	TRAY, ELEMENT, MTG, 30"	1	EA	

Chassis View

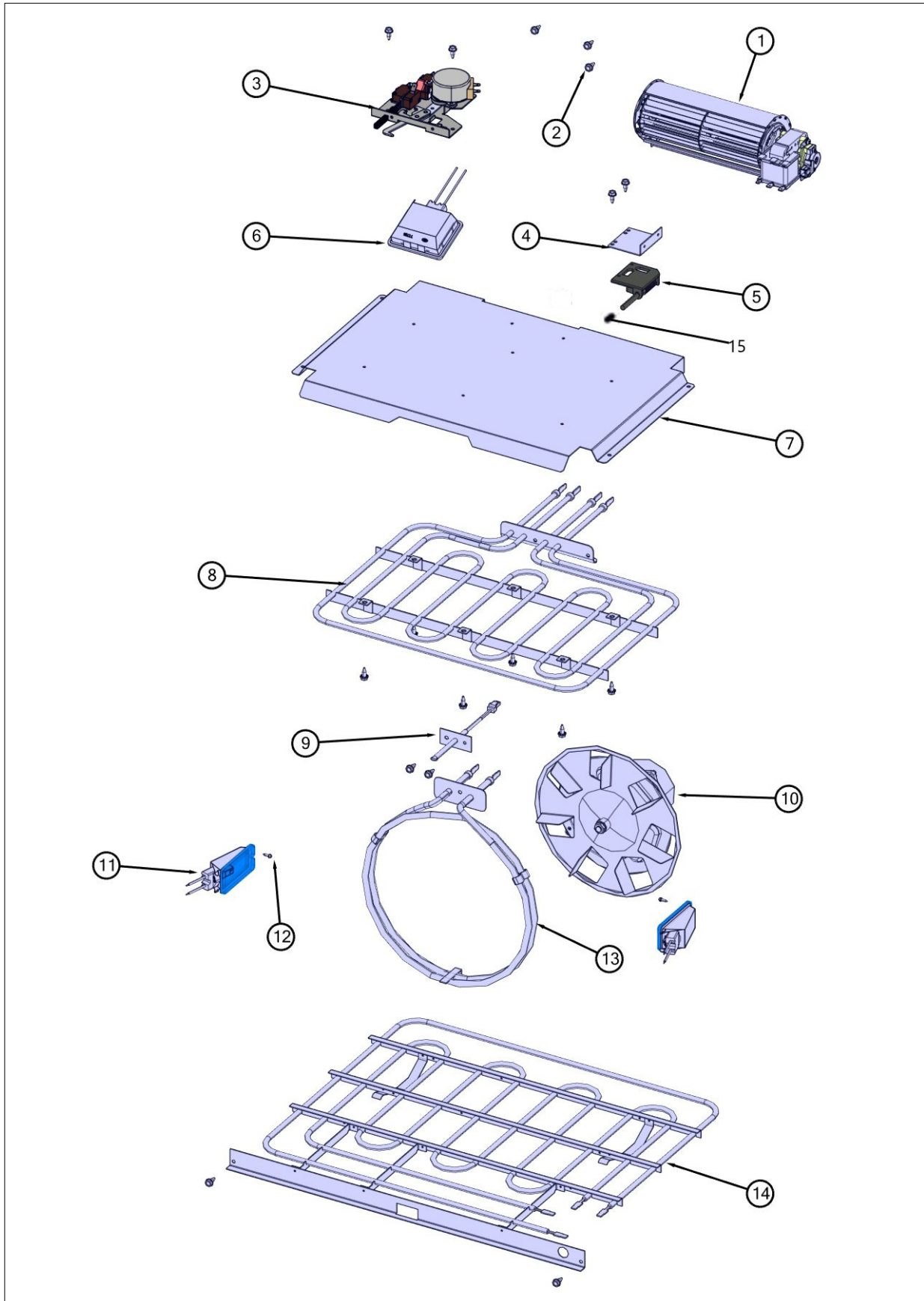


Item	Part No.	Name	Qty	Uom	NOTES
1	003860-000	10-18 x .500 FASTNR,SCR,HXWH,STL,ZPLT	114	EA	
2	046033-000	COVER, BACK, DOUBLE, TOP	1	EA	
3	046034-000	COVER, BACK, DOUBLE, BOTTOM	1	EA	
4	049667-000	DUCT, AIR, WALL OVEN	1	EA	
5	050578-000	DUCT, AIR FLOW DIVIDER, WALL OVEN ASSY	1	EA	
6	A3009660	BRACKET, BLOWER, DBL LOWER OVEN	1	EA	
7	A2009671	BRACKET, POWER CABLE	1	EA	
8	A10010907	COVER, BLOWER	1	EA	
9	A20014049	30" REAR COVER	1	EA	
10	025057-000	PANEL,CVR, TOP, FR, 30"	1	EA	
11	A20010934	BRACKET, MODULE PAN	1	EA	
12	PD030109	INSULATED CLAMP	1	EA	
13	A2009684	REAR AIR DIVIDER, DOUBLE OVEN	1	EA	
14	A2009667	REAR AIR DIVIDER	1	EA	
15	PD030172	M8 X 1.25MM NUT	4	EA	
16	058336-000	TOP, WO, 30	1	EA	
17	013564-000	LOWER LATCH INSULATION	1	EA	
18	A2009682	CATALYST EXHAUST, MIDDLE MODULE	1	EA	
19	A20014036	BOTTOM BLOWER DIVIDER	1	EA	
20	046261-000	BRACKET, FILLER, BLOWER	1	EA	
21	016021-000	COVER, TERM, BROILER	1	EA	
22	A20014052	WIRE SHIELD	1	EA	
23	A2009661	MODULE PAN 30"	1	EA	
24	032859-000	PLUG, HOLE BK PORCELAIN	3	EA	
25	003083-000	#8-18 x 1/2" PHIL FLAT TOP TRUSS HD AB SCREW	4	EA	
26	PD040132	SPRING-FAST GROMMET EDGING	0.083ft	EA	
27	032861-000	COVER, BAKE TRAY, BK PORC	2	EA	
28	G3009694	BASE MODULE ASSY 30"	1	EA	



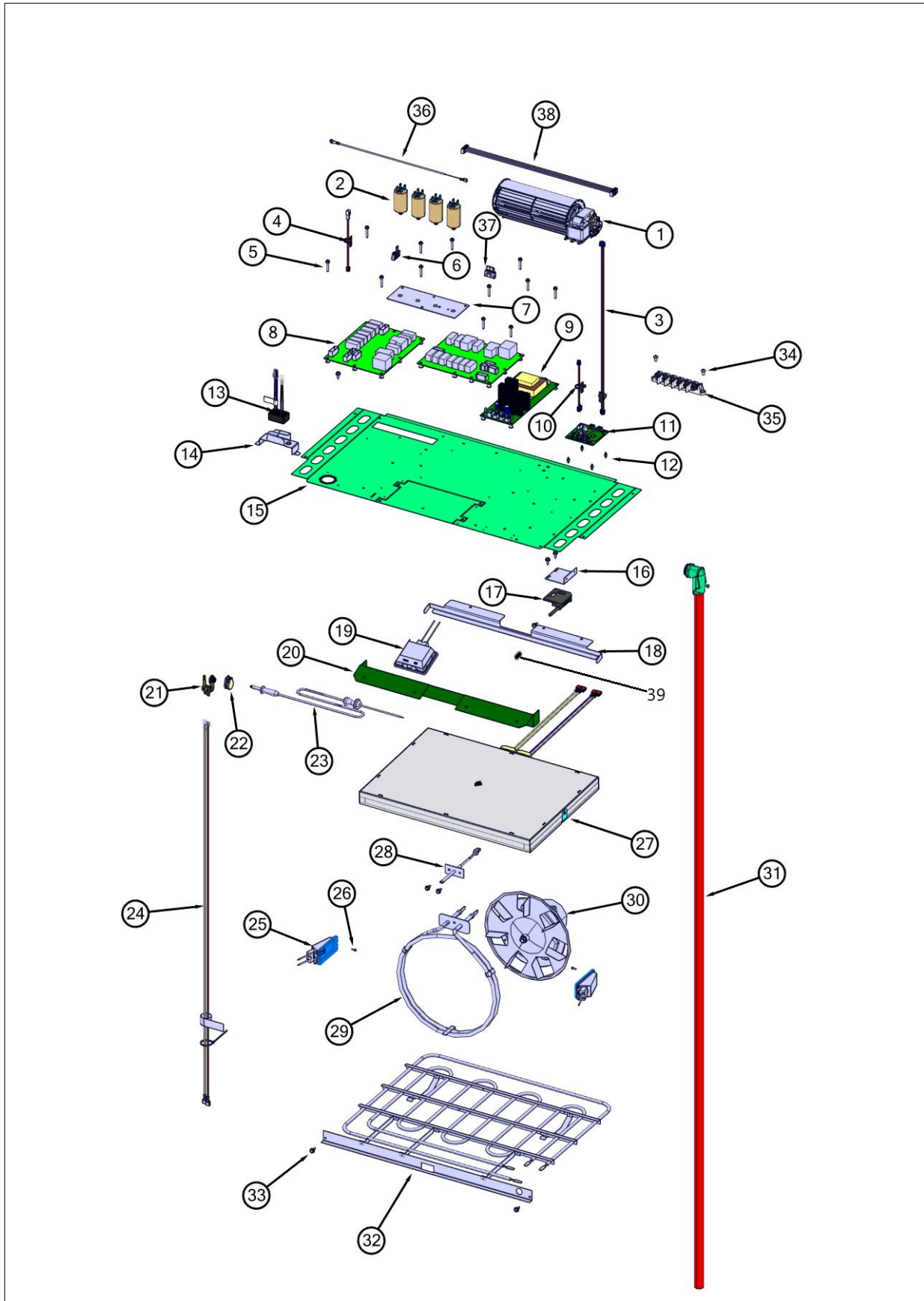
Item	Part No.	Name	Qty	Uom	NOTES
29	049187-000	FASTENER, W, PLSC	1	EA	
30	A20014089	DISC BRACKET	1	EA	
31	PD020010	10 X 3/8 GREEN GROUNDING SCREW	2	EA	

Lower Oven Electrical View



Item	Part No.	Name	Qty	Uom	NOTES
1	080968-000	FAN, COOLING, DUAL, 230V, 60 X 180mm	2	EA	
2	003860-000	10-18 x .500 FASTNR,SCR,HXWH,STL,ZPLT	12	EA	
3	039293-000	LATCH, ELEC, 240V, ASSY	1	EA	
4	A20012649	DOOR SWITCH BRACKET	2	EA	
5	048347-000	SWITCH, SPDT, DOOR, STRAIGHT TABS	2	EA	
	NOTE	(MUST ORDER ITEM #15 WHEN REPLACING DOOR SWITCH)			
6	068038-601	ASM, OVEN, LIGHT, 120V, 40W	2	EA	
7	A20014021	REFLECTOR, BROIL	1	EA	
8	PJ010049	BROIL ELEMENT	1	EA	
9	PE050206	RTD THERMOSTAT PROBE	2	EA	
10	076194-000	ASM, FAN, CONVECTION	2	EA	
11	068653-601	LIGHT, 120V/25W, G9, HALOGEN, SIDE	4	EA	
12	PD020013	TYPE "AB" #6 X 3/8 PH PAN HD. SMS	4	EA	
13	PJ010047	CONVECTION ELEMENT	2	EA	
14	PJ010048	BAKE ELEMENT	2	EA	
15	051875-000	CAP, SWITCH, DOOR	1	EA	

Upper Oven Electrical View

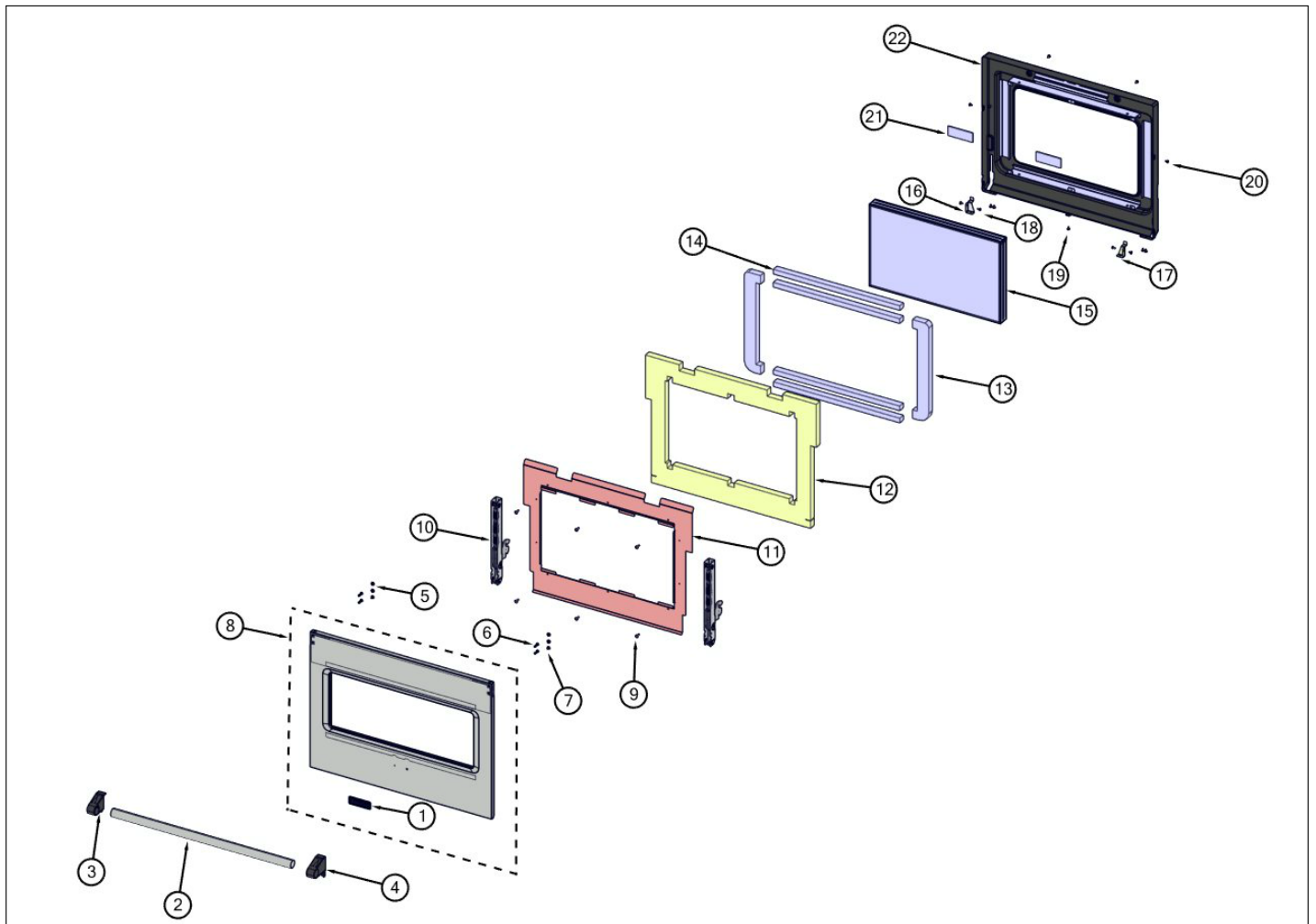




Item	Part No.	Name	Qty	Uom	NOTES
1	080968-000	FAN, COOLING, DUAL, 230V, 60 X 180mm	2	EA	
2	076539-000	CAPACITOR, MOTOR, 1uF	4	EA	
3	046146-000	LED harness	1	EA	
4	048482-000	HARNESS, LED, JUMPER (HPN-0923-1)	1	EA	
5	M0211021	SCREW-SM	12	EA	
6	005293-000	HARN,HEADER, MODEL 6 (SEE MODEL_HEADER)	1	EA	
7	A10014027	4 CAPACITOR BRACKET	1	EA	
8	046142-571	CONTROL, EOC4, LED, V39/V51 & FAMILY	2	EA	
9	015201-000	LINEAR POWER SUPPLY	1	EA	
10	046147-000	HARN, LED DVR, EOC4, PWR, 5IN & FAMILY	1	EA	
11	074457-000	PCBA, DRIVER, LED	1	EA	
12	003148-000	LED STANDOFF	4	EA	
13	069995-000	12 VOLT POWER SUPPLY KIT	1	EA	
	NOTE	SEE TC-0118-SP SERVICE BULLETIN			
14	068310-000	BRKT, SHELF, POWER SUPPLY	1	EA	
	NOTE	SEE TC-0118-SP SERVICE BULLETIN			
15	049720-000	PANEL, MTG, CONTROLS, EOC4	1	EA	
16	A20012649	DOOR SWITCH BRACKET	1	EA	
17	048347-000	SWITCH, SPDT, DOOR, STRAIGHT TABS	2	EA	
	NOTE	(MUST ORDER ITEM #39 WHEN REPLACING DOOR SWITCH)			
18	013621-000	BRACKET, BROILER, REAR	1	EA	
19	068038-601	ASM, OVEN, LIGHT, 120V, 40W	2	EA	
20	024234-000	BRACKET, BROILER, FRONT	1	EA	
21	PE050115	MEAT PROBE JACK (SWITCHCRAFT'S PART# 3J1505)	1	EA	
22	PM010160	MEAT PROBE JACK COVER (SWITCHCRAFT'S PART# 2C1098)	1	EA	

Item	Part No.	Name	Qty	Uom	NOTES
23	PE050114	MEAT PROBE (DESO/DEDO) (SWITCHCRAFT'S PART # 4C7919)	1	EA	
24	PE070735	MEAT PROBE HARNESS	1	EA	
25	068653-601	LIGHT, 120V/25W, G9, HALOGEN, SIDE	4	EA	
26	PD020013	TYPE "AB" #6 X 3/8 PH PAN HD. SMS	4	EA	
27	057872-000	EGO BROIL ELEMENT KIT	1	EA	
28	PE050206	RTD THERMOSTAT PROBE	2	EA	
29	PJ010047	CONVECTION ELEMENT	2	EA	
30	076194-000	ASM, FAN, CONVECTION	2	EA	
31	040197-000	CONDUIT, ELECTRICAL CORD, 70"	1	EA	
32	PJ010048	BAKE ELEMENT	22	EA	
33	003860-000	10-18 x .500 FASTNR,SCR,HXWH,STL,ZPLT	4	EA	
34	PD020004	10X3/8PH.HD.TYPE 25 REPL PD040125	2	EA	
35	054135-000	BLOCK, TERMINAL, 6-POLE (Heyco # 9454)	1	EA	
36	044607-000	WIRE, GROUND	2	EA	
37	057869-000	HARN, HEADER, MODEL 24 (SEE MODEL_HEADER)	1	EA	
38	017047-000	TOD2 RIBBON CABLE	1	EA	
NI	068310-000	BRKT, SHELF, POWER SUPPLY	1	EA	
39	051875-000	CAP, SWITCH, DOOR	1	EA	

Lower Oven Door View

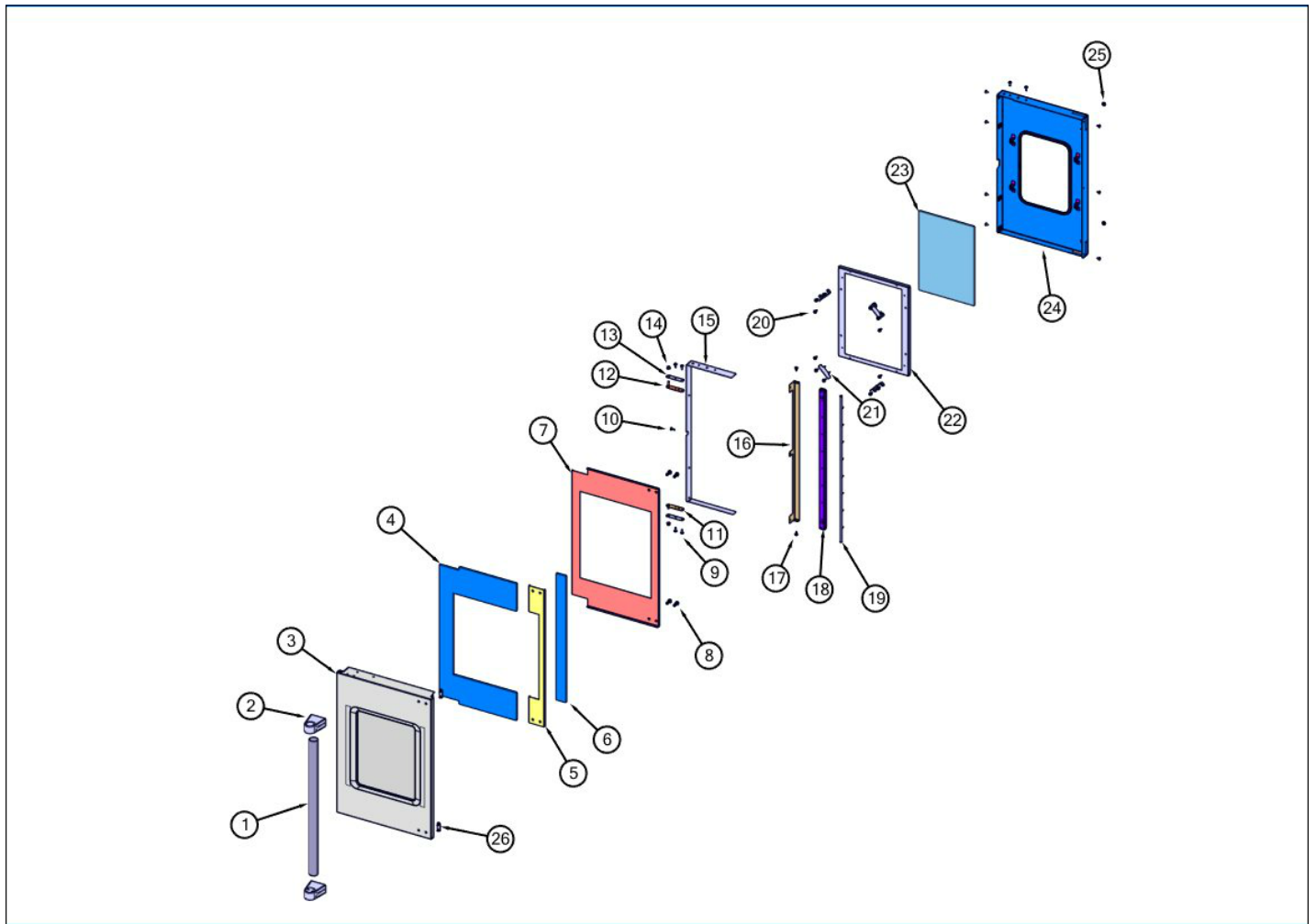


Item	Part No.	Name	Qty	Uom	NOTES
1	062341-000	NAMEPLATE, VIKING, 3.500", W/LOC PINS 5 SERIES	1	EA	
2	023998-000	HANDLE DOOR 30" 29.126	1	EA	
3	025186-000	ENDCAP,DOOR HDL,ASM,LH	1	EA	
4	025187-000	ENDCAP,DOOR HDL,ASM,RH	1	EA	
5	004907-000	STEEL FINISHING PLUG, NICKEL PLTD 25/64" HOLE	4	EA	
6	030823-000	#10-32 PAN HEAD PHILLIPS MACHINE SCREW	4	EA	
7	PD020073	SRW #10 X 24 X 3/8 WAFER HD TYPE23	2	EA	
8	063296-000	DOOR, OS, KIT, ASM, W/LOGO, 30"	1	EA	
8	063580-002	DOOR, OS, KIT, ASM, W/LOGO, 30", DECARB BK	1	EA	
8	063580-005	DOOR, OS, KIT, ASM, W/LOGO, 30", DECARB GG	1	EA	
8	063580-006	DOOR, OS, KIT, ASM, W/LOGO, 30", DECARB WH	1	EA	
8	063580-008	DOOR, OS, KIT, ASM, W/LOGO, 30", DECARB BU	1	EA	
8	063580-013	DOOR, OS, KIT, ASM, W/LOGO, 30", DECARB CB	1	EA	
8	063580-024	DOOR, OS, KIT, ASM, W/LOGO, 30", DECARB AR	1	EA	
9	PD020014	10X3/4 PH TR HD SMS	6	EA	
10	023799-000	HINGE, MANSFIELD, RED	2	EA	
11	A2009632	PANEL, INULATION, INNER DOOR	1	EA	
12	013543-000	30" DOOR INSULATION	1	EA	
13	013558-000	SIDE DOOR PLUG INSULATION	2	EA	
14	013547-000	BAKE ELEMENT INSULATION	4	EA	
15	PE060094	30" WINDOW PACK	1	EA	
16	A20012641	HINGE SUPPORT LH	1	EA	
17	A20012640	HINGE SUPPORT RH	1	EA	
18	PD020004	10X3/8PH.HD.TYPE 25 REPL PD040125	2	EA	
19	PD020032	SRW-8(A)X3/8"PH.WFR HD 7/16DIA*NICL	7	EA	



Item	Part No.	Name	Qty	Uom	NOTES
20	PD020063	SCREW-#8(A) X 3/8"PH WFR HD/BK OXID	6	EA	
21	013567-000	DOOR BRACKET INSULATION	2	EA	
22	050694-000	LINER, DOOR, PORC BLK	1	EA	

LH Upper Oven Door View

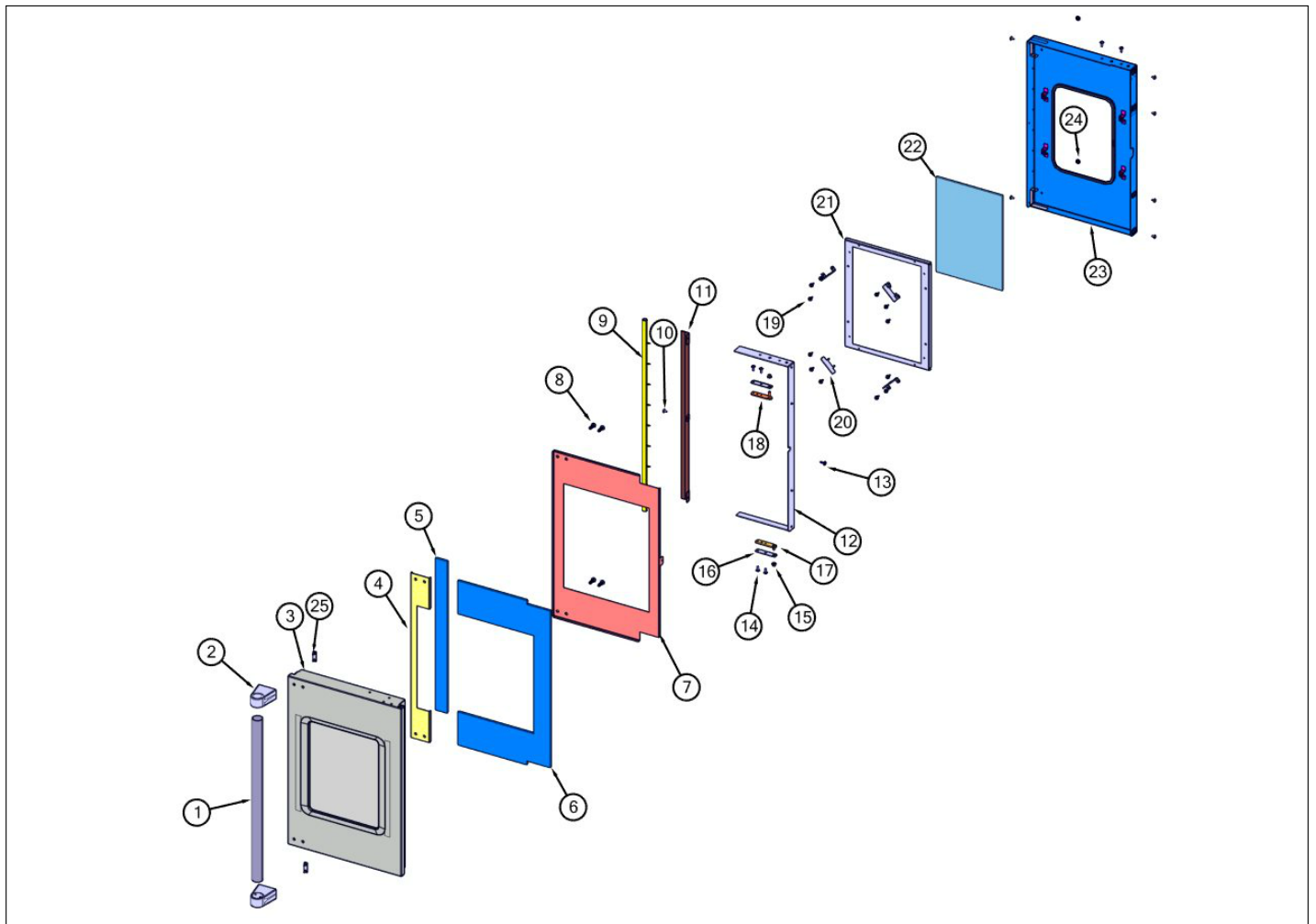


Item	Part No.	Name	Qty	Uom	NOTES
1	045441-000	HANDLE, TUBE	1	EA	
2	026965-000	END CAP, ASM, DOOR HANDLE	2	EA	
3	063511-000	SKIN, DOOR, GLASS, ASM, LH VDOF, TC STYLE	1	EA	
3	063522-002	SKIN, DOOR, GLASS, ASM, LH, VDOF, TC STYLE (DECARB) BK	1	EA	
3	063522-005	SKIN, DOOR, GLASS, ASM, LH, VDOF, TC STYLE (DECARB) GG	1	EA	
3	063522-006	SKIN, DOOR, GLASS, ASM, LH, VDOF, TC STYLE (DECARB) WH	1	EA	
3	063522-008	SKIN, DOOR, GLASS, ASM, LH, VDOF, TC STYLE (DECARB) BU	1	EA	
3	063522-013	SKIN, DOOR, GLASS, ASM, LH, VDOF, TC STYLE (DECARB) CB	1	EA	
3	063522-024	SKIN, DOOR, GLASS, ASM, LH, VDOF, TC STYLE (DECARB)AR	1	EA	
4	063675-000	INSULATION, LOWER, SKIN, FDO	1	EA	
5	063670-000	BACKPLATE, HDL	1	EA	
6	063676-000	INSULATION, SKIN, SIDE	1	EA	
7	063671-000	RETAINER, INSL, FD	1	EA	
8	PD020069	CAP SCREW 1/4-20 X 3/4 SS	4	EA	
9	PD020078	' #10-24 X 1/2" PH.TR. M.S.*SS* NYLOK	6	EA	
10	M0210458	SCR 8-18 X 5/8 WAFER PH SMS	1	EA	
11	045412-000	PLATE, PVT	1	EA	
12	046930-000	PLATE, PVT	1	EA	
13	053066-000	BRACKET, SHIM, HINGE, FRENCH DOOR	2	EA	
14	045442-000	BEARING, FLANGE	2	EA	
15	052402-000	PLATE, SUPPORT, LINER, LH	1	EA	
16	052395-000	MULLION, BACK	1	EA	
17	004526-000	10 x 1/2 PH, NPLT, TAPPING SCREW	2	EA	
18	054821-000	MULLION, FRONT	1	EA	
19	046015-000	GASKET, MULLION	1	EA	
20	003860-000	10-18 x .500 FASTNR,SCR,HXWH,STL,ZPLT	12	EA	

Item	Part No.	Name	Qty	Uom	NOTES
21	043324-000	BRACKET, MTG, GLASS	4	EA	
22	050257-000	LINER, MTG, GLASS, 18", FD	1	EA	
23	045901-000	GLASS, DOOR, INNER	1	EA	
24	063673-402	LINER, WELD, LH, BK	1	EA	
25	PD040004	GROMMET BUMPER	2	EA	
26	050355-000	CANOPY BUMPER, FD	2	EA	



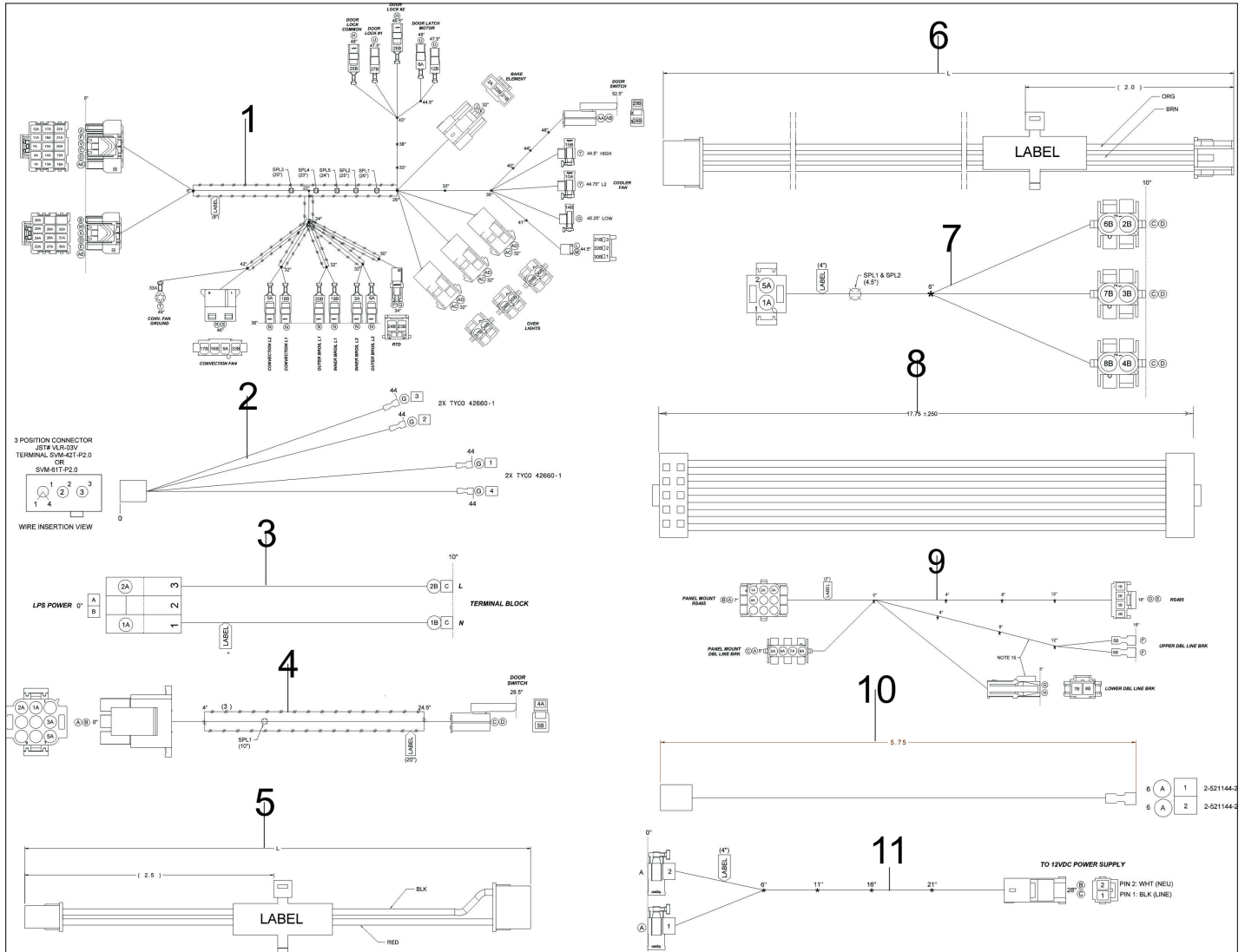
RH Upper Oven Door View



Item	Part No.	Name	Qty	Uom	NOTES
1	045441-000	HANDLE, TUBE	1	EA	
2	026965-000	END CAP, ASM, DOOR HANDLE	2	EA	
3	063527-000	SKIN, DOOR, GLASS, ASM, RH, VDOF, TC STYLE	1	EA	
3	063530-002	SKIN, DOOR, GLASS, ASM, RH, VDOF, TC STYLE (DECARB) BK	1	EA	
3	063530-005	SKIN, DOOR, GLASS, ASM, RH, VDOF, TC STYLE (DECARB) GG	1	EA	
3	063530-006	SKIN, DOOR, GLASS, ASM, RH, VDOF, TC STYLE (DECARB) WH	1	EA	
3	063530-008	SKIN, DOOR, GLASS, ASM, RH, VDOF, TC STYLE (DECARB) BU	1	EA	
3	063530-013	SKIN, DOOR, GLASS, ASM, RH, VDOF, TC STYLE (DECARB) CB	1	EA	
3	063530-024	SKIN, DOOR, GLASS, ASM, RH, VDOF, TC STYLE (DECARB)AR	1	EA	
4	063670-000	BACKPLATE, HDL	1	EA	
5	063676-000	INSULATION, SKIN, SIDE	1	EA	
6	063675-000	INSULATION, LOWER, SKIN, FDO	1	EA	
7	063671-000	RETAINER, INSL, FD	1	EA	
8	PD020069	CAP SCREW 1/4-20 X 3/4 SS	4	EA	
9	050230-000	GASKET MULLION ASSY	1	EA	
10	PD020032	SRW-8(A)X3/8"PH.WFR HD 7/16DIA*NICL	7	EA	
11	052397-000	MULLION, RH	1	EA	
12	051356-000	PLATE, SUPPORT, LINER, RH	1	EA	
13	M0210458	SCR 8-18 X 5/8 WAFER PH SMS	1	EA	
14	PD020078	' #10-24 X 1/2" PH.TR. M.S.*SS* NYLOK	6	EA	
15	045442-000	BEARING, FLANGE	2	EA	
16	053066-000	BRACKET, SHIM, HINGE, FRENCH DOOR	2	EA	
17	045412-000	PLATE, PVT	1	EA	
18	046930-000	PLATE, PVT	1	EA	
19	003860-000	10-18 x .500 FASTNR,SCR,HXWH,STL,ZPLT	12	EA	
20	043324-000	BRACKET, MTG, GLASS	4	EA	

Item	Part No.	Name	Qty	Uom	NOTES
21	050257-000	LINER, MTG, GLASS, 18", FD	1	EA	
22	045901-000	GLASS, DOOR, INNER	1	EA	
23	063871-402	LINER, WELD, RH, BK	1	EA	
24	PD040004	GROMMET BUMPER	2	EA	
25	050355-000	CANOPY BUMPER, FD	2	EA	

Wiring View



Item	Part No.	Name	Qty	Uom	NOTES
1	057655-000	LATCH HARNESS, LOWER OVEN	2	EA	
2	PE070739	BAKE ELEMENT HARNESS	2	EA	
3	055982-000	HARN, VESO, EOC4, PS PWR, MAINS, JUMPER	1	EA	
4	058092-000	HARN, WALL OVEN, UPR, LATCH, FRENCH DOOR	1	EA	
5	056683-000	HARN, LED DVR, EOC4, PWR, 40IN	1	EA	
6	056681-000	HARN, LED DVR, EOC4, SIG, 34IN	1	EA	
7	057341-000	Light Harness 3-Way	1	EA	
8	024440-000	RIBBON CABLE, EOC4, TO LPS	2	EA	
9	057347-000	HARN, WALL OVEN, DOUBLE, TEST	1	EA	
10	PE070888	TOUCH CONTROL MEAT PROBE HARNESS	1	EA	
11	057109-000	HARN, WALL OVEN, AC SUPPLY, LED BOARD	1	EA	





Item	Part No.	Name	Qty	Uom	NOTES
1	061003-000	HARN, WALL OVEN, UPR, MAIN, EOC4	1	EA	
2	056948-000	HARN, WALL OVEN, LWR, MAIN, EOC4	1	EA	



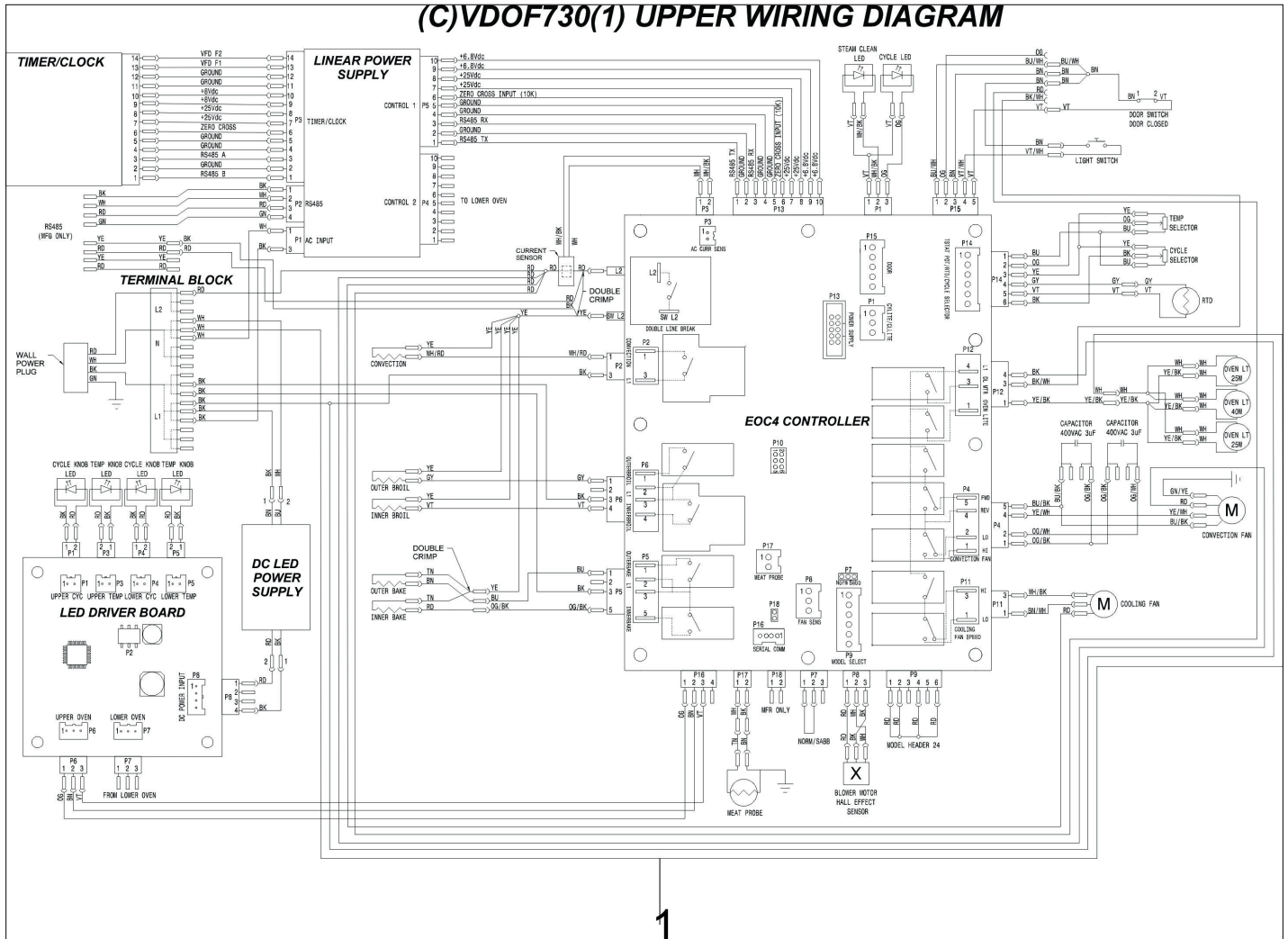




Item	Part No.	Name	Qty	Uom	NOTES
1	057763-200	DIAG, W, VDOF730, ADH	1	EA	

Upper Oven Wiring Diagram View

(C)VDOF730(1) UPPER WIRING DIAGRAM





Item	Part No.	Name	Qty	Uom	NOTES
1	057763-200	DIAG, W, VDOF730, ADH	1	EA	



Appendix A:Pages Index

Chassis View ..... 5  
Control View ..... 1  
Decor View ..... 2  
LH Upper Oven Door View ..... 9  
Lower Oven Door View ..... 8  
Lower Oven Electrical View ..... 6  
Lower Oven View ..... 3  
Lower Oven Wiring Diagram View ..... 13  
RH Upper Oven Door View ..... 10  
Upper Oven Electrical View ..... 7  
Upper Oven View ..... 4  
Upper Oven Wiring Diagram View ..... 14  
Wiring Harness View ..... 12  
Wiring View ..... 11



Appendix B:Parts Index

003083-000	1, 5	043135-000	1
003148-000	7	043324-000	9, 10
003860-000	3, 4, 5, 6, 7, 9, 10	044607-000	7
004526-000	9	045412-000	9, 10
004907-000	8	045441-000	9, 10
005293-000	7	045442-000	9, 10
013543-000	8	045553-000	2
013547-000	3, 4, 8	045595-000	2
013558-000	8	045596-000	2
013564-000	5	045901-000	9, 10
013567-000	8	046015-000	9
013621-000	7	046033-000	5
014143-000	3, 4	046034-000	5
015201-000	7	046142-571	7
016021-000	5	046146-000	7
017047-000	7	046147-000	7
023799-000	8	046261-000	5
023998-000	8	046296-000	1
024234-000	7	046930-000	9, 10
024253-000	2	048347-000	6, 7
024256-000	2	048482-000	7
024257-000	2	049187-000	5
024440-000	11	049667-000	5
025057-000	5	049720-000	7
025058-000	1	050230-000	10
025063-002	2	050257-000	9, 10
025186-000	8	050355-000	9, 10
025187-000	8	050578-000	5
025494-000	2	050694-000	8
026965-000	9, 10	051356-000	10
030823-000	8	051580-000	3, 4
031679-000	2	051590-000	2
032857-402	3, 4	051597-000	2
032859-000	5	051875-000	6, 7
032861-000	5	052395-000	9
036423-000	1	052397-000	10
036576-000	1	052402-000	9
037304-000	3, 4	053066-000	9, 10
039293-000	6	054135-000	7
040197-000	7	054821-000	9
		055982-000	11



056681-000	11	063673-402	9
056683-000	11	063675-000	9, 10
056948-000	12	063676-000	9, 10
057109-000	11	063871-402	10
057341-000	11	064101-2095	1
057347-000	11	065847-000	2
057655-000	11	065947-000	2
057763-200	13, 14	066114-000	3, 4
057869-000	7	066226-402	2
057872-000	7	066227-402	2
057954-2774	1	066764-000	3, 4
058092-000	11	066765-000	3, 4
058325-402	2	066766-000	3, 4
058326-402	2	068038-601	6, 7
058336-000	5	068310-000	7, 7
059049-000	1	068653-601	6, 7
061003-000	12	069995-000	7
062341-000	8	074457-000	7
063296-000	8	076194-000	6, 7
063511-000	9	076539-000	7
063522-002	9	080968-000	6, 7
063522-005	9	082157-000	1
063522-006	9	085982-000	1
063522-008	9	086481-000	2, 2
063522-013	9	A10010907	5
063522-024	9	A10014027	7
063527-000	10	A20010934	5
063530-002	10	A20012640	8
063530-005	10	A20012641	8
063530-006	10	A20012649	6, 7
063530-008	10	A20014021	6
063530-013	10	A20014036	5
063530-024	10	A20014049	5
063580-002	8	A20014052	5
063580-005	8	A20014089	5
063580-006	8	A2009620	3, 4
063580-008	8	A2009632	8
063580-013	8	A2009641	4
063580-024	8	A2009661	3, 5
063670-000	9, 10	A2009667	5
063671-000	9, 10	A2009671	5



A2009682	5	PJ010048	6, 7
A2009684	5	PJ010049	6
A2009697	3, 4	PJ030033	1
A3009660	5	PJ030035	1
G3009694	5	PM010014	3, 4
G40015469	1	PM010160	7
M0210443	2		
M0210458	9, 10		
M0211021	7		
M0215318	2		
PA010093	1		
PB010315	1		
PB020275	3, 4		
PC020221	3		
PC020247	3		
PD020004	1, 7, 8		
PD020010	5		
PD020013	6, 7		
PD020014	8		
PD020032	1, 8, 10		
PD020061	3, 4		
PD020062	2		
PD020063	2, 8		
PD020069	9, 10		
PD020073	8		
PD020078	9, 10		
PD020232	2		
PD020261	2		
PD020269	1		
PD030109	5		
PD030172	5		
PD040004	9, 10		
PD040132	5		
PE050114	7		
PE050115	7		
PE050206	6, 7		
PE060094	8		
PE070735	7		
PE070739	11		
PE070888	11		
PJ010047	6, 7		