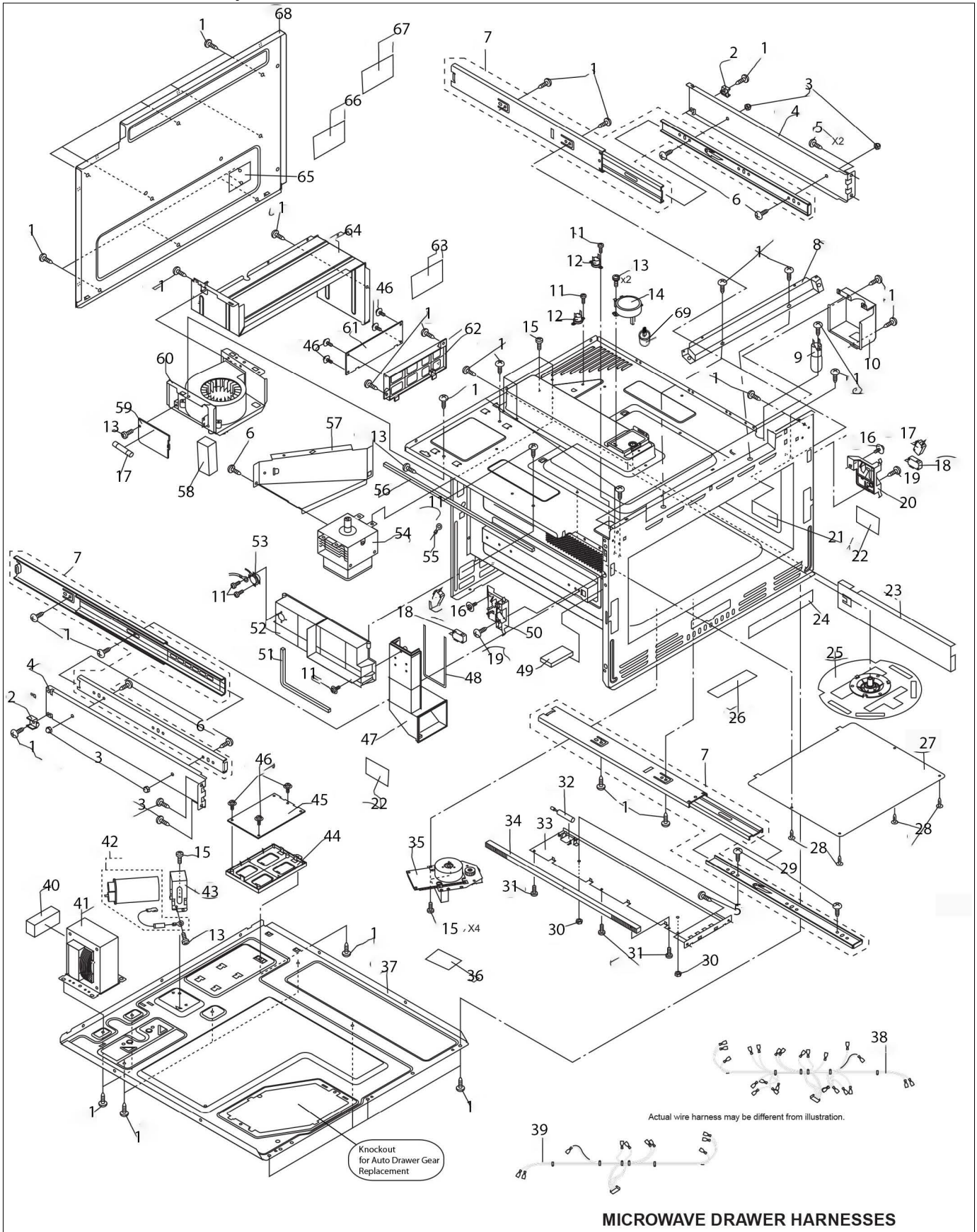


VMOD5240

MICROWAVE DRAWER

VMOD5240 Drawer Cavity	1
VMOD5240 Drawer Control	2
VMOD5240 Drawer Cabint	3
VMOD5240 Door	4
Appendix A:Pages Index	A
Appendix B:Parts Index	B

VMOD5240 Drawer Cavity



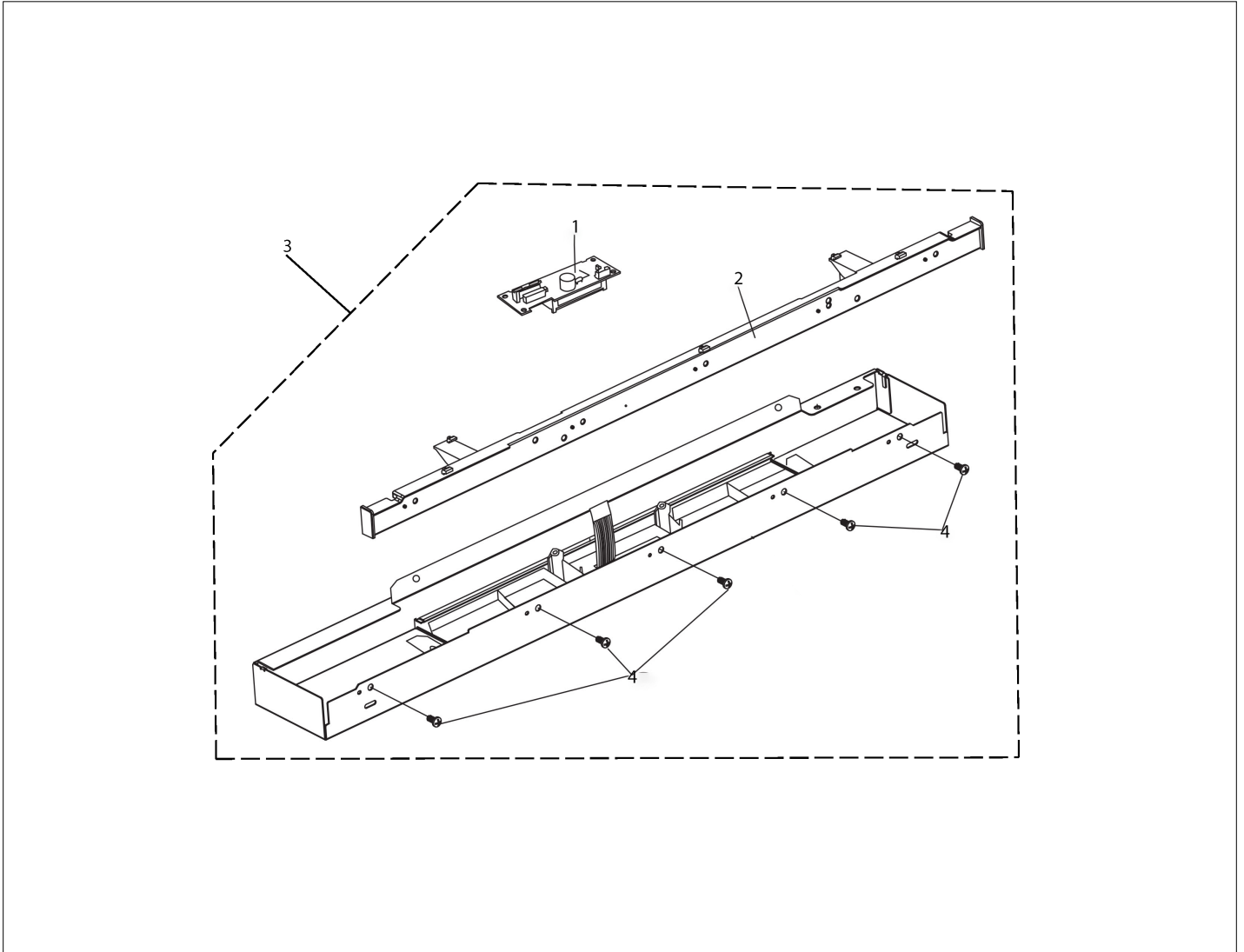
Item	Part No.	Name	Qty	Uom	NOTES
1	011843-000	SCREW : 4MM X 12MM	39	EA	
2	062597-000	DOOR STOPPER	2	EA	
3	062650-000	CAP NUT	4	EA	
4	062603-000	DOOR SUPPORT ANGLE A	2	EA	
5	011877-000	SCREW	8	EA	
6	011866-000	SCREW : 4MM X 8MM	5	EA	
7	062608-000	SLIDE RAIL	3	EA	
8	062627-000	FACEPLATE OUTERCASE COVER	1	EA	
9	011907-000	OVEN LAMP/SOCKET	1	EA	
10	062612-000	OVEN LAMP COVER	1	EA	
11	019111-000	SCREW	4	EA	
12	PM100016	OVEN TEMP FUSE	2	EA	
13	005228-000	SCREW : 4 MM X 8 MM	5	EA	NO LONGER AVAILABLE, Not available online / Call for pricing and availability
14	062580-000	STIRRER MOTOR	1	EA	
	NOTE	(BEFORE SERIAL V5240A005002)		EA	
14	072128-000	STIRRER MOTOR	1	EA	
	NOTE	(ON OR AFTER SERIAL V5240A005002)		EA	
15	PM120002	SPECIAL SCREW	11	EA	
16	062649-000	SCREW WITH WASHER	2	EA	
17	PM100075	Monitor and Scondary Interlock Switch	1	EA	
18	062583-000	MICROSWITCH A	3	EA	
19	PM120003	SCREW	2	EA	
20	062625-000	LATCH HOOK R	1	EA	
21	062622-000	LAMP FILTER	1	EA	
22	PM120034	MONITOR CAUTION LABEL	2	EA	
23	062623-000	PARTITION AG BOTTOM	1	EA	
24	062646-000	MENU LABEL	1	EA	
25	062599-000	ANTENNA ASSY	1	EA	

Item	Part No.	Name	Qty	Uom	NOTES
	NOTE	(BEFORE SERIAL V5240A005002)		EA	
25	072134-000	ANTENNA ASSY	1	EA	
	NOTE	(ON OR AFTER SERIAL V5240A005002)		EA	
26	062645-000	WAVEGUIDE COVER CLEANING LABEL	1	EA	
27	062611-000	ANTENNA COVER	1	EA	
28	012005-000	CANOE CLIP	4	EA	
29	028576-000	SCREW	2	EA	
30	011999-000	CAP NUT	2	EA	
31	012006-000	SPECIAL SCREW	3	EA	
32	062619-000	OIL DAMPER	1	EA	
33	062604-000	DOOR SUPPORT ANGLE B	1	EA	
34	062609-000	RACK GEAR	1	EA	
35	062584-000	AUTO DRAWER GEAR ASSY	1	EA	
36	062644-000	USER CAUTION LABEL	1	EA	
37	062602-000	BASE PLATE	1	EA	
38	062582-000	DRAWER HARNESS	1	EA	
	NOTE	(BEFORE SERIAL V5240A000001, IF SERIAL HAS A 'W' IN IT)		EA	
38	067600-000	DRAWER HARNESS	1	EA	
	NOTE	(FROM SERIAL V5240A000001 THRU SERIAL V5240A005002)		EA	
38	072130-000	DRAWER HARNESS	1	EA	
	NOTE	(ON OR AFTER SERIAL V5240A005002)		EA	
39	062585-000	CPU HARNESS	1	EA	
	NOTE	(BEFORE SERIAL V5240A000001, IF SERIAL HAS A 'W' IN IT)		EA	
39	067601-000	CPU HARNESS	1	EA	
	NOTE	(FROM SERIAL V5240A000001 THRU SERIAL V5240A005002)		EA	
39	072131-000	CPU HARNESS	1	EA	
	NOTE	(ON OR AFTER SERIAL V5240A005002)		EA	

Item	Part No.	Name	Qty	Uom	NOTES
40	062614-000	HVT CUSHION	1	EA	
41	062581-000	TRANSFORMER	1	EA	
42	062574-000	HVC ASSY	1	EA	
	NOTE	(BEFORE SERIAL V5240A000001, IF SERIAL HAS A 'W' IN IT)		EA	
42	067596-000	HVC ASSY	1	EA	
	NOTE	(FROM SERIAL V5240A000001 THRU SERIAL V5240A005002)		EA	
42	072125-000	HVC ASSY	1	EA	
	NOTE	(ON OR AFTER SERIAL V5240A005002)		EA	
43	062605-000	HVC BAND	1	EA	
44	062606-000	PSU HOLDER	1	EA	
45	062575-000	PSU- Drawer	1	EA	
	NOTE	(BEFORE SERIAL V5240A000001, IF SERIAL HAS A 'W' IN IT)		EA	
45	067597-000	PSU- Drawer	1	EA	
	NOTE	(FROM SERIAL V5240A000001 THRU SERIAL V5240A005002)		EA	
45	072126-000	PSU - DRAWER	1	EA	
	NOTE	(ON OR AFTER SERIAL V5240A005002)		EA	
46	022383-000	SCREW	7	EA	
47	062621-000	EXHAUST DUCT	1	EA	
48	062615-000	EXHAUST DUCT CUSHION	1	EA	
49	062617-000	AIR FLOW CUSHION	1	EA	
50	062626-000	LATCH HOOK L	1	EA	
51	062618-000	CUSHION	1	EA	
52	062620-000	SENSOR DUCT	1	EA	
53	037105-000	AH SENSOR	1	EA	
	NOTE	(BEFORE SERIAL V5240A, IF SERIAL HAS A 'W' IN IT)		EA	
53	067599-000	SENSOR ASSY	1	EA	
	NOTE	(ON OR AFTER SERIAL V5240A)		EA	

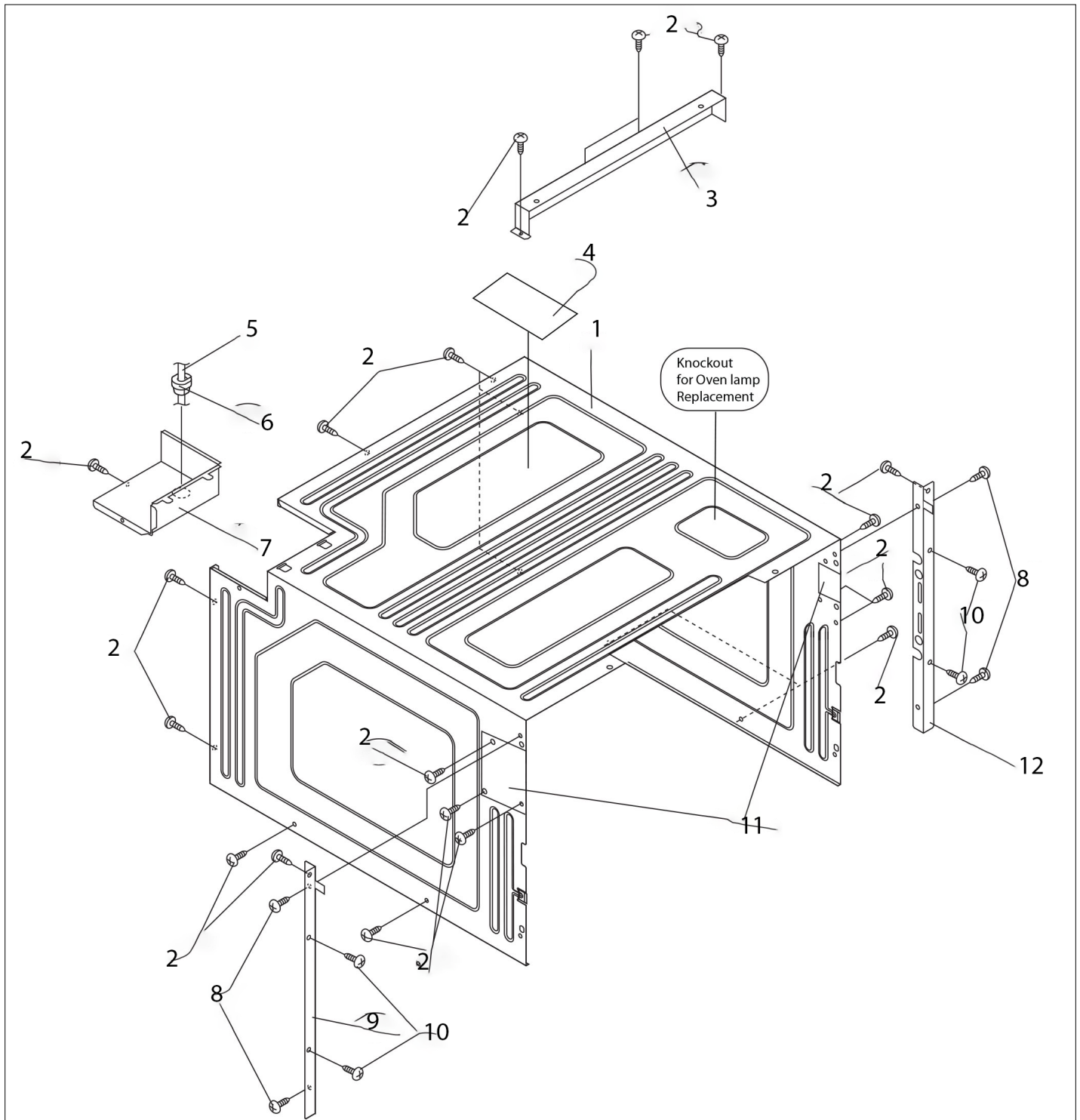
Item	Part No.	Name	Qty	Uom	NOTES
54	022355-000	MAGNETRON	1	EA	
	NOTE	(BEFORE SERIAL V5240A005002)		EA	
54	072129-000	MAGNETRON	1	EA	
	NOTE	(ON OR AFTER SERIAL V5240A005002)		EA	
55	062577-000	POWER SUPPLY CORD (51.18")	1	EA	NO LONGER AVAILABLE
	NOTE	(BEFORE SERIAL V5240A, IF SERIAL HAS A 'W' IN IT)		EA	
55	067598-000	POWER SUPPLY CORD (53.5")	1	EA	
	NOTE	(ON OR AFTER SERIAL V5240A)		EA	
56	062613-000	INLET CUSHION	2	EA	
57	011970-000	MAGNETRON DUCT	1	EA	Not available online / Call for pricing and availability
58	062616-000	FAN MOTOR SUPPORT CUSHION	1	EA	
59	062579-000	NOISE FILTER UNIT	1	EA	
60	062578-000	FAN MOTOR ASSY	1	EA	
	NOTE	(BEFORE SERIAL V5240A005002)		EA	
60	072127-000	FAN MOTOR ASSY	1	EA	
	NOTE	(ON OR AFTER SERIAL V5240A005002)		EA	
61	062576-000	SW PSU	1	EA	
62	062607-000	SW PSU HOLDER	1	EA	
63	062642-000	DHHS/GRD/CAUTION LABEL	1	EA	
64	062624-000	PARTRITION AG REAR	1	EA	
65	062592-000	BACK PLATE COVER	1	EA	
66	062648-000	USER CAUTION FRENCH LABEL	1	EA	
67	022495-000	NHW CAUTION LABEL	1	EA	
68	062600-000	BACKPLATE	1	EA	
69	072135-000	STIRRER MOTOR SHAFT	1	EA	
	NOTE	(ON OR AFTER SERIAL V5240A005002)		EA	

VMOD5240 Drawer Control



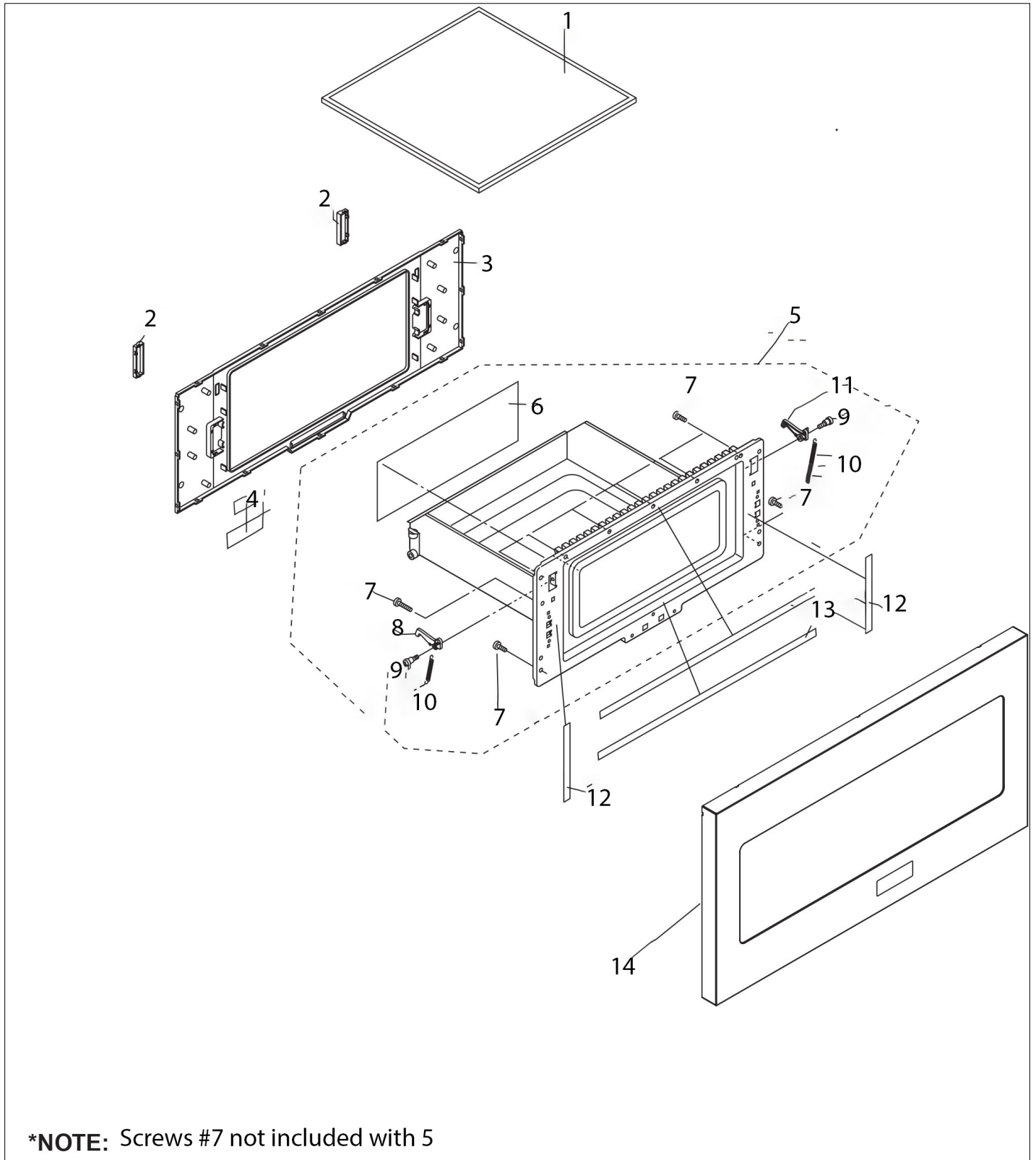
Item	Part No.	Name	Qty	Uom	NOTES
1	062593-000	CPU- Drawer	1	EA	
	NOTE	(BEFORE SERIAL V5240A000001, IF SERIAL HAS A 'W' IN IT)		EA	
1	067602-000	CPU- Drawer	1	EA	
	NOTE	(FROM SERIAL V5240A000001 THRU SERIAL V5240A005002)		EA	
1	072132-000	CPU- Drawer	1	EA	
	NOTE	(ON OR AFTER SERIAL V5240A005002)		EA	
2	062595-000	CONTROL PANEL BOTTOM	1	EA	
3	062594-000	TOUCH CONTROL PANEL ASSY	1	EA	
	NOTE	(BEFORE SERIAL V5240A000001, IF SERIAL HAS A 'W' IN IT)		EA	
3	067603-000	TOUCH CONTROL PANEL ASSY	1	EA	
	NOTE	(FROM SERIAL V5240A000001 THRU SERIAL V5240A005002)		EA	
3	072133-000	TOUCH CONTROL PANEL ASSY	1	EA	
	NOTE	(ON OR AFTER SERIAL V5240A005002)		EA	
4	062596-000	SCREWS	5	EA	

VMOD5240 Drawer Cabinet



Item	Part No.	Name	Qty	Uom	NOTES
1	062586-000	OUTER CASE CABINET	1	EA	
2	011843-000	SCREW : 4MM X 12MM	19	EA	
3	062610-000	C/P REAR COVER	1	EA	
4	062647-000	SCHEMATIC DIAGRAM	1	EA	
5	062577-000	POWER SUPPLY CORD (51.18")	1	EA	NO LONGER AVAILABLE
6	062590-000	CORD BUSHING	1	EA	
7	062587-000	AC CORD MOUNT ANGLE	1	EA	
8	011877-000	SCREW	4	EA	
9	062588-000	SIDE ANGLE L	1	EA	
10	062641-000	WOOD SCREW (M4 X 20, PANHEAD)	4	EA	
11	062591-000	LATCH COVER	2	EA	
12	062589-000	SIDE ANGLE R	1	EA	

VMOD5240 Door



***NOTE:** Screws #7 not included with 5

Item	Part No.	Name	Qty	Uom	NOTES
1	062598-000	OVEN TRAY ASSY	1	EA	
2	062601-000	DOOR SUPPORT COVER	2	EA	
3	062636-000	CHOKE COVER	1	EA	
4	062643-000	CONSUMER WARNING LABEL	1	EA	
5	062630-000	DOOR PANEL ASSY	1	EA	
6	062634-000	SEALER FILM	1	EA	
7	022271-000	SCREW : 4MM X 8MM	4	EA	
8	078756-000	LATCH HEAD LEFT	1	EA	
	NOTE	(ON OR AFTER SERIAL V5240A018617 OR IF KIT WAS INSTALLED)		EA	
9	062635-000	SPECIAL SCREW	2	EA	
10	078757-000	LATCH SPRING	2	EA	
	NOTE	(ON OR AFTER SERIAL V5240A018617 OR IF KIT WAS INSTALLED)		EA	
11	078755-000	LATCH HEAD RIGHT	1	EA	
	NOTE	(ON OR AFTER SERIAL V5240A018617 OR IF KIT WAS INSTALLED)		EA	
12	062638-000	DOOR CUSHION VERTICAL	1	EA	
13	062637-000	DOOR CUSHION HORIZONTAL	1	EA	
14	062628-000	DOOR FRAME ASSY (VMOD5240SS)	1	EA	
NI	082828-000	LATCH HEAD KIT (INCLUDES SPINGS AND BOTH LATCH HEADS)	1	EA	
	NOTE	(BEFORE SERIAL V5240A018617)		EA	



Appendix A:Pages Index

VMOD5240 Door	4
VMOD5240 Drawer Cabint	3
VMOD5240 Drawer Cavity	1
VMOD5240 Drawer Control	2

Appendix B:Parts Index

005228-000	1	062598-000	4
011843-000	1, 3	062599-000	1
011866-000	1	062600-000	1
011877-000	1, 3	062601-000	4
011907-000	1	062602-000	1
011970-000	1	062603-000	1
011999-000	1	062604-000	1
012005-000	1	062605-000	1
012006-000	1	062606-000	1
019111-000	1	062607-000	1
022271-000	4	062608-000	1
022355-000	1	062609-000	1
022383-000	1	062610-000	3
022495-000	1	062611-000	1
028576-000	1	062612-000	1
037105-000	1	062613-000	1
062574-000	1	062614-000	1
062575-000	1	062615-000	1
062576-000	1	062616-000	1
062577-000	1, 3	062617-000	1
062578-000	1	062618-000	1
062579-000	1	062619-000	1
062580-000	1	062620-000	1
062581-000	1	062621-000	1
062582-000	1	062622-000	1
062583-000	1	062623-000	1
062584-000	1	062624-000	1
062585-000	1	062625-000	1
062586-000	3	062626-000	1
062587-000	3	062627-000	1
062588-000	3	062628-000	4
062589-000	3	062630-000	4
062590-000	3	062634-000	4
062591-000	3	062635-000	4
062592-000	1	062636-000	4
062593-000	2	062637-000	4
062594-000	2	062638-000	4
062595-000	2	062641-000	3
062596-000	2	062642-000	1
062597-000	1	062643-000	4
		062644-000	1



062645-000 1
062646-000 1
062647-000 3
062648-000 1
062649-000 1
062650-000 1
067596-000 1
067597-000 1
067598-000 1
067599-000 1
067600-000 1
067601-000 1
067602-000 2
067603-000 2
072125-000 1
072126-000 1
072127-000 1
072128-000 1
072129-000 1
072130-000 1
072131-000 1
072132-000 2
072133-000 2
072134-000 1
072135-000 1
078755-000 4
078756-000 4
078757-000 4
082828-000 4
PM100016 1
PM100075 1
PM120002 1
PM120003 1
PM120034 1