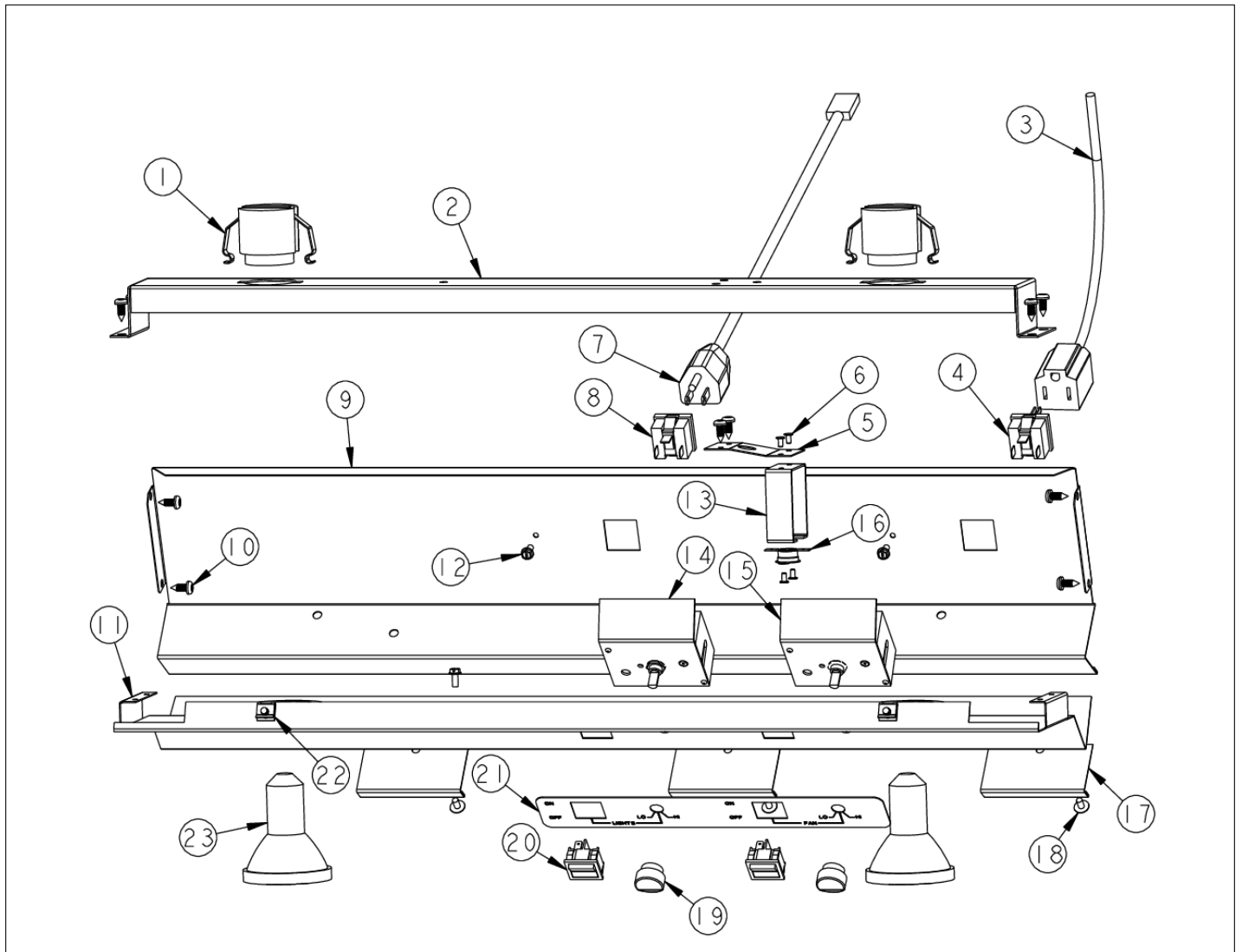


VWH3010

CONTROL AREA	1
FILTER AREA	2
HOOD EXTERNAL	3
PE070555 WIRING HARNESS	4
Appendix A:Pages Index	A
Appendix B:Parts Index	B

CONTROL AREA

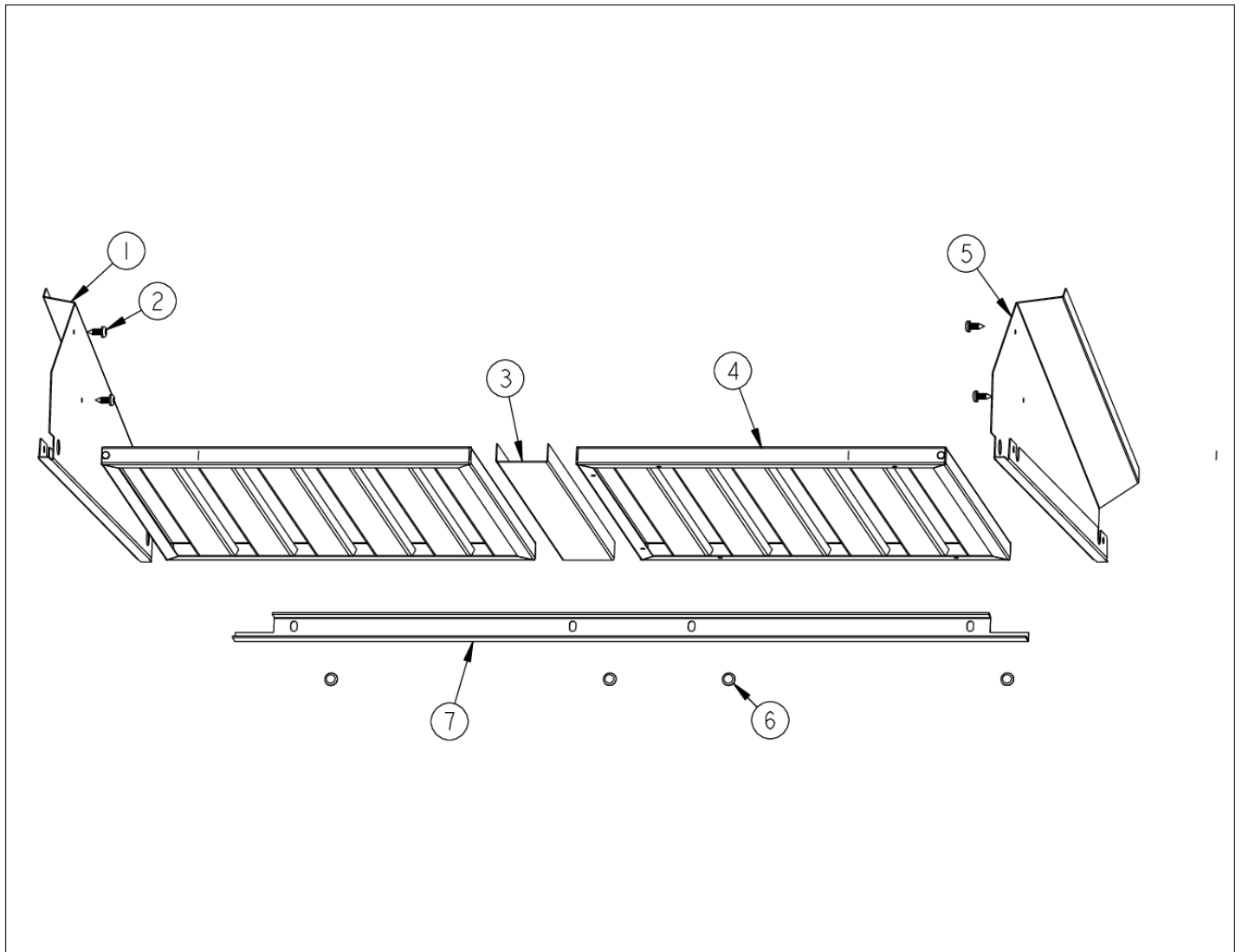


Item	Part No.	Name	Qty	Uom	NOTES
1	013549-000	LIGHT SOCKET (125C LEADS)	2	EA	
2	A2003801	LIGHT SUPT (VWH3010)	1	EA	
3	039680-000	CORD, PWR, SUPPLY, VNT HD	1	EA	
4	PE070197	MALE SOCKET (3 PRONG)	1	EA	
5	B2003837	HEAT SENSOR BRKT	1	EA	
6	PC040010	POP RIVET (.063/GR -.125) GAMD42-A	2	EA	
7	PE070542	3-PRONG MALE CORD W/AMP CON	1	EA	
8	PE070541	3-PRONG FEMALE SOCKET	1	EA	
9	B2003805	CTRL PAN TOP (VWH3010) (SERVICE ONLY)	1	EA	NO LONGER AVAILABLE, Not available online / Call for pricing and availability
	NOTE	(BEFORE 2/10/04)		EA	
9	B20010261	CONTROL PANEL TOP (VWH3010)	1	EA	
	NOTE	(AFTER 2/10/04)		EA	
10	PD020087	10 X 1/2 PAN PH. TEK ZINC	4	EA	
11	B2003803	CTRL PAN FORMED (VWH3010)	1	EA	
12	PD020010	10 X 3/8 GREEN GROUNDING SCREW	2	EA	
13	A2103810	THERMODISC BRACKET	1	EA	
14	PE050141	PRO LIGHT CONTROL	1	EA	
15	PE050156	PRO BLOWER CONTROL	1	EA	
16	PJ030014	HEAT SENSOR (N.O.) 160 DEG.	1	EA	
17	B20010269	FILTER FRONT BRKT (VWH30/3610)	3	EA	
	NOTE	(AFTER 2/10/04)		EA	
18	PD020032	SRW-8(A)X3/8"PH.WFR HD 7/16DIA*NICL	3	EA	
19	PA010071	LIGHT/MOTOR CONTROLLER KNOB	2	EA	
20	PE050048	FAN/LIGHT SWITCH (HOODS) EP0M11J	2	EA	
21	PE040131	CTRL PNL GRPH REPL (30/3610 36/4208)	1	EA	
22	PD030059	TINNERMAN CLIP (U-TYPE)	2	EA	



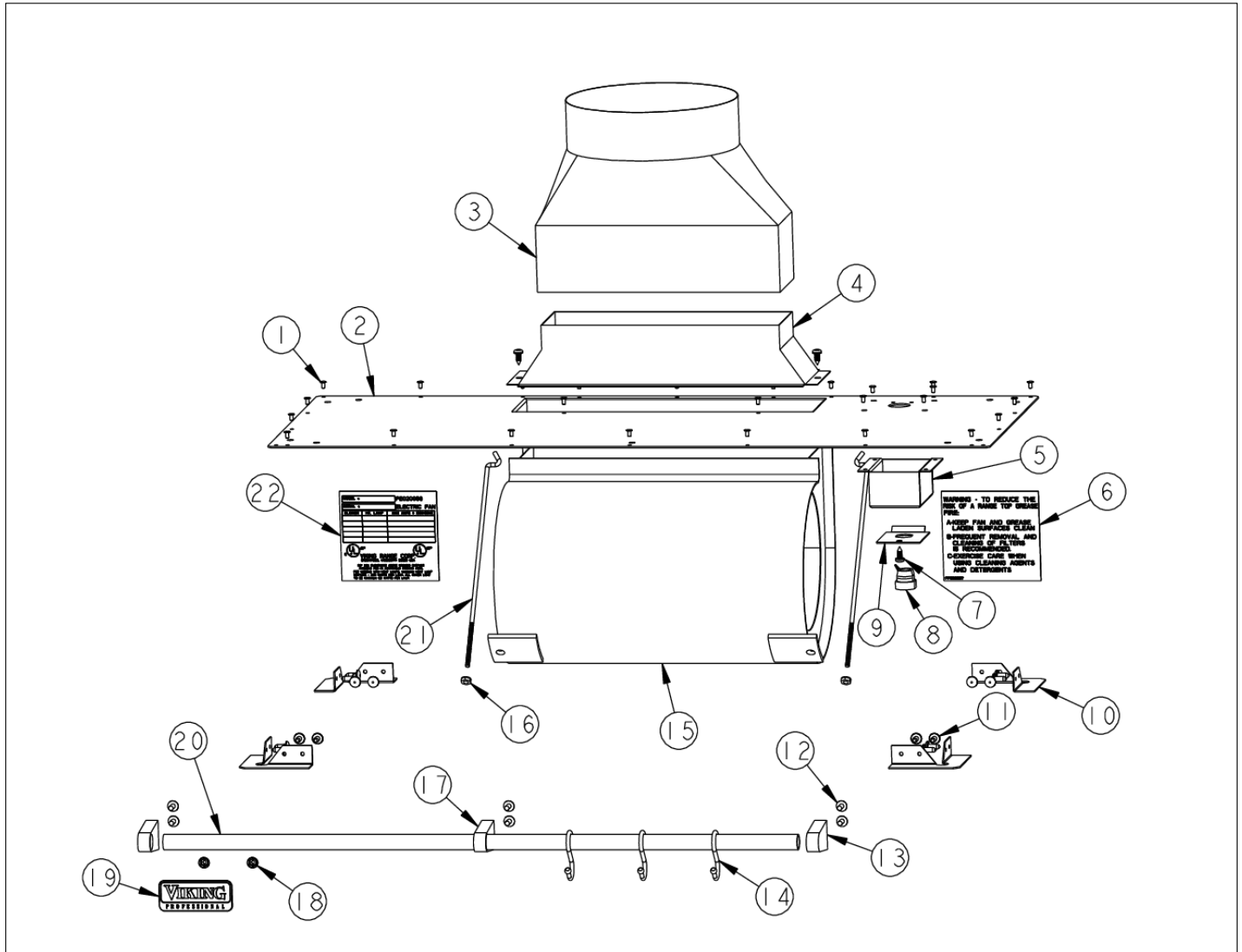
Item	Part No.	Name	Qty	Uom	NOTES
23	081091-000	BULB, HALOGEN, 38W, 120V	2	EA	

FILTER AREA



Item	Part No.	Name	Qty	Uom	NOTES
1	B2003815	HOOD I/S SIDE RH (21" DEEP)	1	EA	
2	PD020087	10 X 1/2 PAN PH. TEK ZINC	4	EA	
3	B2007005	FILTER SPACER (VWH3010) 1.75 X 12.75	1	EA	
4	G31010264	FILTER ASSEMBLY (VWH30/3610) 12.875 x 12.5	2	EA	
5	B2003816	HOOD I/S SIDE LH (21" DEEP)	1	EA	
6	PD020032	SRW-8(A)X3/8"PH.WFR HD 7/16DIA*NICL	4	EA	
7	B2008715	REAR FILTER SUPPORT (VWH3010)	1	EA	

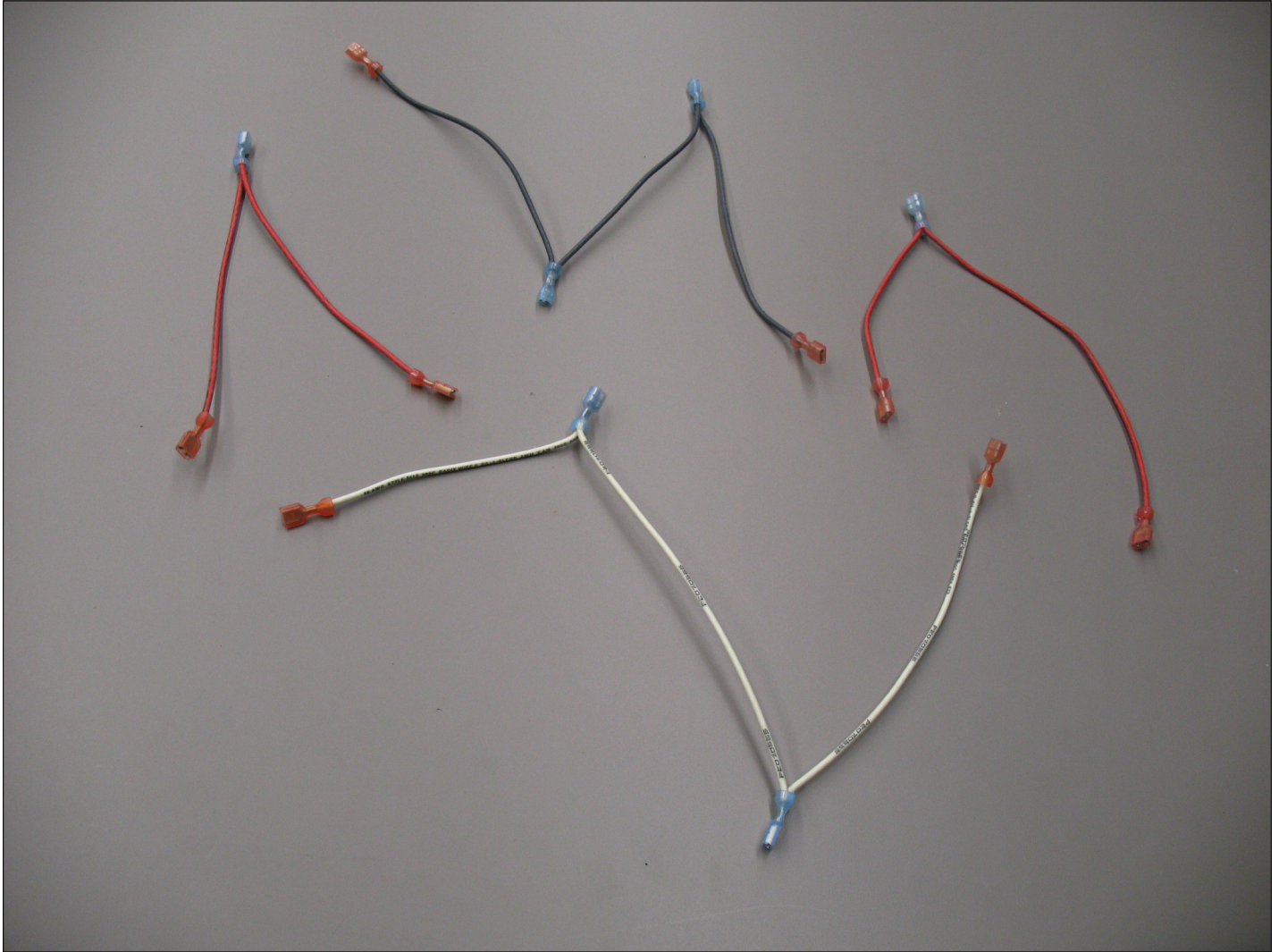
HOOD EXTERNAL



Item	Part No.	Name	Qty	Uom	NOTES
1	PC040010	POP RIVET (.063/GR -.125) GAMD42-A		EA	
2	A2003946	HOOD TOP (VWH3610)		EA	NO LONGER AVAILABLE, Not available online / Call for pricing and availability
3	PM010045	3 1/4" x 10" RECT. TO 7" DIA(TRANS)		EA	
4	PE050043	DAMPER/TRANSITION 460 CRM 97006078		EA	
5	PF030337	HOOD WARNING LABEL		EA	
6	A2003825	ROUGH IN BOX (VWH30/3610)		EA	
7	PE070204	HEYCO STRAIN RELIEF - 7-P2		EA	
8	A2003826	ROUGH IN BOX COVER (VWH30/3610)		EA	
9	PD020087	10 X 1/2 PAN PH. TEK ZINC		EA	
10	PD020002	10 X 1/2 PH.TR.HD.SMS.		EA	
11	A2103817	CORNER BRACKET		EA	
12	PD010003	10-24 X 1/2 PH.TR.HD.SERD.M.S.		EA	
13	PE030054	END CAP - SS		EA	
	PE030055	END CAP - BR		EA	
14	PE050042	BLOWER INT 460 CFM 97007542		EA	
NI	072617-000	HARN, JUMPER		EA	
15	PE030076	CHROME "S" HOOKS REPL PV100012SS		EA	
	PE030077	BR 'S' HOOKS REPL PV100012BR		EA	
16	PE030052	SUPPORT TUBE, HOLE THROUGH		EA	NO LONGER AVAILABLE
	PE030053	MIDDLE RAIL SUPPORT - BR		EA	
17	PD030006	CAPPED WASHER PAL NUT		EA	
18	PE010142	3" LOGO *BK**CHROME		EA	
	PE010143	3" LOGO, BK/BR		EA	
	PE010144	3" LOGO *WH*CHROME		EA	NO LONGER AVAILABLE
	PE010145	LOGO - WH / BR		EA	

Item	Part No.	Name	Qty	Uom	NOTES
19	PE030058	36" ACCESSORY RAIL SS		EA	
	PE030059	36" BRASS ACCESSORY RAIL		EA	
20	PD030131	' #10-24 HEX NUT W/NYLON LOCK RING		EA	
21	PD010035	BLOWER MTG ROD #10-24 99420464		EA	
22	PE020058	RATING LABEL (ADHESIVE)		EA	
NI	PE070542	3-PRONG MALE CORD W/AMP CON		EA	
NI	PE070205	3 Prong Female Supply Cord		EA	

PE070555 WIRING HARNESS





Item	Part No.	Name	Qty	Uom	NOTES
1	PE070555	VWH30/3610 WIRE KIT	1	EA	



Appendix A:Pages Index

CONTROL AREA 1
FILTER AREA 2
HOOD EXTERNAL 3
PE070555 WIRING HARNESS 4



Appendix B:Parts Index

013549-000	1	PE030058	3
039680-000	1	PE030059	3
072617-000	3	PE030076	3
081091-000	1	PE030077	3
A2003801	1	PE040131	1
A2003825	3	PE050042	3
A2003826	3	PE050043	3
A2003946	3	PE050048	1
A2103810	1	PE050141	1
A2103817	3	PE050156	1
B20010261	1	PE070197	1
B20010269	1	PE070204	3
B2003803	1	PE070205	3
B2003805	1	PE070541	1
B2003815	2	PE070542	1, 3
B2003816	2	PE070555	4
B2003837	1	PF030337	3
B2007005	2	PJ030014	1
B2008715	2	PM010045	3
G31010264	2		
PA010071	1		
PC040010	1, 3		
PD010003	3		
PD010035	3		
PD020002	3		
PD020010	1		
PD020032	1, 2		
PD020087	1, 2, 3		
PD030006	3		
PD030059	1		
PD030131	3		
PE010142	3		
PE010143	3		
PE010144	3		
PE010145	3		
PE020058	3		
PE030052	3		
PE030053	3		
PE030054	3		
PE030055	3		