

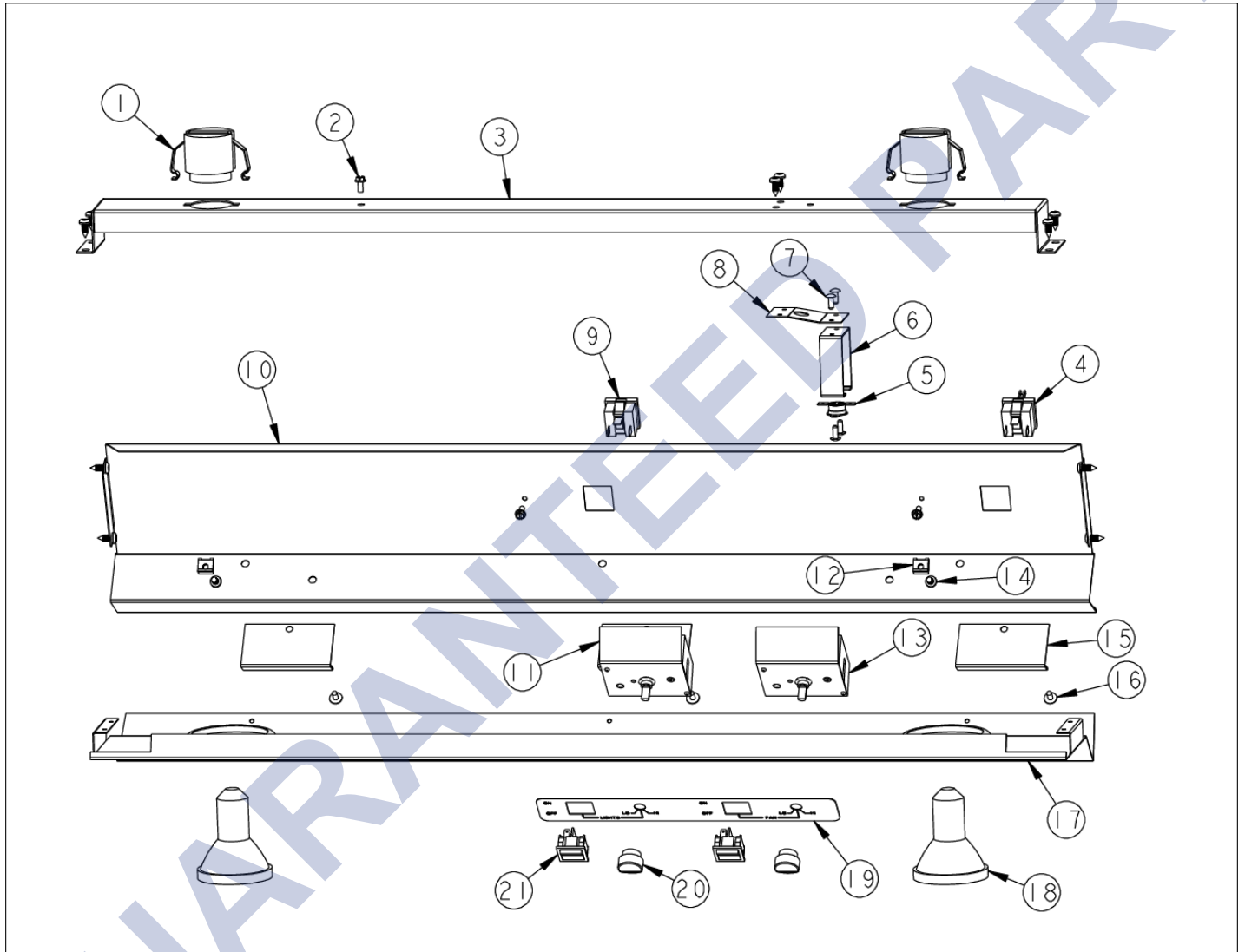
**VWH3610**

**GUARANTEED PARTS**

CONTROL AREA ..... 1  
FILTER AREA ..... 2  
HOOD EXTERNAL ..... 3  
PE070555 WIRE HARNESS ..... 4  
Appendix A:Pages Index ..... A  
Appendix B:Parts Index ..... B

GUARANTEED PARTS

CONTROL AREA

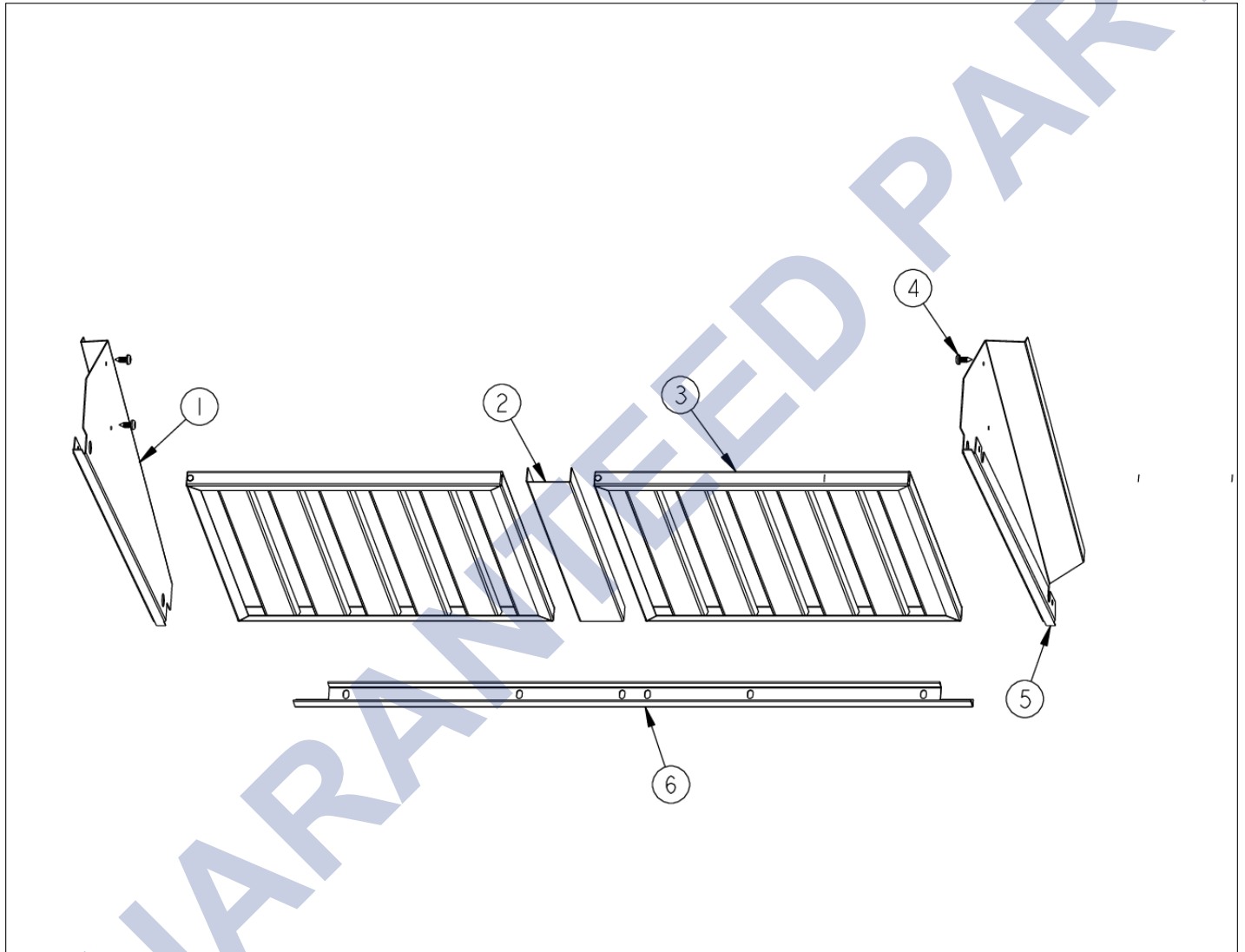


Item	Part No.	Name	Qty	Uom	NOTES
1	013549-000	LIGHT SOCKET (125C LEADS)		EA	
2	PD020010	10 X 3/8 GREEN GROUNDING SCREW		EA	
3	A2003821	LIGHT SUPT (VWH3610)		EA	
4	PE070197	MALE SOCKET (3 PRONG)		EA	
5	PJ030014	HEAT SENSOR (N.O.) 160 DEG.		EA	
6	A2103810	THERMODISC BRACKET		EA	
7	PC040010	POP RIVET (.063/GR -.125) GAMD42-A		EA	
8	B2003837	HEAT SENSOR BRKT		EA	
9	PE070541	3-PRONG FEMALE SOCKET		EA	
10	B2003803	CTRL PAN FORMED (VWH3010)		EA	
	NOTE	(Before 02/10/04)		EA	
	B20010262	CONTROL PANEL TOP (VWH3610)		EA	
	NOTE	(After 02/10/04)		EA	
11	PE050141	PRO LIGHT CONTROL		EA	
12	PD030059	TINNERMAN CLIP (U-TYPE)		EA	
13	PE050156	PRO BLOWER CONTROL		EA	
14	PD020087	10 X 1/2 PAN PH. TEK ZINC		EA	
15	B20010269	FILTER FRONT BRKT (VWH30/3610)		EA	
	NOTE	(After 02/10/04)		EA	
16	PD020032	SRW-8(A)X3/8"PH.WFR HD 7/16DIA*NICL		EA	
17	B2003823	CTRL PAN FORMED (VWH3610 )		EA	NO LONGER AVAILABLE, Not available online / Call for pricing and availability
18	081091-000	BULB, HALOGEN, 38W, 120V		EA	
19	PE040131	CTRL PNL GRPH REPL (30/3610 36/4208)		EA	
20	PA010071	LIGHT/MOTOR CONTROLLER KNOB		EA	
21	PE050048	FAN/LIGHT SWITCH (HOODS) EP0M11J		EA	
NI	PD020016	10X1 1/2 WOOD SCREWS		EA	

Item	Part No.	Name	Qty	Uom	NOTES
	NOTE	Installation Screw - Qty 8		EA	

GUARANTEED PARTS

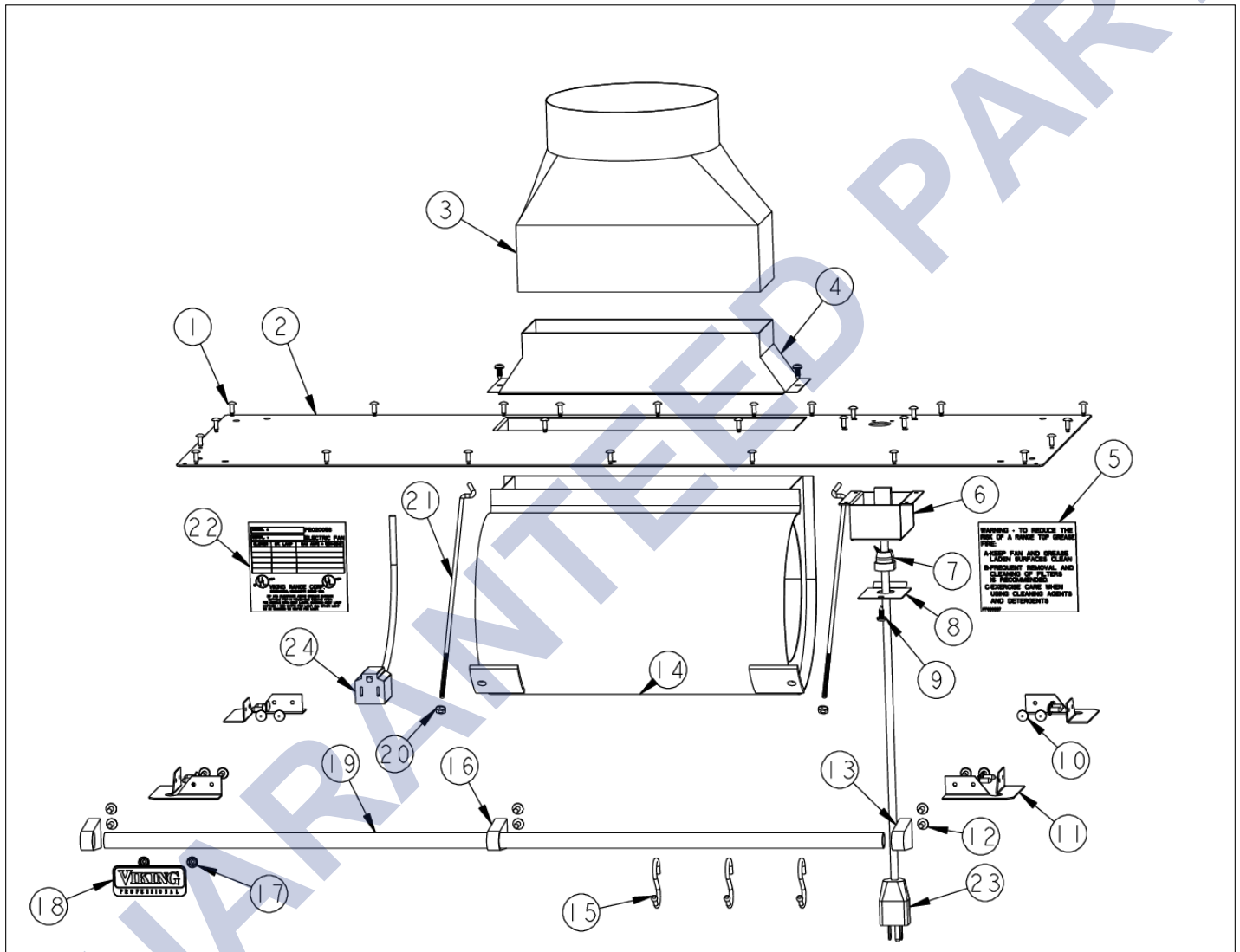
FILTER AREA



Item	Part No.	Name	Qty	Uom	NOTES
1	B2003815	HOOD I/S SIDE RH (21" DEEP)	1	EA	NO LONGER AVAILABLE
2	B2007009	FILTER SPACER (VWH3610) 7.75 X 12.75	1	EA	
3	G31010264	FILTER ASSEMBLY (VWH30/3610) 12.875 x 12.5	1	EA	
4	PD020087	10 X 1/2 PAN PH. TEK ZINC	1	EA	
5	B2003816	HOOD I/S SIDE LH (21" DEEP)	1	EA	NO LONGER AVAILABLE
6	B2008716	REAR FILTER SUPPORT (VWH3610)	1	EA	

GUARANTEED PARTS

HOOD EXTERNAL



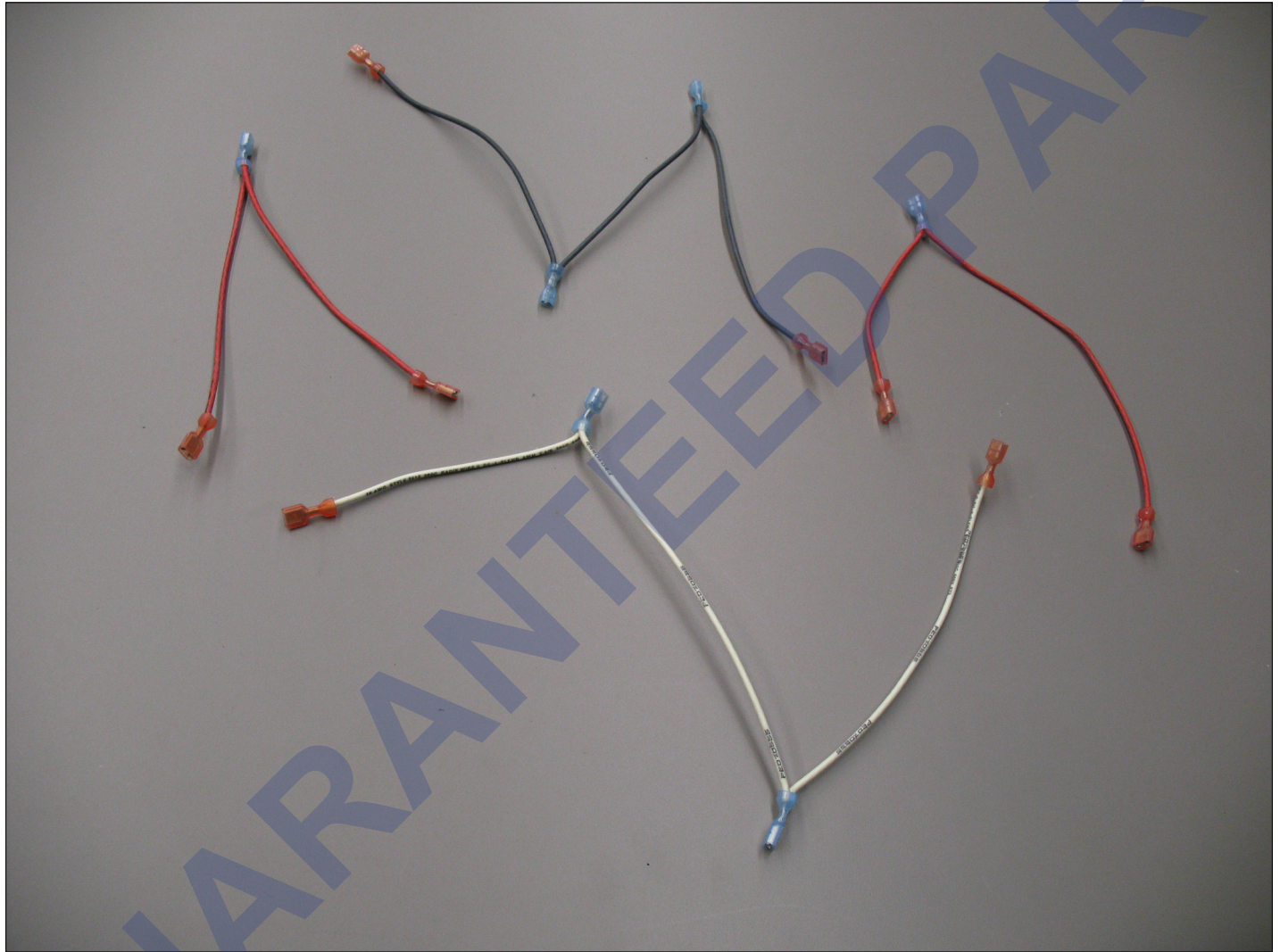


Item	Part No.	Name	Qty	Uom	NOTES
1	PC040010	POP RIVET (.063/GR -.125) GAMD42-A	1	EA	
2	A2003946	HOOD TOP (VWH3610)	1	EA	NO LONGER AVAILABLE, Not available online / Call for pricing and availability
3	PM010045	3 1/4" x 10" RECT. TO 7" DIA (TRANS)	1	EA	
4	PE050043	DAMPER/TRANSITION 460 CRM 97006078	1	EA	
5	PF030337	HOOD WARNING LABEL	1	EA	
6	A2003825	ROUGH IN BOX (VWH30/3610)	1	EA	
7	PE070204	HEYCO STRAIN RELIEF - 7-P2	1	EA	
8	A2003826	ROUGH IN BOX COVER (VWH30/3610)	1	EA	
9	PD020087	10 X 1/2 PAN PH. TEK ZINC	1	EA	
10	PD020002	10 X 1/2 PH.TR.HD.SMS.	1	EA	
11	A2103817	CORNER BRACKET	1	EA	
12	PD010003	10-24 X 1/2 PH.TR.HD.SERD.M.S.	1	EA	
13	PE030054	END CAP - SS	1	EA	
	PE030055	END CAP - BR	1	EA	
14	PE050042	BLOWER INT 460 CFM 97007542	1	EA	
15	PE030076	CHROME "S" HOOKS REPL PV100012SS	1	EA	
	PE030077	BR 'S' HOOKS REPL PV100012BR	1	EA	
16	PE030052	SUPPORT TUBE, HOLE THROUGH	1	EA	NO LONGER AVAILABLE
	PE030053	MIDDLE RAIL SUPPORT - BR	1	EA	
17	PD030006	CAPPED WASHER PAL NUT	1	EA	
18	PE010142	3" LOGO *BK**CHROME	1	EA	
	PE010143	3" LOGO, BK/BR	1	EA	
	PE010144	3" LOGO *WH*CHROME	1	EA	NO LONGER AVAILABLE
	PE010145	LOGO - WH / BR	1	EA	
19	PE030058	36" ACCESSORY RAIL SS	1	EA	

Item	Part No.	Name	Qty	Uom	NOTES
	PE030059	36" BRASS ACCESSORY RAIL	1	EA	
20	PD030131	' #10-24 HEX NUT W/NYLON LOCK RING	1	EA	
21	PD010035	BLOWER MTG ROD #10-24 99420464	1	EA	
22	PE020058	RATING LABEL (ADHESIVE)	1	EA	
23	PE070542	3-PRONG MALE CORD W/AMP CON	1	EA	
24	039680-000	CORD, PWR, SUPPLY, VNT HD	1	EA	

GUARANTEED PARTS

PE070555 WIRE HARNESS



Item	Part No.	Name	Qty	Uom	NOTES
1	PE070555	VWH30/3610 WIRE KIT	1	EA	

GUARANTEED PARTS

Appendix A:Pages Index

CONTROL AREA .....	1
FILTER AREA .....	2
HOOD EXTERNAL .....	3
PE070555 WIRE HARNESS .....	4

GUARANTEED PARTS

Appendix B:Parts Index

013549-000	1	PE030058	3
039680-000	3	PE030059	3
081091-000	1	PE030076	3
A2003821	1	PE030077	3
A2003825	3	PE040131	1
A2003826	3	PE050042	3
A2003946	3	PE050043	3
A2103810	1	PE050048	1
A2103817	3	PE050141	1
B20010262	1	PE050156	1
B20010269	1	PE070197	1
B2003803	1	PE070204	3
B2003815	2	PE070541	1
B2003816	2	PE070542	3
B2003823	1	PE070555	4
B2003837	1	PF030337	3
B2007009	2	PJ030014	1
B2008716	2	PM010045	3
G31010264	2		
PA010071	1		
PC040010	1, 3		
PD010003	3		
PD010035	3		
PD020002	3		
PD020010	1		
PD020016	1		
PD020032	1		
PD020087	1, 2, 3		
PD030006	3		
PD030059	1		
PD030131	3		
PE010142	3		
PE010143	3		
PE010144	3		
PE010145	3		
PE020058	3		
PE030052	3		
PE030053	3		
PE030054	3		
PE030055	3		