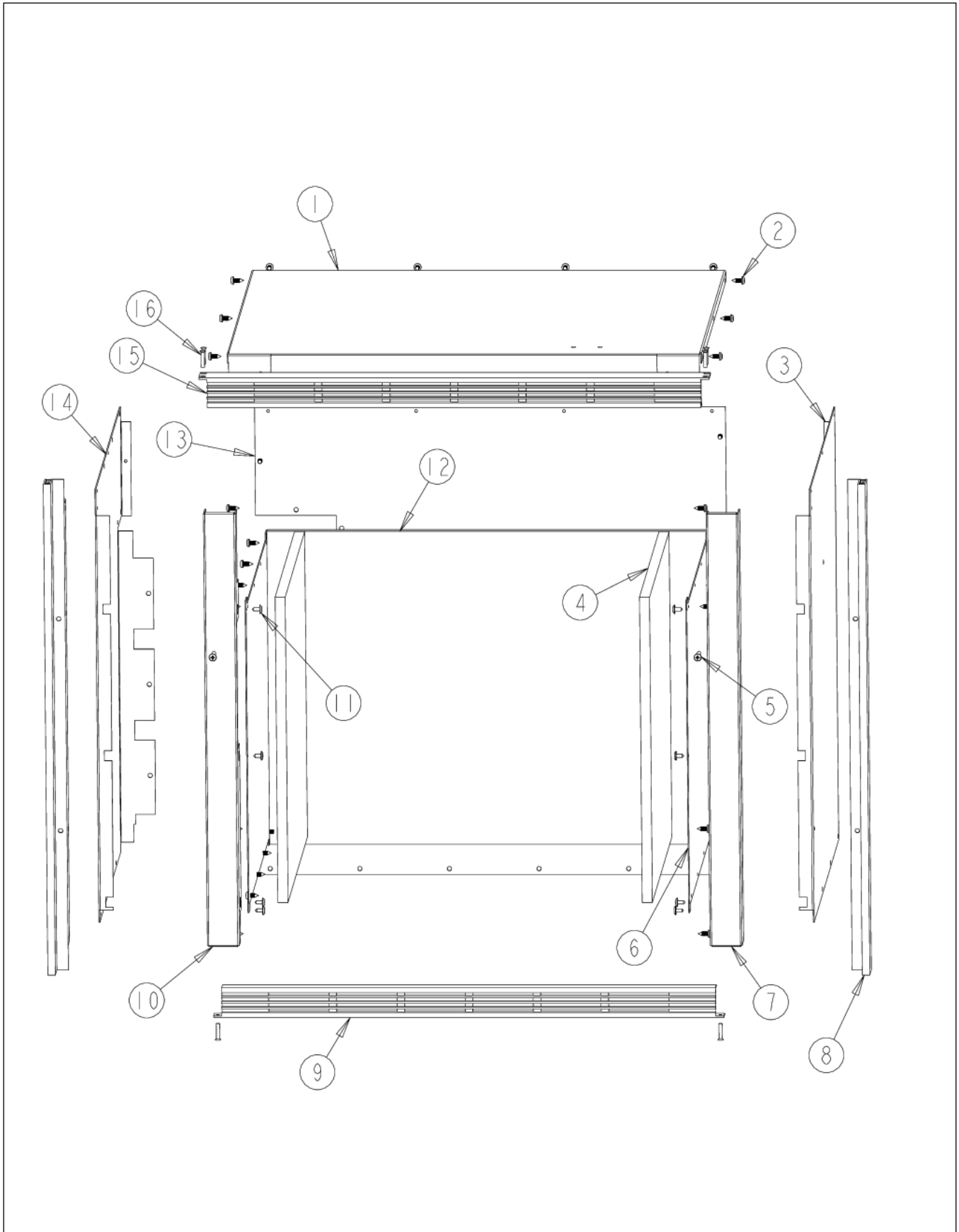


VGSO260T

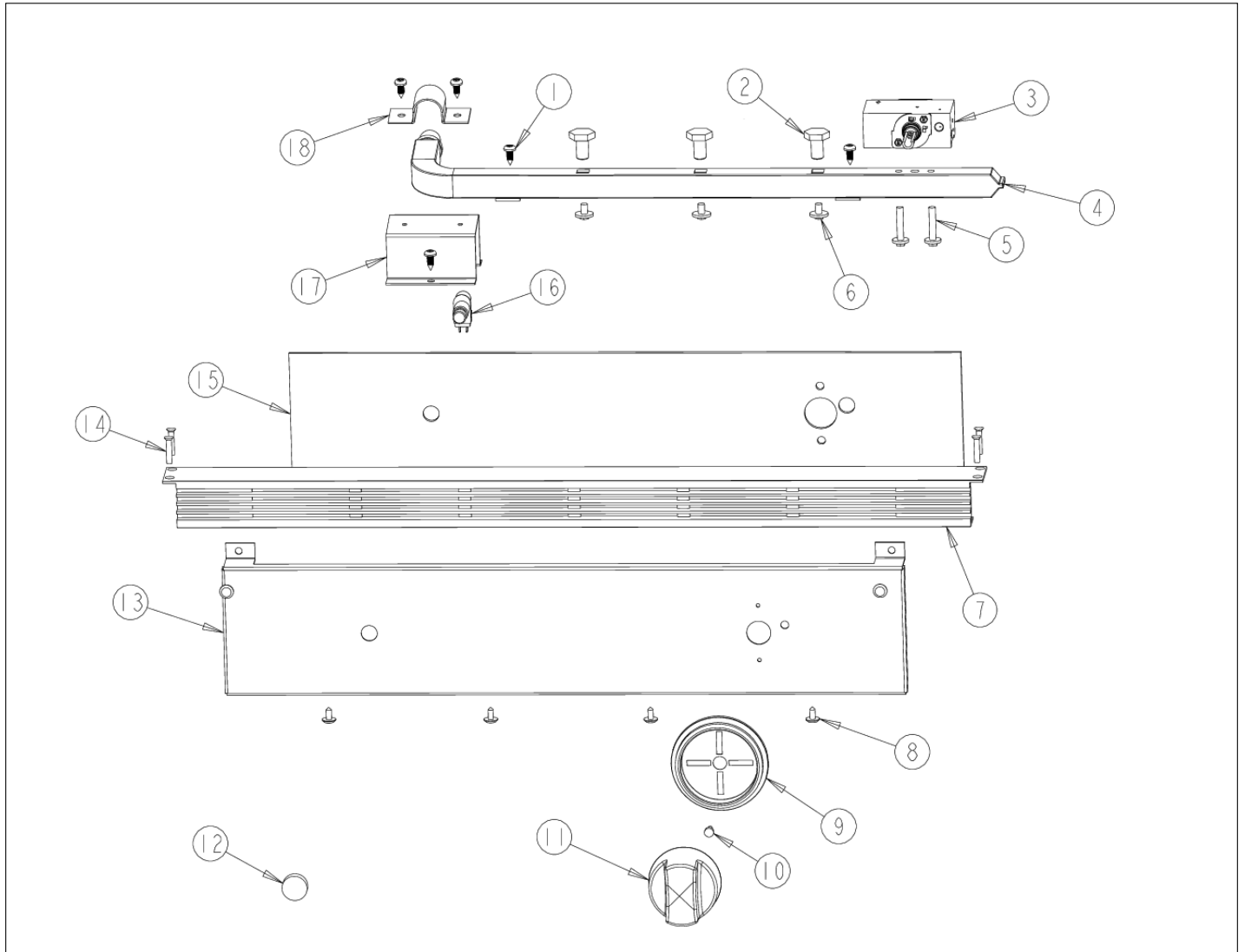
CABINET EXTERIOR AREA	1
CONTROL AREA	2
DOOR ASSEMBLY	3
LOWER UNIT AREA	4
OVEN CAVITY AREA	5
TUBING AREA	6
UPPER UNIT AREA	7
WIRING	8
Appendix A:Pages Index	A
Appendix B:Parts Index	B

CABINET EXTERIOR AREA



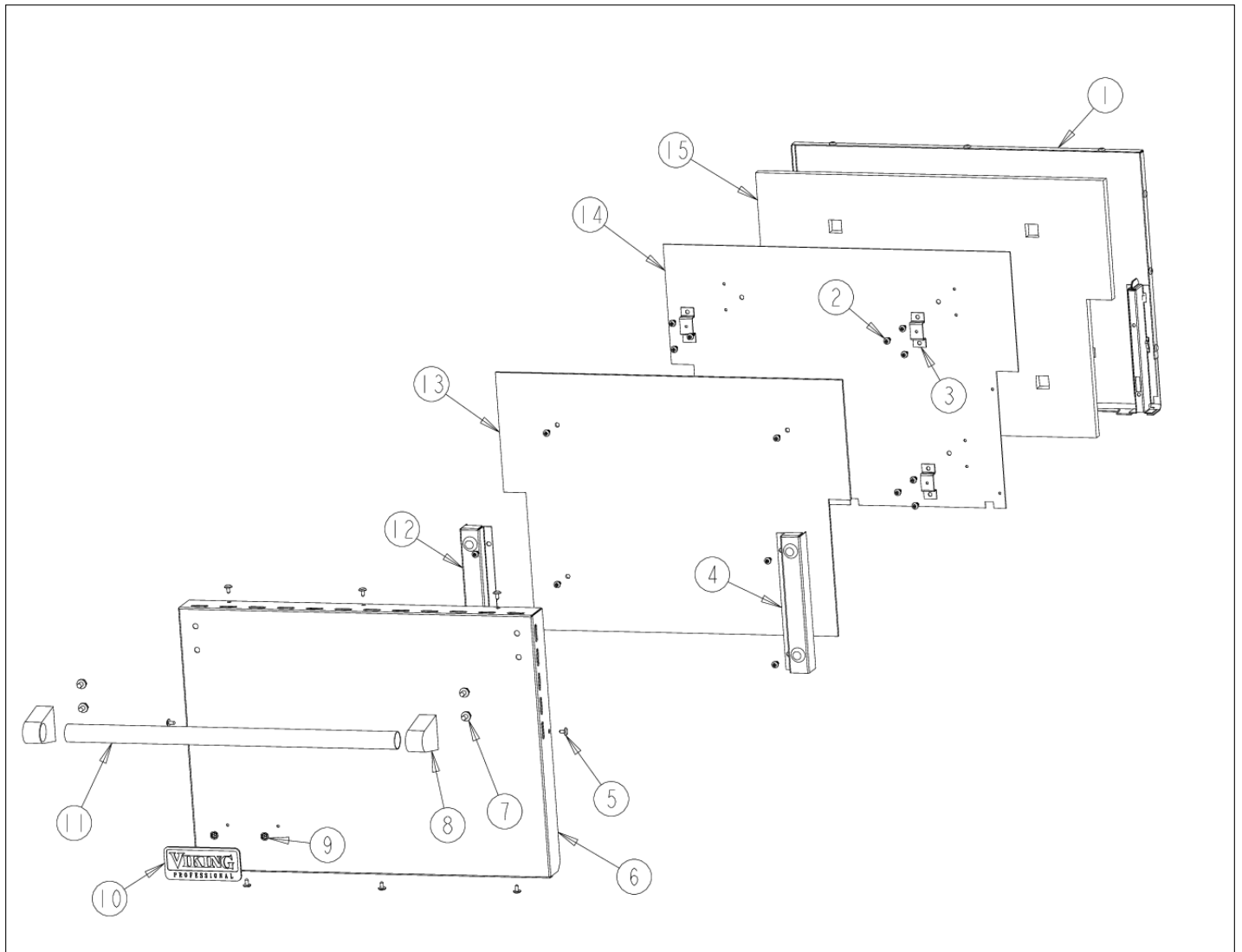
Item	Part No.	Name	Qty	Uom	NOTES
1	B20010847	OVEN TOP	1	EA	NO LONGER AVAILABLE, Not available online / Call for pricing and availability
2	PD020055	#10 X 1/2" PAN PHIL. TEK.*SS*	1	EA	
3	B20010845	OVEN SIDE	1	EA	NO LONGER AVAILABLE, Not available online / Call for pricing and availability
4	PB070263	SUPERWOOL 1/2" X 19" X 3'	1	EA	
5	PD020064	SCREW-10 X 1 1/4 PAN PHIL SMS BLACK	1	EA	
6	B20010821	SIDE INSULATION RETAINER	1	EA	NO LONGER AVAILABLE, Not available online / Call for pricing and availability
7	B20010853	SIDE SPACER RH	1	EA	Not available online / Call for pricing and availability
8	PE040225	SIDE EXTRUSION	1	EA	NO LONGER AVAILABLE
9	PE040227	BOTTOM EXTRUSION	1	EA	NO LONGER AVAILABLE
10	B20010854	SIDE SPACER LH	1	EA	NO LONGER AVAILABLE
11	PD020032	SRW-8(A)X3/8"PH.WFR HD 7/16DIA*NICL	1	EA	
12	PB070263	SUPERWOOL 1/2" X 19" X 3'	1	EA	
13	B10010848	OVEN BACK	1	EA	NO LONGER AVAILABLE, Not available online / Call for pricing and availability
14	B20012167	OVEN SIDE	1	EA	NO LONGER AVAILABLE, Not available online / Call for pricing and availability
15	PE040226	TOP EXTRUSION	1	EA	Not available online / Call for pricing and availability
16	PD020043	#6-32 X .750 PH. CTRSK T(F)-VGSO166	1	EA	

CONTROL AREA



Item	Part No.	Name	Qty	Uom	NOTES
1	PD020055	#10 X 1/2" PAN PHIL. TEK.*SS*	1	EA	
2	PA010012	ROPER PLUG	1	EA	
3	PB010265	THERMOSTAT	1	EA	
4	PA050099	MANIFOLD	1	EA	NO LONGER AVAILABLE
5	PD020173	MANIFOLD BOLT	1	EA	NO LONGER AVAILABLE
6	PD010012	VALVE BOLT 1/4-20 UNC-2B 5/16" M.S.	1	EA	
7	PE040226	TOP EXTRUSION	1	EA	Not available online / Call for pricing and availability
8	PD020032	SRW-8(A)X3/8"PH.WFR HD 7/16DIA*NICL	1	EA	
9	050172-000	BEZEL, KNOB	1	EA	
	PB010209	Bezel - BR	1	EA	
10	PD020067	#6 X 3/8" PAN PHIL. TEK *SS*	1	EA	
11	PA010155	THERMOSTAT KNOB	1	EA	
12	PB010163	OVEN LIGHT SWITCH KNOB *BK* (VESO/D	1	EA	
13	B92014987	CONTROL PANEL	1	EA	Not available online / Call for pricing and availability
14	PD020043	#6-32 X .750 PH. CTRSK T(F)- VGSO166	1	EA	
15	J10012914	HEAT SINK	1	EA	Not available online / Call for pricing and availability
16	PE050063	SPARKER SWITCH (PHASE 2)	1	EA	
17	B20014987	MANIFOLD SUPPORT	1	EA	Not available online / Call for pricing and availability
18	A2002265	MOUNTING BRKT PIPE (VGSO166)	1	EA	NO LONGER AVAILABLE, Not available online / Call for pricing and availability

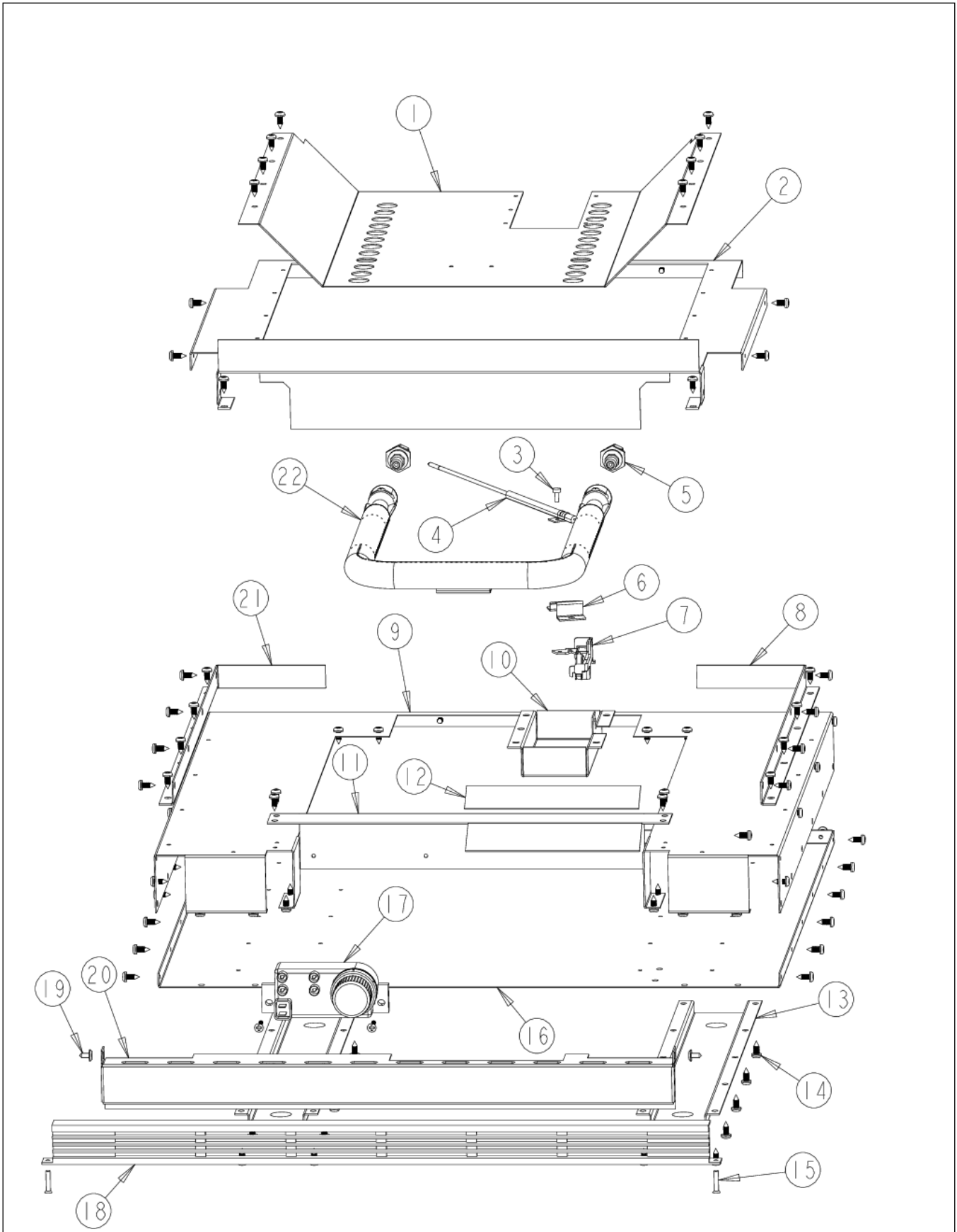
DOOR ASSEMBLY



Item	Part No.	Name	Qty	Uom	NOTES
1	G91010815	DOOR LINER WELD ASSY	1	EA	NO LONGER AVAILABLE
2	PD020055	#10 X 1/2" PAN PHIL. TEK.*SS*	1	EA	
3	B20010852	DOOR HEAT SINK BRACKET	1	EA	NO LONGER AVAILABLE, Not available online / Call for pricing and availability
4	A2002498	HINGE POCKET COVER RH	1	EA	
5	PD020032	SRW-8(A)X3/8"PH.WFR HD 7/16DIA*NICL	1	EA	
6	B20012170	OUTSIDE DOOR PANEL	1	EA	NO LONGER AVAILABLE
	C90012170FG	OUTSIDE DOOR PANEL *FG*	1	EA	NO LONGER AVAILABLE, Not available online / Call for pricing and availability
	C90012170GG	OUTSIDE DOOR PANEL *GG*	1	EA	NO LONGER AVAILABLE, Not available online / Call for pricing and availability
	C90012170VB	OUTSIDE DOOR PANEL *VB*	1	EA	NO LONGER AVAILABLE, Not available online / Call for pricing and availability
7	PD010019	BLT-1/4-20X3/8"HEX WASHER SERATED	1	EA	
8	000268-000	HANDLE ENDCAP	1	EA	
	PE030001PVD	END CAP DOOR HANDLE *BR	1	EA	
9	PD030006	CAPPED WASHER PAL NUT	1	EA	
10	PE010016	LOGO (ALL RANGES) *BK/CHR 307997W	1	EA	
	PE010079	4.5" LOGO/VIKING PROF *BK/BR	1	EA	
11	PE030134	DOOR HANDLE	1	EA	NO LONGER AVAILABLE
	PE030134PVD	DOOR HANDLE PVD	1	EA	NO LONGER AVAILABLE
12	A2002499	HINGE POCKET COVER LH	1	EA	

Item	Part No.	Name	Qty	Uom	NOTES
13	J10010851	DOOR HEAT SINK	1	EA	NO LONGER AVAILABLE, Not available online / Call for pricing and availability
14	B10010817	DOOR INSULATION RET.	1	EA	NO LONGER AVAILABLE, Not available online / Call for pricing and availability
15	PB070145	SUPERWOOL 5" X 24" X 3'	1	EA	
NI	G32012171FG	DOOR ASSY VGSO260T *FG*	1	EA	NO LONGER AVAILABLE, Not available online / Call for pricing and availability
	G32012171FGBR	DOOR ASSY VGSO260T *FGBR*	1	EA	NO LONGER AVAILABLE, Not available online / Call for pricing and availability
	G32012171GG	DOOR ASSY VGSO260T *GG*	1	EA	NO LONGER AVAILABLE, Not available online / Call for pricing and availability
	G32012171GGBR	DOOR ASSY VGSO260T *GGBR*	1	EA	NO LONGER AVAILABLE, Not available online / Call for pricing and availability
	G32012171SS	DOOR ASSY VGSO260T *SS*	1	EA	NO LONGER AVAILABLE, Not available online / Call for pricing and availability
	G32012171SSBR	DOOR ASSY VGSO260T *SSBR*	1	EA	NO LONGER AVAILABLE, Not available online / Call for pricing and availability
	G32012171VB	DOOR ASSY VGSO260T *VB*	1	EA	NO LONGER AVAILABLE, Not available online / Call for pricing and availability
	G32012171VBBR	DOOR ASSY VGSO260T *VBBR*	1	EA	NO LONGER AVAILABLE, Not available online / Call for pricing and availability

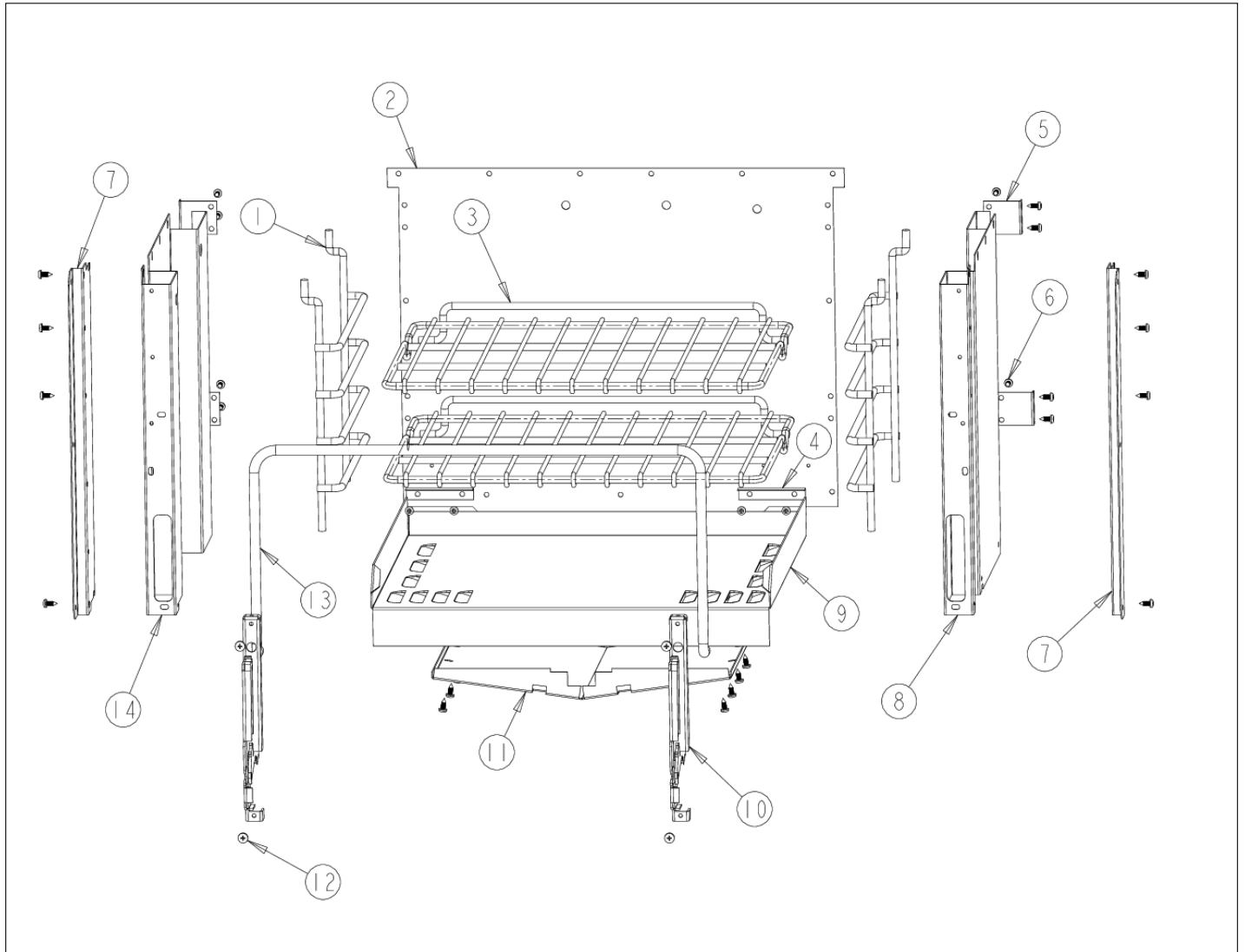
LOWER UNIT AREA



Item	Part No.	Name	Qty	Uom	NOTES
1	B20010803	OVEN BOTTOM	1	EA	
2	B20010809	BOTTOM AIR PLATE	1	EA	NO LONGER AVAILABLE, Not available online / Call for pricing and availability
3	PD020067	#6 X 3/8" PAN PHIL. TEK *SS*	1	EA	
4	PB040241	IGNITOR	1	EA	
5	PB040244	BULK HEAD ORIFICE FITTING	1	EA	
NI	PB040083	ORIFICE HOOD-#61 9701B1661	1	EA	
	NOTE	LP UNITS ONLY		EA	
NI	PB040063	ORIFICE HOOD-#52 9701B1652	1	EA	
6	B20010812	PILOT BRACKET	1	EA	NO LONGER AVAILABLE
7	PA020044	PILOT ASSY	1	EA	
8	B20010829	LOWER CART SIDE - RH	1	EA	NO LONGER AVAILABLE, Not available online / Call for pricing and availability
9	B20010843	BOTTOM AIR PLATE	1	EA	NO LONGER AVAILABLE, Not available online / Call for pricing and availability
10	B20014411	PILOT BRACKET	1	EA	
11	B20012169	SPARK MODULE BRACKET	1	EA	NO LONGER AVAILABLE, Not available online / Call for pricing and availability
12	PE020106	RATING LABEL	1	EA	Not available online / Call for pricing and availability
13	B2002902	RUNNER	1	EA	NO LONGER AVAILABLE, Not available online / Call for pricing and availability
14	PD020055	#10 X 1/2" PAN PHIL. TEK.*SS*	1	EA	
15	PD020043	#6-32 X .750 PH. CTRSK T(F)-VGSO166	1	EA	

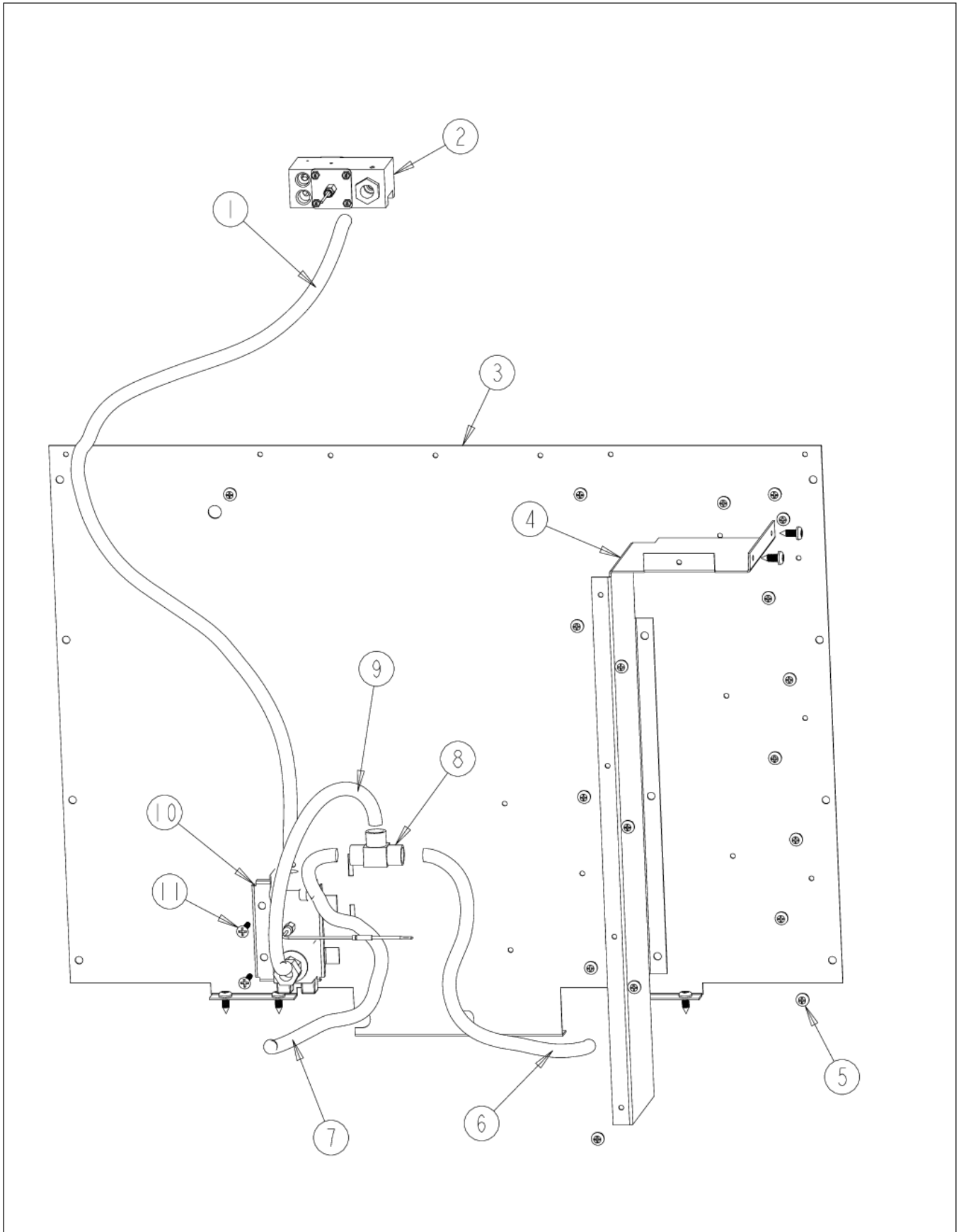
Item	Part No.	Name	Qty	Uom	NOTES
16	B20010844	OVEN BOTTOM	1	EA	NO LONGER AVAILABLE, Not available online / Call for pricing and availability
17	PA020036	SPARK MODULE	1	EA	
18	PE040227	BOTTOM EXTRUSON	1	EA	NO LONGER AVAILABLE
19	PD020032	SRW-8(A)X3/8"PH.WFR HD 7/16DIA*NICL	1	EA	
20	B20010855	BOTTOM SPACER	1	EA	NO LONGER AVAILABLE, Not available online / Call for pricing and availability
21	B20010827	OVEN MOUNTING BRACKET	1	EA	NO LONGER AVAILABLE, Not available online / Call for pricing and availability
22	PB050076	8" DUEL INJECTION BURNER	1	EA	NO LONGER AVAILABLE

OVEN CAVITY AREA



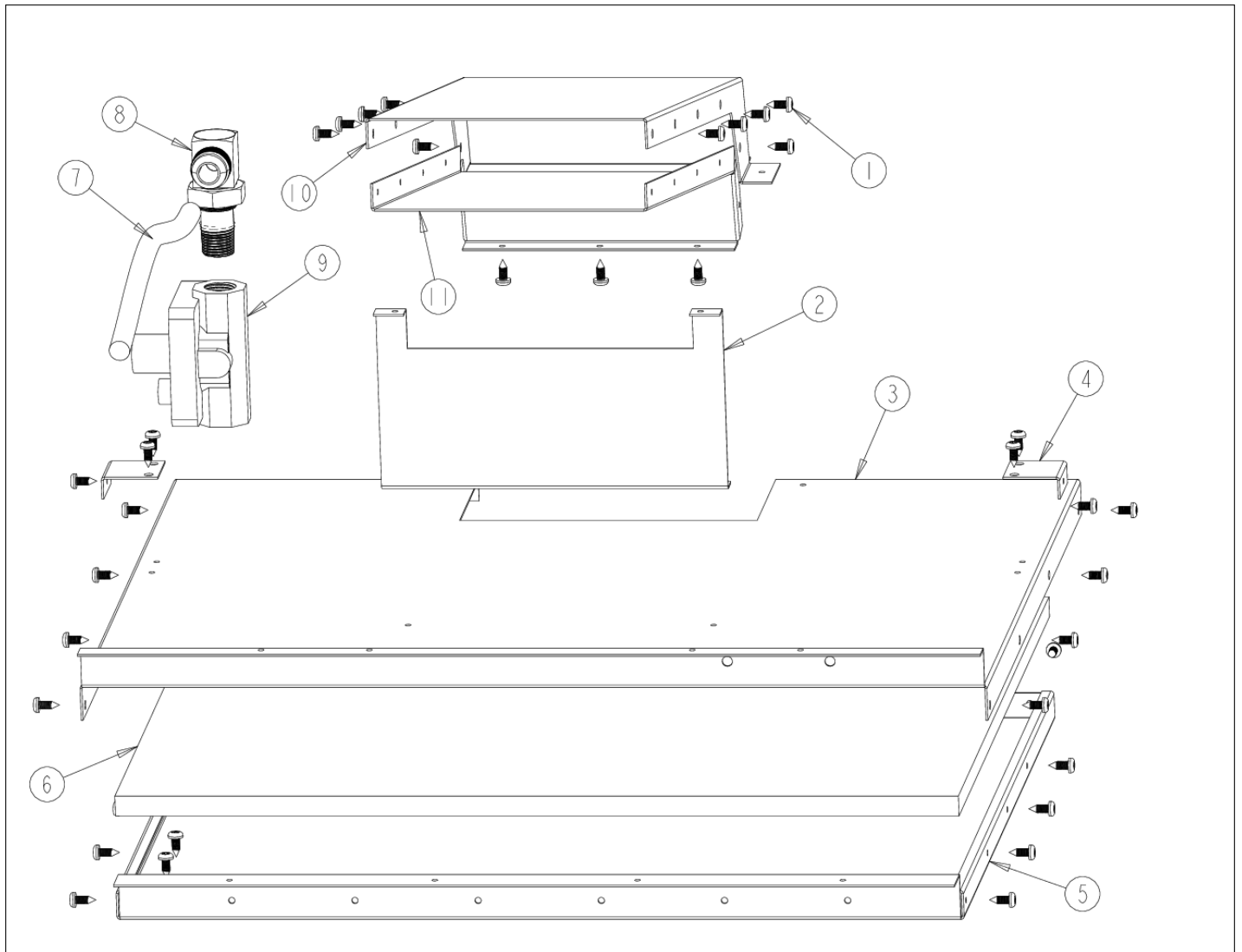
Item	Part No.	Name	Qty	Uom	NOTES
1	PB060022	OVEN RACK SUPT (VGSO166)	1	EA	
2	E91010808	OVEN BACK	1	EA	NO LONGER AVAILABLE, Not available online / Call for pricing and availability
3	PB060080	OVEN RACK VGIC 24 INCH	1	EA	NO LONGER AVAILABLE
4	A2000803	OVEN BTM SUPT - 36" B-IN	1	EA	
5	B20010824	REAR SUPPORT	1	EA	NO LONGER AVAILABLE, Not available online / Call for pricing and availability
6	PD020055	#10 X 1/2" PAN PHIL. TEK.*SS*	1	EA	
7	E91010820	SIDE LINER EXTENSION	1	EA	NO LONGER AVAILABLE
8	E91010805	OVEN SIDE - RH	1	EA	NO LONGER AVAILABLE, Not available online / Call for pricing and availability
9	G9107670	OVEN BOTTOM ASSY., VGIC245 (DOESN'T INCLUDE HEAT SHIELD, MUST ORDER HEAT SHIELD SEPARATELY)	1	EA	
10	PC020008	HINGE ASSY (RED)	1	EA	
11	B20010849	BOTTOM PAN HEAT SHIELD	1	EA	NO LONGER AVAILABLE
12	PD020056	#10-24 X 1/2" PH. TR. M.S. SS	1	EA	
13	PB070193	DOOR GASKET	1	EA	NO LONGER AVAILABLE, Not available online / Call for pricing and availability
14	E91010806	OVEN SIDE LH	1	EA	NO LONGER AVAILABLE, Not available online / Call for pricing and availability

TUBING AREA



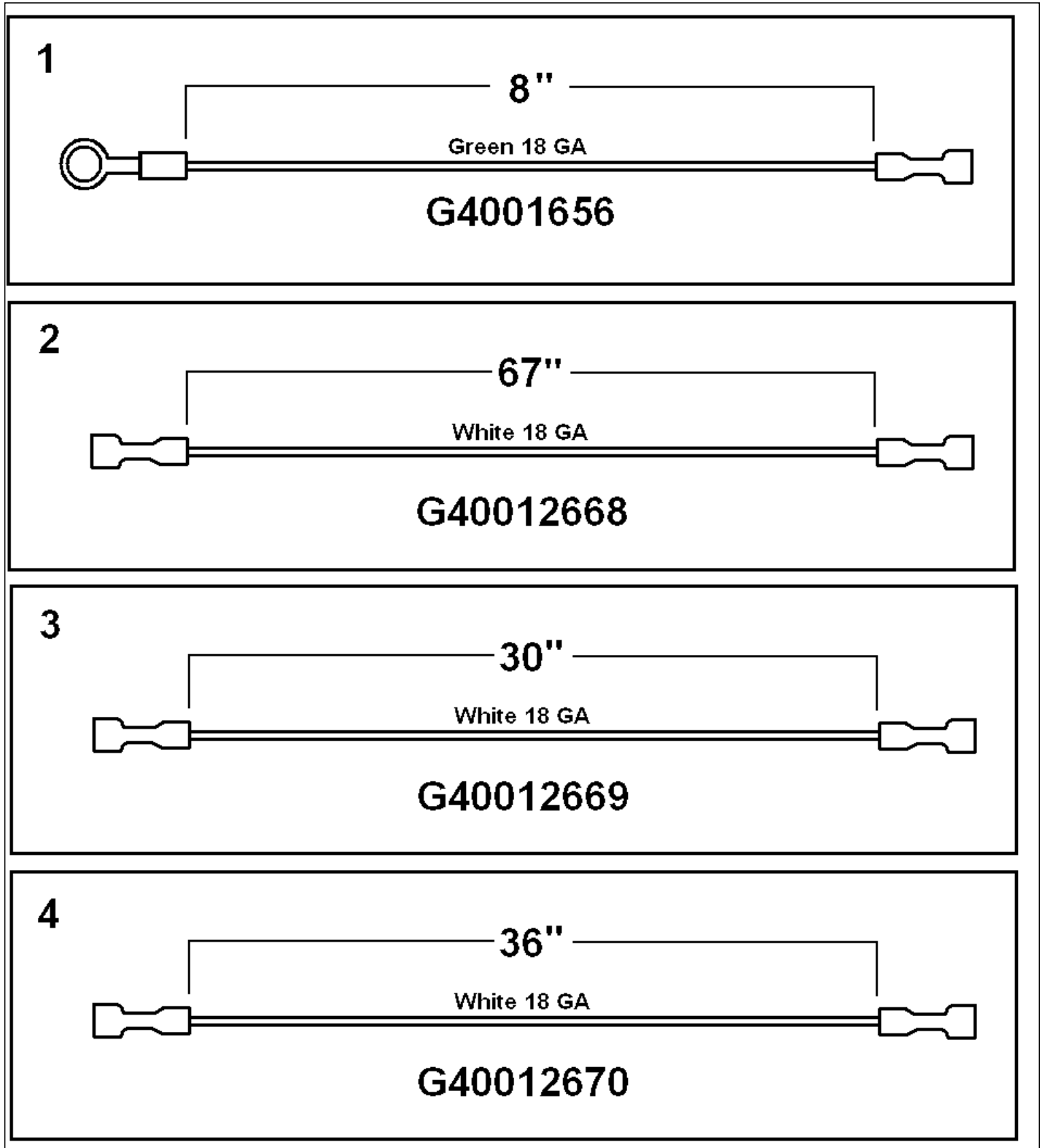
Item	Part No.	Name	Qty	Uom	NOTES
1	084120-000	34" GAS LINE ASSEMBLY (INCLUDES FITTINGS)	1	EA	
2	PB010265	THERMOSTAT	1	EA	
3	B20010822	BACK INSULATION RETAINER	1	EA	NO LONGER AVAILABLE, Not available online / Call for pricing and availability
4	B20012168	BACK BRACKET	1	EA	NO LONGER AVAILABLE, Not available online / Call for pricing and availability
5	PD020055	#10 X 1/2" PAN PHIL. TEK.*SS*	1	EA	
6	PB020190	10" FLEX TUBE	1	EA	
7	PB020190	10" FLEX TUBE	1	EA	
8	PB040045	3/8 UNION TEE (VGSO166)	1	EA	
9	PB020190	10" FLEX TUBE	1	EA	
10	PB010266	SAFETY VALVE - NLA	1	EA	
11	PD020057	' #10 X 1" FLAT HD. TEK.*SS*	1	EA	

UPPER UNIT AREA



Item	Part No.	Name	Qty	Uom	NOTES
1	PD020055	#10 X 1/2" PAN PHIL. TEK.*SS*	1	EA	
2	B20010869	TIE-IN BRACKET	1	EA	NO LONGER AVAILABLE, Not available online / Call for pricing and availability
3	B20010823	TOP INSULATION RETAINER	1	EA	NO LONGER AVAILABLE, Not available online / Call for pricing and availability
4	B20010850	OVEN SIDE BRACE	1	EA	NO LONGER AVAILABLE, Not available online / Call for pricing and availability
5	E91010807	OVEN TOP	1	EA	NO LONGER AVAILABLE, Not available online / Call for pricing and availability
6	PB070263	SUPERWOOL 1/2" X 19" X 3'	1	EA	
7	PB020189	5/8 FLEX TUBE	1	EA	
8	PB040231	90 DEGREE BULKHEAD ELBOW W / LOCKNUT	1	EA	
9	PA070006	PRESSURE REG.(NAT.)-4"-FOR BBQ GRILL	1	EA	
	PA070005	PRESSURE REG.(LP) RV47L-77-10.0	1	EA	
10	B30010841	VENT TOP	1	EA	NO LONGER AVAILABLE, Not available online / Call for pricing and availability
11	B20010842	VENT BOTTOM	1	EA	NO LONGER AVAILABLE, Not available online / Call for pricing and availability

WIRING



Item	Part No.	Name	Qty	Uom	NOTES
1	G4001656	SPARK MODULE GROUND WIRE	1	EA	
2	G40012668	WHITE WIRE ASSY (67")	1	EA	NO LONGER AVAILABLE
3	G40012669	IGNITOR WIRE (30")	1	EA	
4	G40012670	WHITE WIRE ASSY (36")	1	EA	



Appendix A:Pages Index

CABINET EXTERIOR AREA 1
CONTROL AREA 2
DOOR ASSEMBLY 3
LOWER UNIT AREA 4
OVEN CAVITY AREA 5
TUBING AREA 6
UPPER UNIT AREA 7
WIRING 8



Appendix B:Parts Index

000268-000	3	C90012170GG	3
050172-000	2	C90012170VB	3
084120-000	6	E91010805	5
A2000803	5	E91010806	5
A2002265	2	E91010807	7
A2002498	3	E91010808	5
A2002499	3	E91010820	5
B10010817	3	G32012171FG	3
B10010848	1	G32012171FGBR	3
B20010803	4	G32012171GG	3
B20010809	4	G32012171GGBR	3
B20010812	4	G32012171SS	3
B20010821	1	G32012171SSBR	3
B20010822	6	G32012171VB	3
B20010823	7	G32012171VBBR	3
B20010824	5	G40012668	8
B20010827	4	G40012669	8
B20010829	4	G40012670	8
B20010842	7	G4001656	8
B20010843	4	G91010815	3
B20010844	4	G9107670	5
B20010845	1	J10010851	3
B20010847	1	J10012914	2
B20010849	5	PA010012	2
B20010850	7	PA010155	2
B20010852	3	PA020036	4
B20010853	1	PA020044	4
B20010854	1	PA050099	2
B20010855	4	PA070005	7
B20010869	7	PA070006	7
B20012167	1	PB010163	2
B20012168	6	PB010209	2
B20012169	4	PB010265	2, 6
B20012170	3	PB010266	6
B20014411	4	PB020189	7
B20014987	2	PB020190	6, 6, 6
B2002902	4	PB040045	6
B30010841	7	PB040063	4
B92014987	2	PB040083	4
C90012170FG	3	PB040231	7
		PB040241	4



PB040244 4
PB050076 4
PB060022 5
PB060080 5
PB070145 3
PB070193 5
PB070263 1, 1, 7
PC020008 5
PD010012 2
PD010019 3
PD020032 1, 2, 3, 4
PD020043 1, 2, 4
PD020055 1, 2, 3, 4, 5, 6, 7
PD020056 5
PD020057 6
PD020064 1
PD020067 2, 4
PD020173 2
PD030006 3
PE010016 3
PE010079 3
PE020106 4
PE030001PVD 3
PE030134 3
PE030134PVD 3
PE040225 1
PE040226 1, 2
PE040227 1, 4
PE050063 2