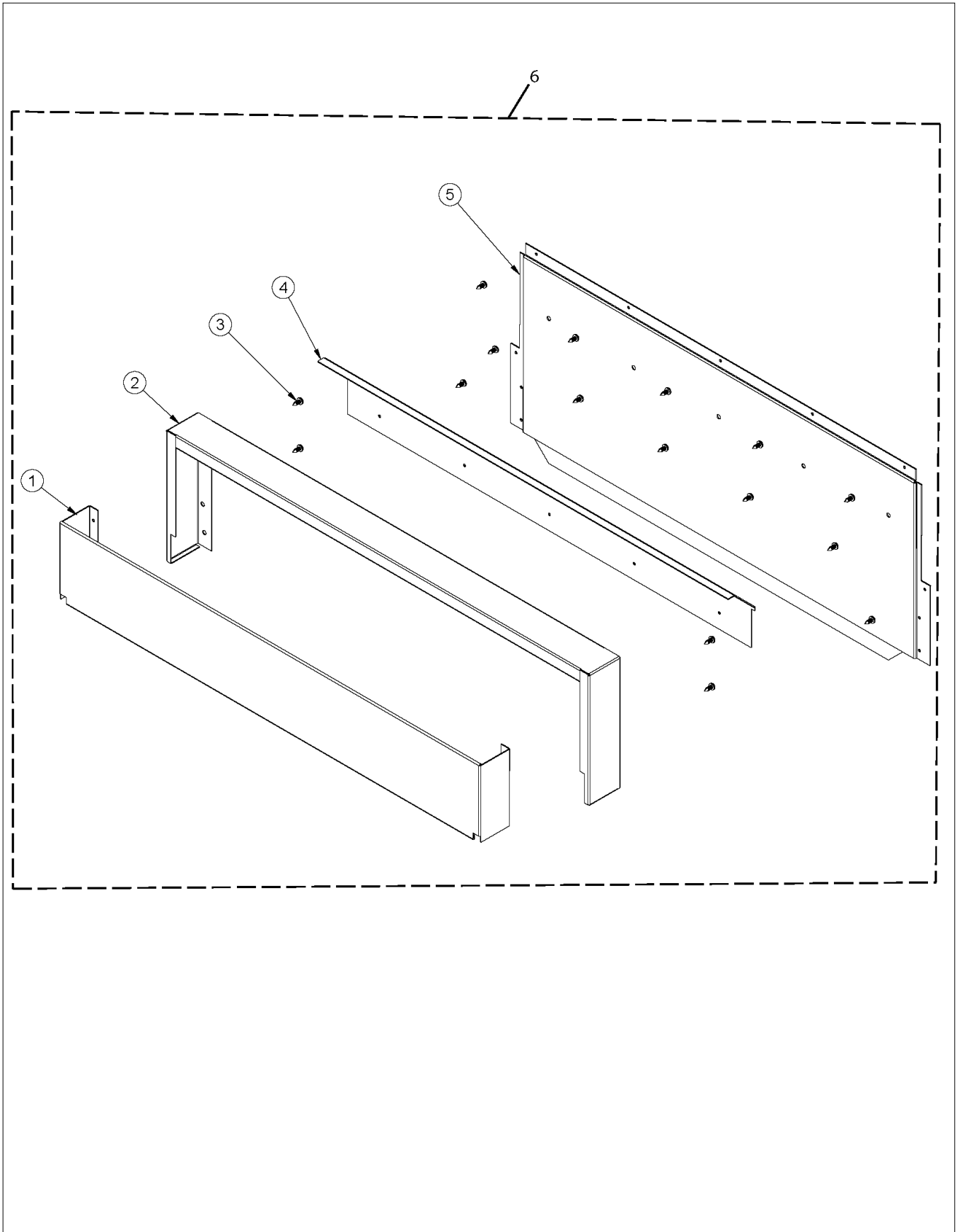


**RDSCD2305B**

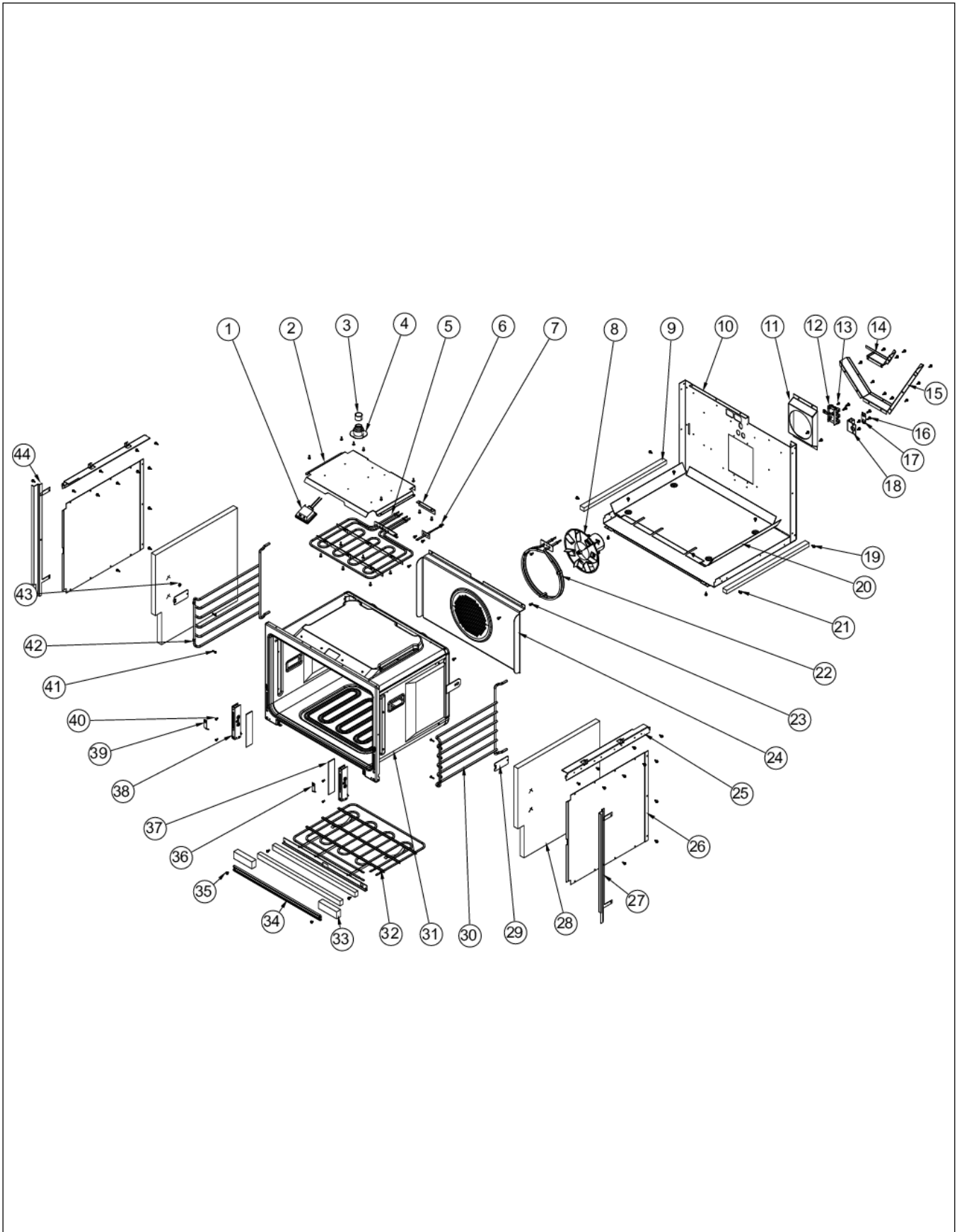
BACKGUARD ASSEMBLY .....	1
CAVITY AREA .....	2
CONTROL AREA .....	3
DOOR ASSEMBLY .....	4
ISLAND TRIM ASSEMBLY .....	5
LOWER UNIT AND SIDE PANELS .....	6
LP ORIFICES .....	7
OVEN ELECTRONICS .....	8
OVEN RACKS .....	9
REAR SHEET METAL .....	10
SURFACE BURNER AREA .....	11
WIRING .....	12
Appendix A:Pages Index .....	A
Appendix B:Parts Index .....	B

BACKGUARD ASSEMBLY



Item	Part No.	Name	Qty	Uom	NOTES
1	033332-000	30" D3 BACKGUARD, FRONT	1	EA	
	NOTE	(MUST ORDER ITEM 6)			
2	033331-000	30" D3 BACKGUARD, FRAME	1	EA	Not available online / Call for pricing and availability
	NOTE	(MUST ORDER ITEM 6)			
3	PD020055	#10 X 1/2" PAN PHIL. TEK.*SS*	16	EA	
	NOTE	(MUST ORDER ITEM 6)			
4	033334-000	BACKGUARD DEFLECTOR	1	EA	
	NOTE	(MUST ORDER ITEM 6)			
5	033333-000	30" D3 BACKGUARD, BACK	1	EA	
	NOTE	(MUST ORDER ITEM 6)			
6	033330-000	30" D3 BACKGUARD, ASM	1	EA	

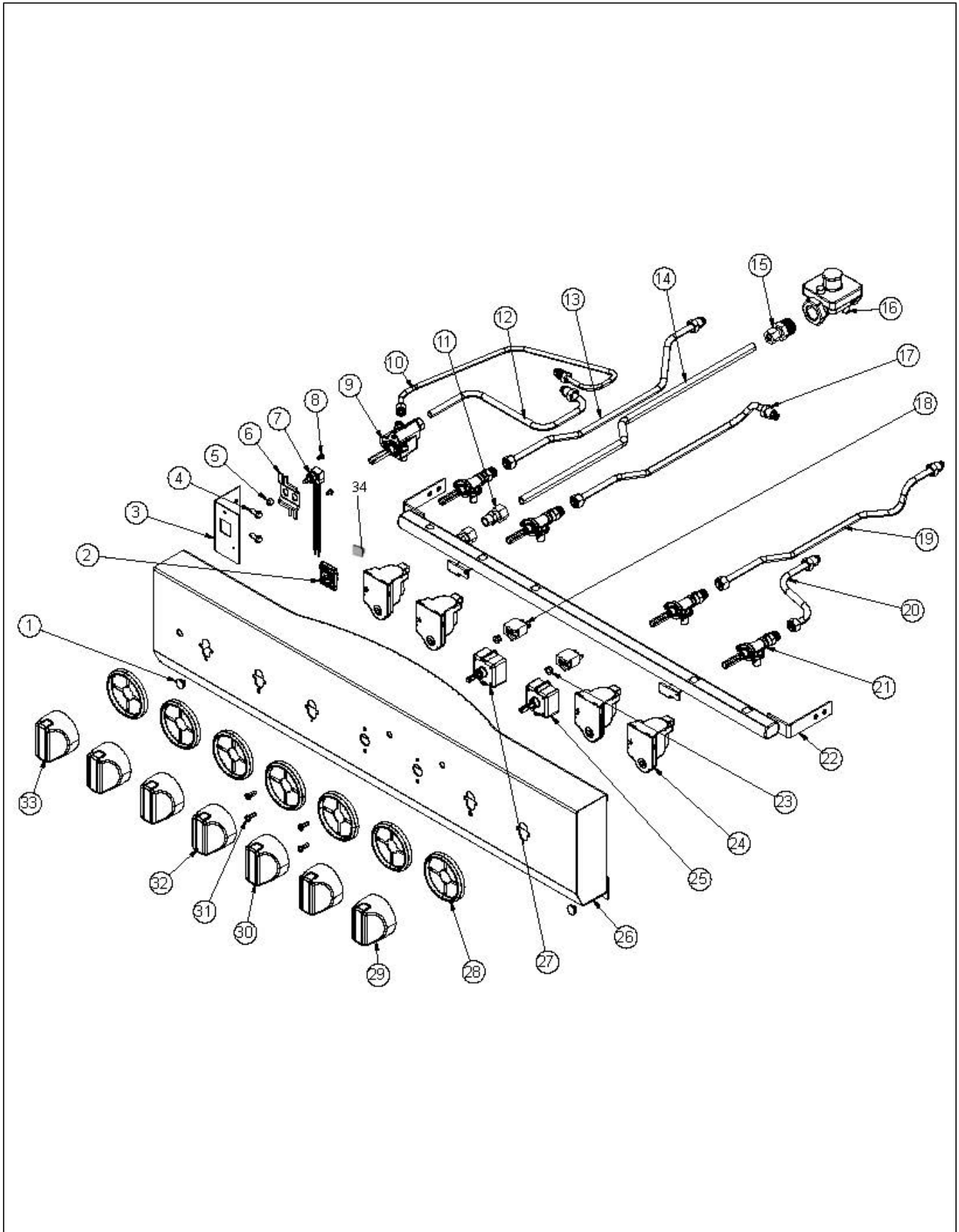
CAVITY AREA



Item	Part No.	Name	Qty	Uom	NOTES
1	068038-601	ASM, OVEN, LIGHT, 120V, 40W	1	EA	
2	A20014021	REFLECTOR, BROIL	1	EA	
3	PB020275	VENT TUBE	1	EA	
4	PM010014	SMOKE ELIMINATOR (VDSC)	1	EA	
5	PJ010049	BROIL ELEMENT	1	EA	
6	A20014044	BROIL ELEMENT SHIELD	1	EA	
7	PE050206	RTD THERMOSTAT PROBE	1	EA	
8	015394-000	FAN, CNVN, ASM	1	EA	
9	013547-000	BAKE ELEMENT INSULATION	4	EA	
10	003244-000	OVEN BOTTOM, BACK WRAP	1	EA	
11	A2009697	BRACKET, CONVECTION INSULATION	1	EA	
12	PE070147	TERMINAL BLOCK (VDSC)	1	EA	
13	PD020010	10 X 3/8 GREEN GROUNDING SCREW	1	EA	
14	003356-000	DIVERTER, AIR	1	EA	
15	002941-000	BAFFLE, FAN, REAR	1	EA	
16	PD020014	10X3/4 PH TR HD SMS	4	EA	
17	A1002457	POWER CORD MOUNTING STRAP (VDSC)	1	EA	
18	A2002195	POWER CORD MOUNTING BRKT (VDSC)	1	EA	
19	003860-000	10-18 x .500 FASTNR,SCR,HXWH,STL,ZPLT	45	EA	
20	NON-SERVICEABLE	ELEMENT, MTG TRAY	1	EA	
21	003801-000	SHOULDER SCREW, #10	2	EA	
22	PJ010047	CONVECTION ELEMENT	1	EA	
23	PD020048	NO.10 X 1/2 TEK 410 SS SCREW	25	EA	
24	NON-SERVICEABLE	BAFFLE, PLATE 30"	1	EA	
25	NON-SERVICEABLE	BRKT, TOP WRAPPER	2	EA	
26	014137-000	WRAPPER, OVEN SIDE	2	EA	
27	019185-000	TRIM,FR,RH,DSCD	1	EA	
28	013528-000	30 SIDE INSULATION	2	EA	
29	032858-402	BLACK LIGHT COVER	2	EA	

Item	Part No.	Name	Qty	Uom	NOTES
30	066226-402	RACK, SUPPORT, D3, ASM, RH, BK	1	EA	
31	NON-SERVICEABLE	OVEN CAVITY, WELD ASM	1	EA	
32	PJ010048	BAKE ELEMENT	1	EA	
33	005255-000	HINGE INSULATION	2	EA	
34	032861-000	COVER, BAKE TRAY, BK PORC	1	EA	
35	PD020063	SCREW-#8(A) X 3/8"PH WFR HD/BK OXID	2	EA	
36	B21010915	RH HINGE CLIP	1	EA	NO LONGER AVAILABLE
37	013572-000	HINGE INSULATION	2	EA	
38	031679-000	RECEPTACLE, HINGE	2	EA	
39	B21010916	LH HINGE CLIP	1	EA	
40	PD020062	#8-32 X 3/8 PHMS TYPE 1	4	EA	
41	PD020232	#8 X 3/4" PH PAN HEAD TEK SCREW (BLACK OXIDE)	4	EA	
42	066227-402	RACK, SUPPORT, D3, ASM, LH, BK	1	EA	
43	032859-000	PLUG, HOLE BK PORCELAIN	1	EA	
44	019186-000	TRIM,FR,LH,DSCD	1	EA	

CONTROL AREA

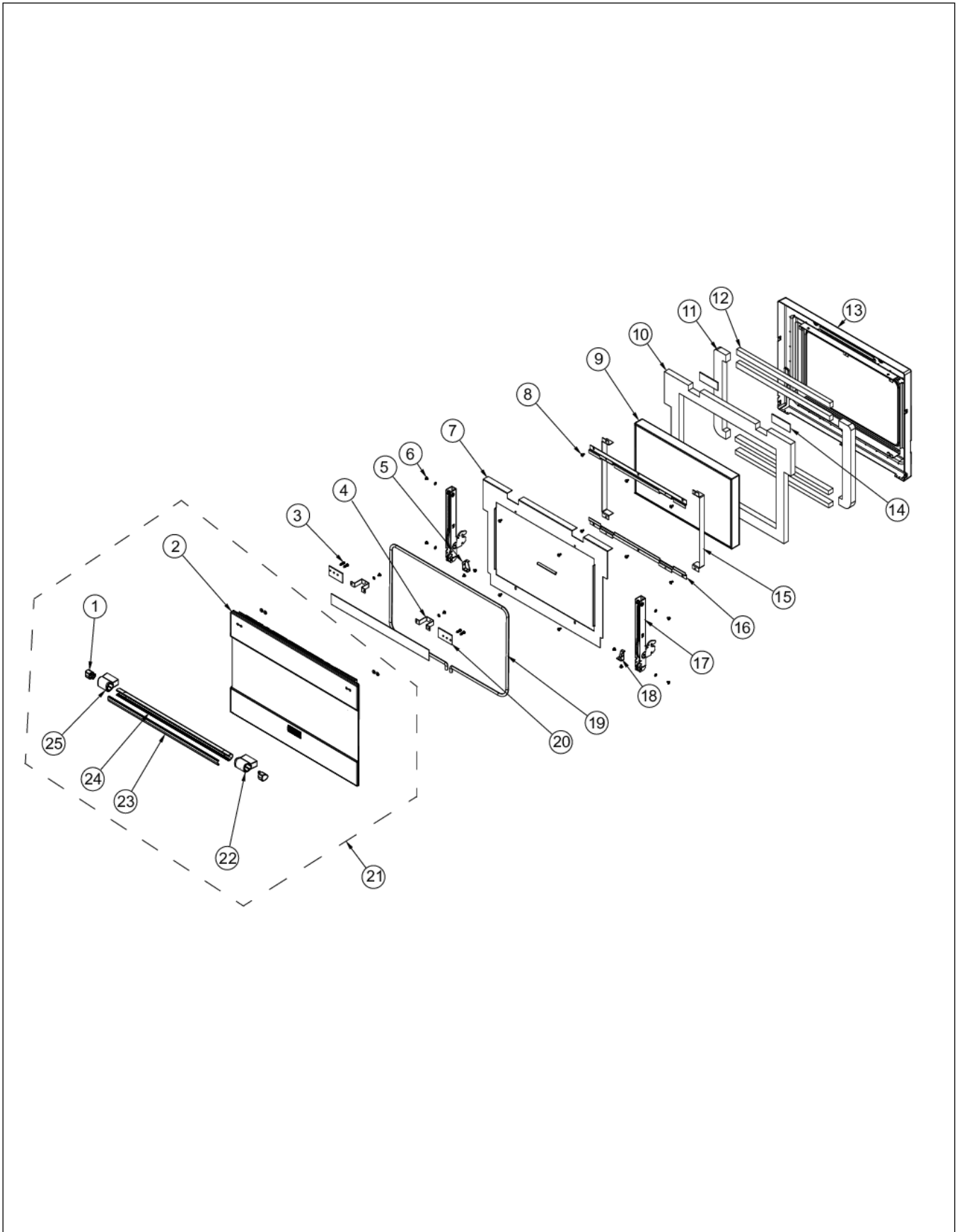




Item	Part No.	Name	Qty	Uom	NOTES
1	PD040004	GROMMET BUMPER	2	EA	
2	PA020045	IGNITOR SWITCH	1	EA	
3	031462-000	BRACKET, LIGHT SWITCH	1	EA	
	NOTE	(BEFORE 07/09/12)		EA	
3	036576-000	LIGHT SWITCH ASM	1	EA	
	NOTE	(ON OR AFTER 07/09/12)		EA	
4	PD020048	NO.10 X 1/2 TEK 410 SS SCREW	2	EA	
5	PA010093	DESIGNER OVEN LT SWITCH KNOB	1	EA	
6	020474-000	BRACKET, SW	1	EA	
	NOTE	(BEFORE 07/09/12)		EA	
6	036576-000	LIGHT SWITCH ASM	1	EA	
	NOTE	(ON OR AFTER 07/09/12)		EA	
7	G40015469	LIGHT SWITCH ASSEMBLY	1	EA	
8	PD020006	' #6-32 X 1/4" PH.PAN HD. T(F)	2	EA	
9	032942-000	VALVE, STACK BURNER, 18000 BTU	1	EA	
10	031387-000	TUBING, LF BURNER	1	EA	
11	034765-000	1/2" FEMALE PIPE TO 1/2" COMPRESSION FITTING	1	EA	
12	031380-000	TUBING ASM, STACK BURNER	1	EA	
13	031388-000	LR BURNER TUBE	1	EA	
14	039214-000	TUBING, FLEX, SST, 18"	1	EA	
15	000845-000	1/2" COMPRESSION TO 1/2" NPT ADAPTER	1	EA	
16	PA0700001	REGULATOR	1	EA	Not available online / Call for pricing and availability
17	072465-000	TUBING, FLEX, SST, 5/16 OD X 16"	1	EA	
18	015170-000	HOUSING, LIGHT, BLUE NEON, 125V	2	EA	
19	031392-000	RR BURNER TUBING	1	EA	
20	031393-000	RF BURNER TUBING	1	EA	
21	031804-000	VALVE, BURNER, TOP, NAT	4	EA	

Item	Part No.	Name	Qty	Uom	NOTES
22	031297-000	MANIFOLD, 30"	1	EA	
23	015043-000	INDICATOR, LIGHT, BLUE LED	2	EA	
24	035795-000	MODULE, IGN, GAS,SNGL	4	EA	
25	PJ030035	THERMOSTAT	1	EA	
26	039090-2393	PANEL, CTRL, RDSCD/RDSCG230 ASSY	1	EA	
	NOTE	MUST ORDER ITEM 34 AND #3 OR #6 WITH PANEL		EA	
27	PJ030033	SELECTOR (10 POS)	1	EA	
28	031469-000	BEZEL, KNOB, RANGE, BLADE, D3	7	EA	NO LONGER AVAILABLE
29	031498-000	KNOB ASM, GAS VALVE	4	EA	
30	031502-000	KNOB, THERMOSTAT, D3	1	EA	
31	PD020261	' #8-32X1/2" PH PANHEAD MACH. SCREW	4	EA	
32	031550-000	KNOB, SELECTOR, D3	1	EA	
33	032314-000	KNOB ASM, STACKED GAS VALV	1	EA	
34	M0104106	CLIP-CORD VM0104106	1	EA	

DOOR ASSEMBLY



Item	Part No.	Name	Qty	Uom	NOTES
1	028002-000	CAP, HANDLE, D3	2	EA	
2	039287-000	SKIN ASM, DOOR, W/LOGO, SS	1	EA	NO LONGER AVAILABLE
2	039286-002	SKIN ASM, DOOR, W/LOGO, BK	1	EA	NO LONGER AVAILABLE
2	039286-003	SKIN ASM, DOOR, W/LOGO, BT	1	EA	NO LONGER AVAILABLE
2	039286-004	SKIN ASM, DOOR, W/LOGO, SG	1	EA	NO LONGER AVAILABLE
2	039286-005	SKIN ASM, DOOR, W/LOGO, GG	1	EA	NO LONGER AVAILABLE
2	039286-006	SKIN ASM, DOOR, W/LOGO, WH	1	EA	NO LONGER AVAILABLE
2	039286-008	SKIN ASM, DOOR, W/LOGO, BU	1	EA	Not available online / Call for pricing and availability
2	039286-009	SKIN ASM, DOOR, W/LOGO, LE	1	EA	NO LONGER AVAILABLE
2	039286-010	SKIN ASM, DOOR, W/LOGO, MJ	1	EA	NO LONGER AVAILABLE
2	039286-012	SKIN ASM, DOOR, W/LOGO, VB	1	EA	NO LONGER AVAILABLE
2	039286-013	SKIN ASM, DOOR, W/LOGO, CB	1	EA	NO LONGER AVAILABLE
2	039286-015	SKIN ASM, DOOR, W/LOGO, PL	1	EA	NO LONGER AVAILABLE
2	039286-016	SKIN ASM, DOOR, W/LOGO, CH	1	EA	NO LONGER AVAILABLE
2	039286-017	SKIN ASM, DOOR, W/LOGO, TP	1	EA	NO LONGER AVAILABLE
2	039286-018	SKIN ASM, DOOR, W/LOGO, TP NLA	1	EA	
2	039286-021	SKIN ASM, DOOR, W/LOGO, SA	1	EA	NO LONGER AVAILABLE
2	039286-022	SKIN ASM, DOOR, W/LOGO, SE	1	EA	NO LONGER AVAILABLE
2	039286-023	SKIN ASM, DOOR, W/LOGO, IB	1	EA	NO LONGER AVAILABLE
2	039286-024	SKIN ASM, DOOR, W/LOGO, AR	1	EA	NO LONGER AVAILABLE

Item	Part No.	Name	Qty	Uom	NOTES
2	039286-025	SKIN ASM, DOOR, W/LOGO, RR	1	EA	NO LONGER AVAILABLE, Not available online / Call for pricing and availability
2	039286-051	SKIN ASM, DOOR, W/LOGO, CN	1	EA	NO LONGER AVAILABLE
2	039286-052	SKIN ASM, DOOR, W/LOGO, DJ	1	EA	NO LONGER AVAILABLE
2	039286-053	SKIN ASM, DOOR, W/LOGO, KB	1	EA	NO LONGER AVAILABLE
2	039286-054	SKIN ASM, DOOR, W/LOGO, WS	1	EA	NO LONGER AVAILABLE
3	PD020063	SCREW-#8(A) X 3/8"PH WFR HD/BK OXID	10	EA	
4	015310-000	HANDLE BRACKET SPACER	2	EA	
5	006808-000	HINGE, BRACKET, LH	1	EA	
6	PD020002	10 X 1/2 PH.TR.HD.SMS.	10	EA	
7	004152-000	DOOR LINER INSULATION RETAINER, 30"	1	EA	
8	PD020032	SRW-8(A)X3/8"PH.WFR HD 7/16DIA*NICL	5	EA	
9	PE060094	30" WINDOW PACK	1	EA	
10	017752-000	INSULATION, DOOR LINER	1	EA	
11	013558-000	SIDE DOOR PLUG INSULATION	2	EA	
12	013547-000	BAKE ELEMENT INSULATION	4	EA	
13	032850-000	LINER, DOOR ASM, BK PORC	1	EA	
14	013567-000	DOOR BRACKET INSULATION	2	EA	
15	023044-000	STRAP, WDO	2	EA	
16	004153-000	DOOR GLASS HOLDER BRACKET	2	EA	
17	002740-000	HINGE,DOOR,MANSFIELD,30", DUEL FUEL	2	EA	
18	006807-000	HINGE, BRACKET, RH	1	EA	
19	PB070246	30 DOOR GASKET	1	EA	
20	008971-000	SPACER, DOOR, HANDLE	2	EA	
21	030983-000	OUTER DOOR ASM, D3 RANGE 30"	1	EA	
21	035278-002	OUTER DOOR PANEL ASM, 30" D3, BK	1	EA	

Item	Part No.	Name	Qty	Uom	NOTES
21	035278-003	OUTER DOOR PANEL ASM, 30" D3, BT	1	EA	
21	035278-004	OUTER DOOR PANEL ASM, 30" D3, SG	1	EA	
21	035278-005	OUTER DOOR PANEL ASM, 30" D3, GG	1	EA	
21	035278-006	OUTER DOOR PANEL ASM, 30" D3, WH	1	EA	
21	035278-008	OUTER DOOR PANEL ASM, 30" D3, BU	1	EA	
21	035278-009	OUTER DOOR PANEL ASM, 30" D3, LE	1	EA	
21	035278-010	OUTER DOOR PANEL ASM, 30" D3, MJ	1	EA	
21	035278-012	OUTER DOOR PANEL ASM, 30" D3, VB	1	EA	
21	035278-013	OUTER DOOR PANEL ASM, 30" D3, CB	1	EA	
21	035278-015	OUTER DOOR PANEL ASM, 30" D3, PL	1	EA	
21	035278-016	OUTER DOOR PANEL ASM, 30" D3, CH	1	EA	
21	035278-017	OUTER DOOR PANEL ASM, 30" D3, TP	1	EA	
21	035278-018	OUTER DOOR PANEL ASM, 30" D3, TP NLA	1	EA	
21	035278-021	OUTER DOOR PANEL ASM, 30" D3, SA	1	EA	
21	035278-022	OUTER DOOR PANEL ASM, 30" D3, SE	1	EA	
21	035278-023	OUTER DOOR PANEL ASM, 30" D3, IB	1	EA	
21	035278-024	OUTER DOOR PANEL ASM, 30" D3, AR	1	EA	Not available online / Call for pricing and availability
21	035278-025	OUTER DOOR PANEL ASM, 30" D3, RR	1	EA	
21	035278-051	OUTER DOOR PANEL ASM, 30" D3, CN	1	EA	
21	035278-052	OUTER DOOR PANEL ASM, 30" D3, DJ	1	EA	
21	035278-053	OUTER DOOR PANEL ASM, 30" D3, KB	1	EA	

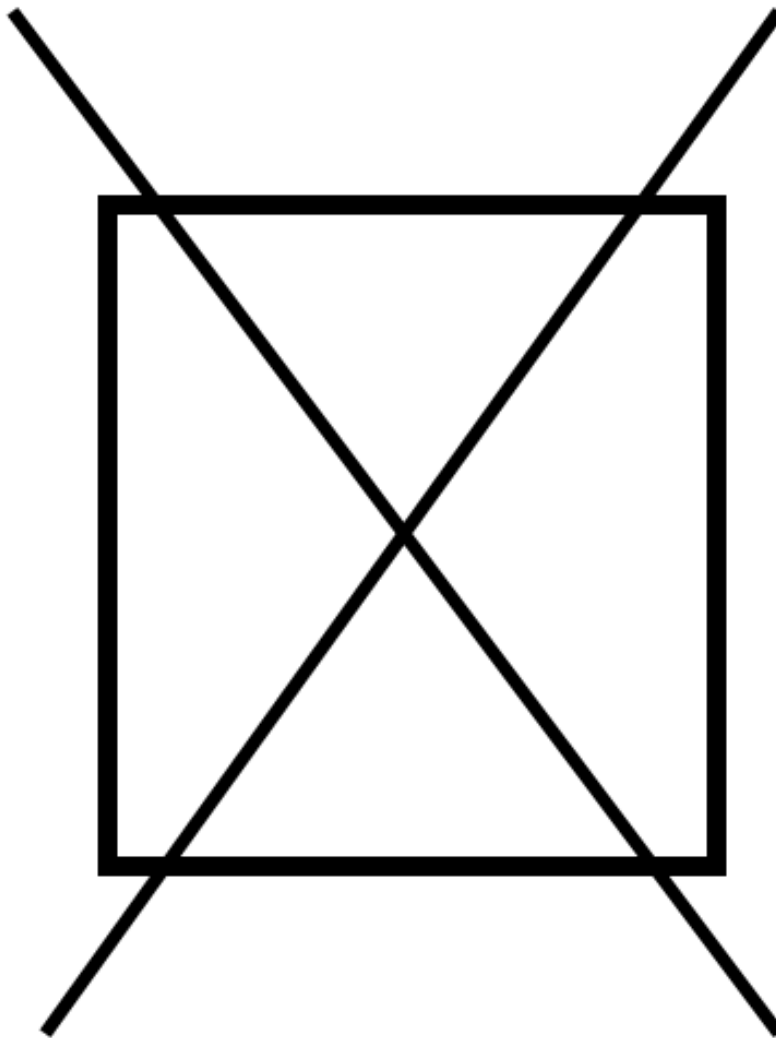
Item	Part No.	Name	Qty	Uom	NOTES
21	035278-054	OUTER DOOR PANEL ASM, 30" D3, WS	1	EA	
22	028000-000	ENDCAP, RH, D3	1	EA	
23	027988-000	INSERT, D3 30" HANDLE	1	EA	
24	027986-000	HANDLE, D3 30"	1	EA	
25	028001-000	ENDCAP, LH,D3	1	EA	
NI	031162-000	DOOR ASM, D3 ELEC RANGE 30", SS	1	EA	
NI	035279-002	DOOR ASM, 30" D3 ELEC OVEN, BK	1	EA	
NI	035279-003	DOOR ASM, 30" D3 ELEC OVEN, BT	1	EA	
NI	035279-004	DOOR ASM, 30" D3 ELEC OVEN, SG	1	EA	
NI	035279-005	DOOR ASM, 30" D3 ELEC OVEN, GG	1	EA	
NI	035279-006	DOOR ASM, 30" D3 ELEC OVEN, WH	1	EA	
NI	035279-008	DOOR ASM, 30" D3 ELEC OVEN, BU	1	EA	
NI	035279-009	DOOR ASM, 30" D3 ELEC OVEN, LE	1	EA	
NI	035279-010	DOOR ASM, 30" D3 ELEC OVEN, MJ	1	EA	
NI	035279-012	DOOR ASM, 30" D3 ELEC OVEN, VB	1	EA	Not available online / Call for pricing and availability
NI	035279-013	DOOR ASM, 30" D3 ELEC OVEN, CB	1	EA	
NI	035279-015	DOOR ASM, 30" D3 ELEC OVEN, PL	1	EA	
NI	035279-016	DOOR ASM, 30" D3 ELEC OVEN, CH	1	EA	
NI	035279-017	DOOR ASM, 30" D3 ELEC OVEN, TP	1	EA	
NI	035279-018	DOOR ASM, 30" D3 ELEC OVEN, CW NLA	1	EA	
NI	035279-021	DOOR ASM, 30" D3 ELEC OVEN, SA	1	EA	
NI	035279-022	DOOR ASM, 30" D3 ELEC OVEN, SE	1	EA	

Item	Part No.	Name	Qty	Uom	NOTES
NI	035279-023	DOOR ASM, 30" D3 ELEC OVEN, IB	1	EA	
NI	035279-024	DOOR ASM, 30" D3 ELEC OVEN, AR	1	EA	
NI	035279-025	DOOR ASM, 30" D3 ELEC OVEN, RR	1	EA	
NI	035279-051	DOOR ASM, 30" D3 ELEC OVEN, CN	1	EA	
NI	035279-052	DOOR ASM, 30" D3 ELEC OVEN, DJ	1	EA	
NI	035279-053	DOOR ASM, 30" D3 ELEC OVEN, KB	1	EA	
NI	035279-054	DOOR ASM, 30" D3 ELEC OVEN, WS	1	EA	



ISLAND TRIM ASSEMBLY

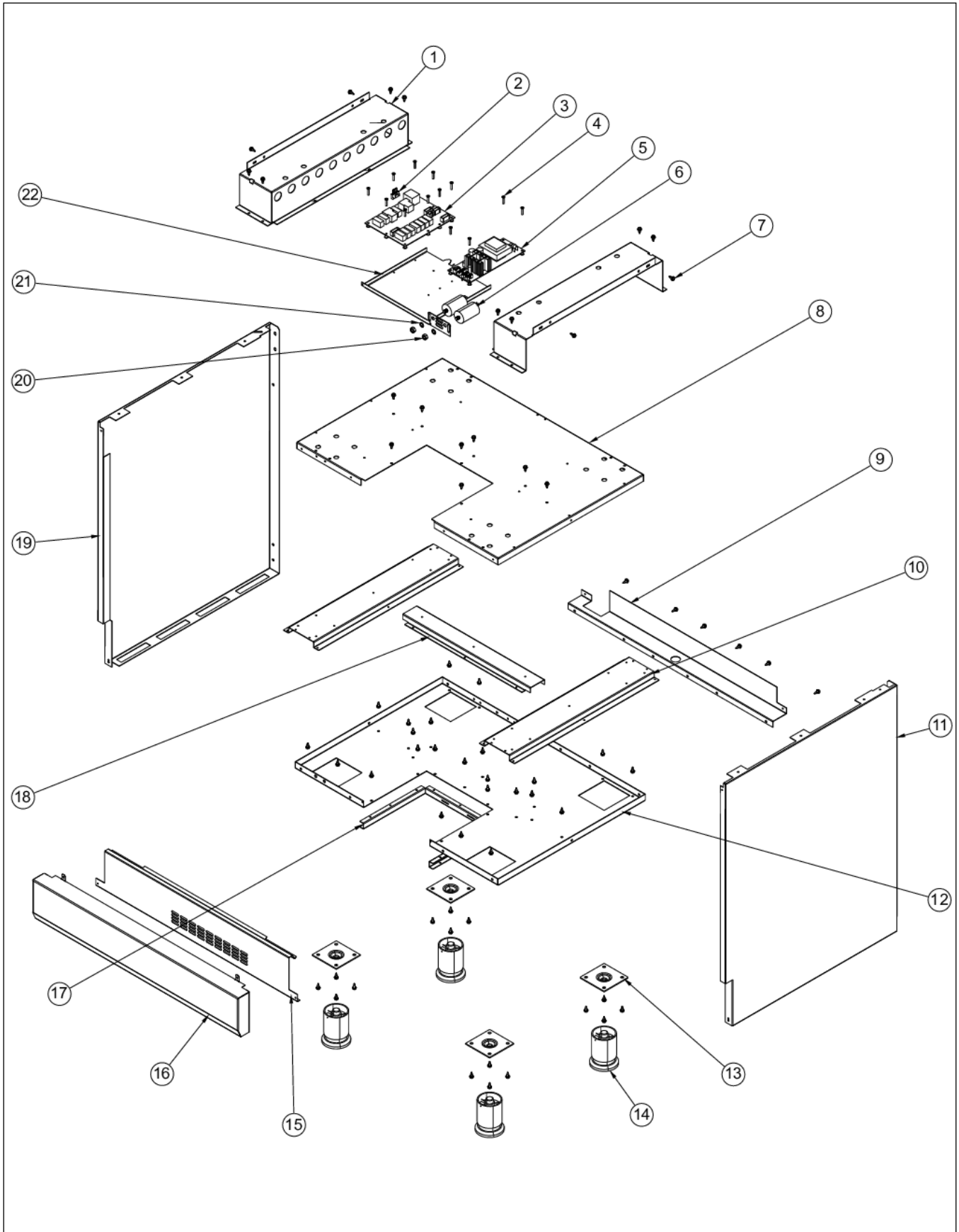
NON  
ILLUSTRATED PART





Item	Part No.	Name	Qty	Uom	NOTES
NI	032965-000	D3 ISLAND TRIM ASM	1	EA	

LOWER UNIT AND SIDE PANELS



Item	Part No.	Name	Qty	Uom	NOTES
1	014241-000	SUPPORT, OVEN	2	EA	
2	023002-000	CTRL, ASM, SINGLE OVEN LPS	1	EA	
3	046142-571	CONTROL, EOC4, LED, V39/V51 & FAMILY	1	EA	
4	PD020043	#6-32 X .750 PH. CTRSK T(F)-VGSO166	13	EA	
5	021340-000	LINEAR POWER SUPPLY, SINGLE	1	EA	
6	036047-000	EBM FAN MOTOR CAPACITOR	2	EA	
7	003860-000	10-18 x .500 FASTNR,SCR,HXWH,STL,ZPLT	66	EA	
8	003052-000	BASE TOP PLATE (NON SERVICEABLE PART)	1	EA	
9	014240-000	LEDGE, BACK	1	EA	
10	NON-SERVICEABLE	BASE LEG SUPPORT CHANNEL	2	EA	
11	032813-000	PNL, SIDE, RH, D3 - SS	1	EA	
11	035006-002	PNL, SIDE, RH, D3 - BK	1	EA	
11	035006-003	PANEL, SIDE, RH, D3, BT	1	EA	
11	035006-004	PANEL, SIDE, RH, D3, SG	1	EA	
11	035006-005	PANEL, SIDE, RH, D3, GG	1	EA	
11	035006-006	PNL, SIDE, RH, D3 - WH	1	EA	
11	035006-008	PANEL, SIDE, RH, D3, BU	1	EA	
11	035006-009	PANEL, SIDE, RH, D3, LE	1	EA	
11	035006-010	PANEL, SIDE, RH, D3, MJ	1	EA	
11	035006-012	PANEL, SIDE, RH, D3, VB	1	EA	
11	035006-013	PANEL, SIDE, RH, D3, CB	1	EA	
11	035006-015	PANEL, SIDE, RH, D3, PL	1	EA	
11	035006-016	PANEL, SIDE, RH, D3, CH	1	EA	
11	035006-017	PANEL, SIDE, RH, D3, TP	1	EA	
11	035006-018	PANEL, SIDE, RH, D3, CW NLA	1	EA	
11	035006-021	PANEL, SIDE, RH, D3, SA	1	EA	
11	035006-022	PANEL, SIDE, RH, D3, SE	1	EA	
11	035006-023	PANEL, SIDE, RH, D3, IB	1	EA	

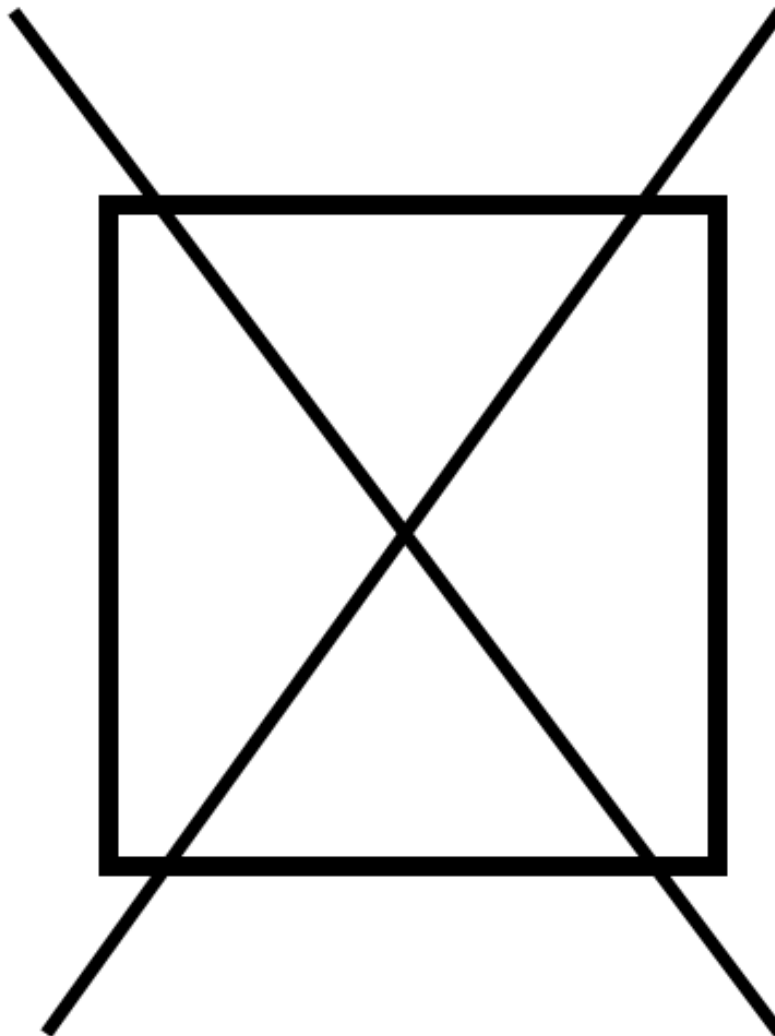
Item	Part No.	Name	Qty	Uom	NOTES
11	035006-024	PANEL, SIDE, RH, D3, AR	1	EA	Not available online / Call for pricing and availability
11	035006-025	PANEL, SIDE, RH, D3, RR	1	EA	
11	035006-051	PANEL, SIDE, RH, D3, CN	1	EA	
11	035006-052	PANEL, SIDE, RH, D3, DJ	1	EA	
11	035006-053	PANEL, SIDE, RH, D3, KB	1	EA	
11	035006-054	PANEL, SIDE, RH, D3, WS	1	EA	
12	003051-000	PLATE, LWR, MT	1	EA	
13	PC030007	PLATE,LEG	4	EA	
14	044178-000	RANGE, LEG, ADJUSTABLE	4	EA	
15	014246-000	LOWER GRILL	1	EA	
16	019262-000	KICKPLATE, 30" DSCD/DSCE DESIGNER SS	1	EA	
16	038550-002	KICKPLATE DESIGNER, 30 BK	1	EA	Not available online / Call for pricing and availability
16	038550-006	KICKPLATE DESIGNER 30 - WH	1	EA	
16	038550-003	KICKPLATE DESIGNER, 30 BT	1	EA	
16	038550-004	KICKPLATE DESIGNER, 30 SG	1	EA	
16	038550-005	KICKPLATE DESIGNER, 30 GG	1	EA	
16	038550-008	KICKPLATE DESIGNER, 30 BU	1	EA	
16	038550-009	KICKPLATE DESIGNER, 30 LE	1	EA	
16	038550-010	KICKPLATE DESIGNER, 30 MJ	1	EA	
16	038550-012	KICKPLATE DESIGNER, 30 VB	1	EA	Not available online / Call for pricing and availability
16	038550-013	KICKPLATE DESIGNER, 30 CB	1	EA	
16	038550-015	KICKPLATE DESIGNER, 30 PL	1	EA	
16	038550-016	KICKPLATE DESIGNER, 30 CH	1	EA	
16	038550-017	KICKPLATE DESIGNER, 30 TP	1	EA	
16	038550-018	KICKPLATE DESIGNER, 30 CW NLA	1	EA	
16	038550-021	KICKPLATE DESIGNER, 30 SA	1	EA	
16	038550-022	KICKPLATE DESIGNER, 30 SE	1	EA	

Item	Part No.	Name	Qty	Uom	NOTES
16	038550-023	KICKPLATE DESIGNER, 30 IB	1	EA	
16	038550-024	KICKPLATE DESIGNER, 30 AR	1	EA	
16	038550-025	KICKPLATE DESIGNER, 30 RR	1	EA	
16	038550-051	KICKPLATE DESIGNER, 30 CN	1	EA	Not available online / Call for pricing and availability
16	038550-052	KICKPLATE DESIGNER, 30 DJ	1	EA	
16	038550-054	KICKPLATE DESIGNER, 30 WS	1	EA	
17	NON-SERVICEABLE	BASE CENTER CUTOUT STIFFENER	2	EA	
18	NON-SERVICEABLE	BASE CENTER SUPPORT CHANNEL	1	EA	
19	032816-000	PNL, SIDE, LH, D3 - SS	1	EA	
19	035005-002	PNL, SIDE, LH, D3 - BK	1	EA	
19	035005-003	PANEL, SIDE, LH, D3, BT	1	EA	
19	035005-004	PANEL, SIDE, LH, D3, SG	1	EA	
19	035005-005	PANEL, SIDE, LH, D3, GG	1	EA	
19	035005-006	PNL, SIDE, LH, D3 - WH	1	EA	
19	035005-008	PANEL, SIDE, LH, D3, BU	1	EA	Not available online / Call for pricing and availability
19	035005-009	PANEL, SIDE, LH, D3, LE	1	EA	
19	035005-010	PANEL, SIDE, LH, D3, MJ	1	EA	
19	035005-012	PANEL, SIDE, LH, D3, VB	1	EA	Not available online / Call for pricing and availability
19	035005-013	PANEL, SIDE, LH, D3, CB	1	EA	
19	035005-015	PANEL, SIDE, LH, D3, PL	1	EA	
19	035005-016	PANEL, SIDE, LH, D3, CH	1	EA	
19	035005-017	PANEL, SIDE, LH, D3, TP	1	EA	
19	035005-018	PANEL, SIDE, LH, D3, CW NLA	1	EA	
19	035005-021	PANEL, SIDE, LH, D3, SA	1	EA	
19	035005-022	PANEL, SIDE, LH, D3, SE	1	EA	
19	035005-023	PANEL, SIDE, LH, D3, IB	1	EA	

Item	Part No.	Name	Qty	Uom	NOTES
19	035005-024	PANEL, SIDE, LH, D3, AR	1	EA	Not available online / Call for pricing and availability
19	035005-025	PANEL, SIDE, LH, D3, RR	1	EA	
19	035005-051	PANEL, SIDE, LH, D3, CN	1	EA	
19	035005-052	PANEL, SIDE, LH, D3, DJ	1	EA	
19	035005-053	PANEL, SIDE, LH, D3, KB	1	EA	
19	035005-054	PANEL, SIDE, LH, D3, WS	1	EA	
20	PD030172	M8 X 1.25MM NUT	2	EA	
21	PD040164	5/16 INTERNAL TOOTH LOCK WASHER TYPE A	2	EA	
22	023825-000	TRAY, CNTRL, EOC4 SMPS	1	EA	

LP ORIFICES

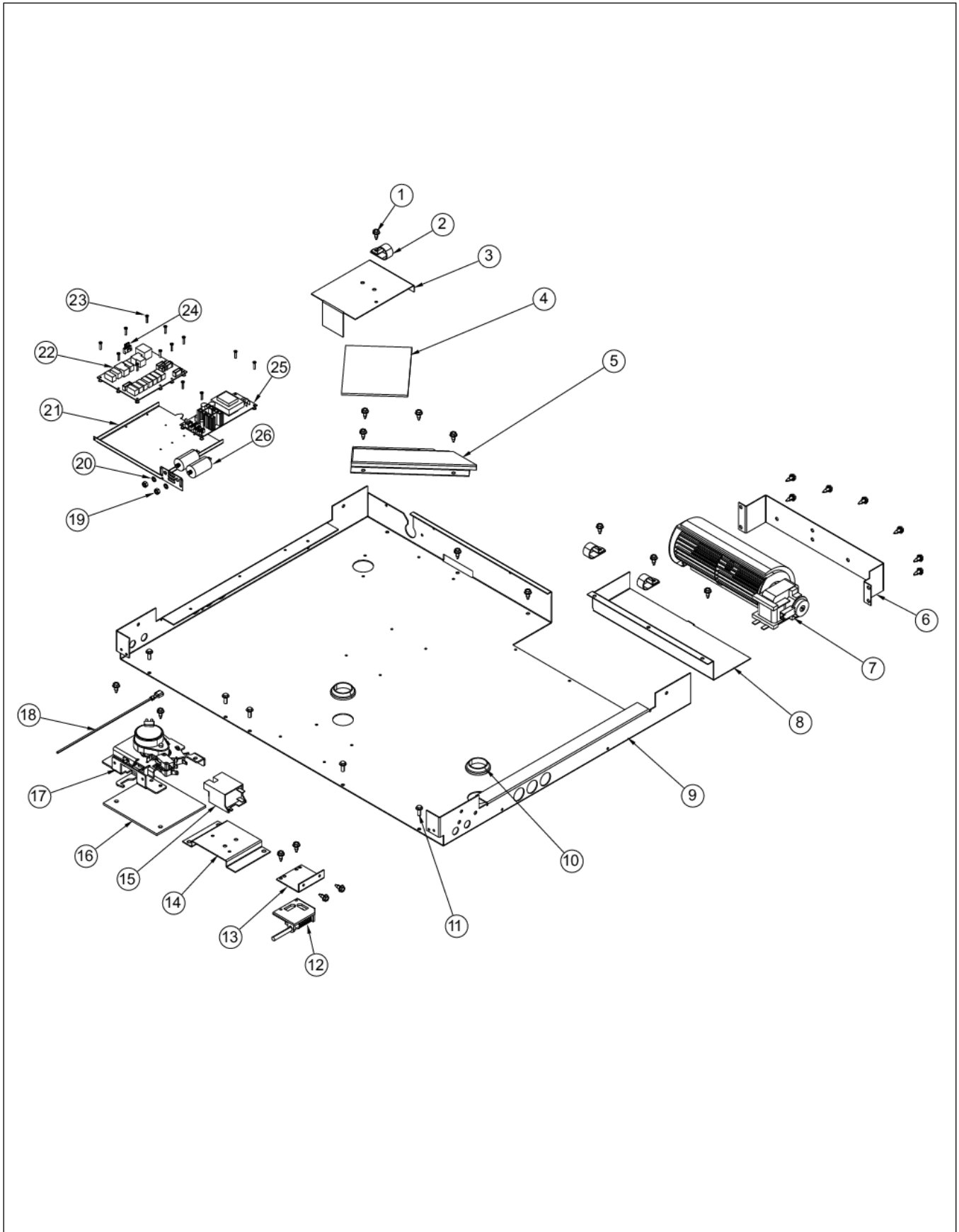
NON  
ILLUSTRATED PART





Item	Part No.	Name	Qty	Uom	NOTES
NI	035267-000	LR Injector, LP, 0.79 MM	1	EA	
NI	036165-000	LF-High Injector, LP, 1.09 MM	1	EA	
NI	035266-000	LF-Low Injector, LP, 0.33 MM	1	EA	
NI	041847-000	D3 LP ORIFICE KIT FOR TC-0086 - SP BULLITEN	1	EA	
	NOTE	(BUILT PRIOR TO 01/03-13)		EA	
NI	035268-000	Center-Injector, LP, 0.87 MM	1	EA	
NI	035265-000	RF Injector, LP, 1.19 MM	1	EA	
NI	035270-000	RR Injector, LP, 1.01 MM	1	EA	

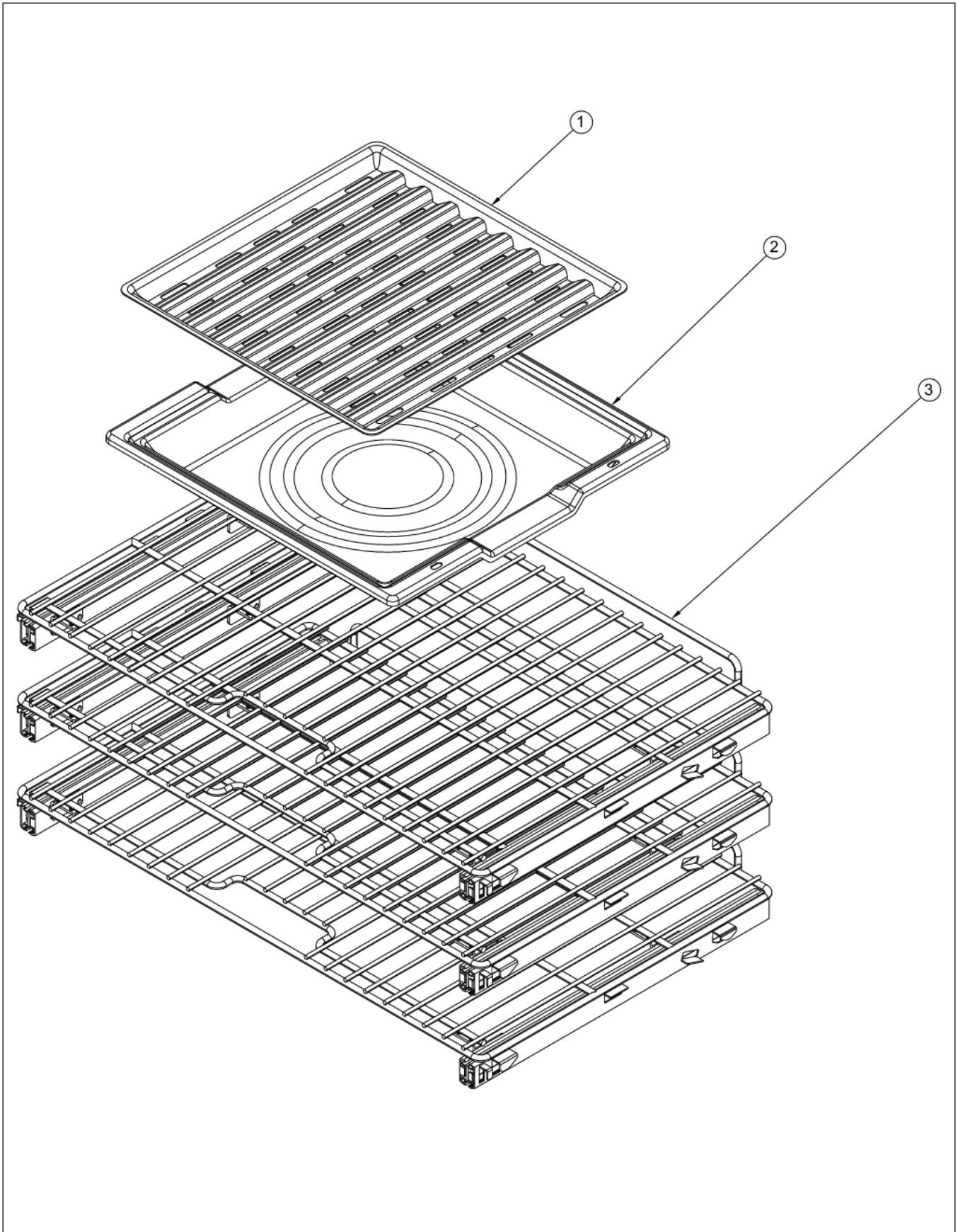
OVEN ELECTRONICS



Item	Part No.	Name	Qty	Uom	NOTES
1	003860-000	10-18 x .500 FASTNR,SCR,HXWH,STL,ZPLT	24	EA	
2	PD030109	INSULATED CLAMP	3	EA	
3	033198-000	TRAY, REGULATOR	1	EA	
	NOTE	(BEFORE 9/25/12)		EA	
3	038705-000	REG. MTG. BRKT.	1	EA	
	NOTE	(ON OR AFTER 9/25/12)		EA	
NI	038704-000	REGULATOR BRACKET	1	EA	
	NOTE	(ON OR AFTER 9/25/12)		EA	
4	004285-000	INSULATION, FOIL- BACKED,4"x5"	1	EA	
5	003333-000	DUCT, FLUE	1	EA	
6	004110-000	MOUNT,BLOWER	1	EA	
7	PE050250	Blower	1	EA	
	NOTE	BEFORE 6/14/13		EA	
7	080968-000	FAN, COOLING, DUAL, 230V, 60 X 180mm	1	EA	
	NOTE	AFTER 6/14/13		EA	
8	A2009659	BRACKET, FILLER, BLOWER	1	EA	
9	015615-000	BRACE, RNG, AIR, CHANNEL	1	EA	
10	PB070079	SILICONE EXTRUSION (DGSU)	2	EA	
11	PD020048	NO.10 X 1/2 TEK 410 SS SCREW	5	EA	
12	PE050208	DOOR SWITCH	1	EA	
13	A20012649	DOOR SWITCH BRACKET	1	EA	
14	031821-000	BRACKET, REGULATOR MTG	1	EA	
15	PA020037	SINGLE MODULE 120V	1	EA	
16	013564-000	LOWER LATCH INSULATION	1	EA	
17	013250-000	LATCH, DOOR, ASM,240V,GRIDDLE LOCKOUT ASSY	1	EA	
18	G4000936	GROUND WIRE	1	EA	
19	PD030172	M8 X 1.25MM NUT	2	EA	
20	PD040164	5/16 INTERNAL TOOTH LOCK WASHER TYPE A	2	EA	

Item	Part No.	Name	Qty	Uom	NOTES
21	023825-000	TRAY, CNTRL, EOC4 SMPS	1	EA	
22	046142-571	CONTROL, EOC4, LED, V39/V51 & FAMILY	1	EA	
23	PD020043	#6-32 X .750 PH. CTRSK T(F)-VGSO166	1	EA	
24	023002-000	CTRL, ASM, SINGLE OVEN LPS	1	EA	
25	021340-000	LINEAR POWER SUPPLY, SINGLE	1	EA	
26	036047-000	EBM FAN MOTOR CAPACITOR	1	EA	

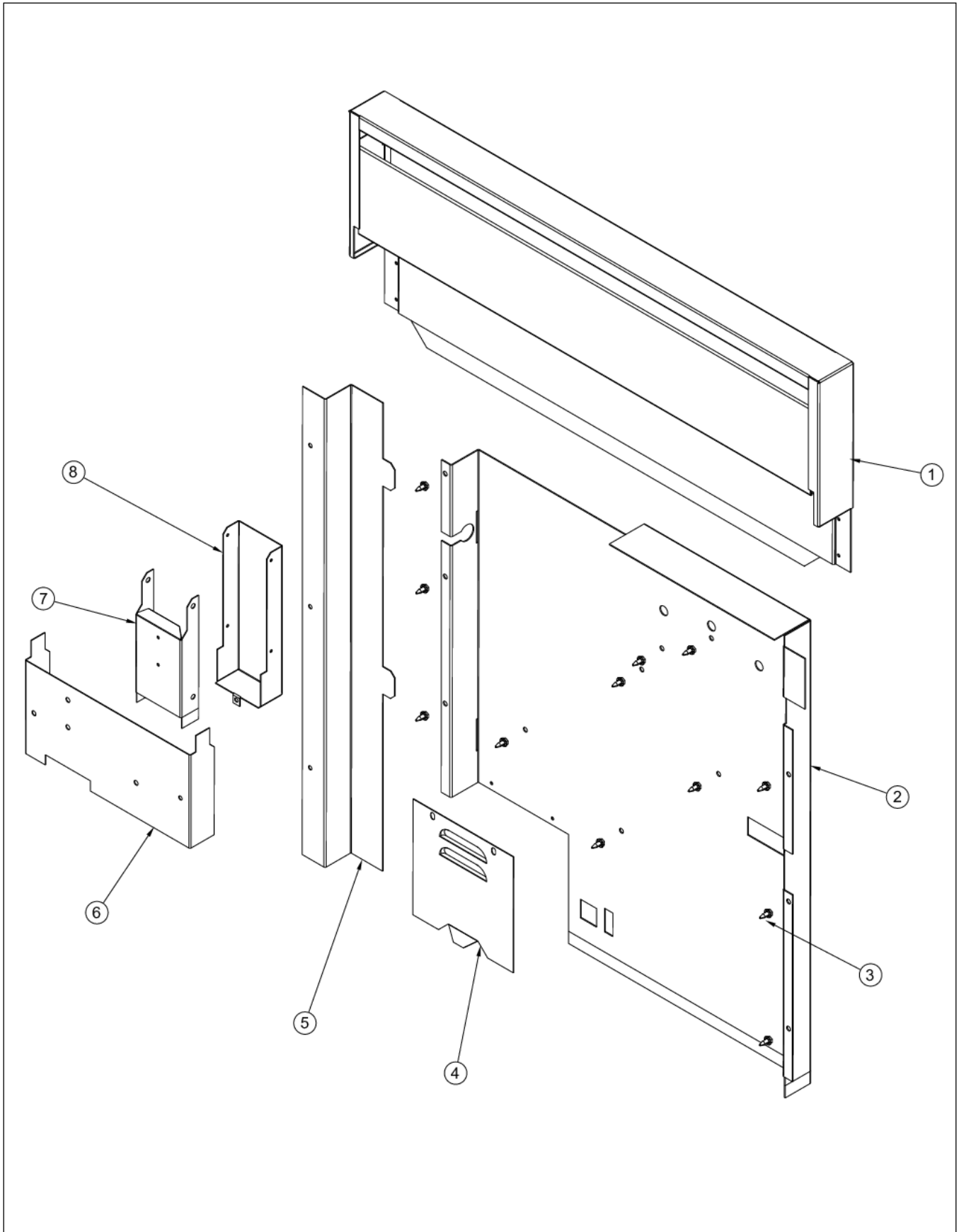
OVEN RACKS





Item	Part No.	Name	Qty	Uom	NOTES
1	042251-000	PAN, GRILL, TOP, PORCELAIN	1	EA	
2	042252-000	PAN, BROILER, BTM, PORCELAIN	1	EA	
3	029891-000	GLIDE RACK, DUEL FUEL 30"	3	EA	
NI	042253-000	PAN, BROILER, PORCELAIN ASM	1	EA	

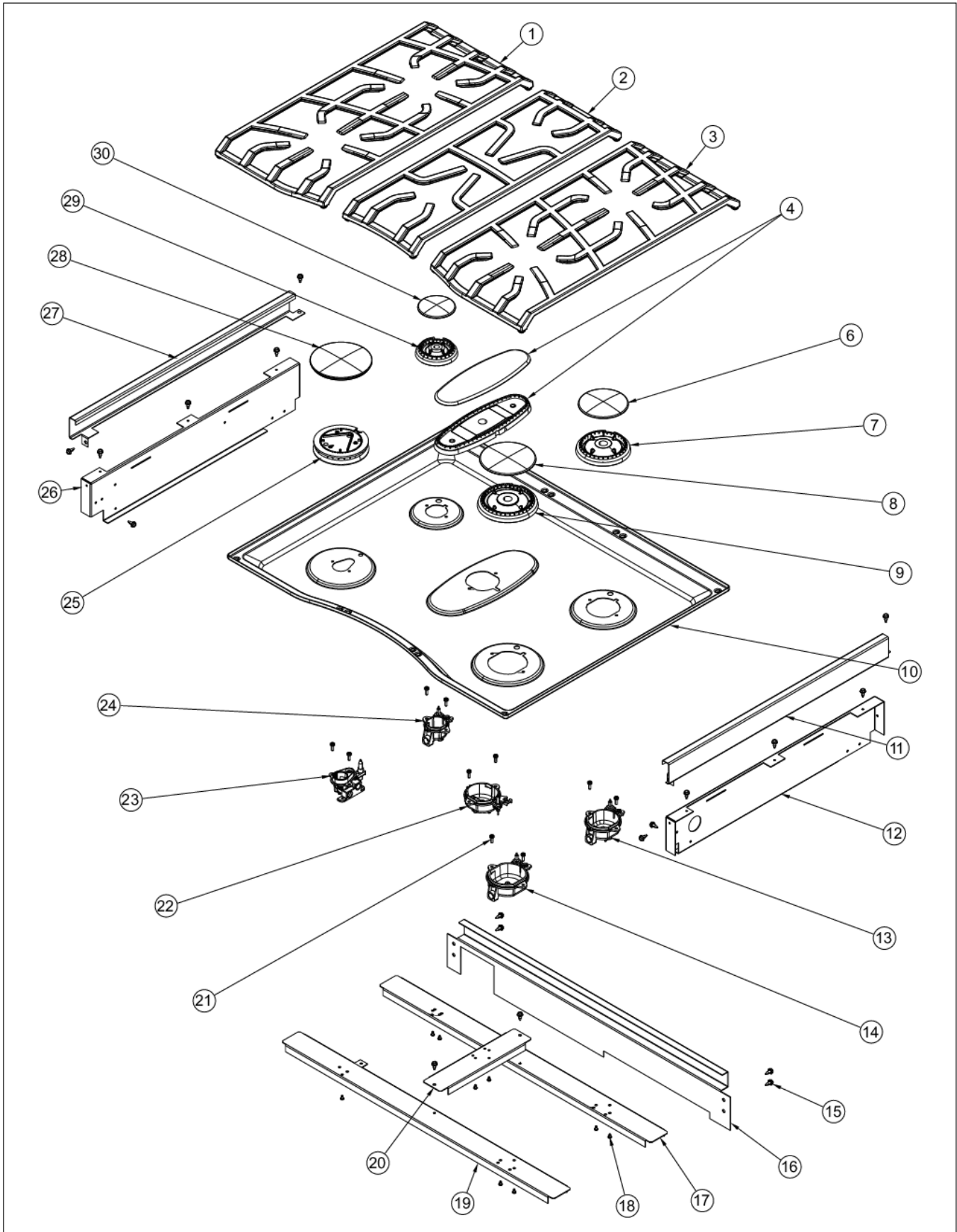
REAR SHEET METAL



Item	Part No.	Name	Qty	Uom	NOTES
1	033330-000	30" D3 BACKGUARD, ASM	1	EA	
2	003272-000	COVER, BACK	1	EA	
3	003860-000	10-18 x .500 FASTNR,SCR,HXWH,STL,ZPLT	12	EA	
4	A2002454	BACK, COVER ACCESS DOOR	1	EA	
5	015607-000	CHANNEL, WIRE, DSCD	1	EA	
6	14553-000	DUCT, AIR	1	EA	Not available online / Call for pricing and availability
7	014554-000	BOX,FLUE,FRONT	1	EA	
8	A20010101	FLUE, OUTSIDE SHELL	1	EA	



SURFACE BURNER AREA

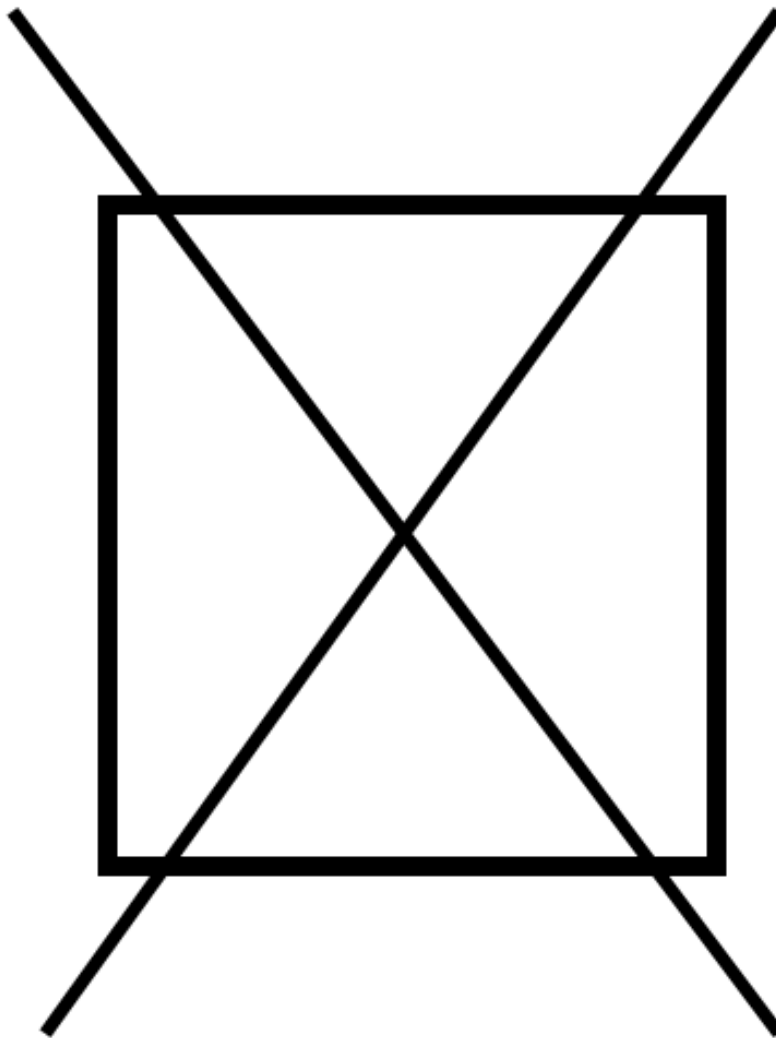


Item	Part No.	Name	Qty	Uom	NOTES
1	052966-000	D3 LH GRATE ASM	1	EA	
2	031225-000	D3 CENTER GRATE ASM	1	EA	
3	052954-000	D3 RH GRATE ASM	1	EA	
4	030984-000	FISH BNR, 9200 BTU	1	EA	
6	031413-000	BNR CAP, RAPID, 12000 BTU	1	EA	
7	031417-000	BNR HEAD, RAPID, 12000 BTU	1	EA	
8	031412-000	BNR CAP, ULTRARAPID, 18000 BTU	1	EA	
9	031416-000	BNR HEAD, ULTRARAPID, 18000 BTU	1	EA	
10	030938-402	30" D3 SEALED TOP W/BK PORCELAIN	1	EA	
11	013986-000	TRIM, SIDE, RT, D130	1	EA	
12	031073-000	PANEL, SIDE, RH	1	EA	
13	030973-000	BNR BASE, RAPID, 12000 BTU	1	EA	
14	031022-000	BNR BASE, ULTRARAPID, 18000 BTU	1	EA	
15	003860-000	10-18 x .500 FASTNR,SCR,HXWH,STL,ZPLT	18	EA	
16	031023-000	SUPPORT, REAR BURNER BOX	1	EA	
17	031004-000	BURNER CHANNEL REAR	1	EA	
18	PD020006	' #6-32 X 1/4" PH.PAN HD. T(F)	9	EA	
19	031003-000	BURNER CHANNEL, FRONT	1	EA	
20	031005-000	CENTER BURNER CHANNEL	1	EA	
21	036100-000	FASTENER, SCR, M4	10	EA	
22	030977-000	BNR BASE, FISH, 9200 BTU	1	EA	
23	030978-000	BASE, STACKED BURNER	1	EA	
24	030974-000	BNR BASE, SEMIRAPID, 8000 BTU	1	EA	
25	031419-000	BURNER HEAD, STACKED	1	EA	
26	031074-000	PANEL, SIDE, LH	1	EA	
27	014543-000	TRIM, SIDE, LF, DESIGNER	1	EA	
28	031415-000	BURNER CAP, STACKED	1	EA	
29	031418-000	BNR HEAD, SEMIRIPID, 8000 BTU	1	EA	

Item	Part No.	Name	Qty	Uom	NOTES
30	031414-000	BNR CAP, SIMIRAPID, 80000 BTU	1	EA	
NI	031430-000	GRATE, FOOT	12	EA	
	NOTE	(BEFORE 02/21/2018)		EA	
NI	051547-000	GRATE FOOT	12	EA	
	NOTE	(ON OR AFTER 02/21/2018)		EA	

WIRING

NON  
ILLUSTRATED PART



Item	Part No.	Name	Qty	Uom	NOTES
NI	020019-000	HARNESS, WRG, CONTROL	1	EA	
NI	024869-000	RIBBON CABLE, RH	1	EA	
NI	024871-000	MAIN HARNESS	1	EA	
NI	023096-000	ADAPTER, HARN, ASM, LIGHT, SWITCH	1	EA	
NI	000647-000	IRIS IGNITOR WIRE, FRONT BURNER	12	EA	
NI	006766-000	IRIS IGNITOR WIRE, BACK BURNER	2	EA	
NI	023341-000	IRIS HARNESS 24, 30	1	EA	
NI	034587-000	HARNESS, WIRE, STACK BURNER	1	EA	
NI	036199-000	HARNESS, IGNITOR, ASM	1	EA	
NI	G4000936	GROUND WIRE	1	EA	
NI	PE070739	BAKE ELEMENT HARNESS	1	EA	



Appendix A:Pages Index

BACKGUARD ASSEMBLY ..... 1  
CAVITY AREA ..... 2  
CONTROL AREA ..... 3  
DOOR ASSEMBLY ..... 4  
ISLAND TRIM ASSEMBLY ..... 5  
LOWER UNIT AND SIDE PANELS ..... 6  
LP ORIFICES ..... 7  
OVEN ELECTRONICS ..... 8  
OVEN RACKS ..... 9  
REAR SHEET METAL ..... 10  
SURFACE BURNER AREA ..... 11  
WIRING ..... 12



Appendix B:Parts Index

000647-000	12	015615-000	8
000845-000	3	017752-000	4
002740-000	4	019185-000	2
002941-000	2	019186-000	2
003051-000	6	019262-000	6
003052-000	6	020019-000	12
003244-000	2	020474-000	3
003272-000	10	021340-000	6, 8
003333-000	8	023002-000	6, 8
003356-000	2	023044-000	4
003801-000	2	023096-000	12
003860-000	2, 6, 8, 10, 11	023341-000	12
004110-000	8	023825-000	6, 8
004152-000	4	024869-000	12
004153-000	4	024871-000	12
004285-000	8	027986-000	4
005255-000	2	027988-000	4
006766-000	12	028000-000	4
006807-000	4	028001-000	4
006808-000	4	028002-000	4
008971-000	4	029891-000	9
013250-000	8	030938-402	11
013528-000	2	030973-000	11
013547-000	2, 4	030974-000	11
013558-000	4	030977-000	11
013564-000	8	030978-000	11
013567-000	4	030983-000	4
013572-000	2	030984-000	11
013986-000	11	031003-000	11
014137-000	2	031004-000	11
014240-000	6	031005-000	11
014241-000	6	031022-000	11
014246-000	6	031023-000	11
014543-000	11	031073-000	11
014554-000	10	031074-000	11
015043-000	3	031162-000	4
015170-000	3	031225-000	11
015310-000	4	031297-000	3
015394-000	2	031380-000	3
015607-000	10	031387-000	3
		031388-000	3



031392-000	3	035005-008	6
031393-000	3	035005-009	6
031412-000	11	035005-010	6
031413-000	11	035005-012	6
031414-000	11	035005-013	6
031415-000	11	035005-015	6
031416-000	11	035005-016	6
031417-000	11	035005-017	6
031418-000	11	035005-018	6
031419-000	11	035005-021	6
031430-000	11	035005-022	6
031462-000	3	035005-023	6
031469-000	3	035005-024	6
031498-000	3	035005-025	6
031502-000	3	035005-051	6
031550-000	3	035005-052	6
031679-000	2	035005-053	6
031804-000	3	035005-054	6
031821-000	8	035006-002	6
032314-000	3	035006-003	6
032813-000	6	035006-004	6
032816-000	6	035006-005	6
032850-000	4	035006-006	6
032858-402	2	035006-008	6
032859-000	2	035006-009	6
032861-000	2	035006-010	6
032942-000	3	035006-012	6
032965-000	5	035006-013	6
033198-000	8	035006-015	6
033330-000	1, 10	035006-016	6
033331-000	1	035006-017	6
033332-000	1	035006-018	6
033333-000	1	035006-021	6
033334-000	1	035006-022	6
034587-000	12	035006-023	6
034765-000	3	035006-024	6
035005-002	6	035006-025	6
035005-003	6	035006-051	6
035005-004	6	035006-052	6
035005-005	6	035006-053	6
035005-006	6	035006-054	6





035265-000	7	035279-018	4
035266-000	7	035279-021	4
035267-000	7	035279-022	4
035268-000	7	035279-023	4
035270-000	7	035279-024	4
035278-002	4	035279-025	4
035278-003	4	035279-051	4
035278-004	4	035279-052	4
035278-005	4	035279-053	4
035278-006	4	035279-054	4
035278-008	4	035795-000	3
035278-009	4	036047-000	6, 8
035278-010	4	036100-000	11
035278-012	4	036165-000	7
035278-013	4	036199-000	12
035278-015	4	036576-000	3, 3
035278-016	4	038550-002	6
035278-017	4	038550-003	6
035278-018	4	038550-004	6
035278-021	4	038550-005	6
035278-022	4	038550-006	6
035278-023	4	038550-008	6
035278-024	4	038550-009	6
035278-025	4	038550-010	6
035278-051	4	038550-012	6
035278-052	4	038550-013	6
035278-053	4	038550-015	6
035278-054	4	038550-016	6
035279-002	4	038550-017	6
035279-003	4	038550-018	6
035279-004	4	038550-021	6
035279-005	4	038550-022	6
035279-006	4	038550-023	6
035279-008	4	038550-024	6
035279-009	4	038550-025	6
035279-010	4	038550-051	6
035279-012	4	038550-052	6
035279-013	4	038550-054	6
035279-015	4	038704-000	8
035279-016	4	038705-000	8
035279-017	4	039090-2393	3

039214-000	3	A20010101	10
039286-002	4	A20012649	8
039286-003	4	A20014021	2
039286-004	4	A20014044	2
039286-005	4	A2002195	2
039286-006	4	A2002454	10
039286-008	4	A2009659	8
039286-009	4	A2009697	2
039286-010	4	B21010915	2
039286-012	4	B21010916	2
039286-013	4	G4000936	8, 12
039286-015	4	G40015469	3
039286-016	4	M0104106	3
039286-017	4	PA010093	3
039286-018	4	PA020037	8
039286-021	4	PA020045	3
039286-022	4	PA0700001	3
039286-023	4	PB020275	2
039286-024	4	PB070079	8
039286-025	4	PB070246	4
039286-051	4	PC030007	6
039286-052	4	PD020002	4
039286-053	4	PD020006	3, 11
039286-054	4	PD020010	2
039287-000	4	PD020014	2
041847-000	7	PD020032	4
042251-000	9	PD020043	6, 8
042252-000	9	PD020048	2, 3, 8
042253-000	9	PD020055	1
044178-000	6	PD020062	2
046142-571	6, 8	PD020063	2, 4
051547-000	11	PD020232	2
052954-000	11	PD020261	3
052966-000	11	PD030109	8
066226-402	2	PD030172	6, 8
066227-402	2	PD040004	3
068038-601	2	PD040164	6, 8
072465-000	3	PE050206	2
080968-000	8	PE050208	8
14553-000	10	PE050250	8
A1002457	2	PE060094	4



PE070147 ..... 2  
PE070739 ..... 12  
PJ010047 ..... 2  
PJ010048 ..... 2  
PJ010049 ..... 2  
PJ030033 ..... 3  
PJ030035 ..... 3  
PM010014 ..... 2