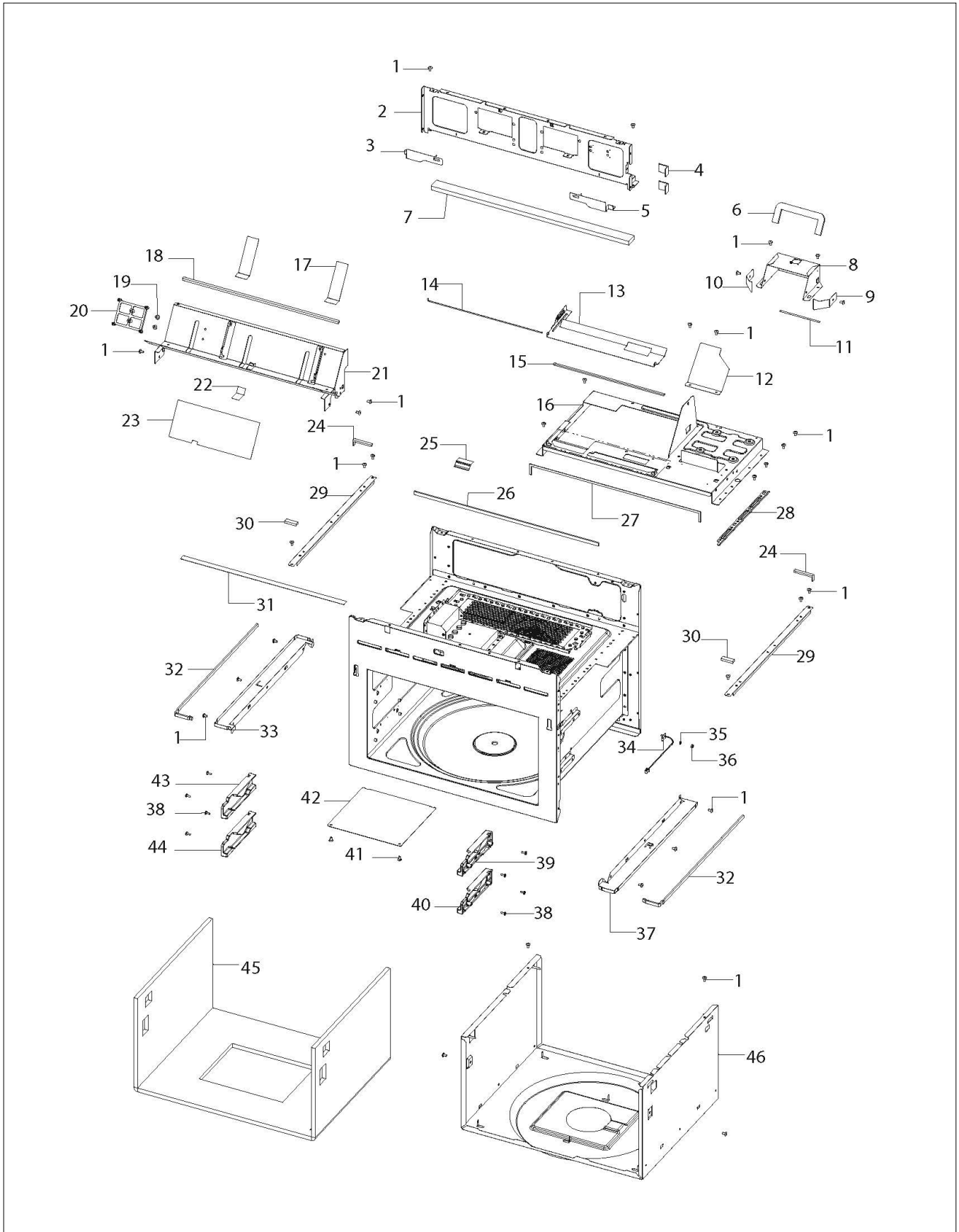


VMDD5306SS

VMDD5306SS Oven 2	1
VMDD5306SS Oven 1	2
VMDD5306SS Cabinet	3
VMDD5306SS Misc	4
VMDD5306SS Electrical	5
VMDD5306SS Door	6
VMDD5306SS Control Panel	7
Appendix A:Pages Index	A
Appendix B:Parts Index	B

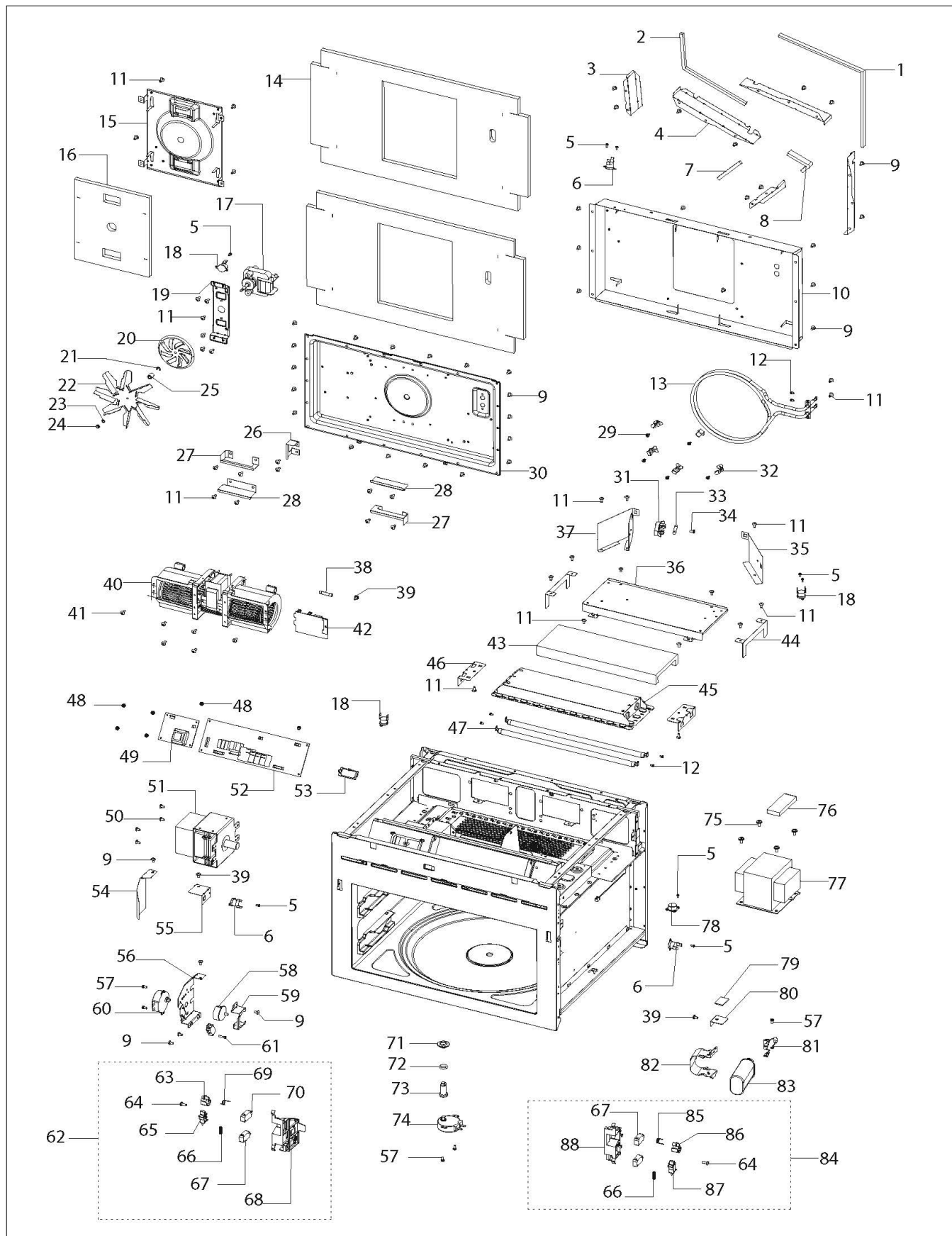
VMDD5306SS Oven 2



Item	Part No.	Name	Qty	Uom	NOTES
1	075763-000	TORX HEAD SCREW	35	EA	
2	075713-000	FAN MOTOR ANGLE ASSY	1	EA	
3	075842-000	INSULATION COVER L	1	EA	
4	075794-000	THERMISTOR CUSHION	2	EA	
5	075843-000	INSULATION COVER R	1	EA	
6	075883-000	CUSHION	1	EA	
7	075815-000	THERMAL INSULATION FMA UNDER	1	EA	
8	075812-000	EXHAUST DUCT	1	EA	
9	075821-000	AIR GUIDE PLATE	1	EA	
10	075822-000	AIR GUIDE PLATE 2	1	EA	
11	075793-000	Cushion	1	EA	
12	075845-000	INSULATION BOARD	1	EA	
13	075748-000	AIR DAMPER	1	EA	
14	075781-000	DAMPER SHAFT	1	EA	
15	075799-000	DAMPER CUSHION	1	EA	
16	075714-000	TRANS MOUNT ANGLE ASSY	1	EA	
17	075830-000	Sheet	2	EA	
18	075811-000	Cushion	1	EA	
19	075758-000	Torx screw M4 x 10	12	EA	
20	063822-000	PWB HOLDER	1	EA	
21	075716-000	FRONT DUCT SUB-ASSY	1	EA	
22	075832-000	PROTECTIVE SHEET	1	EA	
23	075831-000	PROTECTIVE SHEET	1	EA	
24	075805-000	CUSHION TOP 1	2	EA	
25	075878-000	SEALER FILM	1	EA	
26	075808-000	CUSHION	1	EA	
27	075798-000	TRANS MOUNT AG CUSHION	1	EA	
28	075736-000	ANGLE SUPPORT	1	EA	
29	075735-000	CHASSIS SUPPORT	2	EA	
30	075807-000	CUSHION CAV FACE TOP	2	EA	
31	075810-000	CUSHION	1	EA	
32	075802-000	BOTTOM SIDE CUSHION 2	2	EA	

Item	Part No.	Name	Qty	Uom	NOTES
33	075790-000	THERMAL COVER BOTTOM LEFT	1	EA	
34	070366-000	THERMISTOR (OVEN THERMISTOR)	1	EA	
35	PM120157	SPRING WASHER	2	EA	
36	022316-000	NUT	2	EA	
37	075789-000	THERMAL COVER BOTTOM RIGHT	1	EA	
38	075764-000	M3*10 P TITE BIND HEAD	8	EA	
39	075745-000	RACK HOLDER RIGHT F T	1	EA	
40	075747-000	RACK HOLDER RIGHT F B	1	EA	
41	075754-000	Torx screw M4 x 10	2	EA	
42	075783-000	Waveguide cover	1	EA	
43	075744-000	RACK HOLDER LEFT F T	1	EA	
44	075746-000	RACK HOLDER LEFT F B	1	EA	
45	075817-000	THERMAL INSULATION BOTTOM	1	EA	
46	075788-000	THERMAL COVER BOTTOM	1	EA	

VMDD5306SS Oven 1

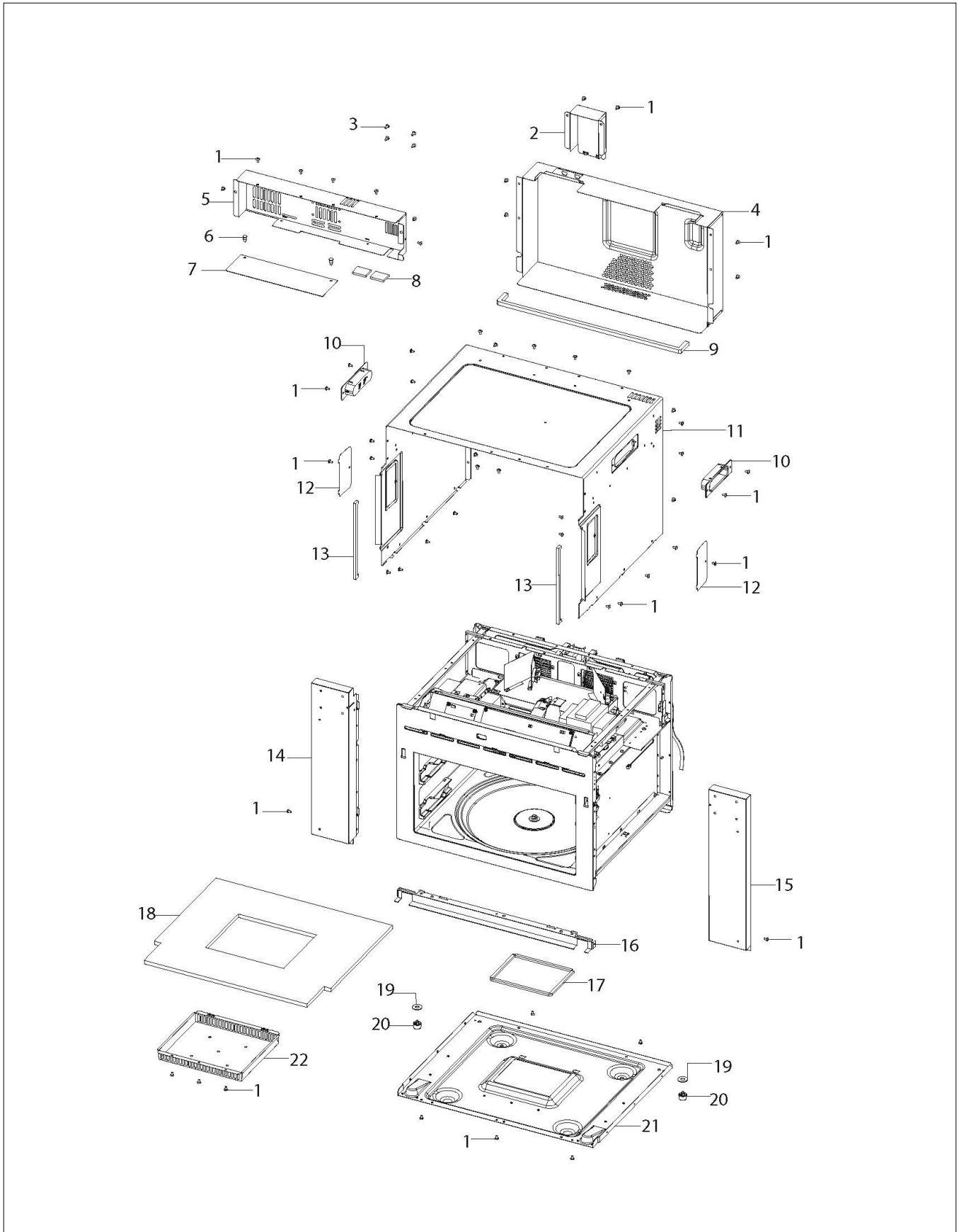


Item	Part No.	Name	Qty	Uom	NOTES
1	075809-000	CUSHION	1	EA	
2	075893-000	CUSHION	1	EA	
3	075838-000	AIR SEPARATOR PLATE REAR 2	2	EA	
4	075837-000	AIR SEPARATOR PLATE REAR 1	3	EA	
5	075756-000	Torx screw M3 x 6	8	EA	
6	070356-000	THERMAL CUTOFF(145/-20)	3	EA	
7	075803-000	CUSHION REAR 1	1	EA	
8	075804-000	CUSHION REAR 2	1	EA	
9	075763-000	TORX HEAD SCREW	50	EA	
10	075791-000	COVER REAR OUTER	1	EA	
11	075768-000	FASTENER	31	EA	
12	075751-000	Torx screw M3 x 5	6	EA	
13	075850-000	CONVECTION HEATER	1	EA	
14	075819-000	THERMAL INSULATION REAR OUTER	2	EA	
15	075792-000	THERMAL COVER REAR INNER	1	EA	
16	075820-000	THERMAL INSULATION REAR INNER	1	EA	
17	075854-000	CONVECTION MOTOR	1	EA	
18	075855-000	THERMAL CUT OUT	3	EA	
19	075741-000	CONV MOTOR ANGLE	1	EA	
20	075779-000	COOLING FAN	1	EA	
21	075894-000	Ring (SATL)	1	EA	
22	075780-000	CONVECTION FAN	1	EA	
23	PM120157	SPRING WASHER	2	EA	
24	022316-000	NUT	2	EA	
25	075828-000	PIPE	1	EA	
26	075834-000	REFLECTOR PLATE A	1	EA	
27	075835-000	REFLECTOR PLATE B	2	EA	
28	075836-000	REFLECTOR PLATE C	2	EA	
29	075766-000	M3*6 BIND C TITE SUS340	5	EA	
30	075814-000	CONVECTION DUCT	1	EA	

Item	Part No.	Name	Qty	Uom	NOTES
31	075848-000	FUSE HOLDER	1	EA	
32	075743-000	HEATER MOUNTING	5	EA	
33	075847-000	UL FUSE 10A	1	EA	
34	028721-000	Fastener(satl)	1	EA	
35	075833-000	Seperate angle right	1	EA	
36	075841-000	Thermal cover upper	1	EA	
37	075840-000	AIR SEPERATOR ANGLE(ADD HOLES)	1	EA	
38	063769-000	Fuse 20A. Littelfuse	1	EA	
39	075757-000	Torx screw M4 x 8	4	EA	
40	075721-000	FAN MOTOR	1	EA	
41	075758-000	Torx screw M4 x 10	12	EA	
42	075723-000	NOISE FILTER UNIT	1	EA	
43	075816-000	THERMAL INSULATION TOP B	1	EA	
44	075844-000	INSULATOR COVER	2	EA	
45	075829-000	GRILL BOX	1	EA	
46	075742-000	HEATER MOUNTING ANGLE	2	EA	
47	075851-000	GRILL HEATER	2	EA	
48	075753-000	Torx screw M3 x 8	6	EA	
49	063772-000	POWER SUPPLY UNIT	1	EA	
50	075767-000	FASTENER	4	EA	
51	075857-000	MAGNETRON	1	EA	
52	075722-000	CONTROL PANEL PWB	1	EA	
53	075718-000	LED HOLDER ASSY	1	EA	
54	075839-000	AIR SEPARATOR PLATE MG	1	EA	
55	075739-000	Mag. thermo mtg angle	1	EA	
56	075740-000	AIR DAMPER MOTOR AG	1	EA	
57	075755-000	Torx screw M4 x 8	5	EA	
58	075771-000	DAMPER CAM	1	EA	
59	075738-000	CAM SUPPORT AG	1	EA	
60	075853-000	DAMPER MOTOR	1	EA	
61	075765-000	M3*14 C TITE PAN HEAD	1	EA	
62	075719-000	LATCH HOLDER ASSY LEFT	1	EA	

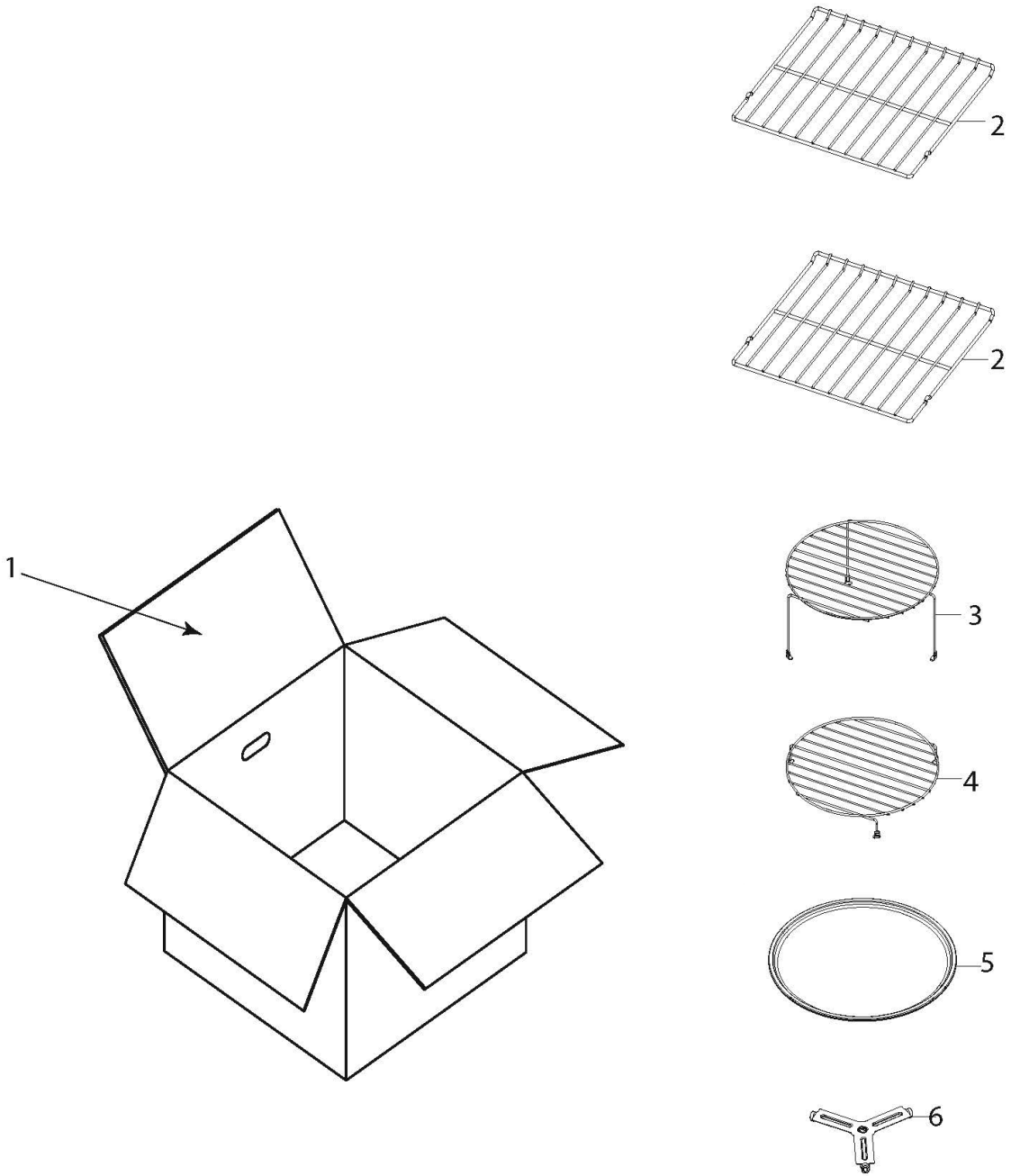
Item	Part No.	Name	Qty	Uom	NOTES
63	075774-000	LATCH SWITCH LEVER LEFT A	1	EA	
64	075759-000	TORX SCREW	2	EA	
65	075772-000	LATCH SWITCH LEVER LEFT B	1	EA	
66	014441-000	LATCH SWITCH SPRING B	2	EA	
67	062583-000	MICROSWITCH A	3	EA	
68	075823-000	LATCH SWITCH HOLDER LEFT	1	EA	
69	014435-000	LATCH LEVER SPRING C	1	EA	
70	063005-000	MICROSWITCH B	1	EA	
71	075826-000	SEAL PACKING M6000TC	1	EA	
72	075827-000	O-RING	1	EA	
73	075778-000	COUPLING	1	EA	
74	075852-000	TURNTABLE MOTOR	1	EA	
75	075761-000	Torx screw M5 x 10	4	EA	
76	075800-000	CUSHION	1	EA	
77	075856-000	HV TRANSFORMER	1	EA	
78	067599-000	SENSOR ASSY	1	EA	
79	075796-000	Cushion	1	EA	
80	075737-000	CABINET SUPPORT ANGLE	1	EA	
81	075717-000	HV Rectifier Assy	1	EA	
82	028724-000	HVC HOLDER	1	EA	
83	075849-000	HV CAPACITOR 0.94	1	EA	
84	075720-000	LATCH HOLDER ASSY RIGHT	1	EA	
85	075776-000	LATCH LEVER SPRING A	1	EA	
86	075775-000	LATCH SWITCH LEVER RIGHT A	1	EA	
87	075773-000	LATCH SWITCH LEVER RIGHT B	1	EA	
88	075824-000	LATCH SWITCH HOLDER RIGHT	1	EA	

VMDD5306SS Cabinet



Item	Part No.	Name	Qty	Uom	NOTES
1	075763-000	TORX HEAD SCREW	40	EA	
2	075813-000	BACK DUCT	1	EA	
3	075758-000	Torx screw M4 x 10	12	EA	
4	075728-000	BACK PLATE	1	EA	
5	075786-000	BLOWER MOTOR COVER	1	EA	
6	012005-000	CANOE CLIP	2	EA	
7	075787-000	BLOWER FAN MOTOR MICA	1	EA	
8	075806-000	CUSHION BFM AG UNDER	2	EA	
9	075797-000	BACK PLATE CUSHION	1	EA	
10	075734-000	CARRY HANDLE	2	EA	
11	075729-000	OUTER CASE CABINET	1	EA	
12	075784-000	Latch cover	2	EA	
13	075801-000	BOTTOM SIDE CUSHION 1	2	EA	
14	075866-000	SIDE TRIM LEFT	1	EA	
15	075865-000	SIDE TRIM RIGHT	1	EA	
16	075733-000	Lower face plate trim	1	EA	
17	075795-000	Cushion	1	EA	
18	075818-000	THERMAL INSULATION BOTTOM 2	1	EA	
19	075770-000	REAR FOOT WASHER	2	EA	
20	075732-000	Foot	2	EA	
21	075730-000	BASE PLATE	1	EA	
22	075785-000	BOTTOM COVER PAINTED	1	EA	

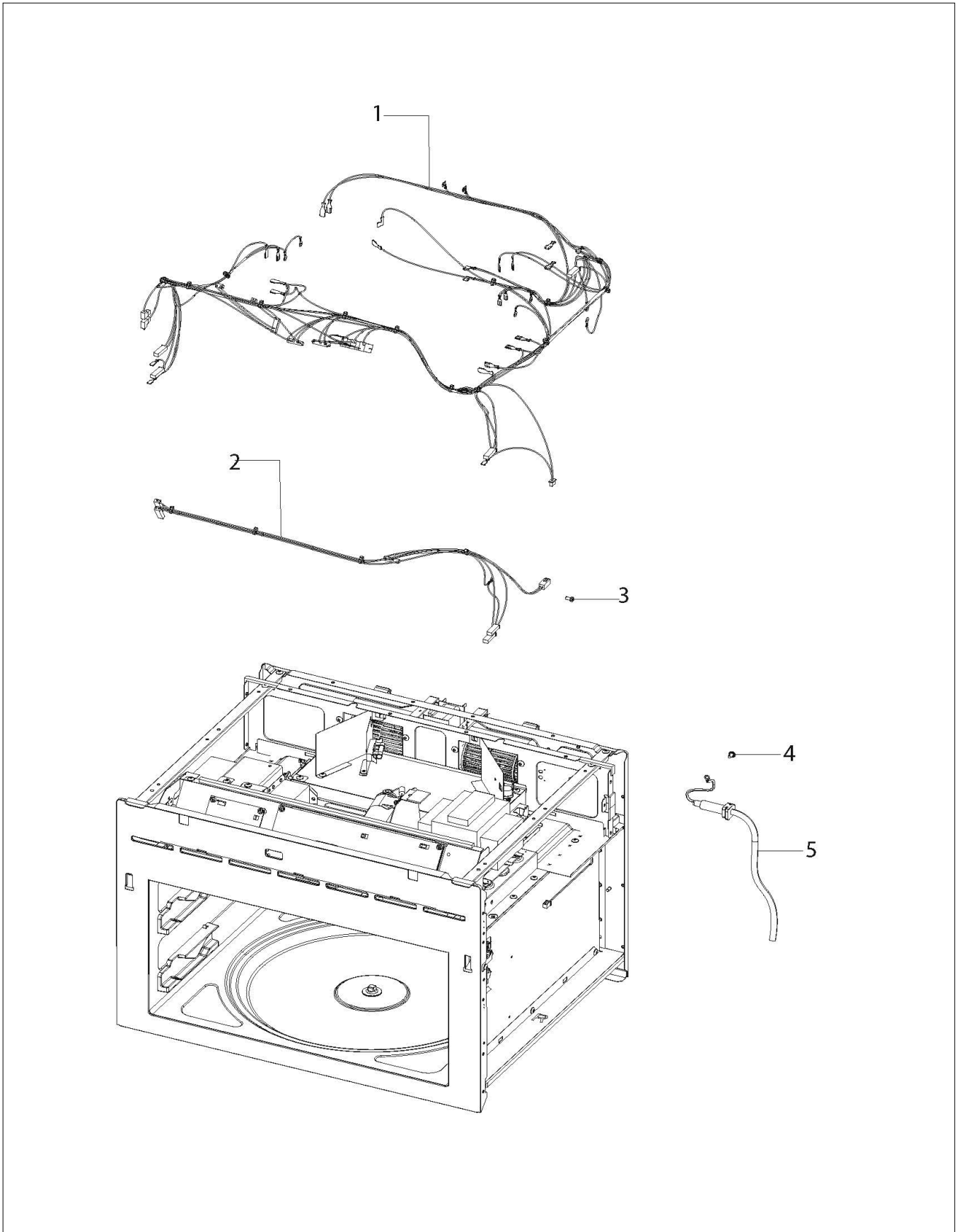
VMDD5306SS Misc





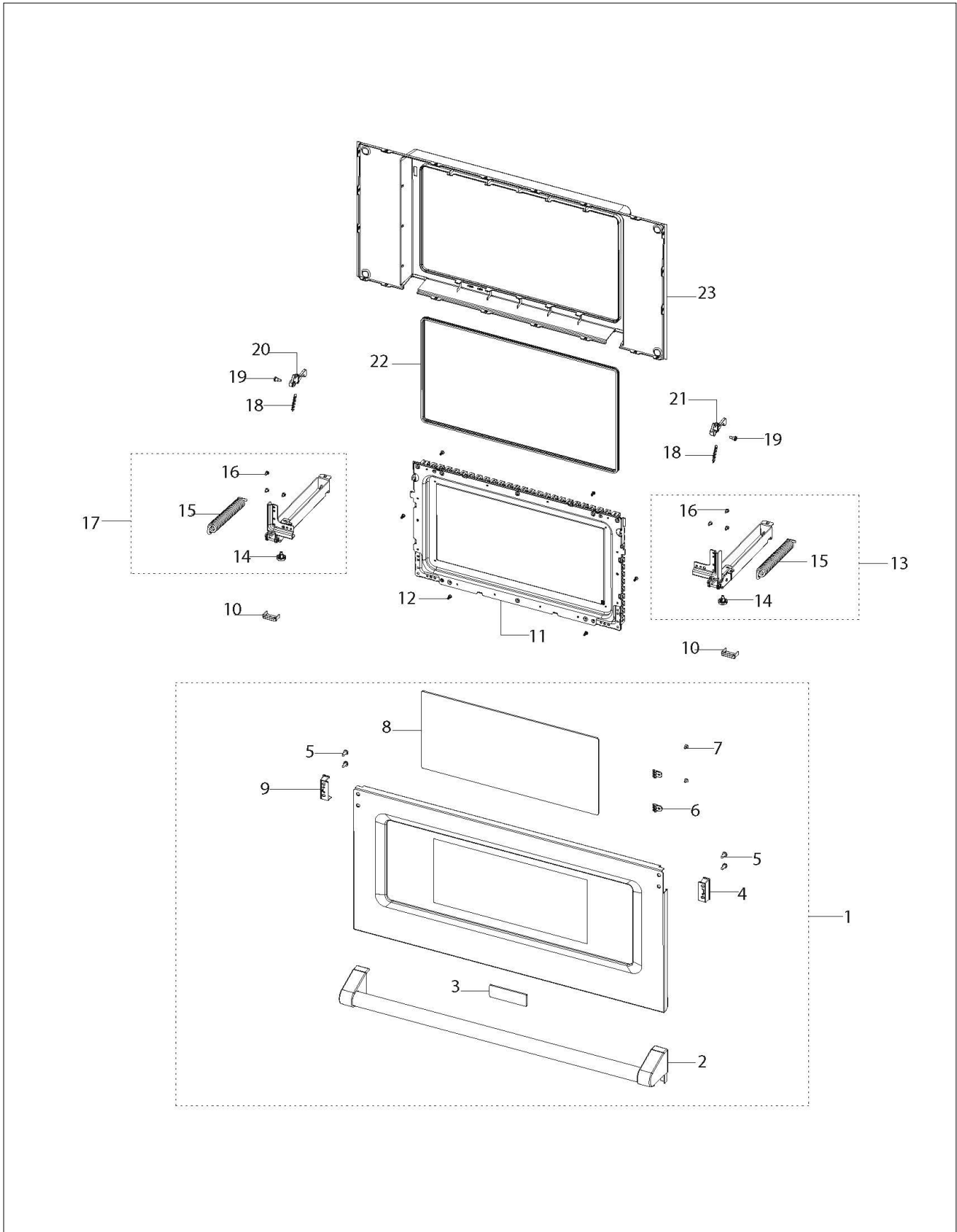
Item	Part No.	Name	Qty	Uom	NOTES
1	075884-000	PACKING CASE	1	EA	
2	075711-000	SQUARE RACK	2	EA	
3	075710-000	Trivet assy	1	EA	
4	075712-000	TRIVET LOW ASSY	1	EA	
5	076055-000	TURNTABLE TRAY	1	EA	
6	075724-000	ROLLER STAY ASSEMBLY	1	EA	
NI	077931-000	INSTALL HARDWARE	1	EA	

VMDD5306SS Electrical



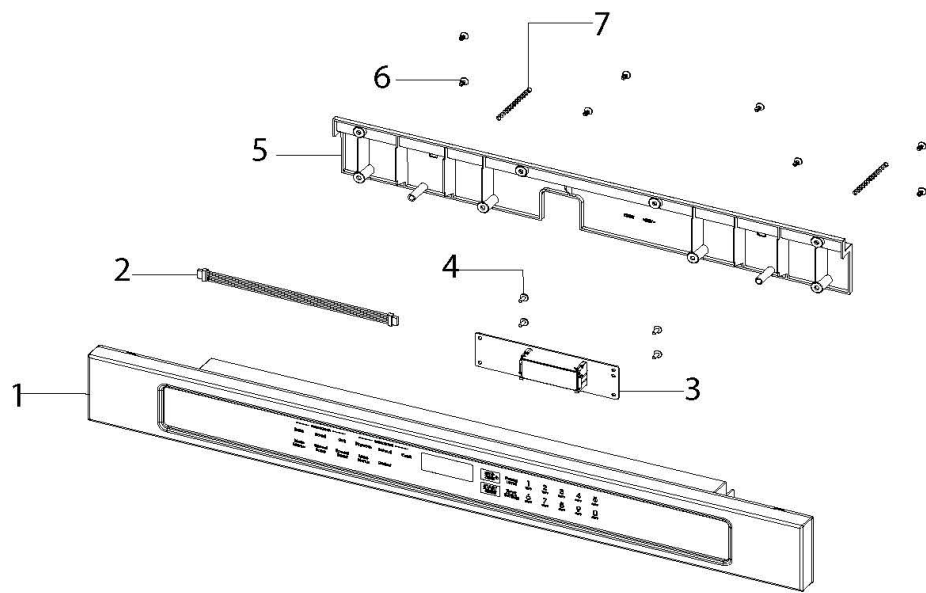
Item	Part No.	Name	Qty	Uom	NOTES
1	075726-000	MAIN HARNESS	1	EA	
2	075725-000	CONTROL HARNESS	1	EA	
3	075755-000	Torx screw M4 x 8	1	EA	
4	075757-000	Torx screw M4 x 8	1	EA	
5	075846-000	POWER CORD	1	EA	
6	075727-000	TT MOTOR HARNESS	1	EA	

VMDD5306SS Door



Item	Part No.	Name	Qty	Uom	NOTES
1	075858-000	DOOR ASSEMBLY	1	EA	
2	075859-000	HANDLE ASSEMBLY	1	EA	
3	070291-000	Viking prof. badge	1	EA	
4	075868-000	HANDLE MOUNTING ANGLE RIGHT	1	EA	
5	075874-000	TORX SCREW	4	EA	
6	075869-000	DOOR GLASS STOPPER	2	EA	
7	075870-000	TORX SCREW	2	EA	
8	075877-000	MIDDLE DOOR GLASS	1	EA	
9	075867-000	HANDLE MOUNTING ANGLE LEFT	1	EA	
10	075782-000	HINGE CAP	2	EA	
11	075715-000	DOOR PANEL ASSEMBLY	1	EA	
12	075873-000	TORX SCREW	6	EA	
13	075862-000	HINGE ASSEMBLY RIGHT	1	EA	
14	075731-000	FRONT FOOT	2	EA	
15	075777-000	DOOR SPRING	2	EA	
16	075769-000	Torx screw M4 x 6	6	EA	
17	075863-000	HINGE ASSEMBLY LEFT	1	EA	
18	075892-000	LATCH HEAD SPRING	2	EA	
19	075762-000	LATCH HEAD SCREW	2	EA	
20	075750-000	LATCH HEAD L	1	EA	
21	075749-000	LATCH HEAD R	1	EA	
22	075825-000	DOOR PACKING	1	EA	
23	075864-000	CHOKE COVER	1	EA	

VMDD5306SS Control Panel



Item	Part No.	Name	Qty	Uom	NOTES
1	075860-000	CONTROL PANEL SUB ASSEMBLY	1	EA	
2	075891-000	KEY BOARD CABLE	1	EA	
3	075861-000	DISPLAY PWB ASSEMBLY	1	EA	
4	075870-000	TORX SCREW	4	EA	
5	075876-000	CONTROL PANEL REAR COVER	1	EA	
6	075872-000	TORX SCREW	8	EA	
7	075875-000	EARTH SPRING	1	EA	



Appendix A:Pages Index

VMDD5306SS Cabinet 3
VMDD5306SS Control Panel 7
VMDD5306SS Door 6
VMDD5306SS Electrical 5
VMDD5306SS Misc 4
VMDD5306SS Oven 1 2
VMDD5306SS Oven 2 1



Appendix B:Parts Index

012005-000	3	075735-000	1
014435-000	2	075736-000	1
014441-000	2	075737-000	2
022316-000	1, 2	075738-000	2
028721-000	2	075739-000	2
028724-000	2	075740-000	2
062583-000	2	075741-000	2
063005-000	2	075742-000	2
063769-000	2	075743-000	2
063772-000	2	075744-000	1
063822-000	1	075745-000	1
067599-000	2	075746-000	1
070291-000	6	075747-000	1
070356-000	2	075748-000	1
070366-000	1	075749-000	6
075710-000	4	075750-000	6
075711-000	4	075751-000	2
075712-000	4	075753-000	2
075713-000	1	075754-000	1
075714-000	1	075755-000	2, 5
075715-000	6	075756-000	2
075716-000	1	075757-000	2, 5
075717-000	2	075758-000	1, 2, 3
075718-000	2	075759-000	2
075719-000	2	075761-000	2
075720-000	2	075762-000	6
075721-000	2	075763-000	1, 2, 3
075722-000	2	075764-000	1
075723-000	2	075765-000	2
075724-000	4	075766-000	2
075725-000	5	075767-000	2
075726-000	5	075768-000	2
075727-000	5	075769-000	6
075728-000	3	075770-000	3
075729-000	3	075771-000	2
075730-000	3	075772-000	2
075731-000	6	075773-000	2
075732-000	3	075774-000	2
075733-000	3	075775-000	2
075734-000	3	075776-000	2
		075777-000	6

075778-000	2	075819-000	2
075779-000	2	075820-000	2
075780-000	2	075821-000	1
075781-000	1	075822-000	1
075782-000	6	075823-000	2
075783-000	1	075824-000	2
075784-000	3	075825-000	6
075785-000	3	075826-000	2
075786-000	3	075827-000	2
075787-000	3	075828-000	2
075788-000	1	075829-000	2
075789-000	1	075830-000	1
075790-000	1	075831-000	1
075791-000	2	075832-000	1
075792-000	2	075833-000	2
075793-000	1	075834-000	2
075794-000	1	075835-000	2
075795-000	3	075836-000	2
075796-000	2	075837-000	2
075797-000	3	075838-000	2
075798-000	1	075839-000	2
075799-000	1	075840-000	2
075800-000	2	075841-000	2
075801-000	3	075842-000	1
075802-000	1	075843-000	1
075803-000	2	075844-000	2
075804-000	2	075845-000	1
075805-000	1	075846-000	5
075806-000	3	075847-000	2
075807-000	1	075848-000	2
075808-000	1	075849-000	2
075809-000	2	075850-000	2
075810-000	1	075851-000	2
075811-000	1	075852-000	2
075812-000	1	075853-000	2
075813-000	3	075854-000	2
075814-000	2	075855-000	2
075815-000	1	075856-000	2
075816-000	2	075857-000	2
075817-000	1	075858-000	6
075818-000	3	075859-000	6



075860-000 7
075861-000 7
075862-000 6
075863-000 6
075864-000 6
075865-000 3
075866-000 3
075867-000 6
075868-000 6
075869-000 6
075870-000 6, 7
075872-000 7
075873-000 6
075874-000 6
075875-000 7
075876-000 7
075877-000 6
075878-000 1
075883-000 1
075884-000 4
075891-000 7
075892-000 6
075893-000 2
075894-000 2
076055-000 4
077931-000 4
PM120157 1, 2