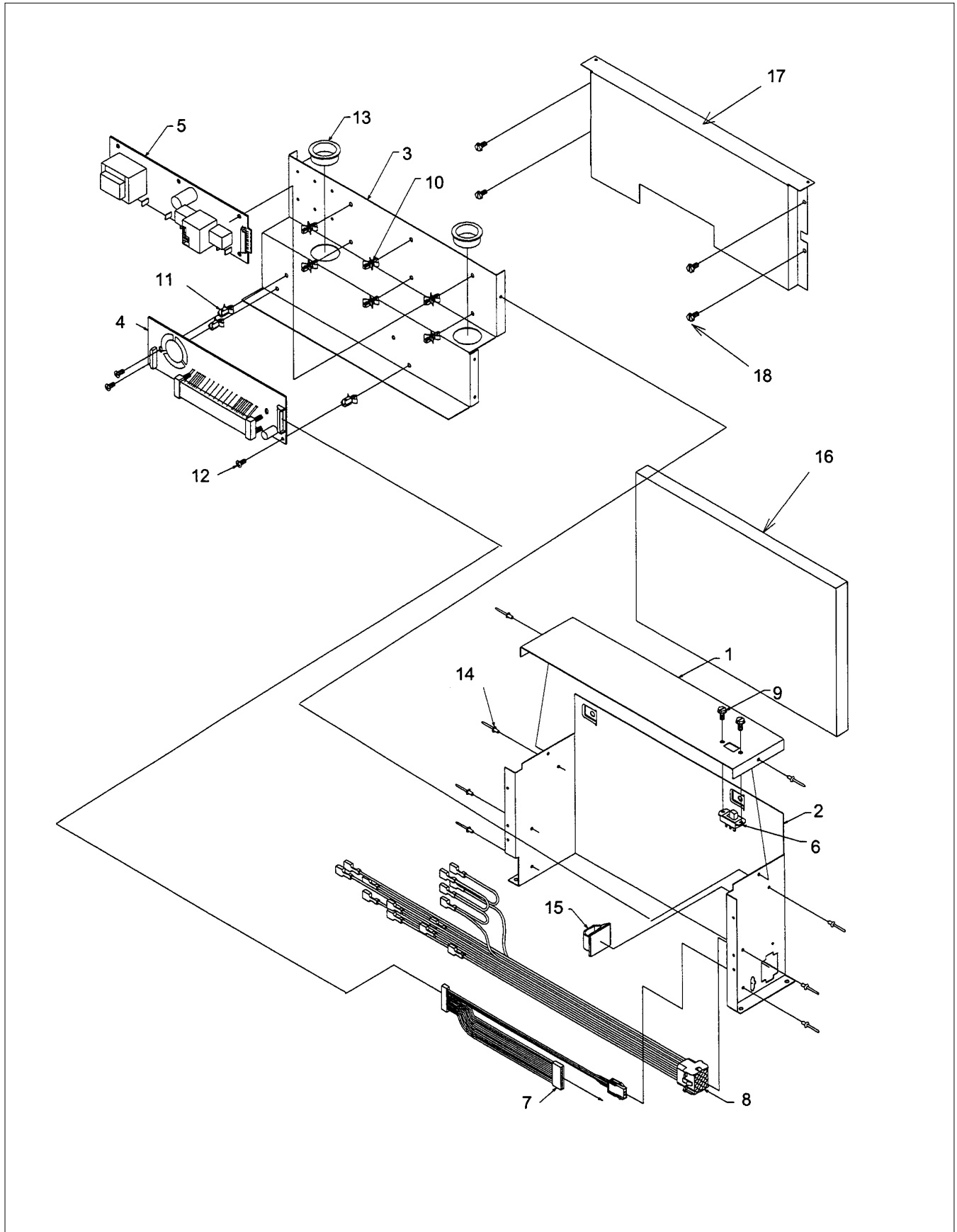


DFBB363

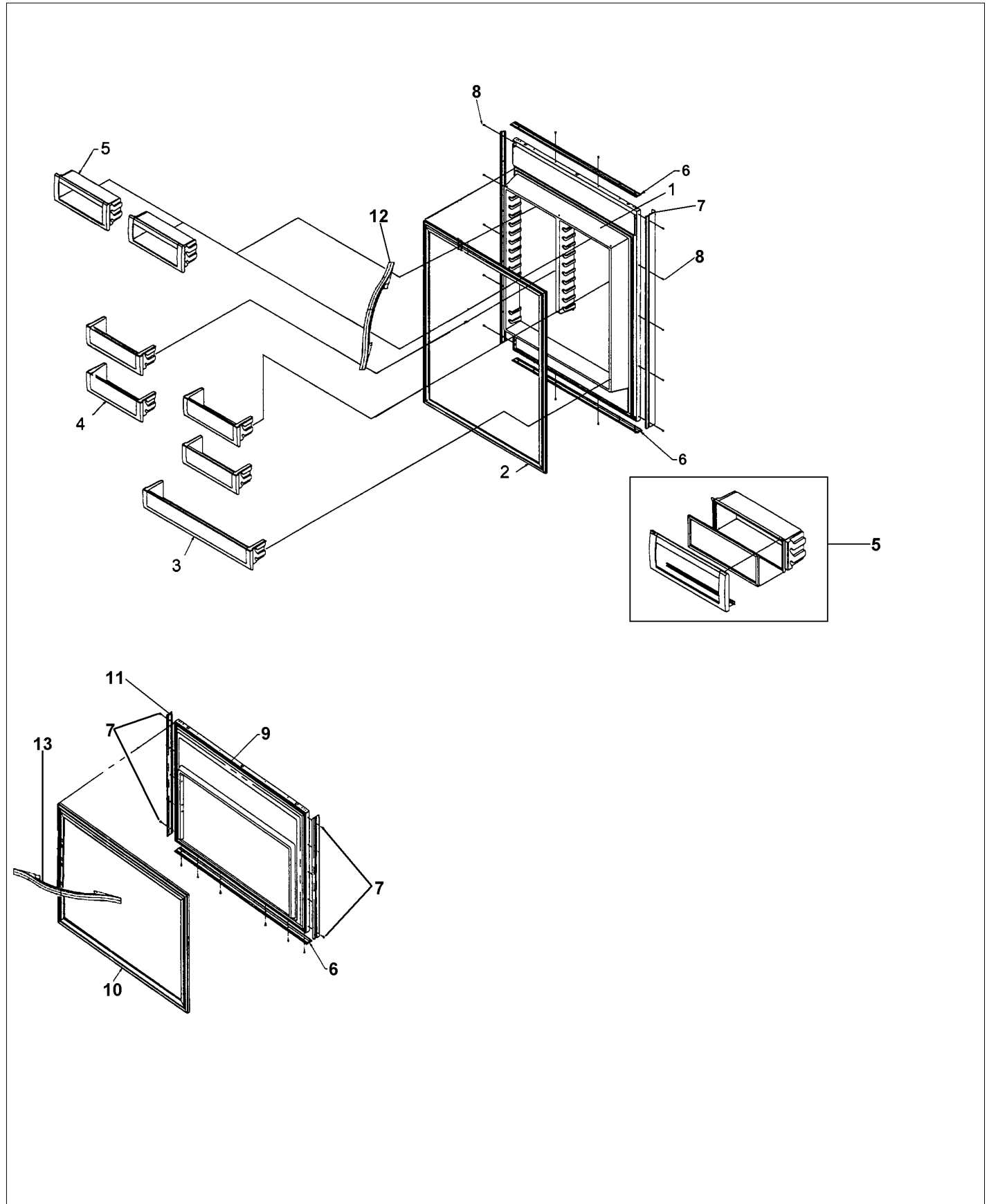
CONTROL ASSY	1
DOOR ASSY	2
DRAWER	3
EVAPORATOR AREA	4
FLOW CHART DEFROST	5
FLOW CHART ICE MAKER	6
FLOW CHART NO COMPRESSOR	7
LADDERS	8
ROLLER ASSY	9
SHELVING	10
TOP HINGES	11
UPPER GRILLE	12
Appendix A:Pages Index	A
Appendix B:Parts Index	B

CONTROL ASSY



Item	Part No.	Name	Qty	Uom	NOTES
1	K2096429	SUB TO K2098657 - TOP-CONT BOX 12090801		EA	NO LONGER AVAILABLE
2	K2097709	BOX CONTROL		EA	NO LONGER AVAILABLE
3	K2096430	BRKT-PC 12090901		EA	NO LONGER AVAILABLE
4	002670-000	LOW VOLTAGE BOARD KIT W/HARNESS		EA	
	NOTE	BEFORE 01/22/05		EA	
	PE070728	BOARD LOW VOLTAGE		EA	
	NOTE	ON OR AFTER 01/22/05		EA	
5	005319-000	POWER CONTROL BOARD ASM 5 SERIES		EA	
6	10544502	SWITCH-SLIDE GRN		EA	
7	PE970464	HARNESS LOW VOLT 5 SERIES		EA	
8	PE970465	HARNESS HIGH VOLT		EA	
9	M0223816	SCREW-TR		EA	NO LONGER AVAILABLE
10	M0585504	SUPPORT PC BOARD		EA	
11	M0585506	SUPPORT		EA	
12	PD020013	TYPE "AB" #6 X 3/8 PH PAN HD. SMS		EA	
13	A4554817	BUSHING-SNAP VA4554817		EA	
14	PC040010	POP RIVET (.063/GR -.125) GAMD42-A		EA	
15	M0104106	CLIP-CORD VM0104106		EA	
16	12074703	INSUL-CONT BOX V12074703		EA	NO LONGER AVAILABLE, Not available online / Call for pricing and availability
17	K2096431	FRONT-CONT PANEL 12091001		EA	
18	M0238616	SCREW-SM		EA	
NI	M0288120	NUT-SPEED VM0288120		EA	

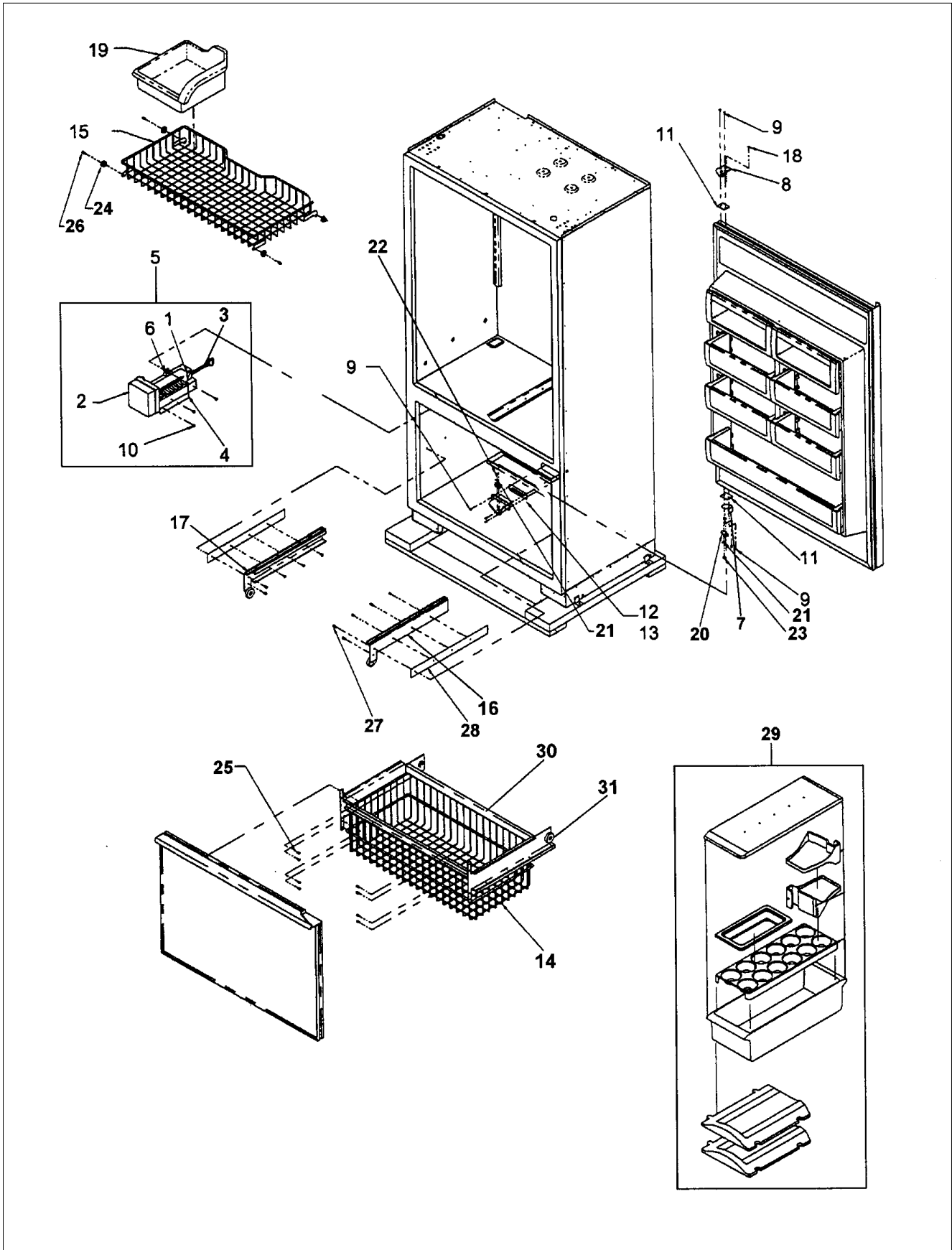
DOOR ASSY



Item	Part No.	Name	Qty	Uom	NOTES
1	G5097714	Ref. Door Foam Assy.	1	EA	NO LONGER AVAILABLE
2	PB070290	DOOR GASKET, 36 BM FF SIDE CHARGE	1	EA	
3	V12039701	Door Shelf Assy	1	EA	Not available online / Call for pricing and availability
4	12055401	Door Shelf Assy	1	EA	
5	V12097404	DAIRY MODULE ASM RPLS V12062603S	1	EA	
6	PM910099	FRAME DOOR BM TOP/BTM 12063501 - NLA	1	EA	
7	PM910101	FRAME DOOR BM FF SIDE 12063503	1	EA	
8	M0210458	SCR 8-18 X 5/8 WAFER PH SMS	1	EA	
9	G3297161	FZ Door Foam Assy	1	EA	NO LONGER AVAILABLE
10	PB070289	DOOR GASKET, 36 BM FZ SIDE CHARGE	1	EA	
11	PM910100	FRAME DOOR BM FZ SIDE 12063502	1	EA	NO LONGER AVAILABLE
12	PE030092	FF/FZ DR. HANDLE - DESIGNER - *SS*	1	EA	NO LONGER AVAILABLE
	PE030092PVD	FF/FZ DR. HANDLE - DESIGNER - BRASS	1	EA	NO LONGER AVAILABLE
13	PE030166	Handle, Freezer Door - SS	1	EA	
	PE030166PVD	Handle, Freezer Door - BR	1	EA	Not available online / Call for pricing and availability
NI	M0204303	SCREW-MACH	1	EA	
NI	10921220	Foam Block EPS - Ref. Door	1	EA	Not available online / Call for pricing and availability
NI	10921223	Foam Block EPS - Frz. Door	1	EA	Not available online / Call for pricing and availability
NI	PM910094	Screw Cover Insert, Top/Btm (Ref.) - Btm (Frz.)	1	EA	
NI	PM910096	Screw Cover Insert, Side (Ref.)	1	EA	
NI	PM910095	Screw Cover Insert, Side (Frz.)	1	EA	

Item	Part No.	Name	Qty	Uom	NOTES
NI	PM910108	Screw Cover Insert, Top (Frz.)	1	EA	
NI	K2096646	BRKT - DEC PANEL	1	EA	
NI	K2096647	BRKT-DEC PANEL	1	EA	
NI	K2096648	BRKT-DEC PANEL	1	EA	

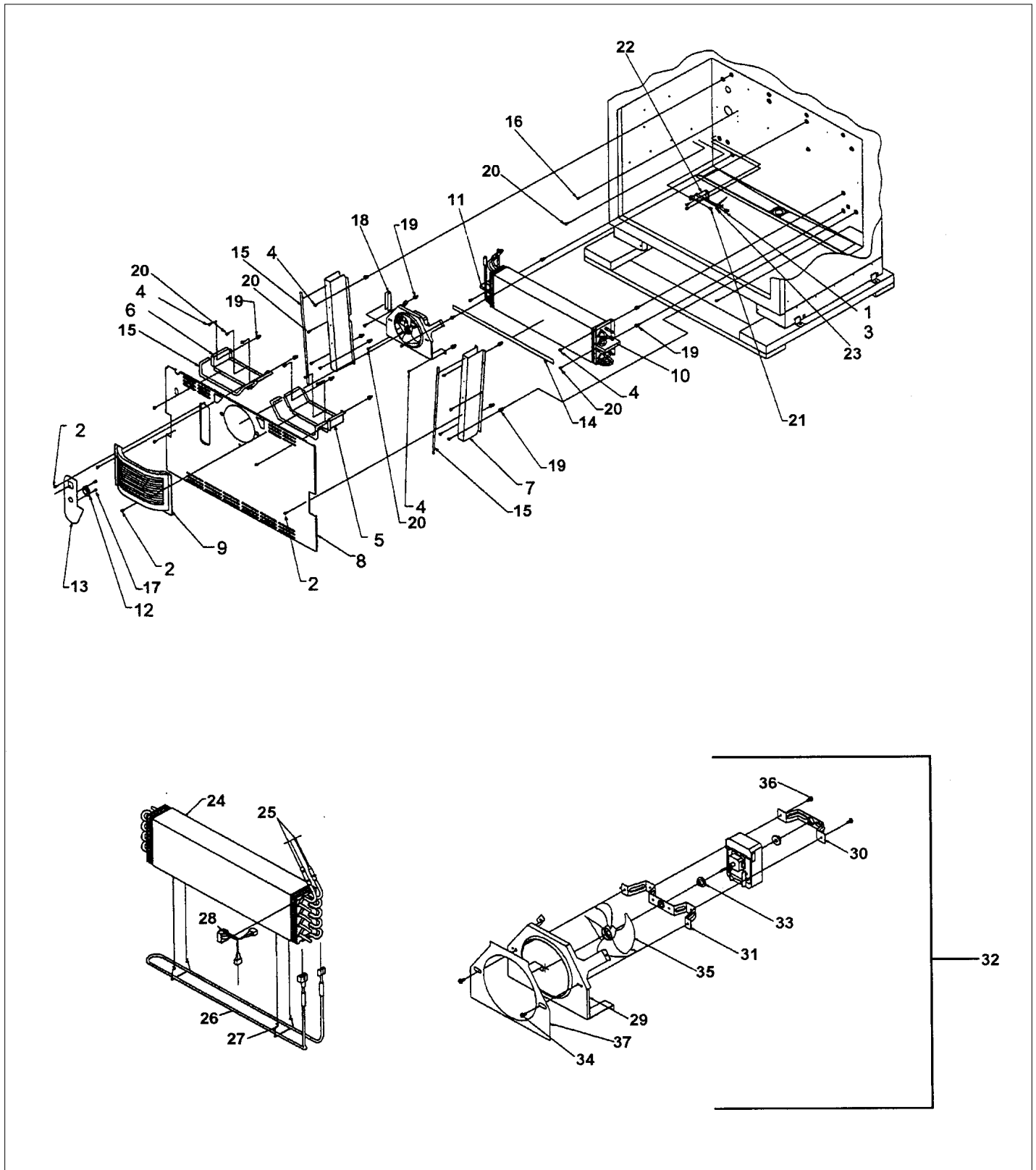
DRAWER



Item	Part No.	Name	Qty	Uom	NOTES
1	PD030155	CLIP-IM FILL CUP	1	EA	
2	V10519806V	COVER-IM	1	EA	Not available online / Call for pricing and availability
3	023112-000	HARNESS,ICE MAKER	1	EA	
4	PM910220	ARM-IM SHUTOFF	1	EA	
5	G50911858	ICE MAKER ASM, NLA, order components, see TR-0023C-SP	1	EA	NO LONGER AVAILABLE
6	10526701	CLAMP-WIRE V10526701	1	EA	
7	PC920040	RC LOWER HINGE ASSY, LH DFBB	1	EA	
NI	PC920170	HINGE ASM LOWER BM FO RH	1	EA	
8	PC920049	PIVOT PL ASSY, LH UP DFBB/DFSB	1	EA	
8	PC920047	PIVOT PL ASSY, RH UP	1	EA	
8	042386-000	FOL RH, 4 HOLE PIVOT PLATE KIT	1	EA	
9	M0226233	SUB TO PD920174 - 10 X 7/8 PHILLIPS SMA TRI LOBE SA	1	EA	
10	M0211018	Screw, SM	1	EA	
11	M6096628	SPCR HINGE REP V12530201/V12493901	1	EA	NO LONGER AVAILABLE
12	12068402	SHIM, CENTER HINGE	1	EA	Not available online / Call for pricing and availability
13	K10911852	SHIM-CENTER HINGE	1	EA	
14	G5097163	BASKET BOTTOM ASM BM 36	1	EA	
15	PM010634	BASKET TOP 36 BM FZ	1	EA	
16	G5096594	R BRACKET ASSY - RPLCS J9096618WH	1	EA	NO LONGER AVAILABLE
17	G5096595	L BRACKET ASSY - RPLCS J9096619WH - NLA	1	EA	
18	40370P01	NYLON FLAT WASHER V40370P01	1	EA	
19	PK930056	PAN ICE	1	EA	
20	PC020296	CAM DOOR CLOSURE TOP BLACK	1	EA	
NI	PC020228	CAM DOOR CLOSURE BOTTOM BLACK	1	EA	

Item	Part No.	Name	Qty	Uom	NOTES
21	M0272803	WASHER-LOCK	1	EA	
22	M0321202	TIE-ELEC	1	EA	
23	M0202528	SCREW-MACH #	1	EA	
NI	PC920045	PIVOT PL ASSY, LH LW	1	EA	
NI	PC920043	PIVOT PL ASSY, RH LW DFBB	1	EA	
24	12088001	ROLLER-UP BSKT V12088001	1	EA	
25	023005-000	SCREW,HEX,WASHER HEAD, #10-32X1/2"	1	EA	
26	PD020189	SHSCR 12/28 AB SKT .641	1	EA	
27	PD920174	10X7/8 PHILLIPS SMA TRI LOBE SA	1	EA	
28	PK930042	SPACER, GLIDE, BM	1	EA	
NI	B5720304	CLIP VB5720304	1	EA	
NI	M0210443	SCREW-E SM VM0210443	1	EA	
NI	M0224416	SCREW-SM	1	EA	
NI	G5096604	36" TOE GRILLE ASSY REPL 12064406	1	EA	
29	019244-000	ACCESSORY, ASM	1	EA	
30	PM910170	BASKET FRAME ASM 36 BM	1	EA	
31	12088101	ROLLER-OUTER GLIDE	1	EA	

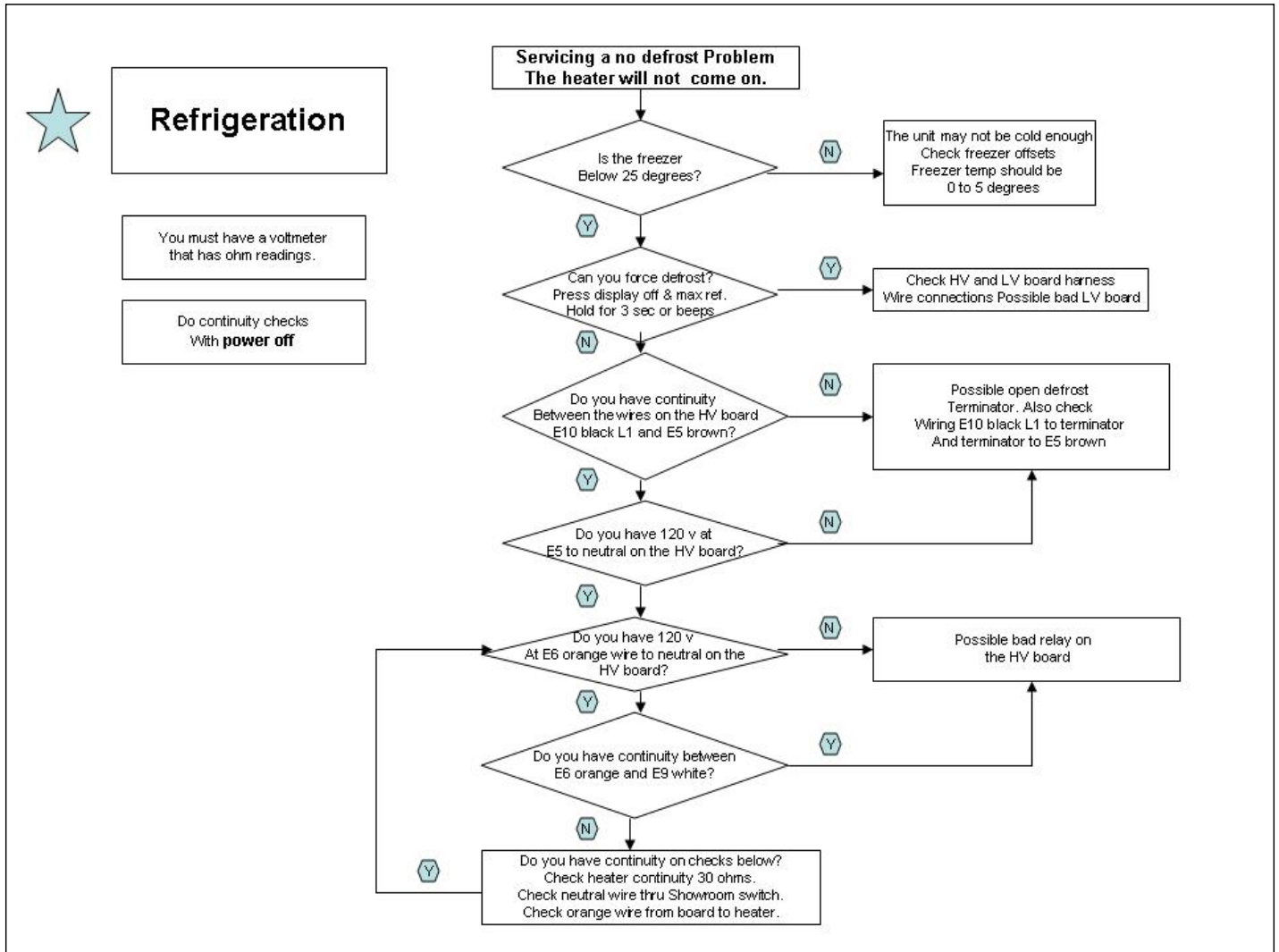
EVAPORATOR AREA



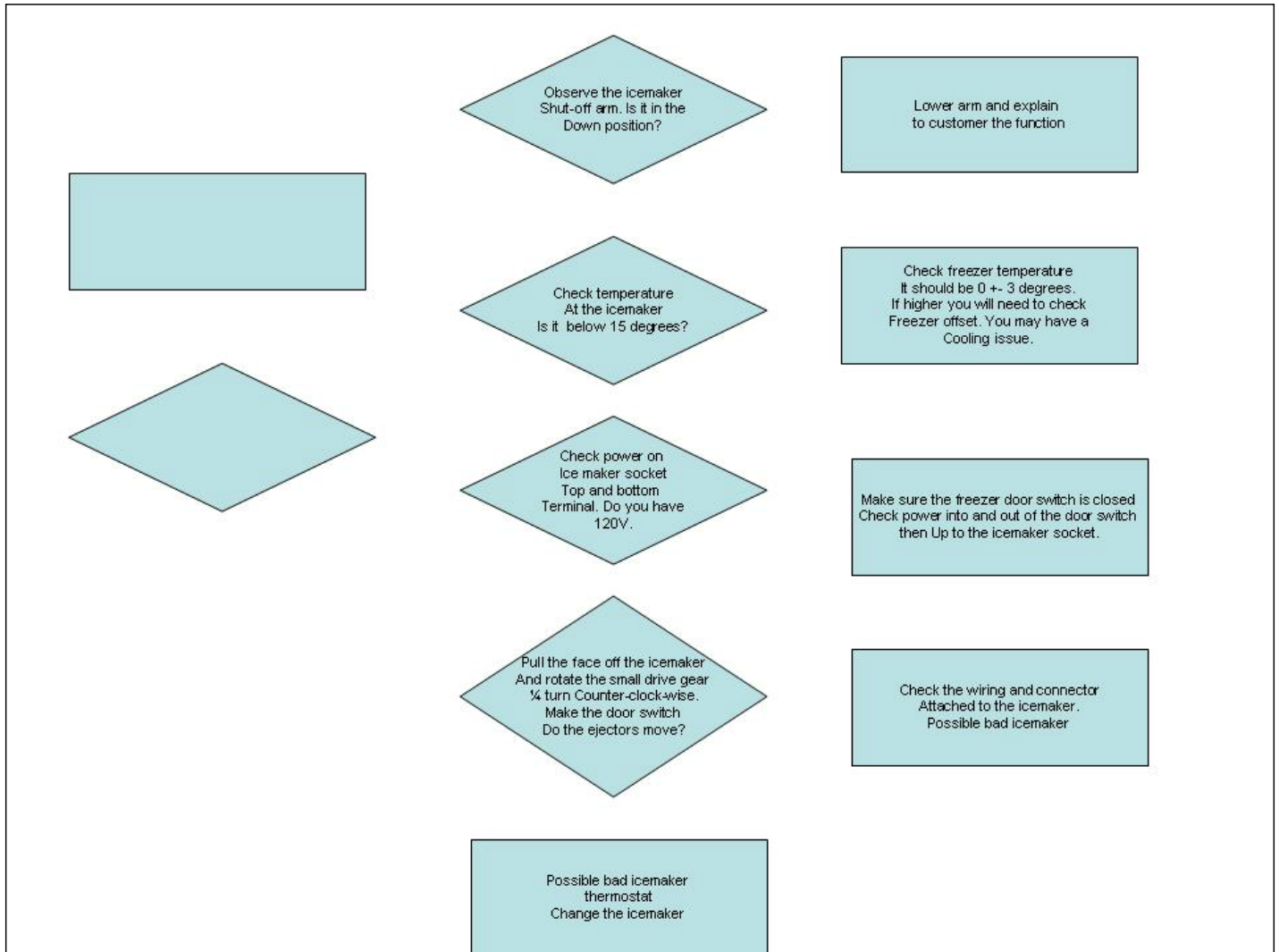
Item	Part No.	Name	Qty	Uom	NOTES
1	M0322202	TIE-WIRE	1	EA	
2	M0211018	Screw, SM	1	EA	
3	M0213105	SCREW-SM	1	EA	
4	M0238616	SCREW-SM	1	EA	
5	K2097169	BRKT DIVIDER R	1	EA	
6	K2097168	BRKT DIVIDER L	1	EA	
7	K2097172	RETURN AIR CHANNEL	1	EA	
8	C9097158WH	COVER EVAP BM 36 *WH*	1	EA	
9	12063301	COVER-FZ FAN V12063301	1	EA	
10	12067201	BLOCK, RH EVAP	1	EA	Not available online / Call for pricing and availability
11	12067301	BLOCK-L EVAP V12067301	1	EA	
12	C8983701	THERMISTOR	1	EA	
13	PK930232	COVER FZ SWITCH	1	EA	
14	A3189348	GASKET-FOAM VA3189348	1	EA	
15	A3030335	GASKET VA3030335	1	EA	NO LONGER AVAILABLE
16	M0232903	Screw, SE	1	EA	NO LONGER AVAILABLE
17	M0211014	SCREW-SM	1	EA	
18	A3189368	GASKET-FOAM VA3189368	1	EA	
19	M0581001	GROMMET-SCREW VM0581001	1	EA	
20	M0232929	SCREW-SE	1	EA	NO LONGER AVAILABLE
21	M0224416	SCREW-SM	1	EA	
22	K2096589	BRACKET, SW MNT - NLA	1	EA	
23	12401402	SWITCH, FAN	1	EA	NO LONGER AVAILABLE
24	PM910178	BOTTOM MOUNT EVAP	1	EA	
25	031006-000	HEAT EXCHANGER ASM BM 36	1	EA	
26	PJ910030	BOTTOM MOUNT EVAP HEATER	1	EA	
27	10428101	CLIP-EVAP HTR V10428101	1	EA	

Item	Part No.	Name	Qty	Uom	NOTES
28	058966-000	THERMOSTAT, SNAP ACTION, 55 OPEN 20 CLOSE	1	EA	
29	PM910168	SHROUD EVAP FAN BM	1	EA	
30	10656001	BRKT-MTR MT/LW V10656001	1	EA	NO LONGER AVAILABLE, Not available online / Call for pricing and availability
31	10656101	BRKT-MTR UP STEEL V1065601Q	1	EA	
32	075134-000	EVAPORATOR FAN KIT	1	EA	TR-0106-SP Bulletin
33	A1017202	GROMMET-FAN VA1017202	1	EA	
34	M0253543	SCREW-TF	1	EA	NO LONGER AVAILABLE, Not available online / Call for pricing and availability
35	12059901	FAN-EVAP/5.250 V12059901	1	EA	
36	M0224416	SCREW-SM	1	EA	
37	12102401	GSKT-EVAP FAN SHRD V12102401	1	EA	
NI	016774-000	SECONDARY DRAIN TROUGH KIT	1	EA	

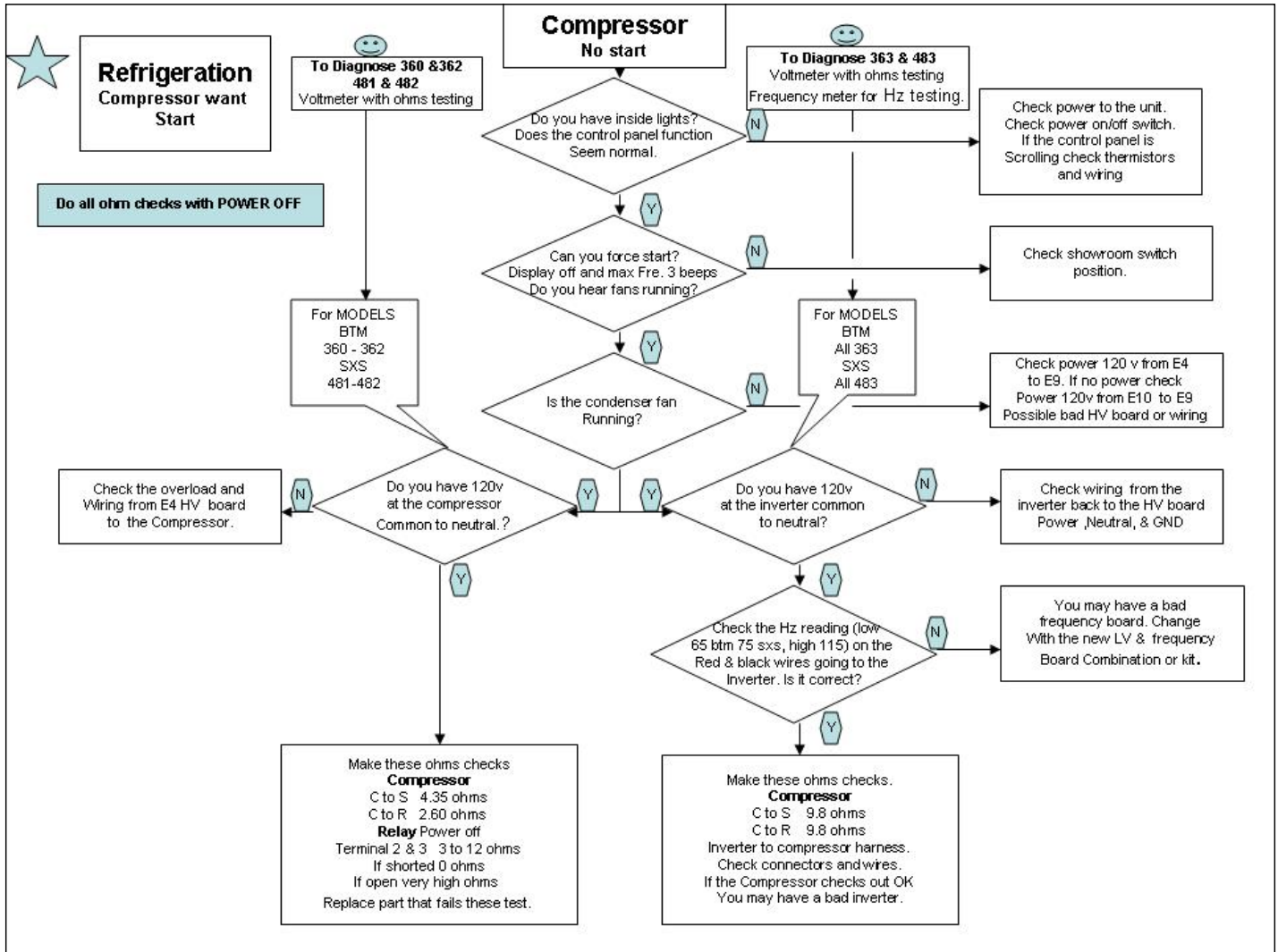
FLOW CHART DEFROST



FLOW CHART ICE MAKER



FLOW CHART NO COMPRESSOR



LADDERS

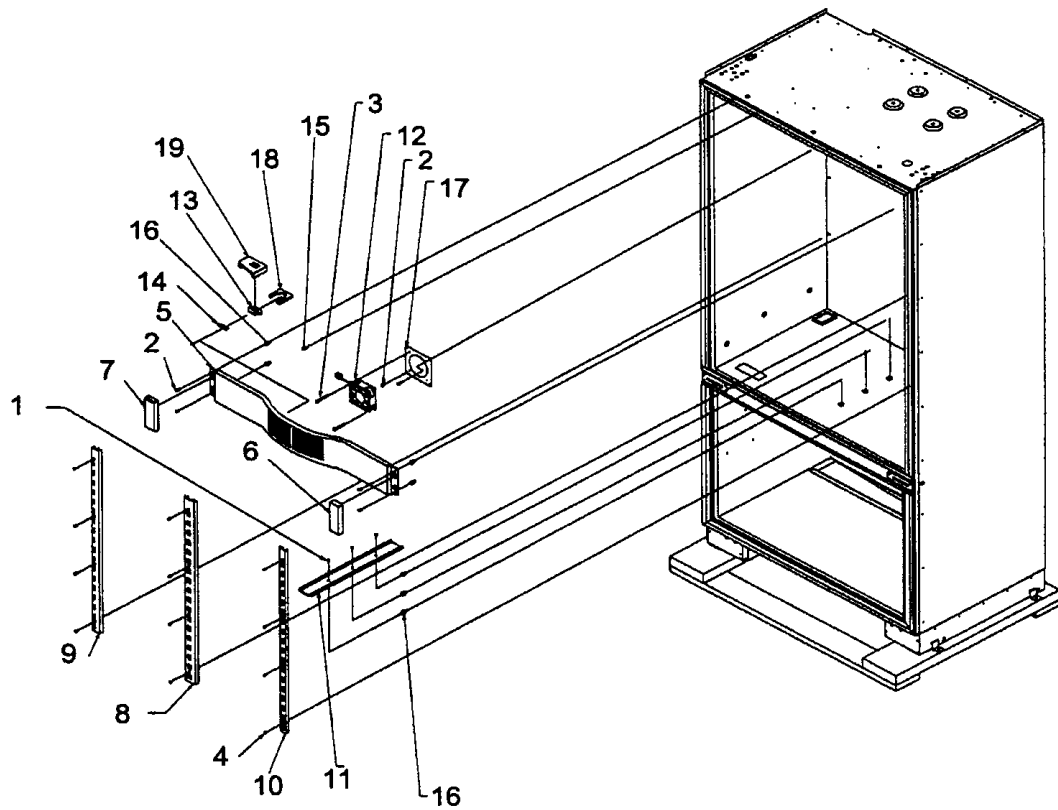
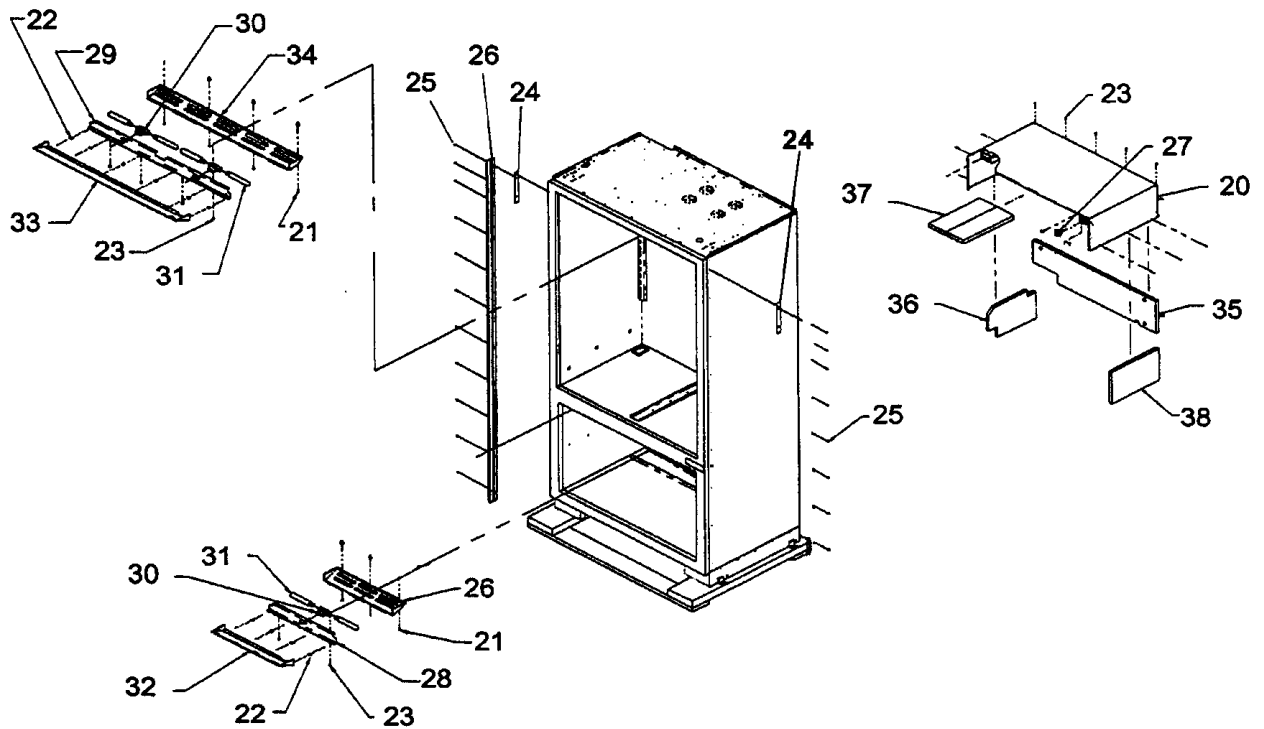


Image 1

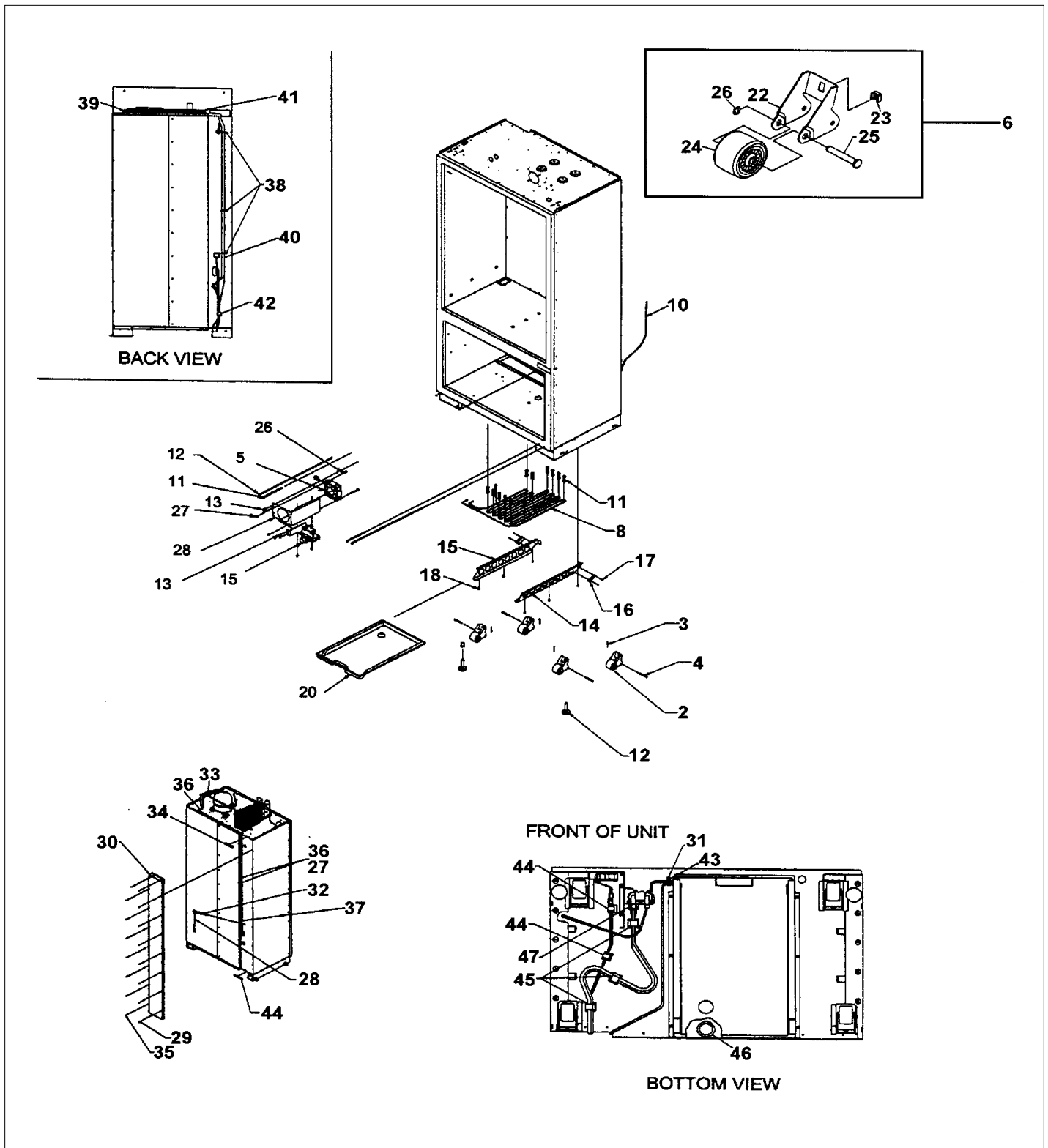
Image 2



Item	Part No.	Name	Qty	Uom	NOTES
1	M0238616	SCREW-SM	1	EA	
2	M0211018	Screw, SM	1	EA	
3	M0218137	SCREW-SM	1	EA	NO LONGER AVAILABLE
4	M0234005	SCREW-TF	1	EA	
5	12067401	FAN COVER	1	EA	
6	12070201	CAP-R FAN COVER V12070201	1	EA	
7	12070202	CAP-L FAN COVER V12070202	1	EA	
8	12071501	LADDER-CTR CANT V12071501	1	EA	
9	12071601	LADDER-L SIDE CANT V12071601	1	EA	NO LONGER AVAILABLE
10	12071701	SUB TO PK020074 - LADDER-R SIDE CANT	1	EA	NO LONGER AVAILABLE
11	12118901	TRACK-DELI DRAWER	1	EA	
12	013112-000	AXIAL FAN	1	EA	
13	C8983701	THERMISTOR	1	EA	
14	12090301	CLIP-S V12090301	1	EA	
15	M0232903	Screw, SE	1	EA	NO LONGER AVAILABLE
16	M0581001	GROMMET-SCREW VM0581001	1	EA	
17	K2096475	FAN MOUNTING PLATE	1	EA	
18	12404901	GASKET-THERM V12404901	1	EA	
19	12406001	INSULATION, THERMAL	1	EA	Not available online / Call for pricing and availability
20	G3096601	MC COVER WELD	1	EA	NO LONGER AVAILABLE, Not available online / Call for pricing and availability
21	M0238846	SCREW-SHLDR	1	EA	
22	M0108201	CLIP-S	1	EA	NO LONGER AVAILABLE
23	M0238616	SCREW-SM	1	EA	
24	12135402	SHIM-CAB TRIM	1	EA	
25	M0220417	SCREW-TC	1	EA	

Item	Part No.	Name	Qty	Uom	NOTES
26	PK930253	LENS LIGHT BM 36" FZ	1	EA	
27	PE950149	SWITCH POWER	1	EA	
28	L2096422	BRKT-FZ LIGHT 12055701	1	EA	NO LONGER AVAILABLE
29	L2096581	SUB TO L2098310 - BRACKET, REF LIGHT	1	EA	NO LONGER AVAILABLE, Not available online / Call for pricing and availability
30	12096901	SOCKET-LIGHT	1	EA	NO LONGER AVAILABLE
31	004528-000	LAMP, 40 WATT BLUE LIGHT	1	EA	
32	12074501	COVER-FZ LIGHT	1	EA	
33	12072001	COVER-REF LIGHT V12072001	1	EA	
34	12072801	LENS, REF LIGHT	1	EA	
35	12074401	INSUL-BACK MC CVR V12074401	1	EA	NO LONGER AVAILABLE, Not available online / Call for pricing and availability
36	12074601	INSUL-L MC CVR V12074601	1	EA	
37	12074701	INSUL-MC CVR V12074701	1	EA	
38	12074702	INSUL-R MC CVR V12074702	1	EA	
NI	PM910069	CABINET TRIM - R	1	EA	
NI	PM910070	SUB TO PK920066 - TRIM CABINET L	1	EA	NO LONGER AVAILABLE
NI	013112-000	AXIAL FAN	1	EA	

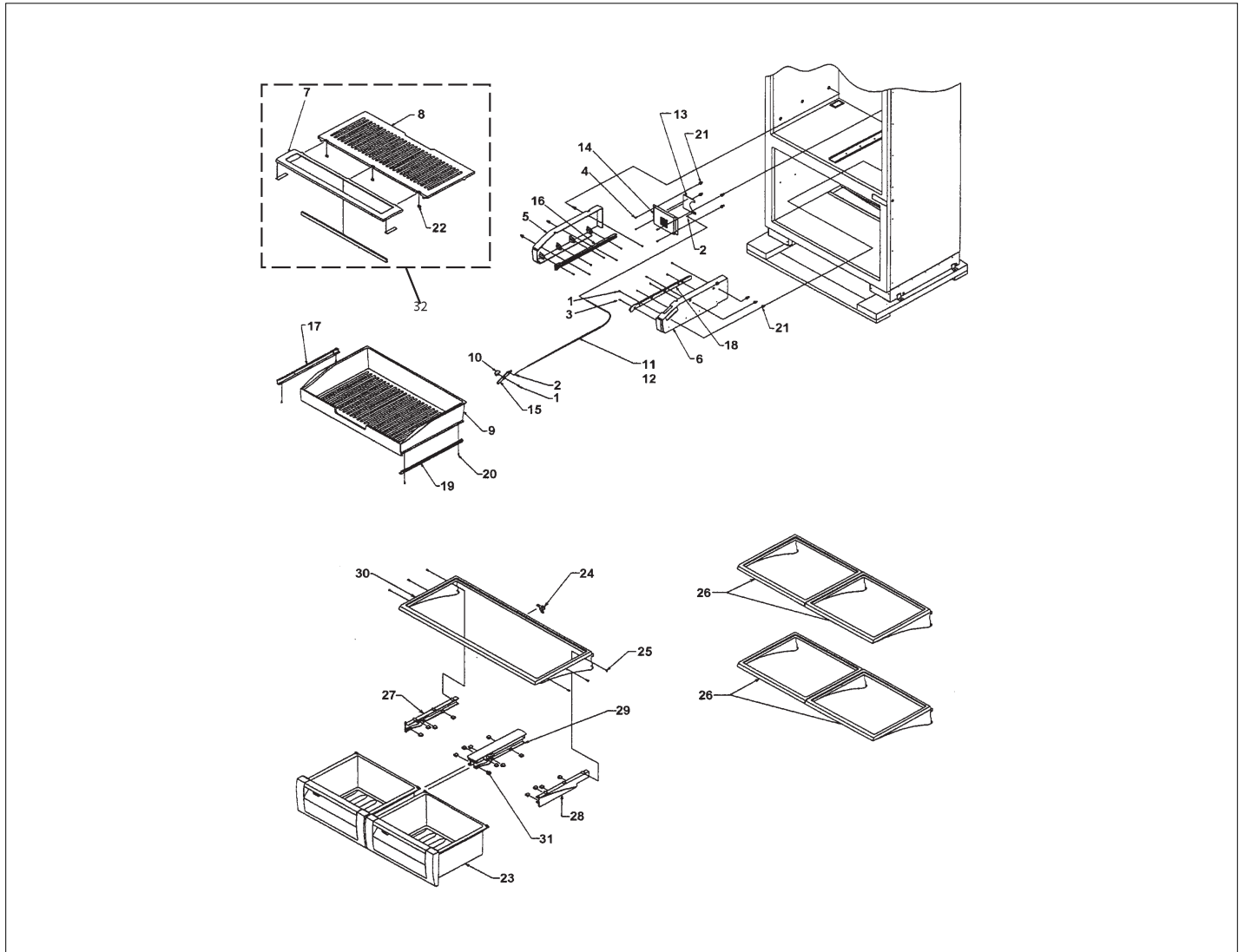
ROLLER ASSY



Item	Part No.	Name	Qty	Uom	NOTES
1	013112-000	AXIAL FAN	1	EA	
2	G5096596	ROLLER BRKT ASSY RPLCS G5096490	1	EA	
3	M1200004	PIN-COTTER	1	EA	
4	M1200203	PIN-CLEVIS	1	EA	
5	M0204339	SCREW-ADJ ROLLER VM0204339	1	EA	
6	10093305	SCREW-ADJ ROLLER V10093305	1	EA	
7	M0220417	SCREW-TC	1	EA	
8	F2096549	SERPENTINE-DRAIN 12131801	1	EA	
9	PA970012	SINGLE WATER VALVE	1	EA	
	G50911842	WATER VALVE/BRACKET SVC KIT	1	EA	
	NOTE	(Units mfg. from 3/12/04 - 1/26/05)		EA	
10	PB020305	PLASTIC TUBING, IM WATERLINE BM	1	EA	
11	12071201	CLIP-DRAIN LOOP	1	EA	
12	12150601	FOOT-LEVELING V12150601	1	EA	
13	M0280801	NUT-HEX VM0280801	1	EA	Not available online / Call for pricing and availability
14	K2096585	RAIL, RH PAN - NLA	1	EA	
15	K2096586	RAIL-LH PAN 12143902 - NLA	1	EA	
16	K2096439	ANGLE-DRAIN PAN 12143801	1	EA	
17	PC040010	POP RIVET (.063/GR -.125) GAMD42-A	1	EA	
18	M0224416	SCREW-SM	1	EA	
19	M0204703	SCREW, MACH	1	EA	Not available online / Call for pricing and availability
20	12071301	PAN, DRAIN	1	EA	
21	K2096590	BRACKET, DC FAN	1	EA	
22	PM910125	ROLLER BRACKET	1	EA	
23	M0286708	NUT-SPEED	1	EA	
24	12034201	ROLLER-CABINET	1	EA	

Item	Part No.	Name	Qty	Uom	NOTES
25	M1252901	CLEVIS GROOVED	1	EA	
26	M0273801	RING-RETAINING	1	EA	
27	M0211018	Screw, SM	1	EA	
28	12115101	CLAMP	1	EA	
29	M0238616	SCREW-SM	1	EA	
30	K2096444	COVER-HT EXCHANGE 12187701	1	EA	
31	M0102303	Clamp, Tube	1	EA	
32	009216-000	FILL TUBE BM	1	EA	
33	PB970188	INSULATION TUBING 45.000 5 SERIES	1	EA	
34	A3189370	GASKET, FOAM	1	EA	
35	PC040010	POP RIVET (.063/GR -.125) GAMD42-A	1	EA	
36	M0102303	Clamp, Tube	1	EA	
37	M0102804	CLAMP-TUBE VM0102804	1	EA	NO LONGER AVAILABLE
	A3223101	INSERT-TUBE VA3223101	1	EA	
38	M0322202	TIE-WIRE	1	EA	
39	A4554806	BUSHING-SNAP VA4554806	1	EA	
40	12405601	HARNESS-CABINET V12405601	1	EA	NO LONGER AVAILABLE
	12405602	HARNESS-CABINET V12405602	1	EA	NO LONGER AVAILABLE
41	059105-000	CORD, PWR, BM, LEAD TERMINALS	1	EA	
42	M0104102	CLIP-CORD RED	1	EA	
43	M0211018	Screw, SM	1	EA	
44	M0104106	CLIP-CORD VM0104106	1	EA	
45	M0104102	CLIP-CORD RED	1	EA	
46	A3076901	PLUG-BUTTON VA3076901	1	EA	Not available online / Call for pricing and availability
47	M0753001	NUT-SLEEVE	1	EA	
NI	009216-000	FILL TUBE BM	1	EA	

SHELVING

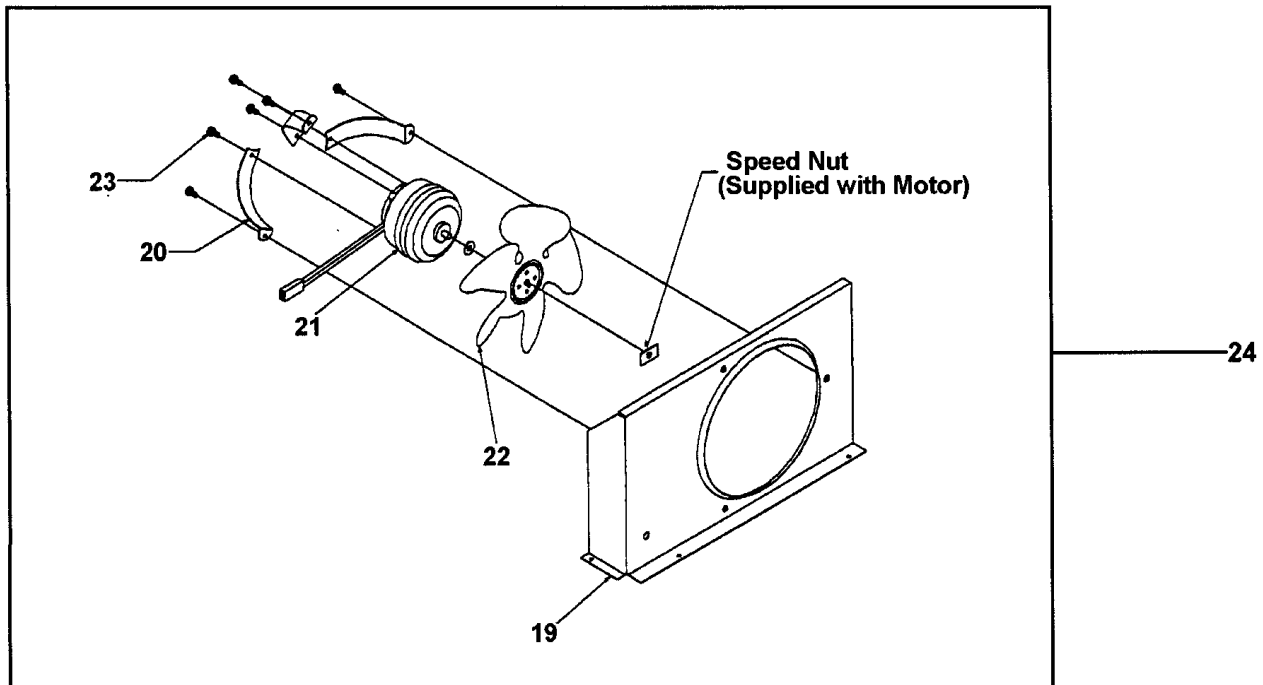
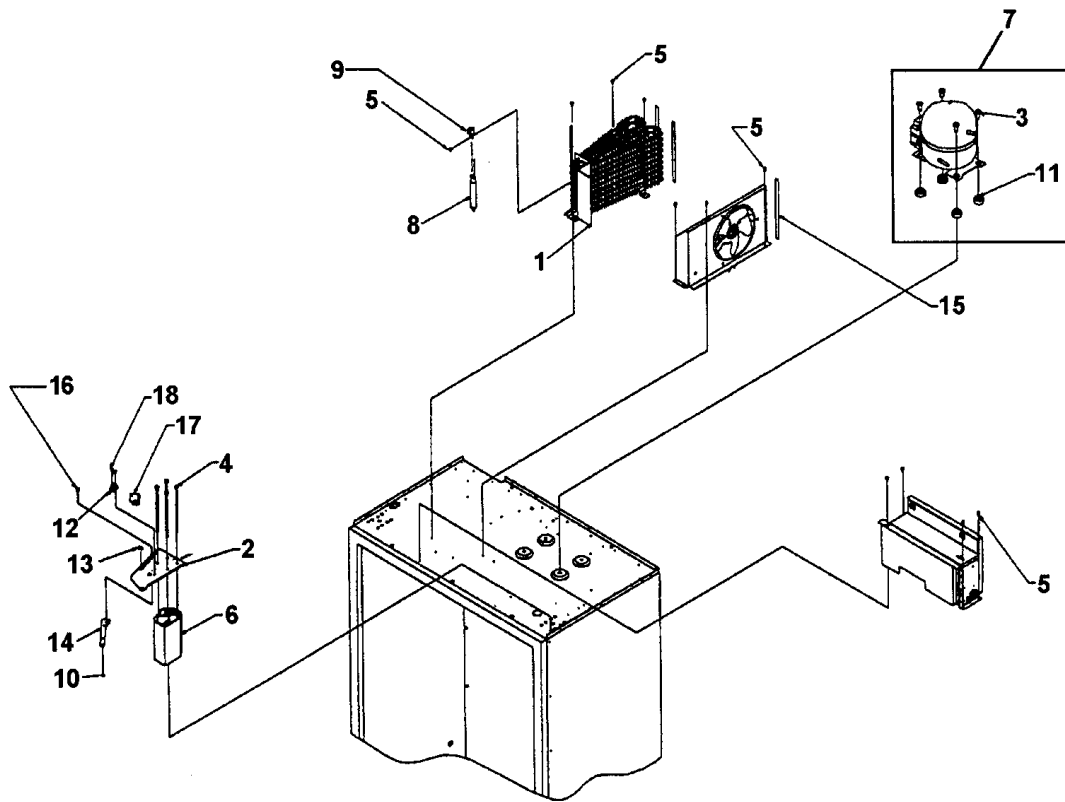


Item	Part No.	Name	Qty	Uom	NOTES
1	M0211018	Screw, SM		EA	
2	M0213105	SCREW-SM		EA	
3	M0215318	SCREW-SM		EA	
4	M0238616	SCREW-SM		EA	
5	V12202601	SUPPORT-L DRAWER # - NLA		Wholesale Price	NO LONGER AVAILABLE
6	V12073003	SUPPORT-R DRAWER #		Wholesale Price	
7	V12223207	DELI LID ASSY 36 BM		Wholesale Price	
	NOTE	(MUST ORDER ITEM 32)		EA	
8	PK930043	DELI TOP ASSEMBLY		EA	
	NOTE	(MUST ORDER ITEM 32)		EA	
9	V12073303	DRAWER-DELI 36" BM		Wholesale Price	
10	V12073401	KNOB-DELI CONT		Wholesale Price	
11	12073501	TUBE-PLASTIC		EA	
12	12073505	TUBE-PLASTIC		EA	
13	V12073601	SLIDE-DELI CONT		EA	NO LONGER AVAILABLE
14	V12073701	COVER-DELI CONT		Wholesale Price	NO LONGER AVAILABLE
15	V12070501	GLIDE-DELI KNOB #		EA	NO LONGER AVAILABLE
16	12073901	GLIDE-L SUPPORT V12073901		EA	
17	12073902	GLIDE-L DRAWER V12073902		EA	
18	12073903	GLIDE-R SUPPORT V12073903		EA	
19	12073904	GLIDE-R DRAWER V12073904		EA	
20	M0224128	SCREW-SM		EA	
21	M0581001	GROMMET-SCREW VM0581001		EA	
22	12486202	CLIP-DELI TOP 36" REPL V12486201		EA	
	NOTE	(MUST ORDER ITEM 32)		EA	
23	V12056902	CRISPER PAN ASSY 36" BM		Wholesale Price	



Item	Part No.	Name	Qty	Uom	NOTES
24	12046701	CRISPER RAIL WELD		EA	
25	M0220417	SCREW-TC		EA	
26	PM910351	SHELF ASM GLASS BM 36 FF		EA	
27	12064501	GLIDE-LEFT CRISPER		EA	
28	12064502	GLIDE-RIGHT CRISPER		EA	
29	V12064601	GLIDE-CTR CRISPER #		Wholesale Price	
30	043203-000	SHELF ASM GLASS AR/BM 36		EA	
31	12064701	PAD-GLIDE V12064701		EA	
32	000368-000	SUB TO 000368-000 - DELI LID ASSY 36 BM		EA	

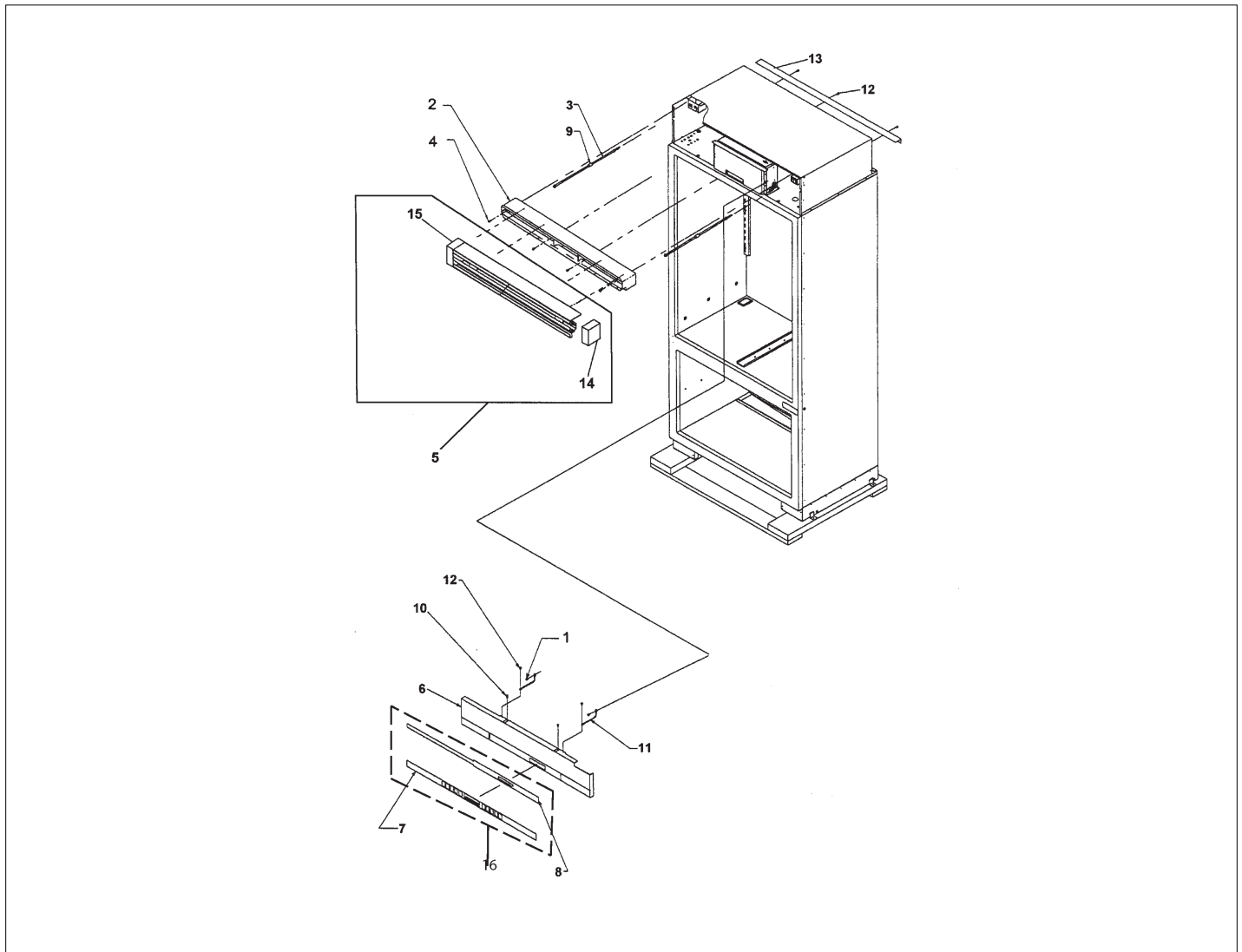
TOP HINGES



Item	Part No.	Name	Qty	Uom	NOTES
1	068353-000	CONDENSER ASM W/COPPER ENDS	1	EA	
2	PC920035	L TOP HINGE ASSY RE V12067805	1	EA	
	PC920034	TOP HINGE ASSY, RH, DFBB, DFSB	1	EA	
3	M0221523	SCREW - SHLDR	1	EA	
4	M0206313	SCREW-MACH	1	EA	
5	M0238616	SCREW-SM	1	EA	
6	12067901	EXTRSN-TOP HINGE V12067901	1	EA	
7	G5097976	Compressor Assembly (Includes Drier)	1	EA	
NI	011666-000	INVERTER,CMPR,ASM, see 2018-01AP before ordering	1	EA	
8	084132-000	DRIER, SVRC	1	EA	
9	10547001	CLIP-DRIER V10547001	1	EA	
10	40370P01	NYLON FLAT WASHER V40370P01	1	EA	
11	10835901	GROMMET RUBBER V10835901	1	EA	
12	G50911866	LIGHT CUT OFF SERVICE KIT	1	EA	
PE950110	003471-000	SWITCH SNAP-ACTION BM 36	1	EA	
13	12348701	BUMPER-DOOR STOP V12348701	1	EA	
14	PC920069	ARM, DOOR STOP, LH DFBB/SB	1	EA	
	PC920067	ARM, DOOR STOP, RH	1	EA	NO LONGER AVAILABLE
15	A3189370	GASKET, FOAM	1	EA	
16	M0220942	SCREW-SHLDR	1	EA	
17	12140701	COVER-SWITCH V12140701	1	EA	
18	M0234005	SCREW-TF	1	EA	
19	K2196428	SHROUD, CONDENSER FAN	1	EA	Not available online / Call for pricing and availability
20	10582501	Bracket, Condenser Motor	1	EA	
21	10522103	MOTOR-PSC	1	EA	

Item	Part No.	Name	Qty	Uom	NOTES
22	B5742603	BLADE-FAN	1	EA	
23	M0223816	SCREW-TR	1	EA	NO LONGER AVAILABLE
24	G5096494	COND. FAN ASSY	1	EA	

UPPER GRILLE



Item	Part No.	Name	Qty	Uom	NOTES
1	M0238846	SCREW-SHLDR		EA	
2	G9096592BK	AIR DUCT WELD ASSY		EA	
3	M0223603	SCREW-LAG		EA	
4	M0238616	SCREW-SM		EA	
5	G32913046	GRILLE ASM BM 36 DES L		EA	
G329692 5	G32913045	GRILLE ASM BM 36 DES R		EA	
6	10942001	COVER, CONTROL PANEL - RIGHT HINGE		EA	Not available online / Call for pricing and availability
1094200 2	PK030459	PANEL CONTROL AR 36 L		EA	
7	N/A	Overlay, Keyboard		EA	
	NOTE	(MUST ORDER ITEM 16)		EA	
8	N/A	Switch, Keyboard		EA	
	NOTE	(MUST ORDER ITEM 16)		EA	
9	12349301	BEARING-SLEEVE V12349301		EA	
10	M0224128	SCREW-SM		EA	
11	12064001	SUPP-CONT PANEL		EA	
12	PC040010	POP RIVET (.063/GR -.125) GAMD42-A		EA	
13	K2096588	SHIELD POWER CORD 12180502		EA	NO LONGER AVAILABLE
14	PM910348	ENP CAP GRILLE R		EA	
15	PM910349	END CAP GRILLE L		EA	
16	PE950174	OVERLAY SWITCH BTM 36		EA	



Appendix A:Pages Index

CONTROL ASSY 1
DOOR ASSY 2
DRAWER 3
EVAPORATOR AREA 4
FLOW CHART DEFROST 5
FLOW CHART ICE MAKER 6
FLOW CHART NO COMPRESSOR 7
LADDERS 8
ROLLER ASSY 9
SHELVING 10
TOP HINGES 11
UPPER GRILLE 12



Appendix B:Parts Index

000368-000	10	12064502	10
002670-000	1	12064701	10
003471-000	11	12067201	4
004528-000	8	12067301	4
005319-000	1	12067401	8
009216-000	9, 9	12067901	11
011666-000	11	12068402	3
013112-000	8, 8, 9	12070201	8
016774-000	4	12070202	8
019244-000	3	12071201	9
023005-000	3	12071301	9
023112-000	3	12071501	8
031006-000	4	12071601	8
042386-000	3	12071701	8
043203-000	10	12072001	8
058966-000	4	12072801	8
059105-000	9	12073501	10
068353-000	11	12073505	10
075134-000	4	12073901	10
084132-000	11	12073902	10
10093305	9	12073903	10
10428101	4	12073904	10
10522103	11	12074401	8
10526701	3	12074501	8
10544502	1	12074601	8
10547001	11	12074701	8
10582501	11	12074702	8
10656001	4	12074703	1
10656101	4	12088001	3
10835901	11	12088101	3
10921220	2	12090301	8
10921223	2	12096901	8
10942001	12	12102401	4
12034201	9	12115101	9
12046701	10	12118901	8
12055401	2	12135402	8
12059901	4	12140701	11
12063301	4	12150601	9
12064001	12	12348701	11
12064501	10	12349301	12
		12401402	4



12404901	8	K2096444	9
12405601	9	K2096475	8
12405602	9	K2096585	9
12406001	8	K2096586	9
12486202	10	K2096588	12
40370P01	3, 11	K2096589	4
A1017202	4	K2096590	9
A3030335	4	K2096646	2
A3076901	9	K2096647	2
A3189348	4	K2096648	2
A3189368	4	K2097168	4
A3189370	9, 11	K2097169	4
A3223101	9	K2097172	4
A4554806	9	K2097709	1
A4554817	1	K2196428	11
B5720304	3	L2096422	8
B5742603	11	L2096581	8
C8983701	4, 8	M0102303	9, 9
C9097158WH	4	M0102804	9
F2096549	9	M0104102	9, 9
G3096601	8	M0104106	1, 9
G32913045	12	M0108201	8
G32913046	12	M0202528	3
G3297161	2	M0204303	2
G50911842	9	M0204339	9
G50911858	3	M0204703	9
G50911866	11	M0206313	11
G5096494	11	M0210443	3
G5096594	3	M0210458	2
G5096595	3	M0211014	4
G5096596	9	M0211018	3, 4, 8, 9, 9, 10
G5096604	3	M0213105	4, 10
G5097163	3	M0215318	10
G5097714	2	M0218137	8
G5097976	11	M0220417	8, 9, 10
G9096592BK	12	M0220942	11
K10911852	3	M0221523	11
K2096429	1	M0223603	12
K2096430	1	M0223816	1, 11
K2096431	1	M0224128	10, 12
K2096439	9	M0224416	3, 4, 4, 9

M0226233	3	PD020189	3
M0232903	4, 8	PD030155	3
M0232929	4	PD920174	3
M0234005	8, 11	PE030092	2
M0238616	1, 4, 8, 8, 9, 10, 11, 12	PE030092PVD	2
M0238846	8, 12	PE030166	2
M0253543	4	PE030166PVD	2
M0272803	3	PE070728	1
M0273801	9	PE950149	8
M0280801	9	PE950174	12
M0286708	9	PE970464	1
M0288120	1	PE970465	1
M0321202	3	PJ910030	4
M0322202	4, 9	PK030459	12
M0581001	4, 8, 10	PK930042	3
M0585504	1	PK930043	10
M0585506	1	PK930056	3
M0753001	9	PK930232	4
M1200004	9	PK930253	8
M1200203	9	PM010634	3
M1252901	9	PM910069	8
M6096628	3	PM910070	8
PA970012	9	PM910094	2
PB020305	9	PM910095	2
PB070289	2	PM910096	2
PB070290	2	PM910099	2
PB970188	9	PM910100	2
PC020228	3	PM910101	2
PC020296	3	PM910108	2
PC040010	1, 9, 9, 12	PM910125	9
PC920034	11	PM910168	4
PC920035	11	PM910170	3
PC920040	3	PM910178	4
PC920043	3	PM910220	3
PC920045	3	PM910348	12
PC920047	3	PM910349	12
PC920049	3	PM910351	10
PC920067	11	V10519806V	3
PC920069	11	V12039701	2
PC920170	3	V12056902	10
PD020013	1	V12064601	10



V12070501	10
V12073003	10
V12073303	10
V12073401	10
V12073601	10
V12073701	10
V12097404	2
V12202601	10
V12223207	10