

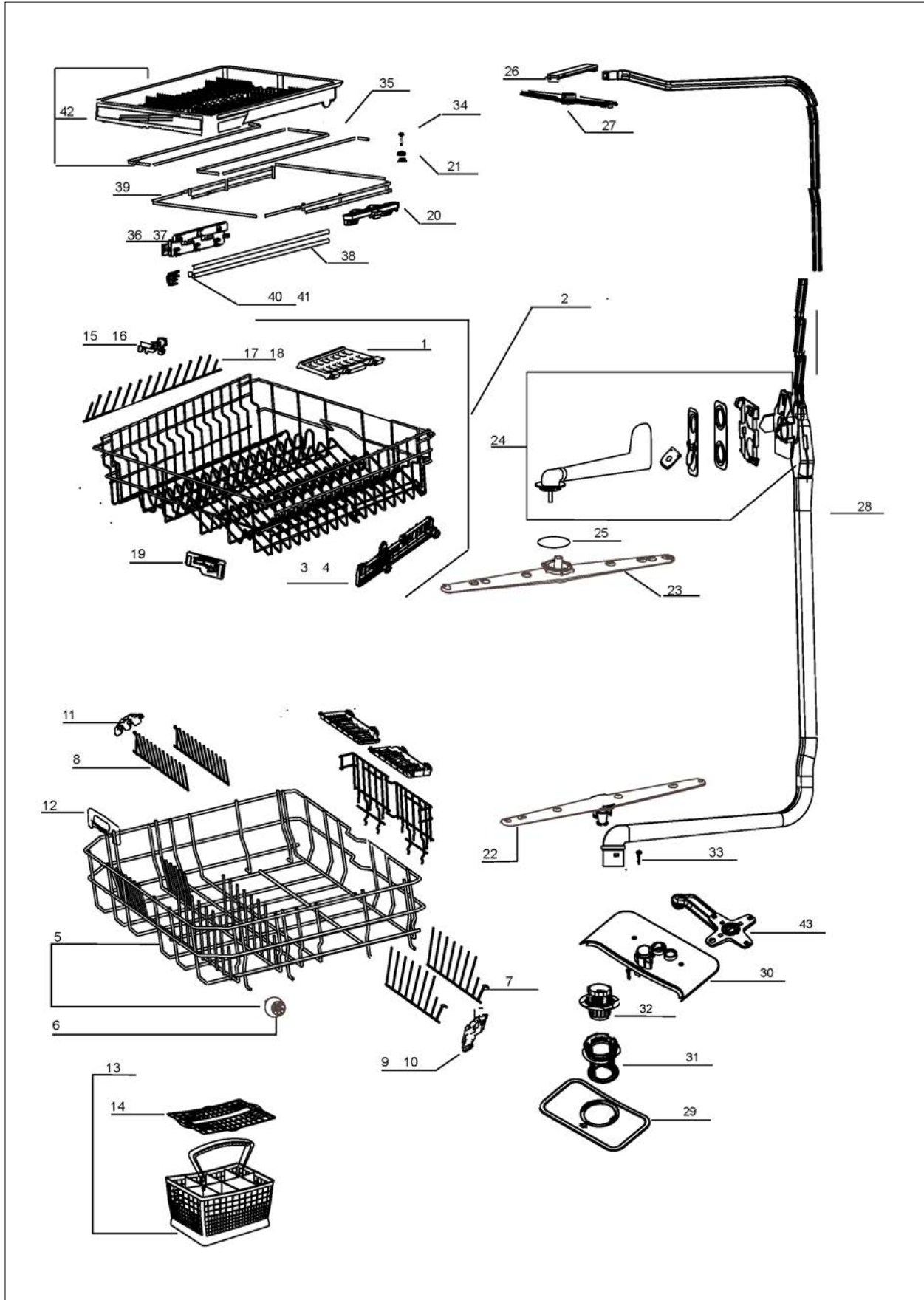
**FDW302**

BI DISHWASHER CUSTOM PANEL

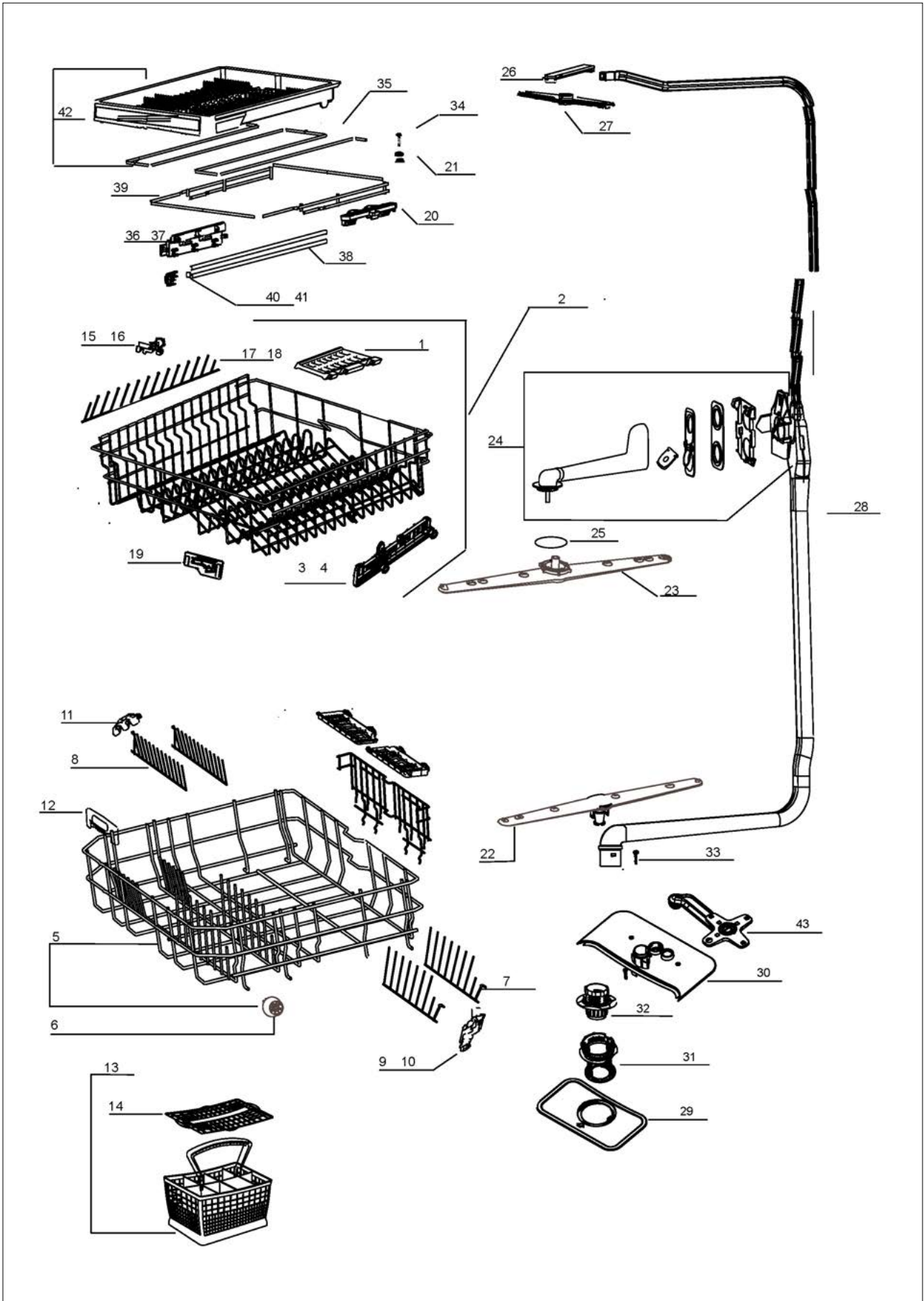
FDW302 Washer System Parts .....	1
FDW302 Door Parts .....	2
FDW302 Chassis Parts .....	3
Appendix A:Pages Index .....	A
Appendix B:Parts Index .....	B



FDW302 Washer System Parts

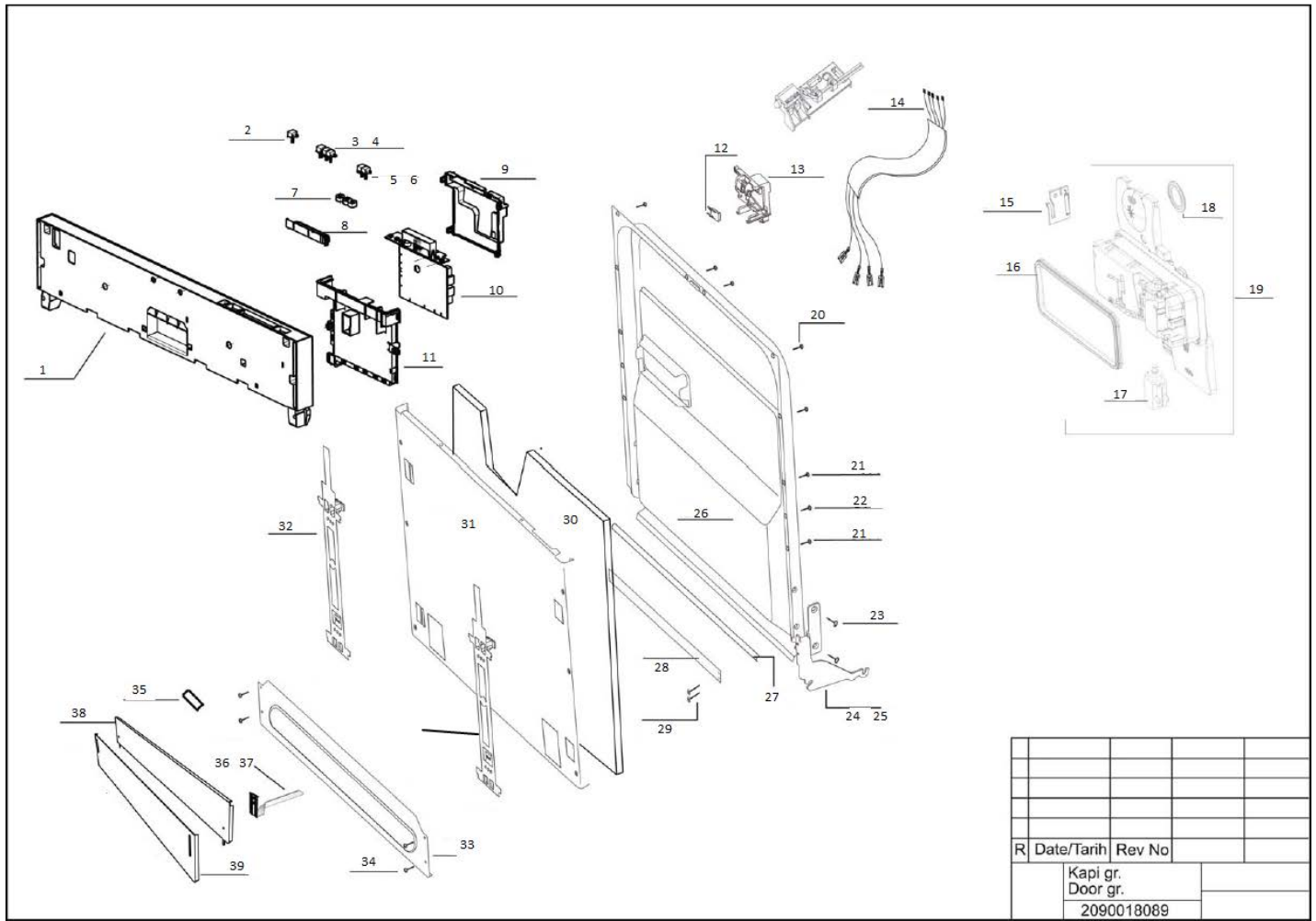


Item	Part No.	Name	Qty	Uom	NOTES
1	039785-000	SHELF GROUP	4	EA	
2	060241-000	UPPER RACK GR. RAL 7037	1	EA	
3	057480-000	UPPER BASKET MECHANISM-LEFT	1	EA	
4	057481-000	UPPER BASKET MECHANISM-RIGHT	1	EA	
5	060184-000	LOWER BASKET GROUP	1	EA	
6	060707-000	GRD LOWER BASKET WHEEL GROUP	8	EA	Not available online / Call for pricing and availability
7	039788-000	PLATE HOLDER-LEFT	2	EA	
8	039789-000	PLATE HOLDER-RIGHT	2	EA	
9	050885-000	FOLDING PART OF BOTTOM BASKET	1	EA	
10	057489-000	FOLDING PART OF BOTTOM BASKET	1	EA	
11	050821-000	LOWER BASKET CLIPS (SHORT)	3	EA	
11	039855-000	LOWER BASKET CLIPS (LONG)	3	EA	
12	050883-000	LOWER BASKET HANDLE	1	EA	
13	057482-000	CUTLERY BASKET GROUP	1	EA	
14	039791-000	CUTLERY BASKET SEPARATOR	2	EA	
15	039861-000	UPPER BASKET CLIPS	11	EA	
16	039783-000	FOLDING PART CLIPS RIGHT	1	EA	
17	059870-000	UPPER BASKET SUPPORT WIRE	1	EA	
18	059871-000	UPPER BASKET SUPPORT WIRE	1	EA	
19	057494-000	GRD FOLDING PART	1	EA	
20	050816-000	UPPER TRAY RAIL HOLDER	2	EA	
21	050817-000	CONNECTING WASHER	4	EA	
22	060164-000	LOWER SPRAY ARM GROUP	1	EA	
23	060165-000	UPPER SPRAY ARM GROUP	1	EA	
24	039862-000	UPPER SPRAY ARM FEED PIPE	1	EA	
25	039870-000	GASKET	1	EA	



Item	Part No.	Name	Qty	Uom	NOTES
26	039847-000	CEILING SPRAY ARM FEED PIPE	1	EA	
27	039841-000	CEILING SPRAY GROUP	1	EA	
28	039840-000	WATER SUPPLY TUBE GROUP	1	EA	
29	060198-000	METAL FILTER GROUP	1	EA	
30	060199-000	HALF FILTER SUPPORT ZONE	1	EA	
31	060196-000	MICRO FILTER GROUP_2	1	EA	
32	057474-000	COARSE FILTER	1	EA	
33	039945-000	SCREW	3	EA	
34	039880-000	SCREW	5	EA	
35	050809-000	UPPER TRAY FRAME WIRE	1	EA	
36	050811-000	UPPER TRAY DRAWER HOLDER-LEFT	1	EA	
37	050812-000	UPPER TRAY DRAWER HOLDER-RIGHT	1	EA	
38	050815-000	CEILING RAIL	2	EA	
39	050810-000	UPPER TRAY HOLDER	1	EA	
40	060177-000	UPPER TRAY RAIL CAP-RIGHT RAL 7037	1	EA	
41	060178-000	UPPER TRAY RAIL CAP-LEFT RAL7037	1	EA	
42	060176-000	UPPER TRAY GROUP	1	EA	
43	060195-000	ZONE WASH GROUP	1	EA	

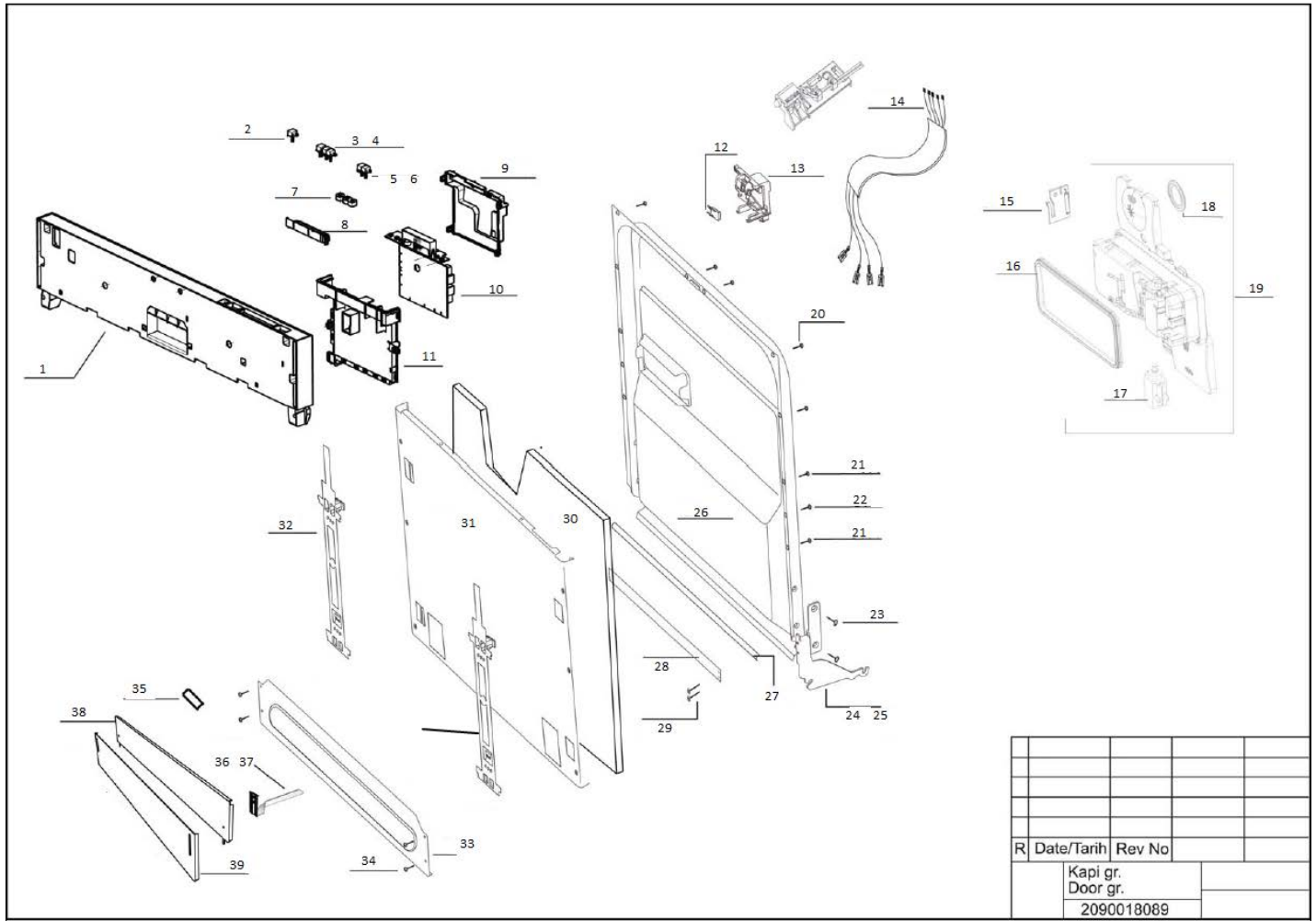
FDW302 Door Parts



R	Date/Tarih	Rev No	
	Kapi gr. Door gr.		
	2090018089		



Item	Part No.	Name	Qty	Uom	NOTES
1	060163-000	PANEL GR FDW302	1	EA	
2	060156-000	ON-OFF BUTTON BLACK	1	EA	
3	060153-000	F1-F2 FUNCTION BUTTON BLACK	2	EA	
4	060155-000	PROGRAME DELAY BUTTON BLACK	1	EA	
5	060154-000	F3-F4 FUNCTION BUTTON BLACK	2	EA	
6	060180-000	DELAY BUTTON BLACK	1	EA	
7	060192-000	E5-E6 BUTTON GASKET	2	EA	
8	060191-000	E5-E6 BOTTON HOLDER PART	1	EA	
9	060190-000	E5-E6 CARD HOLDER BACK PART	1	EA	
10	060161-000	ELECTRONIC CARD E5	1	EA	
11	060189-000	E5-E6 CARD HOLDER FRONT PART	1	EA	
12	059878-000	NEW DOOR SWITCH	1	EA	
13	060170-000	DOOR LOCK GROUP	1	EA	
14	060763-000	D1 CABLE HARNESS (INCLUDES INDICATOR LIGHT)	1	EA	
15	050831-000	RINSE AID GLASS	1	EA	
16	039714-000	DTERGENT DISPENSER GASKET	1	EA	
17	039882-000	THERMOACTUATOR D3731 D3421	1	EA	
18	039713-000	RINSE AID GASKET	1	EA	
19	039715-000	DETERGENT DISPENSER GROUP	1	EA	
20	039914-000	SCREW	6	EA	
21	060711-000	SCREW	4	EA	
22	039912-000	INNER DOOR STOPER	2	EA	
23	039877-000	SCREW	4	EA	
24	039739-000	HINGE ARM RIGHT	1	EA	
25	039738-000	HINGE ARM LEFT	1	EA	
26	039720-000	INNER DOOR GR	1	EA	
27	039908-000	DOOR SEALING GASKET	1	EA	
28	039935-000	HINGE ARM SUPPORT	1	EA	

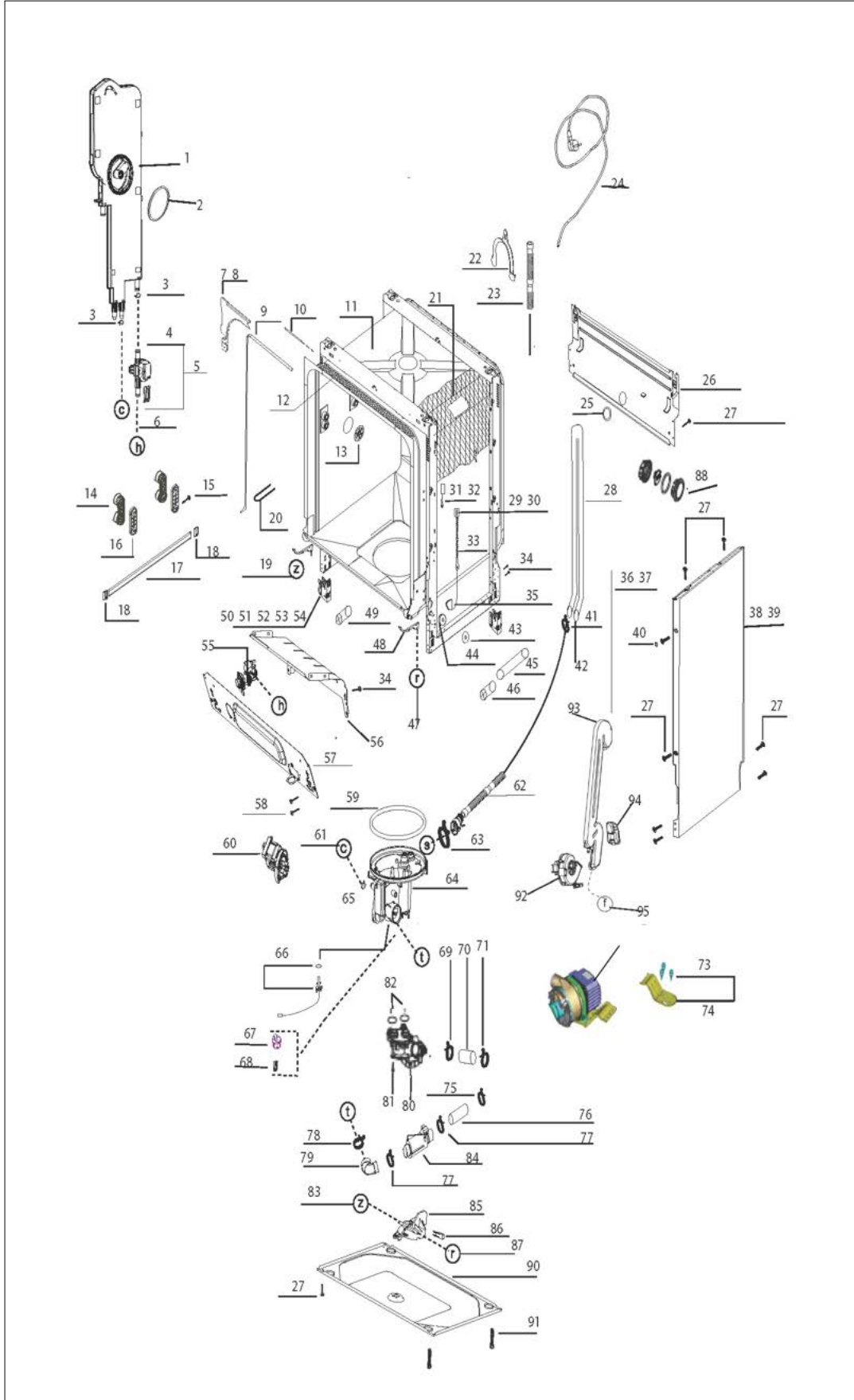


R	Date/Tarih	Rev No	
	Kapi gr.		
	Door gr.		
	2090018089		

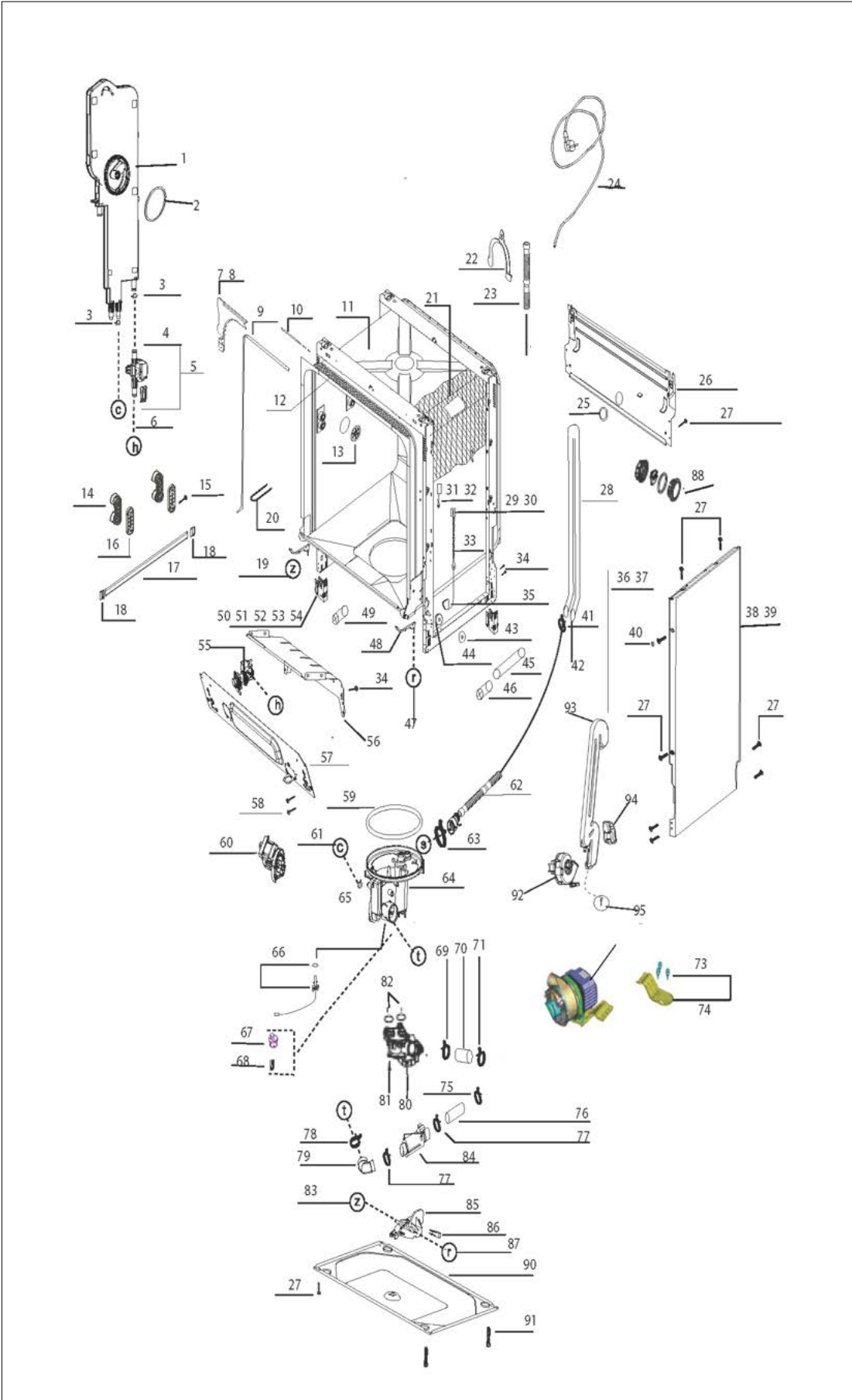


Item	Part No.	Name	Qty	Uom	NOTES
29	039917-000	BOLT M4X8 D3731 D3421	4	EA	
30	039903-000	DOOR INSULATION	1	EA	
31	059867-000	OUTER DOOR	1	EA	Not available online / Call for pricing and availability
32	060709-000	BOARD CONNECTION PART - LEFT	2	EA	Not available online / Call for pricing and availability
33	039773-000	KICK PLATE SHEET	1	EA	
34	039876-000	SCREW	4	EA	
35	039928-000	KICK PLATE ADJUSTING LOCKET	1	EA	
36	039924-000	PLINTH ADJUSTMENT SHEET LEFT	1	EA	
37	039925-000	PLINTH ADJUSTMENT SHEET RIGHT	1	EA	
38	039926-000	KICK PLATE SHEET	1	EA	
39	060210-000	KICK PLATE SHEET	1	EA	
NI	063681-000	INSULATION MATERIAL	1	EA	
Not Shown	NOTE	GOES BEHIND KICKPLATE		EA	

FDW302 Chassis Parts

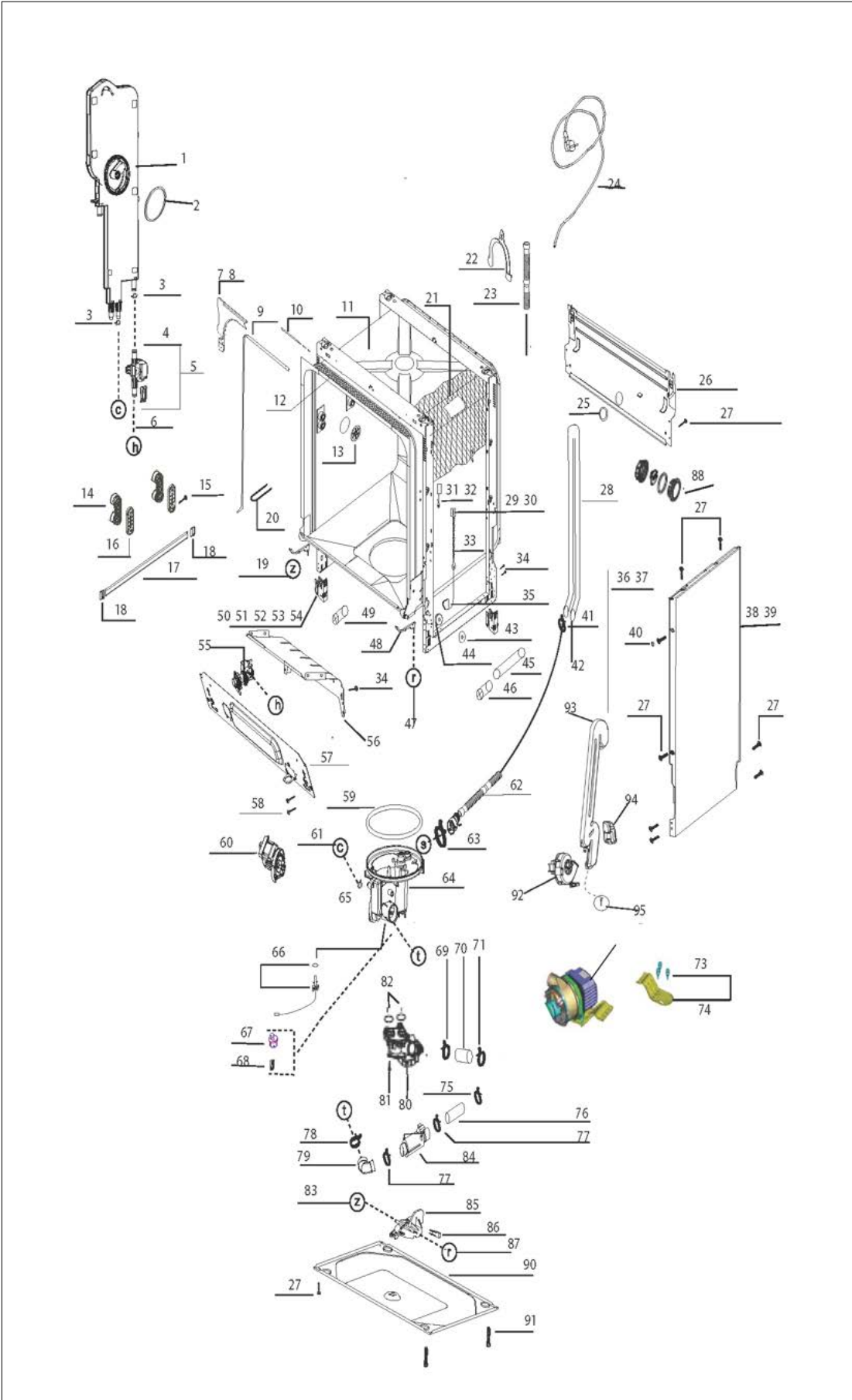


Item	Part No.	Name	Qty	Uom	NOTES
1	061486-000	REGENERATION UNIT	1	EA	
2	039910-000	AIR FUNNEL GASKET	1	EA	
Comments for Part Num. 039910-000  bradleysapplianceservice@shaw.ca on Feb 28, 2017 SUBS TO: 039910-000 AIR FUNNEL GASKET					
3	039958-000	HOSE CLAMP (Ø 15.88)	2	EA	
4	039866-000	HOSE BETWEEN COUNTER AND REGENERATION U.	1	EA	
5	050887-000	COUNTER GROUP	1	EA	
6	039867-000	HOSE (VALVE-COUNTER)	1	EA	
7	039767-000	TOP CORNER BRACKET - LEFT	1	EA	
8	039768-000	TOP CORNER BRACKET - RIGHT	1	EA	
9	039769-000	DOOR SEALING GASKET	1	EA	
10	060202-000	NOISE ISOLATION FOR TUB	1	EA	
11	060762-000	STRUCTURE GROUP	1	EA	
12	039923-000	DOOR LOCK COTTON FLEECE	1	EA	
13	050778-000	air funnel cup	1	EA	
14	050780-000	GRD BALL BEARING ROLLER GROUP	4	EA	
15	050781-000	SCREW	4	EA	
16	039777-000	RAIL WHEEL HOLDER	4	EA	
17	039887-000	RAIL	2	EA	
18	050782-000	rail cap front back	2	EA	
19	039873-000	HOSE (OVERFLOW SIPHON TO OVERFLOW FLOAT)	1	EA	
20	039901-000	DOOR LOCK HOOK	1	EA	
21	050777-000	INNER TUB ISOLATION (TUB INSULATION)	1	EA	
22	040591-000	Drain Hose Holder	1	EA	
23	039725-000	DRAIN HOSE	1	EA	



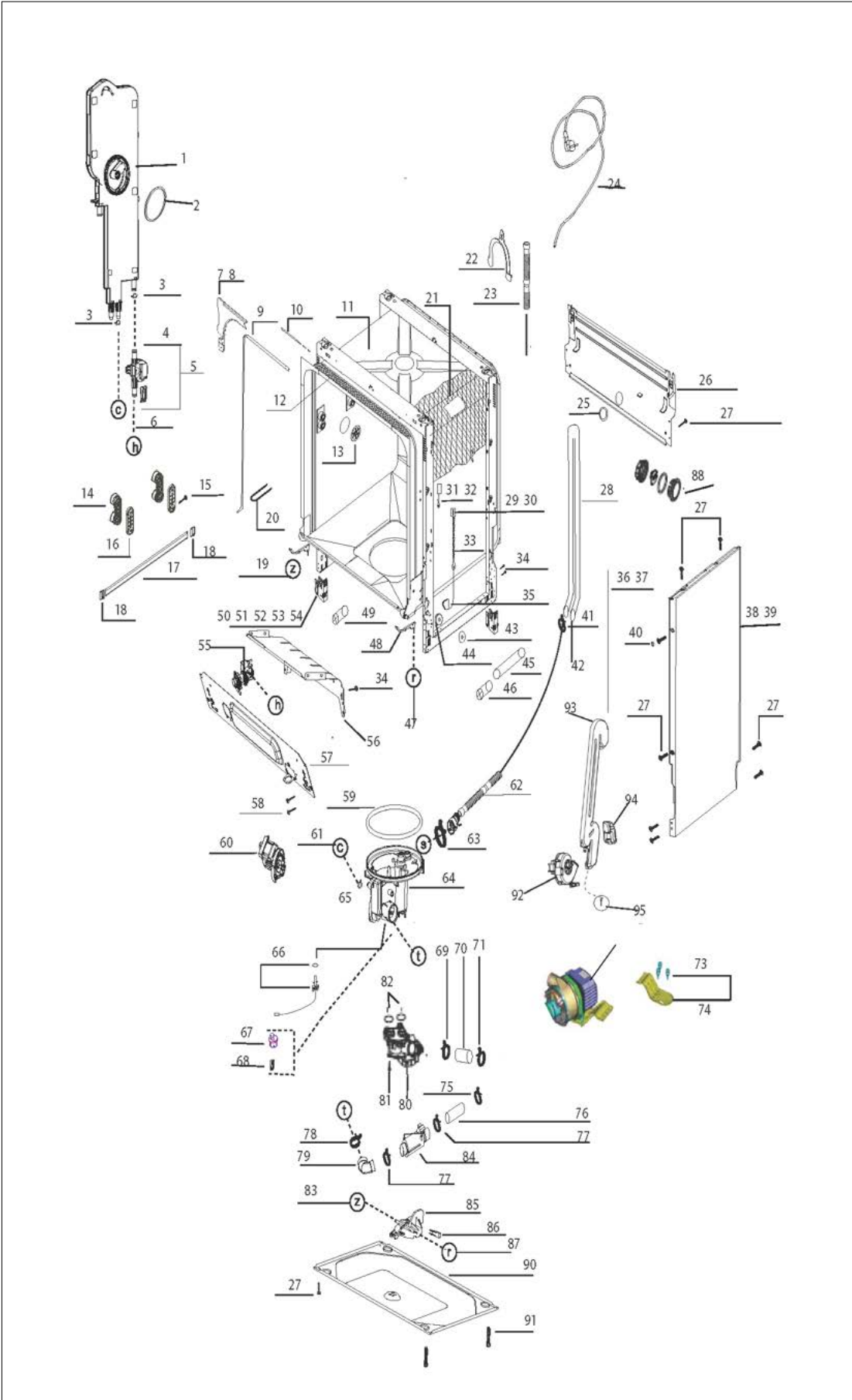


Item	Part No.	Name	Qty	Uom	NOTES
Comments for Part Num. 039725-000					
profixappliances@gmail.com on Dec 12, 2017					
Per Bradleysappliance-service: IF LONG EXTERIOR DRAIN HOSE IS REQUIRED - FROM BACK OF DISHWASHER TO DRAIN OUTLET - ORDER PART NUMBER: 039726-000 DRAIN HOSE					
IF SUMP TO BACK OF UNIT DRAIN HOSE IS REQUIRED - INSIDE OF UNIT - ORDER PART NUMBER: 039725-000 SUMP DRAIN HOSE (16 INCHES LONG)					
24	039949-000	MAIN POWER PLUG 120V USA	1	EA	
25	039918-000	DRAIN HOSE HOLDER 7037	1	EA	
26	050891-000	REAR BOTTOM SUPPORT	1	EA	
27	039876-000	SCREW	11	EA	
28	039792-000	COLUMN ASSY	1	EA	
29	057470-000	DUAL SPRING HOLDER TOP PART	2	EA	
30	057471-000	DUAL SPRING HOLDER LOWER PART	2	EA	
31	039763-000	DOOR ADJUSTMENT GROUP-LEFT	1	EA	
32	059866-000	DOOR ADJUSTMENT GROUP - RIGHT	1	EA	
33	057495-000	HINGE SPRING	2	EA	
34	039917-000	BOLT M4X8 D3731 D3421	6	EA	
35	039894-000	HINGE ROPE GROUP	2	EA	
36	057529-000	NOISE ISOLATION	1	EA	
Not Shown	NOTE	SLIDES ON TRIM OF TUB		EA	
37	039760-000	NOISE ISOLATION	1	EA	
Not Shown	NOTE	STICKS ON SIDE OF UNIT		EA	
38	057516-000	SIDE PANEL-LEFT	1	EA	
39	057517-000	SIDE PANEL-RIGHT	1	EA	
40	060203-000	SCREW CAP SIDE WALLS	4	EA	
41	039952-000	HOSE CLAMP (Ø 28_7)	1	EA	
42	039725-000	DRAIN HOSE	1	EA	

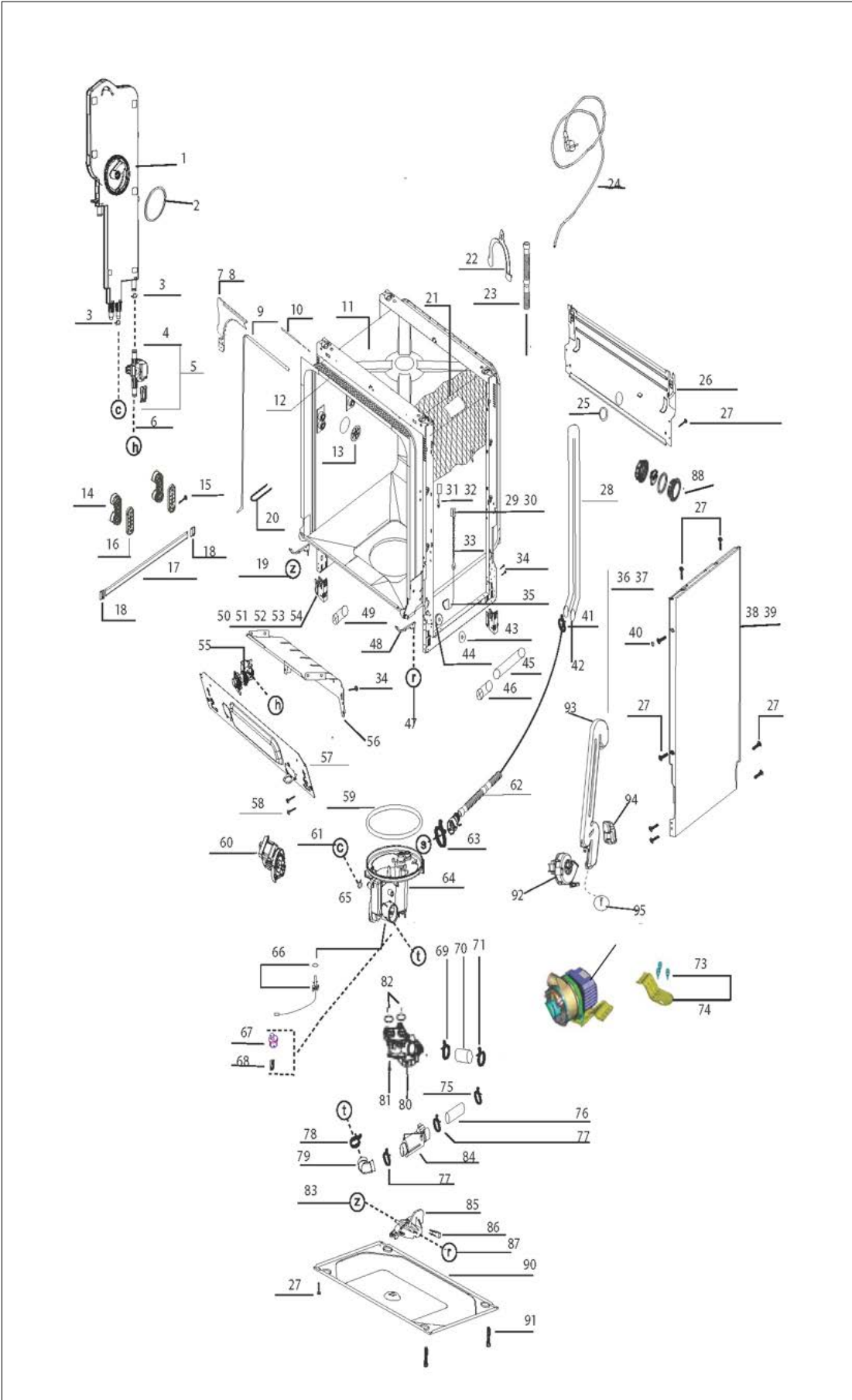




Item	Part No.	Name	Qty	Uom	NOTES
Comments for Part Num. 039725-000					
profixappliances@gmail.com on Dec 12, 2017					
Per Bradleysappliance-service: IF LONG EXTERIOR DRAIN HOSE IS REQUIRED - FROM BACK OF DISHWASHER TO DRAIN OUTLET - ORDER PART NUMBER: 039726-000 DRAIN HOSE					
IF SUMP TO BACK OF UNIT DRAIN HOSE IS REQUIRED - INSIDE OF UNIT - ORDER PART NUMBER: 039725-000 SUMP DRAIN HOSE (16 INCHES LONG)					
43	039883-000	WASHER	2	EA	
44	039893-000	HINGE WHEEL	2	EA	
45	039938-000	REAR ADJUSTABLE DOOR CONNECTION PART	1	EA	
46	039937-000	REAR ADJUSTABLE FOOT CONNECTION PART	1	EA	
47	039872-000	HOSE	1	EA	
48	039921-000	OVERFLOW SIPHON	1	EA	
49	039765-000	DOOR ADJUSTING ADAPTOR	1	EA	
50	039898-000	FOOT SUPPORT PART	4	EA	
51	050779-000	FOOT GROUP-ADJUSTABLE-RIGHT-FRONT	1	EA	
52	039941-000	FOOT GROUP-ADJUSTABLE-RIGHT-BACK	1	EA	
53	039942-000	FOOT GROUP-ADJUSTABLE-LEFT-FRONT	1	EA	
54	039943-000	Rear feet Adjustable LEFT BACK	1	EA	
55	039756-000	WATER INLET VALVE	1	EA	
56	039885-000	LOWER SUPPORT - FRONT	1	EA	
57	039773-000	KICK PLATE SHEET	1	EA	
58	039761-000	SCREW	4	EA	
59	039722-000	SUMP GASKET	1	EA	
60	039758-000	DRAIN PUMP GROUP	1	EA	
61	039874-000	HOSE (REGENERATION TO SUMP)	1	EA	
62	039726-000	DRAIN HOSE	1	EA	



Item	Part No.	Name	Qty	Uom	NOTES
Comments for Part Num. 039726-000  bradleysapplianceservice@shaw.ca on Jul 15, 2016 IF LONG EXTERIOR DRAIN HOSE IS REQUIRED - FROM BACK OF DISHWASHER TO DRAIN OUTLET - ORDER PART NUMBER: 039726-000 DRAIN HOSE IF SUMP TO BACK OF UNIT DRAIN HOSE IS REQUIRED - INSIDE OF UNIT - ORDER PART NUMBER: 039725-000 SUMP DRAIN HOSE (16 INCHES LONG) Reply by profixappliances@gmail.com on Dec 12, 2017 Thank you for the clarification!					
63	039955-000	HOSE CLAMP	1	EA	
64	062826-000	SUMP-VDW300	1	EA	
65	060723-000	HOSE CLAMP (Ø 16.4)	1	EA	
66	039933-000	NTC GROUP	1	EA	
67	039900-000	TURBIDITY FRAME	1	EA	
68	039950-000	TURBIDITY CARD AND LED HOLDER GR	1	EA	
69	039953-000	HOSE CLAMP.(+ 34_1)	1	EA	
70	050798-000	HOSE	1	EA	
71	061501-000	SUMP CLAMP SCREW TYPE	1	EA	
72	060187-000	QUADRO CIRCULATION MOTOR GROUP	1	EA	
73	060182-000	CIRCULATION PUMP DAMPENING RUBBER	3	EA	
74	060181-000	MOTOR BRACKET GROUP	1	EA	
75	050799-000	HOSE CLAMP	1	EA	
76	060188-000	PUMP INLET HOSE	1	EA	
77	063289-000	HOSE CLAMPS WITH SCREW	2	EA	
78	057527-000	HOSE CLAMP	1	EA	
79	039723-000	HOSE BETWEEN SUMP AND HEATER	1	EA	
80	060194-000	6 WAY VALVE GROUP	1	EA	
81	039945-000	SCREW	1	EA	
82	039883-000	WASHER	2	EA	
83	039873-000	HOSE (OVERFLOW SIPHON TO OVERFLOW FLOAT)	1	EA	
84	060167-000	FLOW THROUGH HEATER	1	EA	
85	039934-000	OVERFLOW FLOAT GROUP	1	EA	



Item	Part No.	Name	Qty	Uom	NOTES
86	039913-000	MICRO SWITCH	1	EA	
87	039872-000	HOSE	1	EA	
88	060174-000	INNER ILLUMINATION CARD HOLDER GR	1	EA	
90	039886-000	BOTTOM TRAY	1	EA	
91	039889-000	FOOT GROUP-ADJUSTABLE	4	EA	
92	050179-000	FAN MOTOR GROUP	1	EA	Not available online / Call for pricing and availability
93	050784-000	FAN SUCTION PIPE	1	EA	
94	050796-000	FAN OUTLET PIPE	1	EA	
95	050797-000	HOSE BETWEEN FAN AND SUMP	1	EA	
NI	057530-000	ACCESSORIES	1	EA	
Not Shown	NOTE	INSTALL HARDWARE		EA	
NI	071566-000	MOUNTING BRACKET KIT	1	EA	
Not Shown	NOTE	TO SECURE UNIT TO CABINET		EA	
NI	061473-000	AMERICA BOBBIN TERFERENCE FILTER	1	EA	



Appendix A:Pages Index

FDW302 Chassis Parts .....	3
FDW302 Door Parts .....	2
FDW302 Washer System Parts .....	1



Appendix B:Parts Index

039713-000	2	039877-000	2
039714-000	2	039880-000	1
039715-000	2	039882-000	2
039720-000	2	039883-000	3, 3
039722-000	3	039885-000	3
039723-000	3	039886-000	3
039725-000	3, 3	039887-000	3
039726-000	3	039889-000	3
039738-000	2	039893-000	3
039739-000	2	039894-000	3
039756-000	3	039898-000	3
039758-000	3	039900-000	3
039760-000	3	039901-000	3
039761-000	3	039903-000	2
039763-000	3	039908-000	2
039765-000	3	039910-000	3
039767-000	3	039912-000	2
039768-000	3	039913-000	3
039769-000	3	039914-000	2
039773-000	2, 3	039917-000	2, 3
039777-000	3	039918-000	3
039783-000	1	039921-000	3
039785-000	1	039923-000	3
039788-000	1	039924-000	2
039789-000	1	039925-000	2
039791-000	1	039926-000	2
039792-000	3	039928-000	2
039840-000	1	039933-000	3
039841-000	1	039934-000	3
039847-000	1	039935-000	2
039855-000	1	039937-000	3
039861-000	1	039938-000	3
039862-000	1	039941-000	3
039866-000	3	039942-000	3
039867-000	3	039943-000	3
039870-000	1	039945-000	1, 3
039872-000	3, 3	039949-000	3
039873-000	3, 3	039950-000	3
039874-000	3	039952-000	3
039876-000	2, 3	039953-000	3
		039955-000	3



039958-000	3	059866-000	3
040591-000	3	059867-000	2
050179-000	3	059870-000	1
050777-000	3	059871-000	1
050778-000	3	059878-000	2
050779-000	3	060153-000	2
050780-000	3	060154-000	2
050781-000	3	060155-000	2
050782-000	3	060156-000	2
050784-000	3	060161-000	2
050796-000	3	060163-000	2
050797-000	3	060164-000	1
050798-000	3	060165-000	1
050799-000	3	060167-000	3
050809-000	1	060170-000	2
050810-000	1	060174-000	3
050811-000	1	060176-000	1
050812-000	1	060177-000	1
050815-000	1	060178-000	1
050816-000	1	060180-000	2
050817-000	1	060181-000	3
050821-000	1	060182-000	3
050831-000	2	060184-000	1
050883-000	1	060187-000	3
050885-000	1	060188-000	3
050887-000	3	060189-000	2
050891-000	3	060190-000	2
057470-000	3	060191-000	2
057471-000	3	060192-000	2
057474-000	1	060194-000	3
057480-000	1	060195-000	1
057481-000	1	060196-000	1
057482-000	1	060198-000	1
057489-000	1	060199-000	1
057494-000	1	060202-000	3
057495-000	3	060203-000	3
057516-000	3	060210-000	2
057517-000	3	060241-000	1
057527-000	3	060707-000	1
057529-000	3	060709-000	2
057530-000	3	060711-000	2





060723-000	.....	3
060762-000	.....	3
060763-000	.....	2
061473-000	.....	3
061486-000	.....	3
061501-000	.....	3
062826-000	.....	3
063289-000	.....	3
063681-000	.....	2
071566-000	.....	3