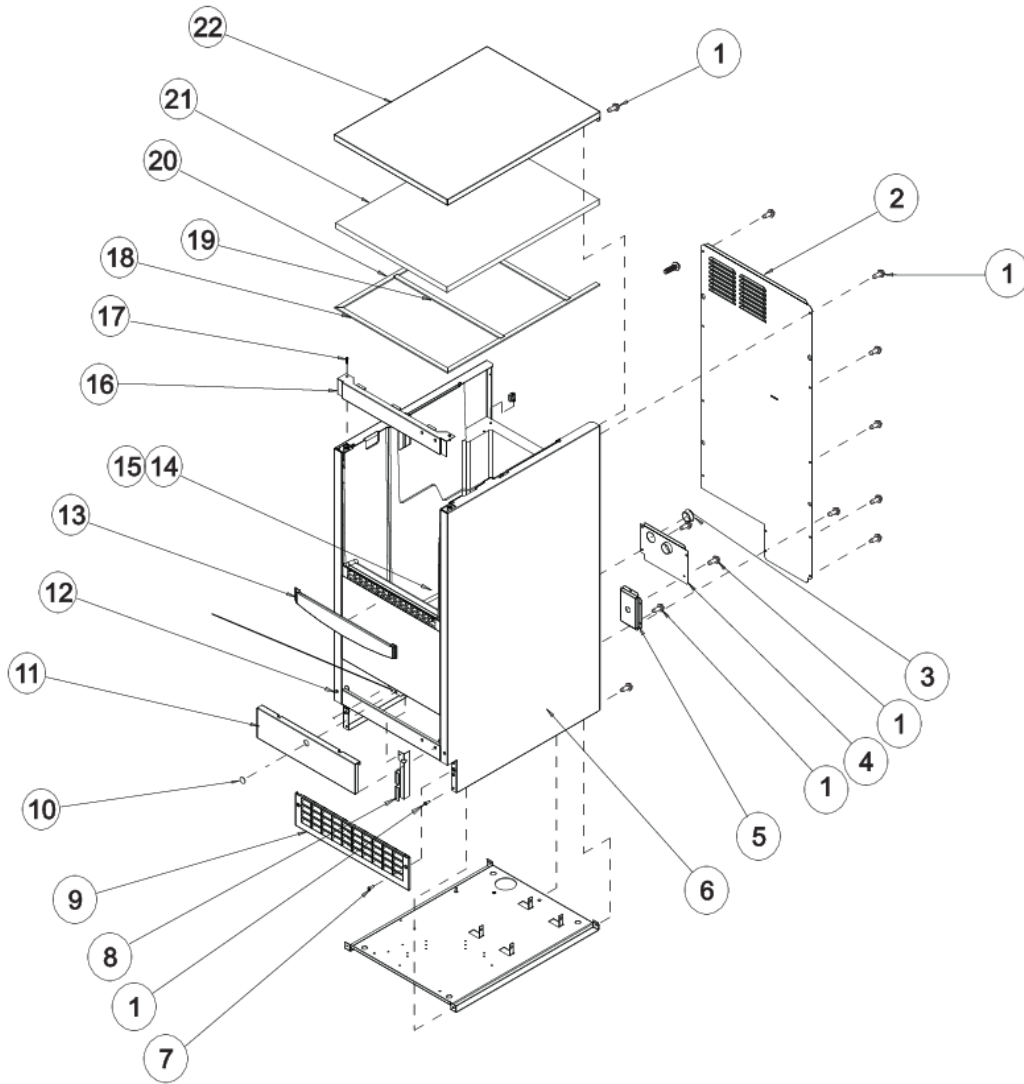


FPIM515

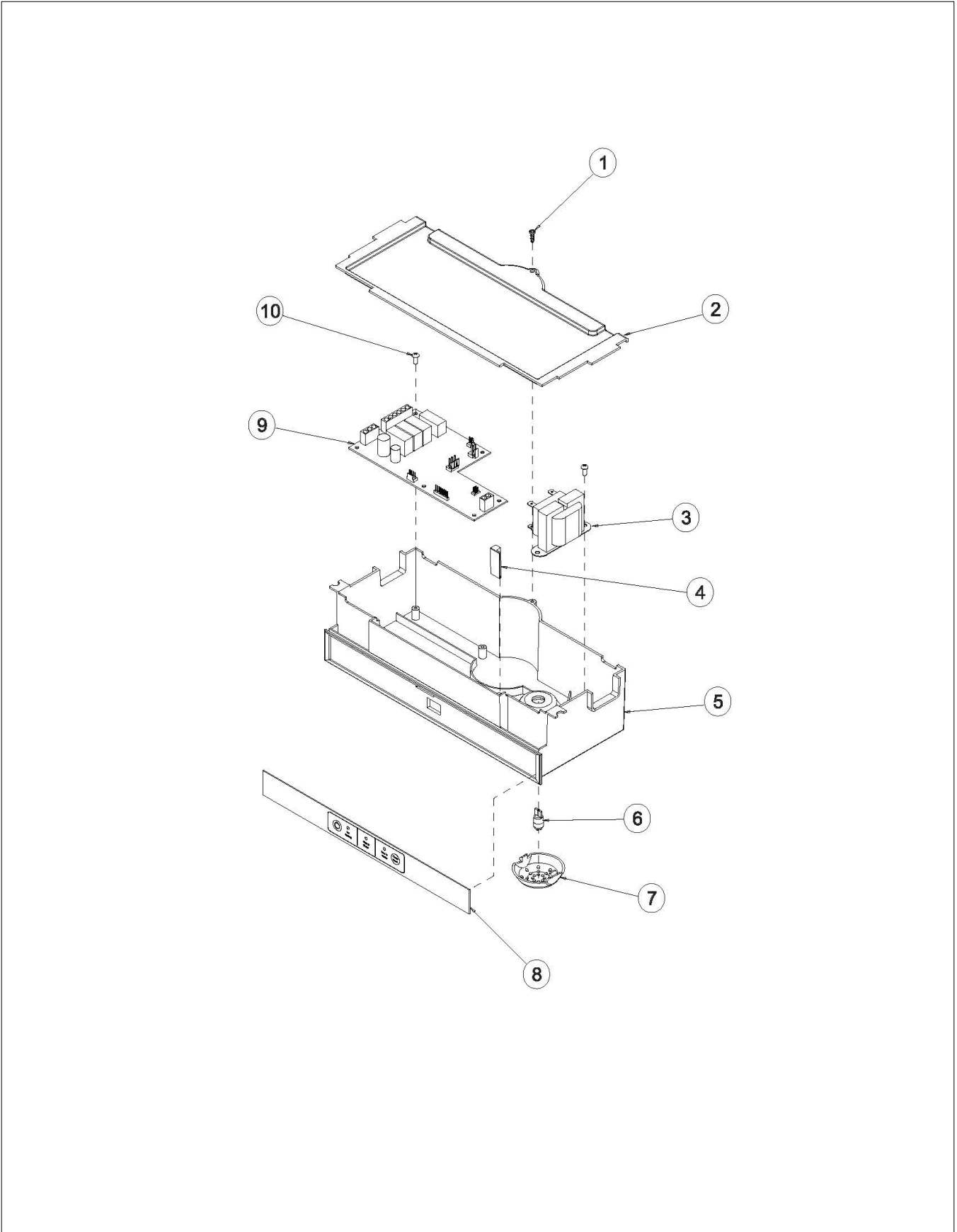
CABINET	1
CONTROL PANEL	2
DES SKIN ASM	3
DOOR ASM	4
PRO SKIN ASM	5
REF.	6
RES.PUMP	7
UNDER BIN PUMP	8
WIRING	9
PIDP515 Panel Assembly	10
Appendix A:Pages Index	A
Appendix B:Parts Index	B

CABINET



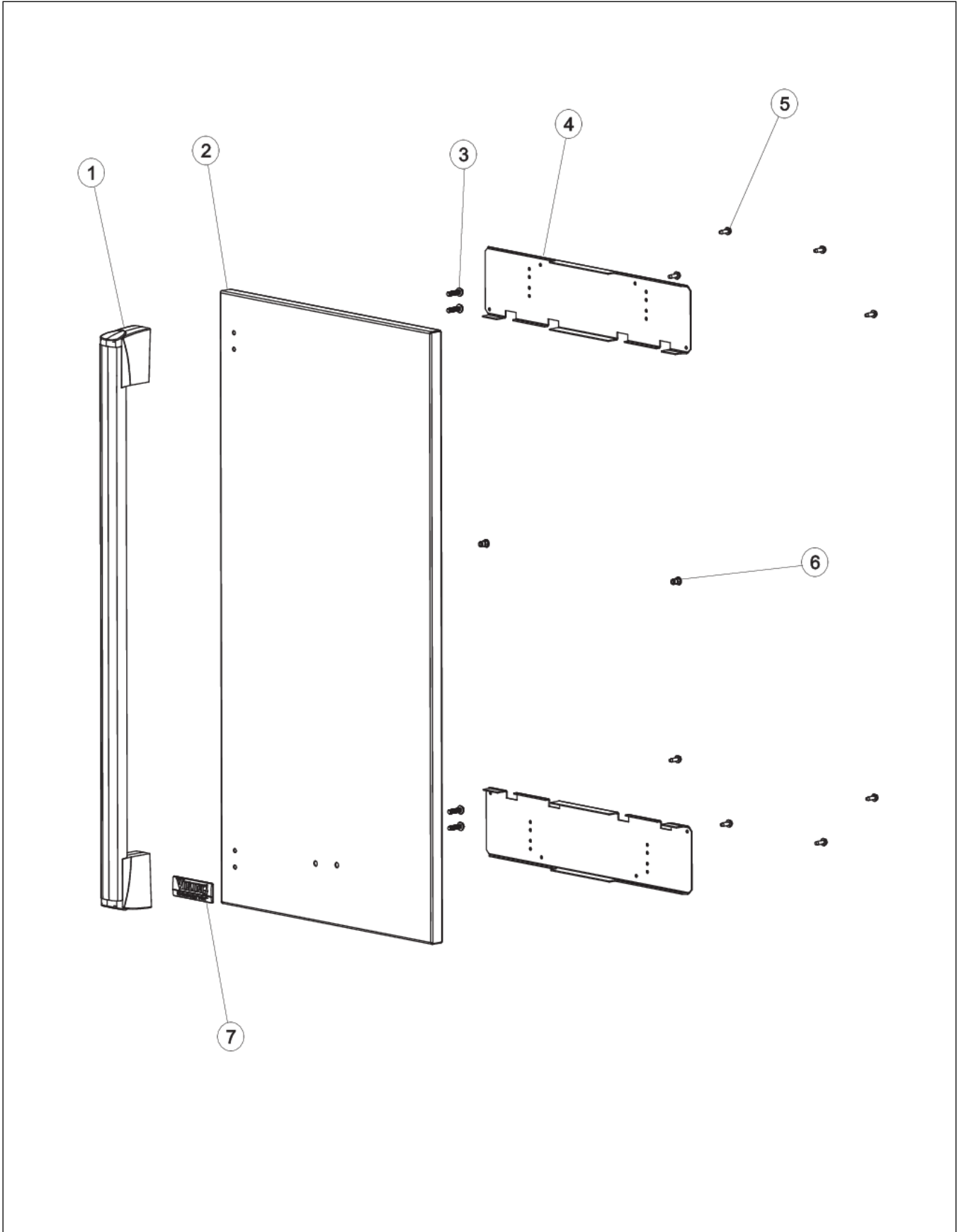
Item	Part No.	Name	Qty	Uom	NOTES
1	022565-000	SCREW	10	EA	
2	022610-000	BACK PANEL	1	EA	
3	022581-000	SNAP BUSHING	1	EA	
4	022617-000	UTILITY ROUTING BRACKET	1	EA	
5	022439-000	SUCTION LINE ASSEMBLY	1	EA	
6	022614-000	CABINET & BIN, SS	1	EA	
7	022563-000	SCREW	2	EA	
NI	022567-000	SCREW, SS	2	EA	
8	022618-000	SRV PANEL MNTG BRACKET	1	EA	
9	022549-000	KICKPLATE	1	EA	
NI	022620-000	KICKPLATE, SS	1	EA	
10	022525-000	HOLE PLUG	1	EA	
11	022625-000	SERVICE PANEL, SS	1	EA	
12	022622-000	BTM HINGE BRKT, RIGHT SS	1	EA	
NI	022623-000	BTM HINGE BRKT, LEFT SS	1	EA	
13	022551-000	BIN EDGING	1	EA	
14	022606-000	BIN STAT BRACKET/SCOOP HLDR	1	EA	
15	022550-000	SCOOP	1	EA	
16	022611-000	TOP HINGE BRKT, RH SS	1	EA	
NI	022612-000	TOP HINGE BRKT, LH SS	1	EA	
17	022569-000	SCREW	2	EA	
18	022597-000	FRONT GASKET	1	EA	
19	022599-000	MIDDLE GASKET	2	EA	
20	022598-000	SIDE GASKET	2	EA	
21	022557-000	INSULATION PAD	1	EA	
22	022624-000	TOP PANEL, SS	1	EA	
23	069570-000	INSERT	1	EA	

CONTROL PANEL



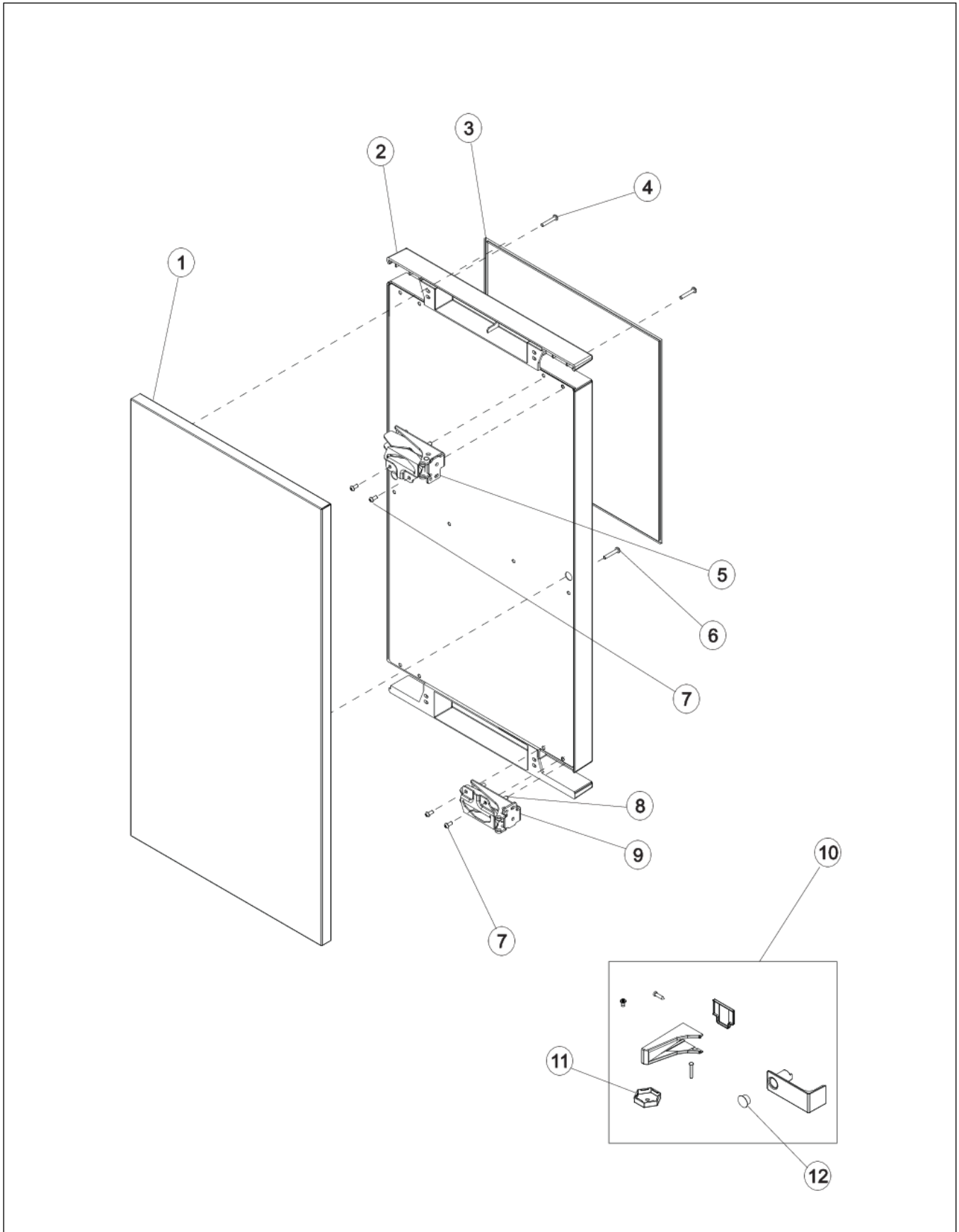
Item	Part No.	Name	Qty	Uom	NOTES
1	022569-000	SCREW	1	EA	
2	022548-000	COVER	1	EA	
3	022583-000	TRANSFORMER	1	EA	
4	022586-000	BIN LIGHT SENSOR	1	EA	
5	022546-000	CONTROL BOX	1	EA	
6	022584-000	BULB	1	EA	
7	022542-000	LIGHT COVER	1	EA	
8	051856-000	MEMBRANE	1	EA	
9	022577-000	CONTROLLER	1	EA	
10	022565-000	SCREW	5	EA	
NI	022585-000	BIN LIGHT HARNESS & SOCKET	1	EA	
NI	022592-000	BIN STAT HARNESS	1	EA	
NI	022591-000	HI VOLTAGE HARNESS, LOWER	1	EA	
NI	022590-000	HI VOLTAGE HARNESS, UPPER	1	EA	
NI	022589-000	WATER SENSOR HARNESS	1	EA	

DES SKIN ASM



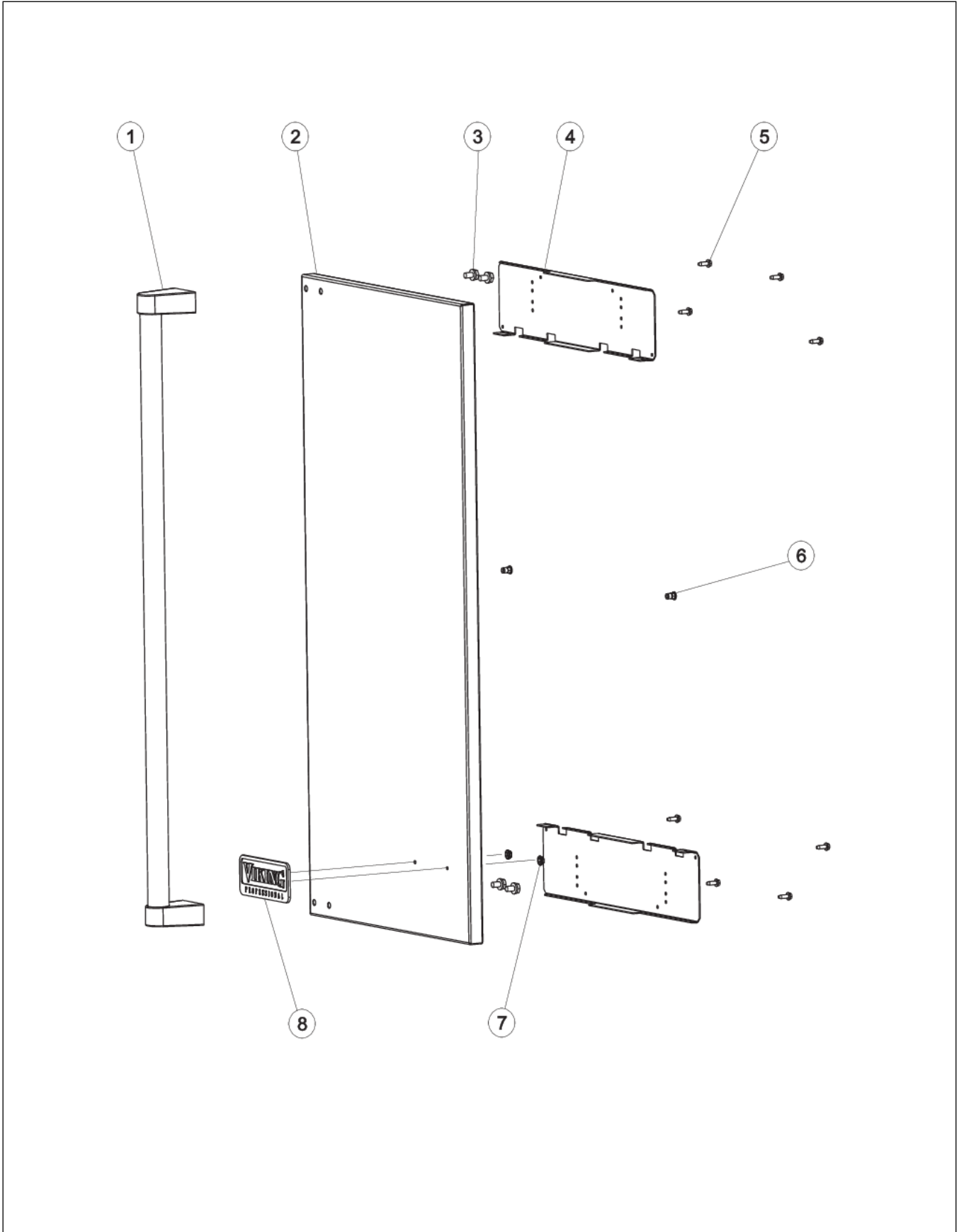
Item	Part No.	Name	Qty	Uom	NOTES
1	009602-000	HANDLE, ASM	1	EA	
2	024062-000	SKIN, DOOR, DES, RH	1	EA	
NI	024064-000	SKIN, DOOR, DES, LH	1	EA	
3	008974-000	SCREW 10 - 32 X 3/4 SLOT HEX WASHER W/ LOCTITE	4	EA	
4	024031-000	DOOR, BRACE, TOP/BOTTOM	2	EA	
5	023122-000	SCR 8-32 SHXW 1/2 TRI-LOBE	8	EA	
6	024118-000	FASTENER,RIVNUT,8-32 THREAD	2	EA	
7	013700-000	2.75" DESIGNER LOGO WITH PINS	1	EA	

DOOR ASM



Item	Part No.	Name	Qty	Uom	NOTES
1	PIDP15R	SALES ITEM	1	EA	
1	PIDP15L	SALES ITEM	1	EA	
2	022635-000	DOOR ASSEMBLY, DOES NOT INCLUDE DOOR PANEL OR HINGES	1	EA	
3	022633-000	DOOR GASKET	1	EA	
4	022629-000	SCREW	2	EA	
5	022628-000	HINGE-TOP RIGHT/BOTTOM LEFT	1	EA	
6	022631-000	SCREW	1	EA	
7	022630-000	SCREW-HINGE TO DOOR	4	EA	
8	022632-000	SCREW-HINGE TO CABINET	4	EA	
9	022627-000	HINGE-TOP LEFT/BOTTOM RIGHT	1	EA	
10	022560-000	HINGE COVER PACKAGE/HARDWARE	1	EA	
11	022555-000	LEG CAP, PACK OF 4	1	EA	
12	022626-000	HOLE PLUG - WHITE	1	EA	
NI	022634-000	DOCUMENT PACKAGE	1	EA	

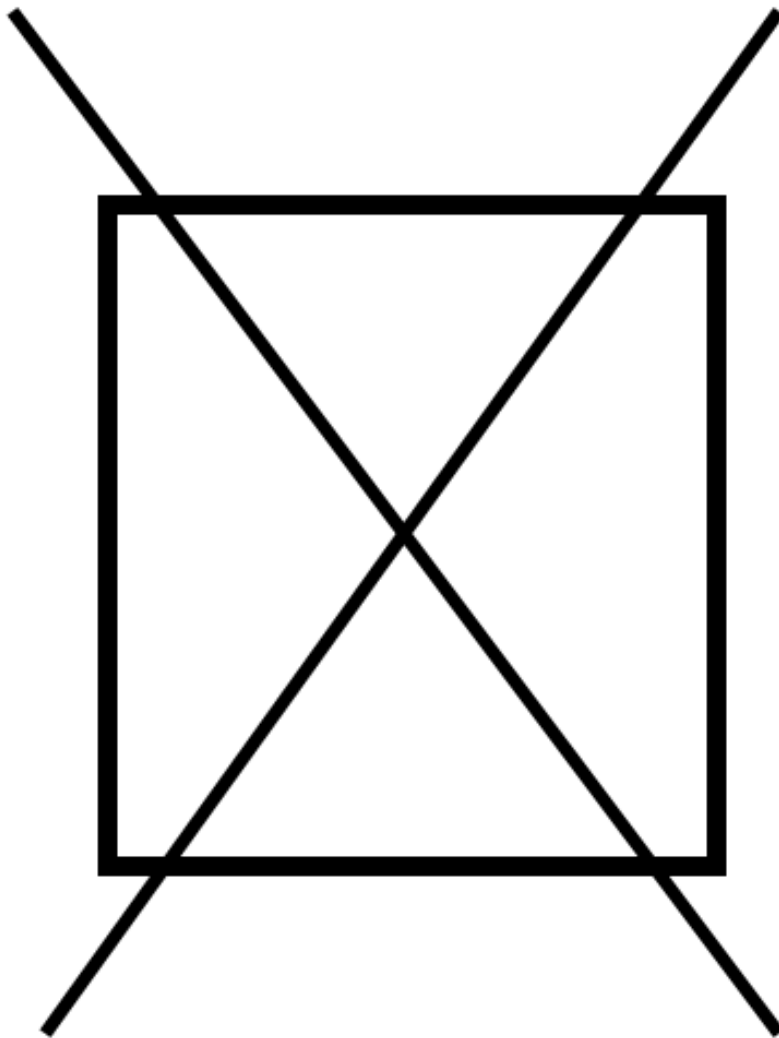
PRO SKIN ASM



Item	Part No.	Name	Qty	Uom	NOTES
1	024030-000	HANDLE, DOOR, ASM, PRO	1	EA	
2	024027-000	SKIN, DOOR, PRO, RH	1	EA	Not available online / Call for pricing and availability
NI	024036-000	SKIN, DOOR, PRO, LH	1	EA	
3	PD010019	BLT-1/4-20X3/8"HEX WASHER SERATED	4	EA	
4	024031-000	DOOR, BRACE, TOP/BOTTOM	2	EA	
5	M0230028	SCREW-TC	8	EA	
6	024118-000	FASTENER,RIVNUT,8-32 THREAD	2	EA	
7	PD030006	CAPPED WASHER PAL NUT	2	EA	
8	PE010016	LOGO (ALL RANGES) *BK/CHR 307997W	1	EA	
NI	PIDP15R	SALES ITEM	1	EA	
NI	PIDP15L	SALES ITEM	1	EA	

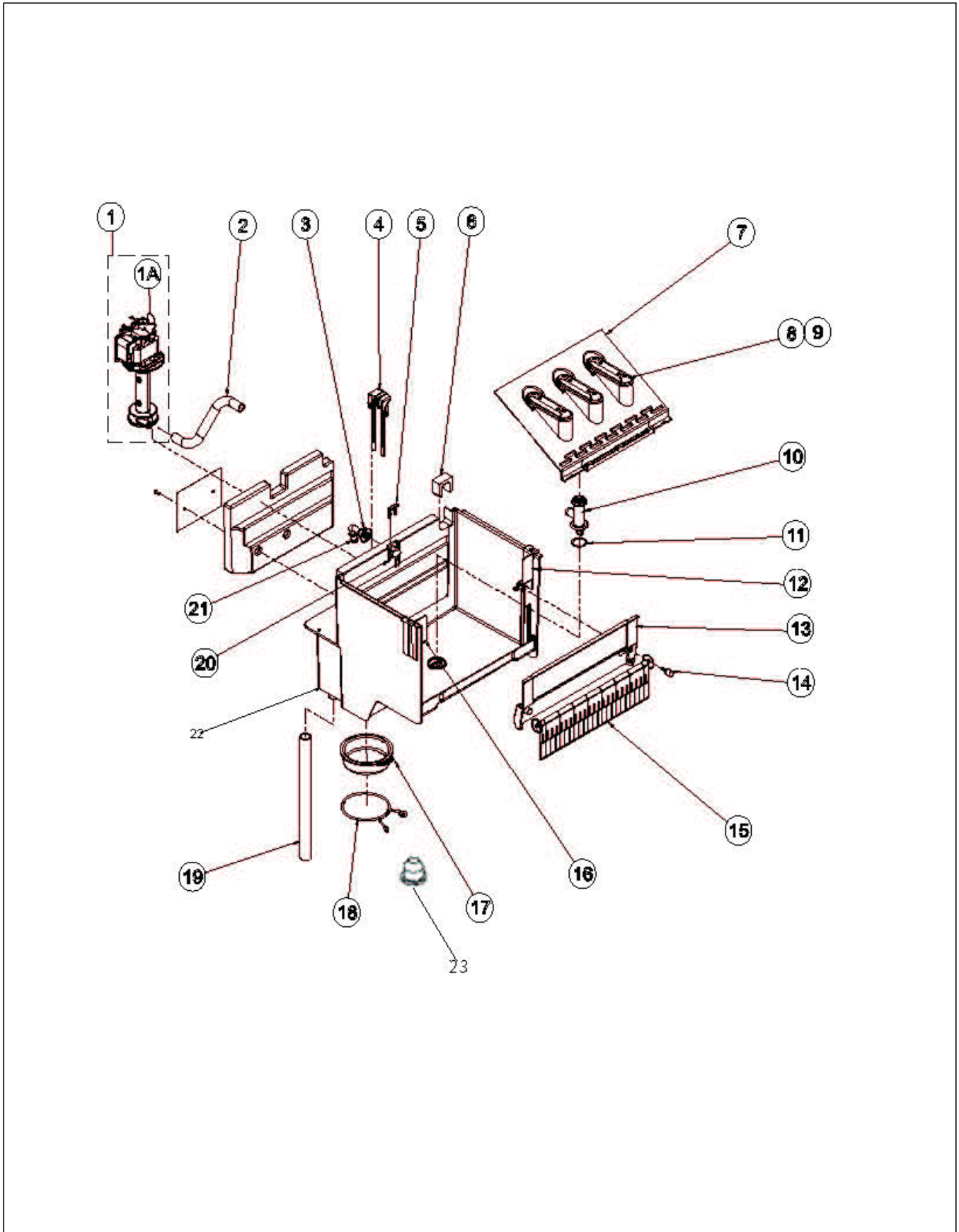
REF.

NON
ILLUSTRATED PART



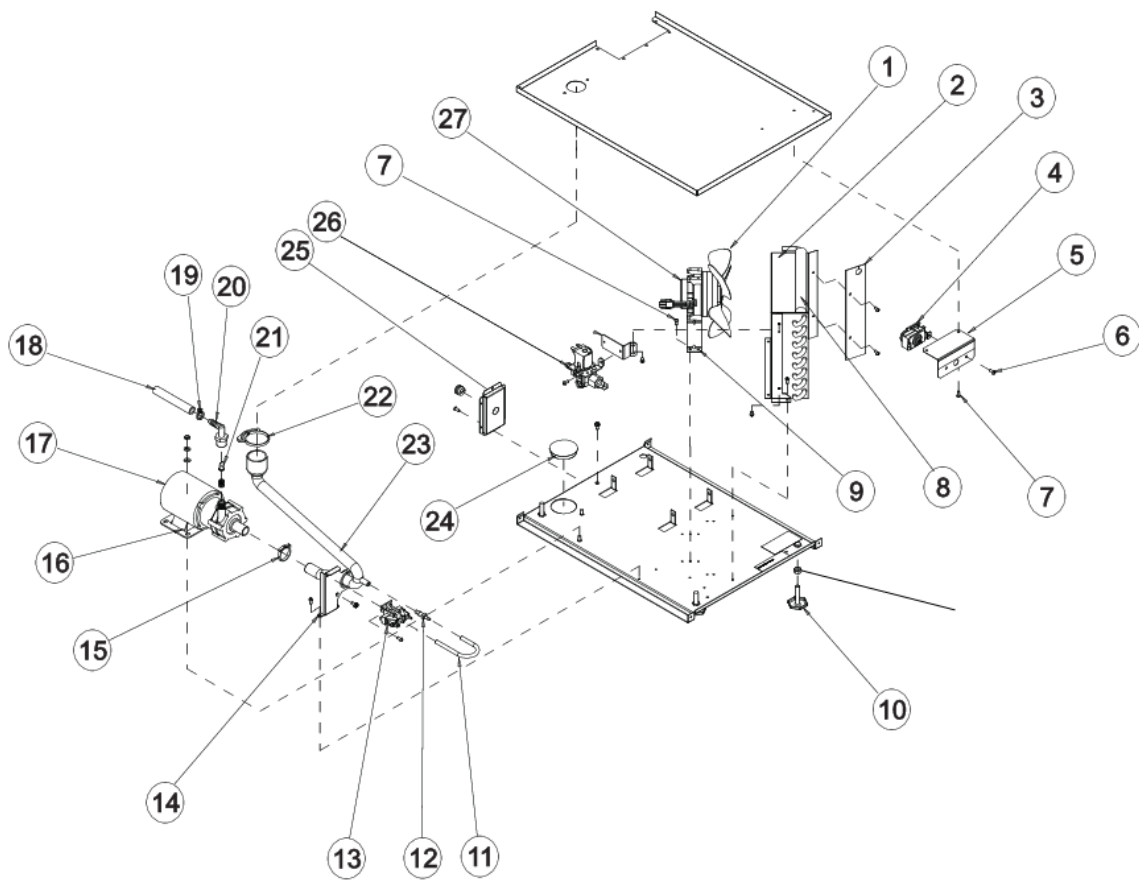
Item	Part No.	Name	Qty	Uom	NOTES
1	022616-000	SUCTION LINE ACCUMULATOR ASSY	1	EA	
2	022578-000	THERMISTOR	1	EA	
3	022540-000	EVAPORATOR	1	EA	
4	022602-000	COMPRESSOR (INCLUDES OVERLOAD, RELAY AND DRIER)	1	EA	
NI	022603-000	OVERLOAD	1	EA	
NI	022604-000	RELAY	1	EA	
5	022568-000	CLIP	4	EA	
6	022564-000	WASHER	4	EA	
7	022601-000	GROMMET	4	EA	
8	022605-000	CONDENSER	1	EA	
9	022556-000	DRIER	1	EA	
10	022575-000	HOT GAS VALVE	1	EA	
NI	022576-000	HGV COIL	1	EA	

RES.PUMP



Item	Part No.	Name	Qty	Uom	NOTES
1	022587-000	WATER PUMP	1	EA	
	NOTE	(INCLUDES FAN BLADE)		EA	
1A	031803-000	FAN BLADE	1	EA	
2	022541-000	PUMP DISCHARGE HOSE	1	EA	
3	022594-000	O-RING	1	EA	
4	022608-000	WATER PROBE (WATER SENSOR)	1	EA	
5	022545-000	CLIP	1	EA	
6	022561-000	GROMMET	1	EA	
7	022537-000	SPRAY PLATFORM	1	EA	
8	022538-000	O-RING	1	EA	
9	022536-000	SPRAY NOZZLE, KIT. SET OF 4.	1	EA	
10	022534-000	WATER TEE	1	EA	
11	022595-000	O-RING	1	EA	
12	022539-000	EVAP BRACKET, RIGHT	1	EA	
13	022533-000	FRONT BRACKET	1	EA	
14	022570-000	THUMB SCREW	2	EA	
15	022609-000	CURTAIN	1	EA	
16	022573-000	EVAP BRACKET, LEFT	1	EA	
17	022535-000	DRAIN CAP	1	EA	
	NOTE	(BEFORE 08/02/12)		EA	
18	022547-000	CLAMP	1	EA	
	NOTE	(BEFORE 08/02/12)		EA	
19	022558-000	DRAIN TUBE	1	EA	
20	022544-000	SPOUT	1	EA	
21	022543-000	BARBED FITTING	1	EA	
22	068586-000	RESERVOIR	1	EA	
23	046778-000	Drain plug	1	EA	
	NOTE	(ON OR AFTER 08/2/12)		EA	

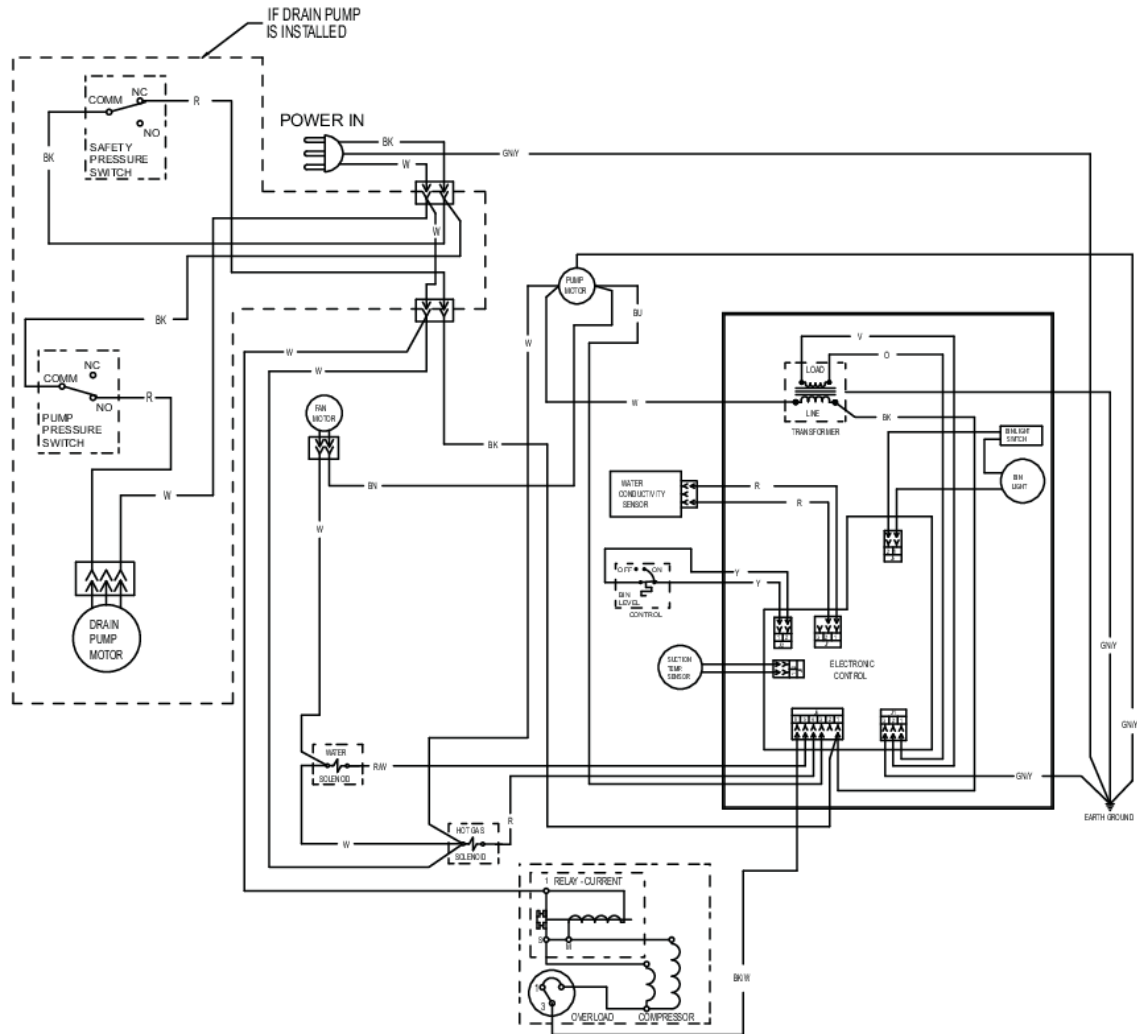
UNDER BIN PUMP



Item	Part No.	Name	Qty	Uom	NOTES
1	022532-000	FAN BLADE	1	EA	
2	022619-000	FAN SHROUD	1	EA	Not available online / Call for pricing and availability
3	022559-000	AIR BAFFLE	1	EA	
4	022579-000	BIN THERMOSTAT	1	EA	
5	022615-000	THERMOSTAT BRACKET	1	EA	
6	022562-000	SCREW	2	EA	
7	022565-000	SCREW	2	EA	
8	022596-000	GASKET	1	EA	
9	022621-000	FAN MOTOR BRACKET	1	EA	
10	022566-000	LEG LEVELER	4	EA	
11	022572-000	SWITCH HOSE	1	EA	
12	022530-000	BARBED CONNECTOR	1	EA	
13	022574-000	PRESSURE SWITCH	1	EA	
14	022613-000	SWITCH BRACKET	1	EA	
15	022528-000	HOSE CLAMP	1	EA	
16	022571-000	SPRING	4	EA	
17	022582-000	PUMP & MOTOR ONLY	1	EA	
18	022607-000	DISCHARGE HOSE	1	EA	
19	022524-000	HOSE CLAMP	1	EA	
20	022531-000	ELBOW	1	EA	Not available online / Call for pricing and availability
21	022529-000	CHECK VALVE	1	EA	
22	022528-000	HOSE CLAMP	1	EA	
23	022553-000	DRAIN TUBE	1	EA	
24	022526-000	HOLE PLUG	1	EA	
25	022439-000	SUCTION LINE ASSEMBLY	1	EA	
26	022588-000	INLET WATER SOL VALVE	1	EA	
27	022593-000	FAN MOTOR	1	EA	
28	073815-000	HEX INSERT	4	EA	

WIRING

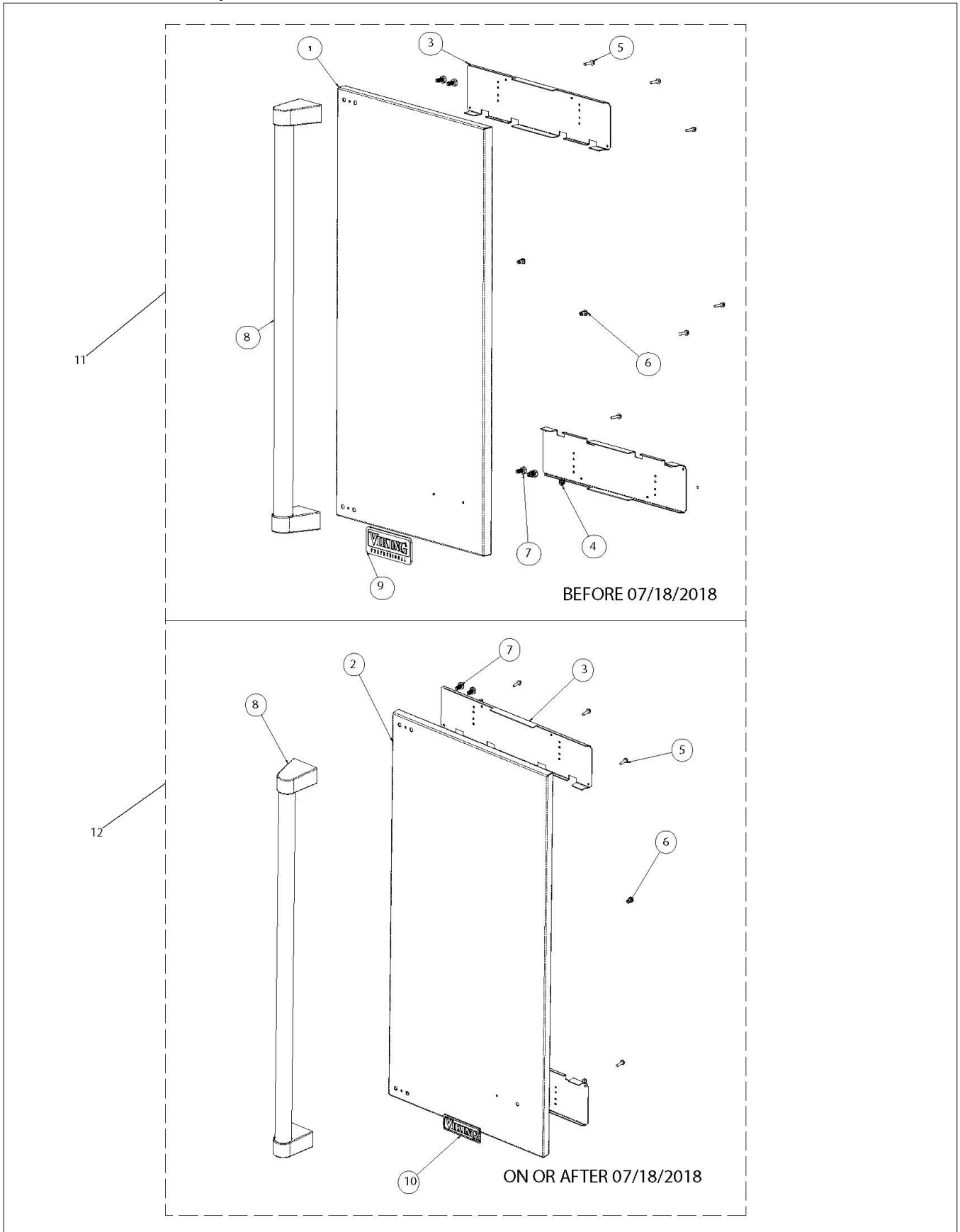
Wiring Diagram





Item	Part No.	Name	Qty	Uom	NOTES
NI	044176-000	POWER CORD	1	EA	
NI	044175-000	BRACKET, POWER CORD	1	EA	

PIDP515 Panel Assembly



Item	Part No.	Name	Qty	Uom	NOTES
1	062464-000	SKIN, DOOR, PRO, RH	1	EA	
	NOTE	(BEFORE 07/18/2018)		EA	
1	062473-000	SKIN, DOOR, PRO, LH	1	EA	
	NOTE	(BEFORE 07/18/2018)		EA	
2	067992-000	SKIN, DOOR, PRO, RH	1	EA	
	NOTE	(ON OR AFTER 07/18/2018)		EA	
2	067994-000	SKIN, DOOR, PRO, LH	1	EA	
	NOTE	(ON OR AFTER 07/18/2018)		EA	
3	024031-000	DOOR, BRACE, TOP/BOTTOM	2	EA	
4	PD030006	CAPPED WASHER PAL NUT	2	EA	
	NOTE	(BEFORE 07/18/2018)		EA	
5	025964-000	SCREW, 8-32 X 5/8 HEX WASHER ZINC F	8	EA	
6	024118-000	FASTENER,RIVNUT,8-32 THREAD	2	EA	
7	035647-000	BOLT, FASTENER, HXH, SST	4	EA	
8	062462-000	HANDLE, DOOR, ASM, PRO	1	EA	
9	PE010016	LOGO (ALL RANGES) *BK/CHR 307997W	1	EA	
	NOTE	(BEFORE 07/18/2018)		EA	
10	062341-000	NAMEPLATE, VIKING, 3.500", W/LOC PINS 5 SERIES	1	EA	
	NOTE	(ON OR AFTER 07/18/2018)		EA	
11	062472-000	DOOR SKIN ASM PRO RH	1	EA	
	NOTE	(BEFORE 07/18/2018)		EA	
11	062474-000	DOOR SKIN ASM PRO LH	1	EA	
	NOTE	(BEFORE 07/18/2018)		EA	
12	067993-000	SKIN, DOOR, ASM, PRO, RH	1	EA	
	NOTE	(ON OR AFTER 07/18/2018)		EA	
12	067995-000	SKIN, DOOR, ASM, PRO, LH	1	EA	
	NOTE	(ON OR AFTER 07/18/2018)		EA	



Appendix A:Pages Index

CABINET 1
CONTROL PANEL 2
DES SKIN ASM 3
DOOR ASM 4
PIDP515 Panel Assembly 10
PRO SKIN ASM 5
REF. 6
RES.PUMP 7
UNDER BIN PUMP 8
WIRING 9

Appendix B:Parts Index

008974-000	3	022563-000	1
009602-000	3	022564-000	6
013700-000	3	022565-000	1, 2, 8
022439-000	1, 8	022566-000	8
022524-000	8	022567-000	1
022525-000	1	022568-000	6
022526-000	8	022569-000	1, 2
022528-000	8, 8	022570-000	7
022529-000	8	022571-000	8
022530-000	8	022572-000	8
022531-000	8	022573-000	7
022532-000	8	022574-000	8
022533-000	7	022575-000	6
022534-000	7	022576-000	6
022535-000	7	022577-000	2
022536-000	7	022578-000	6
022537-000	7	022579-000	8
022538-000	7	022581-000	1
022539-000	7	022582-000	8
022540-000	6	022583-000	2
022541-000	7	022584-000	2
022542-000	2	022585-000	2
022543-000	7	022586-000	2
022544-000	7	022587-000	7
022545-000	7	022588-000	8
022546-000	2	022589-000	2
022547-000	7	022590-000	2
022548-000	2	022591-000	2
022549-000	1	022592-000	2
022550-000	1	022593-000	8
022551-000	1	022594-000	7
022553-000	8	022595-000	7
022555-000	4	022596-000	8
022556-000	6	022597-000	1
022557-000	1	022598-000	1
022558-000	7	022599-000	1
022559-000	8	022601-000	6
022560-000	4	022602-000	6
022561-000	7	022603-000	6
022562-000	8	022604-000	6
		022605-000	6

022606-000	1	044175-000	9
022607-000	8	044176-000	9
022608-000	7	046778-000	7
022609-000	7	051856-000	2
022610-000	1	062341-000	10
022611-000	1	062462-000	10
022612-000	1	062464-000	10
022613-000	8	062472-000	10
022614-000	1	062473-000	10
022615-000	8	062474-000	10
022616-000	6	067992-000	10
022617-000	1	067993-000	10
022618-000	1	067994-000	10
022619-000	8	067995-000	10
022620-000	1	068586-000	7
022621-000	8	069570-000	1
022622-000	1	073815-000	8
022623-000	1	M0230028	5
022624-000	1	PD010019	5
022625-000	1	PD030006	5, 10
022626-000	4	PE010016	5, 10
022627-000	4	PIDP15L	4, 5
022628-000	4	PIDP15R	4, 5
022629-000	4		
022630-000	4		
022631-000	4		
022632-000	4		
022633-000	4		
022634-000	4		
022635-000	4		
023122-000	3		
024027-000	5		
024030-000	5		
024031-000	3, 5, 10		
024036-000	5		
024062-000	3		
024064-000	3		
024118-000	3, 5, 10		
025964-000	10		
031803-000	7		
035647-000	10		