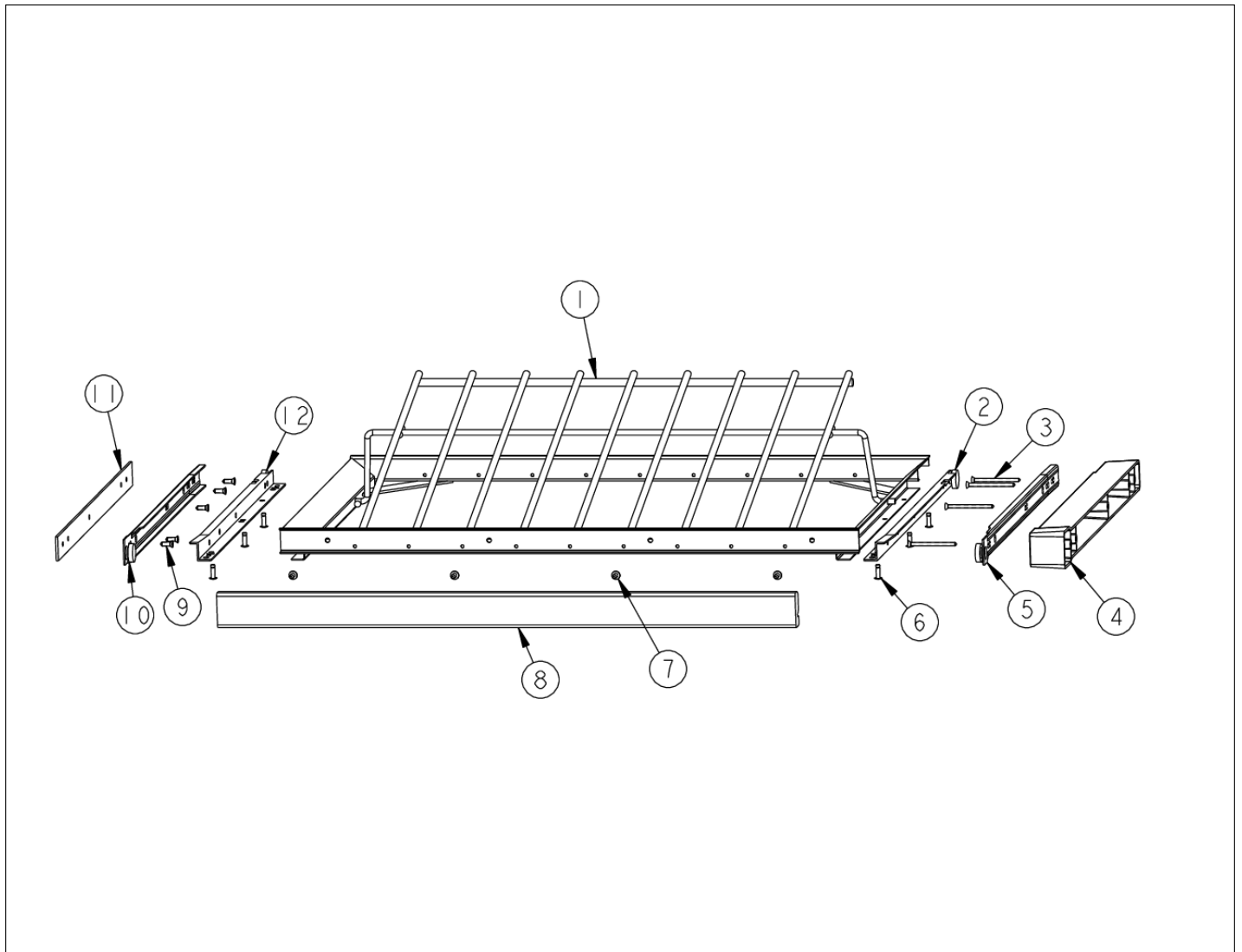


**VCWB300**

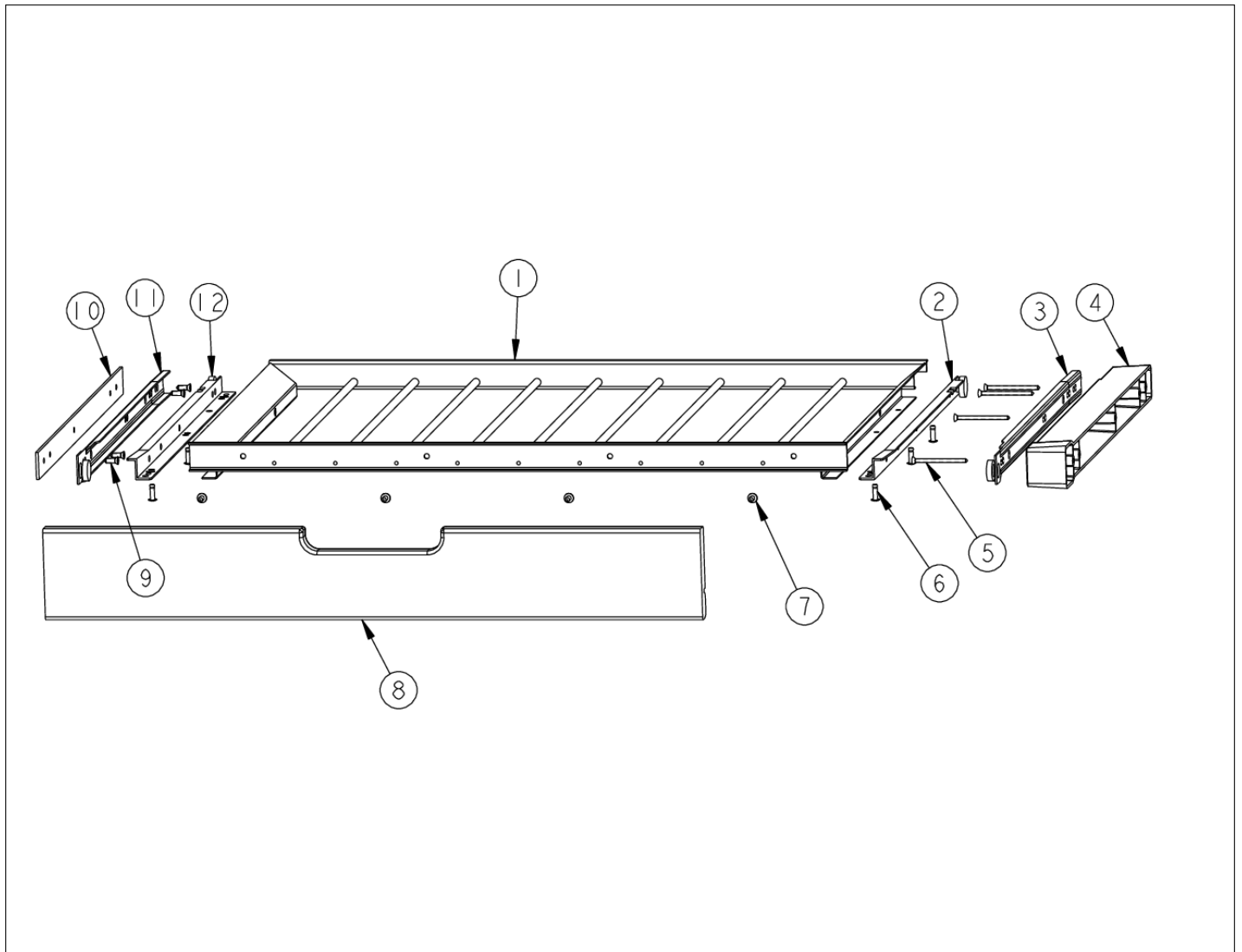
ADJUSTABLE WINE RACK .....	1
BOTTOM RACK .....	2
DOOR ASSEMBLY .....	3
EVAPORATOR AREA .....	4
INTERIOR COMPARTMENT .....	5
LOWER UNIT AREA .....	6
MC COVER AND UPPER GRILLE .....	7
PE970333 WIRING HARNESS .....	8
PE970427 CABINET HARNESS .....	9
REFRIGERANT FLOW .....	10
TOP - MIDDLE RACK .....	11
UNIT EXTERIOR .....	12
UPPER UNIT AREA .....	13
WINE CELLAR SHELVING .....	14
Appendix A:Pages Index .....	A
Appendix B:Parts Index .....	B

ADJUSTABLE WINE RACK



Item	Part No.	Name	Qty	Uom	NOTES
1	G5098397	WINE RACK ASSY COMP - ADJ	1	EA	
2	PC980001	WINE RACK SLIDE - RACK R	1	EA	
3	PD920155	FLATHEAD POINT TYPE "AB" #8-18 X 2"	1	EA	
4	PD940103	SPACER - WINE RACK	1	EA	
5	PK900030	WINE RACK SLIDE - CABINET R	1	EA	
6	PC940018	POP RIVET - 5/32 X 1/8 - 1/4 GRIP	1	EA	
7	PD020194	SCR, HEX SRTD WSHR HD, #8- 18 X 1/2	1	EA	
8	025495-000	FRONT TOP/MID RACK TOP TWO	1	EA	
9	PD920140	SCREW	1	EA	
10	PK900029	WINE RACK SLIDE - CABINET L	1	EA	
11	PD940078	SPACER WINE RACK SLIDE .125 THICK	1	EA	
12	PC980002	WINE RACK SLIDE - RACK L	1	EA	NO LONGER AVAILABLE

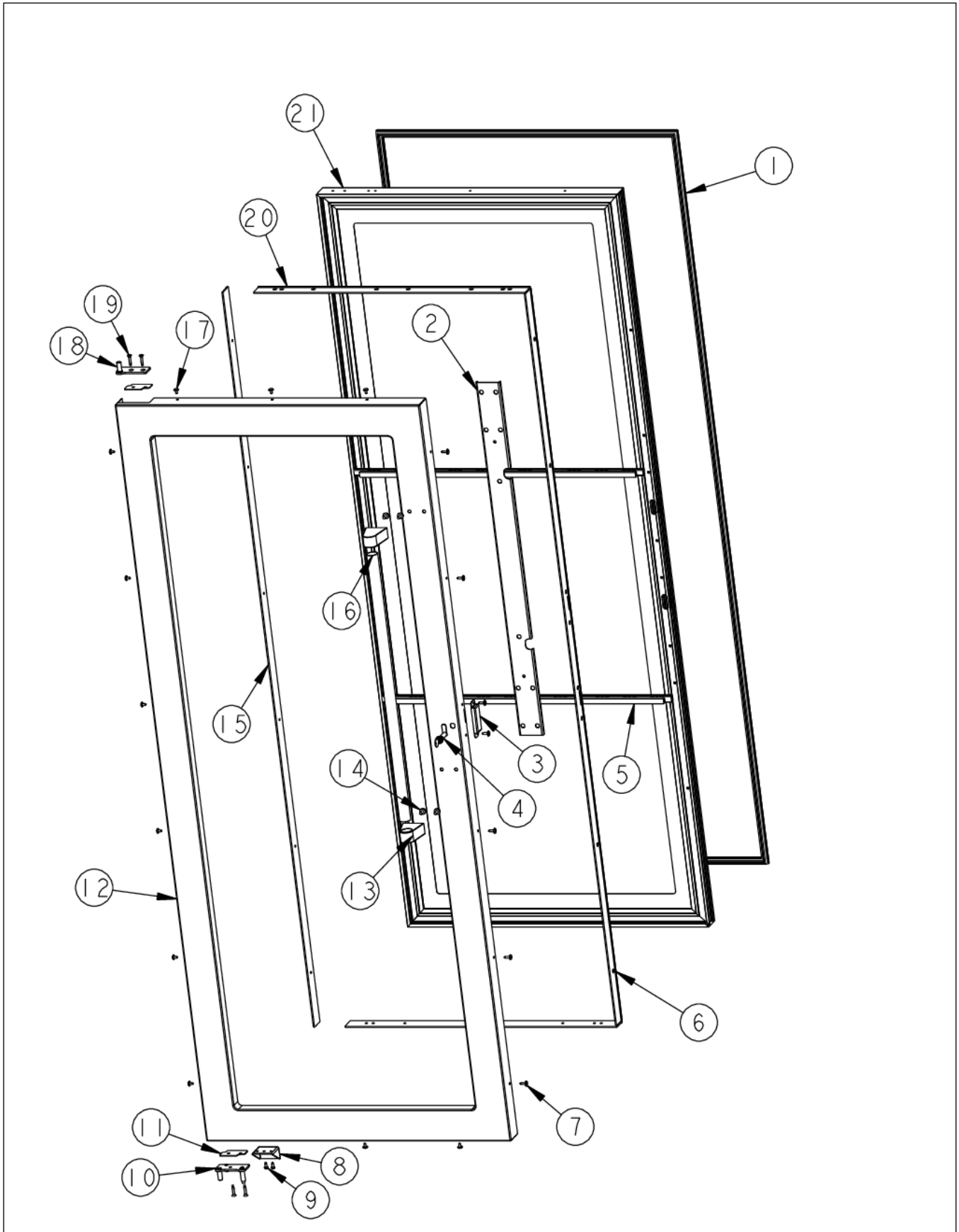
BOTTOM RACK





Item	Part No.	Name	Qty	Uom	NOTES
1	PM910289	WINE RACK ASSY FRAME	1	EA	Not available online / Call for pricing and availability
2	PC980001	WINE RACK SLIDE - RACK R	1	EA	
3	PK900030	WINE RACK SLIDE - CABINET R	1	EA	
4	PD940103	SPACER - WINE RACK	1	EA	
5	PD920155	FLATHEAD POINT TYPE "AB" #8-18 X 2"	1	EA	
6	PC940018	POP RIVET - 5/32 X 1/8 - 1/4 GRIP	1	EA	
7	PD020194	SCR, HEX SRTD WSHR HD, #8- 18 X 1/2	1	EA	
8	025496-000	FRONT RACK BOTTOM TOP TWO	1	EA	Not available online / Call for pricing and availability
9	PD920140	SCREW	1	EA	
10	004245-000	SPACER, RACK, WINE	1	EA	
11	PK900029	WINE RACK SLIDE - CABINET L	1	EA	
12	PC980002	WINE RACK SLIDE - RACK L	1	EA	NO LONGER AVAILABLE

DOOR ASSEMBLY

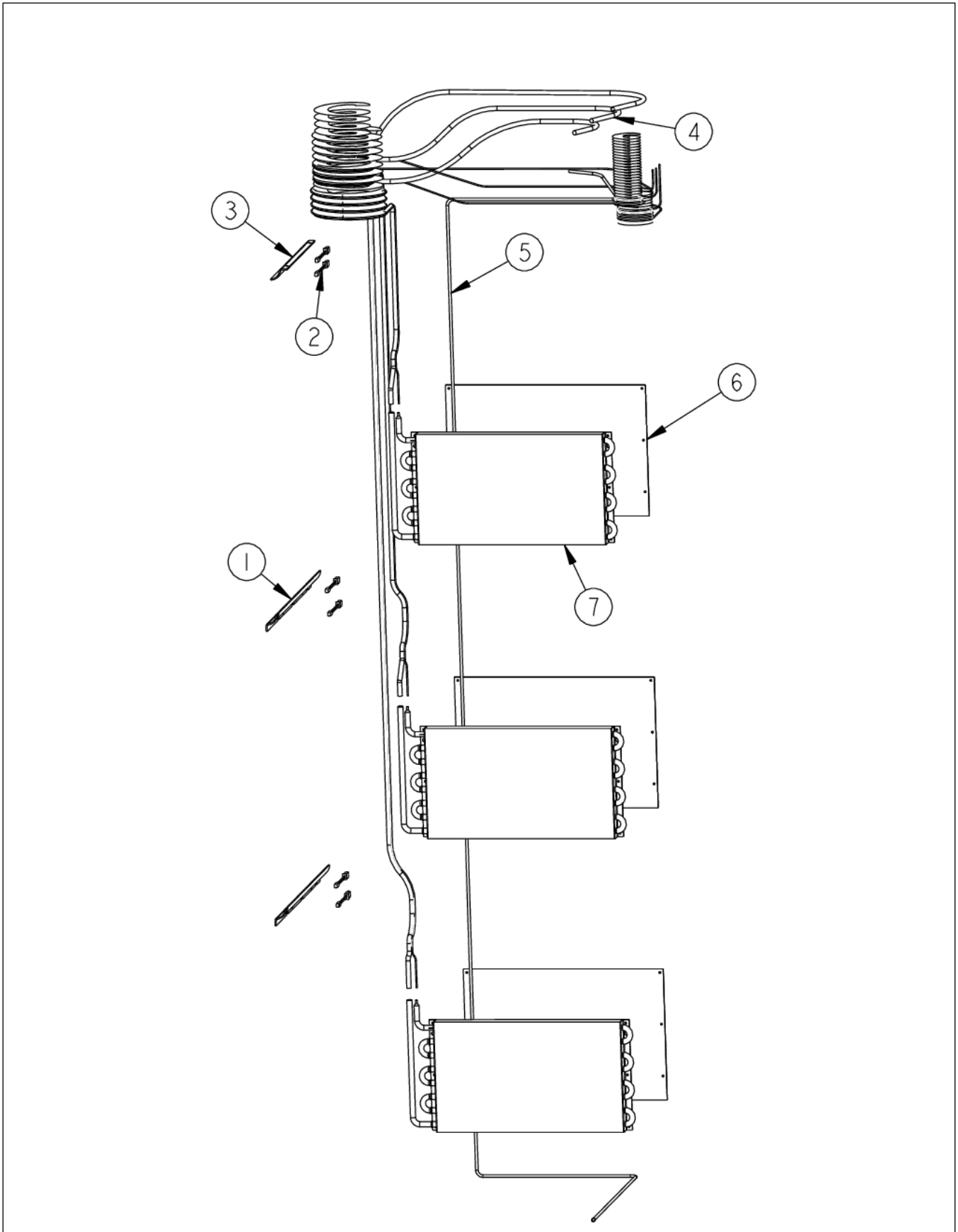


Item	Part No.	Name	Qty	Uom	NOTES
1	PB970233	WINE CELLAR DOOR GASKET	1	EA	
2	K2098342	BRACKET - HANDLE SUPPORT	1	EA	
3	B2098666	COVER STRIKE	1	EA	
4	001400-000	LOCKING, ARM ASM PRO	1	EA	
5	PB970148	GASKET - WC DOOR SEAL	1	EA	
6	PK930155	SPACER - WC PRO / DES HANDLE	1	EA	
6	PK930103	SPACER - WC PRO/DES HINGE	1	EA	
7	M0210458	SCR 8-18 X 5/8 WAFER PH SMS	1	EA	
8	PD050019	STRIKER DOOR SWITCH	1	EA	
9	PD020194	SCR, HEX SRTD WSHR HD, #8-18 X 1/2	1	EA	
10	PC920147	PIVOT PLATE ASSY - WC LH BOT	1	EA	
10	PC920146	PIVOT PLATE ASSY - WC RH BOT	1	EA	
11	PD940092	SPACER - DOOR HINGE	1	EA	
12	PM910272	SKIN - WC DOOR W/LOCK PRO LH	1	EA	
12	PM910271	SKIN - WC DOOR W-LOCK PRO RH	1	EA	
13	000268-000	HANDLE ENDCAP	1	EA	
13	PE030001PVD	END CAP DOOR HANDLE *BR	1	EA	
14	M0204303	SCREW-MACH	1	EA	
15	PK930103	SPACER - WC PRO/DES HINGE	1	EA	
15	PK930155	SPACER - WC PRO / DES HANDLE	1	EA	
16	PE930101	VCSB482 HANDLE -(12466403)	1	EA	
16	PE030173PVD	BRASS HANDLE	1	EA	Not available online / Call for pricing and availability
17	PD020032	SRW-8(A)X3/8"PH.WFR HD 7/16DIA*NICL	1	EA	
18	PC920132	PIVOT PLATE ASSY - LH	1	EA	
18	PC920133	PIVOT PLATE ASSY - RH	1	EA	
19	PD920174	10X7/8 PHILLIPS SMA TRI LOBE SA	1	EA	



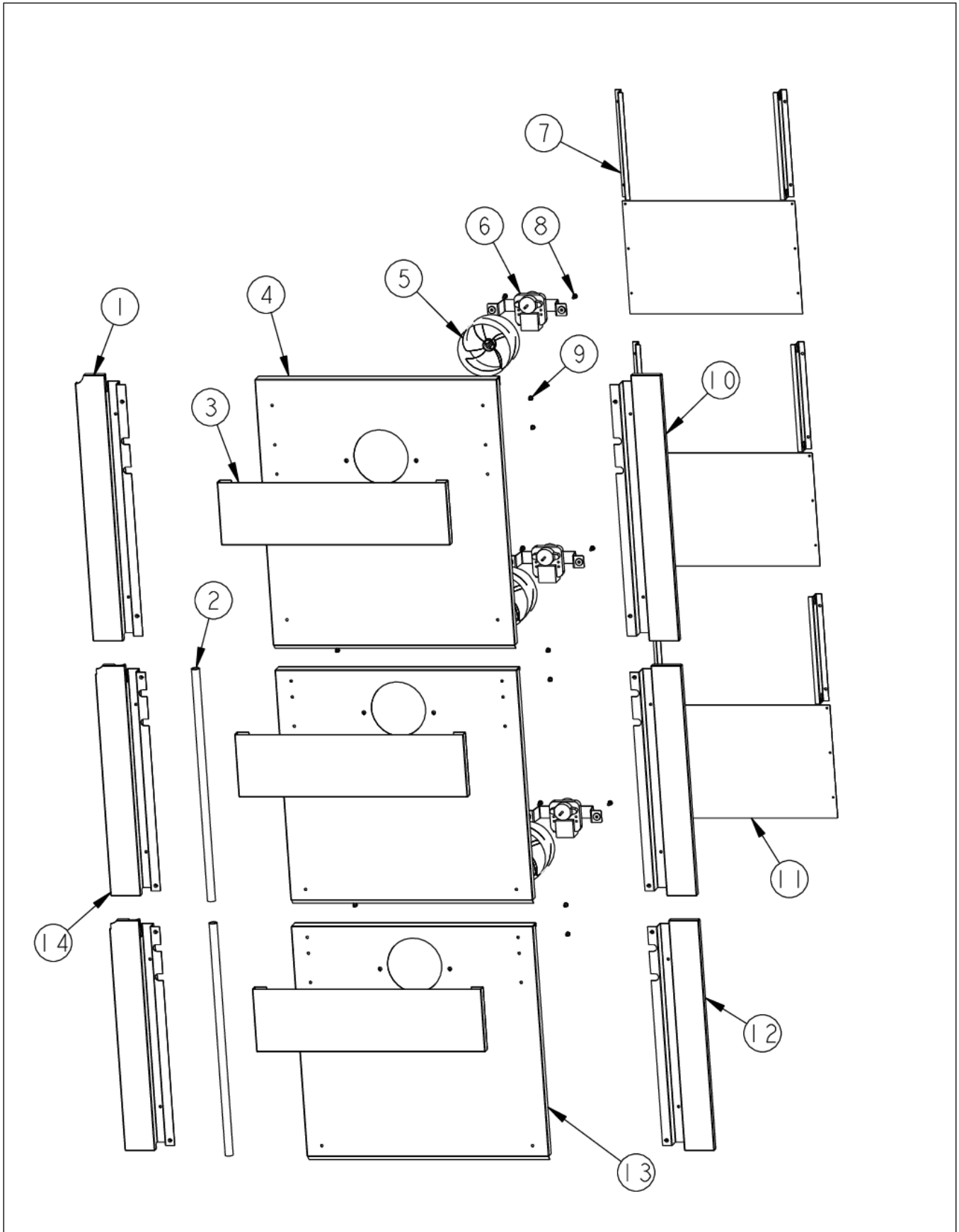
Item	Part No.	Name	Qty	Uom	NOTES
20	PK930099	SPACER - DOOR WC PRO	1	EA	
21	PM010595	DOOR GLASS ASM DES/PRO CLR	1	EA	
21	PM010599	DOOR GLASS ASM DES PRO FLT	1	EA	
NI	G5099007	DOOR NAMEPLATE VIKING WC	1	EA	
NI	G5099007BR	DOOR NAMEPLATE VIKING WC	1	EA	
NI	G32915045	DOOR ASM WC PRO LH CLR	1	EA	
NI	G32915045BR	COMPLETE CLEAR GLASS DOOR - LH (BRASS)	1	EA	
NI	G32915046	DOOR ASM WC PRO RH CLR	1	EA	
NI	G32915046BR	DOOR ASM WC PRO RH CLR	1	EA	
NI	G32915080	COMPLETE FLUTED GLASS DOOR - LH	1	EA	Not available online / Call for pricing and availability
NI	G32915080BR	COMPLETE FLUTED GLASS DOOR - LH (BRASS)	1	EA	Not available online / Call for pricing and availability
NI	G32915079	COMPLETE FLUTED GLASS DOOR - RH	1	EA	Not available online / Call for pricing and availability
NI	G32915079BR	COMPLETE FLUTED GLASS DOOR - RH (BRASS)	1	EA	Not available online / Call for pricing and availability
NI	PM910318	WC DOOR LOCK KEY	1	EA	

EVAPORATOR AREA



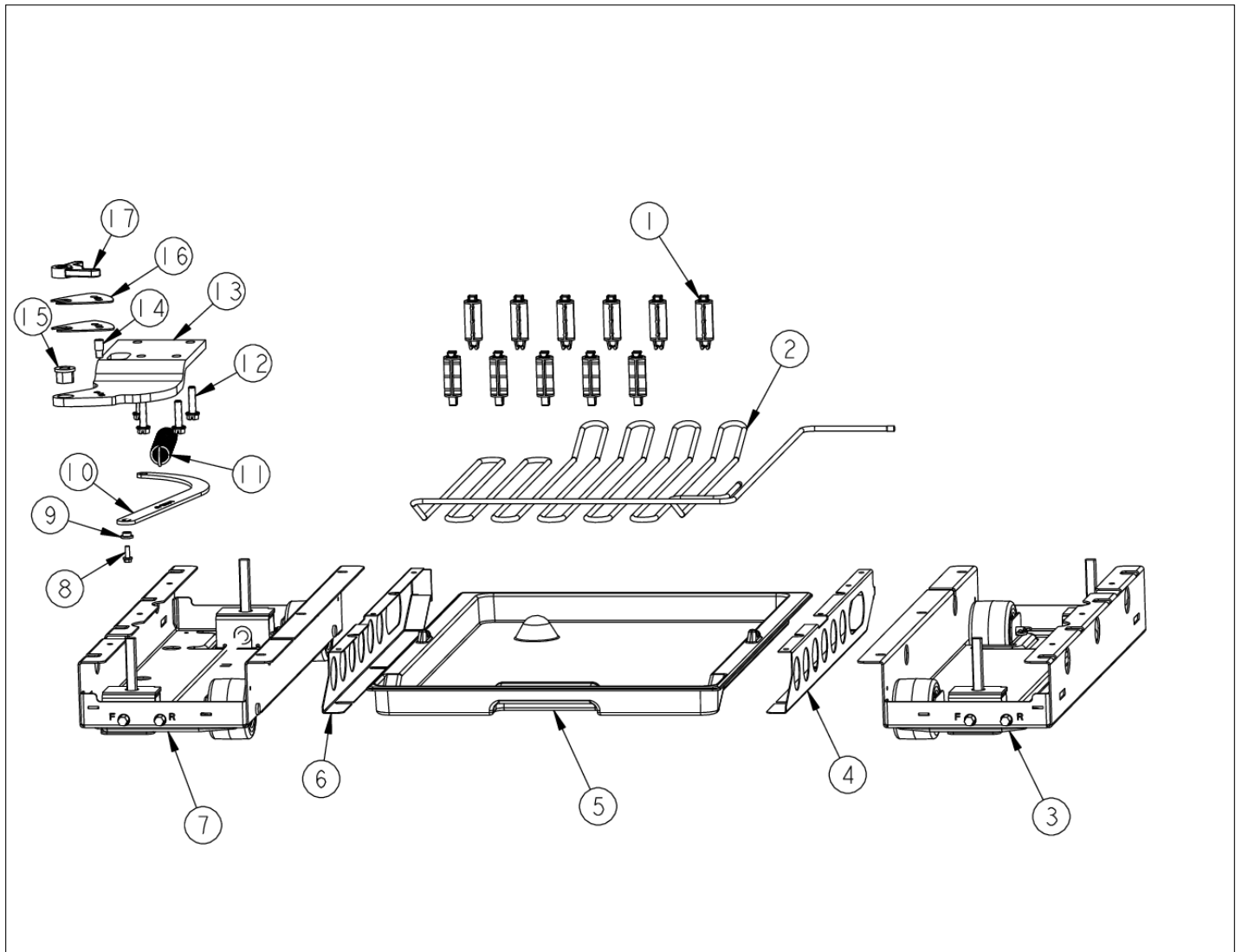
Item	Part No.	Name	Qty	Uom	NOTES
1	PK930124	WIRE, CHANNEL	1	EA	
2	PJ930025	WC - THERMISTER A2253PT22P1	1	EA	
3	PK930089	EXTRUSION - WIRE CHANNEL	1	EA	
4	PB920158	HEAT EXCHANGE TUBING - TOP WC	1	EA	
	NOTE	(USED FOR ALL THREE EVAPS)		EA	
5	F2098043	DISCHARGE TUBING	1	EA	
6	PK930088	DRAIN SHIELD - EVAP	1	EA	
7	074264-000	EVAPORATOR ASSY, WINE CELLAR, 5 SERIES E-COAT	1	EA	

INTERIOR COMPARTMENT



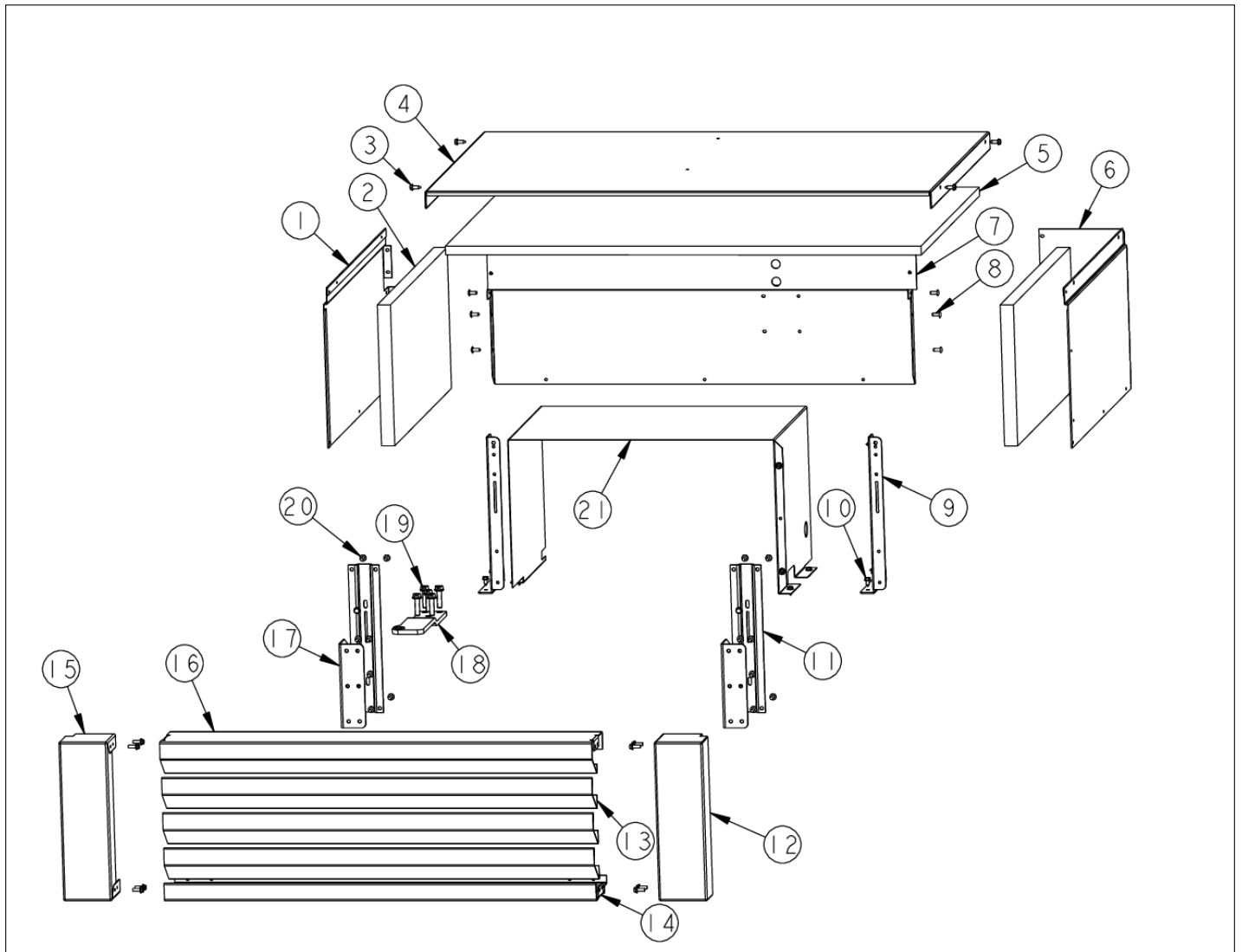
Item	Part No.	Name	Qty	Uom	NOTES
1	K2099257	SIDE SPACER - EVAP COVER, TOP LEFT		EA	
2	PB920161	DRAIN TUBE		EA	
3	K2097591	EVAP FAN COVER		EA	
4	K2097596	EVAP COVER - TOP		EA	
5	N/A	Evaporator Fan Blade		EA	
	NOTE	(ORDER ITEM 6)		EA	
6	063491-000	FAN, EVAP, ASSY		EA	
	NOTE	(INCLUDES BLADE)		EA	
7	K2098097	BAFFLE, EVAPORATOR		EA	
8	M0238859	SCREW-SHLDR		EA	
9	PD020194	SCR, HEX SRTD WSHR HD, #8-18 X 1/2		EA	
10	K2099256	SIDE SPACER - EVAP COVER, TOP RT		EA	
11	PK930088	DRAIN SHIELD - EVAP		EA	
12	K2098019	SIDE SPACER EVAP MID/BTM		EA	
13	K2097593	EVAPORATOR COVER, MID/BTM		EA	
14	K2098090	SIDE SPACER - EVAP COVER MID LT		EA	

LOWER UNIT AREA



Item	Part No.	Name	Qty	Uom	NOTES
1	12071201	CLIP-DRAIN LOOP	1	EA	
2	F2098327	WC - SERPENTINE - DRAIN	1	EA	
3	060890-000	LEVELER, MODULE, R	1	EA	
4	K2098050	GUIDE RAIL, PAN, RH	1	EA	
5	12071301	PAN, DRAIN	1	EA	
6	K2098051	GUIDE RAIL, PAN, LH	1	EA	NO LONGER AVAILABLE
7	060891-000	LEVELER, MODULE, L	1	EA	
8	M0220417	SCREW-TC	1	EA	
9	PD940094	BUSHING	1	EA	
10	PC920149	BAR-WC BOT HINGE LH	1	EA	
10	PC920166	BAR-WC BOT HINGE RH	1	EA	
11	PC910015	SPRING EXTENSION	1	EA	
12	000570-000	FASTENER, BOLT, 1/4-20 IHXWS 1" S ZN SER	1	EA	Test
13	PC920143	HINGE PLATE - WC BOT LH	1	EA	
13	PC920142	HINGE PLATE - WC BOT RH	1	EA	
14	PC920145	PIN - DOOR STOP	1	EA	
15	PD940090	BUSHING - WC DOOR LEVEL	1	EA	
16	PC920144	PLATE - WC DOOR SHIM	1	EA	
17	PD940091	BUSHING - DOOR STOP	1	EA	

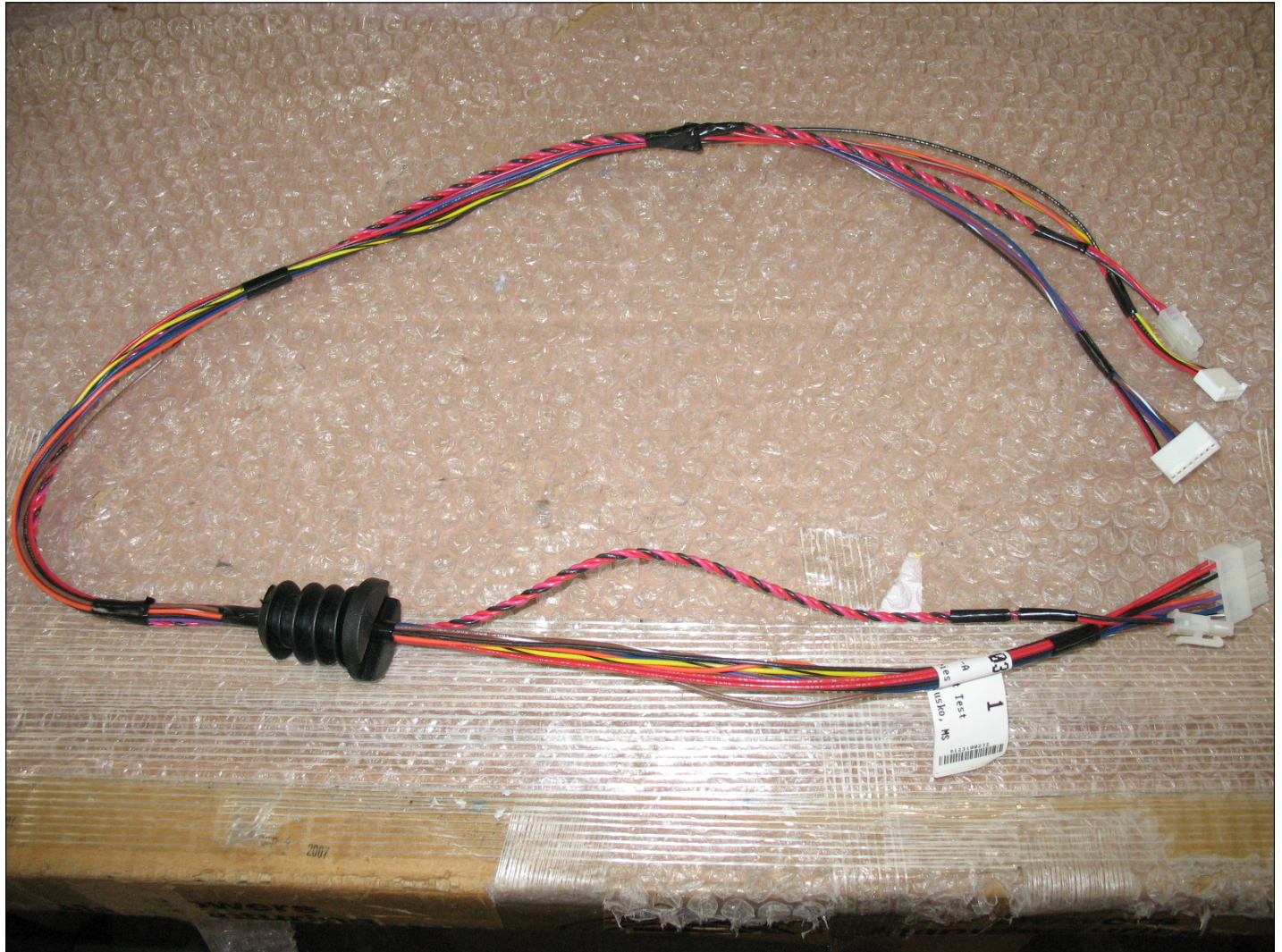
MC COVER AND UPPER GRILLE





Item	Part No.	Name	Qty	Uom	NOTES
1	K2099460	MC SIDE L	1	EA	
2	PB070346	FOAM INSULATION-LEFT SIDE	1	EA	
3	PD020194	SCR, HEX SRTD WSHR HD, #8-18 X 1/2	1	EA	
4	K2099930	MC TOP 30	1	EA	
5	PB070348	FOAM INSULATION-TOP	1	EA	
6	K2099459	MC SIDE (RIGHT)	1	EA	
7	K2099932	MC BACK 30	1	EA	
8	PC040010	POP RIVET (.063/GR -.125) GAMD42-A	1	EA	
9	K20912569	BRACKET GRILLE SUPPORT	1	EA	
10	M0211016	SCREW-SM	1	EA	
11	K20911891	GRILLE BRACKET WC	1	EA	NO LONGER AVAILABLE
12	B2097508	ENDCAP LH/RH	1	EA	
13	B2097503	LOUVER MID - 30 PRO WC	1	EA	
14	B2097504	LOUVER BOT - 30 PRO WC	1	EA	Not available online / Call for pricing and availability
15	B2097506	ENDCAP PRO LH HINGE	1	EA	
16	B2097502	LOUVER TOP - 30 PRO WC	1	EA	Not available online / Call for pricing and availability
17	B2097510	BRACKET - LOUVER	1	EA	
18	PC920131	HINGE PLATE - LH UPPER	1	EA	
18	PC920130	TOP HINGE ASSY (RH)	1	EA	
19	000570-000	FASTENER, BOLT, 1/4-20 IHXWS 1" S ZN SER	1	EA	Test
20	M0220417	SCREW-TC	1	EA	
21	K2098054	COVER - CONDENSOR COIL	1	EA	

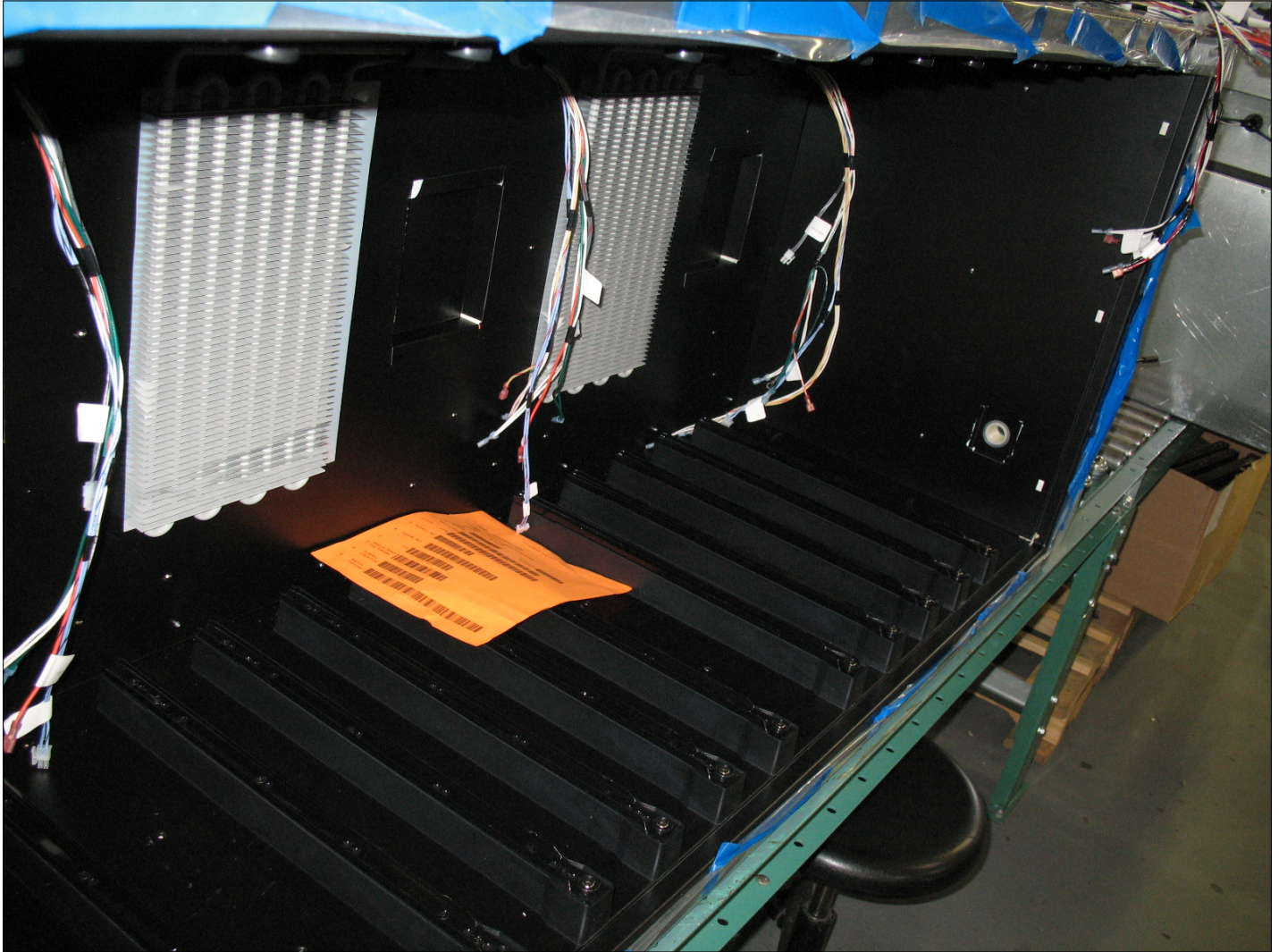
PE970333 WIRING HARNESS



Item	Part No.	Name	Qty	Uom	NOTES
1	PE970333	WIRE HARNESS ASSY WC	1	EA	
	NOTE	(AFTER SER. # 031212R10003440 - IF DISPLAY IS NEEDED)		EA	
NI	042034-000	VSD DISPLAY KIT FOR TR- 0074-SP BULLETIN	1	EA	
	NOTE	(PRIOR TO SER. # 031212R10003440)		EA	



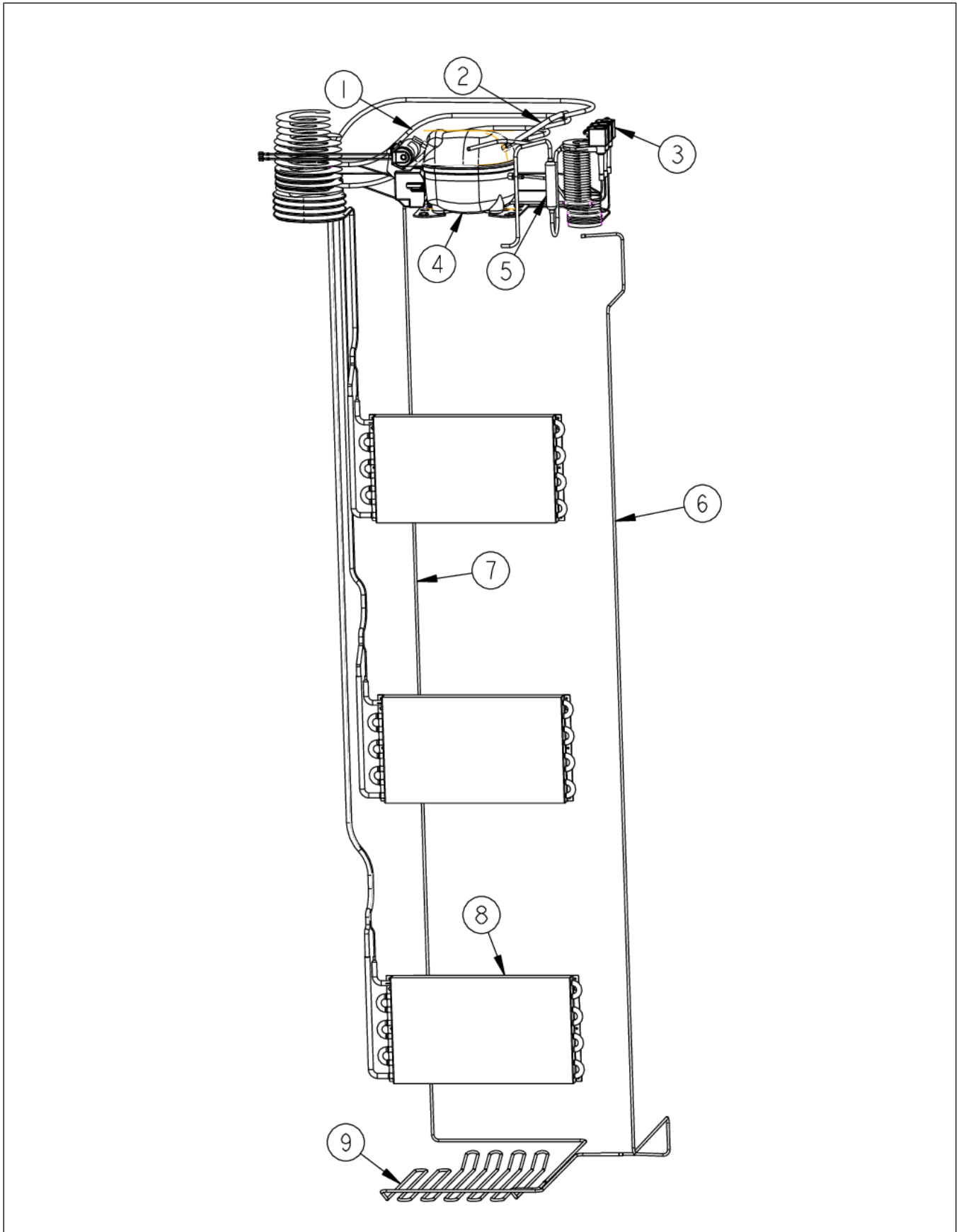
PE970427 CABINET HARNESS





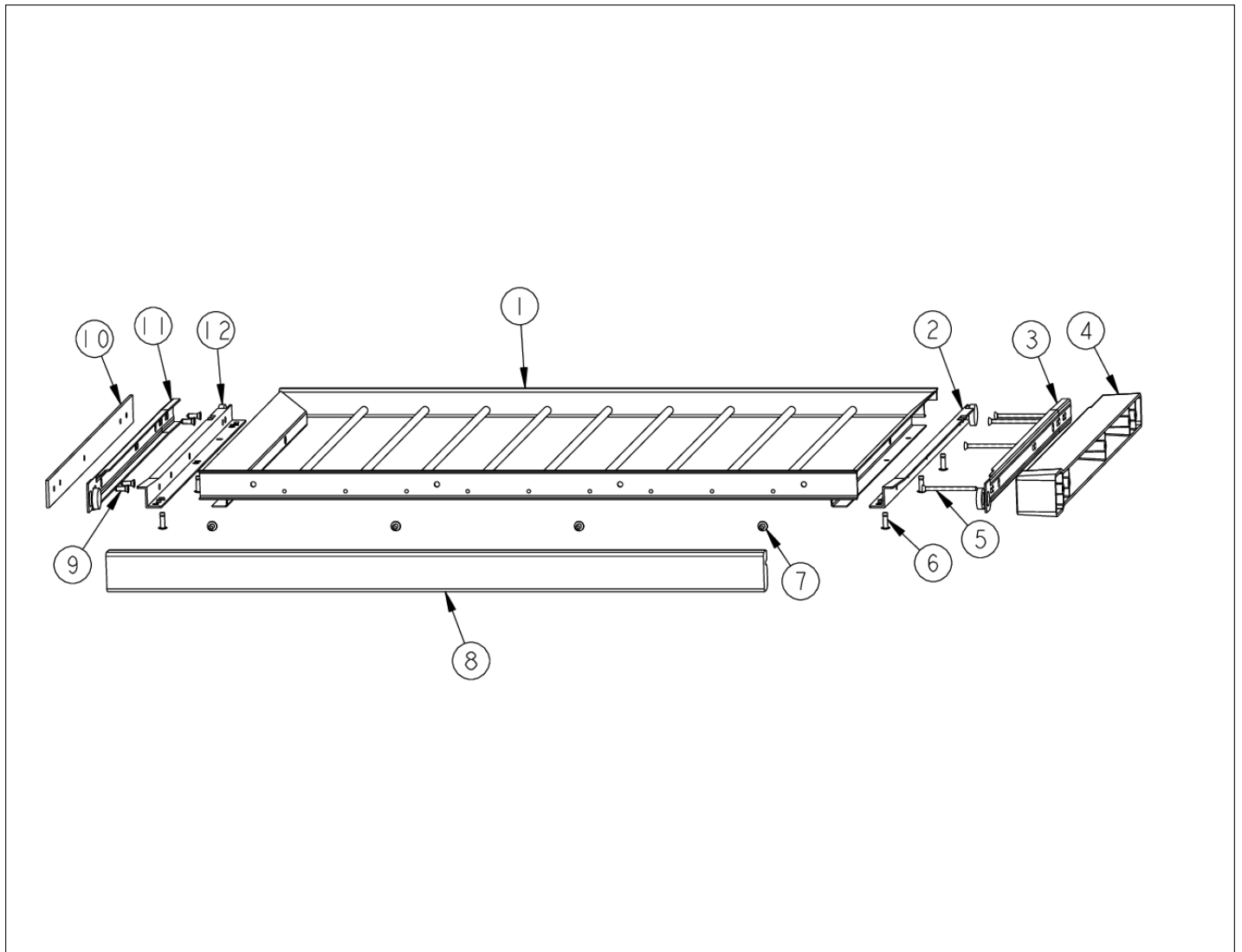
Item	Part No.	Name	Qty	Uom	NOTES
1	PE970427	CABINET WIRE HARNESS WC	1	EA	

REFRIGERANT FLOW



Item	Part No.	Name	Qty	Uom	NOTES
1	PB920158	HEAT EXCHANGE TUBING - TOP WC	1	EA	
2	PA050127	T-MANIFOLD	1	EA	
3	PJ970001	FLUID CONTROL VALVE (HV287544001 SPECIAL-104LN020ACLG)	1	EA	
4	G50915706	COMPRESSOR AND ELECTRICALS WC	1	EA	
5	PB920159	DRYER	1	EA	
6	F2098012	PC LOOP (97")	1	EA	
7	F2098043	DISCHARGE TUBING	1	EA	
8	074264-000	EVAPORATOR ASSY, WINE CELLAR, 5 SERIES E-COAT	1	EA	
9	F2098327	WC - SERPENTINE - DRAIN	1	EA	

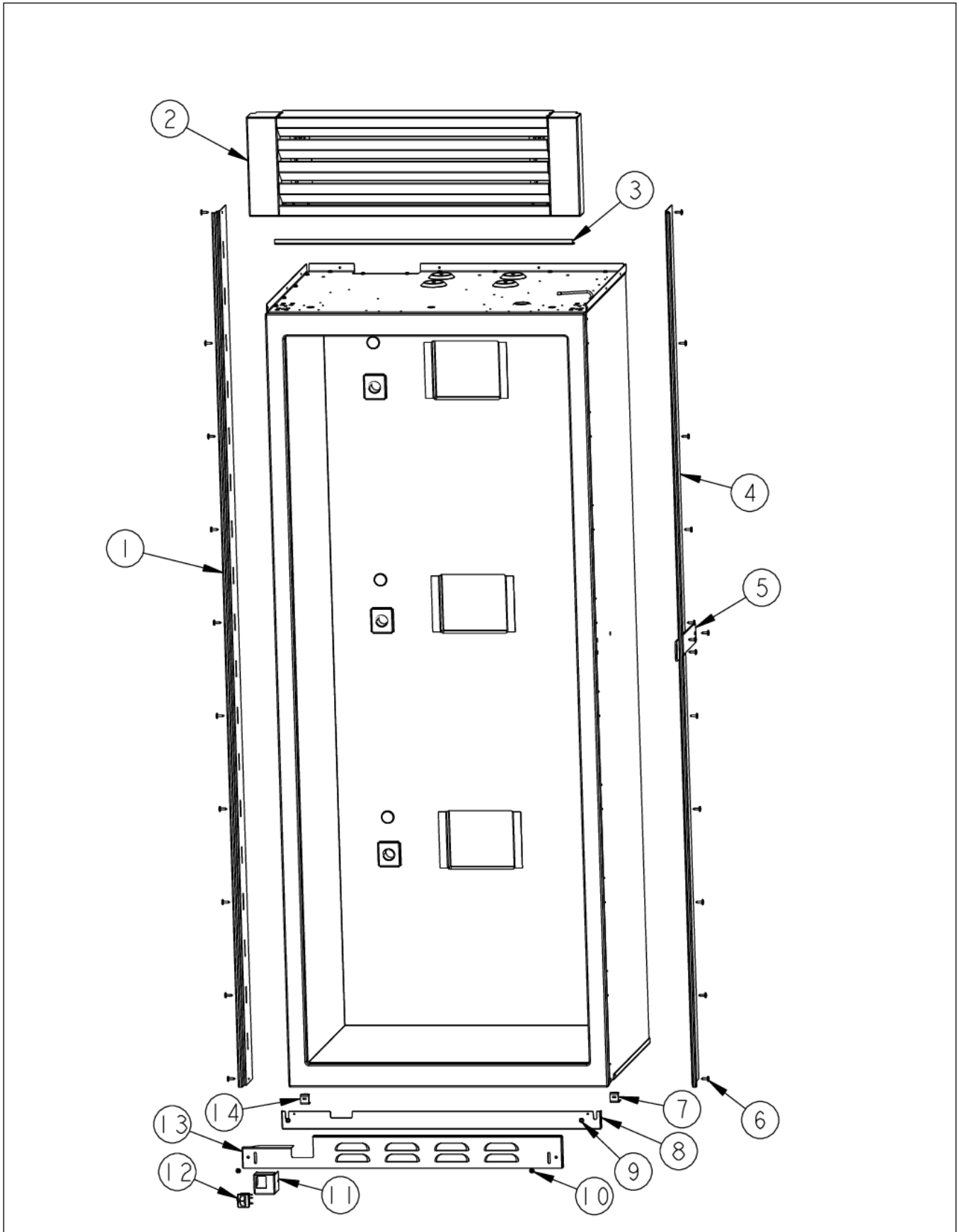
TOP - MIDDLE RACK





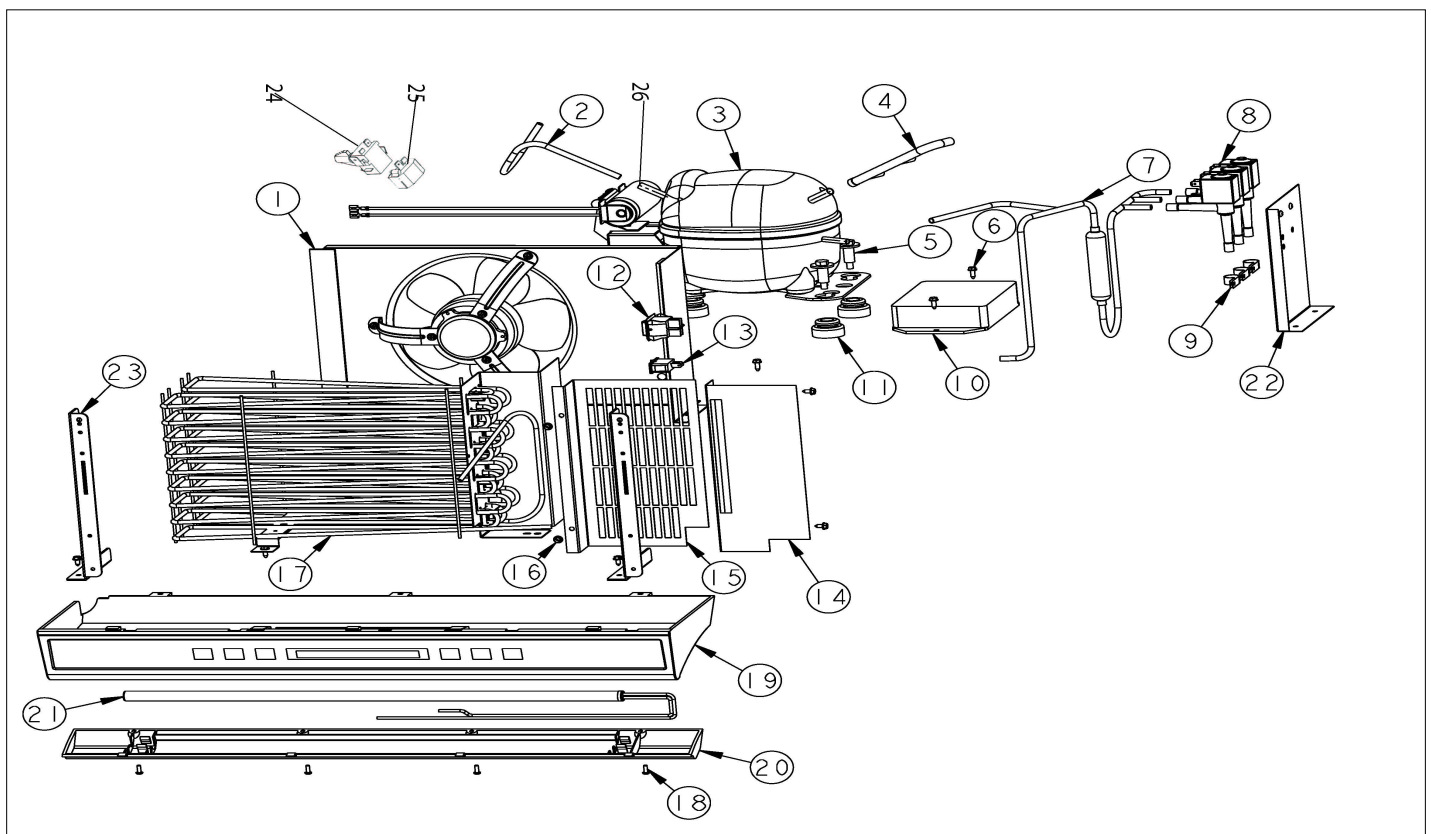
Item	Part No.	Name	Qty	Uom	NOTES
1	PM910289	WINE RACK ASSY FRAME	1	EA	Not available online / Call for pricing and availability
2	PC980001	WINE RACK SLIDE - RACK R	1	EA	
3	PK900030	WINE RACK SLIDE - CABINET R	1	EA	
4	PD940103	SPACER - WINE RACK	1	EA	
5	PD920155	FLATHEAD POINT TYPE "AB" #8-18 X 2"	1	EA	
6	PC940018	POP RIVET - 5/32 X 1/8 - 1/4 GRIP	1	EA	
7	PD020194	SCR, HEX SRTD WSHR HD, #8- 18 X 1/2	1	EA	
8	025495-000	FRONT TOP/MID RACK TOP TWO	1	EA	
9	PD920140	SCREW	1	EA	
10	PD940078	SPACER WINE RACK SLIDE .125 THICK	1	EA	
11	PK900029	WINE RACK SLIDE - CABINET L	1	EA	
12	PC980002	WINE RACK SLIDE - RACK L	1	EA	NO LONGER AVAILABLE

UNIT EXTERIOR



Item	Part No.	Name	Qty	Uom	NOTES
1	PK910123	SIDE TRIM - PRO	1	EA	
2	G3297500	GRILLE ASSY - 30 PRO WC LH	1	EA	
	NOTE	(FOR BREAKDOWN SEE PAGE 008)		EA	
NI	G3297501	GRILLE ASSY - 30 PRO WC RH	1	EA	
	NOTE	(FOR BREAKDOWN SEE PAGE 008)		EA	
3	B2097509	GRILLE - TOP TRIM	1	EA	
4	B2098350	SIDE TRIM - WC PRO LH	1	EA	
5	PC920189	STRIKE PLATE	1	EA	
6	M0210458	SCR 8-18 X 5/8 WAFER PH SMS	1	EA	
7	K2098044	BRKT GRILLE SUPPORT RH	1	EA	
8	C9098048BK	BASE GRILLE - WC BOT LH BK	1	EA	
8	C9098042BK	BASE GRILLE - WC BOT RH	1	EA	
9	40370P01	NYLON FLAT WASHER V40370P01	1	EA	
10	M0210443	SCREW-E SM VM0210443	1	EA	
11	C9098045BK	BASE GRILLE SWITCH MOUNT - LH	1	EA	
11	C9098046BK	BASE GRILLE SWITCH MOUNT - RH	1	EA	Not available online / Call for pricing and availability
12	PE950142	SWITCH EMB MODEL 602	1	EA	
13	C9098047BK	BASE GRILLE - WC TOP LH BK	1	EA	
13	C9098041BK	BASE GRILLE - WC TOP RH	1	EA	
14	K2098096	BRKT GRILLE SUPPORT LH	1	EA	
NI	G3298040	BASE GRILLE - WC LH	1	EA	
	NOTE	(INCLUDES ITEMS #8, #9, #10, #13)		EA	
NI	G3298049	BASE GRILLE - WC RH	1	EA	
	NOTE	(INCLUDES ITEMS #8, #9, #10, #13)		EA	

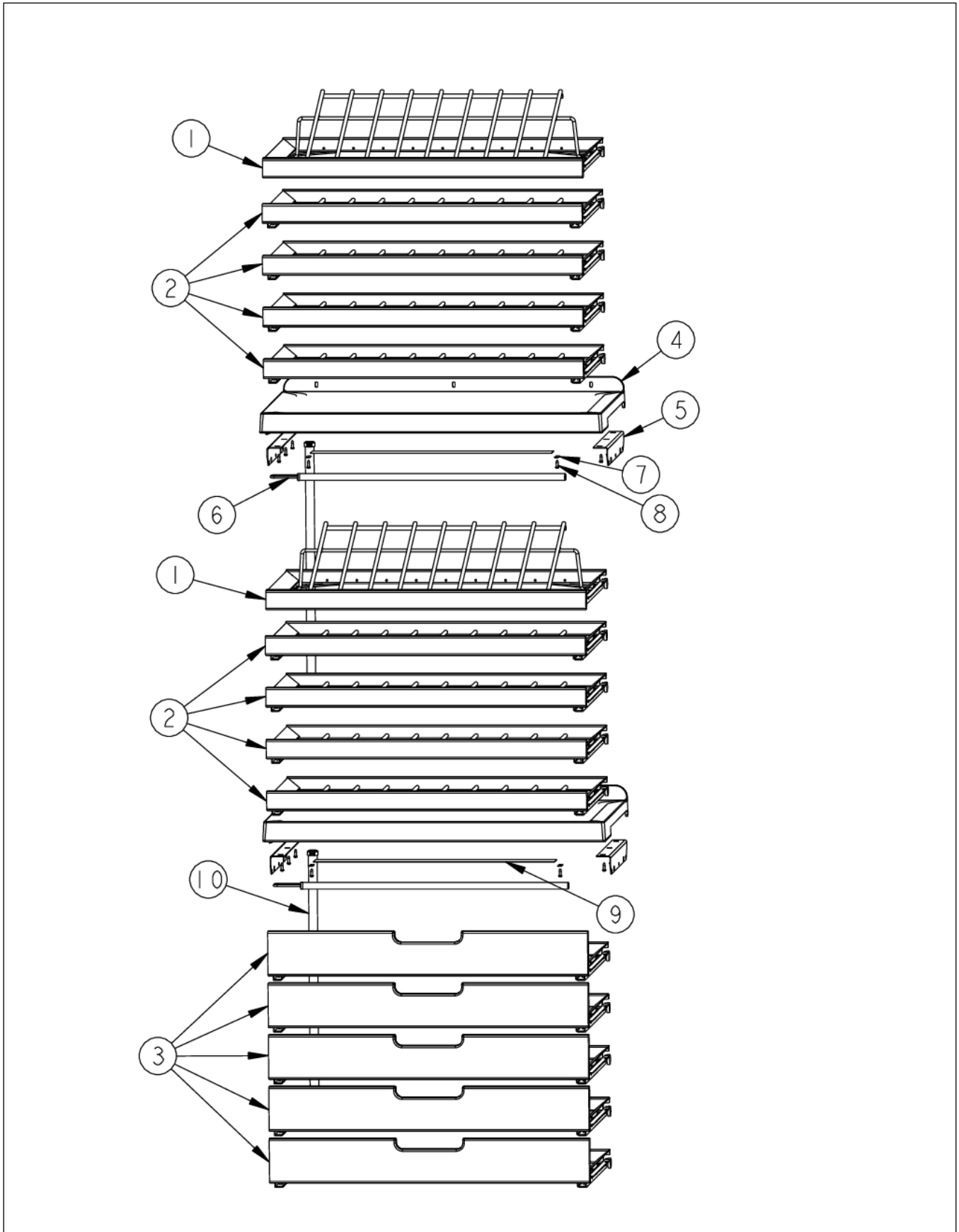
UPPER UNIT AREA



Item	Part No.	Name	Qty	Uom	NOTES
1	G5096494	COND. FAN ASSY	1	EA	
2	F2096507	TUBE-PROCESS GRN	1	EA	
3	G50915706	COMPRESSOR AND ELECTRICALS WC	1	EA	
4	PA050127	T-MANIFOLD	1	EA	
5	M0221523	SCREW - SHLDR	1	EA	
6	PD020194	SCR, HEX SRTD WSHR HD, #8-18 X 1/2	1	EA	
7	PB920159	DRYER	1	EA	
8	PJ970001	FLUID CONTROL VALVE (HV287544001 SPECIAL-104LN020ACLG)	1	EA	
9	M0102303	Clamp, Tube	1	EA	
10	PE970388	WINE CELLAR CONTROL (RC120A4294)	1	EA	
	NOTE	(AFTER SER. # 031212R10003440)		EA	
NI	042034-000	VSD DISPLAY KIT FOR TR-0074-SP BULLETIN	1	EA	
	NOTE	(PRIOR TO SER. # 031212R10003440 - IF DISPLAY IS NEEDED)		EA	
11	10835901	GROMMET RUBBER V10835901	1	EA	
12	PE950149	SWITCH POWER	1	EA	
13	PE950124	SWITCH - ROCKER	1	EA	
14	003589-000	GUARD MC WC RIGHT	1	EA	
15	003586-000	GUARD MC WC	1	EA	
16	M0211016	SCREW-SM	1	EA	
17	068353-000	CONDENSER ASM W/COPPER ENDS	1	EA	
18	PD020076	6-32 X 3/8" PHILL PAN MS	1	EA	
19	PE940169	CONTROL PANEL ASSY	1	EA	
	NOTE	FOR UNITS BUILT AFTER SERIAL 031212R10003440		EA	
	042034-000	VSD DISPLAY KIT FOR TR-0074-SP BULLETIN	1	EA	
	NOTE	FOR UNITS BUILT ON OR BEFORE SERIAL 031212R10003440		EA	

Item	Part No.	Name	Qty	Uom	NOTES
20	PK930101	HOLDER - LAMP	1	EA	Not available online / Call for pricing and availability
21	PE950116	LIGHT ASSY - AURA	1	EA	
22	K2097560	MOUNTING BRACKET FLUID CONTROL	1	EA	
23	K20912569	BRACKET GRILLE SUPPORT	1	EA	
24	PM010618	RELAY COMPR WC	1	EA	NO LONGER AVAILABLE
25	PM010617	OVERLOAD 5TM COMPR	1	EA	NO LONGER AVAILABLE
26	PM910522	CAPACITOR START COMPR WC	1	EA	

WINE CELLAR SHELVING



Item	Part No.	Name	Qty	Uom	NOTES
1	G5098397	WINE RACK ASSY COMP - ADJ	1	EA	
	NOTE	(SEE PAGE 002 FOR BREAKDOWN)		EA	
2	G3298395	WINE RACK ASM TOP / MID	1	EA	
	NOTE	(SEE PAGE 003 FOR BREAKDOWN)		EA	
3	G3298396	WINE RACK ASM BOT	1	EA	
	NOTE	(SEE PAGE 004 FOR BREAKDOWN)		EA	
4	PE940181	MULLION SHELF	1	EA	
5	C9098304BK	BRACE-MULLION	1	EA	
6	PE950116	LIGHT ASSY - AURA	1	EA	
7	B1098316	WC LAMP CLIP	1	EA	
8	PD920147	6 X 1/2 HHW S/M/S HI - LO	1	EA	
9	M027516	ALUMINUM TAPE	1	EA	Not available online / Call for pricing and availability
10	PB920161	DRAIN TUBE	1	EA	
NI	PD930105	EAR CLAMP	1	EA	Not available online / Call for pricing and availability





Appendix A:Pages Index

ADJUSTABLE WINE RACK ..... 1  
BOTTOM RACK ..... 2  
DOOR ASSEMBLY ..... 3  
EVAPORATOR AREA ..... 4  
INTERIOR COMPARTMENT ..... 5  
LOWER UNIT AREA ..... 6  
MC COVER AND UPPER GRILLE ..... 7  
PE970333 WIRING HARNESS ..... 8  
PE970427 CABINET HARNESS ..... 9  
REFRIGERANT FLOW ..... 10  
TOP - MIDDLE RACK ..... 11  
UNIT EXTERIOR ..... 12  
UPPER UNIT AREA ..... 13  
WINE CELLAR SHELVING ..... 14



Appendix B:Parts Index

000268-000	3	G32915045BR	3
000570-000	6, 7	G32915046	3
001400-000	3	G32915046BR	3
003586-000	13	G32915079	3
003589-000	13	G32915079BR	3
004245-000	2	G32915080	3
025495-000	1, 11	G32915080BR	3
025496-000	2	G3297500	12
042034-000	8, 13, 13	G3297501	12
060890-000	6	G3298040	12
060891-000	6	G3298049	12
063491-000	5	G3298395	14
068353-000	13	G3298396	14
074264-000	4, 10	G50915706	10, 13
10835901	13	G5096494	13
12071201	6	G5098397	1, 14
12071301	6	G5099007	3
40370P01	12	G5099007BR	3
B1098316	14	K20911891	7
B2097502	7	K20912569	7, 13
B2097503	7	K2097560	13
B2097504	7	K2097591	5
B2097506	7	K2097593	5
B2097508	7	K2097596	5
B2097509	12	K2098019	5
B2097510	7	K2098044	12
B2098350	12	K2098050	6
B2098666	3	K2098051	6
C9098041BK	12	K2098054	7
C9098042BK	12	K2098090	5
C9098045BK	12	K2098096	12
C9098046BK	12	K2098097	5
C9098047BK	12	K2098342	3
C9098048BK	12	K2099256	5
C9098304BK	14	K2099257	5
F2096507	13	K2099459	7
F2098012	10	K2099460	7
F2098043	4, 10	K2099930	7
F2098327	6, 10	K2099932	7
G32915045	3	M0102303	13
		M0204303	3

M0210443	12	PD930105	14
M0210458	3, 12	PD940078	1, 11
M0211016	7, 13	PD940090	6
M0220417	6, 7	PD940091	6
M0221523	13	PD940092	3
M0238859	5	PD940094	6
M027516	14	PD940103	1, 2, 11
PA050127	10, 13	PE030001PVD	3
PB070346	7	PE030173PVD	3
PB070348	7	PE930101	3
PB920158	4, 10	PE940169	13
PB920159	10, 13	PE940181	14
PB920161	5, 14	PE950116	13, 14
PB970148	3	PE950124	13
PB970233	3	PE950142	12
PC040010	7	PE950149	13
PC910015	6	PE970333	8
PC920130	7	PE970388	13
PC920131	7	PE970427	9
PC920132	3	PJ930025	4
PC920133	3	PJ970001	10, 13
PC920142	6	PK900029	1, 2, 11
PC920143	6	PK900030	1, 2, 11
PC920144	6	PK910123	12
PC920145	6	PK930088	4, 5
PC920146	3	PK930089	4
PC920147	3	PK930099	3
PC920149	6	PK930101	13
PC920166	6	PK930103	3, 3
PC920189	12	PK930124	4
PC940018	1, 2, 11	PK930155	3, 3
PC980001	1, 2, 11	PM010595	3
PC980002	1, 2, 11	PM010599	3
PD020032	3	PM010617	13
PD020076	13	PM010618	13
PD020194	1, 2, 3, 5, 7, 11, 13	PM910271	3
PD050019	3	PM910272	3
PD920140	1, 2, 11	PM910289	2, 11
PD920147	14	PM910318	3
PD920155	1, 2, 11	PM910522	13
PD920174	3		