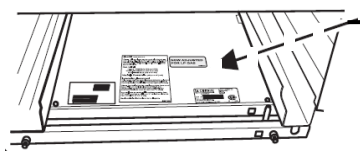
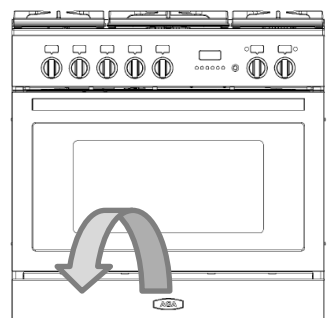


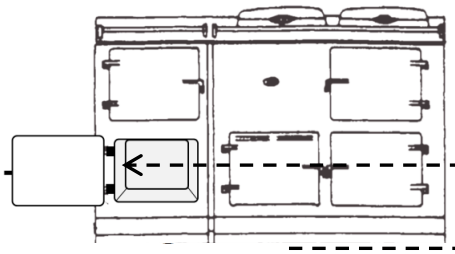
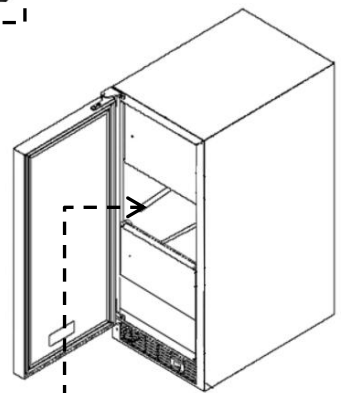
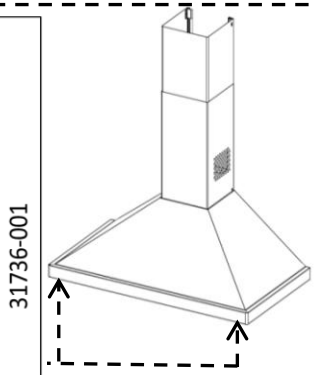
Left bottom front of liner



AGA MARVEL

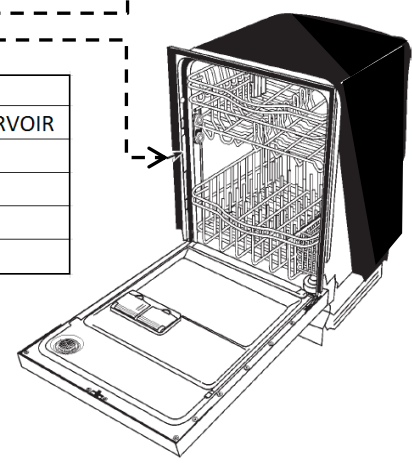
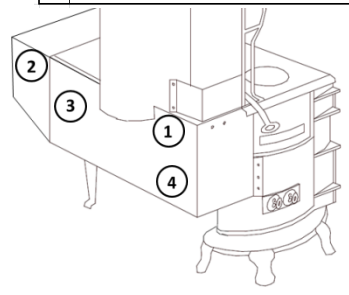
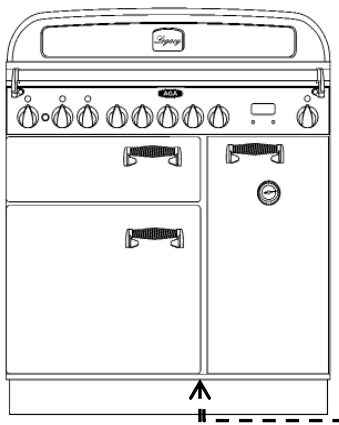
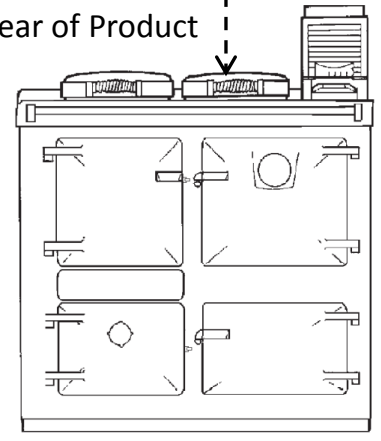
GREENVILLE, MI 48838 MADE IN USA

MODEL NO.	SERIAL NO.				
M60CSS-WS	20130627143H				
SERVICE NUMBER					
M60CSS-WS					
115 VOLTS60HZ	1 PH				
AMPS 7.0	POWER MODULE(S)				
FOR USE WITH AGA MARVEL POWER MODULE(S)	<table border="1" style="width: 100%; border-collapse: collapse;"> <tr> <td style="width: 50%;">FREEZER</td> <td style="width: 50%;">REFRIGERATOR</td> </tr> <tr> <td>NM11BF</td> <td>NM11BF</td> </tr> </table>	FREEZER	REFRIGERATOR	NM11BF	NM11BF
FREEZER	REFRIGERATOR				
NM11BF	NM11BF				



Rear of Product

- | | |
|---|-----------------------------------|
| 1 | CLASSIC II |
| 2 | OVAL/ SWEETHEART WOOD W RESERVOIR |
| 3 | OVAL WOOD W/O RESERVOIR |
| 4 | SHEETHEART WOOD W/O RESERVOIR |
| 5 | CLASSIC |
| 6 | OLDER MODELS |



Refrigeration Products



Your serial number can be found in the chiller/freezer compartment.

Dishwashers



The serial number will be located on the side of the door.

Range cooker



HANDBASTER NICKEL 100 INDUCTION STAINLESS STEEL
SER. No. 11780 001002
1 800 368 3838

Hoods



To find the serial number remove and look behind the grease filters.

Built-in ovens



The serial number will be on the front frame visible when the door is open.

Enter the product code followed by serial number.