



**IMPORTANT NOTE:**

Locate the Specification Label on unit to determine exact Model Name and electrical specifications. This information is needed to identify the correct replacement parts. See exploded view illustration(s) for Specification Label location.

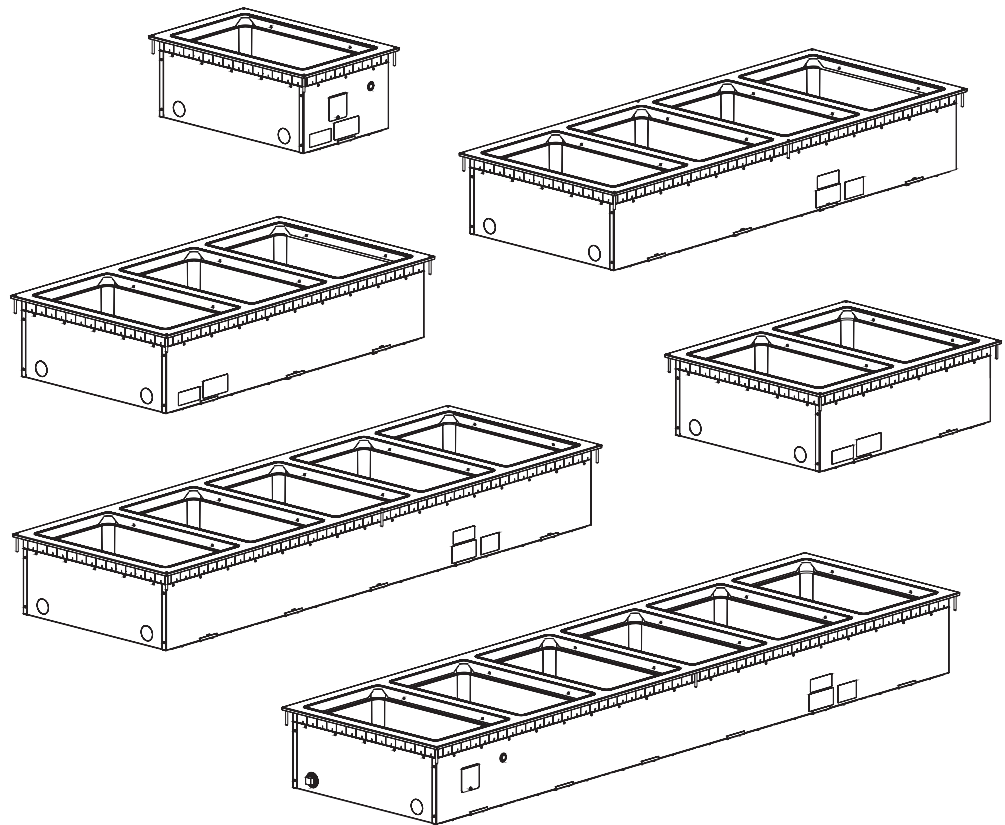


Use of replacement parts other than those supplied by Hatco Corporation may result in damage to unit or injury to personnel and will void all warranties.

# Modular Built-In Insulated Heated Wells

## HWBI Series

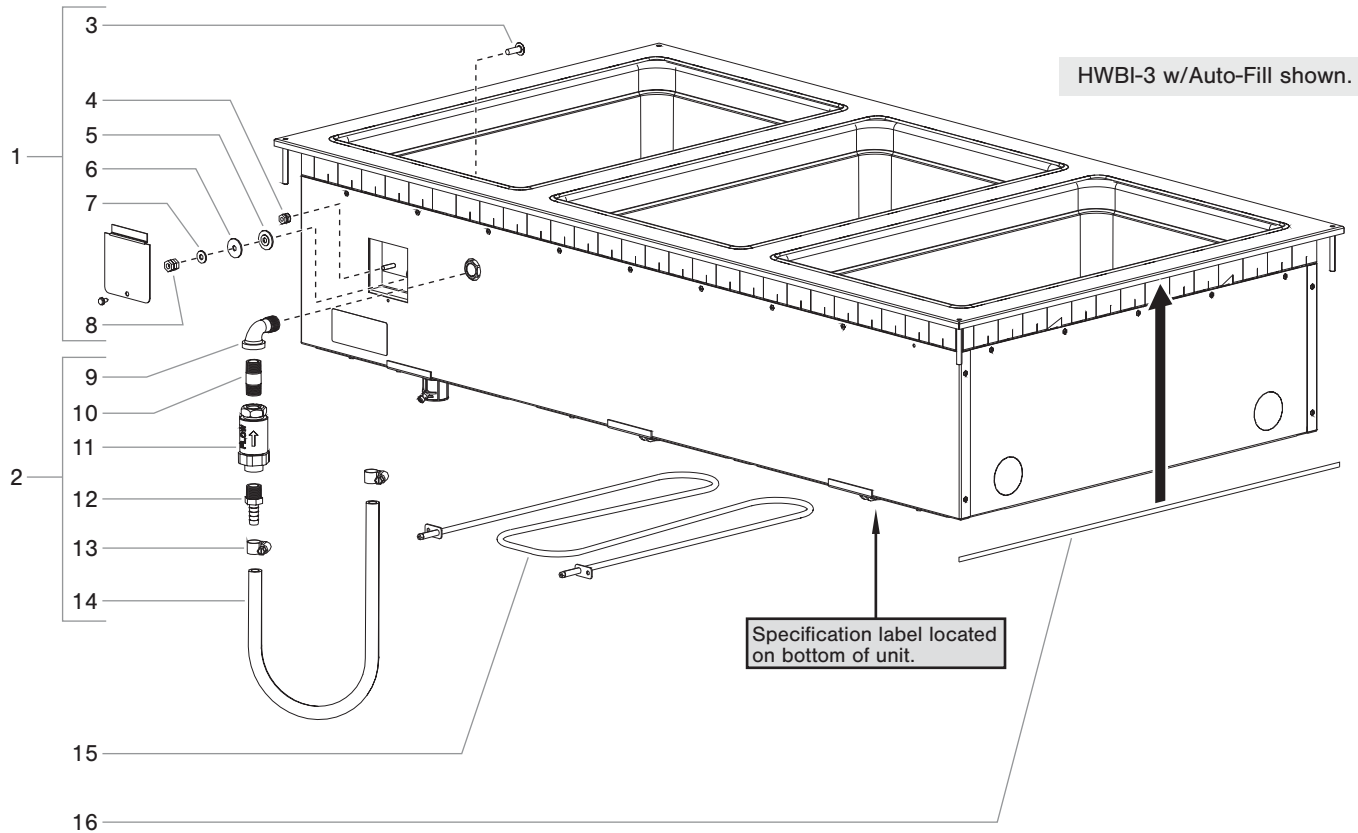
<u>Model Name</u>	<u>Page</u>	<u>Model Name</u>	<u>Page</u>
HWBI Series.....	2	Control Enclosures ....	3
HWBI43 Series.....	2		



# Replacement Parts List

# Hatco Modular Built-In Insulated Heated Wells

## HWBI and HWBI43 Series



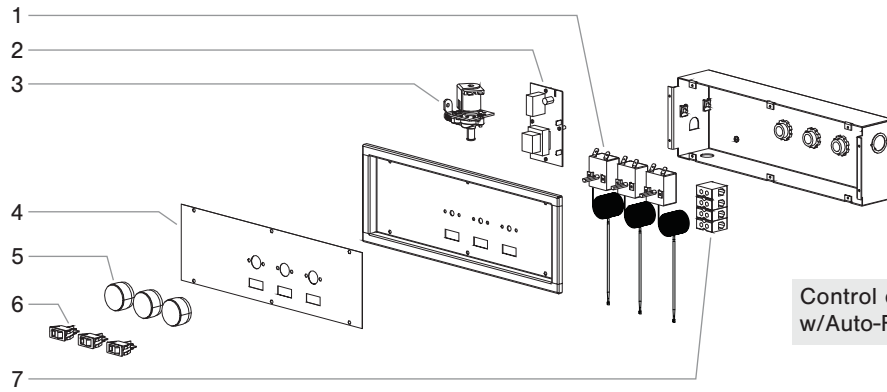
### Main Assembly

Item Description	Part No.	Qty.
1 Auto-Fill Sensor Kit (includes Items 3, 5-8)	R00.02.0047.00	1
2 Plumbing Kit (includes Items 9-14)	R03.40.103.00	1
3 Screw, Probe	05.04.532.00	1
4 Nut	05.04.064.00	2
5 Water Sensor, Inner Seal	02.01.247.00	1
6 Water Sensor, Outer Seal	02.01.248.00	1
7 Washer	05.11.005.00	1
8 Nut	05.04.377.00	3
9 Elbow, 90 Degree	03.08.001.00	1
10 Nipple, 3/8 x 1-1/2 Brass	03.11.004.00	1
11 Back-Flow Preventer Valve	03.40.103.00	1
12 Threaded Barb, 3/8	03.40.104.00	1
13 Hose Clamp	05.04.1030.00	2
14 Tubing (sold by the foot)	03.40.107.00	6

Item Description	Part No.	Qty.
15 Heating Elements		
120 V		
HWBI Models	R02.08.581.02	1-6
HWBLI Models	R02.08.581.01	1-6
208 V		
HWBI Models	R02.08.581.03	1-6
HWBI43 Models	R02.08.715.03	1-6
240 V		
HWBI Models	R02.08.581.04	1-6
HWBI43 Models	R02.08.715.04	1-6
16 Gasket (sold by the inch) *		
1 Pan	05.06.199.00	30
2 Pan	05.06.199.00	40
3 Pan	05.06.199.00	50
4 Pan	05.06.199.00	60
5 Pan	05.06.199.00	70
6 Pan	05.06.199.00	80
Wiring Diagrams		
Single Control	10-01-565	
Split Controls	10-01-549	

\* Add 5 for HWBI43 models.

## Control Enclosures



Item Description	Part No.	Qty.
1 Thermostat	02.16.131.01	1-6
2 LWCO	R02.01.210.00	1
3 Solenoid Valve		
120 V	03.02.048.00	1
240 V	03.02.048A.00	1
4 Control Label		
HWBI-1, HWBI43-1	07.03.836.00	1
HWBI-1, HWBI43-1 w/Auto-Fill	07.03.829.00	1
HWBI-2, HWBI43-2	07.03.837.00	1
HWBI-2, HWBI43-2 w/Auto-Fill	07.03.830.00	1
HWBI-3, HWBI43-3	07.03.838.00	1
HWBI-3, HWBI43-3 w/Auto-Fill	07.03.831.00	1
HWBI-4, HWBI43-4	07.03.839.00	1
HWBI-4, HWBI43-4 w/Auto-Fill	07.03.833.00	1
HWBI-5, HWBI43-5	07.03.840.00	1
HWBI-5, HWBI43-5 w/Auto-Fill	07.03.834.00	1
HWBI-6, HWBI43-6	07.03.841.00	1
HWBI-6, HWBI43-6 w/Auto-Fill	07.03.835.00	1

Item Description	Part No.	Qty.
5 Knob	05.30.020.00	1-6
6 Rocker Switch		
120 V	02.19.080.00	1-6
240 V	02.19.081.00	1-6
7 Terminal Blocks	R02.15.047.00	1

*NOTE: Quantities shown as a range (example = "1-6") are dependent upon the number of wells in a unit.*

*NOTE: The last four digits in a ten digit numerical serial number are the manufacturing date code.*

*Example: Serial number 9625061531 has a date code of "1531" which indicates the following: 1531*

└─ Week Thirty-One  
└─ Year 2015