



IMPORTANT NOTE:

Locate the Specification Label on unit to determine exact Model Name and electrical specifications. This information is needed to identify the correct replacement parts. See exploded view illustration(s) for Specification Label location.

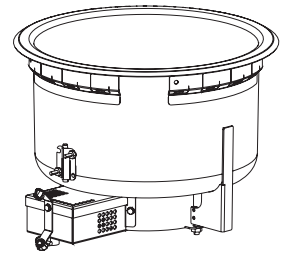
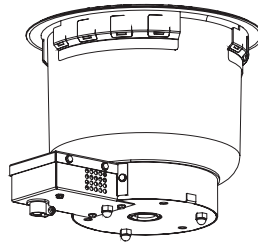
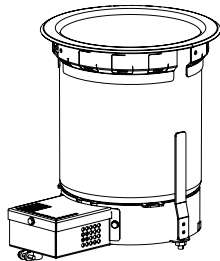
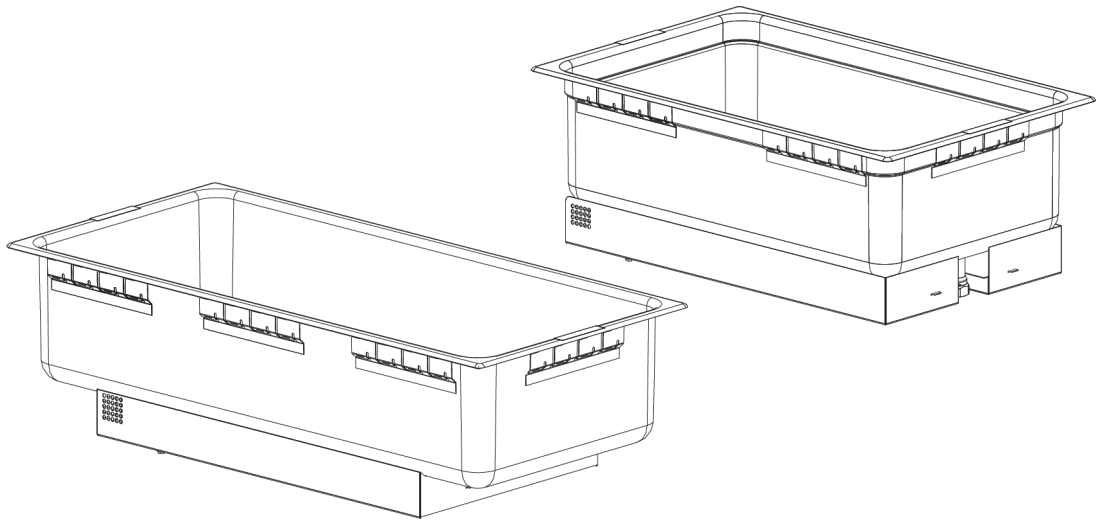


Use of replacement parts other than those supplied by Hatco Corporation will void all warranties and may result in damage to the unit or injury to personnel.

Built-In Heated Wells

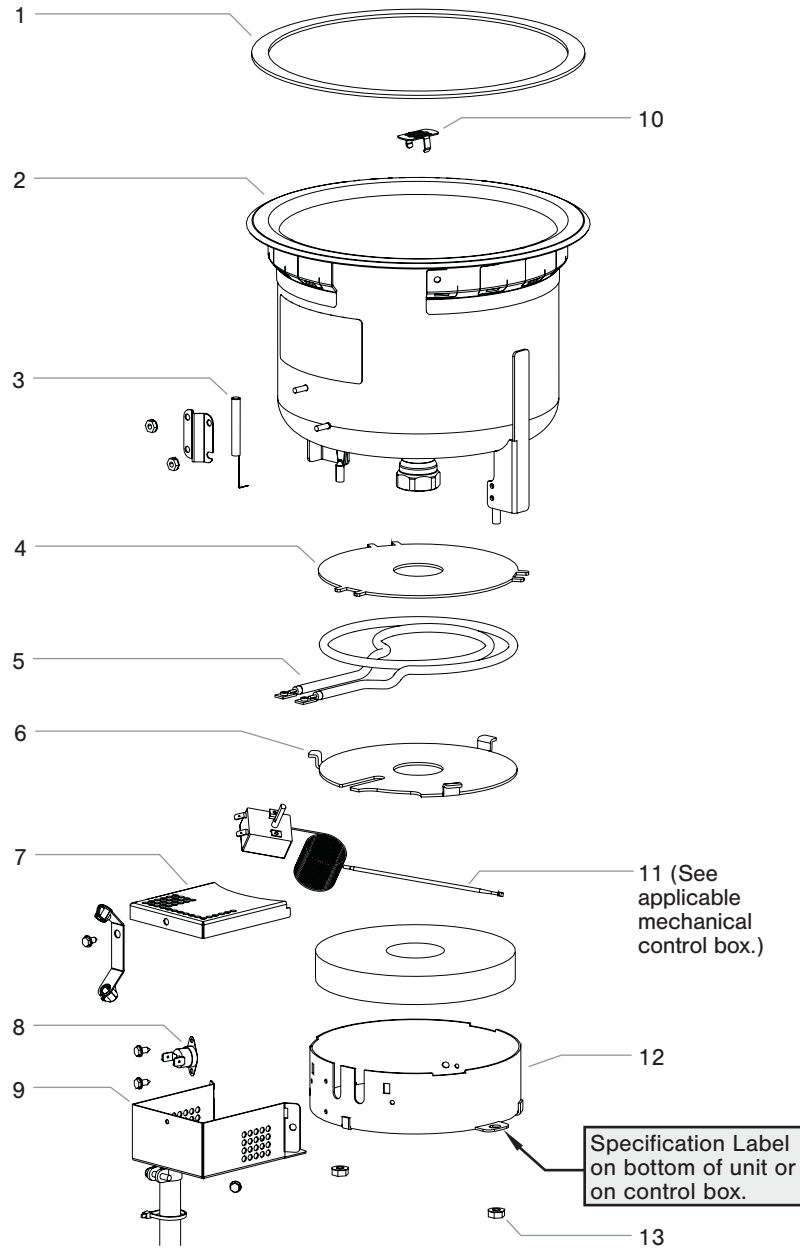
HWB Series

<u>Model Name</u>	<u>Page</u>
HWB-4QT, -7QT, and -11QT	2
HWB-FUL and HWB-43	4
HWBI-4QT, -7QT, and -11QT	6
Control Boxes.....	8-11



Replacement Parts List

**Hatco Built-In Heated wells HWB-4QT,
HWB-7QT, and HWB-11QT Models**



CAUTION

Use of replacement parts other than those supplied by Hatco Corporation may result in damage to the unit or injury to personnel and will void all warranties.

Parts for HWB-4QT, HWB-7QT, and HWB-11QT

Item Description	Part No.	Qty.	Item Description	Part No.	Qty.
1 Gasket •	05.06.046.00	1	10 Strainer	04.42.018.00	
2 Pan Assembly	Contact Factory		11 Thermostatic Control (Mechanical Control)	See Pgs. 8-11	
3 Temperature Probe, Digital Control	02.01.145.00	1	12 Element Cover		
4 Heat Sink	04.42.667.00	1	HWB-4QT	04.42.704.00	1
5 Heating Element			HWB-7 and -11QT	04.42.619.00	1
120 V, 500 W	R02.08.586.01	1	13 Nut	05.04.205.00	2
120 V, 800 W	R02.08.586.02	1	Wiring Diagram		
208/220 V, 536/600 W	R02.08.586.03	1	HWB-4, -7, and -11QT	10-01-481	
240 V, 600 W	R02.08.586.04	1	HWB-7 and -11QT w/ ITC	10-01-1100	
208/220 V, 715/800 W	R02.08.586.05	1			
240 V, 800 W	R02.08.586.06	1			
6 Element Clamp	04.42.668.00				
7 Connection Cover	04.42.603.00	1			
8 Thermostat, High Limit (infinite switch only)	02.16.140.00	1			
9 Connection Bracket	04.42.602.00	1			

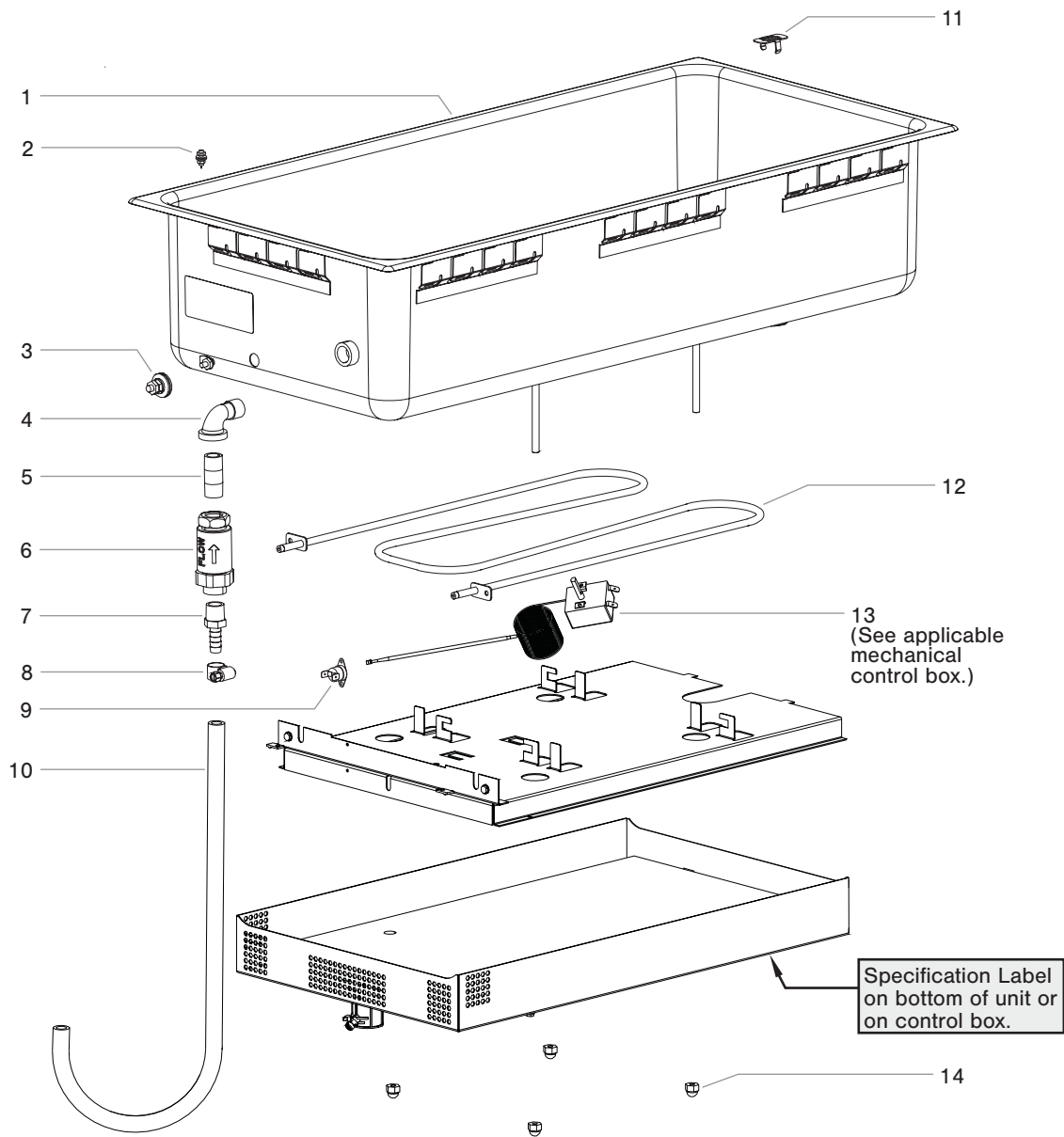
Sold by the inch: 36 needed for HWB-4QT and -7QT models; 1 48 needed for HWB-11QT.1

NOTE: The last four digits in a ten digit numerical serial number are the manufacturing date code.

Example: Serial number 9625062231 has a date code of "2231" which indicates the following: 2231

└─ Week Thirty-One
└─ Year 2022

Hatco Built-In Heated wells
HWB-FUL and HWB-43 Models



CAUTION

Use of replacement parts other than those supplied by Hatco Corporation may result in damage to the unit or injury to personnel and will void all warranties.

Parts for HWB-FUL

Item Description	Part No.	Qty.
1 Pan Assembly	Contact Factory	
2 Temperature Probe (Digital Control)	02.01.296.00	1
3 Low Water Sensor Kit †	R00.02.0047.00	1
4 Elbow †	03.08.001.00	1
5 Nipple, Brass †	03.11.004.00	1
6 Valve, Back-Flow Preventer †	03.40.103.00	1
7 Barb, Straight †	03.40.104.00	1
8 Hose Clamp †	05.04.550.00	1
9 Thermostat, High Limit (infinite switch only)	02.16.139.00	1
10 Tubing * †	03.40.107.00	1

* Sold by the foot—36 and 72 lengths are available.

† Auto-Fill parts only.

Item Description	Part No.	Qty.
11 Strainer	04.42.018.00	1
12 Heating Element		
120 V, 750 W	R02.08.581.01	1
120 V, 1200 W	R02.08.581.02	1
208 V, 1200 W	R02.08.581.03	1
240 V, 1200 W	R02.08.581.04	1
120 V, 1650 W	R02.08.581.05	1
208 V, 1650 W	R02.08.581.06	1
240 V, 1650 W	R02.08.581.07	1
220 V, 1200 W	R02.08.581.08	1
220 V, 1650 W	R02.08.581.09	1
13 Thermostatic Control (Mechanical Control)	See Pgs. 8–11	
14 Nut	05.04.210.00	3–6
Wiring Diagram		
Standard	10-01-481	
Auto-Fill	10-01-549	

Parts for HWB-43

Item Description	Part No.	Qty.
1 Pan Assembly	Contact Factory	
2 Probe, Digital Control	02.01.296.00	1
3 Low Water Sensor Kit †	R00.02.0047.00	1
4 Elbow †	03.08.001.00	1
5 Nipple, Brass †	03.11.004.00	1
6 Valve, Back-Flow Preventer †	03.40.103.00	1
7 Barb, Straight †	03.40.104.00	1
8 Hose Clamp †	05.04.550.00	1
9 Thermostat, High Limit (infinite switch only)	02.16.139.00	1
10 Tubing * †	03.40.107.00	1

* Sold by the foot—36 and 72 lengths are available.

† Auto-Fill parts only.

Item Description	Part No.	Qty.
11 Strainer	04.42.018.00	1
12 Heating Element		
120 V, 750 W	R02.08.715.01	1
120 V, 1200 W	R02.08.715.02	1
208 V, 1200 W	R02.08.715.03	1
240 V, 1200 W	R02.08.715.04	1
120 V, 1650 W	R02.08.715.05	1
208 V, 1650 W	R02.08.715.06	1
240 V, 1650 W	R02.08.715.07	1
220 V, 1200 W	R02.08.715.08	1
220 V, 1650 W	R02.08.715.09	1
13 Thermostatic Control (Mechanical Control)	See Pgs. 8–11	
14 Nut	05.04.210.00	3–6
Wiring Diagram		
Standard	10-01-481	
Auto-Fill	10-01-549	

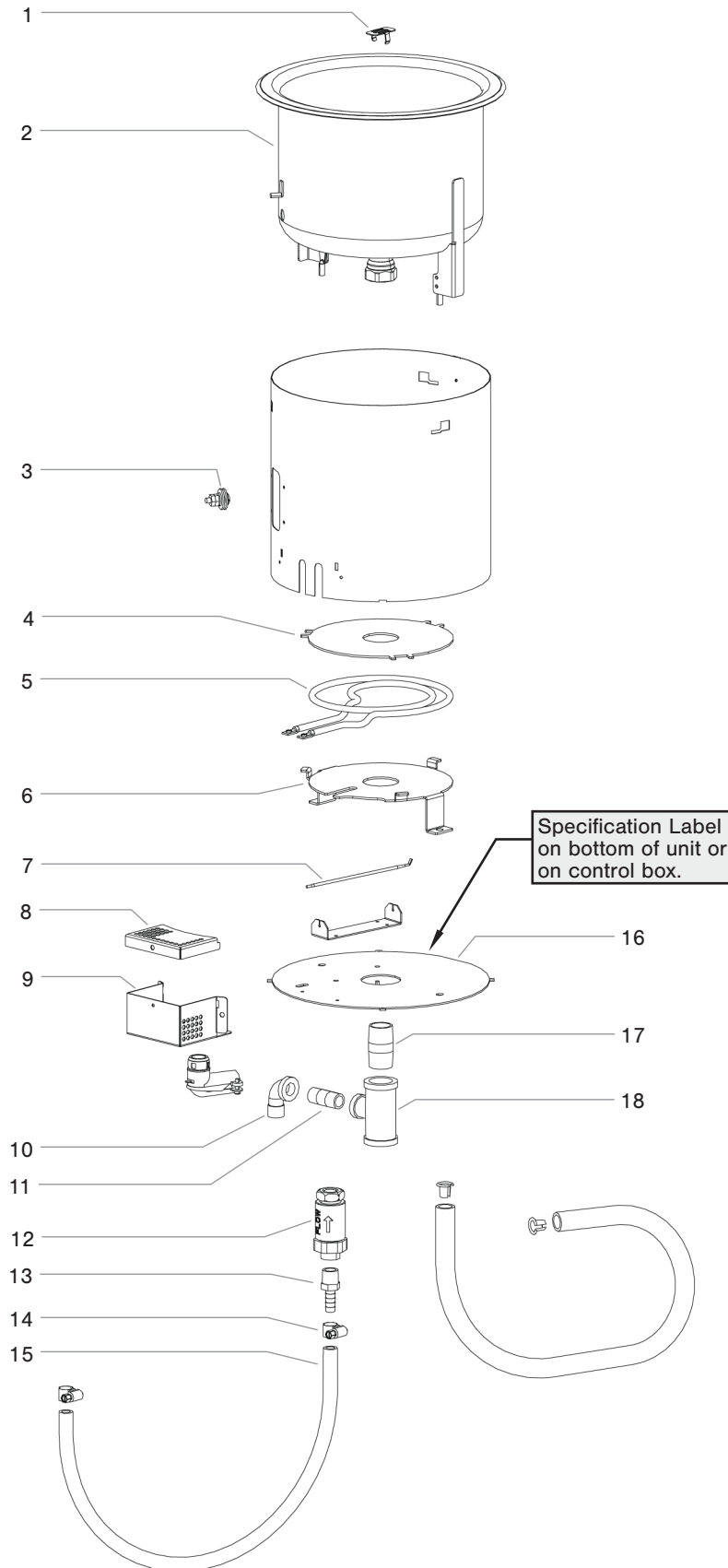
NOTE: The last four digits in a ten digit numerical serial number are the manufacturing date code.

Example: Serial number 9625062231 has a date code of "2231" which indicates the following: 2231

└─ Week Thirty-One
└─ Year 2022

Hatco Built-in Insulated Heated Wells

HWBI-4QT, -7QT, and -11QT Models



Parts for HWBI-4QT, -7QT, and -11QT

Item Description	Part No.	Qty.
1 Strainer	04.42.018.00	1
2 Pan Assembly	Contact Factory	1
3 Low Water Sensor Kit †	R00.02.0047.00	1
4 Heat Sink	04.42.667.00	1
5 Heating Element		
120 V, 500 W	R02.08.586.01	1
120 V, 800 W	R02.08.586.02	1
208/220 V, 536/600 W	R02.08.586.03	1
240 V, 600 W	R02.08.586.04	1
208/220 V, 715/800 W	R02.08.586.05	1
240 V, 800 W	R02.08.586.06	1
6 Element Clamp	04.42.668.00	1

Item Description	Part No.	Qty.
7 Thermostat Probe	02.16.131.00	1
8 Connection Cover	04.42.840.00	1
9 Connection Bracket	04.42.839.00	1
10 Elbow †	03.08.001.00	1
11 Nipple, Brass †	03.11.004.00	1
12 Valve, Back-Flow Preventer †	03.40.103.00	1
13 Barb, Straight †	03.40.104.00	1
14 Hose Clamp †	05.04.550.00	1
15 Tubing * †	03.40.107.00	1
16 Bottom Cover	04.42.934.00	1
17 Nipple, Brass †	03.11.014.00	1
18 Tee Reducer †	03.14.007.00	1
Wiring Diagram		
Standard	10-01-481	
Auto-Fill	10-01-736	

* Sold by the foot—36 and 72 lengths are available.

† Auto-Fill parts only.

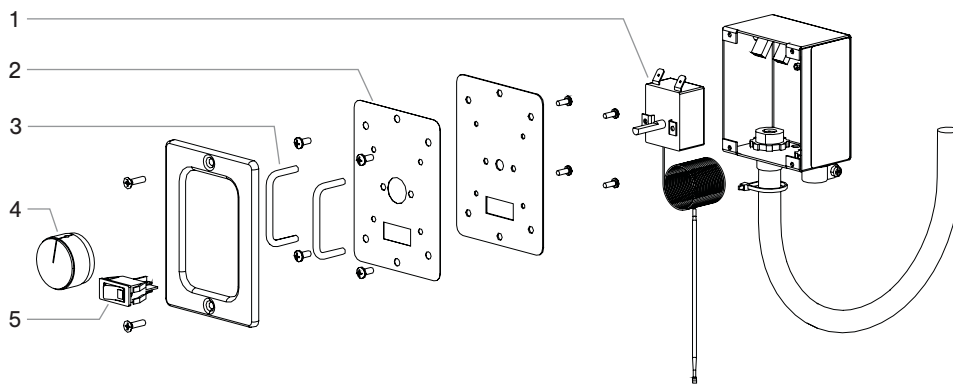
NOTE: The last four digits in a ten digit numerical serial number are the manufacturing date code.

Example: Serial number 9625062231 has a date code of "2231" which indicates the following: 2231



Use of replacement parts other than those supplied by Hatco Corporation may result in damage to the unit or injury to personnel and will void all warranties.

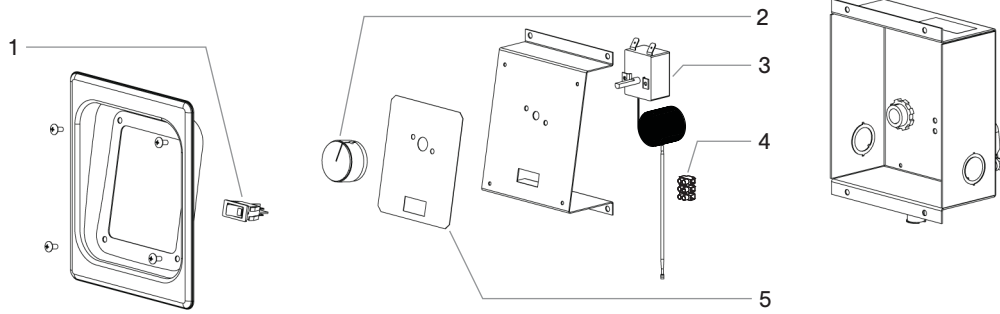
Parts for Standard Mechanical Control Box



Item Description	Part No.	Qty.
1 Thermostatic Control, 608°F		
48" Capillary	02.16.131.00	1
96" Capillary	02.16.131.01	1
2 Label, Control	07.03.513.00	1
3 Control Guard	04.42.110.00	1

Item Description	Part No.	Qty.
4 Control Knob	05.30.020.00	1
5 Rocker Switch		
120 V	02.19.080.00	1
208, 220, and 240 V	02.19.081.00	1

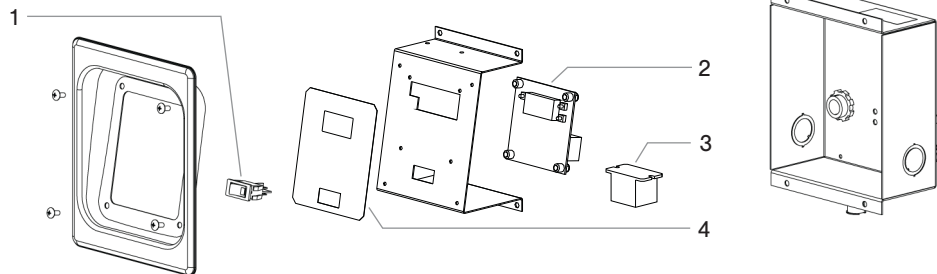
Parts for Recessed Mechanical Control Box



Item Description	Part No.	Qty.
1 Rocker Switch		
120 V	02.19.080.00	1
208, 220, and 240 V	02.19.081.00	1
2 Control Knob	05.30.020.00	1
3 Thermostatic Control, 608°F		
48" Capillary	02.16.131.00	1
96" Capillary	02.16.131.01	1

Item Description	Part No.	Qty.
4 Terminal Block	R02.15.030.00	1
5 Label, Control	07.03.494.00	1

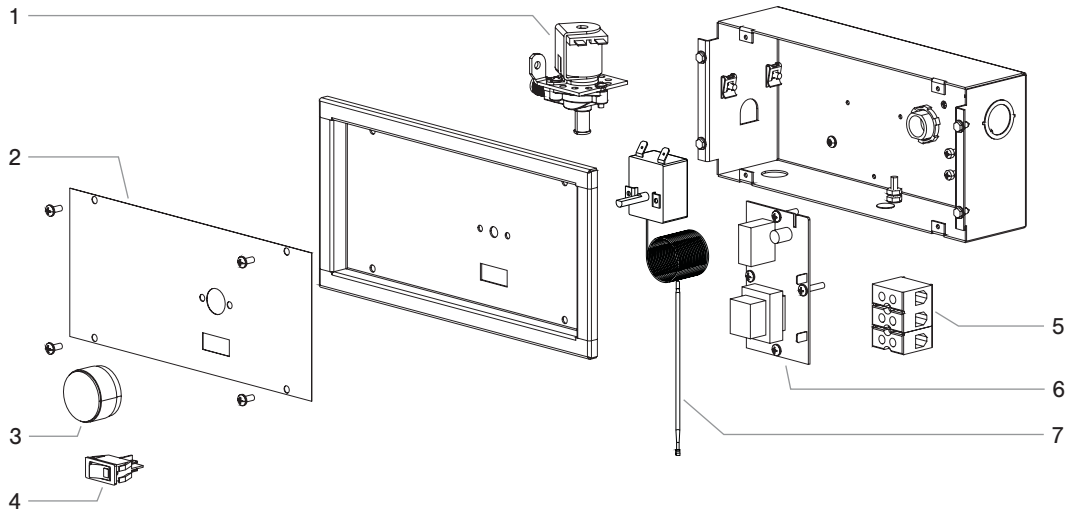
Parts for Digital Control Box



Item Description	Part No.	Qty.
1 Rocker Switch		
120 V	02.19.080.00	1
208, 220, and 240 V	02.19.081.00	1
2 Electronic Control		
120 V	02.01.222E.00	1
208, 220, and 240 V	02.01.295E.00	1

Item Description	Part No.	Qty.
3 Relay (120 V only)	02.01.088.00	1
4 Label, Control	07.01.312.00	1

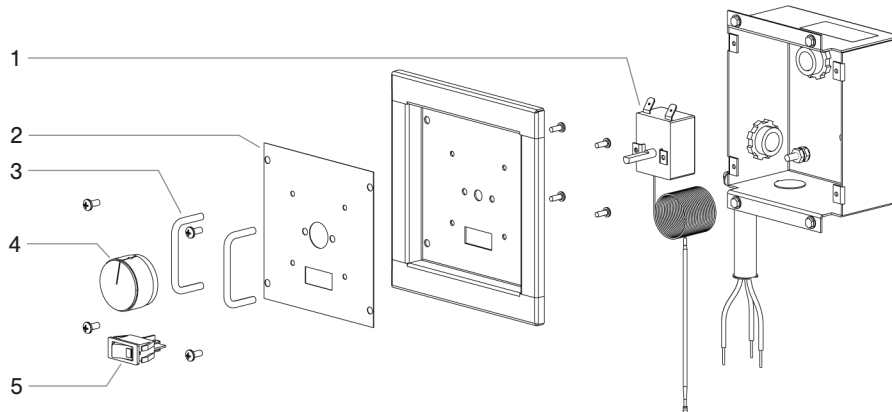
Parts for Auto-Fill Mechanical Control Box



Item Description	Part No.	Qty.
1 Solenoid Valve		
120 V	03.02.048.00	1
240 V	03.02.048A.00	1
2 Label, Control	07.03.524.00	1
3 Control Knob	05.30.020.00	1
4 Rocker Switch		
120 V	02.19.080.00	1
240 V	02.19.081.00	1

Item Description	Part No.	Qty.
5 Terminal Block	R02.15.030.00	1
6 Low Water Control Board	R02.01.210.00	1
7 Thermostatic Control, 608°F		
48" Capillary	02.16.131.00	1
96" Capillary	02.16.131.01	1

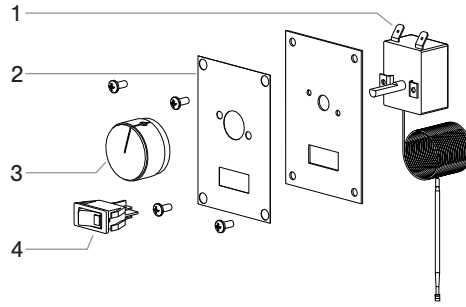
Parts for WM Mechanical Control Box



Item Description	Part No.	Qty.
1 Thermostatic Control, 608°F		
48" Capillary	02.16.131.00	1
96" Capillary	02.16.131.01	1
2 Label, Control	07.03.635.00	1
3 Control Guard	04.42.110.00	1

Item Description	Part No.	Qty.
4 Control Knob	05.30.020.00	1
5 Rocker Switch		
120 V	02.19.080.00	1
208, 220, and 240 V	02.19.081.00	1

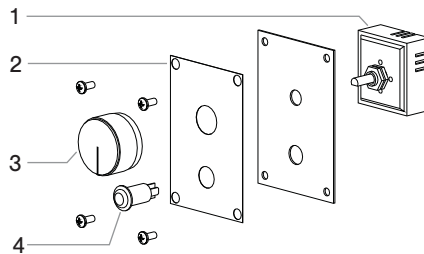
Parts for UR Thermostatic Control



Item Description	Part No.	Qty.
1 Thermostatic Control, 608°F		
48" Capillary	02.16.131.00	1
96" Capillary	02.16.131.01	1
2 Label, UR Control	07.03.510.00	1

Item Description	Part No.	Qty.
3 Control Knob	05.30.020.00	1
4 Rocker Switch		
120 V	02.19.080.00	1
208 V and 220 V	02.19.081.00	1

Parts for UR Infinite Control



Item Description	Part No.	Qty.
1 Infinite Switch		
120 V	R02.19.018.00	1
208 V	R02.19.017.00	1
240 V	R02.19.019.00	1
2 Label, UR Control	07.03.509.00	1

Item Description	Part No.	Qty.
3 Control Knob	05.30.020.00	1
4 Pilot Light		
120 V	02.19.153.00	1
240 V	02.19.152.00	1