



# Sanitizing Sink Heater

---

## *3CS Series*

3CS-3

3CS-6

3CS-4

3CS-9

---

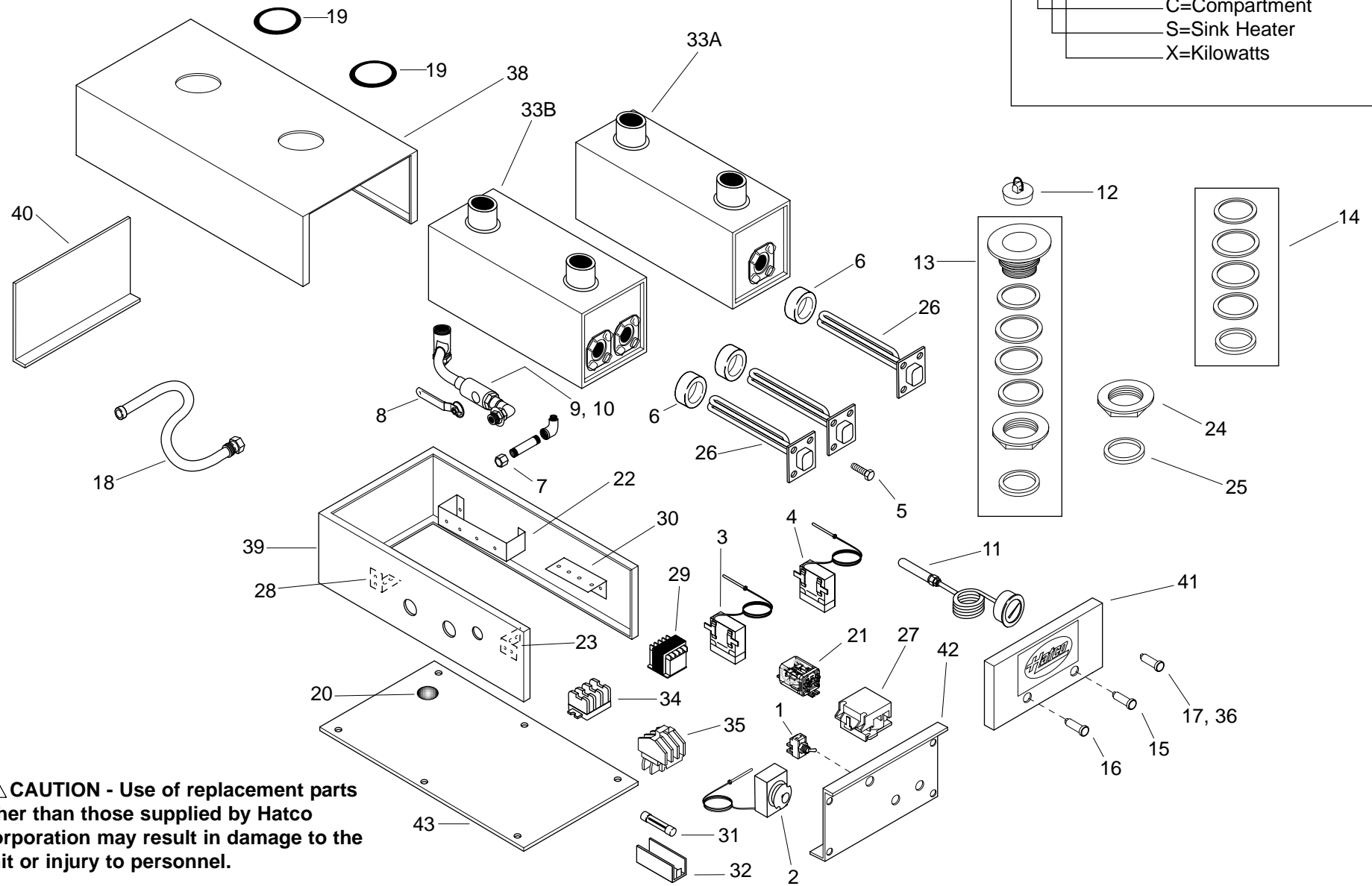
**REPLACEMENT  
PARTS LIST**

---

# HATCO 3CS SERIES SANITIZING SINK HEATERS

**Model Designation**  
3CS-X

- 3=Three
- C=Compartment
- S=Sink Heater
- X=Kilowatts



**⚠ CAUTION - Use of replacement parts other than those supplied by Hatco Corporation may result in damage to the unit or injury to personnel.**

### PARTS COMMON TO ALL 3CS MODELS

ITEM	DESCRIPTION	PART NO.	QTY.	ITEM	DESCRIPTION	PART NO.	QTY.
1	On/Off Power Switch	02.19.008A.00	1	12	Stopper, Rubber	05.06.026.00	1
2	Control, Thermostat, 192°F (89°C)	02.16.003A.00	1	13	Sink Strainer Assembly Kit	R05.30.009.00	2
3	Thermostat, Overtemp, 205°F (96°C)	02.16.004.00	1	14	Strainer Gasket Kit	R00.05.0002.00	1
4	Thermostat, At-Temp, 175°F (79°C), (optional)	02.16.004A.00	1	15	Indicator Light, Green	02.19.150.00	1
5	Mounting Bolts	05.04.062.00	4-8	16	Indicator Light, Red	02.19.151.00	1
6	Gasket, Element	05.06.005.00	1-2	17	Indicator Light, Yellow	02.19.152.00	1
7	Drain Cap, Heating Compartment	R03.40.014.00	1	18	Hose with Adaptor	05.06.010.00	1
8	Handle, Sump Drain	03.02.001B.00	1	19	Grommets, Black Molded Rubber	05.06.008.00	2
9	Ball Valve, Sweat Fitting (old style)	03.02.002.00	1	20	Drain Screen Plug, 1" (3 cm)	02.20.026.00	1
10	Ball Valve, Thread Fitting (new style)	03.02.001.00	1	21	Control Relay	R02.01.025.00	1
11	Temperature Monitor (optional)	03.01.005.00	1	22	Mounting Bracket, Thermostat (for #3 & #4)	04.20.003.00	1
				23	Mounting Bracket, Control Thermostat (for #2)	04.20.004.00	1
				24	Brass Locknut	05.30.009A.00	2
				25	Union Gasket	05.06.009.00	2

■ Shaded area in parts lists on the following pages reflects export models only.

**Note:** S.S. is an abbreviation for stainless steel on the following pages.

**PARTS SPECIFIC TO MODEL 3CS-3**

ITEM	DESCRIPTION	208V 60 Hz	240V 60 Hz	220-230V CE Single Phase 50 Hz	230-240V CE Single Phase 50 Hz	480V 60 Hz
26	Heating Element (Qty. 1)	R02.06.300.00	R02.06.301.00	R02.06.301.00	R02.06.301.00	R02.06.303.00
27	Power Relay	02.01.008.00	02.01.008.00	---	---	---
28	Mounting Bracket, Terminal Block	04.20.001.00	04.20.001.00	---	---	---
29	Transformer	---	---	---	---	R02.17.002.00
30	Mounting Bracket, Transformer	---	---	---	---	04.20.033.00
31	Fuse (AGC-1) (2 Pack)	---	---	---	---	R02.03.001.02
32	Fuse Holder	---	---	---	---	02.03.004.00
33A	Water Tank	R01.04.001.00	R01.04.001.00	R01.04.001.00	R01.04.001.00	R01.04.001.00
33B	Water Tank	---	---	---	---	---
34	Terminal Block	R02.15.003.00	R02.15.003.00	R02.15.035.00	R02.15.035.00	R02.15.003.00
35	Contactors (Qty. 1-2)	---	---	02.01.149.00	02.01.149.00	02.01.016.00
36	Indicator Light, Blue	---	---	02.19.157.00	02.19.157.00	---
37	Rubber Cover, Toggle Switch (Not Shown)	---	---	02.20.040.00	02.20.040.00	---
38	Jacket, Painted	04.06.087.00	04.06.087.00	04.06.087.00	04.06.087.00	04.06.089.00
	Jacket, S.S. (Not Shown)	04.06.088.00	04.06.088.00	04.06.088.00	04.06.088.00	04.06.090.00
39	Base, Painted	04.06.007.00	04.06.007.00	04.06.007.00	04.06.007.00	04.06.113.00
	Base, S.S. (Not Shown)	04.06.009.00	04.06.009.00	04.06.009.00	04.06.009.00	04.06.114.00
40	Rear Plate, Painted	04.06.021.00	04.06.021.00	04.06.021.00	04.06.021.00	04.06.022.00
	Rear Plate, S.S. (Not Shown)	04.06.003A.00	04.06.003A.00	04.06.003A.00	04.06.003A.00	04.06.004A.00
41	Front Cover For Two Indicator Lights	04.06.070.00	04.06.070.00	04.06.070.00	04.06.070.00	04.06.073.00
	Front Cover For One Indicator Light (Not Shown)	04.06.072.00	04.06.072.00	04.06.072.00	04.06.072.00	---
42	Base Front, Painted	04.06.076.00	04.06.076.00	04.06.076.00	04.06.076.00	04.06.081.00
	Base Front, S.S. (Not Shown)	04.06.077.00	04.06.077.00	04.06.077.00	04.06.077.00	04.06.082.00
	Base Front With Monitor Hole, Painted (Not Shown)	04.06.078.00	04.06.078.00	04.06.078.00	04.06.078.00	04.06.083.00
	Base Front With Monitor Hole, S.S. (Not Shown)	04.06.079.00	04.06.079.00	04.06.079.00	04.06.079.00	04.06.084.00
43	Bottom Cover, Painted	04.06.015.00	04.06.015.00	04.06.015.00	04.06.015.00	04.06.016.00
	Bottom Cover, S.S. (Not Shown)	04.06.017.00	04.06.017.00	04.06.017.00	04.06.017.00	04.06.018.00
	Electrical Diagram	HS1-3572	HS1-3572	HS1-4744	HS1-4744	HS1-3573

Shaded area in parts lists on the following pages reflects export models only.

**Note:** S.S. is an abbreviation for stainless steel on the following pages.

**PARTS SPECIFIC TO MODEL 3CS-4**

ITEM	DESCRIPTION	Voltage and Phase Specifications				
		208V 60 Hz	240V 60 Hz	220-230V CE Single Phase 50 Hz	230-240V CE Single Phase 50 Hz	480V 60 Hz
26	Heating Element (Qty. 1)	R02.06.450.00	R02.06.451.00	---	---	R02.06.452.00
27	Power Relay	02.01.008.00	02.01.008.00	---	---	---
28	Mounting Bracket, Terminal Block	04.20.001.00	04.20.001.00	---	---	---
29	Transformer	---	---	---	---	R02.17.002.00
30	Mounting Bracket, Transformer	---	---	---	---	04.20.033.00
31	Fuse (AGC-1) (2 Pack)	---	---	---	---	R02.03.001.02
32	Fuse Holder	---	---	---	---	02.03.004.00
33A	Water Tank	R01.04.001.00	R01.04.001.00	---	---	R01.04.001.00
33B	Water Tank	---	---	---	---	---
34	Terminal Block	R02.15.003.00	R02.15.003.00	---	---	R02.15.003.00
35	Contactors (Qty. 1-2)	---	---	---	---	02.01.016.00
36	Indicator Light, Blue	---	---	---	---	---
37	Rubber Cover, Toggle Switch (Not Shown)	---	---	---	---	---
38	Jacket, Painted	04.06.087.00	04.06.087.00	---	---	04.06.089.00
	Jacket, S.S. (Not Shown)	04.06.088.00	04.06.088.00	---	---	04.06.090.00
39	Base, Painted	04.06.007.00	04.06.007.00	---	---	04.06.113.00
	Base, S.S. (Not Shown)	04.06.009.00	04.06.009.00	---	---	04.06.114.00
40	Rear Plate, Painted	04.06.021.00	04.06.021.00	---	---	04.06.022.00
	Rear Plate, S.S. (Not Shown)	04.06.003A.00	04.06.003A.00	---	---	04.06.004A.00
41	Front Cover For Two Indicator Lights	04.06.070.00	04.06.070.00	---	---	04.06.073.00
	Front Cover For One Indicator Light (Not Shown)	04.06.072.00	04.06.072.00	---	---	---
	42	Base Front, Painted	04.06.076.00	04.06.076.00	---	---
42	Base Front, S.S. (Not Shown)	04.06.077.00	04.06.077.00	---	---	04.06.082.00
	Base Front With Monitor Hole, Painted (Not Shown)	04.06.078.00	04.06.078.00	---	---	04.06.083.00
	Base Front With Monitor Hole, S.S. (Not Shown)	04.06.079.00	04.06.079.00	---	---	04.06.084.00
43	Bottom Cover, Painted	04.06.015.00	04.06.015.00	---	---	04.06.016.00
	Bottom Cover, S.S. (Not Shown)	04.06.017.00	04.06.017.00	---	---	04.06.018.00
	Electrical Diagram	HS1-3572	HS1-3572	---	---	HS1-3573

Shaded area in parts lists on the following pages reflects export models only.

**Note:** S.S. is an abbreviation for stainless steel on the following pages.

**PARTS SPECIFIC TO MODEL 3CS-6**

ITEM	DESCRIPTION	208V	240V	220-230V CE	230-240V CE	480V
		60 Hz	60 Hz	Single Phase 50 Hz	Single Phase 50 Hz	60 Hz
26	Heating Element (Qty. 2)	R02.06.300.00	R02.06.301.00	R02.06.301.00	R02.06.301.00	R02.06.303.00
27	Power Relay	02.01.008.00	02.01.008.00	---	---	---
28	Mounting Bracket, Terminal Block	04.20.001.00	04.20.001.00	---	---	---
29	Transformer	---	---	---	---	R02.17.002.00
30	Mounting Bracket, Transformer	---	---	---	---	04.20.033.00
31	Fuse (AGC-1) (2 Pack)	---	---	---	---	R02.03.001.02
32	Fuse Holder	---	---	---	---	02.03.004.00
33A	Water Tank	---	---	---	---	---
33B	Water Tank	R01.04.002.00	R01.04.002.00	R01.04.002.00	R01.04.002.00	R01.04.002.00
34	Terminal Block	R02.15.003.00	R02.15.003.00	R02.15.035.00	R02.15.035.00	R02.15.003.00
35	Contactors (Qty. 1-2)	---	---	02.01.149.00	02.01.149.00	02.01.016.00
36	Indicator Light, Blue	---	---	02.19.157.00	02.19.157.00	---
37	Rubber Cover, Toggle Switch (Not Shown)	---	---	02.20.040.00	02.20.040.00	---
38	Jacket, Painted	04.06.087.00	04.06.087.00	04.06.087.00	04.06.087.00	04.06.089.00
	Jacket, S.S. (Not Shown)	04.06.088.00	04.06.088.00	04.06.088.00	04.06.088.00	04.06.090.00
39	Base, Painted	04.06.007.00	04.06.007.00	04.06.007.00	04.06.007.00	04.06.113.00
	Base, S.S. (Not Shown)	04.06.009.00	04.06.009.00	04.06.009.00	04.06.009.00	04.06.114.00
40	Rear Plate, Painted	04.06.021.00	04.06.021.00	04.06.021.00	04.06.021.00	04.06.022.00
	Rear Plate, S.S. (Not Shown)	04.06.003A.00	04.06.003A.00	04.06.003A.00	04.06.003A.00	04.06.004A.00
41	Front Cover For Two Indicator Lights	04.06.070.00	04.06.070.00	04.06.070.00	04.06.070.00	04.06.073.00
	Front Cover For One Indicator Light (Not Shown)	04.06.072.00	04.06.072.00	04.06.072.00	04.06.072.00	---
42	Base Front, Painted	04.06.076.00	04.06.076.00	04.06.076.00	04.06.076.00	04.06.081.00
	Base Front, S.S. (Not Shown)	04.06.077.00	04.06.077.00	04.06.077.00	04.06.077.00	04.06.082.00
	Base Front With Monitor Hole, Painted (Not Shown)	04.06.078.00	04.06.078.00	04.06.078.00	04.06.078.00	04.06.083.00
	Base Front With Monitor Hole, S.S. (Not Shown)	04.06.079.00	04.06.079.00	04.06.079.00	04.06.079.00	04.06.084.00
43	Bottom Cover, Painted	04.06.015.00	04.06.015.00	04.06.015.00	04.06.015.00	04.06.016.00
	Bottom Cover, S.S. (Not Shown)	04.06.017.00	04.06.017.00	04.06.017.00	04.06.017.00	04.06.018.00
	Electrical Diagram	HS1-3570	HS1-3570	HS1-4741	HS1-4741	HC1-580

Shaded area in parts lists on the following pages reflects export models only.

**Note:** S.S. is an abbreviation for stainless steel on the following pages.

**PARTS SPECIFIC TO MODEL 3CS-9**

ITEM	DESCRIPTION	208V	240V	220-230V CE	230-240V CE	480V
		60 Hz	60 Hz	Single Phase 50 Hz	Single Phase 50 Hz	60 Hz
26	Heating Element (Qty. 2)	R02.06.450.00	R02.06.451.00	---	---	R02.06.452.00
27	Power Relay	02.01.008.00	02.01.008.00	---	---	---
28	Mounting Bracket, Terminal Block	04.20.001.00	04.20.001.00	---	---	---
29	Transformer	---	---	---	---	R02.17.002.00
30	Mounting Bracket, Transformer	---	---	---	---	04.20.033.00
31	Fuse (AGC-1) (2 Pack)	---	---	---	---	R02.03.001.02
32	Fuse Holder	---	---	---	---	02.03.004.00
33A	Water Tank	---	---	---	---	---
33B	Water Tank	R01.04.002.00	R01.04.002.00	---	---	R01.04.002.00
34	Terminal Block	R02.15.003.00	R02.15.003.00	---	---	R02.15.003.00
35	Contactors (Qty. 1-2)	---	---	---	---	02.01.016.00
36	Indicator Light, Blue	---	---	---	---	---
37	Rubber Cover, Toggle Switch (Not Shown)	---	---	---	---	---
38	Jacket, Painted	04.06.087.00	04.06.087.00	---	---	04.06.089.00
	Jacket, S.S. (Not Shown)	04.06.088.00	04.06.088.00	---	---	04.06.090.00
39	Base, Painted	04.06.007.00	04.06.007.00	---	---	04.06.113.00
	Base, S.S. (Not Shown)	04.06.009.00	04.06.009.00	---	---	04.06.114.00
40	Rear Plate, Painted	04.06.021.00	04.06.021.00	---	---	04.06.022.00
	Rear Plate, S.S. (Not Shown)	04.06.003A.00	04.06.003A.00	---	---	04.06.004A.00
41	Front Cover For Two Indicator Lights	04.06.070.00	04.06.070.00	---	---	04.06.073.00
	Front Cover For One Indicator Light (Not Shown)	04.06.072.00	04.06.072.00	---	---	---
	Base Front, Painted	04.06.076.00	04.06.076.00	---	---	04.06.081.00
42	Base Front, S.S. (Not Shown)	04.06.077.00	04.06.077.00	---	---	04.06.082.00
	Base Front With Monitor Hole, Painted (Not Shown)	04.06.078.00	04.06.078.00	---	---	04.06.083.00
	Base Front With Monitor Hole, S.S. (Not Shown)	04.06.079.00	04.06.079.00	---	---	04.06.084.00
	Bottom Cover, Painted	04.06.015.00	04.06.015.00	---	---	04.06.016.00
43	Bottom Cover, S.S. (Not Shown)	04.06.017.00	04.06.017.00	---	---	04.06.018.00
	Electrical Diagram	HS1-3570	HS1-3570	---	---	HC1-580

Shaded area in parts lists on the following pages reflects export models only.

**Note:** S.S. is an abbreviation for stainless steel on the following pages.