



**IMPORTANT NOTE:**

Locate the Specification Label on unit to determine exact Model Name and electrical specifications. This information is needed to identify the correct replacement parts. See exploded view illustration(s) for Specification Label location.



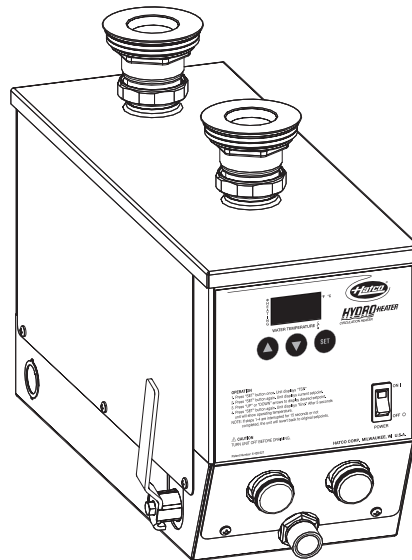
Use of replacement parts other than those supplied by Hatco Corporation may result in damage to unit or injury to personnel and will void all warranties.

# Hydro-Heater

## Sanitizing Sink Heaters

### 3CS2 Series

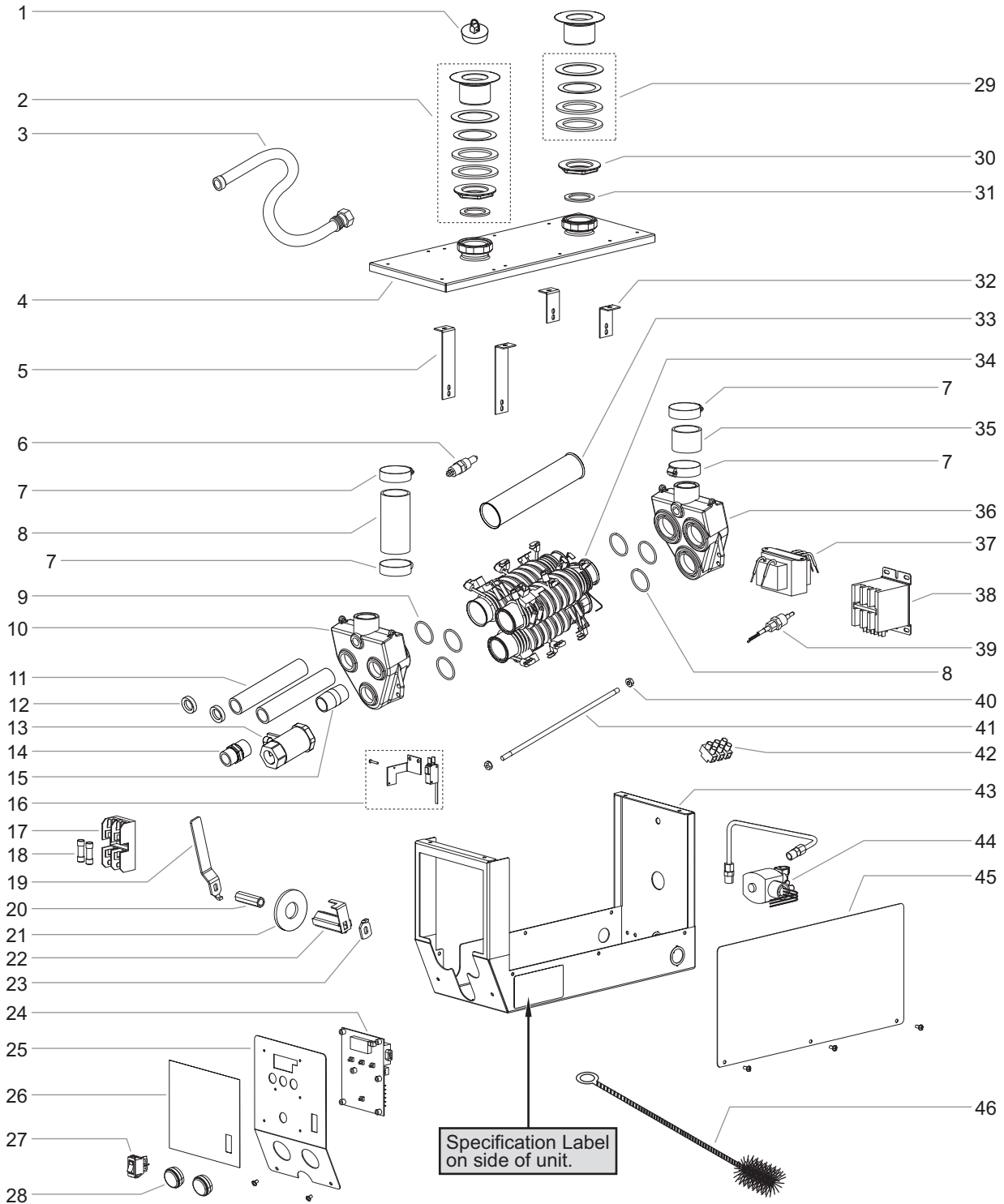
<u>Model Name</u>	<u>Page</u>	<u>Model Name</u>	<u>Page</u>
3CS2-3 .....	2	3CS2-3B .....	2
3CS2-4 .....	2	3CS2-4B .....	2
3CS2-6 .....	2	3CS2-6B .....	2
3CS2-9 .....	2	3CS2-9B .....	2



# Replacement Parts List

# Hatco Sanitizing Sink Heaters

## 3CS2 Models



### 3CS2 Models

Item	Description	Part No.	Qty.
1	1-3/8" (35 mm) Rubber Stopper	05.06.026.00	1
2	Strainer Assembly w/ Gaskets	R05.30.009.00	2
3	Flush Hose Assembly		
	3' w/ stopper kit	R05.06.010.00	1
	8' w/ stopper kit	R00.05.0003.00	1
4	Top Assembly	04.06.245.00	1
5	Front Head Strap	04.06.223.00	2
6	Probe, Low Water Cut Off	02.40.015.00	1
7	Hose Clamp, S.S. w/ Liner	03.40.061.00	4
8	Inlet Hose	03.40.062F.00	1
9	O-Ring	03.40.059.00	2-6
10	Front Head		
	3CS2-6, -6B, -9, -9B Models	R03.17.003.01	1
	3CS2-3, -3B, -4, -4B Models		
	Single Phase	R03.17.001.01	1
	Three Phase	R03.17.003.01	1
11	Pipe, Clean Out (2 or 3 element models only)	03.11.013.00	1
12	Gasket, Clean Out Cap	05.06.066.00	1
13	Ball Valve, Threaded	03.02.001.00	1
14	Brass Hose Connector w/ Shoulder	03.05.058.00	1
15	Hex Nipple, Brass, 3/4" x 3/4"	03.05.014.00	1
16	Drain Switch Kit	R02.19.162.00	1
17	Fuse Block	02.03.022.00	1
18	Fuse, 2 Amp (2 per pack)	R02.03.014.02	1
19	Handle, Ball Valve	03.02.001B.00	1
20	Hex Extension, Ball Valve	03.02.029.00	1
21	Rubber Gasket	05.06.006.00	1
22	Valve Extension, 2-7/16" (62 mm)	04.36.015.00	1
23	Stop Plate, Ball Valve	03.02.030.00	1
24	Electronic Temperature Controller		
	Date Code 0408 or newer	R02.01.189.00	1
	Date Code 0407 or older (not shown)	R02.01.165R.00	1
25	Front Control Panel		
	1 Element	04.06.252.00	1
	2 or 3 Elements	04.06.248.00	1
26	Control Label	07.03.422.00	1
27	On/Off Switch	02.19.081.00	1
28	Cap, Clean Out (w/ Gasket)	R03.40.063.00	1
29	Strainer Gasket Kit	R00.05.0002.00	1
30	Brass Locknut	05.30.009A.00	2
31	Union Gasket	05.06.009.00	1
32	Rear Head Strap	04.06.224.00	2

**NOTE:** The last four digits in a ten digit numerical serial number are the manufacturing date code.

**Example:** Serial number 9625061331 has a date code of "1331" which indicates the following: 1331

└─ Week Thirty-One  
└─ Year 2013

Item	Description	Part No.	Qty.
33	Blank Tube	R02.06.005F.00	1
34	Heating Element		
	3CS2-3, -3B, -9, -9B Models	R02.06.003F.00	1-3
	3CS2-4, -4B, -6, -6B Models		
	Single Phase	R02.06.003F.00	1-3
	Three Phase	R02.06.004F.00	1-3
35	Outlet Hose	03.40.062R.00	1
36	Rear Head		
	3CS2-6, -6B, -9, -9B Models	R03.17.004.01	1
	3CS2-3, -3B, -4, -4B Models		
	Single Phase	R03.17.002.01	1
	Three Phase	R03.17.004.01	1
37	Transformer	02.17.046.00	1
38	Contactors - 3 Pole	02.01.167.00	1
39	Temperature Probe		
	Date Code 0408 or newer	02.01.204.00	1
	Date Code 0407 or older	02.01.216.00	1
40	Keps Nut	05.04.205.00	4
41	Rod, Threaded	05.04.419.00	2
42	Terminal Block w/ Pins	R02.15.035.00	1
43	Jacket		
	Black	04.06.246.00	1
	Stainless Steel	04.06.247.00	1
	Auto-Fill, Black	04.06.259.00	1
	Auto-Fill, Stainless Steel	04.06.260.00	1
44	Solenoid Valve	03.02.033.00	1
45	Side Panel, Black	04.06.222.01	2
46	Cleaning Brush	03.40.060.00	1
47	Low Water Cut Off (not shown) (Date Code 0407 or older)	R02.01.212.00	1
	Electrical Drawing (Date Code 0408 or newer)		
	3CS2-3 and 3CS2-3B Models		
	Single Phase	HS1-5375	
	Three Phase	HS1-5376	
	3CS2-4 and 3CS2-4B Models		
	Single Phase	HS1-5375	
	Three Phase	HS1-5518	
	3CS2-6 and 3CS2-6B Models		
	Single Phase	HS1-5377	
	Three Phase	HS1-5378	
	3CS2-9 and 3CS2-9B	HS1-5378	
	Electrical Drawing (Date Code 0407 or older)		
	3CS2-3 and 3CS2-3B Models		
	Single Phase	HS1-6041	
	Three Phase	HS1-6042	
	3CS2-4 and 3CS2-4B Models		
	Single Phase	HS1-6041	
	Three Phase	HS1-6043	
	3CS2-6 and 3CS2-6B Models		
	Single Phase	HS1-6045	
	Three Phase	HS1-6044	
	3CS2-9 and 3CS2-9B	HS1-6045	