



Sanitizing Sink Heater

3CS-B (BALANCED) Series

3CS-3B

3CS-6B

3CS-4B

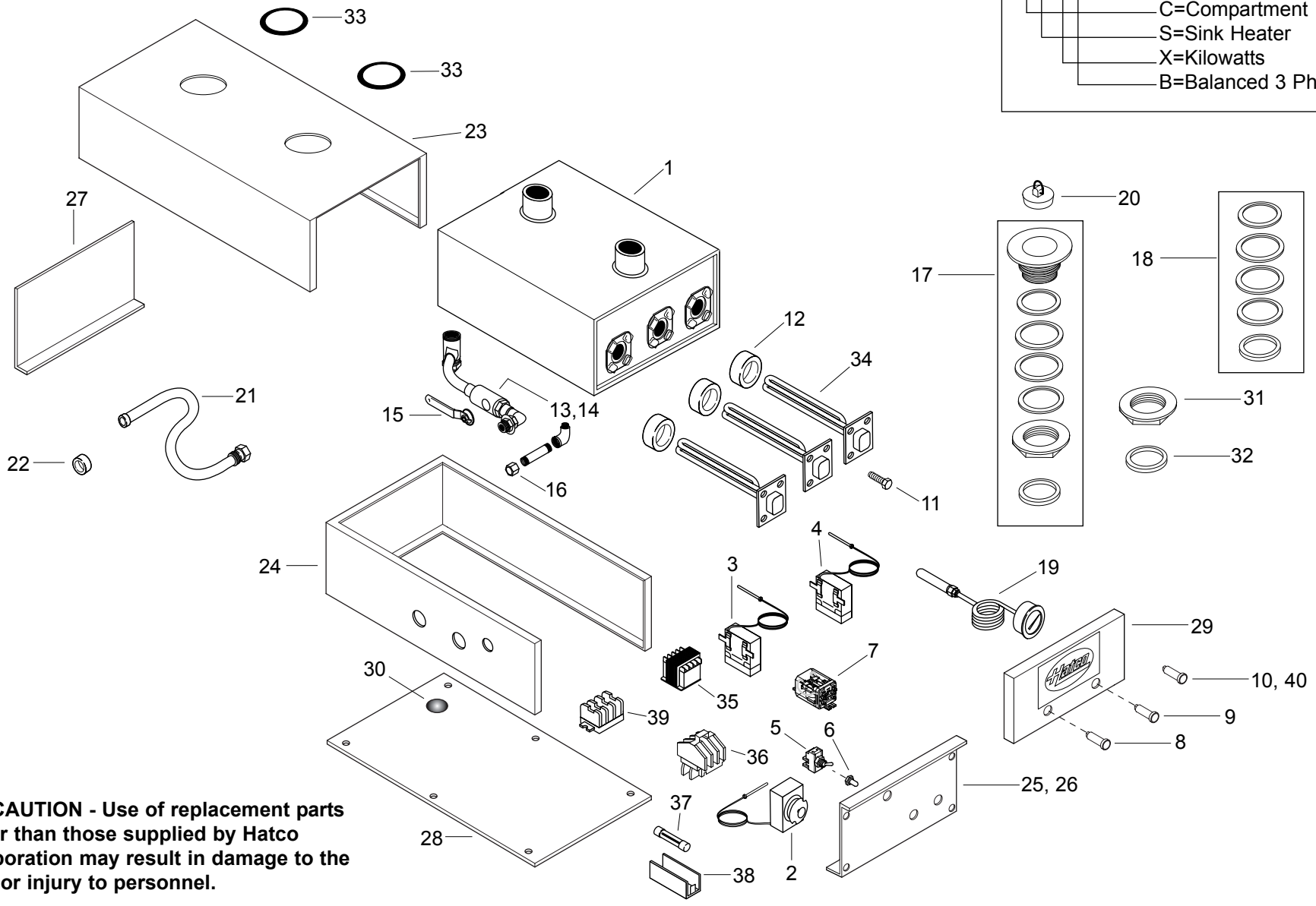
3CS-9B

**REPLACEMENT
PARTS LIST**

HATCO 3CS-B SERIES SANITIZING SINK HEATERS

Model Designation
3CS-XB

- 3=Three
- C=Compartment
- S=Sink Heater
- X=Kilowatts
- B=Balanced 3 Phase



⚠ CAUTION - Use of replacement parts other than those supplied by Hatco Corporation may result in damage to the unit or injury to personnel.

PARTS COMMON TO ALL 3CS-B MODELS

ITEM	DESCRIPTION	PART NO.	QTY.	ITEM	DESCRIPTION	PART NO.	QTY.
1	Water Tank	R01.04.006.00	1	21	Flush Hose with Adaptor	05.06.010.00	1
2	Control, Thermostat 192°F (89°C)	02.16.003A.00	1	22	Adaptor for Hose	05.06.007.00	1
3	Overtemp, Thermostat 205°F (96°C)	02.16.004.00	1	23	Jacket, Painted Jacket, S.S.*	04.06.089.00 04.06.090.00	1 1
4	At-Temp, Thermostat 175°F (79°C) (optional)	02.16.004A.00	1	24	Base, Painted Base, S.S.*	04.06.113.00 04.06.114.00	1 1
5	On/Off Power Switch	R02.19.008A.00	1	25	Base Front, Painted Base Front, S.S.*	04.06.081.00 04.06.082.00	1 1
6	Rubber Boot, Toggle Switch	02.20.040.00	1	26	Base Front With Monitor Hole, Painted	04.06.083.00	1
7	Control Relay	R02.01.025.00	1		Base Front With Monitor Hole, S.S.*	04.06.084.00	1
8	Indicator Light, Red	02.19.151.00	1	27	Rear Plate, Painted Rear Plate, S.S.*	04.06.022.00 04.06.004A.00	1 1
9	Indicator Light, Green	02.19.150.00	1	28	Bottom Cover, Painted Bottom Cover, S.S.*	04.06.016.00 04.06.018.00	1 1
10	Indicator Light, Yellow	02.19.152.00	1	29	Front Cover For Two Indicator Lights, S.S.	04.06.073.00	1
11	Mounting Bolts, Elements	05.04.062.00	12		Front Cover For Three Indicator Lights, S.S.*	04.06.074.00	1
12	Gasket, Element	05.06.005.00	3	30	Drain Screen Plug, 1" (3 cm)	02.20.026.00	1
13	Ball Valve, Thread Fitting (old style)	03.02.001.00	1	31	Brass Locknut	05.30.009A.00	2
14	Ball Valve, Sweat Fitting (new style)	03.02.002.00	1	32	Union Gasket	05.06.009.00	2
15	Handle, Sump Drain	03.02.001B.00	1	33	Grommets, Black Molded Rubber	05.06.008.00	2
16	Drain Cap, Heating Compartment	R03.40.014.00	1				
17	Sink Strainer Assembly Kit	R05.30.009.00	2				
18	Strainer Gasket Kit	R00.05.0002.00	1†				
19	Temperature Monitor (optional)	03.01.005.00	1				
20	Stopper, Rubber	05.06.026.00	1				

* Not Shown

† Includes all gaskets for both strainers

Note: S.S. is an abbreviation for stainless steel.

PARTS SPECIFIC TO MODEL 3CS-3B

ITEM	DESCRIPTION	208V	240V	380V	415V	380-415V CE	480V
		Three Phase	Three Phase	Three Phase	Three Phase	Three Phase	Three Phase
34	Heating Element (Qty. 3)	R02.06.300.00	R02.06.301.00	R02.06.452.00	R02.06.452.00	R02.06.452.00	R02.06.303.00
35	Transformer	--	---	R02.17.003.00	R02.17.002.00	R02.17.003.00	R02.17.002.00
36	Contactora (Qty. 1-2)	02.01.016.00	02.01.016.00	02.01.016.00	02.01.016.00	02.01.149.00	02.01.016.00
37	Fuse•	---	---	R02.03.001.02	R02.03.001.02	R02.03.001.02	R02.03.001.02
38	Fuse Holder	---	---	02.03.004.00	02.03.004.00	02.03.004.00	02.03.004.00
39	Terminal Block	R02.15.003.00	R02.15.003.00	R02.15.003	R02.15.003.00	R02.15.035.00	R02.15.003.00
40	Indicator Light, Blue	---	---	---	---	02.19.157.00	---
	Electrical Drawing	HS1-3578	HS1-3578	HC1-1423	HC1-1335	HS1-4698	HS1-3579

PARTS SPECIFIC TO MODEL 3CS-4B

ITEM	DESCRIPTION	208V	240V	380V	415V	380-415V CE	480V
		Three Phase	Three Phase	Three Phase	Three Phase	Three Phase	Three Phase
34	Heating Element (Qty. 3)	R02.06.450.00	R02.06.451.00	---	---	---	R02.06.452.00
35	Transformer	--	---	---	---	---	R02.17.002.00
36	Contactora (Qty. 1-2)	02.01.016.00	02.01.016.00	---	---	---	02.01.016.00
37	Fuse•	---	---	---	---	---	R02.03.001.02
38	Fuse Holder	---	---	---	---	---	02.03.004.00
39	Terminal Block	R02.15.003.00	R02.15.003.00	---	---	---	R02.15.003.00
40	Indicator Light, Blue	---	---	---	---	---	---
	Electrical Drawing	HS1-3578	HS1-3578	---	---	---	HS1-3579

Shaded area reflects export models only.

- Fuses only sold in packs of (2).

PARTS SPECIFIC TO MODEL 3CS-6B

ITEM	DESCRIPTION	208V	240V	380V	415V	380-415V CE	480V
		Three Phase	Three Phase	Three Phase	Three Phase	Three Phase	Three Phase
34	Heating Element (Qty. 3)	R02.06.301.00	R02.06.450.00	R02.06.303.00	R02.06.303.00	R02.06.303.00	R02.06.603.00
35	Transformer	--	---	R02.17.003.00	R02.17.002.00	R02.17.003.00	R02.17.002.00
36	Contactora (Qty. 1-2)	02.01.016.00	02.01.016.00	02.01.016.00	02.01.016.00	02.01.149.00	02.01.016.00
37	Fuse•	---	---	R02.03.001.02	R02.03.001.02	R02.03.001.02	R02.03.001.02
38	Fuse Holder	---	---	02.03.004.00	02.03.004.00	02.03.004.00	02.03.004.00
39	Terminal Block	R02.15.003.00	R02.15.003.00	R02.15.003.00	R02.15.003.00	R02.15.035.00	R02.15.003.00
40	Indicator Light, Blue	---	---	---	---	02.19.157.00	---
	Electrical Drawing	HS1-3574	HS1-3575	HC1-1423	HC1-1988	HS1-4701	HS1-3576

PARTS SPECIFIC TO MODEL 3CS-9B

ITEM	DESCRIPTION	208V	240V	380V	415V	380-415V CE	480V
		Three Phase	Three Phase	Three Phase	Three Phase	Three Phase	Three Phase
34	Heating Element (Qty. 3)	R02.06.300.00	R02.06.301.00	R02.06.452.00	R02.06.301.00	R02.06.452.00	R02.06.303.00
35	Transformer	--	---	R02.17.003.00	R02.17.002.00	R02.17.003.00	R02.17.002.00
36	Contactora (Qty. 1-2)	02.01.016.00	02.01.016.00	02.01.016.00	02.01.016.00	02.01.149.00	02.01.016.00
37	Fuse•	---	---	R02.03.001.02	R02.03.001.02	R02.03.001.02	R02.03.001.02
38	Fuse Holder	---	---	02.03.004.00	02.03.004.00	02.03.004.00	02.03.004.00
39	Terminal Block	R02.15.003.00	R02.15.003.00	R02.15.003.00	R02.15.003.00	R02.15.035.00	R02.15.003.00
40	Indicator Light, Blue	---	---	---	---	02.19.157.00	---
	Electrical Drawing	HS1-3568	HS1-3568	HC1-1423	HC1-1335	HS1-4690	HS1-3569

Shaded area reflects export models only.

- Fuses only sold in packs of (2).