



IMPORTANT NOTE:

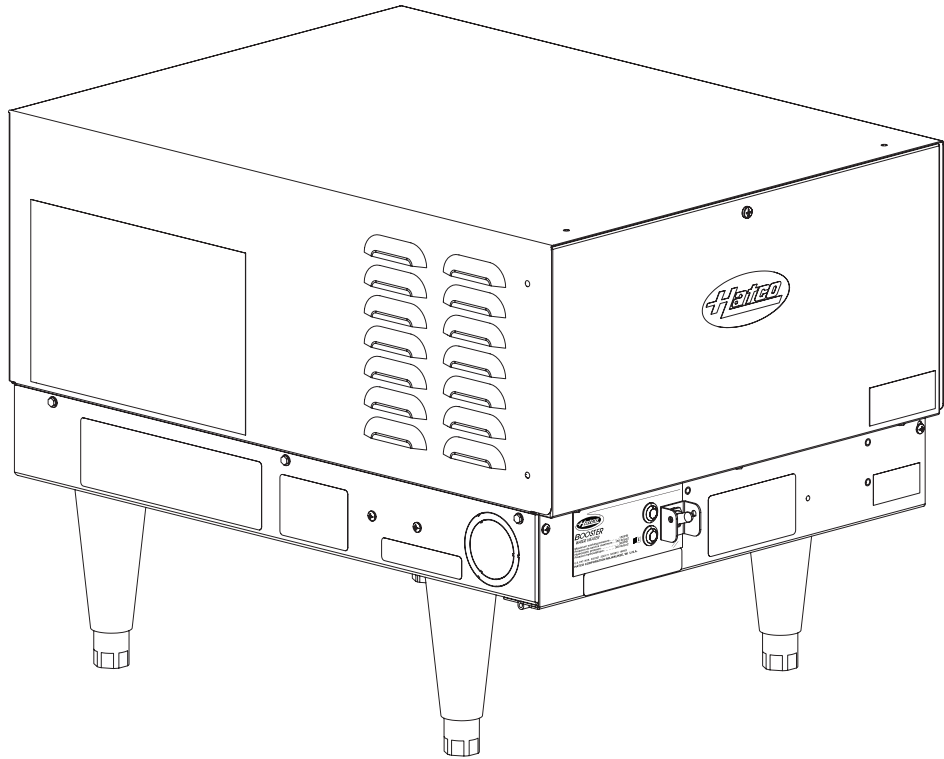
Locate the Specification Label on unit to determine exact Model Name and electrical specifications. This information is needed to identify the correct replacement parts. See exploded view illustration(s) for Specification Label location.



Use of replacement parts other than those supplied by Hatco Corporation may result in damage to unit or injury to personnel and will void all warranties.

Compact Booster Electric Water Heaters

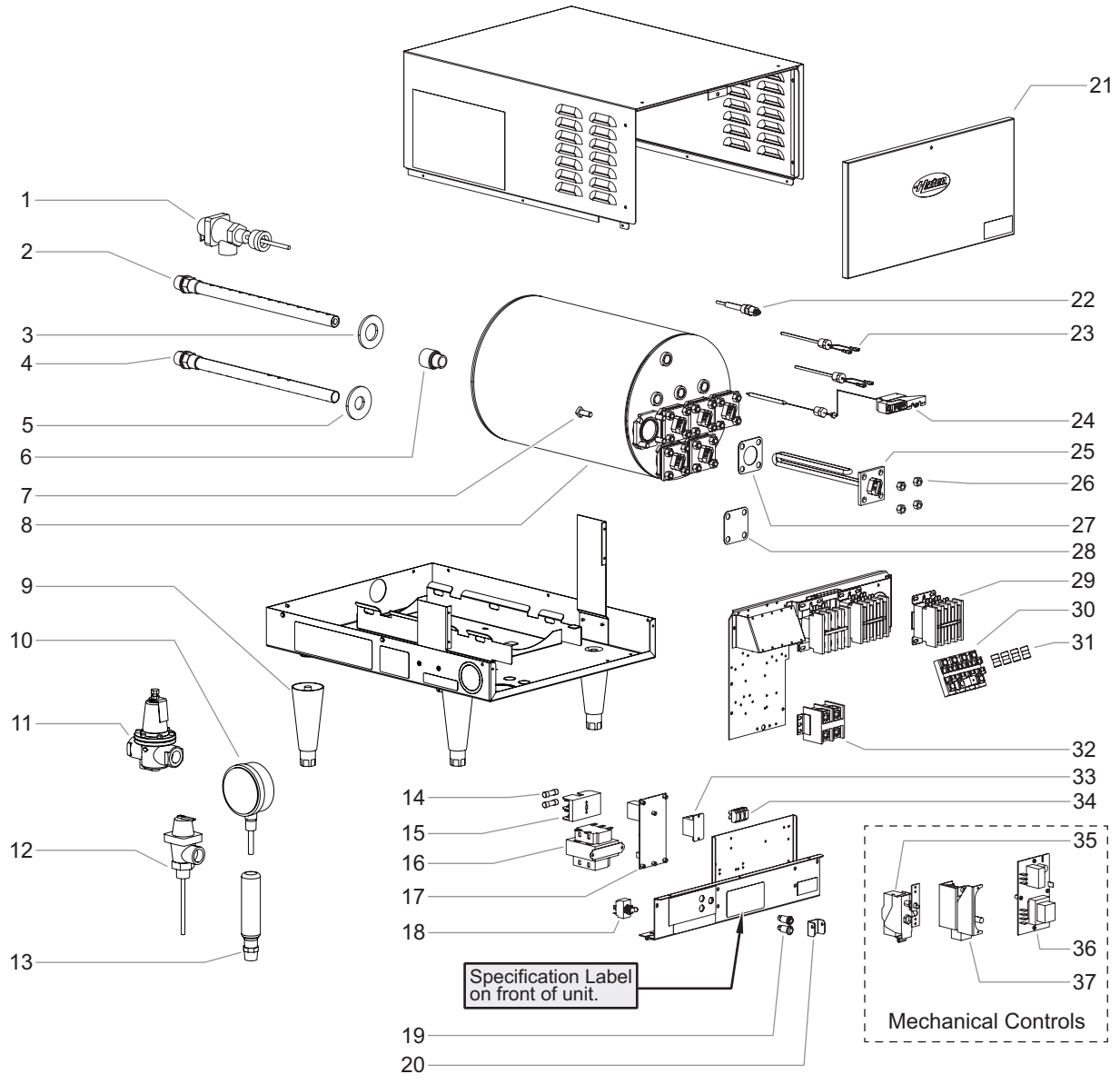
C Series



Replacement Parts List

Hatco Compact Electric Booster Heater

C Series



Main Assembly

Item	Description	Part No.	Qty.
1	Pressure Relief Valve	03.02.022.00	1
2	Outlet Pipe		
	Small Compact (C-4 to C-18)	03.05.057.00	1
	Large Compact (C-24 to C-58)		
	Castone Tank	03.30.009.00	1
	Stainless Steel Tank	03.05.057.00	1
3	Ring Seal, Relief Valve	05.06.017.00	1
4	Inlet Tube		
	Small Compact (C-4 to C-18)		
	Castone Tank	03.30.014.00	1
	Stainless Steel Tank	03.05.057.00	1
	Large Compact (C-24 to C-58)		
	Castone Tank	03.30.015.00	1
	Stainless Steel Tank	03.05.057.00	1
5	Ring Seal, Inlet/Outlet Pipe	05.06.006.00	2
6	3/4" Extension	03.40.019.00	1
7	Bolt, Element Mounting	05.04.022.00	4-24
8	Tank		
	Small Compact (C-4 to C-18)		
	Castone Tank, 2 Element	R01.02.002.00	1
	Castone Tank, 2 Element (with interlock)	01.02.043.00	1
	Castone Tank, 3 Element	R01.02.003.00	1
	Castone Tank, 3 Element (with interlock)	01.02.045.00	1
	Stainless Steel Tank, 2 Element	R01.02.055.00	1
	Stainless Steel Tank, 2 Element (with interlock)	01.02.061.00	1
	Stainless Steel Tank, 3 Element	R01.02.056.00	1
	Stainless Steel Tank, 3 Element (with interlock)	01.02.062.00	1
	Large Compact (C-24 to C-58)		
	Castone Tank	R01.02.031.00	1
	Castone Tank (with interlock)	01.02.047.00	1
	Stainless Steel Tank	R01.02.063.00	1
	Stainless Steel Tank (with interlock)	01.02.064.00	1
9	Legs		
	Plastic	05.30.069.00	4
	Stainless Steel	05.30.070.00	4
	Deck Mount	05.30.073.00	4
10	Temperature/Pressure Gauge	03.01.003.00	1
11	Pressure Reducing Valve		
	Iron	03.02.004.00	1
	Brass	03.02.015.00	1
12	Temperature/Pressure Release Valve	03.02.022.00	1
13	Shock Absorber	03.40.057.00	1
14	Fuses *	02.03.014.00	2
15	Fuse Blocks *	02.03.022.00	1
16	Transformers	See Page 4	

Item	Description	Part No.	Qty.
17	Electronic Control	02.01.443.00	1
18	Power I/O (on/off) Toggle Switch	R02.19.008A.00	1
19	Indicator Lights		
	Red (Error Indicator)	02.19.256.00	1
	Green (Power Indicator), 120 V	02.19.155.00	1
	Green (Power Indicator), 240V	02.19.150.00	1
20	Guard, Toggle Switch	04.01.038.00	1
21	Front Cover		
	Small Compact (C-4 to C-18)	04.01.365.00	1
	Large Compact (C-24 to C-58)	04.01.366.00	1
22	Probe, Low Water Cut Off	02.40.001.00	1
23	Probe, Thermostat and Limit	02.16.162.00	2
24	Probe, Thermostat Interlock	02.16.074.00	1
25	Heating Elements	See Page 4-5	
26	Nut, Element Mounting	05.04.028.00	4-24
27	Gasket, Heating Element	02.11.012.00	1-6
28	Blank Element Flange Kit	R02.11.013.00	1
29	Contactors	See Page 6	
30	Fuse Block	See Page 6	
31	Fuses	See Page 6	
32	Terminal Block	02.15.007.00	1
33	Relay (Remote Signal Option)		
	120 V	02.01.088.00	1
	208 V	02.01.105.00	1
	24 V	02.01.466.00	1
34	Terminal Block (Interlock)	02.15.029.00	1
35	Thermostat Control * † (bulb and cap only)		
	Small Compact (C-4 to C-18)	02.16.024.00	1
	Large Compact (C-24 to C-58)	02.16.003.00	1
36	Low Water Cut Off Board †	02.01.210.00	1
37	High Limit Thermostat * †	02.16.116.00	1
38	Slide Bracket Kit (not shown)	R04.20.030.00	1
39	Electronic Control Retrofit Kit † (not shown)	R02.01.443.00	1
	Wiring Diagram	See Page 7	

NOTE: Quantities shown as a range (example = "1-6") are dependent upon the number of elements in a unit.

* Refer to the "Legacy Parts List" (page 7) for replacement parts for units with a date code of 1905 or older.

† Items 35, 36, and 37 are for units with mechanical controls. The mechanical control can be replaced with Item 39.

The shaded areas contain information for **International models only**.

NOTE: The last four digits in a ten digit numerical serial number are the manufacturing date code: 962506**1704**

Year 2017 ————
Week Four ————

Transformers

Item Description	Part No.	Qty.
16 Transformers		
208 V and 240 V	02.17.004.00	1
480 V	02.17.005.00	1
380 V	02.17.003.00	1
415 V	02.17.061.00	1
480 V	R02.17.002.00	1
600 V	02.17.059.00	1
380-400 V	02.17.048.00	
400-415 V	02.17.062.00	1

Heating Elements — Small Compacts

Item Description	Part No.	Qty.
25 Heating Elements		
C-4 Models		
208 V, 1Φ	R02.04.400.00	1
208 V, 3Φ	R02.04.400.00	3
240 V, 1Φ	R02.04.401.00	1
240 V, 3Φ	R02.04.401.00	3
480 V	R02.04.404.00	1
C-5 Models		
208 V, 1Φ	R02.04.500.00	1
208 V, 3Φ	R02.04.500.00	3
240 V, 1Φ	R02.04.501.00	1
240 V, 3Φ	R02.04.501.00	3
480 V	R02.04.502.00	1
C-6 Models		
208 V	R02.04.302.00	2
240 V	R02.04.303.00	2
480 V	R02.04.305.00	2
380 V	R02.04.510.00	3
415 V	R02.04.452.00	3
600 V	R02.04.404.00	3
380-400 V and 400-415 V	R02.04.202.00	3
C-7 Models		
208 V	R02.04.350.00	2
240 V	R02.04.351.00	2
480 V	R02.04.352.00	2
380 V	R02.04.303.00	3
415 V	R02.04.510.00	3
380-400 V and 400-415 V	R02.04.307.00	3
C-9 Models		
208 V	R02.04.450.00	2
240 V	R02.04.451.00	2
480 V	R02.04.453.00	2
380 V	R02.04.351.00	3
415 V	R02.04.303.00	3
600 V	R02.04.304.00	3
380-400 V and 400-415 V	R02.04.303.00	3

Φ = Phase

NOTE: Heating Elements include Item 27 (Gaskets).

Heating Elements — Small Compacts

Item Description	Part No.	Qty.
25 Heating Elements		
C-12 Models		
208 V	R02.04.400.00	3
240 V	R02.04.401.00	3
480 V	R02.04.404.00	3
380 V	R02.04.501.00	3
415 V	R02.04.401.00	3
600 V	R02.04.402.00	3
380-400 V and 400-415 V	R02.04.401.00	3
C-13 Models		
208 V	R02.04.450.00	3
240 V	R02.04.451.00	3
480 V	R02.04.453.00	3
380 V	R02.04.451.00	3
415 V	R02.04.451.00	3
600 V	R02.04.353.00	3
380-400 V and 400-415 V	R02.04.451.00	3
C-15 Models		
208 V	R02.04.500.00	3
240 V	R02.04.501.00	3
480 V	R02.04.502.00	3
380 V	R02.04.603.00	3
415 V	R02.04.501.00	3
600 V	R02.04.510.00	3
380-400 V and 400-415 V	R02.04.501.00	3
C-17 Models		
208 V	R02.04.600.00	3
C-18 Models		
208 V	R02.04.600A.00	3
240 V	R02.04.603.00	3
480 V	R02.04.605.00	3
380 V	R02.04.601.00	3
415 V	R02.04.603.00	3
600 V	R02.04.604.00	3
380-400 V and 400-415 V	R02.04.603.00	3

The shaded areas contain information for **International models only**.

Heating Elements — Large Compacts

Item Description	Part No.	Qty.
25 Heating Elements		
C-24 Models		
208 V	R02.04.400.00	6
240 V	R02.04.401.00	6
480 V	R02.04.404.00	6
380 V	R02.04.501.00	6
415 V	R02.04.401.00	6
600 V	R02.04.402.00	6
380-400 V and 400-415 V	R02.04.401.00	6
C-27 Models		
208 V	R02.04.450.00	6
240 V	R02.04.451.00	6
480 V	R02.04.453.00	6
380 V	R02.04.501.00	6
415 V	R02.04.451.00	6
600 V	R02.04.452.00	6
380-400 V and 400-415 V	R02.04.451.00	6
C-30 Models		
208 V	R02.04.500.00	6
240 V	R02.04.501.00	6
480 V	R02.04.502.00	6
380 V	R02.04.611.00	6
415 V	R02.04.501.00	6
600 V	R02.04.510.00	6
380-400 V and 400-415 V	R02.04.501.00	6
C-36 Models		
208 V	R02.04.610.00	6
240 V	R02.04.611.00	6
480 V	R02.04.613.00	6
380 V	R02.04.601.00	6
415 V	R02.04.611.00	6
600 V	R02.04.612.00	6

Heating Elements — Large Compacts

Item Description	Part No.	Qty.
25 Heating Elements		
C-39 Models		
208 V	R02.04.650.00	6
240 V	R02.04.653.00	6
480 V	R02.04.655.00	6
380 V	R02.04.651.00	6
415 V	R02.04.653.00	6
600 V	R02.04.654.00	6
C-45 Models		
208 V	R02.04.700.00	6
240 V	R02.04.701.00	6
480 V	R02.04.703.00	6
380 V	R02.04.711.00	6
415 V	R02.04.701.00	6
600 V	R02.04.704.00	6
C-54 Models		
208 V	R02.04.710.00	6
240 V	R02.04.711.00	6
480 V	R02.04.713.00	6
380 V	R02.04.721.00	6
415 V	R02.04.711.00	6
600 V	R02.04.714.00	6
C-58 Models		
208 V	R02.04.720.00	6
240 V	R02.04.721.00	6
480 V	R02.04.724.00	6
380 V	R02.04.723.00	6
415 V	R02.04.721.00	6
600 V	R02.04.725.00	6

NOTE: Heating Elements include Item 27 (Gaskets).

NOTE: The last four digits in a ten digit numerical serial number are the manufacturing date code: 962506**1704**

Year 2017 ————
 Week Four ————

Contactors

Item Description	Part No.	Qty.
29 Contactors		
C-4 and C-5 Models		
208 V (1Φ), 240 V (1Φ)	02.01.010.00	1
208 and 240 V (3Φ), 480 V (1Φ)	02.01.015.00	1
208 V (1Φ), 240 V (1Φ)	02.01.016.00	1
C-6, C-7, C-9 Models		
208, 240, 480 V	02.01.015.00	1
All international voltages	02.01.016.00	1
C-12, C-13, C-15, C-17 Models		
208 (1Φ), 240 V (1Φ)	02.01.017.00	1
208 and 240 V (3Φ), 480 V (1Φ)	02.01.015.00	1
208 V (1Φ), 240 V (1Φ)	02.01.018.00	1
240, 380, 415, 480, 600 V	02.01.016.00	1
C-18 Models		
208, 240, 480 V	02.01.015.00	1
208 and 240 V	02.01.018.00	1
380, 415, 480, 600 V	02.01.016.00	1
C-24, C-27, C-30 Models		
208, 240, 480 V	02.01.015.00	1
All international voltages	02.01.016.00	1
C-36 Models		
208 V (1Φ and 3Φ), 240 V (1Φ)	02.01.017.00	3
240 V (3Φ), 480 V (3Φ)	02.01.015.00	2
208 V	02.01.018.00	3
240, 380, 415, 480, 600 V	02.01.016.00	2
C-39 Models		
208 V (1Φ and 3Φ), 240 V (1Φ)	02.01.017.00	3
240 V (3Φ), 480 V (3Φ)	02.01.015.00	2
208 and 240 V	02.01.018.00	3
380, 415, 480, 600 V	02.01.016.00	2
C-45 Models		
208 (3Φ), 240 V	02.01.017.00	3
480 V	02.01.015.00	2
208, 240 V	02.01.018.00	3
380, 415, 480, 600 V	02.01.016.00	2
C-54 Models		
208 V	02.01.017.00	2
240 V	02.01.017.00	3
480 V	02.01.015.00	2
208, 240 V	02.01.018.00	3
380, 415, 480 V	02.01.016.00	2
600 V	02.01.016.00	1
C-58 Models		
208 and 240 V	02.01.017.00	3
480 V	02.01.015.00	2
208, 240 V	02.01.018.00	3
380, 415, 480 V	02.01.016.00	2
600 V	02.01.016.00	1

Φ = Phase

Fuse Blocks

Item Description	Part No.	Qty.
30 Fuse Block		
C-18 Models	02.41.010.00	2
C-24, C-27, C-30 Models		
208 and 240 V, 1Φ	02.41.010.00	2
208 and 240 V, 3Φ	02.41.001.00	1
	02.41.005.00	1
C-36, C-39 Models		
208 and 240 V, 1Φ	02.41.010.00	4
208 V, 3Φ	02.41.015.00	3
240 V, 3Φ	02.41.001.00	1
	02.41.005.00	1
C-45 Models		
240 V, 1Φ	02.41.010.00	4
208 and 240 V, 3Φ	02.41.015.00	3
480 V, 3Φ	02.41.030.00	2
C-54 Models		
208 and 240 V, 3Φ	02.41.022.00	2
480 V, 3Φ	02.41.030.00	2
C-58 Models		
208 and 240 V, 3Φ	02.41.022.00	2
480 V, 3Φ	02.41.030.00	2

Fuses

Item Description	Part No.	Qty.
31 Fuses		
C-18 Models	R02.03.031.02	3
C-24, C-27 Models		
208 and 240 V, 1Φ	R02.03.033.02	3
208 and 240 V, 3Φ	R02.03.032.02	3
C-30 Models	R02.03.033.02	3
C-36, C-39 Models		
208 and 240 V, 1Φ	R02.03.031.02	6
208 V, 3Φ	R02.03.031.02	6
240 V, 3Φ	R02.03.033.02	3
C-45 Models		
208 V, 3Φ	R02.03.032.02	6
240 V, 1Φ	R02.03.031.02	6
240 V, 3Φ	R02.03.031.02	6
480 V, 3Φ	R02.03.011.02	3
C-54 Models		
208 and 240 V, 3Φ	R02.03.033.02	6
480 V, 3Φ	R02.03.012.02	3
C-58 Models		
208 V, 3Φ	R02.03.033.02	6
240 V, 3Φ	R02.03.032.02	6
480 V, 3Φ	R02.03.012.02	3

The shaded areas contain information for **International models only**.

Wiring Diagrams — Small Compact

Item Description	Part No.
Wiring Diagram	
SC 1PH 18KW W/ETC	10-01-1491A
SC DELTA 9-18KW W/ETC	10-01-1492A
SC DELTA 9-18KW W/ETC 240CIR	10-01-1492B
SC WYE 4-18KW W/ETC	10-01-1493A
SC WYE 4-18KW W/ETC 240CIR	10-01-1493B
SC DUAL 10-18 W/ETC	10-01-1494A
SC DUAL 10-18 W/ETC 240CIR	10-01-1494B
SC 1PH 10-15KW W/ETC	10-01-1495A
SC DUAL 6-9KW W/ETC	10-01-1496A
SC DUAL 6-9KW W/ETC 240CIR	10-01-1496B
SC 1PH 4-5KW W/ETC	10-01-1497A
SC 1PH 4-5KW W/ETC 240CIR	10-01-1497B

Wiring Diagrams — Large Compact

Item Description	Part No.
Wiring Diagram	
LC 1PH 24-30KW W/ETC	10-01-1479A
LC DELTA 24-39KW W/ETC	10-01-1480A
LC DELTA 45-57KW W/ETC	10-01-1481A
LC DELTA 24-57KW W/ETC	10-01-1482A
LC 1PH 36-57KW W/ETC	10-01-1483A
LC DELTA 36-57KW W/ETC	10-01-1484A
LC DELTA 36-57KW W/ETC 240CIR	10-01-1485B
LC WYE 24-57KW W/ETC	10-01-1486A
LC DUAL 24-36KW W/ETC 240CIR	10-01-1487B
LC DELTA 9-18KW W/ETC	10-01-1488A
LC 1PH 36-45KW W/ETC 240CIR	10-01-1489B
LC WYE 39-57KW W/ETC	10-01-1490A
BO WYE 36KW LWCO CE 3 WIRE	10-01-443A
BO WYE 36KW LWCO CE 4 WIRE	10-01-443B
BO WYE 36KW LWCO CE 4 WIRE	10-01-444C
BO WYE 24-30KW LWCO CE 3 WIRE	10-01-445A
BO WYE 24-30KW LWCO CE 4 WIRE	10-01-445B
BO WYE 54-57KW LWCO REM SIG	10-01-446C

Legacy Parts List

Item Description	Part No.	Qty.
14 Fuse		
Class G	02.03.014.00	2
AGC, 1 Amp Glass Fuse	02.03.001.00	2
Class G	02.03.005.00	2
Class CC, 500 V	02.03.021.00	2
15 Fuse Block		
Class G	02.03.022.00	1
Fuse Holder for AGC Fuse	02.03.004.00	1
Class CC	02.03.016.00	1

NOTE: The last four digits in a ten digit numerical serial number are the manufacturing date code: 962506**1704**

Year 2017 ————
 Week Four ————