



IMPORTANT NOTE:

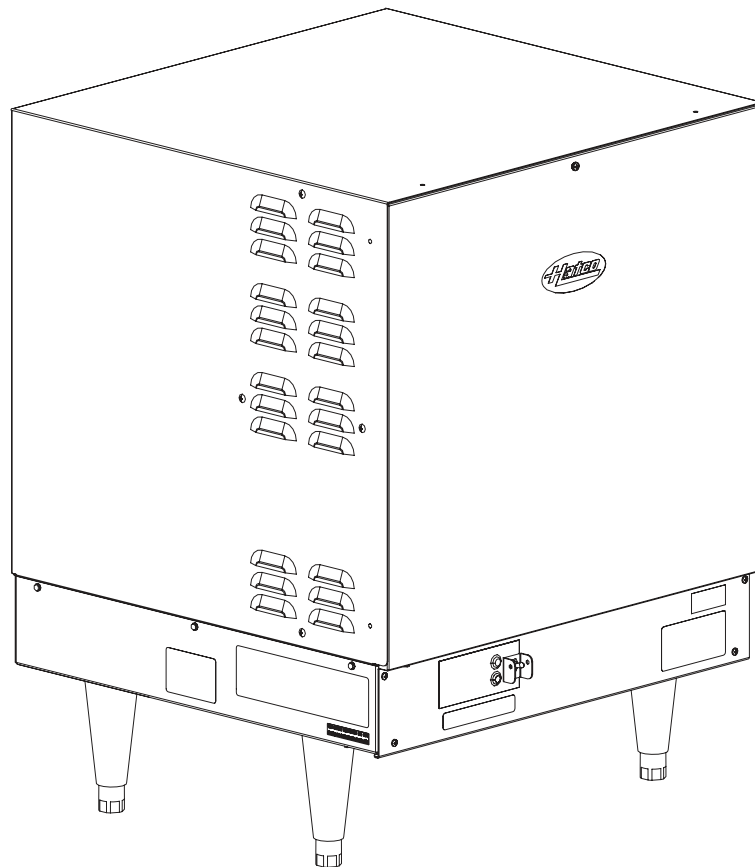
Locate the Specification Label on unit to determine exact Model Name and electrical specifications. This information is needed to identify the correct replacement parts. See exploded view illustration(s) for Specification Label location.



Use of replacement parts other than those supplied by Hatco Corporation may result in damage to unit or injury to personnel and will void all warranties.

Imperial Electric Booster Water Heaters

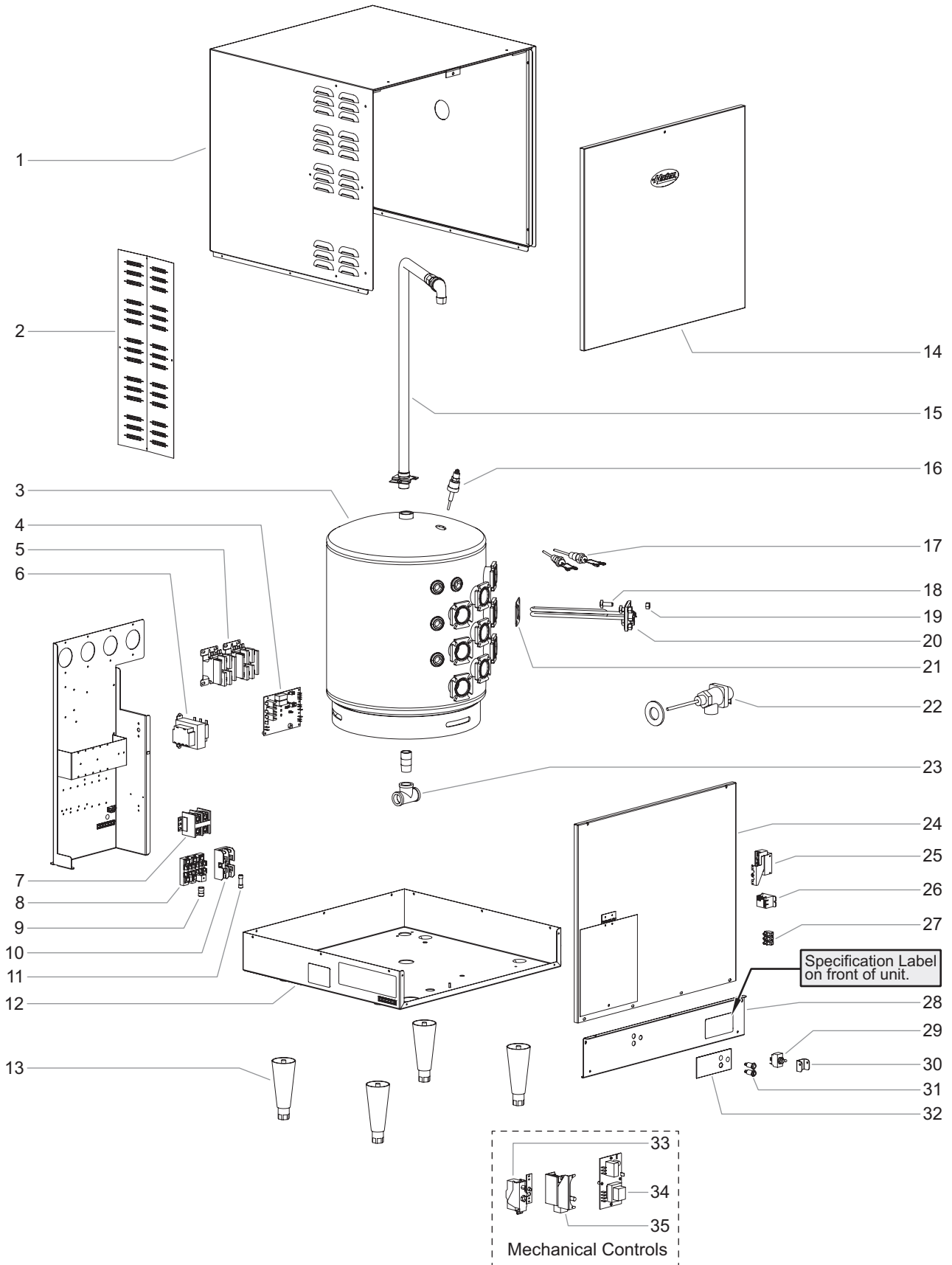
S Series



Replacement Parts List

Hatco Compact Electric Booster Heater

S Series



Main Assembly

Item	Description	Part No.	Qty.
1	Jacket		
	Standard	04.03.024.00	1
	Stainless Steel	04.03.031.00	1
2	Splash Screen	04.03.042.00	1
3	Tank		
	3 Element	01.02.007.00	1
	6 Element	01.02.008.00	1
	9 Element	01.02.009.00	1
	3 Element w/ Interlock	01.02.012.00	1
	6 Element w/ Interlock	01.02.013.00	1
	9 Element w/ Interlock	01.02.014.00	1
4	Electronic Control		
	3 Element Tanks	02.01.443.00	1
	6-9 Element Tanks	02.01.444.00	1
5	Contactors		
	120 V, 3 Pole	02.01.015.00	1-4
	120 V, 4 Pole	02.01.017.00	1-2
	208/240 V, 3 Pole	02.01.016.00	1-4
	208/240 V, 4 Pole	02.01.018.00	1-3
6	Transformer		
	120V, 208/240V, 80VA	02.17.004.00	1
	120V, 208/240V, 50VA	02.17.050.00	1
	230V, 50VA, 50/60 HZ, 575/380	02.17.003.00	1
	120V, 480V, 80VA	02.17.005.00	1
	240V, 65VA, P480/600	02.17.059.00	1
	120V, 208/240V, 25VA	02.17.049.00	1
	120V, 480V, 50VA	02.17.053.00	1
	120V, 480V, 25VA	02.17.052.00	1
7	Terminal Block		
	2 Pole	02.15.045.00	1
	2 Pole HD	02.15.007.00	1
	3 Pole	02.15.046.00	1
	3 Pole SD	02.15.021.00	1
	3 Pole HD	02.15.008.00	1
8	Fuse Block, 60 A	See Page 5	1
9	Fuse	See Page 5	1
10	Fuse Block, 15 A	02.03.022.00	1
11	Fuse, 2 A	02.03.014.00	2
12	Base		1
	Standard	R04.03.002P.00	1
	Stainless Steel	R04.03.004.00	1
13	Legs		
	Plastic	05.30.069.00	4
	Stainless Steel	05.30.070.00	4
	Deck Mount	05.30.073.00	4

Item	Description	Part No.	Qty.
14	Front Cover	R04.03.046.00	1
15	Heat Trap Assembly	R03.12.048.00	1
16	Probe, Low Water Cutoff	02.40.001.00	1
17	Probe, Temperature	02.16.162.00	2-4
18	Bolt, Element Mounting	05.04.022.00	12-36
19	Nut	05.04.028.00	12-36
20	Heating Element	See Pages 4-5	
21	Gasket, Heating Element	02.11.012.00	3-9
22	Temperature/Pressure Relief Valve	03.02.022.00	1
23	3/4 Tee	03.14.001.00	1
24	Front Cover, Kit	R04.03.027.00	1
25	Thermostat, Temp Interlock	02.16.074.00	1
26	Relay, Remote Signal		
	24 V	02.01.446.00	1
	120 V	02.01.088.00	1
	240 V	02.01.105.00	1
27	Terminal Block, Interlock	02.15.029.00	1
28	Base, Front		1
	Standard	04.03.044.00	1
	Stainless Steel	04.03.045.00	1
29	Rocker Switch	02.19.008A.00	1
30	Guard, Rocker Switch	04.01.038.00	1
31	Indicator Light		
	Red, 12 V	02.19.256.00	1
	Green, 120 V	02.19.155.00	1
	Green, 240 V	02.19.150.00	1
32	Control Label		
	w/ Switch	07.01.440.00	1
	w/o Switch	07.01.441.00	1
33	Thermostat Control † (bulb and cap only)	02.16.024.00	1
34	Low Water Cut Off Board †	R02.01.210.00	1
35	High Limit Thermostat †	02.16.116.00	1
36	Electronic Control Retrofit Kit † (not shown)		
	3 Element Tanks	R00.02.0228.00	1
	6 Element Tanks	R00.02.0229.00	1
	9 Element Tanks	R00.02.0230.00	1
	Wiring Diagram	See Page 5	

† Items 33, 34, and 35 are for units with mechanical controls. The mechanical control can be replaced with Item 36.

NOTE: Quantities shown as a range (example = "1-6") are dependent upon the number of elements in a unit.

NOTE: The last four digits in a ten digit numerical serial number are the manufacturing date code: 962506**1704**

Year 2017 ————
Week Four ————

Heating Elements

Item	Description	Part No.	Qty.
19	Heating Elements		
	S-6 Models		
	208 V	R02.04.302.00	2
	240 V	R02.04.303.00	2
	480 V	R02.04.305.00	2
	380 V	R02.04.510.00	3
	415 V	R02.04.452.00	3
	600 V	R02.04.404.00	3
	S-7 Models		
	208 V	R02.04.350.00	2
	240 V	R02.04.351.00	2
	480 V	R02.04.352.00	2
	380 V	R02.04.303.00	3
	415 V	R02.04.510.00	3
	600 V	R02.04.502.00	3
	S-9 Models		
	208 V	R02.04.450.00	2
	240 V	R02.04.451.00	2
	480 V	R02.04.453.00	2
	380 V	R02.04.351.00	3
	415 V	R02.04.303.00	3
	600 V	R02.04.304.00	3
	S-12 Models		
	208 V	R02.04.400.00	3
	240 V	R02.04.401.00	3
	480 V	R02.04.404.00	3
	380 V	R02.04.501.00	3
	415 V	R02.04.401.00	3
	600 V	R02.04.402.00	3
	S-13 Models		
	208 V	R02.04.450.00	3
	240 V	R02.04.451.00	3
	480 V	R02.04.453.00	3
	415 V	R02.04.451.00	3
	600 V	R02.04.353.00	3
	S-15 Models		
	208 V	R02.04.500.00	3
	240 V	R02.04.501.00	3
	480 V	R02.04.502.00	3
	380 V	R02.04.603.00	3
	415 V	R02.04.501.00	3
	600 V	R02.04.510.00	3
	S-17 Models		
	208 V	R02.04.600.00	3
	S-18 Models		
	208 V	R02.04.610.00	3
	240 V	R02.04.611.00	3
	480 V	R02.04.613.00	3
	380 V	R02.04.601.00	3
	415 V	R02.04.603.00	3
	600 V	R02.04.604.00	3

Item	Description	Part No.	Qty.
19	Heating Elements		
	S-24 Models		
	208 V	R02.04.400.00	6
	240 V	R02.04.401.00	6
	480 V	R02.04.404.00	6
	380 V	R02.04.501.00	6
	415 V	R02.04.401.00	6
	600 V	R02.04.402.00	6
	S-27 Models		
	208 V	R02.04.450.00	6
	240 V	R02.04.451.00	6
	480 V	R02.04.453.00	6
	380 V	R02.04.607.00	6
	415 V	R02.04.451.00	6
	600 V	R02.04.452.00	6
	S-30 Models		
	208 V	R02.04.500.00	6
	240 V	R02.04.501.00	6
	480 V	R02.04.502.00	6
	380 V	R02.04.611.00	6
	415 V	R02.04.501.00	6
	600 V	R02.04.510.00	6
	S-36 Models		
	208 V	R02.04.610.00	6
	240 V	R02.04.611.00	6
	480 V	R02.04.613.00	6
	380 V	R02.04.601.00	6
	415 V	R02.04.603.00	6
	600 V	R02.04.612.00	6
	S-39 Models		
	208 V	R02.04.650.00	6
	240 V	R02.04.653.00	6
	480 V	R02.04.655.00	6
	380 V	R02.04.651.00	6
	415 V	R02.04.653.00	6
	600 V	R02.04.654.00	6
	S-40 Models		
	208 V	R02.04.450.00	9
	240 V	R02.04.451.00	9
	480 V	R02.04.453.00	9
	380 V	R02.04.501.00	9
	415 V	R02.04.451.00	9
	600 V	R02.04.452.00	9
	S-45 Models		
	208 V	R02.04.500.00	9
	240 V, 1 Φ	R02.04.701.00	9
	240 V, 3 Φ	R02.04.501.00	9
	480 V	R02.04.502.00	9
	380 V	R02.04.603.00	9
	415 V	R02.04.501.00	9
	600 V	R02.04.510.00	9

NOTE: Heating Elements include Item 21 (Gaskets).

Φ = Phase

The shaded areas contain information for **International models only**.

Heating Elements

Item Description	Part No.	Qty.
19 Heating Elements		
S-54 Models		
208 V	R02.04.710.00	9
208 V	R02.04.610.00	9
240 V	R02.04.611.00	9
480 V	R02.04.613.00	9
380 V	R02.04.601.00	9
415 V	R02.04.603.00	9
600 V	R02.04.612.00	9
S-57 Models		
208 V	R02.04.731.00	6
240 V	R02.04.632.00	9
480 V	R02.04.634.00	9
380 V	R02.04.631.00	9
415 V	R02.04.632.00	9
600 V	R02.04.633.00	9
S-58 Models		
208 V	R02.04.720.00	6
208 V	R02.04.650.00	9
240 V	R02.04.653.00	9
480 V	R02.04.655.00	9
380 V	R02.04.651.00	9
415 V	R02.04.653.00	9
600 V	R02.04.654.00	9

NOTE: Heating Elements include Item 21 (Gaskets).

The shaded areas contain information for **International models only**.

NOTE: The last four digits in a ten digit numerical serial number are the manufacturing date code: 962506**1704**

Year 2017
Week Four

Wiring Diagrams

Item Description	Part No.
Wiring Diagram	
IMP ETC 240CC 1 OR 3PH 12-18KW	10-01-1393
IMP ETC 240CC DPHDELTA 6-9KW	10-01-1394
IMP ETC 240CC 3PHDELTA 6-9KW	10-01-1395
IMP ETC 240CC 3PHDELTA 9-18KW	10-01-1396
IMP ETC 240CC 3PHWYE 6-18KW	10-01-1397
IMP ETC 240CC 3PHDELTA 24-39KW	10-01-1398
IMP ETC 240CC 1PH 24-30KW	10-01-1399
IMP ETC 240CC 3PHDELTA 24-39KW	10-01-1400
IMP ETC 240CC 3PHDELTA 40-57KW	10-01-1401
IMP ETC 240CC 3PHDELTA 40-57KW	10-01-1402
IMP ETC 240CC 3PHWYE 24-39KW	10-01-1403
IMP ETC 240CC 3PHWYE 40-57KW	10-01-1404
IMP ETC 120CC DPHDELTA 6-9KW	10-01-1405
IMP ETC 240CC 3PHDELTA 36-39KW	10-01-1406
IMP ETC 240CC 3PHDELTA 54-57KW	10-01-1406A
IMP ETC 120CC 3PDELTA 9-18KW	10-01-1407
IMP ETC 120CC 1PH 18KW	10-01-1408
IMP ETC 120CC 1PH 24-30KW	10-01-1409
IMP ETC 120CC 1PH 30KW	10-01-1409A
IMP ETC 120CC 3PHDELTA 24-39KW	10-01-1410
IMP ETC 120CC 3PHDELTA 24-39KW	10-01-1411
IMP ETC 120CC 3PHDELTA 36-39KW	10-01-1412
IMP ETC 120CC 3PHDELTA 54-57KW	10-01-1412A
IMP ETC 120CC 3PHDELTA 40-57KW	10-01-1413
IMP ETC 120CC 1PH 36-45KW	10-01-1414
IMP ETC 120CC 3PHDELTA 40-57KW	10-01-1415
IMP ETC 120CC 3PHWYE 6-9KW	10-01-1416
IMP ETC 120CC 1PH 12-15KW	10-01-1417
IMP ETC 240CC 1PH 36-39KW	10-01-1418
IMP ETC 240CC 3PHWYE 6KW	10-01-1626
IMP ETC 240CC 3PHDELTA 9KW	10-01-1629

Fuse Blocks

Item Description	Part No.	Qty.
8 Fuse Block		
60 A, 300 V, 2 P, 2/0 Lug	02.41.001.00	
60 A, 300 V, 2 P Dual	02.41.005.00	
60 A, 300 V, 3 P, 2/0 Lug	02.41.010.00	
60 A, 300 V, 4 P	02.41.015.00	
60 A, 300 V, 4 P	02.41.020.00	
60 A, 300 V, 4 P	02.41.021.00	
60 A, 300 V, 4 P	02.41.022.00	
60 A, 600 V, 3 P	02.41.030.00	

Fuses

Item Description	Part No.	Qty.
9 Fuses		
35 A	02.03.030.00	
40 A	02.03.031.00	
50 A	02.03.032.00	
60 A	02.03.033.00	
35 A, 600 V	02.03.010.00	
40 A, 600 V	02.03.011.00	
50 A, 600 V	02.03.012.00	
60 A, 600 V	02.03.015.00	