



IMPORTANT NOTE:

Locate the Specification Label on unit to determine exact Model Name and electrical specifications. This information is needed to identify the correct replacement parts. See exploded view illustration(s) for Specification Label location.



Use of replacement parts other than those supplied by Hatco Corporation may result in damage to unit or injury to personnel and will void all warranties.

Mini-Compact Electric Booster Water Heaters

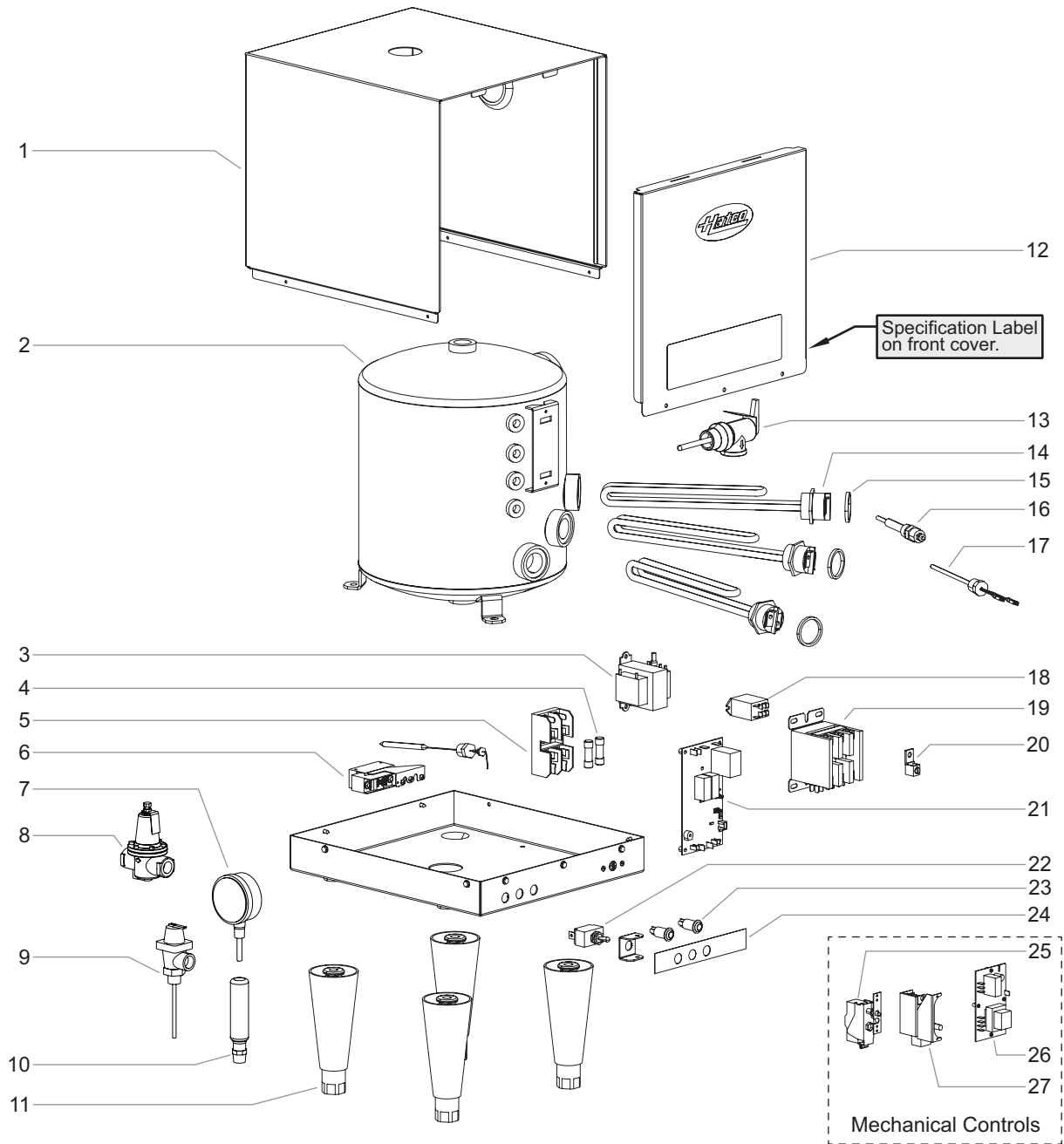
MC Series



Replacement Parts List

Hatco Mini-Compact Electric Booster Water Heaters

MC Series



Main Assembly

Item	Description	Part No.	Qty.
1	Jacket		
	Painted	04.01.124.00	1
	Stainless Steel	04.01.376.00	1
2	Tank with Gaskets	R01.05.007.00	1
3	Transformer		
	208 and 240 V	02.17.054.00	
	480 V	02.17.055.00	
4	Fuse (2 Pack)		
	208 and 240 V	R02.03.014.02	
	480 V	R02.03.021.02	
5	Fuse Block		
	208 and 240 V	02.03.022.00	
	480 V	02.03.016.00	
6	Thermostat Control (Interlock)	02.16.074.00	1
7	Temperature/Pressure Gauge	03.01.003.00	1
8	Pressure Reducing Valve		
	Iron	03.02.004.00	1
	Brass	03.02.015.00	1
9	Temperature/Pressure Relief Valve	03.02.022.00	1
10	Shock Absorber	03.40.057.00	1
11	Legs		
	Plastic	05.30.069.00	4
	Stainless Steel	05.30.070.00	4
12	Front Cover	04.01.378.00	1
13	Temperature/Pressure Relief Valve	03.02.020.00	1
14	Heating Elements		
	208 V	R02.04.101.00	3
	240 V	R02.04.102.00	3
	480 V	R02.04.103.00	3
15	Gasket, Heating Element	02.11.001.00	3

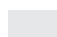
Item	Description	Part No.	Qty.
16	Probe, Low Water Cutoff	02.40.001.00	1
17	Probe, Thermostat and Limit	02.16.162.00	2
18	Relay (Remote Signal Option)	02.01.116.00	1
19	Contactors		
	208 and 240 V, Single Phase	02.01.040.00	1
	208, 240, 480 V, Three Phase	02.01.343.00	1
	MC-7 Models (208 and 240 V, Three Phase)	02.01.168.00	1
20	Grounding Lug	02.14.058.00	
21	Electronic Control Board	R02.01.443.00	1
22	Power Toggle Switch	R02.19.016.00	1
23	Indicator Lights		
	Error Indicator, Red	02.19.256.00	1
	Power Indicator, Green		
	120 V	02.19.155.00	1
	240 V	02.19.150.00	1
24	Control Plate	07.01.452.00	1
25	Thermostat Control †	02.16.024.00	1
26	Low Water Cut Off Board †	R02.01.210.00	1
27	High Limit, Thermostat †	02.16.116.00	
28	Electronic Control Retrofit Kit † (not shown)	R02.01.443.00	
29	Water Treatment Canister and Cartridge (not shown)	03.05.061.00	1
30	Cartridge Only (not shown)	03.05.061A.00	1
	Wiring Diagram		
	208 and 240 V, Single Phase	HS1-1493	
	208 and 240 V, Three Phase	HS1-1413	
	480 V, Three Phase	HS1-1492	

NOTE: The last four digits in a ten digit numerical serial number are the manufacturing date code: 9625061704

Year 2017 ————
Week Four ————

NOTE: Quantities shown as a range (example = "1-6") are dependent upon the number of elements in a unit.

† Items 25, 26, and 27 are for units with mechanical controls. The mechanical control can be replaced with Item 28.

 The shaded areas contain information for **International models only**.