



# CATALOG OF REPLACEMENT PARTS



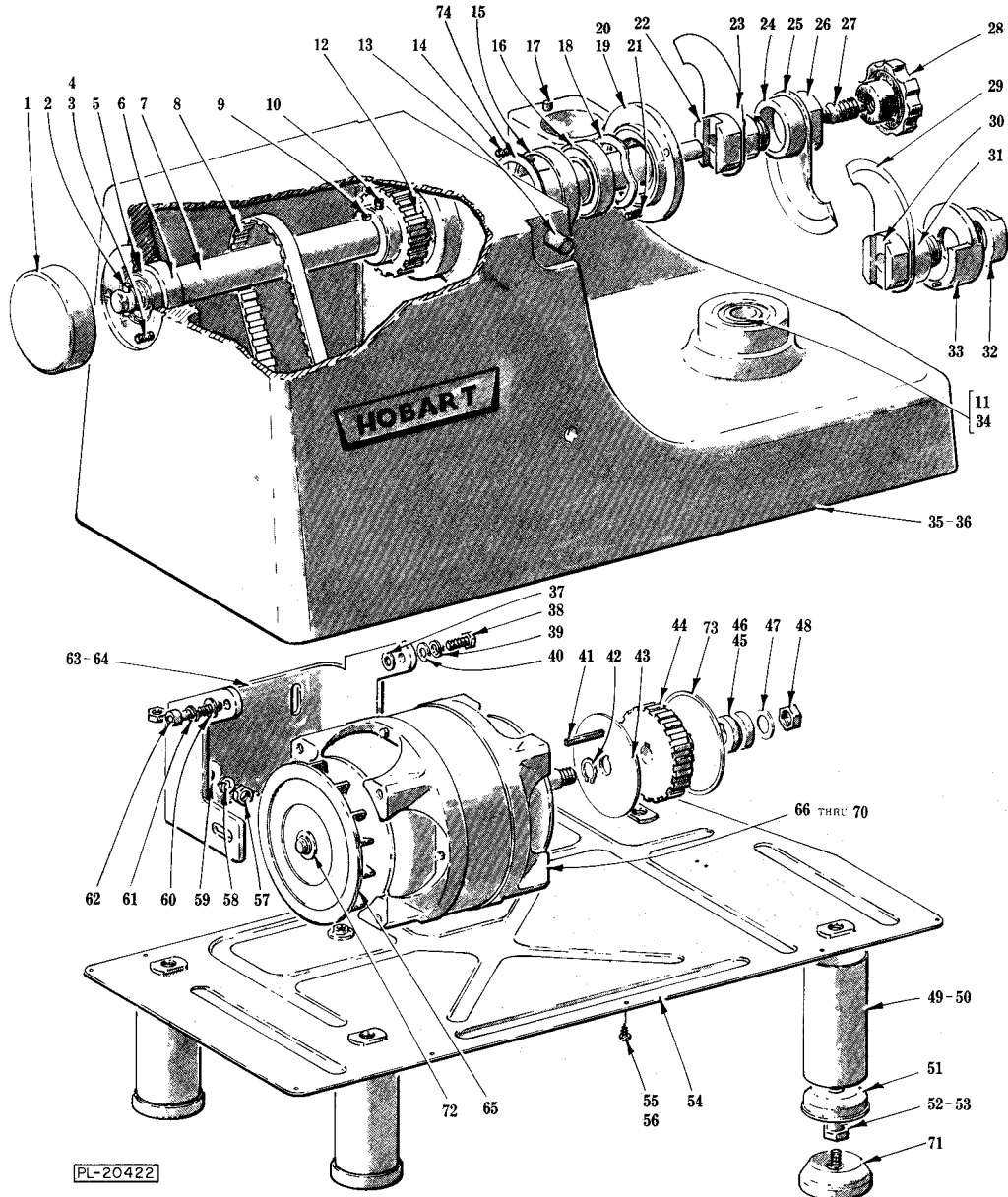
## 84145 Food Cutters

- ML-18492 (w/o Gear Attachment)
- ML-33220 (w/o Gear Attachment)
- ML-18595 (w/ Gear Attachment)
- ML-33221 (w/ Gear Attachment)



**Table of Contents**

5	MOTOR AND BASE UNIT
9	HOBART BUILT MOTORS PARTS (1 PH.)
11	HOBART BUILT MOTOR PARTS (3 PH.)
13	BOWL UNIT
15	SWITCH UNIT
17	ATTACHMENT HUB & EXTENSION FOOT



**MOTOR AND BASE UNIT**

## MOTOR AND BASE UNIT

ILLUS.	PART NO.	NAME OF PART	AMT.
PL-20422			
*1	116636	Cover - Trim.....	1
2	RP-2-5	Rollpin 1/4 Dia. x 7/8 Lg.....	1
*3	SD-039-92	Screw, Spcl 10-14 x 1 1/2 Cross Head "Plastite".....	3
*4	WS-3-1	Washer.....	3
5	00-116657	Seal - Knife Shaft.....	1
6	BB-7-52	Ball Bearing - Fafnir #205KDD.....	1
7	116622	Shaft - Knife.....	1
8	116634	Belt - Timing (42T).....	1
9	12430-143	Key.....	1
10	SC-88-70	Set Screw 10-24 x 1/4 Soc. Hdls., Kn. Cup Pt.....	2
11	RR-7-7	Retaining Ring.....	2
12	00-116632	Pulley - Knife Shaft (20T).....	1
13	116644	Shaft - Bowl Cover Hinge.....	1
14	SC-47-82	Set Screw 10-32 x 3/16 Soc. Hdls., Cup Pt.....	1
15	00-077362	Insert - Bearing.....	1
16	BB-15-22	Ball Bearing - Fafnir #9107KDD.....	1
17	11800-242	Dowel.....	1
18	SL-3-10	Loading Spring - Wavy.....	1
19	00-116633	Cap - End.....	1
20	00-124669	Seal - Knife Shaft.....	1
21	SC-67-9	Mach. Screw 10-32 x 5/8 Trimmed Hex Hd.....	3
22	71313	Bushing - Knife Retaining.....	1
23	00-071309	Knife - Rotary (Leader).....	1
24	71312	Collar - Knife Retaining Bushing.....	1
25	00-071310	Knife - Rotary (Follower).....	1
26	71311	Collar - Locking.....	1
27	00-915661	Kit - Knob and Insert.....	1
28	00-915661	Kit - Knob and Insert.....	1
**29	17909	Knife - Rotary (Follower).....	1
**30	7157	Bushing - Knife Retaining.....	1
**31	103903	Collar - Knife Retaining Bushing.....	1
**32	103904	Locking Collar - Knife Ret. Bushing.....	1
**33	23680	Balance - Knife.....	1
34	BB-5-34	Ball Bearing - MRC 204SZZ.....	2
35	00-118088-00001	Base, Bearing & Logo Assy. (1 Ph.).....	1
36	118088-2	Base, Bearing & Logo Assy. (3 Ph.)(Give Serial No., Mach. Model & Elec. Spec.).....	1
37	WS-006-48	Washer - @.....	AR
38	SC-036-27	Cap Screw 5/16 -18 x 1 Hex Hd.....	2
39	WL-3-44	Lock Washer 5/16 Medium.....	2
40	WS-4-25	Washer.....	2
41	12430-64	Key.....	1
42	RR-7-21	Retaining Ring - Heavy Duty.....	1
43	00-116649	Flange - Motor Pulley.....	1
44	00-116650	Pulley - Motor Timing (20T).....	1
45	00-291589	Pulley - Motor Drive.....	1
46	117506	Pulley - Motor Drive (ML-18492 & ML-18595).....	1
47	WS-029-28	Washer.....	1
48	NS-017-30	Jam Nut 1/2-20 Hex Fin.....	1
49	77772-2	Leg (3").....	4
50	77772-1	Leg (4").....	4
51	64814	End Cap- Leg.....	4
52	290061-3	Stud - Leg (3").....	4
53	290061-2	Stud - Leg (4").....	4
54	00-116712	Bottom Cover & Weld Nut Assy.....	1
55	SD-24-44	Self-Tapping Scw 10-24 x 1/2 Pan Hd. Type TT.....	10

## MOTOR AND BASE UNIT

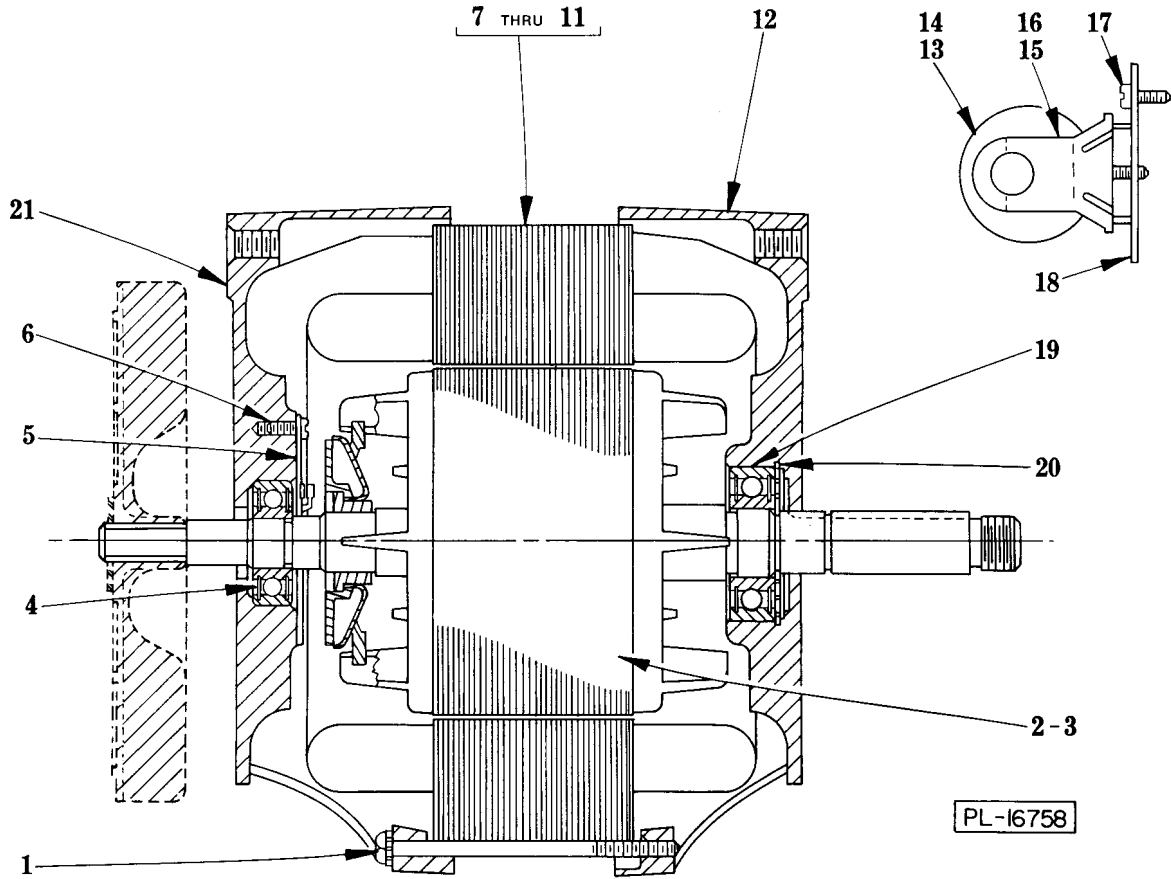
ILLUS.	PART NO.	NAME OF PART	AMT.
PL-20422			
56	WL-10-6	Lock Washer 10 Ext. Shakeproof.....	1
57	NS-13-14	Full Nut 5/16-18 Hex Fin.....	4
58	WL-3-44	Lock Washer 5/16 Medium.....	4
59	291284	Washer.....	4
60	WS-4-25	Washer.....	2
61	WL-3-44	Lock Washer 5/16 Medium.....	2
62	SC-40-16	Cap Screw 5/16-18 x 1 Soc. Hd.....	2
63	00-117037-00001	Motor Bracket Assy.....	1
64	117037-2	Motor Bracket Assy. (Export) (50 Hz.).....	1
65	00-292466-00002	Fan - Ventilating.....	1
***66		Hobart Built Motor Assy. (All Voltages).....	1
67	00-293924-00001	Motor Assy.....	1
68	293924-2	Other than Hobart Built Motor Assy.(115/220/240 V., 50 Hz., 1 Ph.).....	1
69	293925-1	Other than Hobart Built Motor Assy.(230/460V,60Hz,3Ph)(220/380/240/415V,50Hz, 3Ph.).....	1
70	293925-2	Other than Hobart Built Motor Assy.(200V.,60Hz.,3Ph.).....	1
71	83681	Foot - Rubber.....	4
72	RR-007-18	Retaining Ring - Gripring.....	1
73	00-116649	Flange - Motor Pulley.....	1
74	RR-011-20	Retaining Ring.....	1
**	71386	Single Knife & Knife Balance Assy. (Incls. items 29 thru 33).....	1
	70487-1	Capacitor (Howell Motor).....	1
	66621-1	Bracket - Capacitor (Howell Motor).....	1

\* For Machines without Gear Attachment ONLY.

\*\* Single Knife Unit (Not NSF Approved). See BOWL UNIT PL-18878 for Comb.

\*\*\* Hobart Built Motor Assy. Discontinued. To replace order: <br> 270473-1 - (60 Hz., 1Ph. & 100 V., 50 Hz., 1 Ph.)<br> 270473-2 - (50 Hz., 1Ph. except 100 V., 50 Hz., 1 Ph.)<br> 270473-3 - (60 Hz., 3 Ph. except 208 V., 60 Hz., 3 Ph.)<br> 270473-4 - (60 Hz., 3 Ph. 208 V.)<br> 270473-5 - (50 Hz., 3Ph.)

## NOTES

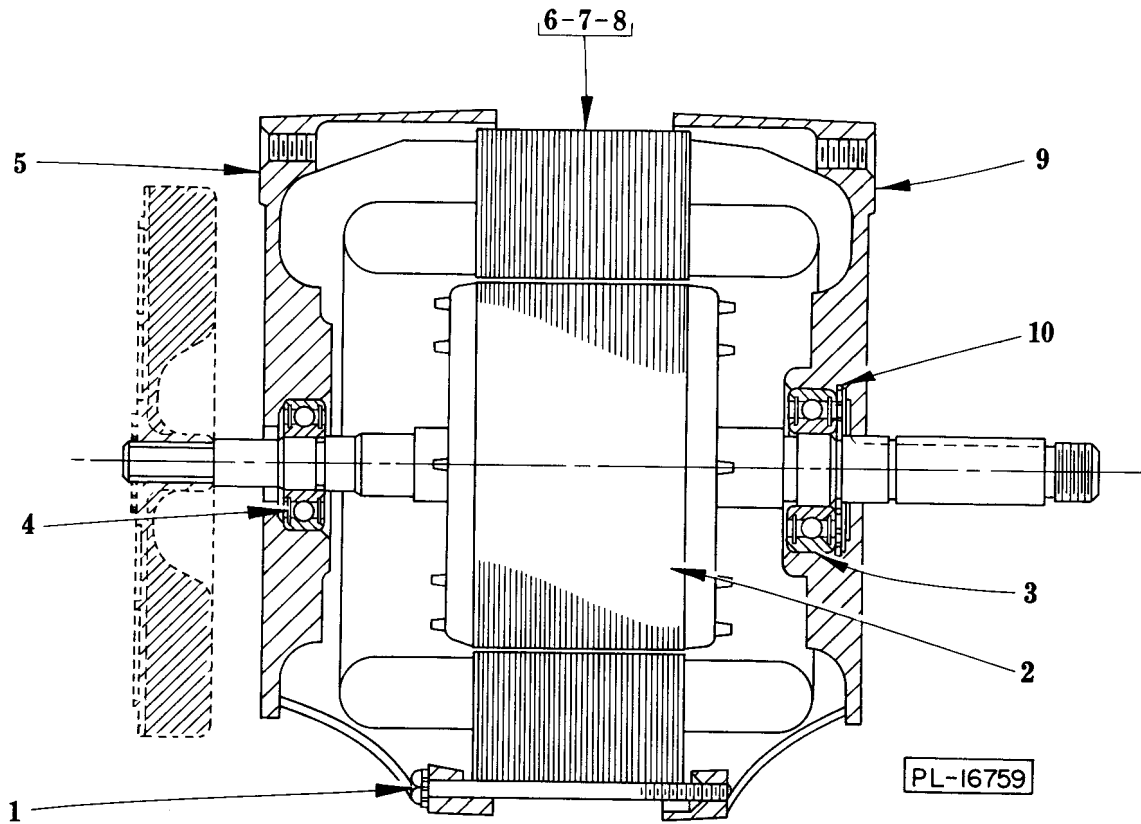


**HOBART BUILT MOTORS PARTS  
(1 PH.)**



## HOBART BUILT MOTORS PARTS (1 PH.)

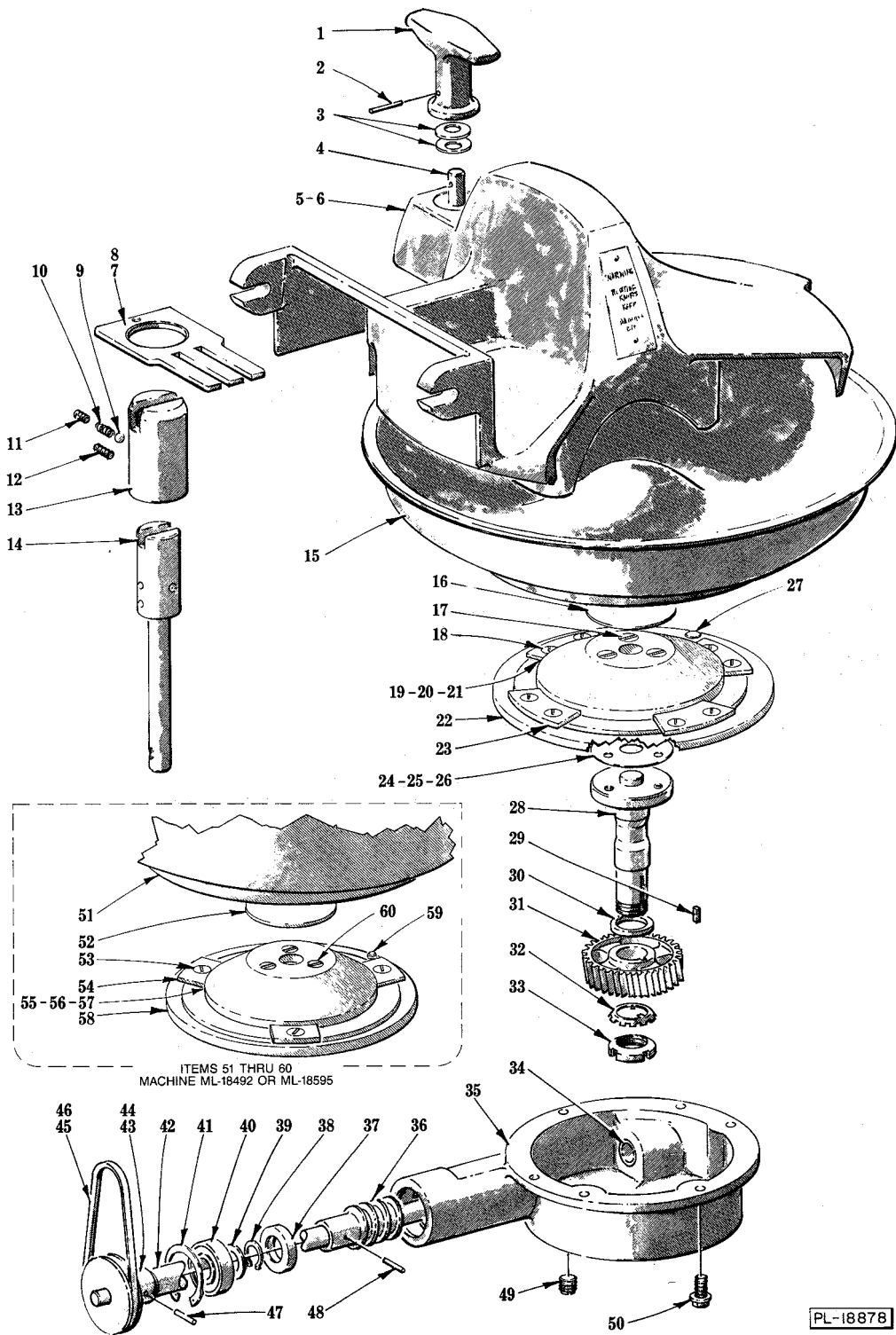
ILLUS. PL-16758	PART NO.	NAME OF PART	AMT.
1	00-101233-00003	Mach. Screw 8-32 x 3 Hex Washer Hd.....	4
2	22275-196	Rotor Assy. (60 Hz.).....	1
3	22275-200	Rotor Assy. (50 Hz.).....	1
4	BB-018-12	Ball Bearing - Fafnir #P201KDD.....	1
5	111688-4	Switch - Starting (Stationary Part).....	1
6	SD-9-34	Self-Tapping Screw 6-32 x 3/8 Phil. Pan Hd., Type F.....	2
7	65477-110-1	Stator Assy. (115 V., 60 Hz.; 100 V., 50 Hz.).....	1
8	65477-115-1	Stator Assy. (200 V., 60 Hz.).....	1
9	65477-115-2	Stator Assy. (230 V., 60 Hz.).....	1
10	65477-126-1	Stator Assy. (115 V., 50 Hz.).....	1
11	65477-126-2	Stator Assy. (220/240 V., 50 Hz.).....	1
12	00-111834	Bracket - Bearing (Drive End).....	1
13	70487-15	Capacitor.....	1
14	70486-1	Cap - Capacitor End.....	1
15	66621-3	Bracket - Capacitor.....	1
16	SD-24-16	Self-Tapping Screw 10-24 x 1/2 Phil. Flat Hd., Type TT.....	2
17	SD-15-4	Self-Tapping Screw 10-24 x 1/2 Phil. Hd., Type TT.....	2
18	116655	Plate - Elec. Mtg.....	1
19	BB-20-18	Ball Bearing - ND #77503.....	1
20	278380	Washer - Wavy.....	1
21	111835-2	NLA - Obsolete--Bracket - Bearing (Switch End).....	1



**HOBART BUILT MOTOR PARTS  
(3 PH.)**

**HOBART BUILT MOTOR PARTS  
(3 PH.)**

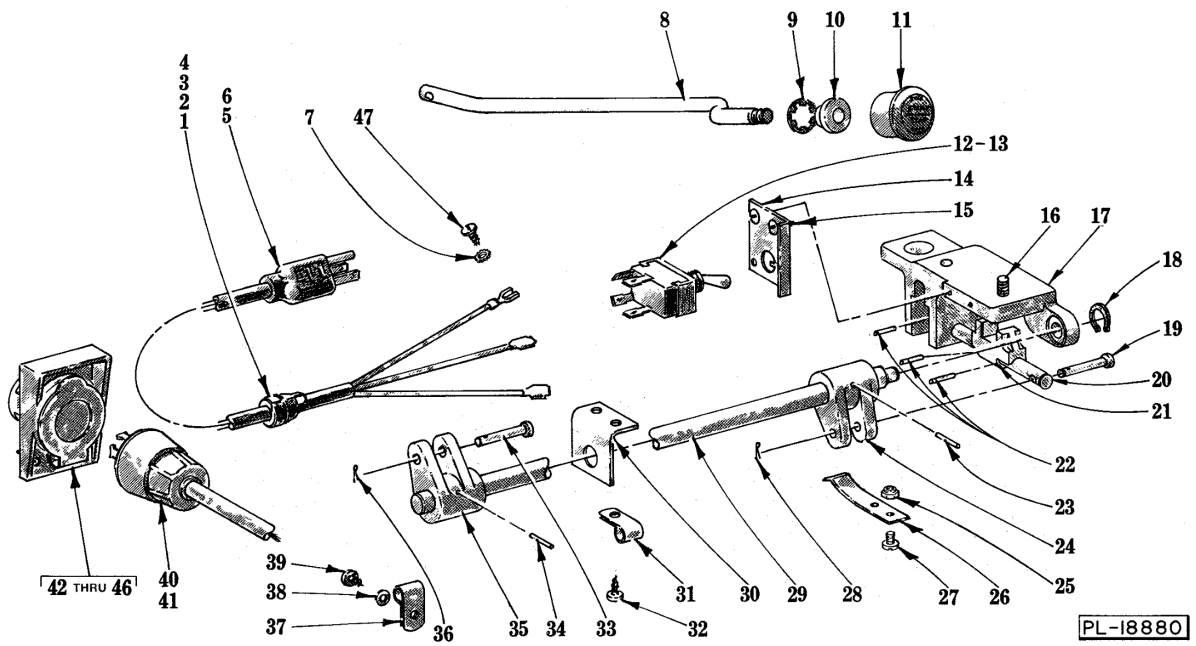
ILLUS. PL-16759	PART NO.	NAME OF PART	AMT.
1	00-101233-00003	Mach. Screw 8-32 x 3 Hex Washer Hd.....	4
2	15747-286	NLA - Obsolete--Rotor Assy.....	1
3	BB-20-18	Ball Bearing - ND #77503.....	1
4	BB-018-12	Ball Bearing - Fafnir #P201KDD.....	1
5	113905-2	NLA - Obsolete--Bracket - Bearing (Fan End).....	1
6	65478-107-1	Stator Assy. (200 V., 60 Hz.).....	1
7	65478-115-1	Stator Assy. (230/460 V., 60 Hz.).....	1
8	65478-116-1	Stator Assy. (220/240/380/415 V., 50 Hz.).....	1
9	113904-3	NLA - Obsolete--Bracket - Bearing (Drive End).....	1
10	278380	Washer - Wavy.....	1



**BOWL UNIT**

**BOWL UNIT**

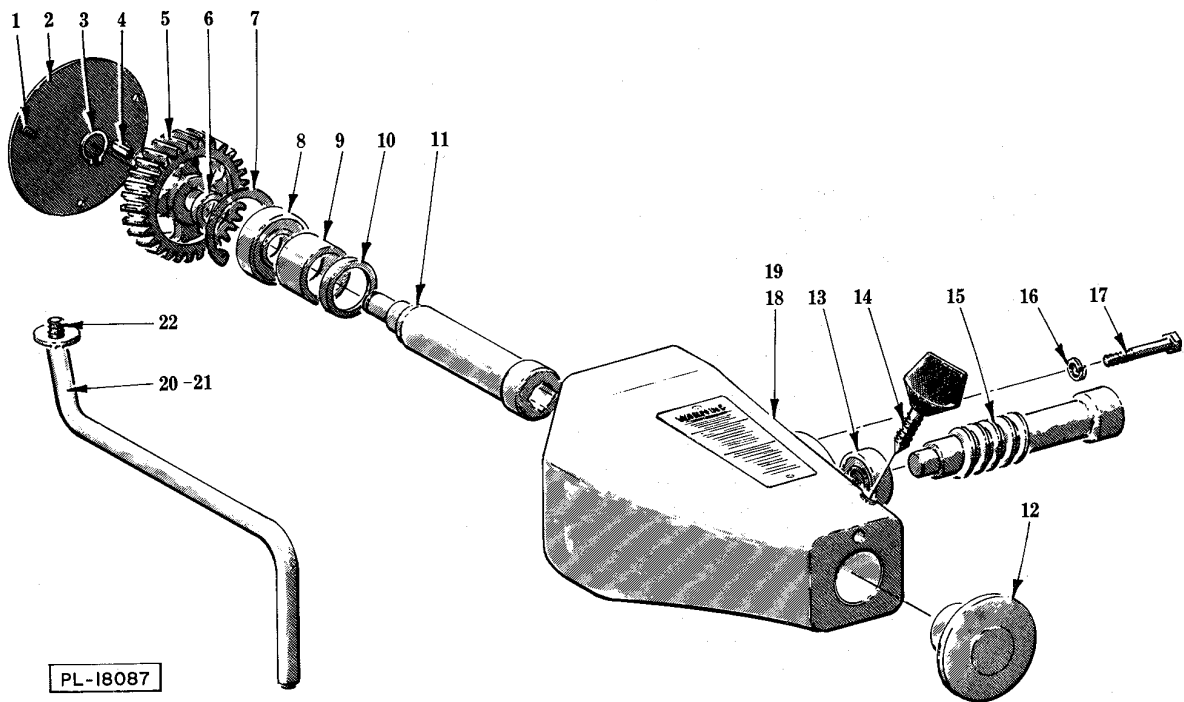
ILLUS.	PART NO.	NAME OF PART	AMT.
PL-18878			
1	116814	Knob - Locking.....	1
2	PG-3-27	Groov-Pin - Type A, 3/16 X 7/8.....	1
3	77374	Washer - Belleville.....	2
4	117168	Bolt - Interlock.....	1
5	118254	Bowl Cover & Warning Plate Assy. (60 Hz.).....	1
6	120262-2	Bowl Cover (50 Hz.).....	1
7	00-116642	Comb.....	1
8	118959	Comb (For Single Knife Only) (Not Shown).....	1
9	BA-2-10	Ball 1/4 Dia.....	1
10	77381	Spring - Ball Detent.....	1
11	SC-110-99	Set Screw 5/16-18 x 3/8 Soc. Hdls., Oval Pt.....	1
12	SC-111-01	Set Screw 5/16-18 x 1/2 Soc. Hdls., Cup Pt.....	1
13	77376	Adapter - Locking.....	1
14	00-116829	Interlock Control Shaft Assy.....	1
15	00-291586-00001	Bowl & Adapter Assy.....	1
16	116651	Cover - Bowl Support.....	1
17	SC-22-32	Mach. Screw 1/4-20 x 1/2 Flat Hd.....	3
18	SC-53-9	Mach. Screw 1/4-28 x 1/2 Truss Hd.....	8
19	00-116653-00003	Shim - Clamp (0.001 Thk.) (Amber).....	AR
20	00-116653-00001	Shim - Clamp (0.002 Thk.) (Red).....	AR
21	00-116653-00002	Shim - Clamp (0.003 Thk.) (Green).....	AR
22	291587-2	Support - Bowl (ML-33220 & ML-33221).....	1
23	78061	Clamp - Bowl Retaining (ML-33220 & ML-33221).....	4
24	116654-1	Shim - Support Shaft (.003" Thk., Green).....	AR
25	116654-2	Shim - Support Shaft (.005" Thk., Blue).....	AR
26	116654-3	Shim - Support Shaft (.010" Thk., Brown).....	AR
27	88417	Pin - Bowl Stop (ML-33220 & ML-33221).....	1
28	116627	Shaft - Bowl Support.....	1
29	12430-43	Key.....	1
30	116647	Spacer - Bowl Drive Shaft.....	1
31	116625	Gear - Bowl Drive (40T).....	1
32	WL-12-4	Lock Washer - N.D. #W-03.....	1
33	NS-34-4	Lock Nut - N.D. #N-03.....	1
34	BN-2-8	Needle Bearing - Torrington #B-108.....	1
35	116623	Case - Gear.....	1
36	77349	Worm - Bowl Drive (1T).....	1
37	116658	Seal - Bowl Drive.....	1
38	RR-4-18	Retaining Ring.....	1
39	WS-10-1	Washer.....	1
40	BB-5-30	Ball Bearing - N.D. #Z99503.....	1
41	RR-7-8	Retaining Ring.....	1
42	116626	Shaft - Bowl Drive.....	1
43	117507	Pulley - Bowl Drive (ML-18492 & ML-18595).....	1
44	291588-2	Pulley - Bowl Drive (ML-33220 & ML-33221).....	1
45	117503	"V" Belt (ML-18492 & ML-18595).....	1
46	BV-13-21	"V" Belt (ML-33220 & ML-33221).....	1
47	RP-3-14	Rollpin 3/16 Dia. x 7/8 Lg.....	1
48	RP-3-14	Rolipin 3/16 Dia. x 7/8 Lg.....	1
49	FP-28-42	Plug 1/8 Hex Soc. Hd. Pipe.....	1
50	SD-15-25	Self-Tapping Screw 1/4-20 x 5/8 Hex Washer Hd., Type TT.....	4
51	117107-1	Bowl & Adapter Assy. (ML-18492 & ML-18595).....	1
52	116651	Cover - Bowl Support.....	1
53	SC-53-9	Mach. Screw 1/4-28 x 1/2 Truss Hd.....	3
54	116639	Clamp - Bowl Retaining (ML-18492 & ML-18595).....	3
55	00-116653-00003	Shim - Clamp (0.001 Thk.) (Amber).....	AR
56	00-116653-00001	Shim - Clamp (0.002 Thk.) (Red).....	AR
57	00-116653-00002	Shim - Clamp (0.003 Thk.) (Green).....	AR
58	116619	Support - Bowl (ML-18492 & ML-18595).....	1
59	116660	Pin - Bowl Stop (ML-18492 & ML-18595).....	1
60	SC-22-32	Mach. Screw 1/4-20 x 1/2 Flat Hd.....	3
	118801	Scraper - Bowl.....	1



### SWITCH UNIT

## SWITCH UNIT

ILLUS.	PART NO.	NAME OF PART	AMT.
PL-18880			
1	FE-7-21	Strain Relief (1 Ph.).....	1
2	FE-15-38	Strain Relief (230/460 V., 60 Hz., 3 Ph.).....	1
3	FE-8-21	Strain Relief (200 V., 60 Hz., 3 Ph.).....	1
4	FE-14-47	Strain Relief (3 Ph.) (50 Hz.).....	1
5	117542-21	Cord & Plug Assy. (115 V., 50/60 Hz., 1 Ph.).....	1
6	117542-22	Cord & PLug Assy. (230 V., 60 Hz., 1 Ph.).....	1
7	WL-7-12	Lock Washer #10 Ext. Shakeproof.....	1
8	116755	Rod - Upper Switch Control.....	1
9	RR-4-17	Retaining Ring.....	1
10	117705	Bushing - Switch Rod.....	1
11	120126	Pull Knob & Label Assy.....	1
12	87711-148-1	Switch (1 Ph.).....	1
13	87711-140-1	Switch (3 Ph.).....	1
14	116759	Bracket - Switch Mounting.....	1
15	SD-24-44	Self-Tapping Screw 10-24 x 1/2 Phil. Pan Hd., Type TT.....	2
16	SD-15-25	Self-Tapping Screw 1/4-20 x 5/8 Hex Washer Hd., Type TT.....	2
17	121844	Frame - Switch Interlock.....	1
18	RR-7-10	Retaining Ring.....	1
19	77390	Pin - Clevis.....	1
20	116640-1	Shaft - Switch Interlock.....	1
21	118953	Block - Switch Actuator.....	1
22	RP-002-12	Rollpin 1/8 Dia. x 1/2 Lg.....	3
23	RP-2-36	Rollpin 1/8 Dia. x 1 Lg.....	1
24	116713	Clevis (Switch Frame End).....	1
25	NS-31-3	Stop Nut 6-32 "Elastic".....	2
26	117636	Spring.....	1
27	SC-025-23	Mach. Screw 6-32 x 1/4 Slotted Bndg. Hd. (SST).....	2
28	PC-3-23	Cotter Pin 1/16 X 1/2.....	1
29	121843	Shaft - Switch Control.....	1
30	117633	Bracket - Switch Control Rod.....	1
31	78752-4	Clamp.....	1
32	SD-15-4	Self-Tapping Screw 10-24 x 1/2 Pan Hd., Type TT.....	2
33	77390	Pin - Clevis.....	1
34	RP-2-36	Rollpin 1/8 Dia. x 1 Lg.....	1
35	116713	Clevis (Switch Rod End).....	1
36	PC-3-23	Cotter Pin 1/16 X 1/2.....	1
37	78752-4	Clamp.....	1
38	WS-002-12	Washer.....	1
39	SD-024-13	Self-Tapping Screw 8-32 x 3/8 Pan Hd., Type TT.....	1
40	122292-3	Cord & Plug Assy. (200 V., 60 Hz., 3 Ph.).....	1
41	117612-5	Cord & Plug Assy. (230 V., 60 Hz., 3 Ph.).....	1
42	123816-3	Receptacle & Cover Assy. (200 V., 60 Hz., 3 Ph.).....	1
43	123805-3	Connector & Cover Assy. (200 V., 60 Hz., 3 Ph.).....	1
44	117631-3	Receptacle (200/230 V., 60 Hz., 3 Ph.).....	1
45	117625-3	Connector - Pendent (200/230 V., 60 Hz., 3 Ph.).....	1
46	117625-2	Connector - Pendent (460 V., 60 Hz., 3 Ph.).....	1
47	SD-24-1	Self-Tapping Screw 10-24 x 3/8 Pan Hd., Type TT.....	1
	121848-1	Frame & Switch Assy.(100V.,50 Hz.,1Ph.)(115/230V.,60Hz.,1Ph.)(Incls. items 12,14 & 17) 1.....	AR
	121848-2	Frame & Switch Assy.(200/230/460 V., 60 Hz., 3 Ph.) (incls. items 13, 14 & 17).....	1
	121848-4	Frame & Switch Assy.(115/230/240 V., 50 Hz., 1 Ph.) (incls. items 12, 14 & 17).....	1
	121848-5	Frame & Switch Assy.(220/240/380/415 V., 50 Hz., 3 Ph.) (Incls. items 13, 14 & 17).....	1
	117612-7	Cord & Plug Assy.(460 V., 60 Hz., 3 Ph.) (Not Shown).....	1
	117631-2	Receptacle (460 V., 60 Hz., 3 Ph.) (Not Shown).....	1
	117542-25	I.E.C. Cord (Not Shown).....	1



**ATTACHMENT HUB & EXTENSION FOOT**



## ATTACHMENT HUB &amp; EXTENSION FOOT

ILLUS.	PART NO.	NAME OF PART	AMT.
PL-18087			
1	SC-53-2	Mach. Screw 10-24 x 1/2 Truss Hd.....	3
2	116641	Plate - Back (Attachment Hub).....	1
3	RR-4-18	Retaining Ring.....	1
4	12430-44	Key.....	1
5	116630	Gear - Attachment Drive (33T).....	1
6	116652	Spacer - Gear.....	1
7	RR-7-7	Retaining Ring.....	1
8	BB-018-43	Ball Bearing - Hoover #6204.....	1
9	83440	Bearing (Oil-less).....	1
10	70090	Seal - Oil.....	1
11	116629	Shaft - Attachment Hub Drive.....	1
12	114824-1	Plug - Attachment Hole.....	1
13	BB-005-16	Ball Bearing - #202K.....	1
14	108197-2	Thumb Screw Assy.....	1
15	116631	Shaft - Worm.....	1
16	WL-3-44	Lock Washer 5/16 Medium.....	3
17	SC-40-74	Cap Screw 5/16-18 x 2 Hex Soc. Hd.....	3
18	118255-1	Attachment Hub (Domestic) (incls. items 7, 8, 9 & 10).....	1
19	118255-2	Attachmnt Hub (Export) (Incls. items 7, 8, 9 & 10).....	1
20	117712-2	Extension Foot Assy. (Mach. with 3" Legs).....	1
21	117712-1	Extension Foot Assy. (Mach. with 4" Legs).....	1
22	119757	Shoulder Screw Assy.....	1

