



CATALOG OF REPLACEMENT PARTS



FOOD CUTTER

8186

ML-33892

ML-38753

84186

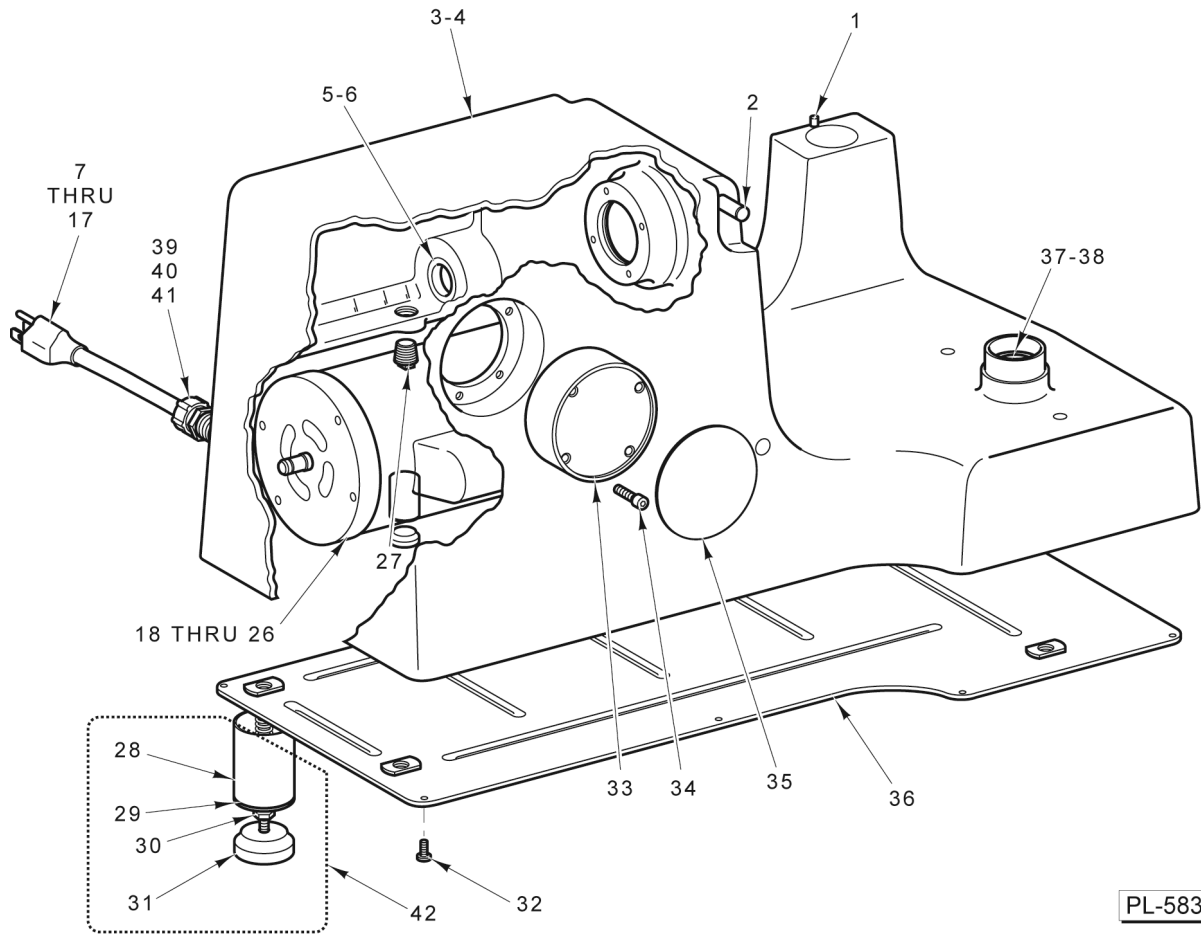
ML-33764

ML-38752

ML-136190

Table of Contents

5	BASE UNIT
7	KNIFE DRIVE UNIT
9	BOWL AND BOWL DRIVE UNIT
11	SWITCH UNIT
15	ATTACHMENT DRIVE UNIT

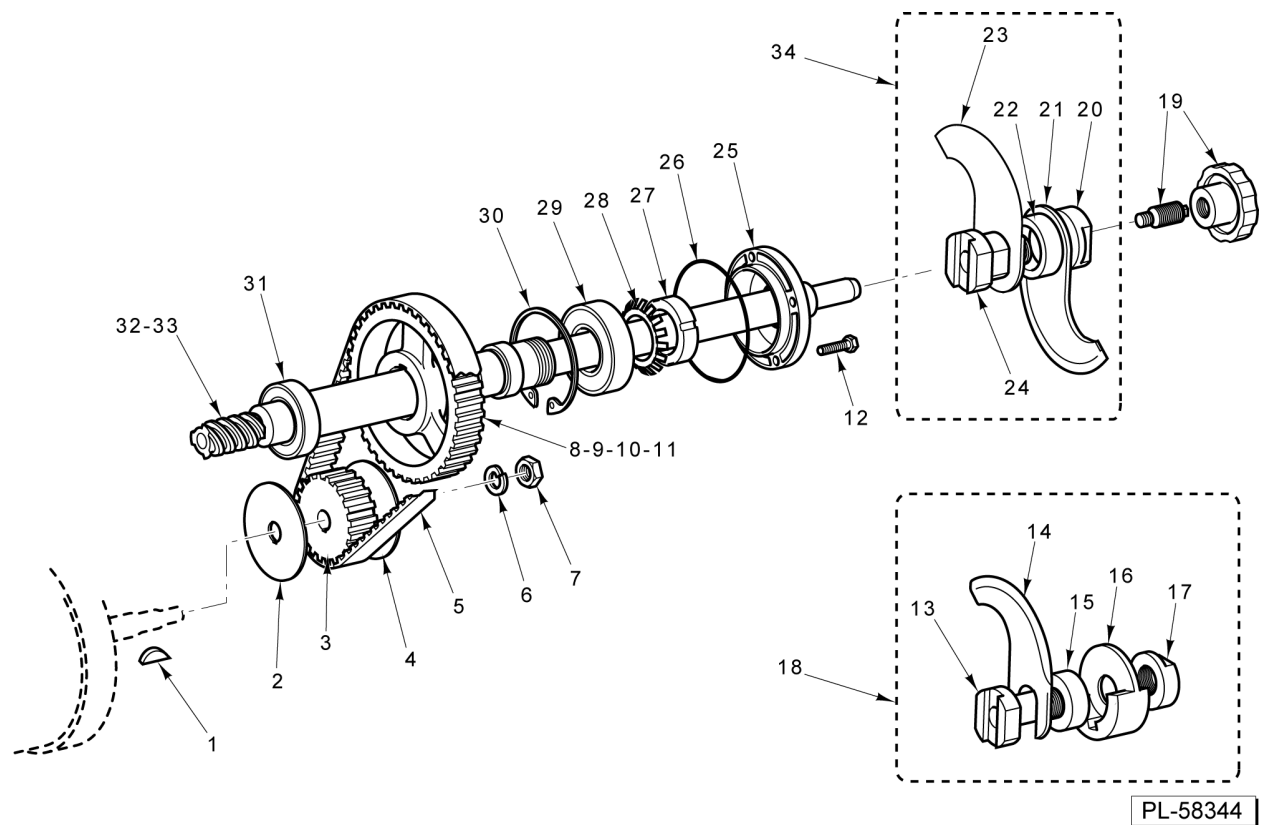


BASE UNIT

BASE UNIT

ILLUS.	PART NO.	NAME OF PART	AMT.
PL-58348			
1	00-011800-00242	Dowel.....	1
2	00-116644-00002	Pin - Bowl Cover Hinge.....	1
3	00-291766	Base Assy. (84186).....	1
4	00-291766-00002	Base Assy. (8186).....	1
5	00-291701	Insert - Rear Bearing.....	1
6	00-291692	Seal - Knife Shaft (84186).....	1
7	00-117542-00021	Cord & Plug (115 V., 60 Hz., 1 Ph.).....	1
8	00-117542-00022	Cord & Plug (230 V., 60 Hz., 1 Ph.).....	1
9	00-117613-00006	Cord & Plug (200 V., 50/60 Hz., 3 Ph.).....	1
10	00-117542-00018	Cord & Plug (220/240 V., 60 Hz., 1 Ph.).....	1
11	00-122292-00003	Cord & Plug (208 V., 60 Hz., 3 Ph.).....	1
12	00-117612-00007	Cord & Plug (460 V., 60 Hz., 3 Ph.).....	1
13	00-916909-00032	Cord & Plug (Canada 120/60/1).....	1
14	00-117542-00024	Cord & Plug Assy. (230V., 50 Hz., 1 Phase).....	1
15	00-117613-00024	Cord Assy. (I.E.C.) (380 V., 50 HZ., 3 Ph.).....	1
16	SD-024-01	Self-Tapping Screw 10-24 x 3/8 Pan Hd., Type TT (Ground).....	1
17	WL-008-13	Lockwasher #10 Internal Shakeproof.....	1
*18		Hobart Built Motor Assy.....	1
19	00-293922-00001	Motor (115-230 V., 60 Hz., 1 Ph.).....	1
20	00-293922-00002	Motor (220/240 V., 50 Hz., 1 Ph.).....	1
21	00-293923	Motor (208/200/460 V., 60 Hz., 3 Ph.) & (200/380/415 V., 50 Hz., 3 Ph.).....	1
22	SC-041-16	Cap Screw 5/16-18 x 1 3/8 Hex Hd. (SST).....	2
23	WS-005-32	Washer (SST).....	2
24	00-291284	Washer - Toothed.....	4
25	WL-003-44	Lockwasher 5/16 Helical.....	4
26	NS-013-14	Nut 5/16-18 Hex.....	4
27	FP-028-18	Plug - Pipe 3/4 (84186).....	1
28	00-077772-00002	Leg.....	4
29	00-064814	Cap - Leg End.....	4
30	00-290061-00003	Stud - Leg.....	4
31	00-083681	Foot - Rubber.....	4
32	SD-024-44	Self-Tapping Screw 10-24 x 1/2 Phil., Pan Hd., Type TT.....	10
33	00-292032-00001	Plug - Attachment Hub (8186).....	1
34	SC-089-04	Cap Screw 1/4-20 x 1 Hex Hd. (8186).....	4
35	00-292068	Disc - Trim (8186).....	1
36	00-291684	Cover - Bottom Assy.....	1
37	RR-007-07	Retaining Ring.....	2
38	BB-005-34	Bearing - Ball (Hoover #NSK6204DDUCE1VS3).....	2
39	FE-008-20	Connector - Strain Relief (1 Ph.).....	1
40	FE-008-21	Connector - Strain Relief (3 Ph., Domestic).....	1
41	FE-015-38	Connector - Strain Relief (3 Ph., Export).....	1
42	00-290574	Kit - Leg (Incls Items 27 thru 30).....	1

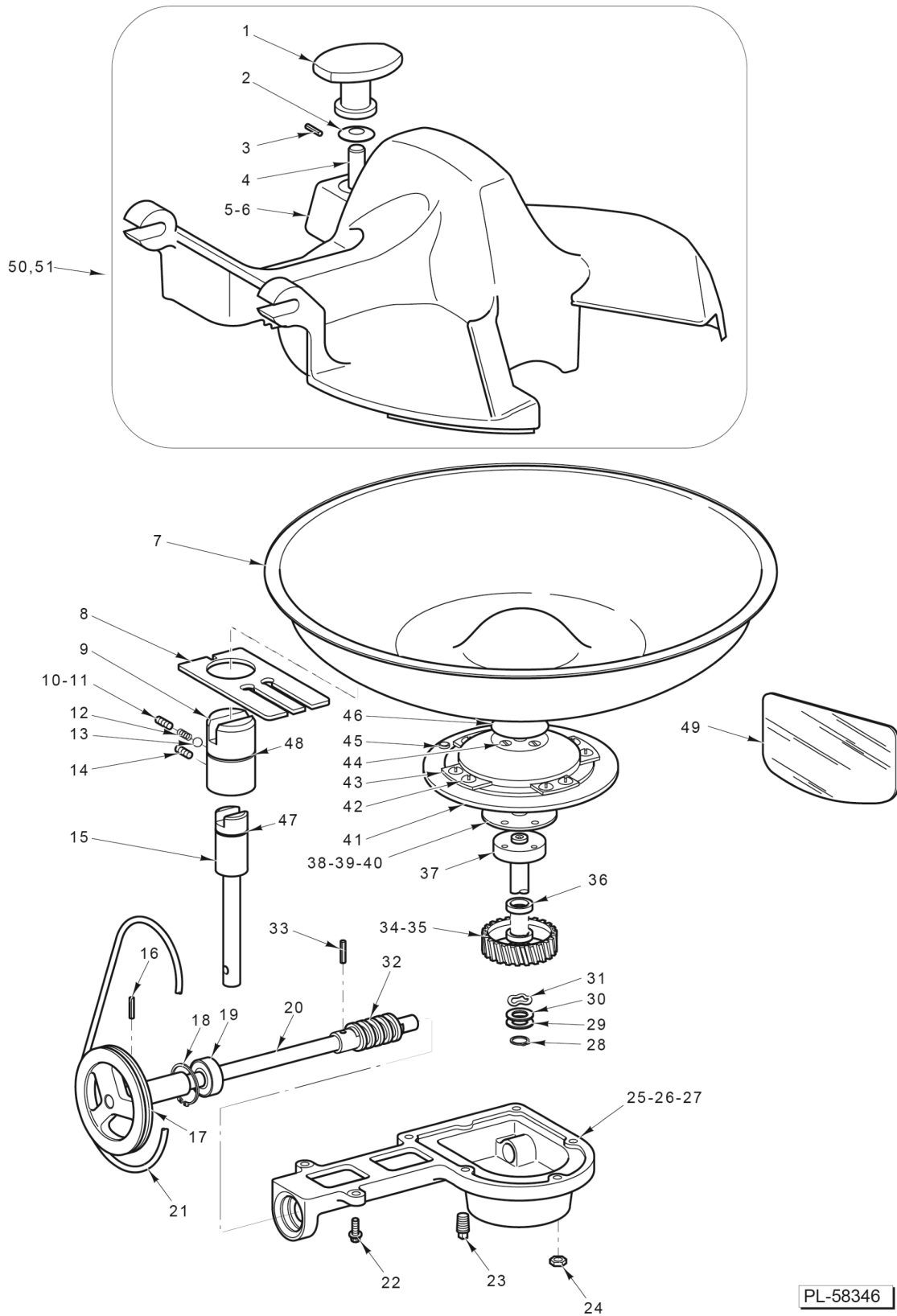
* Hobart Built Motor Assy. Discontinued. To replace, order: 00-270431-00001 (60 Hz. 1 Ph.); 00-270431-00002 (50 Hz. 1 Ph.); 00-270431-00003 (3 Ph.)



KNIFE DRIVE UNIT

KNIFE DRIVE UNIT

ILLUS. PL-58344	PART NO.	NAME OF PART	AMT.
1	KW-003-10	Key - Woodruff #606.....	1
2	00-077358	Flange - Flexa-Gear.....	1
3	00-077357	Gear - Drive (18T).....	1
4	00-077358	Flange - Flexa-Gear.....	1
5	00-077370	Gear - Flexa.....	1
6	WL-004-13	Lockwasher 1/2 Medium.....	1
7	NS-013-35	Nut 1/2-20 Hex.....	1
8	00-291634-00002	Gear - Driven (36T).....	1
9	00-012430-00142	Key 1/4 x 1/4 x 1.....	1
10	SC-110-99	Set Screw 5/16-18 x 3/8 Hdls., Oval Pt.....	2
11	SC-132-20	Set Screw M6 x 1.0 x 20mm (ML-136190).....	2
12	SC-067-08	Mach. Screw 10-24 x 7/8 Hex Hd.....	4
13	00-007157	Bushing - Knife Retaining (Not NSF Approved.).....	1
14	00-117675	Knife - Rotary (Follower) (Not NSF Approved.).....	1
15	00-103903	Collar - Bushing (Not NSF Approved.).....	1
16	00-118150	Balance Assy. & Pins (Not NSF Approved.).....	1
17	00-103904	Collar - Locking (Not NSF Approved.).....	1
18	00-117677	Knife Assy. - Single (Incls. Items 13-17).....	1
19	00-915661	Kit - Knob and Insert.....	1
20	00-071311	Collar - Locking.....	1
21	00-077373	Knife - Follower.....	1
22	00-071312	Collar - Knife Retainer Bushing.....	1
23	00-077372	Knife - Leader.....	1
24	00-071313	Bushing - Knife Retaining.....	1
25	00-291705	Cap - End (Knife End).....	1
26	00-067500-00115	O-Ring.....	1
27	NS-047-12	Lock Nut 3/8-18.....	1
28	WL-012-08	Lockwasher.....	1
29	BB-007-39	Bearing - Ball (N.D. #Z99507XR).....	1
30	RR-004-24	Ring - Retaining.....	1
31	BB-015-22	Bearing - Ball.....	1
32	00-270856	Shaft - Knife (With Attachment Hub).....	1
33	00-274303	Shaft - Knife (Without Attachment Hub).....	1
34	00-873616	Knife Assy. (Incls. Items 20-24).....	1

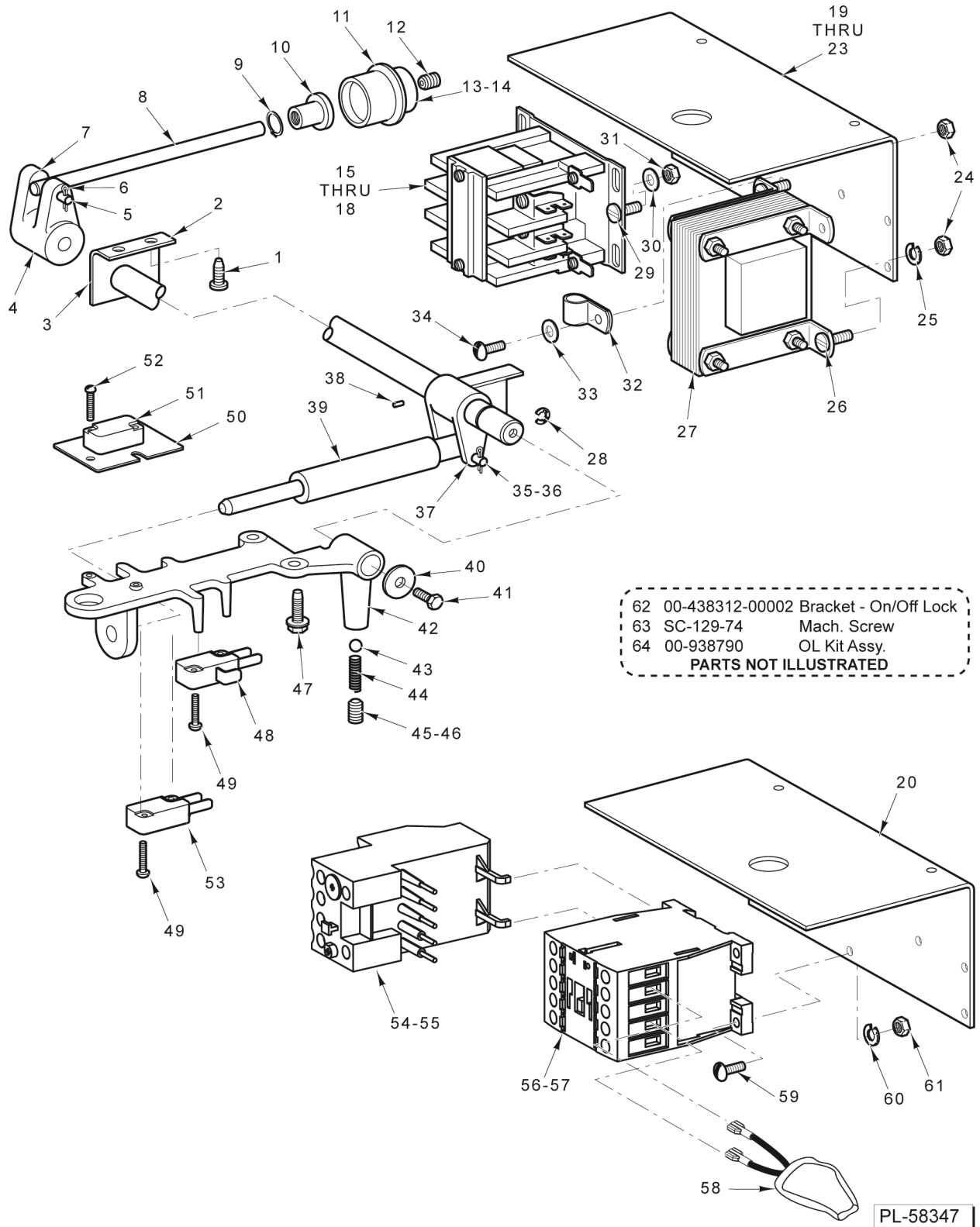


BOWL AND BOWL DRIVE UNIT

PL-58346

BOWL AND BOWL DRIVE UNIT

ILLUS.	PART NO.	NAME OF PART	AMT.
1	00-116814	Handle - Locking.....	1
2	00-077374	Washer - Belleville.....	1
3	PG-011-16	Pin - Grooved 3/16 x 7/8 Type C (SST).....	1
4	00-117168	Bolt - Interlock.....	1
5	00-290570	Bowl - Cover & Caution Plate.....	1
6	00-124739-00002	Cover - Bowl (50 Hz.).....	1
7	00-290239	Bowl & Adapter Assy.....	1
8	00-123934	Comb.....	1
9	00-077376	Adapter - Locking.....	1
10	SC-064-23	Set Screw 5/16-18 x 3/8 Hex Hdls., Oval Pt. (Nylok).....	1
11	SC-132-20	Set Screw M6 x 1.0 x 20mm (ML-136190).....	1
12	00-077381	Spring - Ball Detent.....	1
13	BA-002-10	Ball 1/4 Dia. (SST).....	1
14	SC-064-13	Set Screw 5/16-18 x 3/4 Hex Hdls., Cup Pt. (Nylok).....	1
15	00-291776	Shaft - Interlock Control Assy.....	1
16	RP-003-14	Pin - Roll 3/16 x 7/8.....	1
17	00-291789-00002	Pulley - Horizontal Bowl Drive.....	1
18	RR-007-08	Retaining Ring.....	1
19	BB-005-30	Bearing - Ball.....	1
20	00-436488	Shaft - Horizontal Bowl Drive.....	1
21	00-291704	Belt - Round.....	1
22	SD-015-25	Self-Tapping Screw 1/4-20 x 5/8 Hex Washer Hd., Type TT.....	2
23	FP-028-42	Plug - Pipe 1/8.....	1
24	NS-013-14	Nut 5/16-18 Hex.....	6
25	00-291785	Case - Gear (Incls. Items 25 & 26).....	1
26	BN-002-09	Bearing - Needle.....	1
27	00-291686	Seal - Bowl Drive Gear.....	1
28	RR-004-20	Retaining Ring.....	1
29	WS-011-01	Washer.....	1
30	WS-010-20	Washer.....	AR
31	SL-003-02	Spring - Loading.....	1
32	00-077349	Worm - Horizontal Bowl Drive Shaft.....	1
33	RP-003-14	Pin - Roll 3/16 x 7/8.....	1
34	00-291693-00002	Gear - Vertical Bowl Drive (51T).....	1
35	00-012430-00047	Key 3/16 x 3/16 x 11/16.....	1
36	00-116647	Spacer - Bowl Drive.....	1
37	00-291773	Shaft - Vertical Bowl Drive.....	1
38	00-116654-00001	Shim (0.003 Thk.).....	AR
39	00-116654-00002	Shim (0.005 Thk.).....	AR
40	00-116654-00003	Shim (0.010 Thk.).....	AR
41	00-291587-00002	Support - Bowl.....	1
42	SC-053-09	Mach. Screw 1/4-28 x 1/2 Truss Hd.....	8
43	00-078061	Clamp - Bowl Support.....	4
44	SC-022-32	Mach. Screw 1/4-20 x 1/2 Slotted Flat Hd. (SST).....	3
45	00-088417	Pin - Bowl Stop.....	1
46	00-116651	Cover - Bowl Support.....	1
47	00-067500-00010	O-Ring.....	1
48	00-067500-00014	O-Ring.....	1
49	00-118801	Scraper - Bowl.....	1
50	00-290910-00001	Cover - Bowl & Locking Knob Assy. (Incls. Items 1 thru 5).....	1
51	00-290910-00002	Cover - Bowl & Locking Knob Assy. (Incls. Items 1 thru 4, & 6).....	1
52	00-436489	Shaft - Horizontal Bowl Drive Assy. (Incls. Items 16, 17, 19, & 20).....	1



SWITCH UNIT

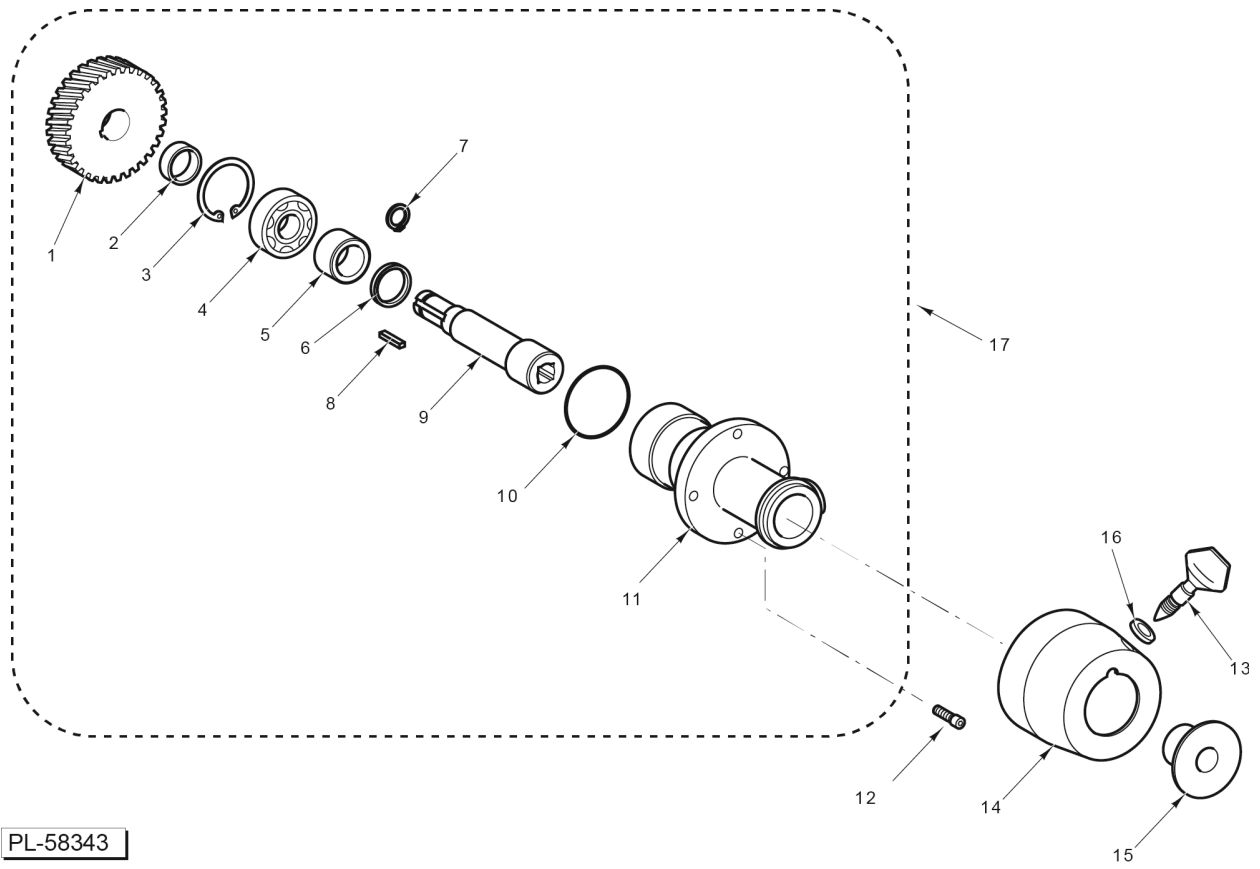
SWITCH UNIT

ILLUS.	PART NO.	NAME OF PART	AMT.
PL-58347			
1	SD-024-44	Self-Tapping Screw 10-24 x 1/2 Pan Hd., Type TT.....	2
2	00-117633	Bracket - Switch Control Rod.....	1
3	00-291698	Shaft - Switch Control.....	1
4	RP-002-36	Pin - Roll 1/8 x 1.....	1
5	00-077390	Pin - Clevis.....	1
6	PC-003-23	Pin - Cotter 1/16 x 1/2.....	1
7	00-116713	Clevis.....	1
8	00-291697	Rod - On/Off.....	1
9	RR-004-17	Ring - Retaining.....	1
10	00-117705	Bushing - Switch Rod.....	1
11	00-120126	Knob - Pull & Label Assy. (Incls. Items 12 & 13).....	1
12	SC-047-95	Set Screw 5/16-18 x 1/4 Hdls., Cup Pt.....	1
13	00-119604	Label - Knob (Start/Stop).....	1
14	00-290955	Label - On/Off (Bi-Lingual).....	AR
15	00-087713-038-2	Contacto (30 A., 2 Pole) (115 V. Coil).....	1
16	00-087713-038-1	Contacto (30 A., 2 Pole) (220 V. Coil).....	1
17	00-087713-040-2	Contacto (30 A., 3 Pole) (115 V. Coil).....	1
18	00-087713-040-1	Contacto (30 A., 3 Pole) (220 V. Coil).....	1
19	SD-024-44	Self-Tapping Screw 10-24 x 1/2 Pan Hd., Type TT.....	2
20	00-270532	Bracket - Electrical.....	1
21	SC-027-30	Mach. Screw 8-32 x 1/2 Slotted Rd. Hd. (Brass).....	1
22	WL-008-13	Lockwasher #10 Internal Shakeproof.....	1
23	NS-009-12	Nut 8-32 Hex.....	1
24	NS-009-22	Nut 10-24 Hex.....	4
25	WL-003-24	Lockwasher #10 Medium.....	2
26	SC-018-01	Mach. Screw 10-24 x 3/8 Slotted Pan Hd.....	2
26	00-101935	Transformer - Step Down (VA-50) (380 V., 50 Hz., 3 Ph. / 460 V., 60 Hz., 3 Ph.).....	1
28	RR-004-25	Ring - Retaining.....	1
29	SC-018-01	Mach. Screw 10-24 x 3/8 Slotted Pan Hd.....	2
30	WL-003-24	Lockwasher #10 Medium.....	2
31	NS-009-22	Nut.....	10
32	00-078752-00012	Clamp 3/8.....	1
33	WL-008-13	Lockwasher #10 Internal Shakeproof.....	1
34	SC-008-10	Mach. Screw 10-24 x 1/2 Slotted Rd. Hd.....	1
35	PC-003-23	Pin - Cotter 1/16 x 1/2.....	1
36	00-077390	Pin - Clevis.....	1
37	00-291780-00001	Clevis - Switch End.....	1
38	RP-002-36	Pin - Roll 1/8 x 1.....	1
39	00-291757	Pin - Interlock Bar.....	1
40	WS-023-19	Washer.....	1
41	SC-068-07	Mach. Screw 10-24 x 3/8 Hex Hd.....	1
42	00-291700-00002	Frame - Switch Interlock.....	1
43	BA-002-10	Ball 1/4 Dia.....	1
44	00-077381	Spring - Ball Detent.....	1
45	SC-064-23	Set Screw 5/16-18 x 3/8 Hdls., Hex Hd., Oval Pt.....	1
46	SC-132-20	Set Screw M6 x 1.0 x 20mm (ML-136190).....	1
47	SD-015-25	Self-Tapping Screw 1/4-20 x 5/8 Hex Washer Hd., Type TT.....	2
48	00-087711-202-1	Switch - Miniature.....	1
49	SC-060-40	Mach. Screw 4-40 x 5/8 Slotted Rd. Hd.....	AR
50	00-291805	Insulator - Snap Switch.....	1
51	00-087711-201-2	Switch.....	1
52	SC-060-40	Mach. Screw 4-40 x 5/8 Slotted Rd. Hd.....	2
53	00-087711-202-1	Switch - Miniature (ML-136190 Only).....	1
54	00-914739-00002	Overload (ML-136190 Only).....	1
55	00-914739-00003	Overload 10.0-16.0 (Canada 120/60/1).....	1

SWITCH UNIT

ILLUS.	PART NO.	NAME OF PART	AMT.
PL-58347			
56	00-914738	Contactora (ML-136190 Only).....	1
57	00-916903-00003	Contactora (Canada 120/60/1).....	1
58	00-438074-00002	Snubber Assy. (ML-136190 Only).....	1
59	SC-025-17	Mach. Screw 6-32 x 5/8 Slotted Bndg. Hd. (SST) (ML-136190 Only).....	2
60	WL-006-42	Lockwasher #6 Medium (ML-136190 Only).....	2
61	NS-011-07	Nut 6-32 Hex (SST) (ML-136190 Only).....	2
62	00-438312-00002	Bracket - On/Off Lock (Correctional Pkg.).....	1
63	SC-129-74	Mach. Screw 10-24 x 1/2 Tx. Button Hd. (SST) (Correctional Pkg.).....	4
64	00-938790	OL Kit Assy. (Canada Only - If replacing 120/60/1 Siemens/Furnas Contactora or OL, order Kit).....	1

NOTES



PL-58343

ATTACHMENT DRIVE UNIT

ATTACHMENT DRIVE UNIT

ILLUS. PL-58343	PART NO.	NAME OF PART	AMT.
1	00-291703	Gear - Attachment Hub (20 T).....	1
2	00-292031	Spacer - Attachment Hub.....	1
3	RR-006-02	Retaining Ring.....	1
4	BB-007-52	Ball Bearing.....	1
5	00-083440	Bearing - Powdered Iron.....	1
6	00-070090	Seal - Oil.....	1
7	RR-004-09	Ring - Retaining.....	1
8	00-012430-00047	Key - Attachment Hub.....	1
9	00-291689	Shaft - Attachment Hub.....	1
10	00-067500-00054	O-Ring.....	1
11	00-291635	Hub & Bearing Assy. (Incls. Items 5 & 6).....	1
12	SC-089-04	Cap Screw 1/4-20 x 1 Hex Hd.....	4
13	00-291702	Screw - Thumb Assy.....	1
*14	00-292908	Cap - Trim.....	1
15	00-917221	Plug - Attachment.....	1
16	00-079537	Grommet - Thumb Screw.....	1
17	00-291753	Hub - Attachment Assy. (Incls. Items 1 thru 11).....	1

* If replacing original trim cap order items 14 & 16.

