

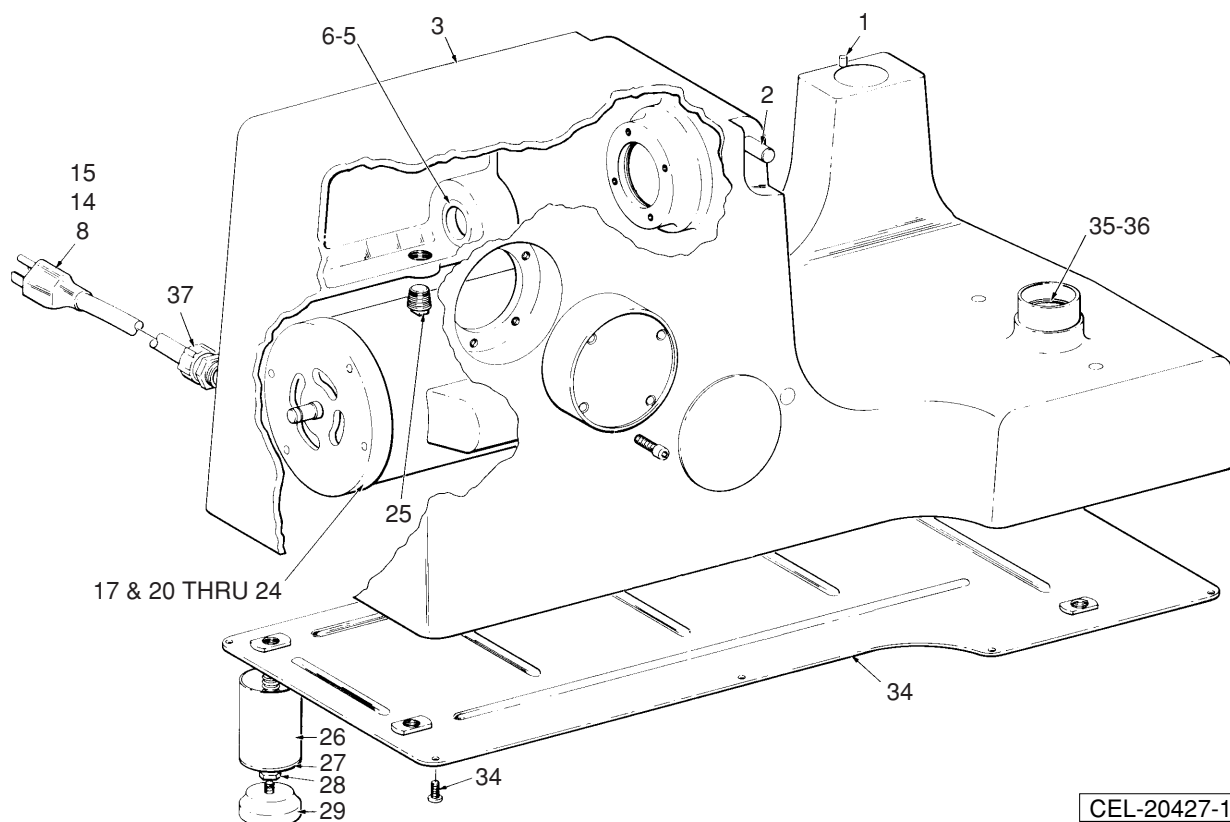


**CATALOG OF  
REPLACEMENT PARTS**



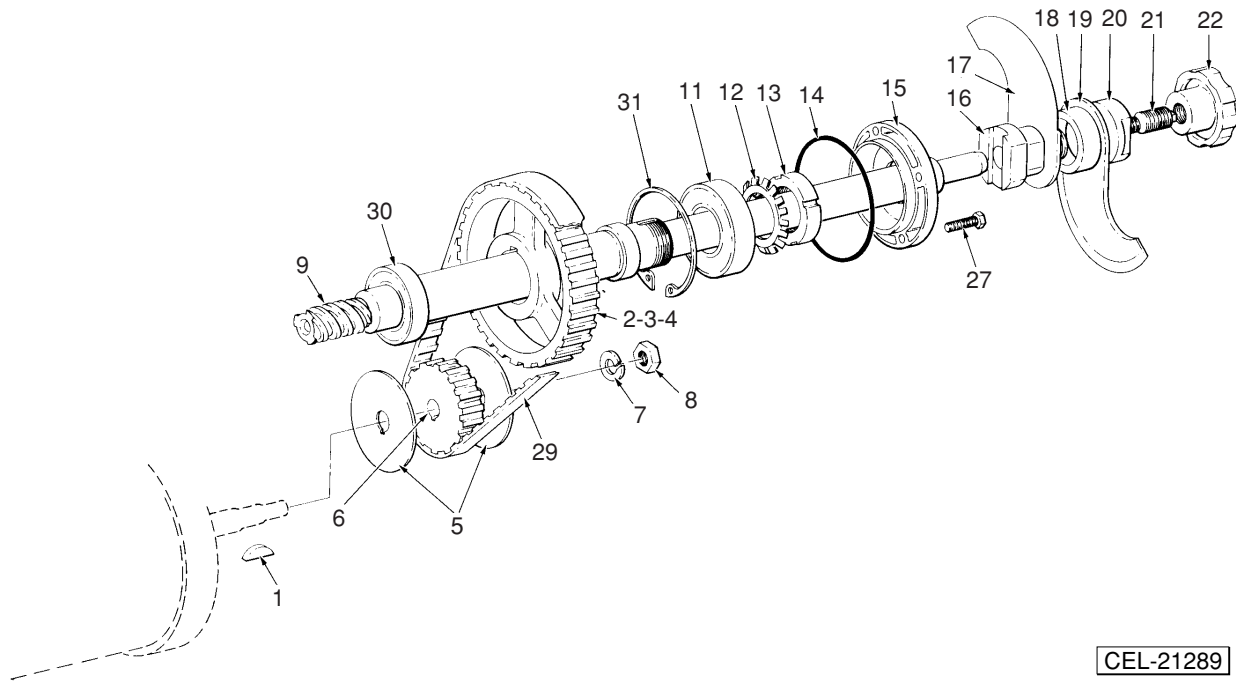
**MODEL 84186  
FOOD CUTTER**

(INCLUDES MOTOR PARTS)  
ML-33895



**BASE UNIT**

ILLUS.	PART	NAME OF PART	AMT.
CEL-20427-1	NO.		
1	11800-242	Dowel .....	1
2	116644-2	Pin - Bowl Cover Hinge .....	1
3	291766	Base, Bearings & Interlock Control Shaft Assy. (84186) .....	1
5	291701	Insert (Pulley End) .....	1
6	291692	Seal - Knife Shaft (84186) .....	1
8	117542-22	Cord & Plug (230 V., 60 Hz., 1 Ph.) .....	1
14	SD-24-1	Self-Tapping Screw 10-24 x 3/8 Pan Hd., Type TT (Ground) .....	1
15	WL-8-13	Lockwasher 10 Int. Shakeproof .....	1
17	293922-1	Other than Hobart Built Motor Assy. (115-230 V., 60 Hz., 1 Ph.) .....	1
20	SC-41-15	Cap Screw 5/16-18 x 1 1/4 Hex Hd. ....	2
21	WS-5-32	Washer .....	2
22	291284	Washer - Toothed .....	4
23	WL-3-44	Lock Washer 5/16 Medium .....	4
24	NS-13-14	Mach. Nut 5/16-18 Hex .....	4
25	FP-28-18	Plug - Pipe 3/4 (84186) .....	1
26	77772-2	Leg .....	4
27	64814	Cap - Leg End .....	4
28	290061-3	Stud - Leg .....	4
29	83681	Foot - Rubber .....	4
30	SD-24-44	Self-Tapping Screw 10-24 x 1/2 Phil., Pan Hd., Type TT .....	10
34	291684	Bottom Cover Assy. ....	1
35	RR-7-7	Retaining Ring .....	2
36	BB-5-34	Ball Bearing - Hoover #NSK6204DDUCE1VS3 .....	2
37	FE-8-20	Connector - Strain Relief (Single Phase) .....	1
	290574	Leg Kit (Incls. items 26 thru 29) .....	1

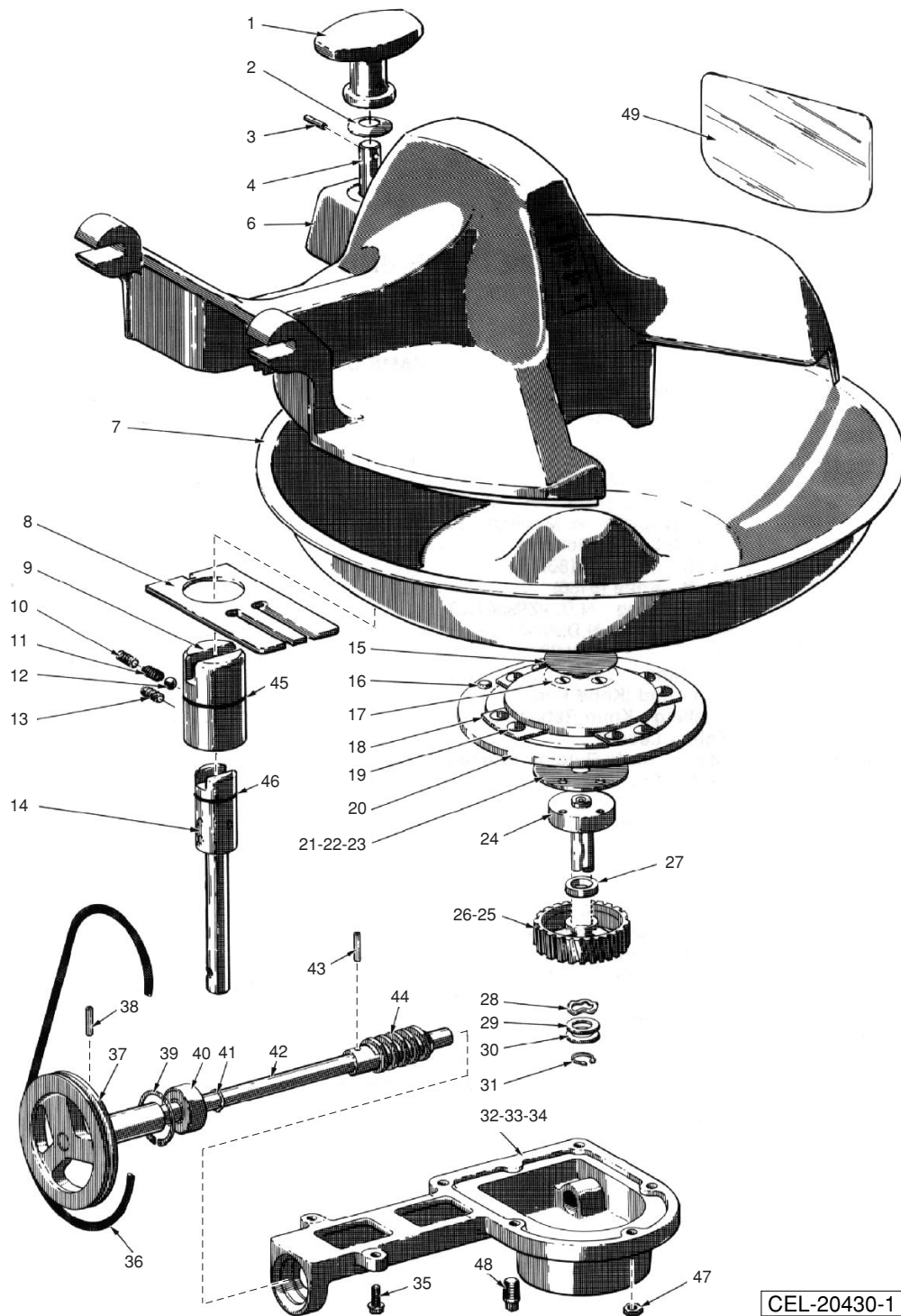


CEL-21289

**KNIFE DRIVE UNIT**

ILLUS. CEL-21289	PART NO.	NAME OF PART	AMT.
1	KW-3-10	Key - #606 Woodruff .....	1
2	291634-2	Gear - Driven (36T) .....	1
3	12430-142	Key - 1/4 x 1/4 x 1 .....	1
4	SC-110-99	Set Screw 3/16-18 x 3/8 Hdls., Oval Pt. ....	2
5	77358	Flange - Flexa-Gear .....	2
6	77357	Gear - Drive (18T) .....	1
7	WL-4-13	Lock Washer - 1/2 Medium .....	1
8	NS-13-35	Full Nut 1/2-10 Hex .....	1
9	270856	Shaft - Knife (84186) .....	1
11	BB-7-39	Ball Bearing - N.D. #Z99507XR .....	1
12	WL-12-8	Lock Washer N.D. #W-07 .....	1
13	NS-47-12	Lock Nut N.D. #N-07 .....	1
14	67500-115	"O" Ring .....	1
15	291705	Cap - End (Knife End) .....	1
16	71313	Bushing - Knife Retaining .....	1
17	77372	Knife - Leader .....	1
18	71312	Collar - Knife Retainer Bushing .....	1
19	77373	Knife - Follower .....	1
20	71311	Collar - Locking .....	1
21	78398	Insert - Knife Shaft .....	1
22	77371	Knob - Fluted .....	1
27	SC-67-8	Mach. Screw 10-24 x 7/8 Hex Hd. ....	4
29	77370	Flexa-Gear .....	1
30	BB-15-22	Ball Bearing - Fafnir #9107KDD .....	1
31	RR-4-24	Retaining Ring .....	1
	101790	Knife Assy. (Incls. items 16 thru 20) .....	1

\* Not NSF Approved.

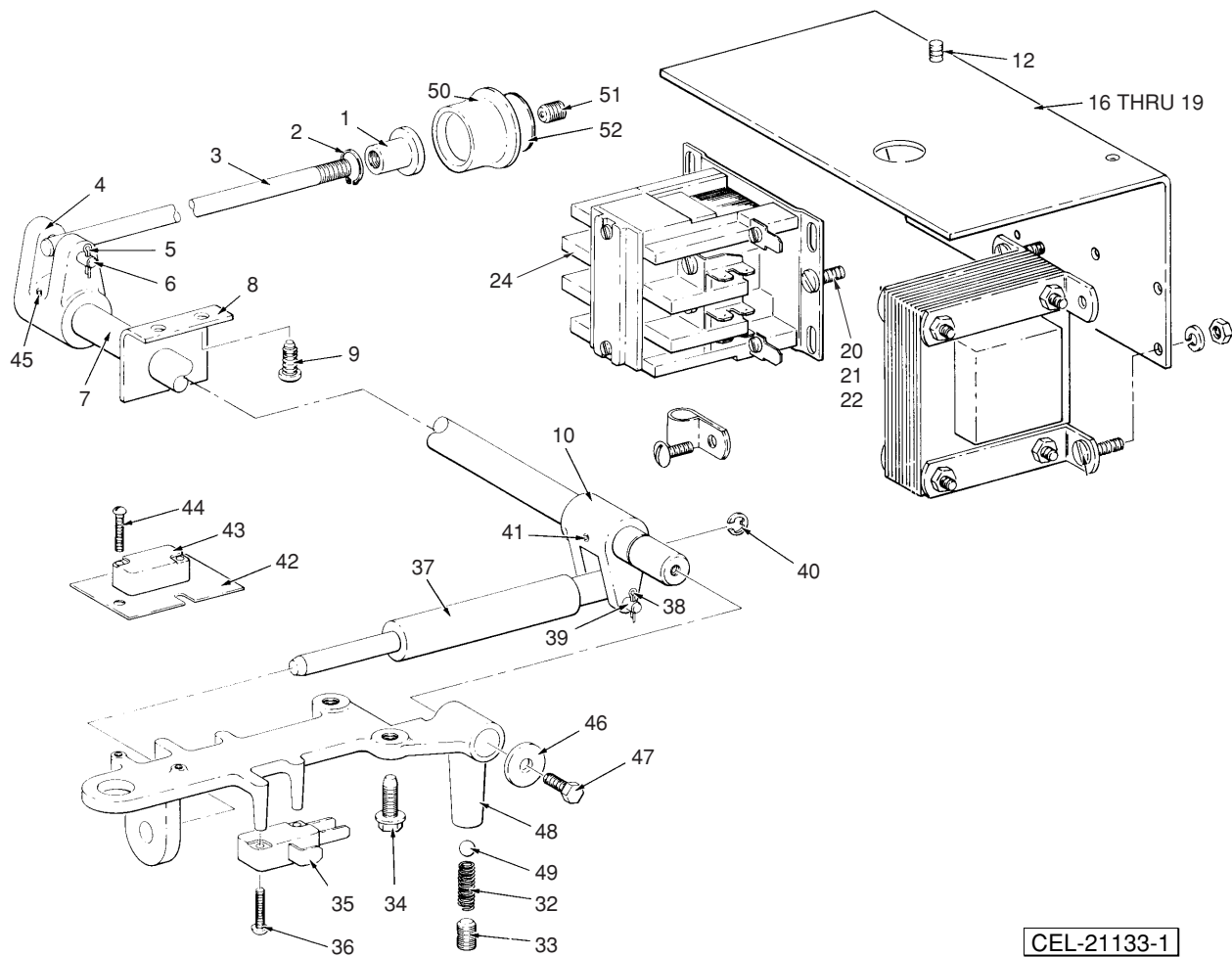


CEL-20430-1

**BOWL AND BOWL DRIVE UNIT**

## BOWL AND BOWL DRIVE UNIT

ILLUS. CEL-20430-1	PART NO.	NAME OF PART	AMT.
1	116814	Handle Locking .....	1
2	77374	Washer - Belleville .....	1
3	PG-3-27	Groov-Pin - Type A, $\frac{3}{16} \times \frac{7}{8}$ .....	1
4	117168	Bolt - Interlock .....	1
5	290570	Bowl Cover & Caution Plate Assy. (60 Hz.) .....	1
7	290239	Bowl & Adapter Assy. ....	1
8	123934	Comb .....	1
9	77376	Adapter - Locking .....	1
10	SC-64-23	Set Screw - $\frac{5}{16}$ -18 x $\frac{3}{8}$ Soc. Hdls., Oval Pt. "Nylok" .....	1
11	77381	Spring - Ball Detent .....	1
12	BA-2-10	Ball - $\frac{1}{4}$ Dia. ....	1
13	SC-64-13	Set Screw - $\frac{5}{16}$ -18 x $\frac{3}{4}$ Soc. Hdls., Cup Pt. "Nylok" .....	1
14	291776	Interlock Control Shaft Assy. ....	1
15	116651	Cover - Bowl Support .....	1
16	88417	Pin - Bowl Stop .....	1
17	SC-22-32	Mach. Screw $\frac{1}{4}$ -20 x $\frac{1}{2}$ Flat Hd. ....	3
18	78061	Clamp - Bowl Support .....	4
19	SC-53-9	Mach. Screw - $\frac{1}{4}$ -28 x $\frac{1}{2}$ Truss Hd. ....	8
20	291587-2	Support - Bowl .....	1
21	116654-1	Shim - Bowl Adjusting (.003 Thk., Green) .....	AR
22	116654-2	Shim - Bowl Adjusting (.005 Thk., Blue) .....	AR
23	116654-3	Shim - Bowl Adjusting (.010 Thk., Brown) .....	AR
24	291773	Shaft - Vertical Bowl Drive .....	1
25	291693-2	Gear - Vertical Bowl Drive (51T) .....	1
26	12430-47	Key - $\frac{3}{16} \times \frac{3}{16} \times \frac{1}{16}$ .....	1
27	116647	Spacer - Bowl Drive .....	1
28	SL-3-2	Spring - Loading .....	1
29	WS-10-20	Washer .....	AR
30	WS-11-1	Washer .....	1
31	RR-4-20	Retaining Ring .....	1
32	291785	Case - Gear (Incls. items 33 & 34) .....	1
33	BN-2-9	Needle Bearing .....	1
34	291686	Seal - Bowl Drive Gear .....	1
35	SD-15-25	Self-Tapping Screw $\frac{1}{4}$ -20 x $\frac{5}{8}$ Hex Washer Hd., Type TT .....	2
36	291704	Belt - Round .....	1
37	291789-2	Pulley - Horizontal Bowl Drive .....	1
38	RP-3-14	Roll Pin $\frac{3}{16}$ Dia. x $\frac{7}{8}$ Lg. ....	1
39	RR-7-8	Retaining Ring .....	1
40	BB-5-30	Ball Bearing - N.D. #Z99503XR .....	1
41	RR-4-18	Retaining Ring .....	1
42	291688	Shaft - Horizontal Bowl Drive .....	1
43	RP-3-14	Roll Pin $\frac{3}{16}$ Dia. x $\frac{7}{8}$ Lg. ....	1
44	77349	Worm - Horizontal Bowl Drive Shaft (1T) .....	1
45	67500-14	"O" Ring .....	1
46	67500-10	"O" Ring .....	1
47	NS-13-14	Mach. Nut $\frac{5}{16}$ -18 Hex .....	6
48	FP-28-42	Pipe Plug $\frac{1}{8}$ Sq. Hd. ....	1
49	118801	Scraper - Bowl .....	1
	290910-1	Bowl Cover & Locking Knob Assy. (60 Hz.) (Incls. items 1 thru 5) .....	1
	291786	Shaft - Horizontal Bowl Drive Assy. (Incls. items 37, 38, 40, 41 & 42) .....	1
	102973-73	Mobil Gear 634 (16 oz.) .....	1

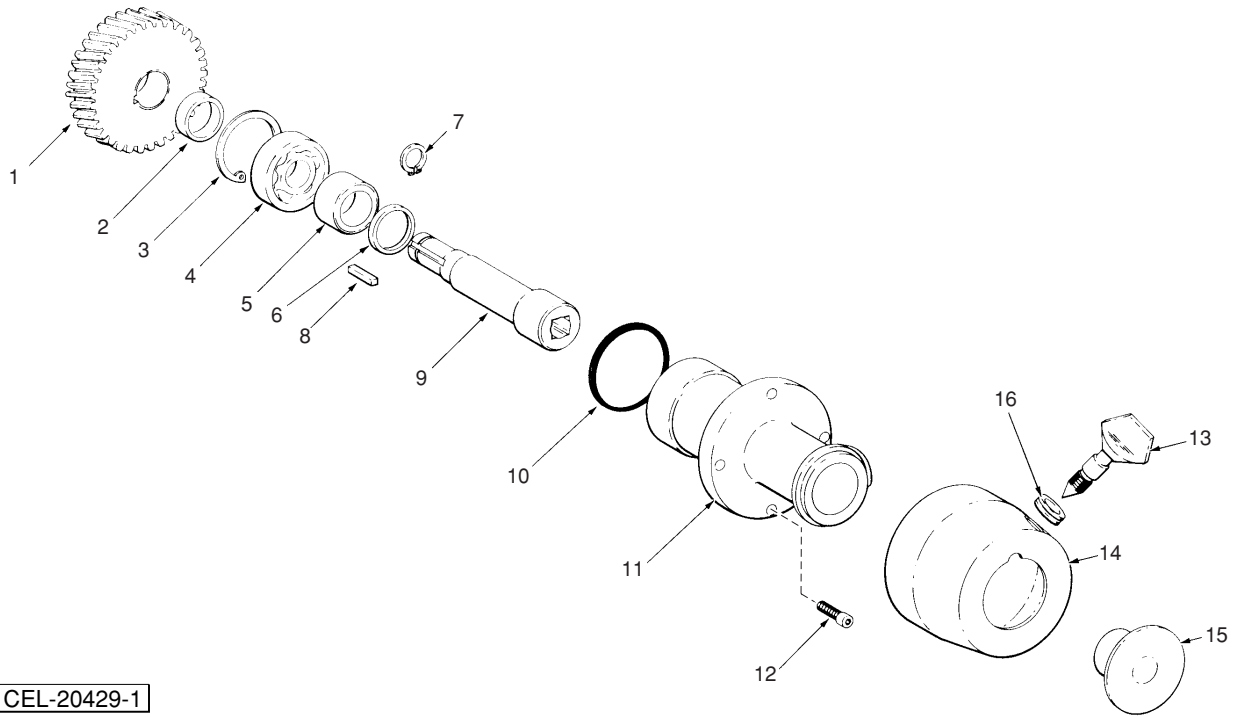


CEL-21133-1

SWITCH UNIT

## SWITCH UNIT

ILLUS. CEL-21133-1	PART NO.	NAME OF PART	AMT.
1	117705	Bushing - Switch Rod .....	1
2	RR-4-17	Retaining Ring .....	1
3	291697	Rod - On/Off .....	1
4	116713	Clevis .....	1
5	PC-3-23	Cotter Pin $\frac{1}{16}$ x $\frac{1}{2}$ .....	1
6	77390	Pin - Clevis .....	1
7	291698	Shaft - Switch Control .....	1
8	117633	Bracket - Switch Control Rod .....	1
9	SD-15-4	Self-Tapping Screw 10-24 x $\frac{1}{2}$ Pan Hd., Type TT .....	2
10	291780-1	Clevis - Switch End .....	1
12	SD-15-4	Self-Tapping Screw 10-24 x $\frac{1}{2}$ Pan Hd., Type TT .....	2
16	270532	Bracket - Electrical .....	1
17	SC-27-30	Mach. Screw 8-32 x $\frac{1}{2}$ Rd. Hd. (Common Ground) .....	1
18	WL-8-13	Lock Washer 10 Int. Shakeproof .....	1
19	NS-9-12	Mach. Nut 8-32 Hex .....	1
20	SC-18-1	Mach. Screw 10-24 x $\frac{3}{8}$ Pan Hd. ....	2
21	WL-3-24	Lock Washer 10 Medium .....	2
22	NS-9-22	Mach. Nut 10-24 Hex .....	2
24	87713-38-1	Contactoer 2 Pole (220 Volt Coil) .....	1
31	88196-12-6	Overload Relay (6.0A - 10.0A) .....	1
32	77381	Spring - Ball Detent .....	1
33	SC-64-23	Set Screw $\frac{5}{16}$ -18 x $\frac{3}{8}$ Hdls., Oval Pt. ....	1
34	SD-15-25	Self-Tapping Screw $\frac{1}{4}$ -20 x $\frac{5}{8}$ Hex Washer Hd., Type TT .....	2
35	87711-202-1	Switch - Miniature .....	AR
36	SC-60-40	Mach. Screw 4-40 x $\frac{5}{8}$ Rd. Hd. ....	AR
37	291757	Pin - Interlock Bar .....	1
38	PC-3-23	Cotter Pin $\frac{1}{16}$ x $\frac{1}{2}$ .....	1
39	77390	Pin - Clevis .....	1
40	RR-4-25	Retaining Ring .....	1
41	RR-2-36	Roll Pin $\frac{1}{8}$ Dia. x 1 Lg. ....	1
42	291805	Insulator - Snap Switch .....	1
43	87711-201-2	Switch .....	1
44	SC-60-40	Mach. Screw 4-40 x $\frac{5}{8}$ Rd. Hd. ....	2
45	RP-2-36	Roll Pin $\frac{1}{8}$ Dia. x 1 Lg. ....	1
46	WS-23-19	Washer .....	1
47	SC-68-7	Mach. Screw 10-24 x $\frac{3}{8}$ Hex Hd. ....	1
48	291700-2	Frame - Switch Interlock .....	1
49	BA-2-10	Ball $\frac{1}{4}$ Dia. ....	1
50	120126	Pull Knob & Label Assy. (Incls. items 51 & 52) .....	1
51	SC-47-95	Set Screw $\frac{5}{16}$ -18 x $\frac{1}{4}$ Soc. Hdls., Cup Pt. ....	1
52	119601	Label - Knob (Start/Stop) .....	1
53	78752-12	Clamp $\frac{1}{4}$ .....	1
54	SC-8-10	Mach. Screw 10-24 x $\frac{1}{2}$ Rd. Hd. ....	1
55	WL-8-13	Lock Washer 10 Int. Shakeproof .....	1
56	NS-9-22	Mach. Nut 10-24 Hex .....	1



CEL-20429-1

**ATTACHMENT DRIVE UNIT**

ILLUS.	PART NO.	NAME OF PART	AMT.
1	291703	Gear - Attachment Hub (20T) .....	1
2	292031	Spacer - Attachment Hub .....	1
3	RR-6-2	Retaining Ring .....	1
4	BB-7-52	Ball Bearing Fafnir 2205KDD .....	1
5	83440	Bearing (Oil-less) .....	1
6	70090	Seal - Oil .....	1
7	RR-4-9	Retaining Ring .....	1
8	12430-47	Key - Attachment Hub .....	1
9	291689	Shaft - Attachment Hub .....	1
10	67500-54	"O" Ring - Attachment Hub .....	1
11	291635	#12 Attachment Hub & Bearing (Incls. items 5 & 6) .....	1
12	SC-89-4	Cap Screw 1/4-20 x 1 Hex Hd. ....	4
13	291702	Thumb Screw Assy. ....	1
*14	292908	Cap - Trim .....	1
15	114824-1	Plug - Attachment Hole .....	1
16	79537	Grommet - Thumb Screw .....	1
	103881-22	Lubricant/Container (Marfak MP2) (16 oz.) .....	1

\* Previous Trim Cap did not require grommet. To replace, order item 14 Trim Cap & item 16 Grommet.