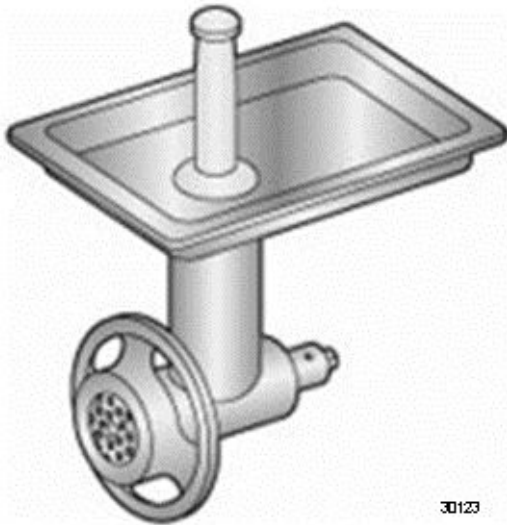




CATALOG OF REPLACEMENT PARTS

Chopper Attachments



00-089767-00001 #22 FS Chopper Attachment

00-119860-00006 #22 NSF Chopper Attachment

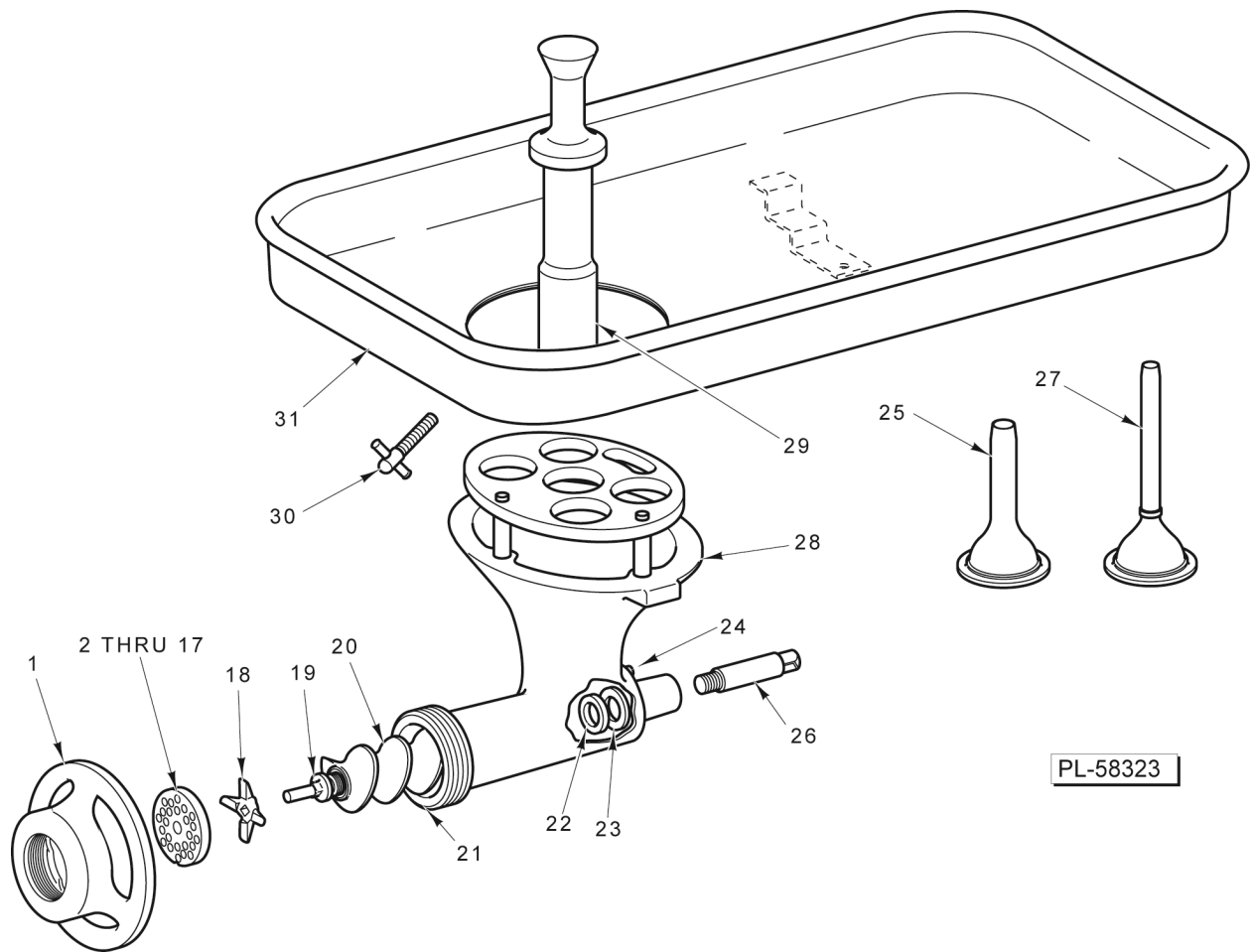
00-119860-00001 #12 Chopper Attachment (Tinned)

00-119860-00003 #12 Chopper Attachment (Brite)

00-295746 #12 Chopper Attachment (Tinned/Round Pan)

Table of Contents

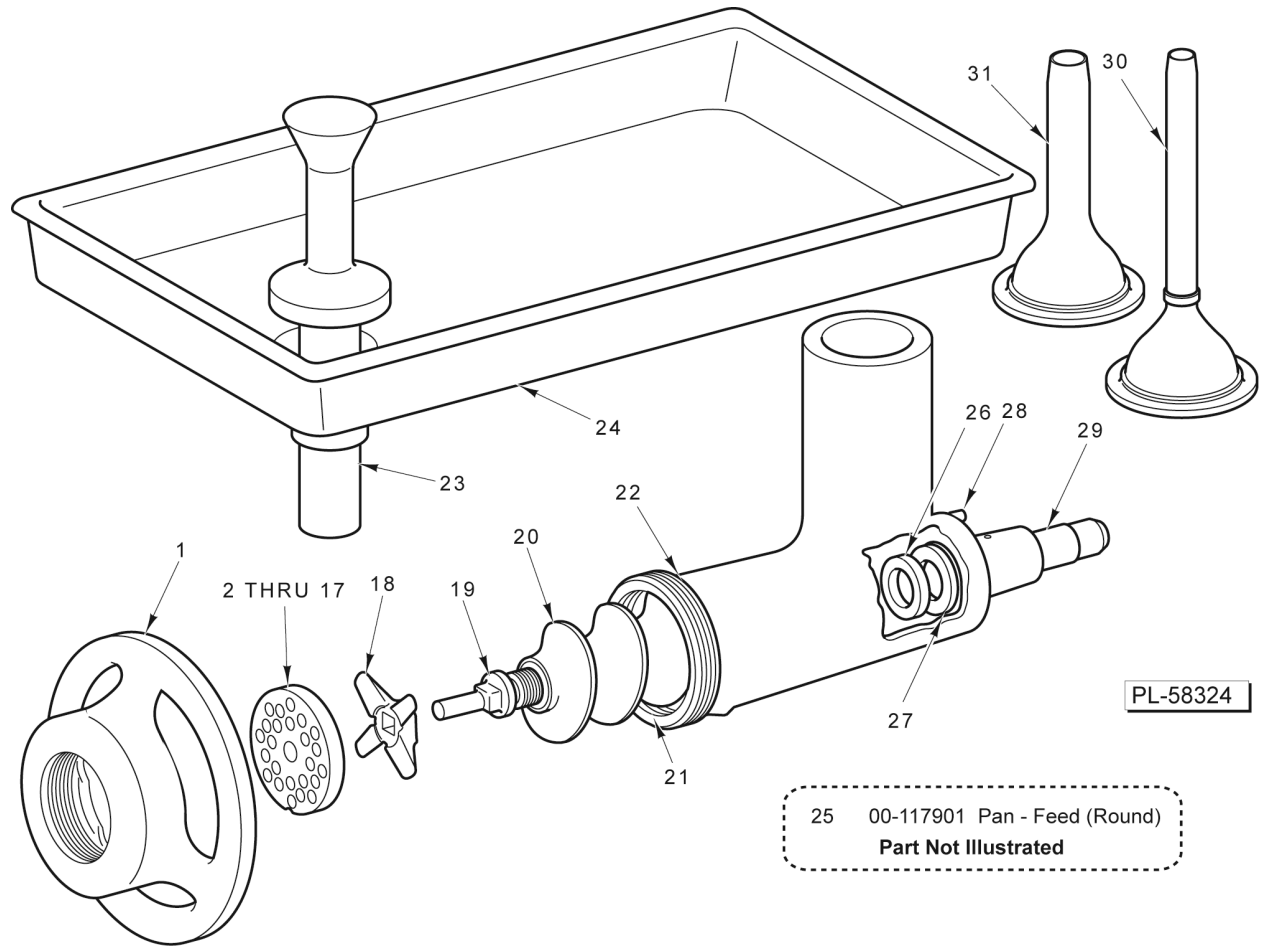
5	#22 CHOPPER ATTACHMENT (FS)
7	#22 CHOPPER ATTACHMENT (NSF)
9	#12 CHOPPER ATTACHMENT



#22 CHOPPER ATTACHMENT (FS)

#22 CHOPPER ATTACHMENT (FS)

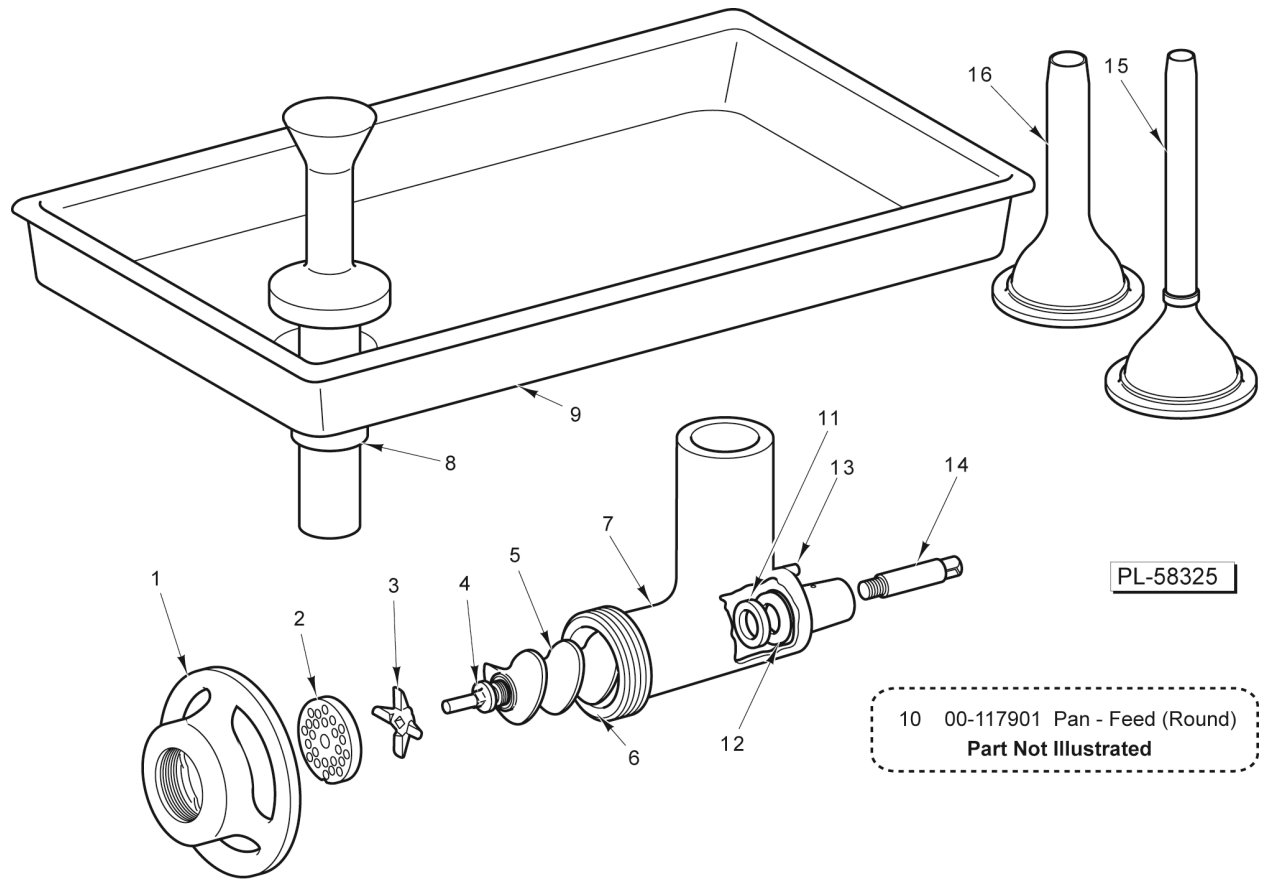
ILLUS.	PART NO.	NAME OF PART	AMT.
	PL-PL-58323		
1	00-077643-00002	Ring - Adjusting.....	1
2	00-016430-00001	Chopper Plate (1/8 In. Dia. Holes) (Carbon Steel).....	1
3	00-016431-00001	Chopper Plate (3/16 In. Dia. Holes) (Carbon Steel).....	1
4	00-016432-00001	Chopper Plate (1/4 In. Dia. Holes) (Carbon Steel).....	1
5	00-016433-00001	Chopper Plate (3/8 In. Dia. Holes) (Carbon Steel).....	1
6	00-016434-00001	Chopper Plate (1/2 In. Dia. Holes) (Carbon Steel).....	1
7	00-103969-00001	Chopper Plate (5/8 In. Dia. Holes) (Carbon Steel).....	1
8	00-016436-00001	Chopper Plate (3/4 In. Dia. Holes) (Carbon Steel).....	1
9	00-016437-00001	Chopper Plate (15/16 In. Dia. Holes) (Carbon Steel).....	1
10	00-016430-00002	Chopper Plate (1/8 In. Dia. Holes) (Stay Sharp).....	1
11	00-016431-00002	Chopper Plate (3/16 In. Dia. Holes) (Stay Sharp).....	1
12	00-016432-00002	Chopper Plate (1/4 In. Dia. Holes) (Stay Sharp).....	1
13	00-016433-00002	Chopper Plate (3/8 In. Dia. Holes) (Stay Sharp).....	1
14	00-016434-00002	Chopper Plate (1/2 In. Dia. Holes) (Stay Sharp).....	1
15	00-103969-00002	Chopper Plate (5/8 In. Dia. Holes) (Stay Sharp).....	1
16	00-016436-00002	Chopper Plate (3/4 In. Dia. Holes) (Stay Sharp).....	1
17	00-016437-00002	Chopper Plate (15/16 In. Dia. Holes) (Stay Sharp).....	1
18	00-290372	Knife - Chopper (Stay Sharp).....	1
19	00-015880	Stud - Plate.....	1
20	00-068338	Worm Assy.....	1
21	00-122983	Pin - Plate.....	1
22	00-004221	Washer - Worm Thrust.....	1
23	00-004839-00001	Washer - Cylinder Thrust.....	1
24	00-011800-00221	Dowel.....	1
25	00-295182	Stuffer - Sausage (Hog Casing) (Packaged).....	1
26	00-007201	Stud - Square Drive.....	1
27	00-295184	Stuffer - Sausage (Sheep Casing) (Packaged).....	1
28	00-085386	Chopper Cylinder & Guard Assy. (Guard 1-3/8 High) (Includes items 21 and 24).....	1
29	00-089272-00008	Feed Stomper (Plastic).....	1
30	00-022306	Clamp Screw Assy.....	1
31	00-437381	Feed Pan Assy. (SST) (Includes item 30).....	1



#22 CHOPPER ATTACHMENT (NSF)

#22 CHOPPER ATTACHMENT (NSF)

ILLUS.	PART NO.	NAME OF PART	AMT.
	PL-PL-58324		
1	00-077643-00002	Ring - Adjusting (Tinned).....	1
2	00-016430-00001	Chopper Plate (1/8 In. Dia. Holes) (Carbon Steel).....	1
3	00-016431-00001	Chopper Plate (3/16 In. Dia. Holes) (Carbon Steel).....	1
4	00-016432-00001	Chopper Plate (1/4 In. Dia. Holes) (Carbon Steel).....	1
5	00-016433-00001	Chopper Plate (3/8 In. Dia. Holes) (Carbon Steel).....	1
6	00-016434-00001	Chopper Plate (1/2 In. Dia. Holes) (Carbon Steel).....	1
7	00-103969-00001	Chopper Plate (5/8 In. Dia. Holes) (Carbon Steel).....	1
8	00-016436-00001	Chopper Plate (3/4 In. Dia. Holes) (Carbon Steel).....	1
9	00-016437-00001	Chopper Plate (15/16 In. Dia. Holes) (Carbon Steel).....	1
10	00-016430-00002	Chopper Plate (1/8 In. Dia. Holes) (Stay Sharp).....	1
11	00-016431-00002	Chopper Plate (3/16 In. Dia. Holes) (Stay Sharp).....	1
12	00-016432-00002	Chopper Plate (1/4 In. Dia. Holes) (Stay Sharp).....	1
13	00-016433-00002	Chopper Plate (3/8 In. Dia. Holes) (Stay Sharp).....	1
14	00-016434-00002	Chopper Plate (1/2 In. Dia. Holes) (Stay Sharp).....	1
15	00-103969-00002	Chopper Plate (5/8 In. Dia. Holes) (Stay Sharp).....	1
16	00-016436-00002	Chopper Plate (3/4 In. Dia. Holes) (Stay Sharp).....	1
17	00-016437-00002	Chopper Plate (15/16 In. Dia. Holes) (Stay Sharp).....	1
18	00-290372	Knife - Chopper (Stay Sharp).....	1
19	00-015880	Stud - Plate.....	1
20	00-015881	Worm Assy.....	1
21	00-122983	Pin - Plate.....	1
22	00-119760-00001	Chopper Cylinder Assy. (Tinned) (Includes items 21 and 27).....	1
23	00-119922-00001	Feed Stomper.....	1
24	00-122555	Pan - Feed (Rectangular).....	1
25	00-117901	Pan - Feed (Round).....	1
26	00-004221	Washer - Worm Thrust.....	1
27	00-004839-00001	Washer - Cylinder Thrust.....	1
28	00-011800-00221	Dowel.....	1
29	00-007201	Stud - Square Drive.....	1
30	00-295184	Stuffer - Sausage (Sheep Casing) (Packaged).....	1
31	00-295182	Stuffer - Sausage (Hog Casing) (Packaged).....	1



#12 CHOPPER ATTACHMENT

#12 CHOPPER ATTACHMENT

ILLUS.	PART NO.	NAME OF PART	AMT.
	PL-PL-58325		
1	00-077667-00001	Ring - Adjusting (Brite Metal).....	1
	00-077667-00002	Ring - Adjusting (Tinned).....	1
2	00-016423-00001	Chopper Plate (1/8 In. Dia. Holes) (Carbon Steel).....	1
	00-016424-00001	Chopper Plate (3/16 In. Dia. Holes) (Carbon Steel).....	1
	00-016425-00001	Chopper Plate (1/4 In. Dia. Holes) (Carbon Steel).....	1
	00-016426-00001	Chopper Plate (3/8 In. Dia. Holes) (Carbon Steel).....	1
	00-016427-00001	Chopper Plate (1/2 In. Dia. Holes) (Carbon Steel).....	1
	00-103970-00001	Chopper Plate (5/8 In. Dia. Holes) (Carbon Steel).....	1
	00-016429-00001	Chopper Plate (11/16 In. Dia. Holes) (Carbon Steel).....	1
	00-019263-00001	Chopper Plate (5/64 In. Dia. Holes) (Carbon Steel).....	1
	00-016423-00002	Chopper Plate (1/8 In. Dia. Holes) (Stay Sharp).....	1
	00-016424-00002	Chopper Plate (3/16 In. Dia. Holes) (Stay Sharp).....	1
	00-016425-00002	Chopper Plate (1/4 In. Dia. Holes) (Stay Sharp).....	1
	00-016426-00002	Chopper Plate (3/8 In. Dia. Holes) (Stay Sharp).....	1
	00-016427-00002	Chopper Plate (1/2 In. Dia. Holes) (Stay Sharp).....	1
	00-103970-00002	Chopper Plate (5/8 In. Dia. Holes) (Stay Sharp).....	1
	00-016429-00002	Chopper Plate (11/16 In. Dia. Holes) (Stay Sharp).....	1
3	00-290339	Knife - Chopper.....	1
4	00-015877	Stud - Plate.....	1
5	00-015878	Worm Assy. (Incls. Items 4, 12, & 14).....	1
6	00-122999	Pin - Plate.....	1
7	00-119759-00001	Chopper Cylinder Assy. (Tinned) (Incls. Items 21 & 28).....	1
	00-119759-00003	Chopper Cylinder Assy. (Brite Metal) (Incls. Items 21 & 28).....	1
8	00-119922-00001	Feed Stomper.....	1
9	00-122555	Pan - Feed (Rectangular).....	1
10	00-117901	Pan - Feed (Round) (Mixer - Food Cutter).....	AR
11	00-003310	Washer - Worm Thrust.....	1
12	00-004838-00001	Washer - Cylinder Thrust.....	1
13	00-079213	Stud - Locating.....	1
14	00-004284	Stud - Square Drive.....	1
15	00-295180	Stuffer - Sausage (Sheep Casing) (Packaged).....	1
16	00-295181	Stuffer - Sausage (Hog Casing) (Packaged).....	1

