



CATALOG OF REPLACEMENT PARTS

MODEL FP150 FOOD PROCESSOR

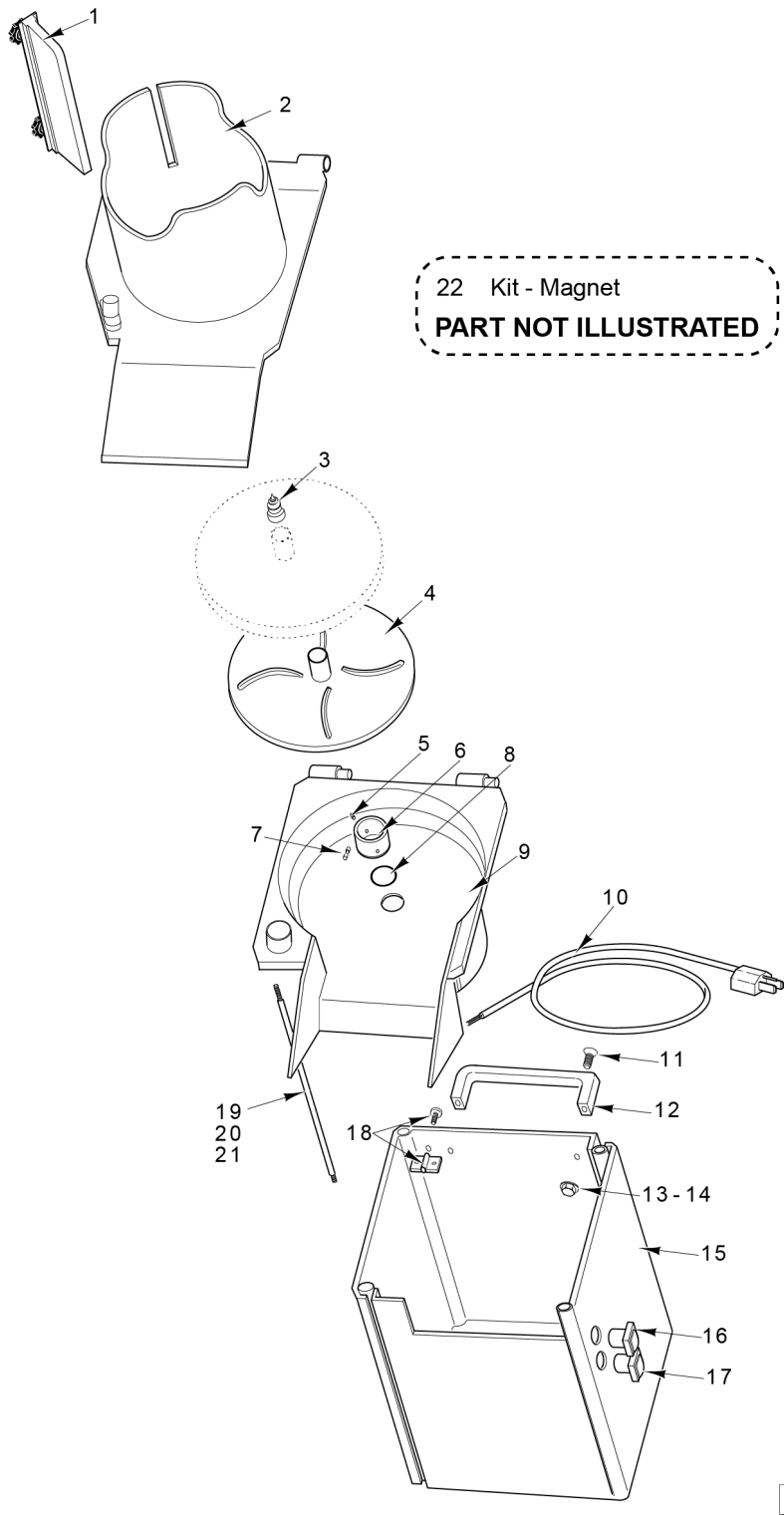


ML-104600
ML-134180

FP150
FP150C

Table of Contents

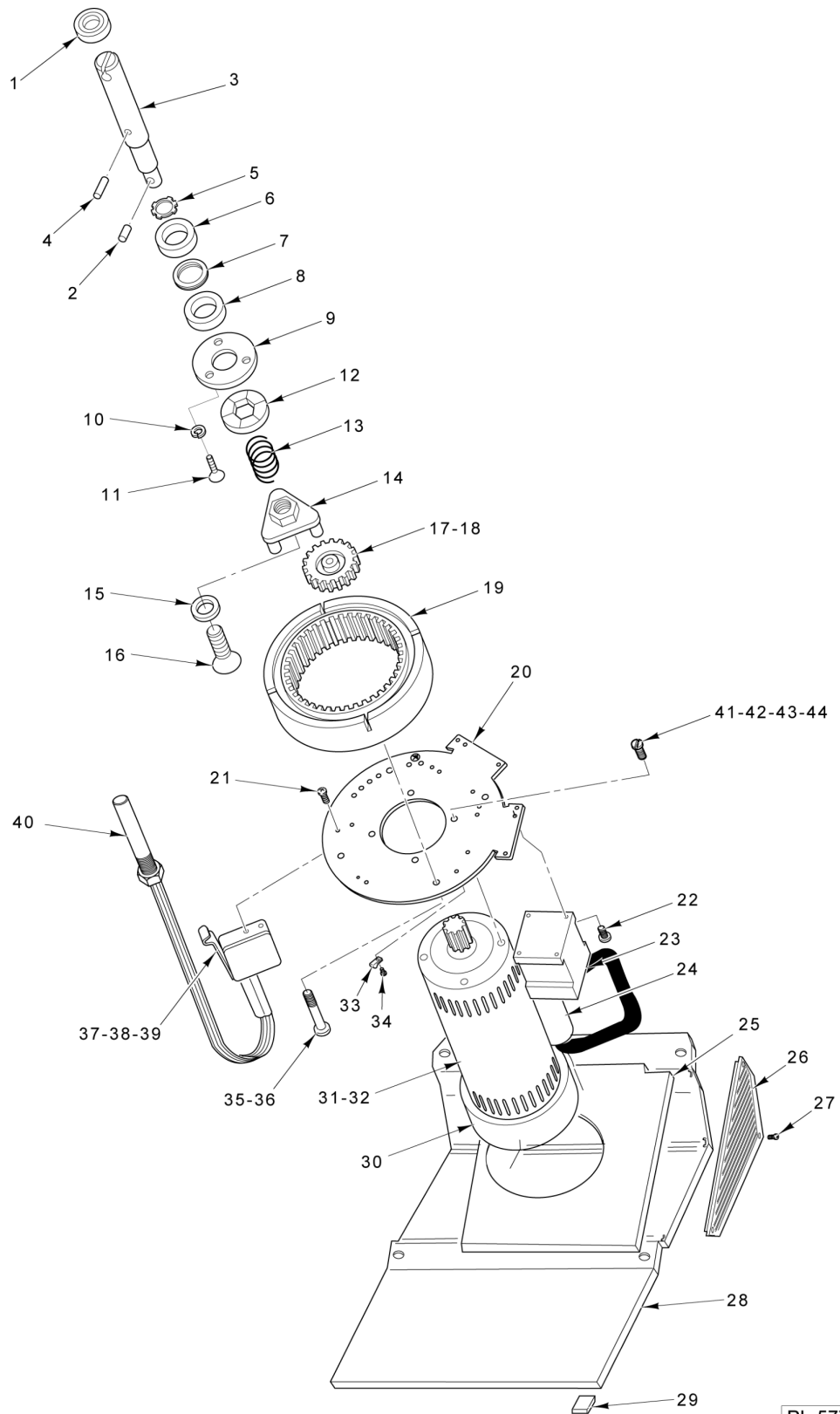
5 HOUSING UNIT
7 MOTOR AND BASE UNIT
9 ACCESSORIES (SLICER / JULIENNE)
11 ACCESSORIES (DICER / SHREDDER)
13 PUSH FEED HANDLE UNIT



HOUSING UNIT

HOUSING UNIT

| ILLUS. | PART NO. | NAME OF PART | AMT. |
|--------|-----------|---|------|
| 1 | 00-436466 | Partition - Removable (With Knobs)..... | 1 |
| 2 | 00-436467 | Feed Head Assy..... | 1 |
| 3 | 00-436420 | Screw - Locking..... | 1 |
| 4 | 00-436422 | Ejector..... | 1 |
| 5 | 00-478844 | Pin..... | 2 |
| 6 | 00-436418 | Sleeve - Thrust..... | 1 |
| 7 | 00-436419 | Pin - Carrier..... | 1 |
| 8 | 00-914735 | Seal - Ring..... | 1 |
| 9 | 00-436483 | Housing - Knife..... | 1 |
| 10 | 00-274319 | Cord & Plug (110/120 V.)..... | 1 |
| 11 | SC-120-90 | Mach. Screw M8 x 20mm Cheese Hd..... | 2 |
| 12 | 00-274328 | Handle Assy. (Incls. Items 11, 13, & 14)..... | 1 |
| 13 | WL-019-74 | Lockwasher M8 Spring (SST)..... | 2 |
| 14 | NS-047-36 | Nut M8 x 1.25mm Hex (SST)..... | 2 |
| 15 | 00-274330 | Housing Assy..... | 1 |
| 16 | 00-477266 | Button Assy. - Stop..... | 1 |
| 17 | 00-478898 | Switch Assy. (Start)..... | 1 |
| 18 | FE-025-33 | Strain Relief (Power Cord)..... | 1 |
| 19 | 00-274327 | Pin Screw Assy. (Incls. Items 20 & 21)..... | 4 |
| 20 | WL-019-75 | Lockwasher M10 5.1mm Helical (SST)..... | 4 |
| 21 | NS-047-91 | Crown Nut M5 x 0.8..... | 4 |
| 22 | 01-650028 | Kit - Magnet..... | 1 |



PL-57704

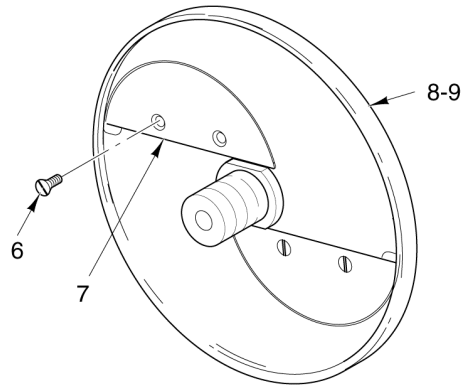
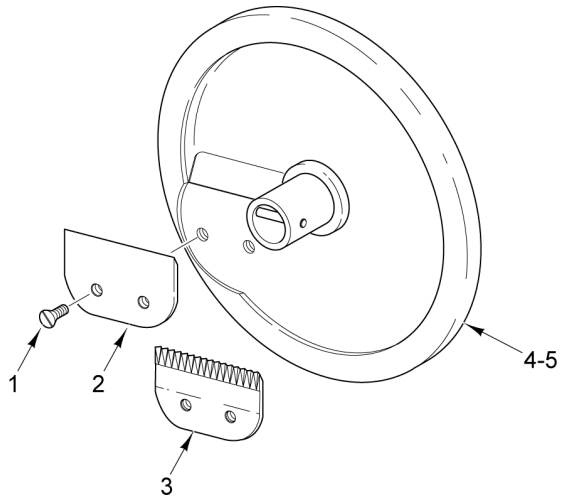
MOTOR AND BASE UNIT

MOTOR AND BASE UNIT

| ILLUS. | PART NO. | NAME OF PART | AMT. |
|----------|-----------------|---|------|
| PL-57704 | | | |
| 1 | 00-274333 | Seal - Rubber Washer 18 x 30mm..... | 1 |
| 2 | SC-121-48 | Set Screw M8 x 1.25 x 12mm Socket Hdls., Cup Pt. (SST)..... | 1 |
| 3 | 00-436416 | Shaft - Knife..... | 1 |
| 4 | RP-006-24 | Roll Pin 6mm x 28mm (SST)..... | 1 |
| 5 | 00-274400 | Clip - Bearing..... | 1 |
| 6 | BB-017-09 | Ball Bearing MRC 203S-01-ST-E-92-C..... | 1 |
| 7 | 00-274399 | Spacer - Bearing..... | 1 |
| 8 | BB-017-09 | Ball Bearing MRC 203S-01-ST-E-92-C..... | 1 |
| 9 | 00-274403 | Shim - Brake..... | 1 |
| 10 | WL-019-75 | Lockwasher M10 5.1mm Helical (SST)..... | 3 |
| 11 | SC-120-92 | Mach. Screw M5 x 0.8 x 12mm Slotted Cheese Hd. (SST)..... | 3 |
| 12 | 00-274336 | Disc - Brake..... | 1 |
| 13 | 00-274394 | Spring - Pressure..... | 1 |
| 14 | 00-274393 | Carrier - Planetary..... | 1 |
| 15 | 00-274376 | Washer - Spring..... | 1 |
| 16 | SC-120-93 | Mach. Screw M5 x 0.8 x 10mm Hex Flat Hd. (SST)..... | 1 |
| 17 | 00-274402 | Wheel - Planetary..... | 3 |
| 18 | 00-274398 | Washer - Planetary..... | 3 |
| 19 | 00-274397 | Ring - Planetary..... | 1 |
| 20 | 00-478132 | Motor Plate Assy..... | 1 |
| 21 | SD-037-42 | Self-Tapping Screw 3.5mm x 9.5mm Phil. Oval Hd., Type AB (SST)..... | 2 |
| 22 | SD-037-41 | Self-Tapping Screw 3.5mm x 13mm Phil. Oval Hd., Type AB (SST)..... | 4 |
| *23 | 00-087713-089-1 | Contact (110/120 V., 60 Hz.)..... | 1 |
| 24 | 00-274344 | Circuit - RC (110 V.)..... | 1 |
| 25 | 00-436465 | Plate - Fan..... | 1 |
| 26 | 00-274351 | Louver - Left & Right (Incls. Item 27)..... | 2 |
| 27 | SD-037-40 | Self-Tapping Screw 3.5mm x 9.5mm Phil. Oval Hd., Type AB (SST)..... | 6 |
| 28 | 00-274352 | Base Assy. (Incls. Item 34) (Give Serial Number)..... | 1 |
| 29 | 00-274353 | Foot - Rubber..... | 4 |
| 30 | 00-274387 | Cover - Fan..... | 1 |
| 31 | 00-875663 | Capacitor - Motor (Motor)..... | 1 |
| **32 | 00-436470 | Motor (Incls. Items 30 & 31)..... | 1 |
| 33 | 00-274405 | Clamp - Cable..... | 1 |
| 34 | SD-037-42 | Self-Tapping Screw 3.5mm x 9.5mm Phil. Oval Hd., Type AB (SST)..... | 1 |
| 35 | SC-120-91 | Mach. Screw M5 x 0.8 x 40mm Slotted Cheese Hd. (SST)..... | 4 |
| 36 | WL-019-75 | Lockwasher M10 5.1mm Helical (SST)..... | 4 |
| 37 | SC-120-95 | Mach. Screw M3 x 16mm Phil. Oval Hd. (SST)..... | 2 |
| 38 | 00-439302 | Plate - Insulating..... | 1 |
| 39 | 00-439300 | Micro-Switch Assy..... | 1 |
| 40 | 00-439663 | Switch - Reed (110/120 V.)..... | 1 |
| 41 | SC-120-94 | Mach. Screw M5 x 0.8 x 10mm Slotted Cheese Hd. (SST)..... | 4 |
| 42 | SC-118-28 | Mach. Screw M4 x 0.7 x 12mm Slotted Pan Hd. (SST) (Grounding Hardware, Included W/Item 20)..... | AR |
| 43 | WL-200-03 | Lockwasher M4 (SST) (Grounding Hardware, Included With Item 20)..... | AR |
| 44 | NS-047-36 | Nut M8 x 1.25mm Hex (SST) (SST) (Grounding Hardware, Included With Item 20)..... | AR |

* For Service on Machines Built Prior to SN 761009459, Order 00-478132.

** Must supply Serial Number to Order



FINE CUT SLICER

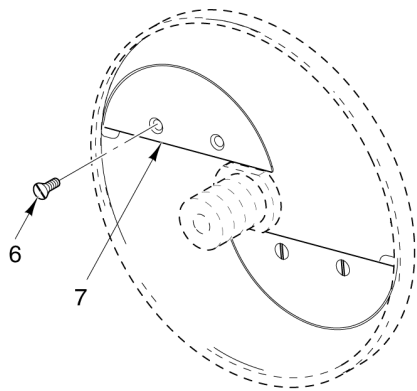
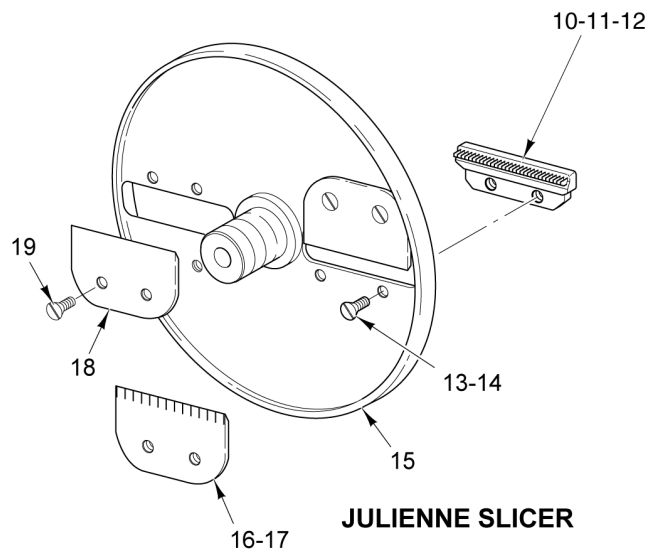


PLATE NO LONGER AVAILABLE,
ORDER ITEM 22, 23, 24, 25, OR 26
FINE CUT SLICER



JULIENNE SLICER

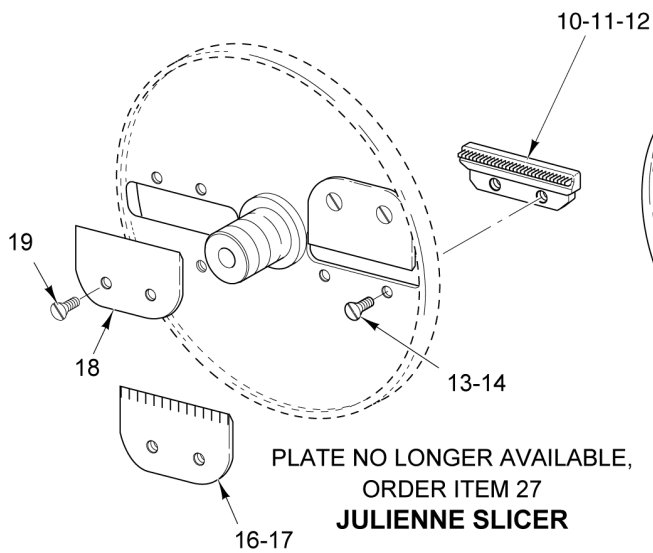
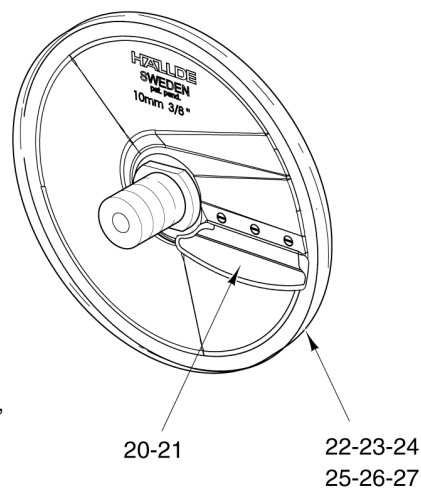


PLATE NO LONGER AVAILABLE,
ORDER ITEM 27
JULIENNE SLICER



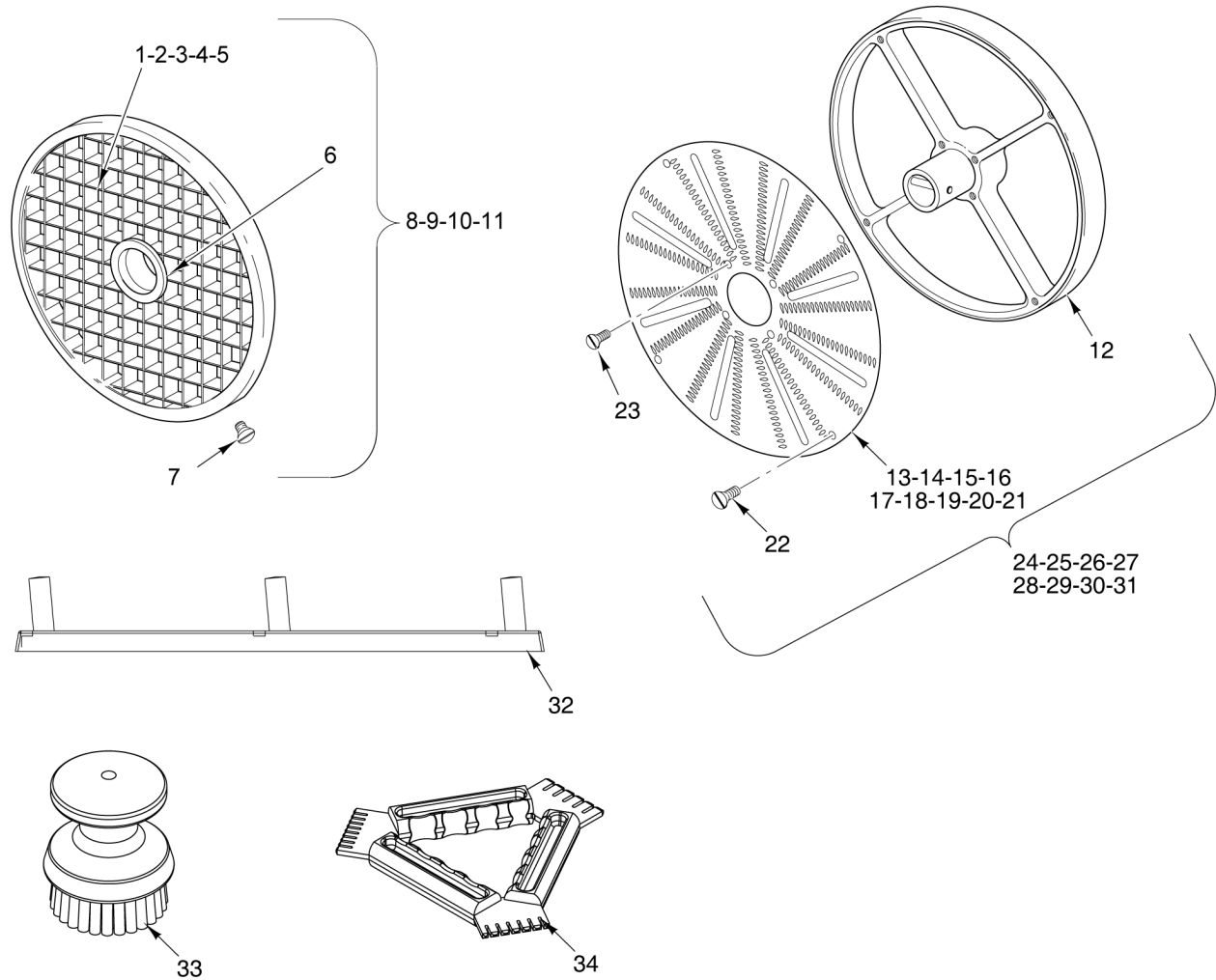
22-23-24
25-26-27

PL-57705

**ACCESSORIES
(SLICER / JULIENNE)**

**ACCESSORIES
(SLICER / JULIENNE)**

| ILLUS. PL-57705 | PART NO. | NAME OF PART | AMT. |
|--------------------|-----------------|--|------|
| 1 | SC-120-82 | Mach. Screw M5 x 0.8 x 6mm Slotted Flat Hd. (SST)..... | AR |
| 2 | 00-274317 | Knife - Standard Cut Slicer..... | AR |
| 3 | 00-435128 | Knife - Crimping Slicer..... | 1 |
| 4 | 00-436460 | Plate - Crimping Slicer (3/16 In.) (1-Knife) (Incls. Items 1 & 3)..... | 1 |
| 5 | 00-914164 | Plate - Slicer (1/2 In.) (2 Knife) (Incls. Items 1 & 2)..... | 1 |
| 6 | SC-120-82 | Mach. Screw M5 x 0.8 x 6mm Slotted Flat Hd. (SST)..... | AR |
| 7 | 00-274318 | Knife - Fine Cut Slicer..... | AR |
| 8 | 00-915719 | Plate - Fine Slicer (5/8 In.) (Alum.) (1 Knife) (Incls. Items 6 & 7)..... | 1 |
| 9 | 00-478228 | Plate - Fine Cut Slicer (3/32 In.) (2-Knife) (Alum.) (Incls. Items 6 & 7)..... | 1 |
| 10 | 00-437549 | Knife - Balk (3/32 In.) (Use With Item 18)..... | 2 |
| 11 | 00-437550 | Knife - Balk (3/16 In.) (Use With Item 16)..... | 1 |
| 12 | 00-437552 | Knife - Balk (5/16 In.) (Use With Item 17)..... | 1 |
| 13 | SC-118-26 | Mach. Screw M4 x 0.7 x 10mm Slotted Flat Hd. (SST)..... | AR |
| 14 | SC-120-83 | Mach. Screw M4 x 0.7 x 0.6mm Slotted Flat Hd. (SST)..... | AR |
| 15 | 00-437252 | Plate Assy. - Julienne (3/32 In.) (2-Knife) (Incls. Items 10, 13, 18, & 19)..... | 1 |
| 16 | 00-294968 | Knife - Julienne (3/16 In.) (Use with Item 11)..... | 1 |
| 17 | 00-294968-00003 | Knife - Julienne (5/16 In.) (Use with Item 12)..... | 1 |
| 18 | 00-274317 | Knife - Standard Cut Slicer (Use with Item 10 for 3/32 Julienne)..... | 2 |
| 19 | SC-120-82 | Mach. Screw M5 x 0.8 x 6mm Slotted Flat Hd. (SST)..... | 1 |
| 20 | 00-915631 | Kit - Slicer 1.5 x 10mm Replacement Blade (SST)..... | 1 |
| 21 | 00-915635 | Kit - Julienne 8 x 8mm Replacement Blades (SST)..... | 1 |
| 22 | 00-915548 | Plate - Fine Slicer (1/16 In.) (SST) (2 Knife) (Incls. Item 20)..... | 1 |
| 23 | 00-915549 | Plate - Fine Slicer (1/8 In.) (SST) (1 Knife) (Incls. Item 20)..... | 1 |
| 24 | 00-915551 | Plate - Fine Slicer (3/8 In.) (SST) (1 Knife) (Incls. Item 20)..... | 1 |
| 25 | 00-915553 | Plate - Fine Slicer (5/32 In.) (SST) (1 Knife) (Incls. Item 20)..... | 1 |
| 26 | 00-915554 | Plate - Fine Slicer (7/32 In.) (SST) (1 Knife) (Incls. Item 20)..... | 1 |
| 27 | 00-915537 | Plate - Julienne (5/16 In.) (SST) (Incls. Item 21)..... | 1 |



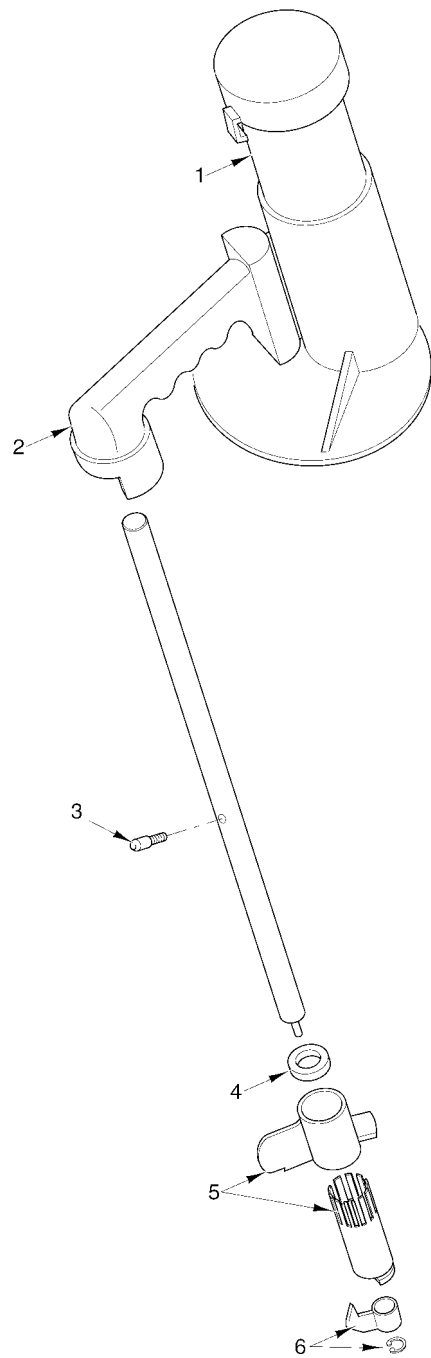
- 35 Brush
 - 36 Wrench - Locking Screw
 - 37 Kit - Plate (Jimmy Johns)
- PARTS NOT ILLUSTRATED**

PL-60753

**ACCESSORIES
(DICER / SHREDDER)**

**ACCESSORIES
(DICER / SHREDDER)**

| ILLUS. PL-60753 | PART NO. | NAME OF PART | AMT. |
|--------------------|-----------|--|------|
| 1 | 00-477782 | Kit - Dicing Grid Knife (9/32 In.)..... | 1 |
| 2 | 00-477783 | Kit - Dicing Grid Knife (3/8 In.)..... | 1 |
| 3 | 00-477784 | Kit - Dicing Grid Knife (5/8 In.)..... | 1 |
| 4 | 00-477785 | Kit - Dicing Grid Knife (3/4 In.)..... | 1 |
| 5 | 00-435116 | Kit - French Fry Knife..... | 1 |
| 6 | 00-477716 | Ring - Center Grid..... | 1 |
| 7 | SC-120-83 | Mach. Screw M4 x 0.7 x 0.6mm Slotted Flat Hd. (SST)..... | 8 |
| 8 | 00-477712 | Plate Assy. - Dicer (9/32 In.) (Incls. Items 1, 6, & 7)..... | 1 |
| 9 | 00-477713 | Plate Assy. - Dicer (3/8 In.) (Incls. Items 2, 6, & 7)..... | 1 |
| 10 | 00-477714 | Plate Assy. - Dicer (5/8 In.) (Incls. Items 3, 6, & 7)..... | 1 |
| 11 | 00-477715 | Plate Assy. - Dicer (3/4 In.) (Incls. Items 4, 6, & 7)..... | 1 |
| 12 | 00-436414 | Frame (For 3/16 In., 5/16 In., 7/32 In., 3/8 In. Inserts)..... | 1 |
| 13 | 00-435734 | Insert - Shredder Plate 1/16 In. (1.5mm)..... | 1 |
| 14 | 00-274409 | Insert - Shredder Plate 1/8 In. (3mm)..... | 1 |
| 15 | 00-274320 | Insert - Shredder Plate 5/64 In. (2mm)..... | 1 |
| 16 | 00-274343 | Insert - Shredder Plate 3/16 In. (4.5mm)..... | 1 |
| 17 | 00-435735 | Insert - Shredder Plate 7/32 In. (6mm)..... | 1 |
| 18 | 00-274410 | Insert - Shredder Plate 5/16 In. (8mm)..... | 1 |
| 19 | 00-875322 | Insert - Shredder Plate 3/8 In. (10mm)..... | 1 |
| 20 | 00-914232 | Insert - Extra Fine Grater Plate..... | 1 |
| 21 | 00-274411 | Insert - Fine Grater Plate..... | 1 |
| 22 | SD-037-39 | Self-Tapping Screw 2.9mm x 13mm Slotted Flat Hd., Type AB (SST)..... | AR |
| 23 | SD-038-39 | Self-Tapping Screw 3.5mm x 13mm Slotted Oval Hd., Type AB (SST)..... | AR |
| 24 | 00-914225 | Plate - Extra Fine Grater (Incls. Items 12, 20, 22, & 23)..... | 1 |
| 25 | 00-915536 | Plate - Fine Grater (SST) (Incls. Items 12, 21, 22, & 23)..... | 1 |
| 26 | 00-915541 | Plate - Shredder (1/16 In.) (SST) (Incls. Items 12, 13, 22, & 23)..... | 1 |
| 27 | 00-915542 | Plate - Shredder (1/8 In.) (SST) (Incls. Items 12, 14, 22, & 23)..... | 1 |
| 28 | 00-915543 | Plate - Shredder (3/16 In.) (SST) (Incls. Items 12, 16, 22, & 23)..... | 1 |
| 29 | 00-915547 | Plate - Shredder (7/32 In.) (SST) (Incls. Items 12, 17, 22, & 23)..... | 1 |
| 30 | 00-915545 | Plate - Shredder (5/16 In.) (SST) (Incls. Items 12, 18, 22, & 23)..... | 1 |
| 31 | 00-915544 | Plate - Shredder (3/8 In.) (SST) (Incls. Items 12, 19, 22, & 23)..... | 1 |
| 32 | 00-914839 | Rack - Wall..... | 1 |
| 33 | 00-939212 | Brush - Cleaning (Large)..... | 1 |
| 34 | 00-939215 | Cleaner - Grid..... | 1 |
| 35 | 00-274329 | Brush (Cleaning)..... | 1 |
| 36 | 00-436421 | Wrench - Decoring Screw..... | 1 |
| 37 | 00-938987 | Kit - Plate (Jimmy Johns)..... | 1 |



PL-57706

PUSH FEED HANDLE UNIT

PUSH FEED HANDLE UNIT

| ILLUS. PL-57706 | PART NO. | NAME OF PART | AMT. |
|--------------------|-----------|---|------|
| 1 | 00-274312 | Plunger - Pestle..... | 1 |
| 2 | 00-436463 | Handle - Push (Feed) (Order With Item 3)..... | 1 |
| 3 | 00-274323 | Pin..... | 2 |
| 4 | 00-274324 | Seal - Rubber Washer..... | 1 |
| 5 | 00-274325 | Lock - Push Handle..... | 1 |
| 6 | 00-437304 | Activator & Clip..... | 1 |

