



CATALOG OF REPLACEMENT PARTS

FP400i FOOD PROCESSOR

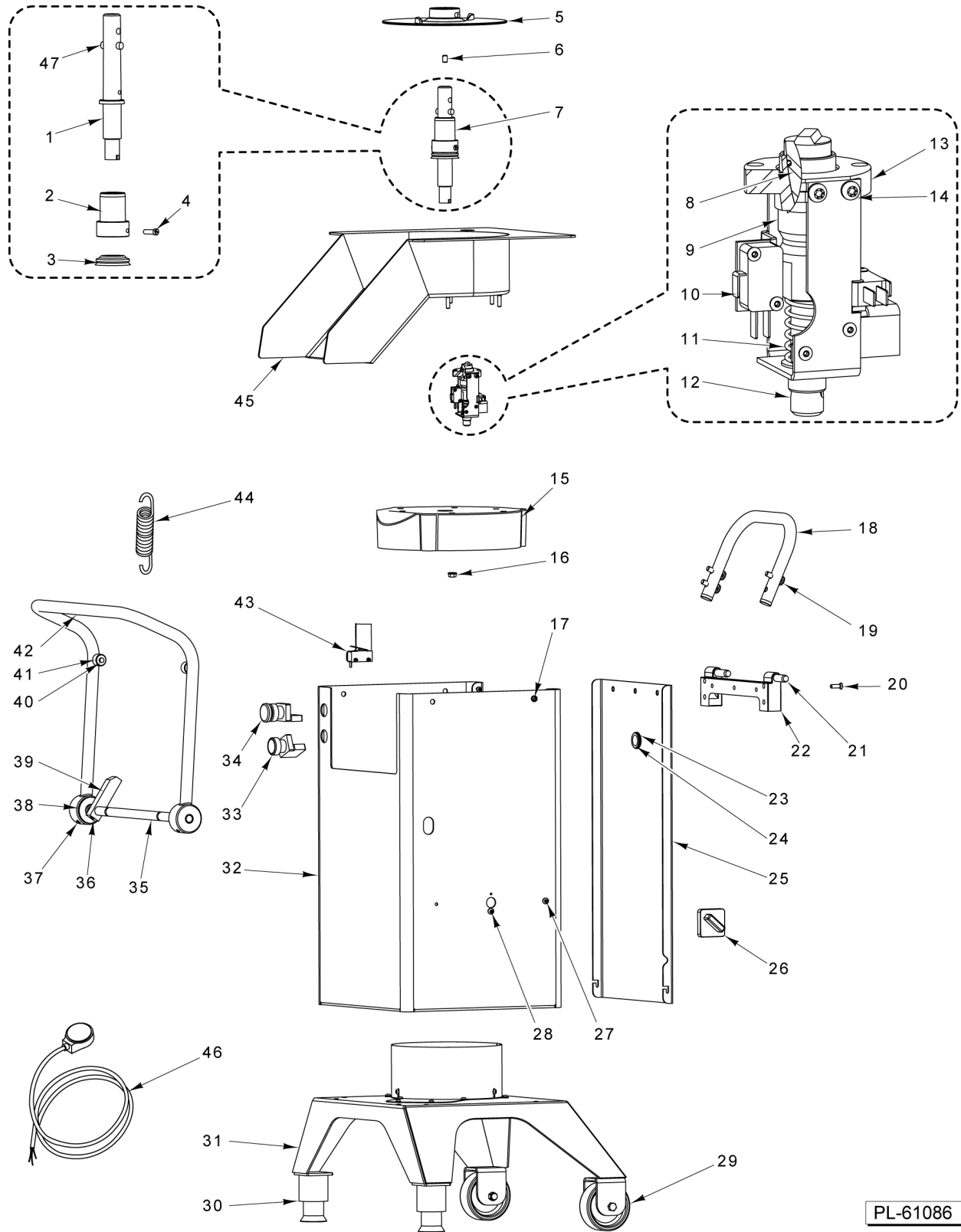
ML-136343

FP400i



Table of Contents

5	HOUSING UNIT
7	MOTOR AND GEARING
9	FEED CYLINDER (CUTTING)
11	FEED CYLINDER (STACKING)
13	FEED CYLINDER AND HOPPER
15	MANUAL PUSH FEEDER
17	4-TUBE INSERT ASSEMBLY
19	ELECTRICAL BOX ASSEMBLY
21	ACCESSORIES (SLICER / JULIENNE)
23	ACCESSORIES (SHREDDER / GRATER / DICER)
25	ACCESSORIES (MISC.)

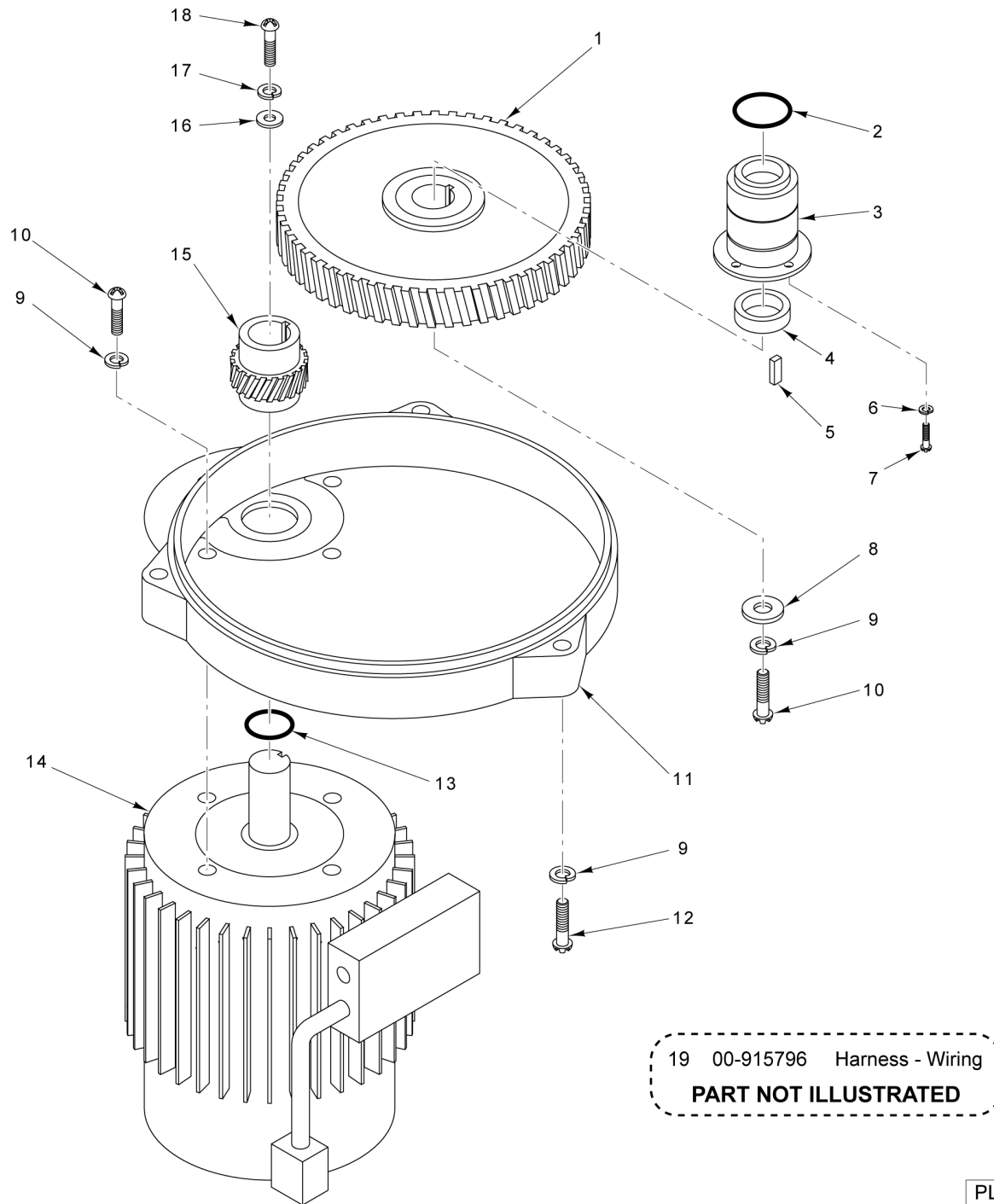


HOUSING UNIT

PL-61086

HOUSING UNIT

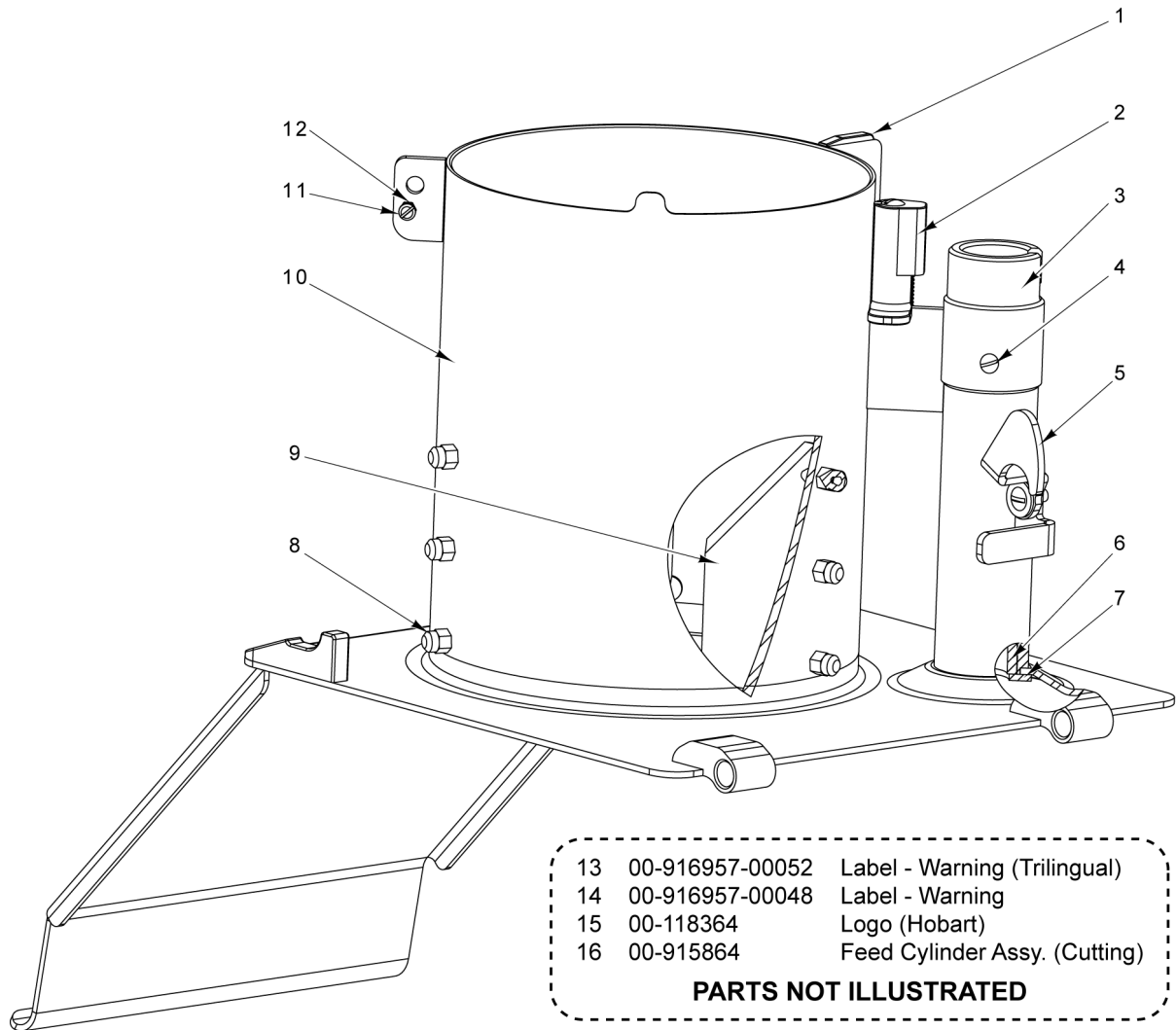
ILLUS.	PART NO.	NAME OF PART	AMT.
PL-61086			
1	00-915789	Shaft - Knife.....	1
2	00-915790	Rod - Feeder.....	1
3	00-439129	Seal - Washer.....	1
4	00-915804	Pin - Carrier - Ejector Plate.....	2
5	00-915788	Plate - Ejector.....	1
6	SC-121-48	Set Screw M8 x 1.25 x 12mm Socket Hdls., Cup Pt. (SST).....	1
7	00-915803	Shaft - Knife Assy. (Incls. Items 1 thru 4).....	1
8	00-478875	Seal - O-Ring.....	2
9	00-915809	Shaft.....	1
10	00-915792	Switch & Bracket Assy.....	2
11	00-939211	Spring - Interlock Switch.....	1
12	00-915810	Bushing.....	1
13	00-915808	Housing - Switch.....	1
14	00-915791	Screw M4.....	4
15	00-915806	Base - Top.....	1
16	00-915807	Nut M6.....	6
17	SC-124-31	Mach. Screw M6 x 1 x 16mm Slotted Truss Hd. (SST).....	4
18	00-478830	Handle - Knife Chamber.....	1
19	00-915812	Screw M6.....	4
20	00-915816	Screw.....	3
21	00-915817	Seal - Ring.....	1
22	00-915818	Hinge.....	1
23	FE-024-97	Relief - Strain.....	1
24	00-479036	Nut - Strain Relief.....	1
25	00-915819	Housing - Back.....	1
26	00-479035	Switch - Speed Assy. (Incls. Hardware).....	1
27	00-915820	Screw M4-20.....	2
28	00-915791	Screw M4.....	2
29	00-915823	Wheel.....	2
30	00-915802	Foot Assy.....	1
31	00-915801	Base.....	1
32	00-915800	Housing - Machine Front.....	1
33	00-478898	Switch Assy. (Start).....	1
34	00-478897	Switch Assy. (Stop).....	1
35	00-915799	Shaft - Handle Lock.....	1
36	SC-124-27	Set Screw M8 x 1.25 x 15mm Slotted Hdls. Dog Pt. (SST).....	1
37	SC-124-28	Set Screw M8 x 1.25 x 25mm Slotted Hdls. Dog Pt. (SST).....	2
38	00-478823	Bushing - Lock Handle.....	2
39	00-478828	Stop - Lock Handle.....	1
40	00-478876	Ring Lock.....	2
41	00-915863	Knob.....	2
42	00-915798	Handle - Locking.....	1
43	00-915795	Switch - Micro.....	1
44	00-478831	Spring - Tension.....	2
45	00-915805	Housing - Knife.....	1
46	00-478853	Cord - Supply (US).....	1
47	00-439124	Pin - Carrier.....	1



MOTOR AND GEARING

MOTOR AND GEARING

ILLUS.	PART NO.	NAME OF PART	AMT.
PL-61092			
1	00-915813	Gear Assy.....	1
2	00-478871	Ring - Seal.....	1
3	00-915793	Ball Bearing Assy.....	1
4	00-478811	Spacer.....	1
5	00-478872	Key.....	1
6	WL-019-75	Lockwasher M10 5.1mm Helical (SST).....	4
7	SC-118-37	Mach. Screw M5 x 0.8 x 12mm Slotted Pan Hd. (SST).....	4
8	00-478846	Washer.....	1
9	WL-019-74	Lockwasher M8 Spring (SST).....	8
10	SC-121-16	Cap Screw M8 x 1.25 x 22mm Hex Hd. (SST).....	4
11	00-915794	Housing - Gear.....	1
12	SC-121-56	Cap Screw M8 x 1.25 x 60mm Socket Hex Hd.....	1
13	00-478882	Ring - Seal.....	1
14	00-915815	Motor.....	1
15	00-915814	Gear Assy.....	1
16	00-478847	Washer.....	1
17	WL-019-89	Lockwasher M10 Helical (SST).....	1
18	SC-125-23	Cap Screw 6-32 x 3/4 Hex Socket Hd. (SST).....	1
19	00-915796	Harness - Wiring.....	1

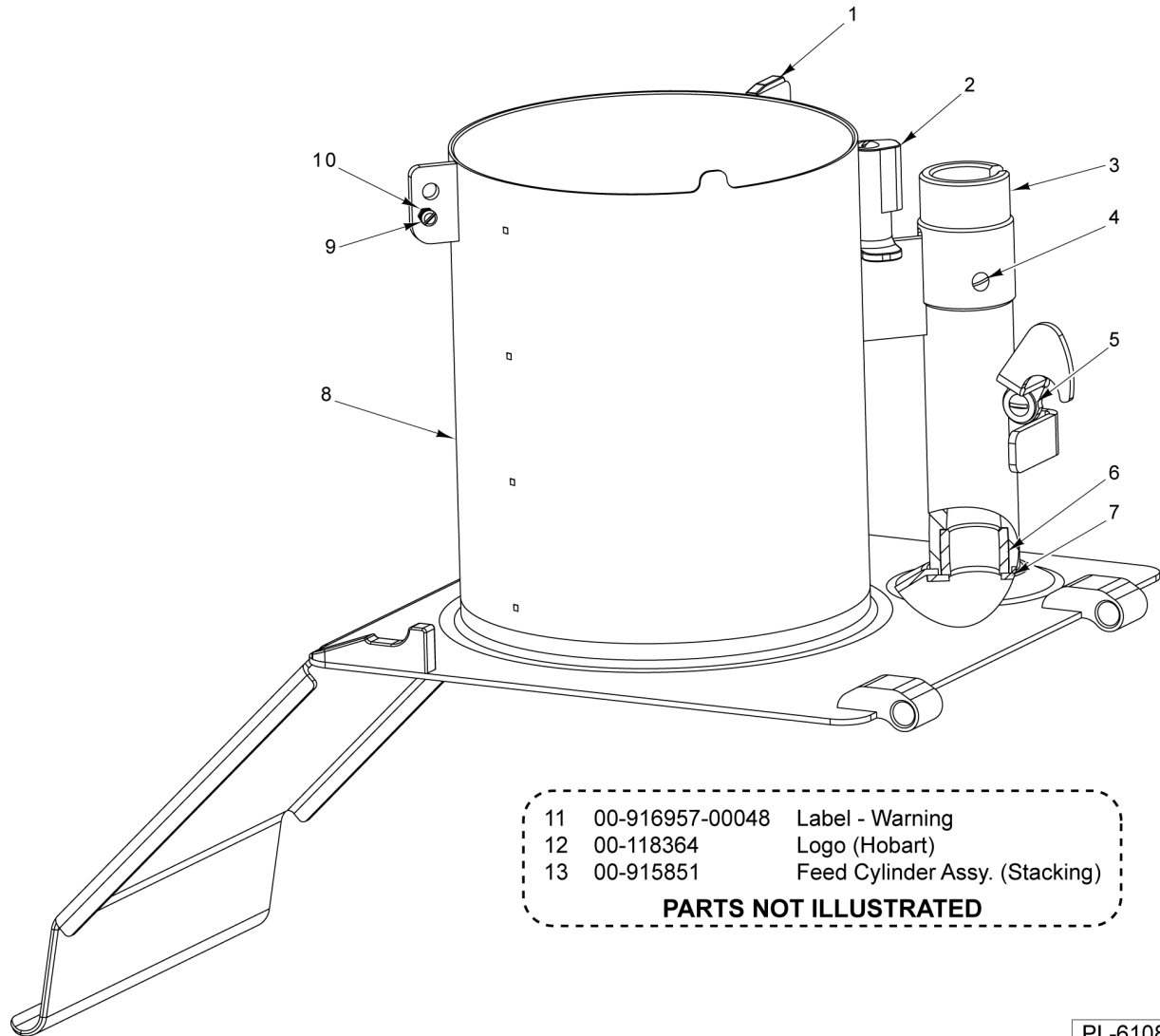


PL-61087

FEED CYLINDER (CUTTING)

FEED CYLINDER (CUTTING)

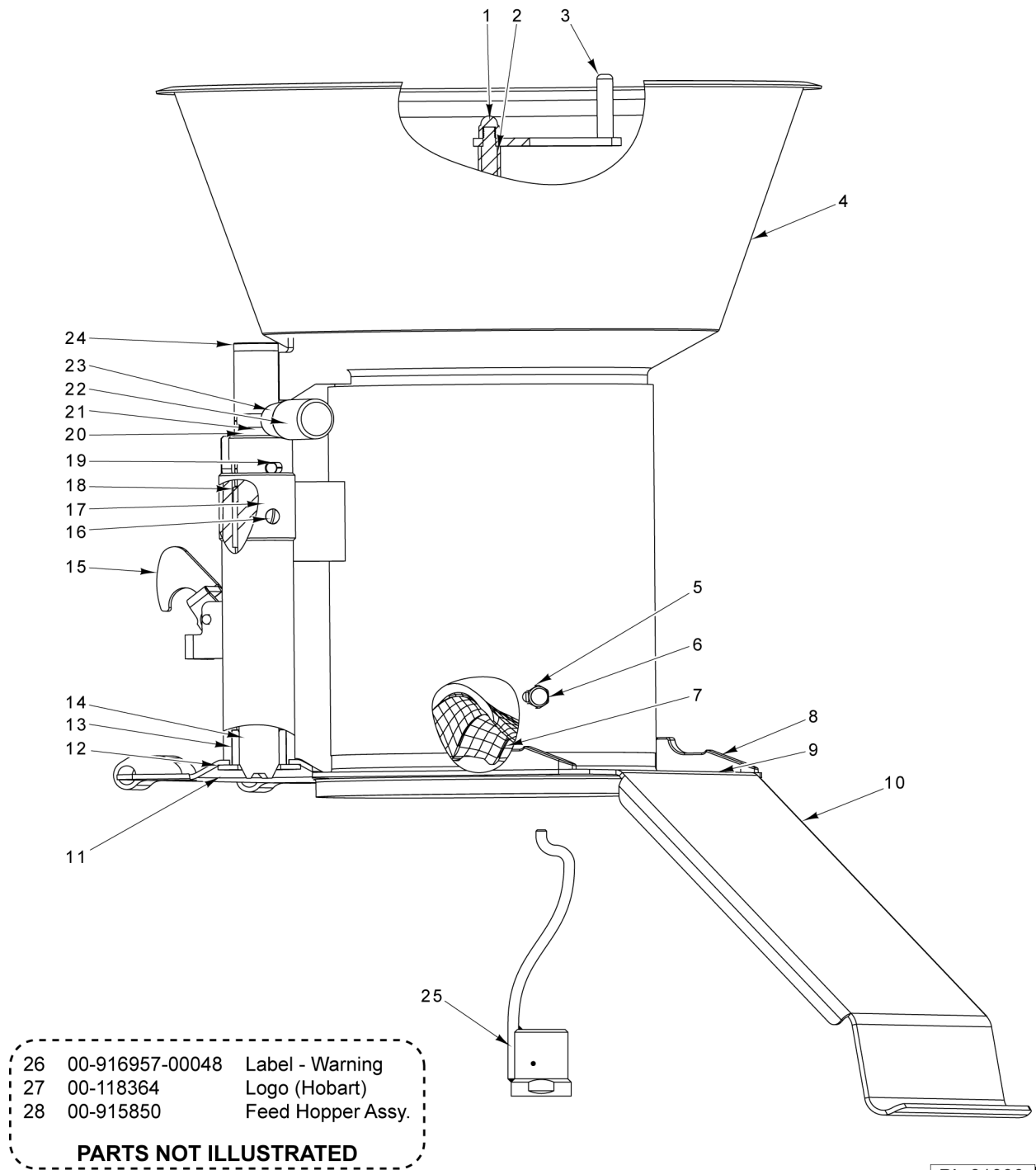
ILLUS.	PART NO.	NAME OF PART	AMT.
PL-61087			
1	00-915847	Knob - Slide.....	1
2	00-915848	Stopper Assy.....	1
3	00-478863	Sleeve - Bayonet.....	1
4	SC-124-30	Mach. Screw M5 x 0.8 x 10 mm Slotted Oval Hd. (SST).....	1
5	00-915833	Locking Clutch Assy.....	1
6	00-915835	Bushing.....	1
7	00-915843	Bushing Holder Assy.....	1
8	00-478858	Nut - Special Domed.....	1
9	00-478842	Knife.....	1
10	00-915844	Feed Cylinder.....	1
11	00-915845	Screw.....	1
12	00-915846	Nut.....	1
13	00-916957-00052	Label - Warning (Trilingual).....	1
14	00-916957-00048	Label - Warning.....	1
15	00-118364	Logo (Hobart).....	1
16	00-915864	Feed Cylinder Assy. (Cutting) (Incls. Items 1 thru 15).....	1



FEED CYLINDER (STACKING)

FEED CYLINDER (STACKING)

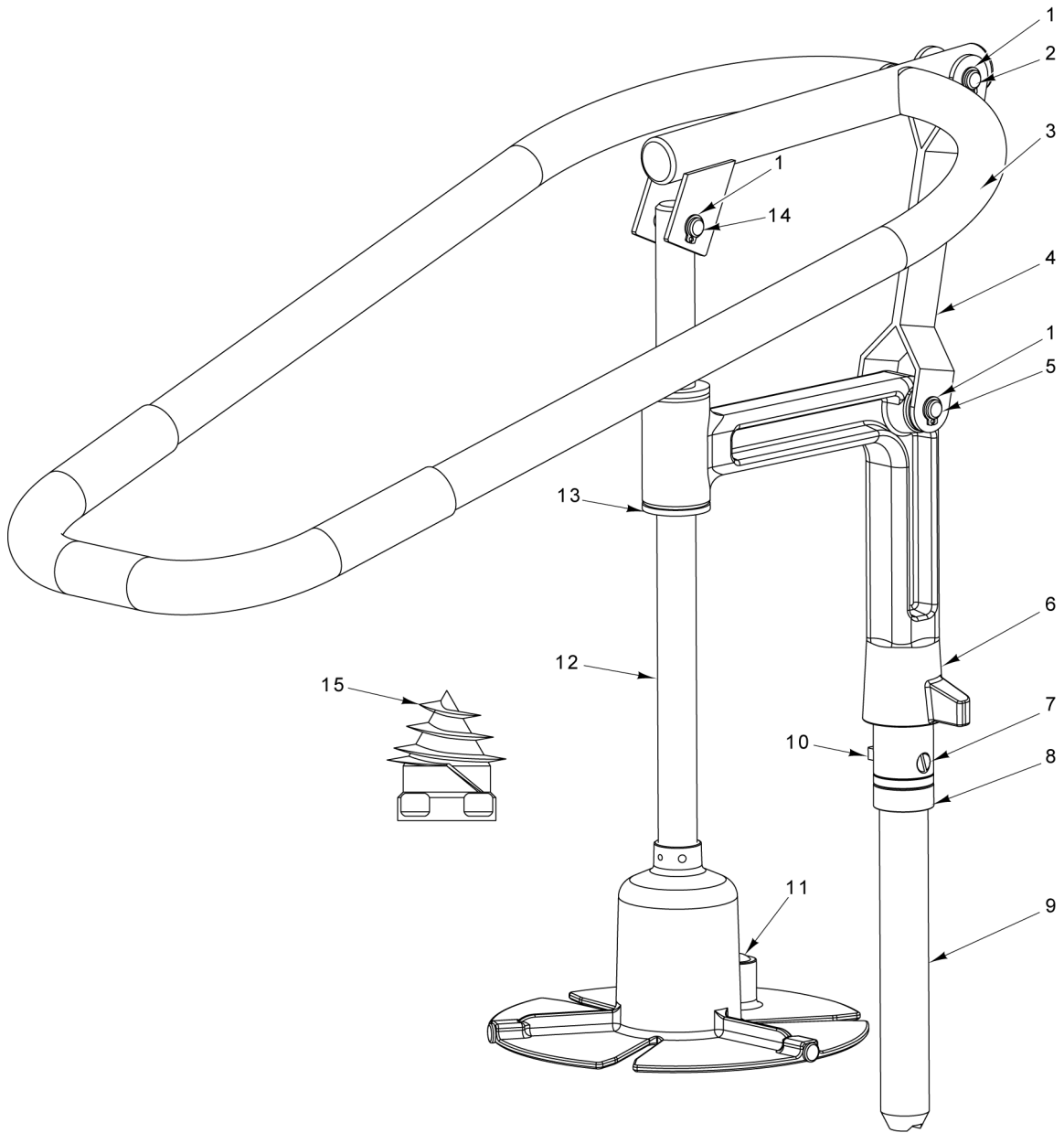
ILLUS.	PART NO.	NAME OF PART	AMT.
PL-61088			
1	00-915847	Knob - Slide.....	1
2	00-915848	Stopper Assy.....	1
3	00-478863	Sleeve - Bayonet.....	1
4	SC-124-30	Mach. Screw M5 x 0.8 x 10 mm Slotted Oval Hd. (SST).....	1
5	00-915833	Locking Clutch Assy.....	1
6	00-915835	Bushing.....	1
7	00-915843	Bushing Holder Assy.....	1
8	00-915852	Cylinder - Feed.....	1
9	00-915845	Screw.....	1
10	00-915846	Nut.....	1
11	00-916957-00048	Label - Warning.....	1
12	00-118364	Logo (Hobart).....	1
13	00-915851	Feed Cylinder Assy. (Stacking) (Incls. Items 1 thru 12).....	1



FEED CYLINDER AND HOPPER

FEED CYLINDER AND HOPPER

ILLUS.	PART NO.	NAME OF PART	AMT.
PL-61090			
1	NS-048-42	Crown Nut M8 x 1.25 (SST).....	1
2	00-478860	Lever - Stir.....	1
3	00-914953	Arm - Hopper.....	1
4	00-915838	Insert - Hopper Assy.....	1
5	NS-047-34	Crown Nut M6 x 1mm (SST).....	1
6	00-478906	Rod - Threaded.....	1
7	00-915839	Guide.....	1
8	00-915840	Bracket - Locking.....	1
9	00-915841	Screw - MFS M4 x 6 A2 70.....	1
10	00-915842	Cylinder - Feed.....	1
11	00-915837	Screw M3 x 4 Flat Hd.....	1
12	00-915836	Bushing - Housing.....	1
13	00-915835	Bushing.....	1
14	00-915834	Shaft.....	1
15	00-915833	Locking Clutch Assy.....	1
16	SC-124-30	Mach. Screw M5 x 0.8 x 10 mm Slotted Oval Hd. (SST).....	1
17	00-478863	Sleeve - Bayonet.....	1
18	00-478865	Bushing.....	1
19	00-478841	Pin - Bayonet.....	1
20	00-478890	Ball.....	1
21	00-478889	Spring.....	1
22	00-478883	Handle.....	1
23	00-477254	Screw - Handle.....	1
24	00-478884	Plug.....	1
25	00-478862	Agitator - Screw (Use to Secure Cutting Plates).....	1
26	00-916957-00048	Label - Warning.....	1
27	00-118364	Logo (Hobart).....	1
28	00-915850	Feed Hopper Assy. (Incls. Items 1 thru 27).....	1



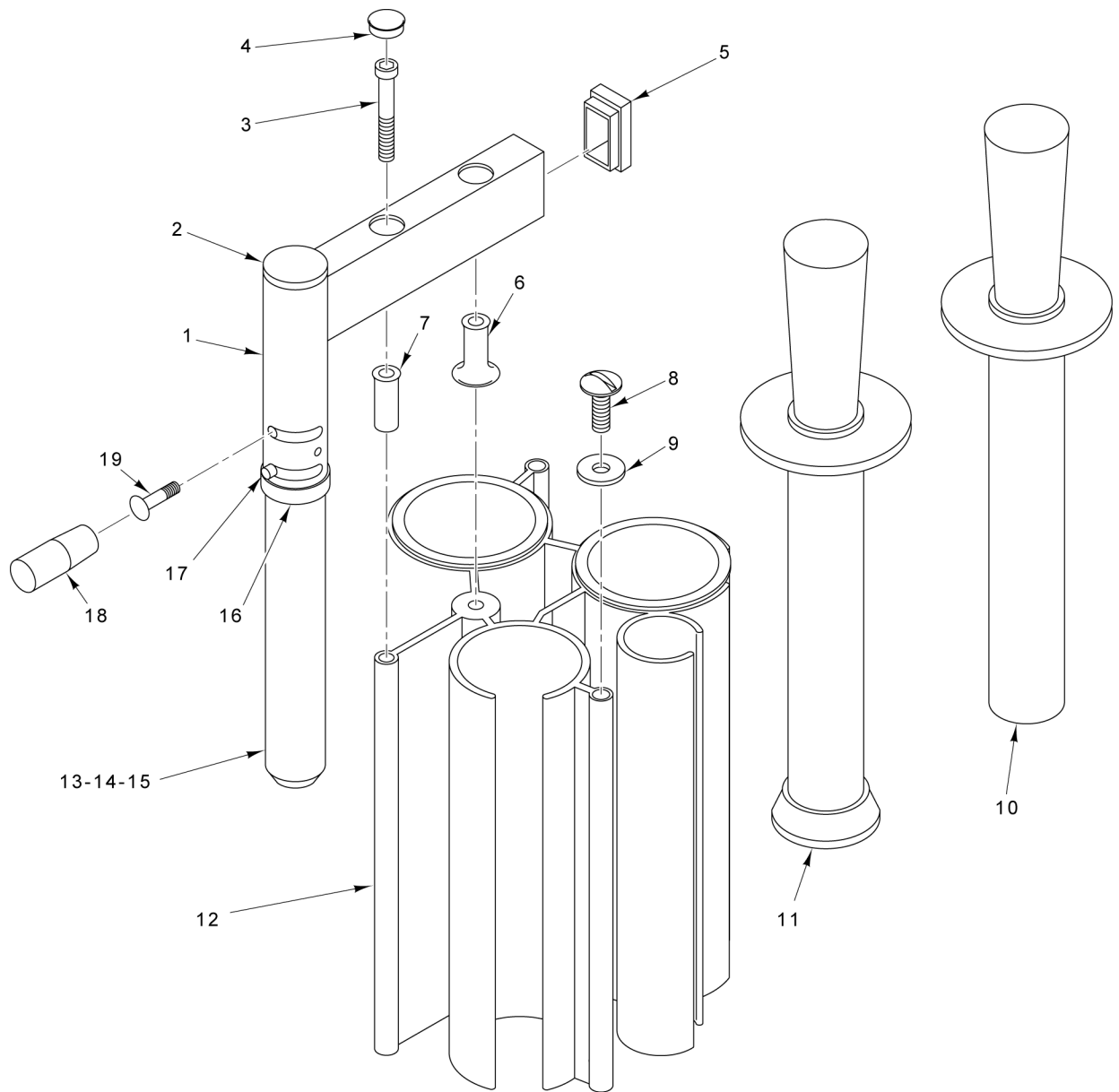
16 00-915865 Manual Feed Pusher Assy.
PART NOT ILLUSTRATED

PL-61089

MANUAL PUSH FEEDER

MANUAL PUSH FEEDER

ILLUS.	PART NO.	NAME OF PART	AMT.
PL-61089			
1	00-478880	Ring - Locking.....	3
2	00-478869	Pin - Pivot (L38).....	1
3	00-944010	Handle - Push.....	1
4	00-478815	Link.....	1
5	00-478868	Pin - Pivot (L51).....	1
6	00-915831	Stand.....	1
7	00-915934	Shaft.....	1
8	00-478819	Bushing.....	1
9	00-478814	Stand - Shaft.....	1
10	00-478856	Pin - Stand.....	1
11	00-478888	Plug V.....	1
12	00-915839	Guide.....	1
13	00-915829	Bushing.....	1
14	00-478870	Pin - Pivot (L34).....	1
15	00-478939	Screw - Decoring.....	1
16	00-915865	Manual Feed Pusher Assy. (Incls. Items 1 thru 15).....	1



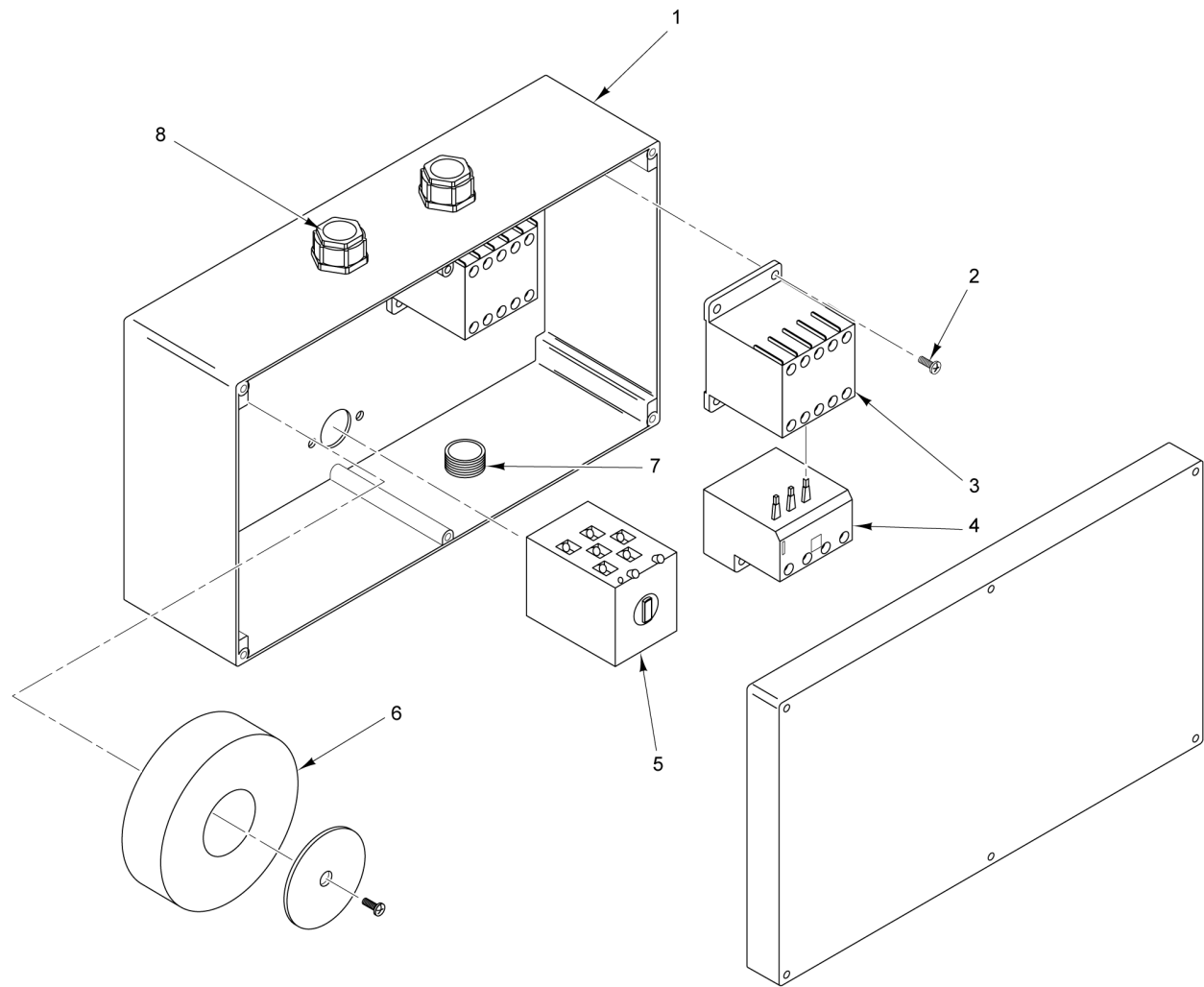
20 00-915849 Tube Assy.
PART NOT ILLUSTRATED

PL-61091

4-TUBE INSERT ASSEMBLY

4-TUBE INSERT ASSEMBLY

ILLUS. PL-61091	PART NO.	NAME OF PART	AMT.
1	00-915827	Stand.....	1
2	00-478884	Plug.....	1
3	00-915826	Cap Screw.....	2
4	00-479574	Plug (1 KPT).....	2
5	00-479573	Plug - Rectangle (IR20).....	1
6	00-479572	Spacer - Flanged.....	1
7	00-479571	Spacer.....	1
8	SC-119-03	Mach. Screw M8 x 1.25 x 16mm Slotted Mushroom Hd. (SST).....	2
9	00-915824	Washer.....	2
10	00-479567	Plunger - Narrow.....	1
11	00-479568	Plunger - Wide.....	1
12	00-915825	Insert - Tube.....	1
13	00-915828	Shaft Assy.....	1
14	00-478889	Spring.....	1
15	00-478890	Ball.....	1
16	00-478865	Bushing.....	1
17	00-478841	Pin - Bayonet.....	1
18	00-478883	Handle.....	1
19	00-477254	Screw - Handle.....	1
20	00-915849	Tube Assy. (Incls. Items 1 thru 19).....	1



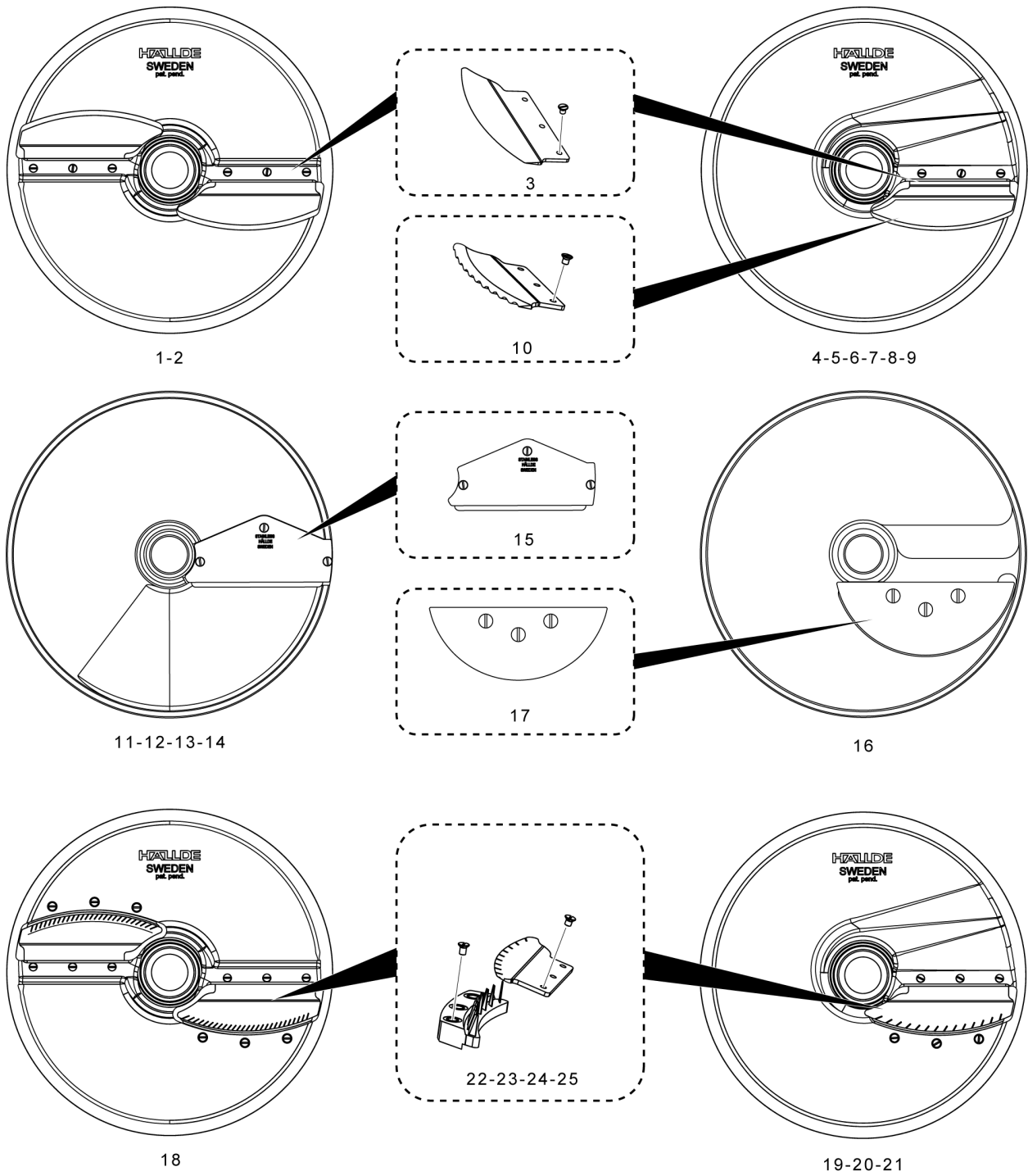
- | | | |
|----|-----------|------------------------|
| 9 | 00-915797 | Harness - Wiring |
| 10 | 00-915811 | Harness - Wiring |
| 11 | 00-479038 | Harness - Motor Switch |
| 12 | 00-478852 | Harness - Interlock |
- PARTS NOT ILLUSTRATED**

PL-61093

ELECTRICAL BOX ASSEMBLY

ELECTRICAL BOX ASSEMBLY

ILLUS.	PART NO.	NAME OF PART	AMT.
PL-61093			
1	00-478899	Box - Electrical (With Lid).....	1
2	SC-118-28	Mach. Screw M4 x 0.7 x 12mm Slotted Pan Hd. (SST).....	4
3	00-915821	Contactor.....	2
4	00-915822	Relay - Overload.....	1
5	00-479035	Switch - Speed Assy. (Incls. Hardware).....	1
6	00-478907	Transformer (208-240 V.).....	1
7	00-478894	Seal - Cable.....	1
8	00-478893	Seal - Cable.....	2
9	00-915797	Harness - Wiring.....	1
10	00-915811	Harness - Wiring.....	1
11	00-479038	Harness - Motor Switch.....	1
12	00-478852	Harness - Interlock.....	1

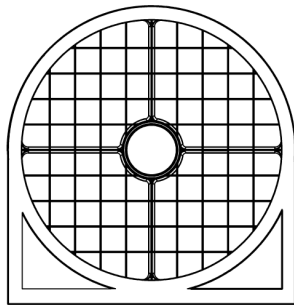


PL-61197

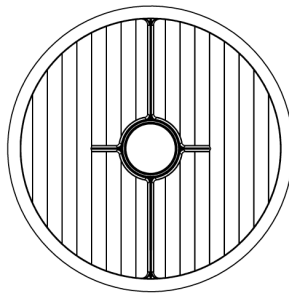
**ACCESSORIES
(SLICER / JULIENNE)**

**ACCESSORIES
(SLICER / JULIENNE)**

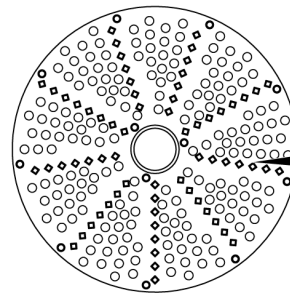
ILLUS.	PART NO.	NAME OF PART	AMT.
PL-61197			
1	00-915571	Plate - Fine Slicer 1/32 In. (1mm) (Incls. Item 3).....	1
2	00-915570	Plate - Fine Slicer 1/16 In. (1.5mm) (Incls. Item 3).....	1
3	00-915636	Knife - Slicer.....	AR
4	00-915572	Plate - Fine Slicer 1/8 In. (3mm) (Incls. Item 3).....	1
5	00-915575	Plate - Slicer 5/32 In. (4mm) (Incls. Item 3).....	1
6	00-915576	Plate - Slicer 7/32 In. (6mm) (Incls. Item 3).....	1
7	00-915775	Plate - Slicer 5/16 In. (8mm) (Incls. Item 3).....	1
8	00-915573	Plate - Slicer 3/8 In. (10mm) (Incls. Item 3).....	1
9	00-915574	Plate - Slicer 5/32 In. (4mm) (Crimping) (Incls. Item 10).....	1
10	00-915637	Knife - Slicer (Crimping).....	AR
11	00-914707	Plate - Soft Dicing 5/16 In. (8mm) (Incls. Item 15).....	1
12	00-914708	Plate - Soft Dicing 3/8 In. (10mm) (Incls. Item 15).....	1
13	00-914719	Plate - Soft Dicing 1/2 In. (12mm) (Incls. Item 15).....	1
14	00-914713	Plate - Soft Dicing 5/8 In. (15mm) (Incls. Item 15).....	1
15	00-914791	Knife - Soft Dicing.....	AR
16	00-915732	Plate - Fine Cut Slicer 9/16 In. (14mm) (Incls. Item 17).....	1
17	00-439158	Knife - Fine Slicer.....	AR
18	00-915559	Plate - Julienne 5/64 In. (2mm) (Incls. Item 22).....	1
19	00-915558	Plate - Julienne 5/32 In. (4mm) (Incls. Item 23).....	1
20	00-915560	Plate - Julienne 7/32 In. (6mm) (Incls. Item 24).....	1
21	00-915557	Plate - Julienne 3/8 In. (10mm) (Incls. Item 25).....	1
22	00-915639	Kit - Julienne 2 x 2mm.....	AR
23	00-915640	Kit - Julienne 4 x 4mm.....	AR
24	00-915641	Kit - Julienne 6 x 6mm.....	AR
25	00-915638	Kit - Julienne 10 x 10mm.....	AR



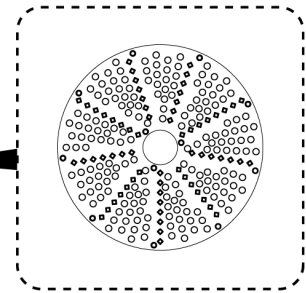
1-2-3-4-5-6
7-8-9-10-11



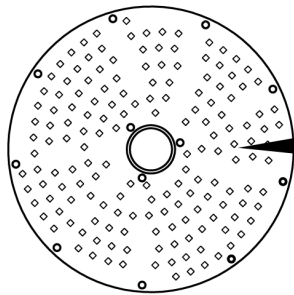
12



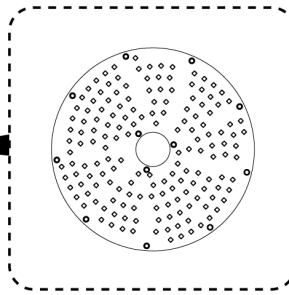
13



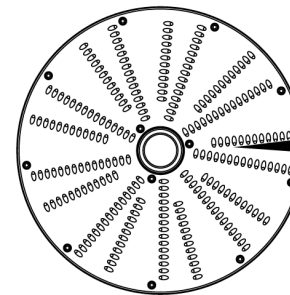
14



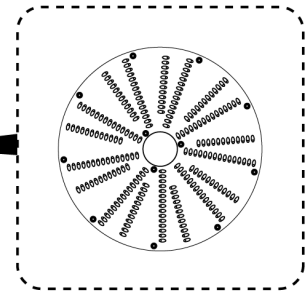
15



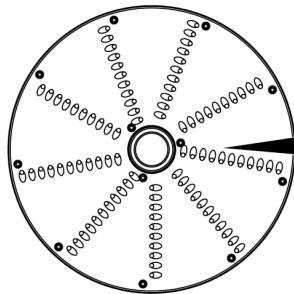
16



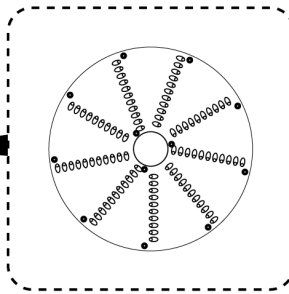
17-18



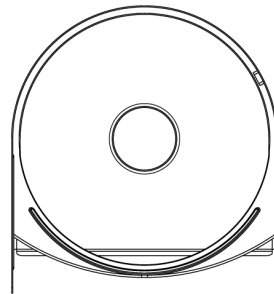
19-20



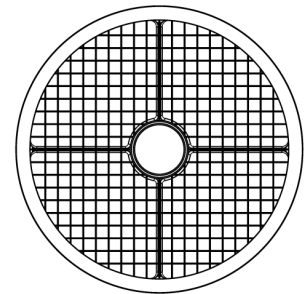
21-22-23-24-25



26-27-28-29-30



31



32-33-34-35-36-37
38-39-40-41-42

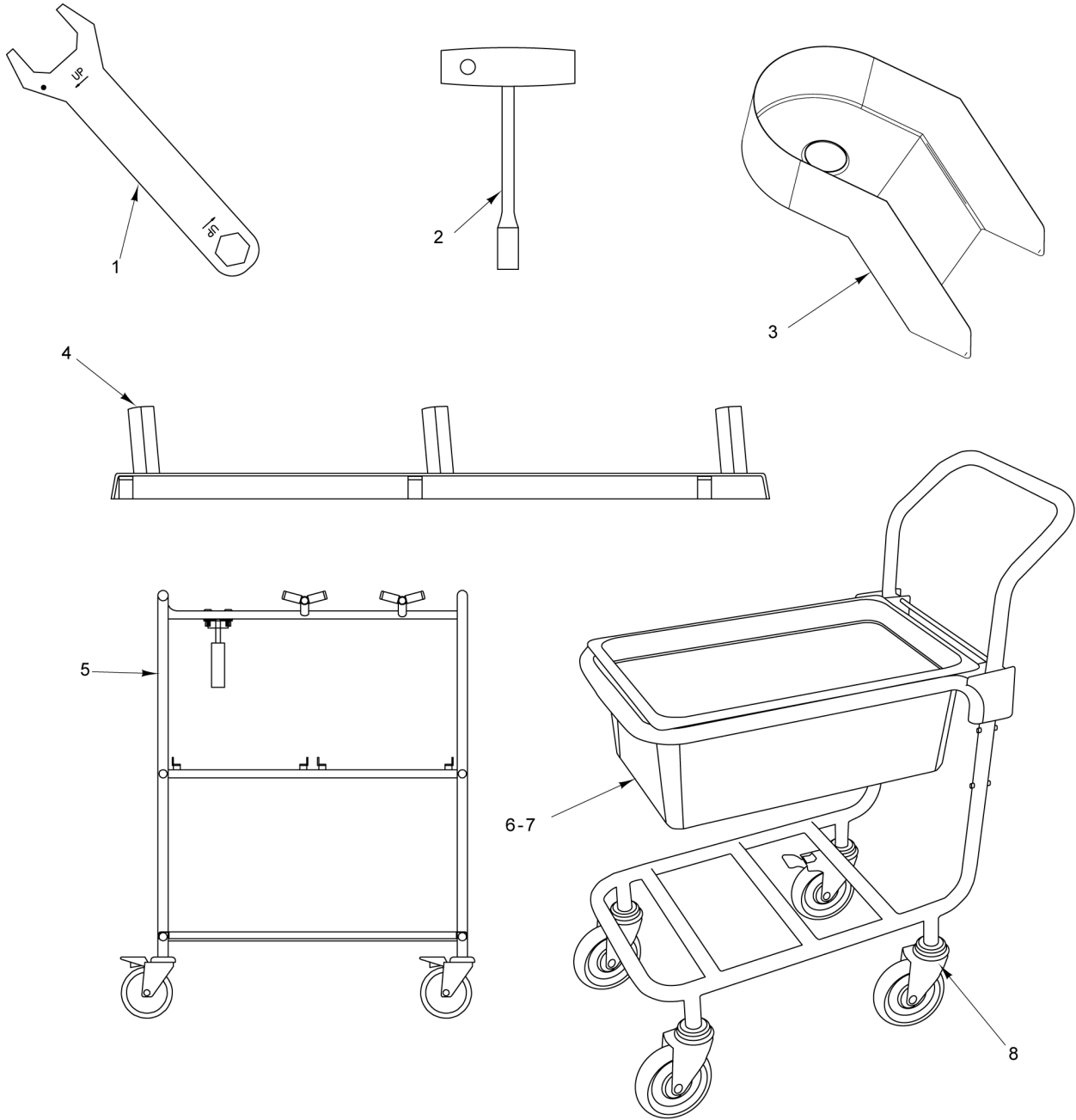
PL-61101

**ACCESSORIES
(SHREDDER / GRATER / DICER)**

**ACCESSORIES
(SHREDDER / GRATER / DICER)**

ILLUS. PL-61101	PART NO.	NAME OF PART	AMT.
*1	00-915873	Plate - Dicer 7/32 In. (6mm) (Must Order Items 31 & 37).....	1
*2	00-915874	Plate - Dicer 5/16 In. (8mm) (Must Order Items 31 & 32).....	1
*3	00-915875	Plate - Dicer 3/8 In. (10mm) (Must Order Items 31 & 33).....	1
*4	00-915876	Plate - Dicer 1/2 In. (12mm) (Must Order Items 31 & 34).....	1
*5	00-915877	Plate - Dicer Low 1/2 In. (12mm) (Must Order Items 31 & 41).....	1
*6	00-915878	Plate - Dicer 5/8 In. (15mm) (Must Order Items 31 & 35).....	1
*7	00-915879	Plate - Dicer Low 5/8 In. (15mm) (Must Order Items 31 & 42).....	1
*8	00-915880	Plate - Dicer 3/4 In. (20mm) (Must Order Items 31 & 36).....	1
*9	00-915881	Plate - Dicer Low 3/4 In. (20mm) (Must Order Items 31 & 39).....	1
*10	00-915882	Plate - Dicer 1 In. (25mm) (Must Order Items 31 & 38).....	1
*11	00-915883	Plate - Dicer Low 1 In. (25mm) (Must Order Items 31 & 40).....	1
12	00-915748	Plate - French Fry Grid 3/8 In. (10mm).....	1
13	00-915556	Plate - Fine Grater 1/16 In. (1.5mm).....	1
14	00-915555	Plate - Cheese Grater.....	1
15	00-439143	Insert - Fine Grater.....	AR
16	00-915733	Insert - Hard Cheese.....	AR
17	00-915563	Plate - Shredder 1/16 In. (1.5mm).....	1
18	00-915568	Plate - Shredder 5/64 In. (2mm).....	1
19	00-439145	Insert - Shredder Plate 1/16 In. (1.5mm).....	AR
20	00-439146	Insert - Shredder Plate 5/64 In. (2mm).....	AR
21	00-915564	Plate - Shredder 1/8 In. (3mm).....	1
22	00-915567	Plate - Shredder 5/32 In. (4.5mm).....	1
23	00-915569	Plate - Shredder 7/32 In. (6mm).....	1
24	00-915566	Plate - Shredder 5/16 In. (8mm).....	1
25	00-915565	Plate - Shredder 3/8 In. (10mm).....	1
26	00-439147	Insert - Shredder Plate 1/8 In. (3mm).....	AR
27	00-439148	Insert - Shredder Plate 5/32 In. (4.5mm).....	AR
28	00-439149	Insert - Shredder Plate 7/32 In. (6mm).....	AR
29	00-439150	Insert - Shredder Plate 5/16 In. (8mm).....	AR
30	00-915734	Insert - Shredder Plate 3/8 In. (10mm).....	AR
31	00-938558	Grid - Dicing.....	1
32	00-915746-00001	Plate - Dicer 9/32 In. (7.5 mm).....	1
33	00-915746-00002	Plate - Dicer 3/8 In. (10 mm).....	1
34	00-915746-00003	Plate - Dicer 1/2 In. (12 mm).....	1
35	00-915746-00004	Plate - Dicer 5/8 In. (15 mm).....	1
36	00-915746-00005	Plate - Dicer 3/4 In. (20 mm).....	1
37	00-915746-00006	Plate - Dicer 7/32 In. (6 mm).....	1
38	00-915746-00007	Plate - Dicer 1 In. (25 mm).....	1
39	00-915744-00001	Plate - Dicer Low 3/4 In. (20 mm).....	1
40	00-915744-00002	Plate - Dicer Low 1 In. (25 mm).....	1
41	00-915744-00003	Plate - Dicer Low 1/2 In. (12 mm).....	1
42	00-915744-00004	Plate - Dicer Low 5/8 In. (15 mm).....	1

* No Longer Available



- | | | |
|----|-----------|-----------------------------------|
| 9 | 00-915561 | Rack - Wall (Incls. 3 Plates) |
| 10 | 00-915884 | Rack - Wall (2) (Incls. 6 Plates) |
- PARTS NOT ILLUSTRATED**

PL-61206

ACCESSORIES (MISC.)

ACCESSORIES (MISC.)

ILLUS.	PART NO.	NAME OF PART	AMT.
PL-61206			
1	00-439923	Wrench - Center Screw.....	1
2	00-479094	Tool.....	1
3	00-915885	Tray (SST).....	1
4	00-914839	Rack - Wall.....	1
5	00-479177	Cart - Accessory (SST).....	1
6	00-479175-00001	Pan (SST).....	1
7	00-479175-00002	Pan (Clear).....	1
8	00-479180	Cart - Product.....	1
*9	00-915561	Rack - Wall (Incls. 3 Plates).....	1
**10	00-915884	Rack - Wall (2) (Incls. 6 Plates).....	1

* Incls. 00-971170, 00-915575, 00-915566, and 00-914839.

** Incls. 00-971170, 00-915575, 00-915576, 00-915573, 00-915566, 00-915875, and 00-914839 (2).

