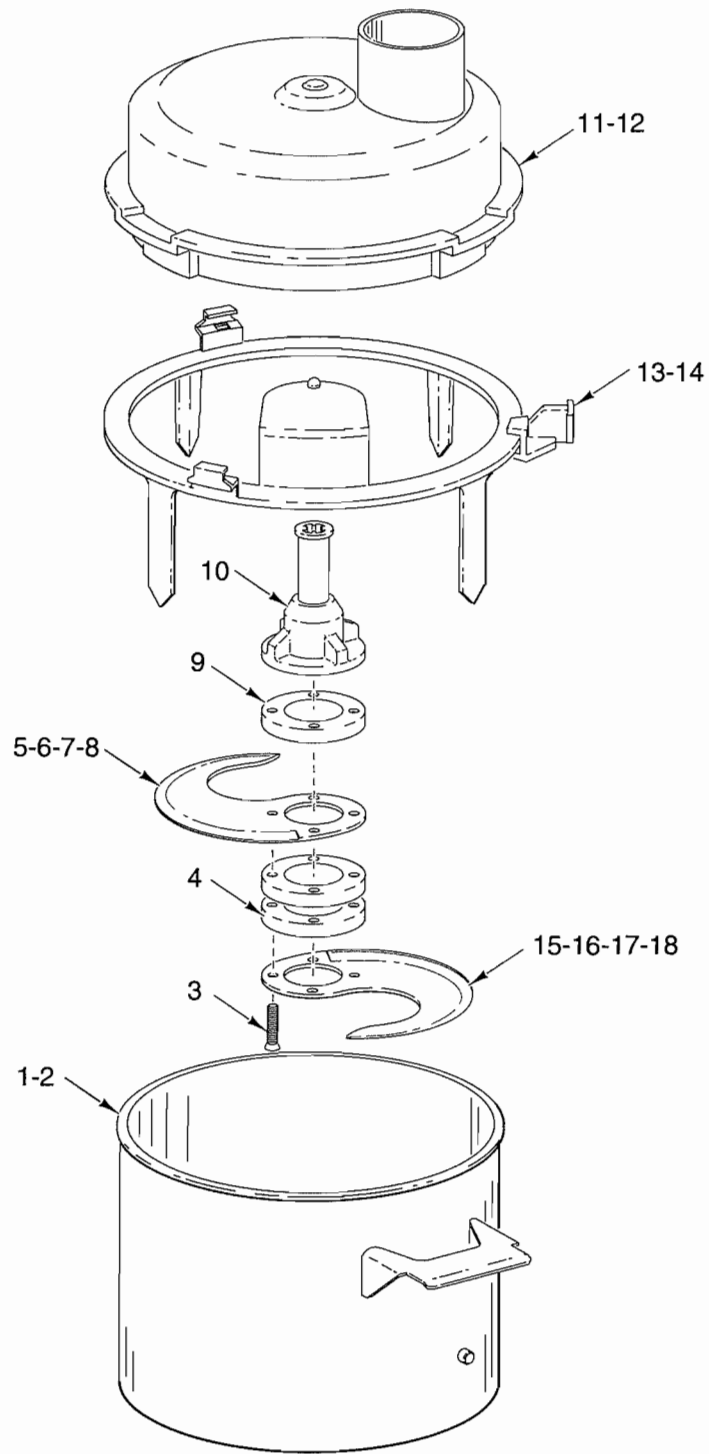




# CATALOG OF REPLACEMENT PARTS

## FOOD PROCESSOR

FP41	ML-104345
FP61	ML-104346
FP62	ML-104347

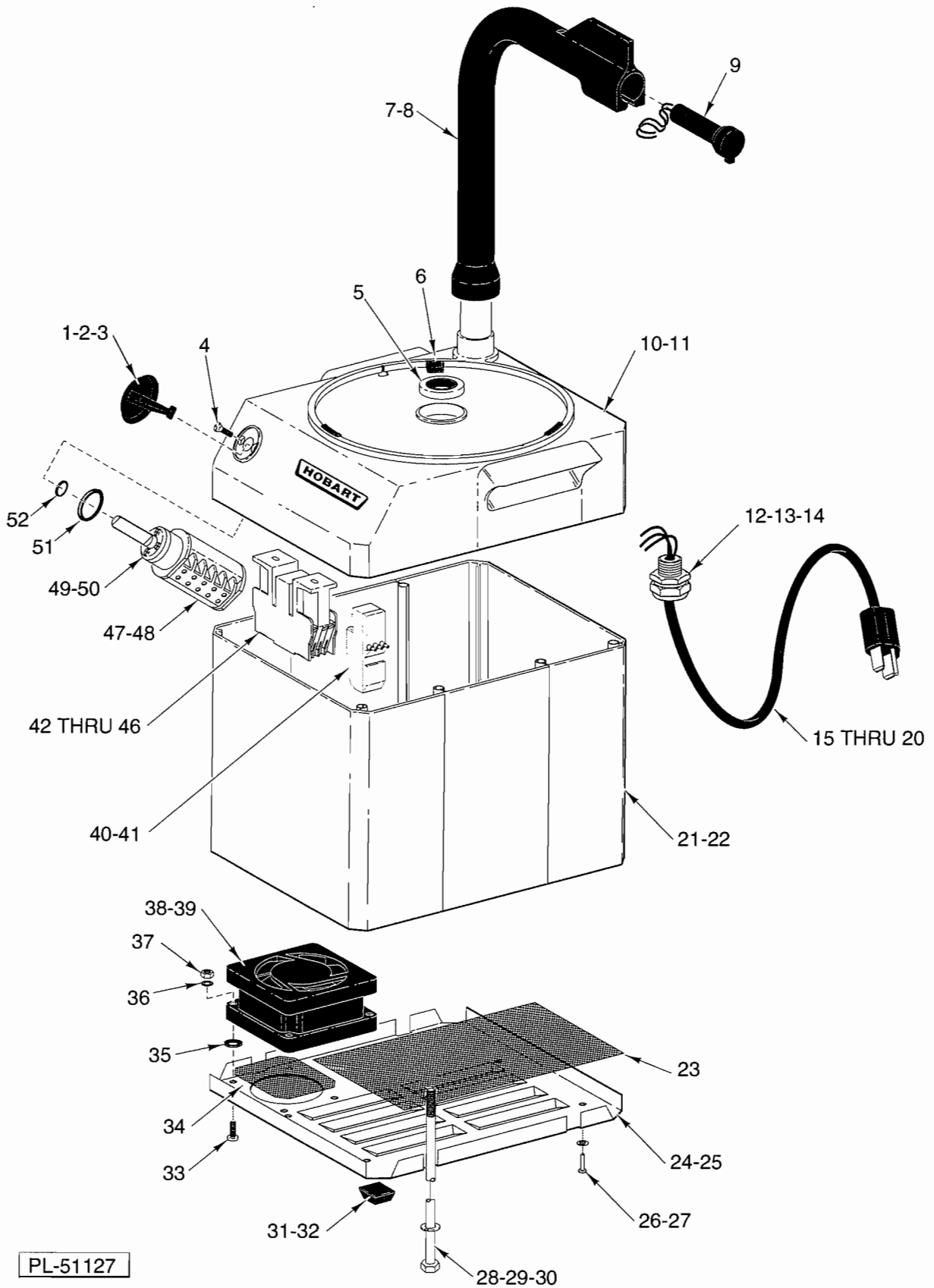


PL-51126

**BOWL & KNIFE UNIT**

## BOWL &amp; KNIFE UNIT

ILLUS. PL-51126	PART NO.	NAME OF PART	AMT.
1	438183	Bowl - 4 Quart (Packaged)(FP41) .....	1
2	438184	Bowl - 6 Quart (Packaged)(FP61 & FP62) .....	1
3	SC-118-30	Mach. Screw M5 x 0.8 x 35mm Flat Hd. SST .....	4
4	437948	Scraper .....	2
5	437951	Knife - Upper (FP41) .....	1
6	437968	Knife - Upper (FP61 & FP62) .....	1
7	437953	Blade - Upper (Not Shown) (FP41) .....	1
8	437970	Blade - Upper (Not Shown) (FP61 & FP62) .....	1
9	437948	Scraper .....	1
10	437943	Shaft - Knife .....	1
11	437944	Cover - Bowl (FP41) .....	1
12	437965	Cover - Bowl (FP61 & FP62) .....	1
13	437936	Ring - Bowl Scraping (FP41) .....	1
14	437961	Ring - Bowl Scraping (FP61 & FP62) .....	1
15	437952	Knife - Lower ((FP41) .....	1
16	437969	Knife - Lower (FP61 & FP62) .....	1
17	437954	Blade - Lower (Not Shown) (FP41) .....	1
18	437971	Blade - Lower (Not Shown) (FP61 & FP62) .....	1
	438368	Stone (Whetstone) .....	1
	438367	Spatula .....	1
	438187	Knife - 4 Quart Whip (Packaged)(FP41) .....	1
	438185	Knife - 4 Quart Cut/Mix (Packaged)(FP41) .....	1
	438188	Knife - 6 Quart Whip (Packaged)(FP61 & FP62) .....	1
	438186	Knife - 6 Quart Cut/Mix (Packaged)(FP61 & FP62) .....	1

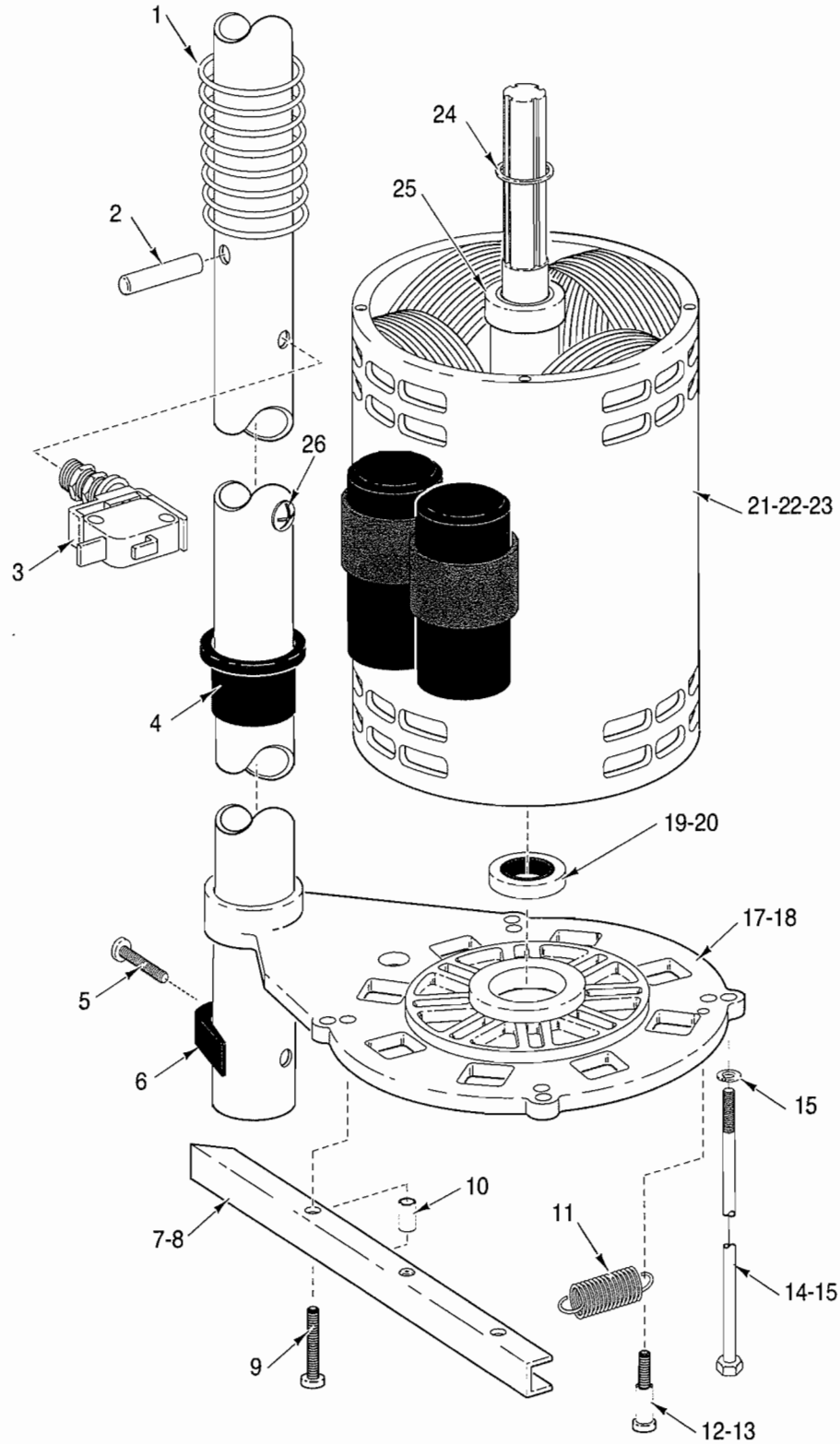


PL-51127

HOUSING

## HOUSING

ILLUS. PL-51127	PART NO.	NAME OF PART	AMT.
1	437956	Knob - Indicator (Knob - Indicator (FP41 & FP61) .....	1
2	437957	Knob - Indicator (FP62) .....	1
3	437924	Washer - Seal V-10 .....	1
4	SC-118-26	Mach. Screw M4 x 10mm Flat Hd. ....	2
5	437973	Seal - Washer .....	1
6	437935	Buffer .....	3
7	437932	Arm (FP41) .....	1
8	437958	Arm (FP61 & FP62) .....	1
9	437950	Switch Magnet .....	1
10	437939	Cover - Top (FP41) .....	1
11	437963	Cover - Top (FP61 & FP62) .....	1
12	FE-24-37	Strain Relief (FP41) .....	1
13	FE-25-9	Strain Relief (FP61) .....	1
14	FE-24-97	Strain Relief (FP62) .....	1
15	274319	Cord & PLug (FP41) .....	1
16	438358	Cord - Power Supply (3 Wire)(FP61) .....	1
17	438359	Cord - Power Supply (4 Wire)(FP62) .....	1
18	437986	Plug 125 V.)(FP61) .....	1
19	437985	Plug (240 V.)(FP62) .....	1
20	274344	Circuit - RC 110 V .....	1
21	437933	Housing (FP41) .....	1
22	437959	Housing (FP61 & FP62) .....	1
23	438363	Screen - Louver .....	1
24	438360	Plate - Cover (FP41) .....	1
25	438361	Plate - Cover (FP61 & FP62) .....	1
26	438369	Lockwasher .....	AR
27	RS-14-4	Rivet 1/8 x 3/16 Button Hd. ....	AR
28	WL-19-75	Lockwasher 5.1MM Medium .....	8
29	SC-122-41	Cap Screw M5 x 0.8 x 172mm Hex Hd. (FP41) .....	4
30	SC-122-42	Cap Screw M5 x 0.8 x 197mm Hex Hd. SST (FP61 & FP62) .....	4
31	274353	Foot - Rubber (FP41) .....	4
32	437925	Foot - Rubber (FP61 & FP62) .....	4
33	SC-118-28	Mach. Screw M4 x 12 Pan Hd. ....	4
34	438362	Screen - Fan .....	1
35	438370	Washer .....	4
36	WL-200-3	Lockwasher .....	4
37	NS-200-3	Nut Hex M4 x 0.7 (SST.) .....	4
38	438365	Fan - 120 V. (FP41 & FP61) .....	1
39	438366	Fan - 230 V. (FP62) .....	1
40	437984	Protector - Overload LR2-01321 (FP61) .....	1
41	437983	Protector - Overload LR2-D1310 (FP62) .....	1
42	437979	Contact 110 V. LCI-025 (FP41 & FP61) .....	1
43	SC-121-22	Mach. Screw M4 x 0.7 x 16mm Cheese Hd. (FP41 & FP62) .....	2
44	437980	Contact 240 V. LCI-D09 (FP62) .....	1
45	SC-122-37	Mach. Screw M4 x 0.7 x 10mm Pan Hd. SST (Use with item 42)(FP61) .....	2
46	438364	Bracket - Rail (FP61) .....	1
47	437977	Switch - Selector (CH20)(FP41 & FP61) .....	1
48	437978	Switch - Selector (CA-10)(FP62) .....	1
49	SC-122-37	Mach. Screw M4 x 0.7 x 10mm Pan Hd. SST .....	4
50	437976	Spacer .....	1
51	437982	Ring - Seal .....	1
52	437981	Washer - Seal .....	1
	437955	Harness - Wire (FP41 & FP61) .....	1
	437972	Harness - Wire (Harness - Wire (FP62) .....	1



PL-51128

**MOTOR UNIT**

MOTOR UNIT

ILLUS. PL-51128	PART NO.	NAME OF PART	AMT.
1	437945	Spring - Pressure .....	1
2	437938	Pin .....	1
3	437928	Switch - Micro BVMF .....	1
4	437923	Bushing .....	1
5	SD-37-93	Self-Tapping Screw 6-20 x 1/16 Phil. Pan Hd., Type B .....	1
6	437937	Knob Cam .....	1
7	437949	Device - Brake (FP41) .....	1
8	437966	Device - Brake (FP61 & FP62) .....	1
9	SC-122-38	Mach. Screw 4M x 0.7 x 25mm Pan Hd. SST .....	1
10	437946	Sleeve .....	1
11	437941	Spring - Draw .....	1
12	437946	Sleeve .....	1
13	SC-122-38	Mach. Screw 4M x 0.7 x 25mm Pan Hd. SST .....	1
14	SC-122-39	Cap Screw M5 x 0.8 x 156mm Hex Hd. Stl. (FP41) .....	4
15	SC-122-40	Cap Screw M5 x 0.8 x 188mm Hex Hd., Min. Thrd. 16mm (FP61 & FP62) .....	4
16	WL-19-75	Lockwasher 5.1MM Medium .....	4
17	437942	Bearing Bracket (FP41) .....	1
18	437964	Bearing Bracket (FP61 & FP62) .....	1
19	BB-21-19	Ball Bearing (FP41) .....	1
20	BB-5-23	Ball Bearing (FP61 & FP62) .....	1
21	437929	Motor Assy. (FP41) .....	1
22	437930	Motor Assy. (FP61) .....	1
23	437931	Motor Assy. (FP62) .....	1
24	437922	Washer - Cupped .....	1
25	BB-15-8	Ball Bearing MRC 105KSZZ-01-ST-A-92-C .....	1
26	SD-32-23	Self-Tapping 8-18 x 3/8 Phil. Pan Hd., Type B .....	1