



CATALOG OF REPLACEMENT PARTS

HCM SERIES FOOD PROCESSORS

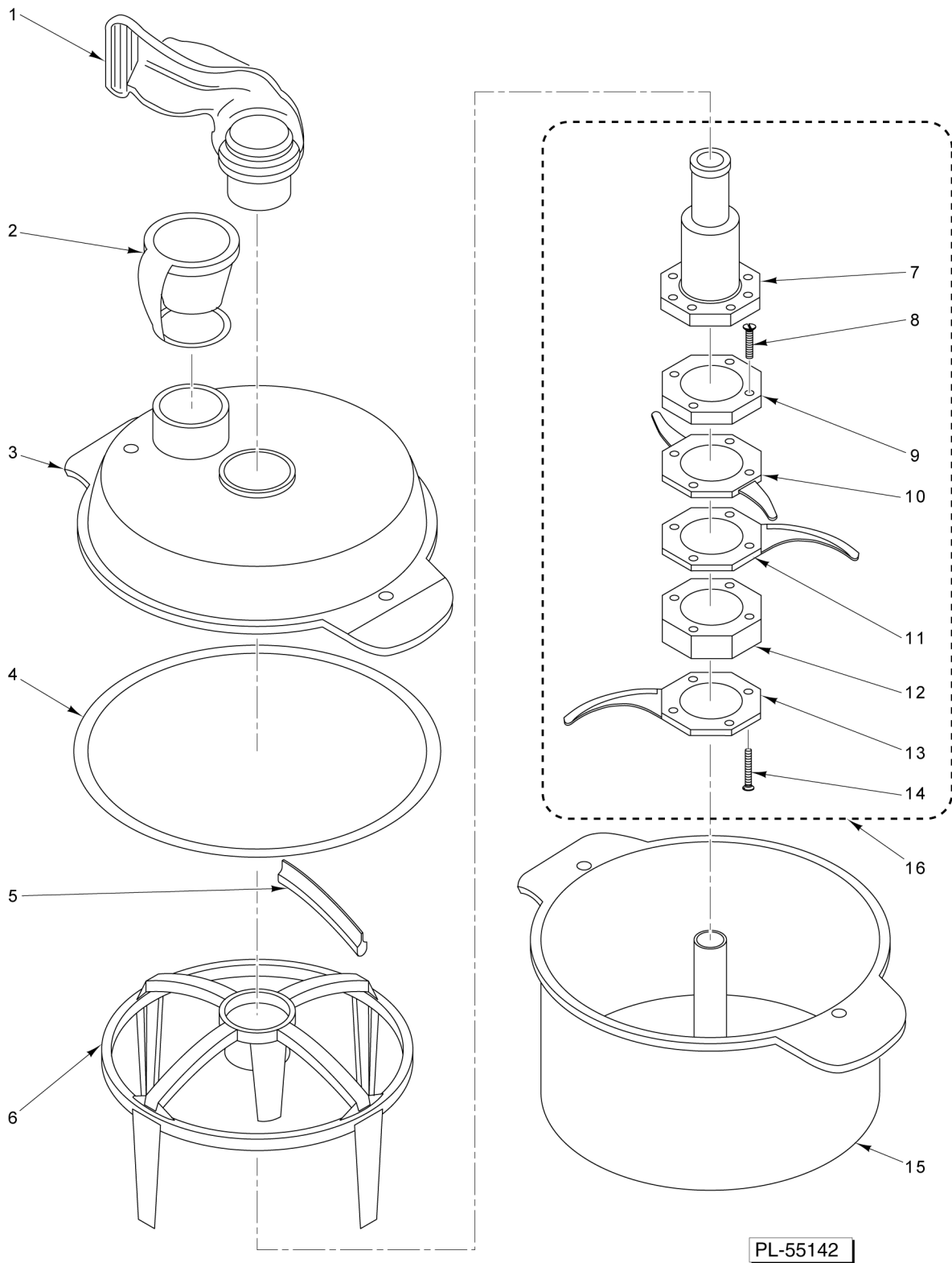


HCM61
HCM62

ML-134017
ML-134018

Table of Contents

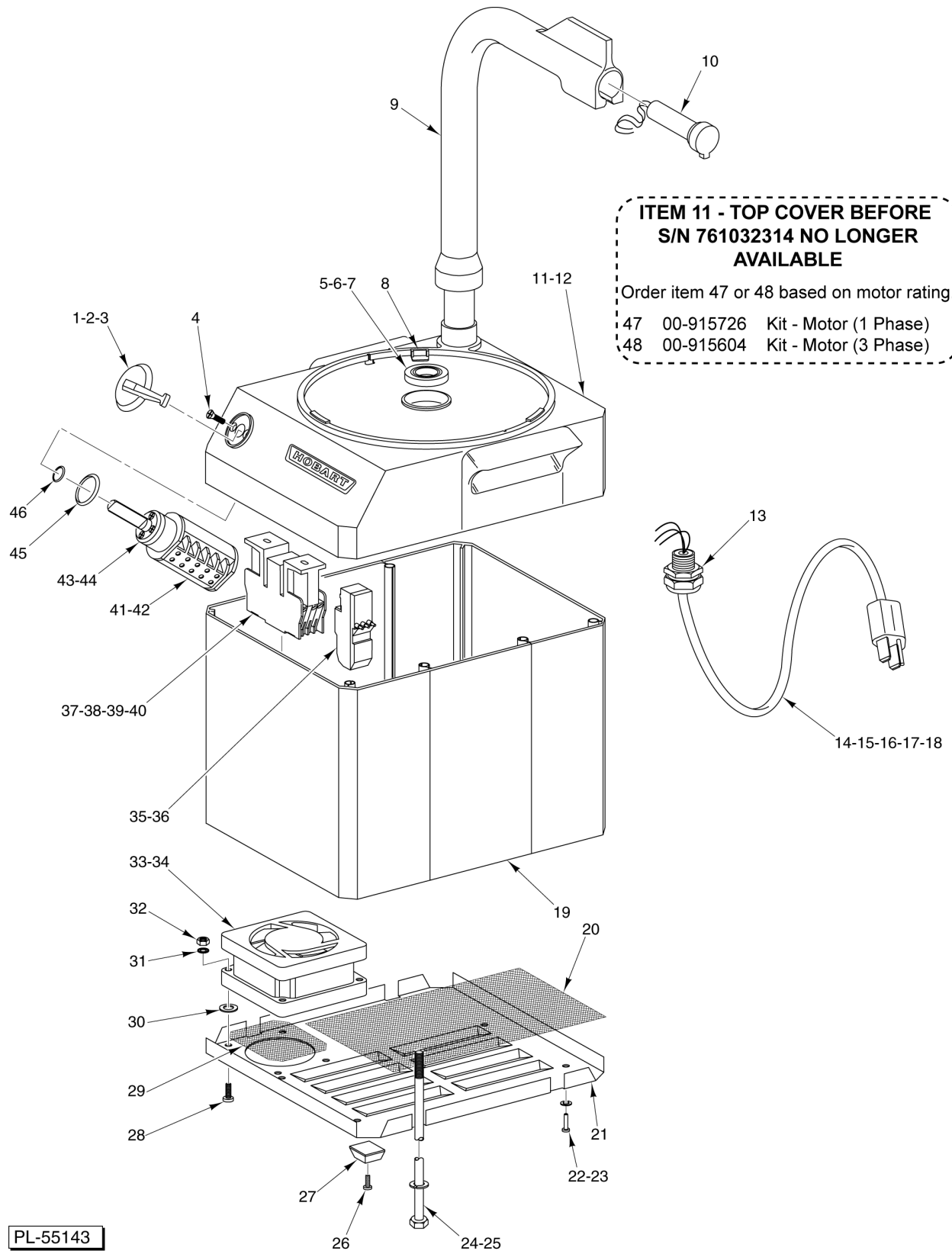
| | |
|---|-------------------|
| 5 | BOWL & KNIFE UNIT |
| 7 | HOUSING |
| 9 | MOTOR UNIT |



BOWL & KNIFE UNIT

BOWL & KNIFE UNIT

| ILLUS. | PART NO. | NAME OF PART | AMT. |
|----------|-----------|--|------|
| PL-55142 | | | |
| 1 | 00-875011 | Handle - Scraper..... | 1 |
| 2 | 00-875002 | Plug..... | 1 |
| 3 | 00-875001 | Lid..... | 1 |
| 4 | 00-875000 | Seal - Lid..... | 1 |
| 5 | 00-873992 | Blade - Scraper..... | 4 |
| 6 | 00-873991 | Scraper..... | 1 |
| 7 | 00-944039 | Head - Knife..... | 1 |
| 8 | SC-131-29 | Mach. Screw M5 x 0.8 x 25mm..... | 4 |
| 9 | 00-944040 | Support - Knife..... | 1 |
| 10 | 00-944042 | Knife - Turning..... | 1 |
| 11 | 00-944043 | Knife - Serrated, Middle..... | 1 |
| 12 | 00-944041 | Spacer - Knife..... | 1 |
| 13 | 00-944044 | Knife - Serrated, Low..... | 1 |
| 14 | SC-131-28 | Mach. Screw M5 x 0.8 x 35mm..... | 4 |
| 15 | 00-875003 | Bowl..... | 1 |
| 16 | 00-875538 | Knife - Head (Incls. Items 7 thru 14)..... | 1 |



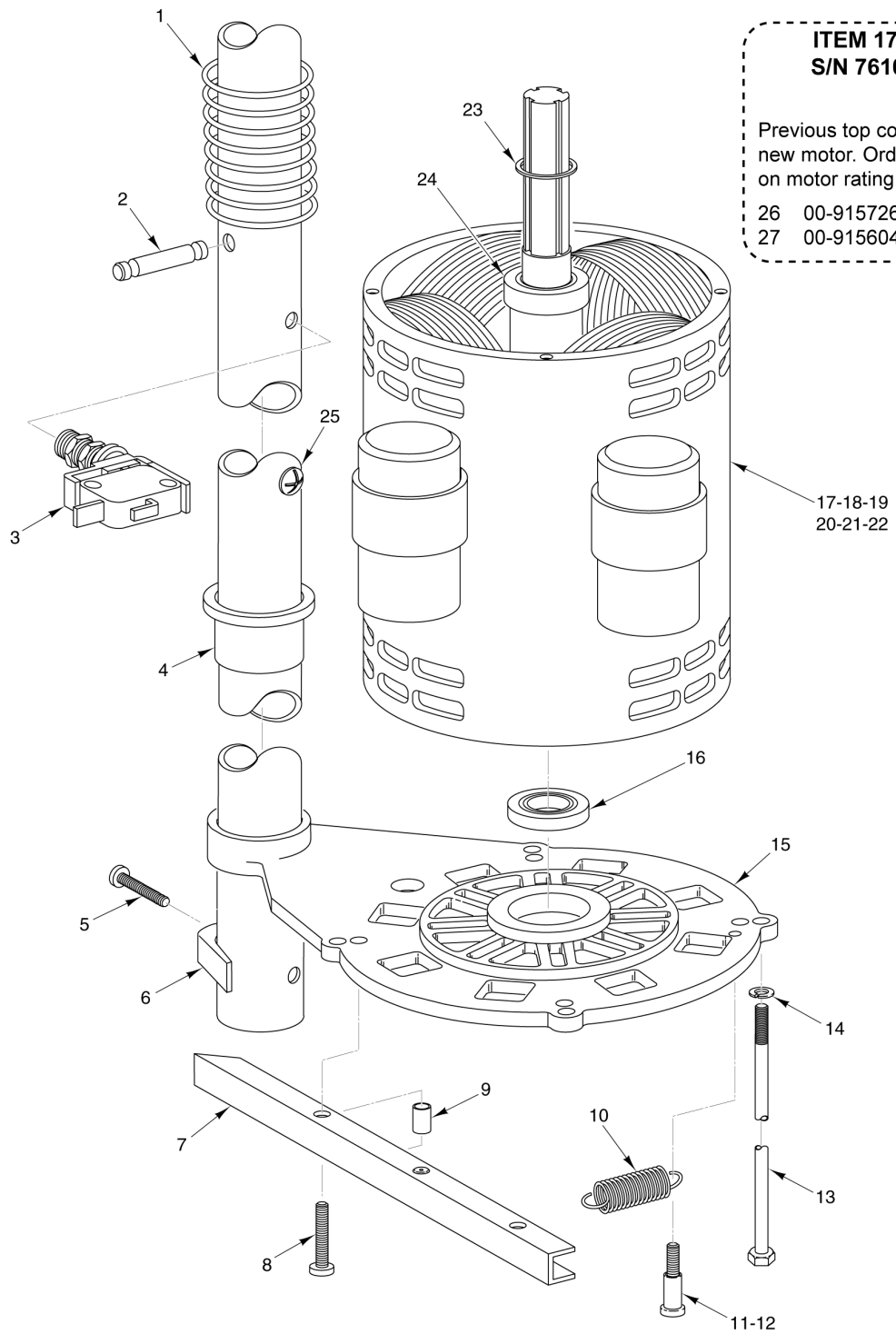
PL-55143

HOUSING

HOUSING

| ILLUS. | PART NO. | NAME OF PART | AMT. |
|--------|-----------|---|------|
| | PL-55143 | | |
| 1 | 00-477295 | Knob - Indicator 220/240 V. (HCM61)..... | 1 |
| 2 | 00-437957 | Knob - Indicator (HCM62)..... | 1 |
| 3 | 00-437924 | Washer - Seal V-10..... | 1 |
| 4 | SC-121-54 | Mach. Screw M4 x 16mm Flat Hd..... | 2 |
| 5 | 00-437973 | Seal - Washer (Before S/N 761032314)..... | 1 |
| 6 | 00-914734 | Washer - Seal (Starting S/N 761032314)..... | 1 |
| 7 | 00-914735 | Seal - Ring (Starting S/N 761032314)..... | 1 |
| 8 | 00-437935 | Buffer..... | 3 |
| 9 | 00-437958 | Arm..... | 1 |
| 10 | 00-437950 | Switch Magnet..... | 1 |
| *11 | | Cover - Top (Before S/N 761032314) (Order Item 47 or 48)..... | 1 |
| 12 | 00-938043 | Cover - Top (Starting S/N 761032314)..... | 1 |
| 13 | FE-025-09 | Strain Relief..... | 1 |
| 14 | 00-438358 | Cord - Power Supply (3 Wire) (HCM61)..... | 1 |
| 15 | 00-438359 | Cord - Power Supply (4 Wire) (HCM62)..... | 1 |
| 16 | 00-437986 | Plug (125 V.) (HCM61)..... | 1 |
| 17 | 00-437985 | Plug (240 V.) (HCM62)..... | 1 |
| 18 | 00-274344 | Circuit - RC 110 V. (HCM61)..... | 1 |
| 19 | 00-437959 | Housing..... | 1 |
| 20 | 00-438363 | Screen - Louver..... | 1 |
| 21 | 00-438361 | Plate - Cover..... | 1 |
| 22 | 00-438369 | Lockwasher..... | 1 |
| 23 | RS-014-04 | Rivet 1/8 x 5/16 Button Hd..... | 1 |
| 24 | WL-019-75 | Lockwasher 5.1mm Medium..... | 8 |
| 25 | SC-122-42 | Cap Screw M5 x 0.8 x 197mm Hex Hd. (SST)..... | 4 |
| 26 | SC-118-28 | Mach. Screw M4 x 0.7 x 12mm Slotted Pan Hd. (SST)..... | 4 |
| 27 | 00-439739 | Foot..... | 4 |
| 28 | SC-121-59 | Mach. Screw M5 x 0.8 x 10mm Truss Hd..... | 4 |
| 29 | 00-438362 | Screen - Fan..... | 1 |
| 30 | 00-875016 | Washer..... | 4 |
| 31 | WL-200-03 | Lockwasher M4 (SST)..... | 4 |
| 32 | NS-200-03 | Nut M4 x 0.7 Hex (SST)..... | 4 |
| 33 | 00-438365 | Fan - 120 V. (HCM61)..... | 1 |
| 34 | 00-438366 | Fan - 230 V. (HCM62)..... | 1 |
| 35 | 00-875530 | Relay - Overload (HCM61)..... | 1 |
| 36 | 00-937888 | Relay - Overload (HCM62)..... | 1 |
| 37 | 00-915785 | Contactactor 110 V. (HCM61)..... | 1 |
| 38 | 00-875528 | Protector - Overload LRD10 4-6A (HCM62)..... | 1 |
| 39 | SC-121-22 | Mach. Screw M4 x 0.7 x 16mm Cheese Hd. (HCM62)..... | 2 |
| 40 | 00-438364 | Bracket - Rail (HCM61)..... | 1 |
| 41 | 00-437977 | Switch - Selector (HCM61)..... | 1 |
| 42 | 00-437978 | Switch - Selector (HCM62)..... | 1 |
| 43 | SC-122-37 | Mach. Screw M4 x 0.7 x 10mm Phil. Pan Hd. (SST)..... | 4 |
| 44 | 00-437976 | Spacer..... | 1 |
| 45 | 00-437982 | Ring - Seal..... | 1 |
| 46 | 00-437981 | Washer - Seal..... | 1 |
| 47 | 00-915726 | Kit - Motor (1 Phase) (Before S/N 761032314)..... | 1 |
| 48 | 00-915604 | Kit - Motor (3 Phase) (Before S/N 761032314)..... | 1 |

* No Longer Available



**ITEM 17 - MOTOR BEFORE
S/N 761032314 NO LONGER
AVAILABLE**

Previous top cover is not compatible with
new motor. Order item 26 or 27 based
on motor rating.

| | | |
|----|-----------|-----------------------|
| 26 | 00-915726 | Kit - Motor (1 Phase) |
| 27 | 00-915604 | Kit - Motor (3 Phase) |

PL-55144

MOTOR UNIT

MOTOR UNIT

| ILLUS. | PART NO. | NAME OF PART | AMT. |
|----------|-----------|--|------|
| PL-55144 | | | |
| 1 | 00-875005 | Spring - Pressure..... | 1 |
| 2 | 00-875009 | Pin..... | 1 |
| 3 | 00-938549 | Switch, Micro..... | 1 |
| 4 | 00-875022 | Bushing..... | 1 |
| 5 | SD-037-93 | Self-Tapping Screw 6-20 x 13/16 Phil. Pan Hd., Type B..... | 1 |
| 6 | 00-914887 | Knob - Cam..... | 1 |
| 7 | 00-914272 | Device - Brake..... | 1 |
| 8 | SC-122-38 | Mach. Screw M4 x 0.7 x 25mm Pan Hd. (SST)..... | 1 |
| 9 | 00-437946 | Sleeve..... | 1 |
| 10 | 00-875006 | Spring - Draw..... | 1 |
| 11 | 00-437946 | Sleeve..... | 1 |
| 12 | SC-122-38 | Mach. Screw M4 x 0.7 x 25mm Pan Hd. (SST)..... | 1 |
| 13 | SC-122-40 | Cap Screw M5 x 0.8 x 188mm Hex Hd., Min. Thrd. 16mm..... | 4 |
| 14 | WL-019-75 | Lockwasher M10 5.1mm Helical (SST)..... | 4 |
| 15 | 00-875021 | Bearing - Bracket..... | 1 |
| 16 | BB-005-23 | Ball Bearing..... | 1 |
| *17 | | Motor (Before S/N 761032314) (Order Item 26 or 27)..... | 1 |
| 18 | 00-915579 | Rotor (1 Phase) (Before S/N 761032314)..... | 1 |
| 19 | 00-915708 | Stator (1 Phase) (Before S/N 761032314)..... | 1 |
| 20 | 00-438767 | Switch - Electronic Start (HCM61)..... | 1 |
| 21 | 00-875030 | Capacitor - Start (HCM61)..... | 1 |
| 22 | 00-875031 | Capacitor - Run (HCM61)..... | 1 |
| 23 | 00-437922 | Washer - Cupped..... | 1 |
| 24 | BB-015-08 | Bearing - Ball..... | 1 |
| 25 | SD-032-23 | Self-Tapping Screw 8-18 x 3/8 Phil. Pan Hd., Type B..... | 1 |
| 26 | 00-915726 | Kit - Motor (1 Phase) (Before S/N 761032314) (HCM61)..... | 1 |
| 27 | 00-915604 | Kit - Motor (3 Phase) (Before S/N 761032314)..... | 1 |

* No Longer Available

