



# CATALOG OF REPLACEMENT PARTS

## A.) MODELS 6614 & 6801 MEAT SAWS



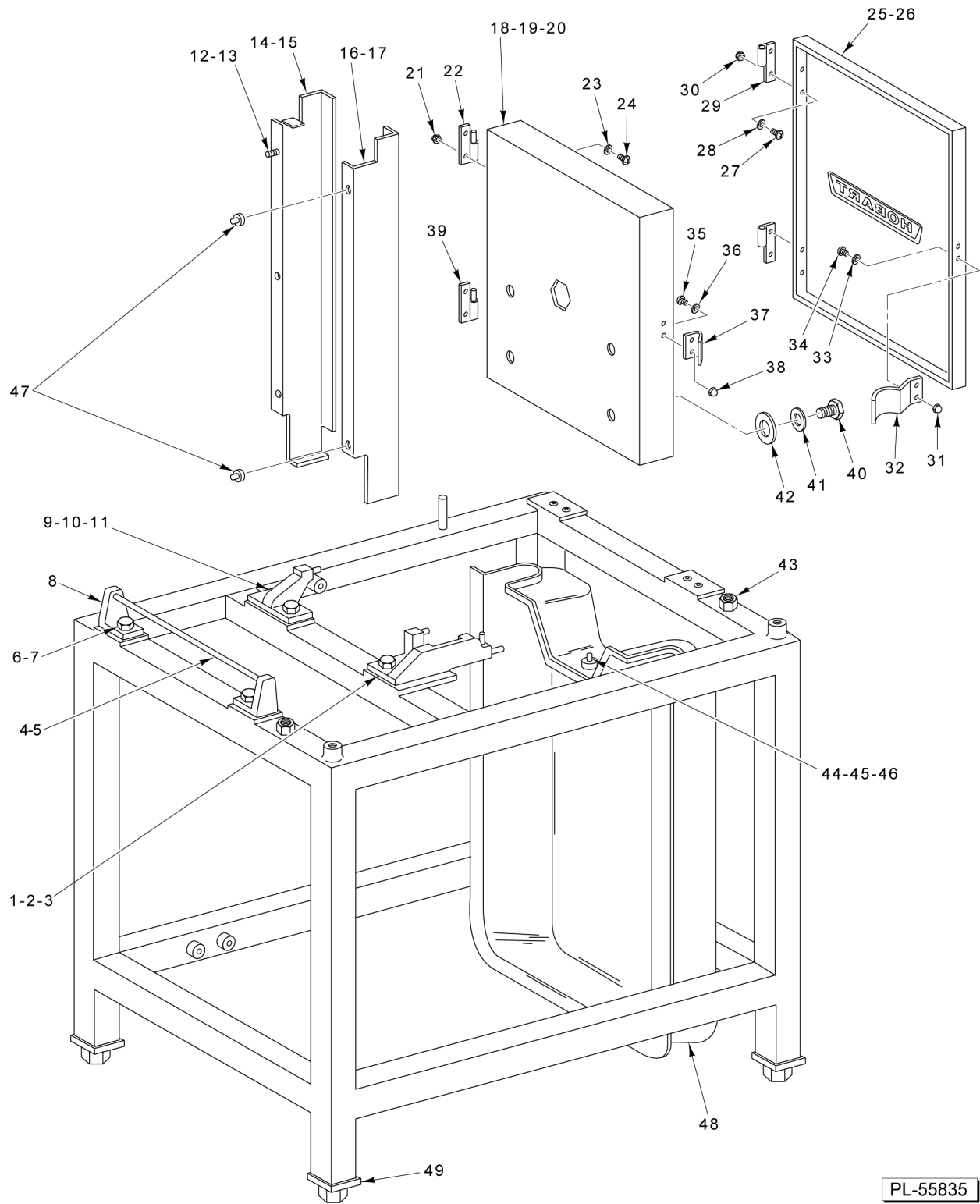
ML-134096  
ML-141220  
ML-134094  
ML-141167

6614  
6614-IP  
6801  
6801-IP



**Table of Contents**

5	FRAME AND COVER
7	DRIVE AND TENSION ADJUSTMENT UNIT(MODEL 6614)
9	DRIVE AND TENSION ADJUSTMENT UNIT(MODEL 6801)
11	LOWER PULLEY UNIT
13	UPPER BEARING CARRIER UNIT
15	TABLES AND CARRIAGE UNIT
17	CARRIAGE ASSEMBLY (INTEGRATED PUSHER-EQUIPPED)
19	UPPER GUIDE UNIT
21	LOWER WIPER UNIT
23	ELECTRICAL UNIT
27	GAUGE PLATE UNIT

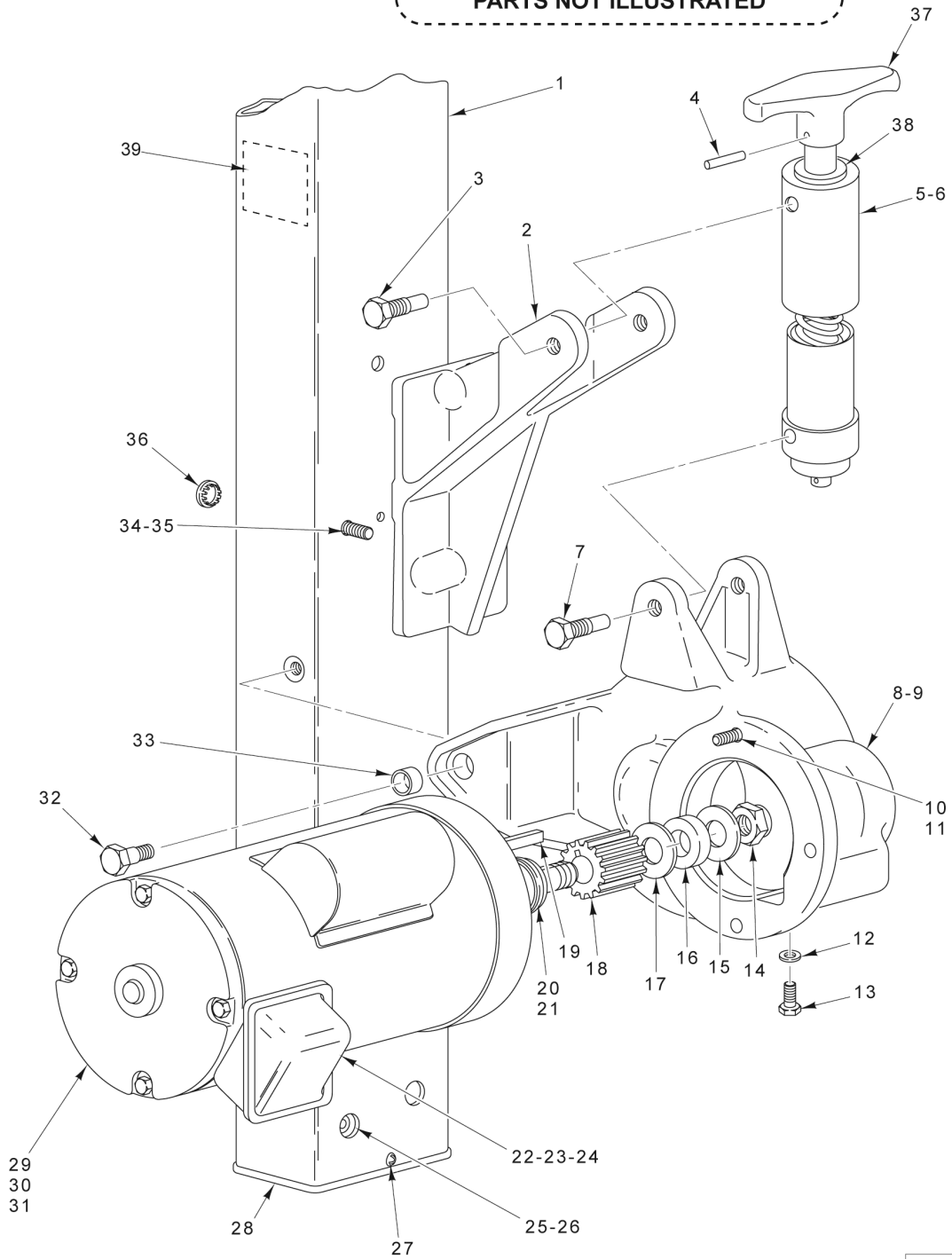


**FRAME AND COVER**

## FRAME AND COVER

ILLUS. PL-55835	PART NO.	NAME OF PART	AMT.
1	00-291653	Lower Guide Support & Pin Assy.....	1
2	SC-041-31	Cap Screw 3/8-16 x 1-1/4 Hex Hd. (SST).....	2
3	WS-018-40	Washer (SST).....	2
4	00-290758-00001	Rod - Anchor (Left Table) (Model 6801).....	1
5	00-290758-00003	Rod - Anchor (Left Table) (Model 6614).....	1
6	SC-041-31	Cap Screw 3/8-16 x 1-1/4 Hex Hd. (SST).....	2
7	WS-018-40	Washer (SST).....	2
8	00-290751	Support - Left Table.....	2
9	00-290752	Table Lock & Pin Assy.....	1
10	SC-041-31	Cap Screw 3/8-16 x 1-1/4 Hex Hd. (SST).....	2
11	WS-018-40	Washer (SST).....	2
12	SC-093-07	Mach. Screw 10-32 x 1/2 Slotted Pan Hd. (SST).....	3
13	WL-006-07	Lockwasher #10 Helical (SST).....	3
14	00-875255	Guard - Column (Model 6801).....	1
15	00-875087	Guard - Column (Model 6614).....	1
16	00-875256	Guard - Removable (Model 6801).....	1
17	00-875088	Guard - Removable (Model 6614).....	1
18	00-873735	Upper Baffle Assy. (Incls. Items 20 thru 23 & 34 thru 38) (Model 6801).....	1
19	00-875112	Upper Baffle Assy. (Incls. Items 20 thru 23 & 34 thru 38) (Model 6614).....	1
20	00-873205	Baffle - Upper Pulley (SST) (Model 6801).....	1
21	NS-046-33	Acorn Nut 6-32 Hex.....	4
22	00-437788	Hinge - Upper Assy.....	1
23	WS-028-03	Washer (SST).....	4
24	SC-115-26	Mach. Screw 6-32 x 1/4 Slotted Pan Hd. (SST).....	4
25	00-479153	Upper Cover Assy. (Incls. Items 26 thru 33) (Model 6801).....	1
26	00-875111	Upper Cover Assy. (Incls. Items 26 thru 33) (Model 6614).....	1
27	SC-115-26	Mach. Screw 6-32 x 1/4 Slotted Pan Hd. (SST).....	4
28	WS-028-03	Washer (SST).....	4
29	00-437378-00002	Hinge - Lift Off (W/O Pin).....	2
30	NS-046-33	Acorn Nut 6-32 Hex.....	4
31	NS-046-33	Acorn Nut 6-32 Hex.....	2
32	00-291502	Clip - Latch.....	1
33	WS-028-03	Washer (SST).....	2
34	SC-115-26	Mach. Screw 6-32 x 5/16 Pan Hd.....	2
35	SC-021-07	Mach. Screw 6-32 x 1/4 Slotted Rd. Hd. (SST).....	2
36	WS-028-03	Washer (SST).....	2
37	00-437608	Clip - Retainer.....	1
38	NS-046-33	Acorn Nut 6-32 Hex.....	2
39	00-437787	Hinge - Lower Assy.....	1
40	SC-041-50	Cap Screw 1/4-20 x 1/2 Hex Hd. (SST).....	4
41	WS-003-47	Washer (SST).....	4
42	00-291763-00002	Washer - Rubber (Model 6801).....	4
43	00-875054	Screw - Jack (Model 6614).....	2
44	00-290860	Anchor - Lower Cover.....	1
45	SC-041-05	Cap Screw 1/4-20 x 5/8 Hex Hd.....	1
46	WS-003-47	Washer (SST).....	1
47	00-937691	Pin - Anchor.....	2
48	00-875184	Cover - Lower (Incls. Items 44-46).....	1
49	00-435792	Foot (2 to 4 In. Adjustable Height).....	4

40 00-875114-00001 Motor & Pinion Assy.  
 41 00-875114-00003 Motor & Pinion Assy.  
**PARTS NOT ILLUSTRATED**

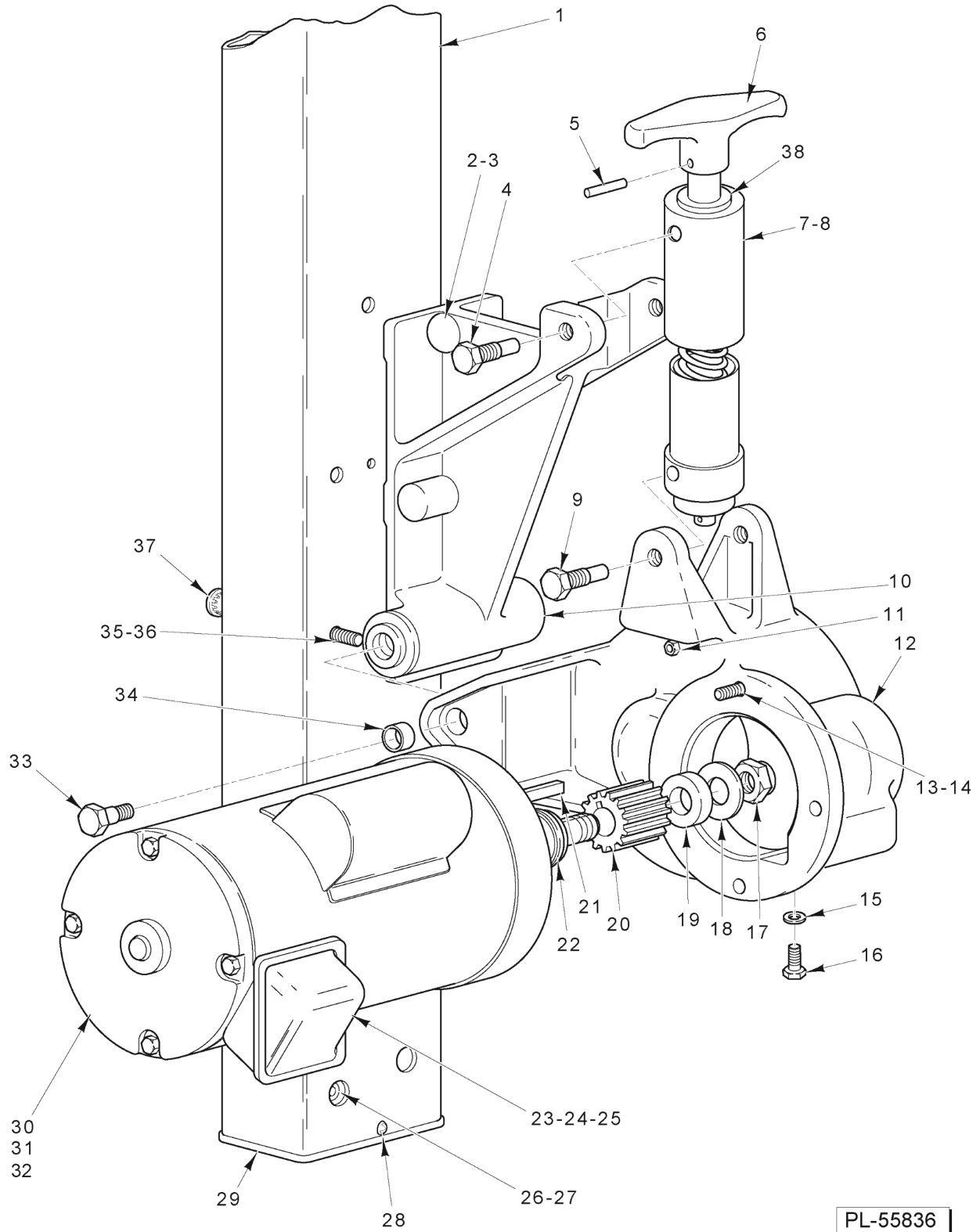


PL-55837

**DRIVE AND TENSION ADJUSTMENT UNIT(MODEL 6614)**

**DRIVE AND TENSION ADJUSTMENT UNIT(MODEL 6614)**

ILLUS.	PART NO.	NAME OF PART	AMT.
PL-55837			
1	00-946737-00001	Column & Label Assy. (Domestic).....	1
	00-946737-00003	Column & Label Assy. (North America Ready (NAR)) (ML-141220).....	1
2	00-875047-00002	Transmission Support Assy.....	1
3	00-290832	Pivot - Tension Adjusting.....	2
4	RP-002-07	Roll Pin 3/16 x 1 1/4 Lg. (SST).....	1
5	00-873500	Tensioner Assy. (Incls. Items 4, 6, 37, & 38).....	1
6	BN-005-06	Needle Bearing - Torrington NTA-1018.....	1
7	00-290832	Pivot - Tension Adjusting.....	2
8	00-120971	Plug - Vent.....	1
9	00-875137	Gear Case Assy. (Incls. Items 8 & 33).....	1
10	SC-041-31	Cap Screw 3/8-16 x 1-1/4 Hex Hd. (SST).....	3
11	WL-019-85	Lockwasher.....	3
12	WS-021-20	Washer (Nylon).....	1
13	SC-036-93	Cap Screw 7/16-20 x 3/4 Hex Hd.....	1
14	NS-046-29	Lock Nut 3/4-16 Flexlox.....	1
15	SL-005-02	Spring - Loading.....	1
16	00-290866	Washer - Damper.....	1
17	SL-005-02	Spring - Loading.....	1
18	00-875043	Pinion - Drive.....	1
19	00-109070-00008	Key.....	1
20	SL-005-02	Spring - Loading.....	2
21	00-290866	Washer - Damper.....	1
22	SC-027-29	Mach. Screw 8-32 x 3/8 Slotted Rd. Hd. (Brass).....	AR
23	WL-010-01	Lockwasher #8 External Shakeproof.....	AR
24	NS-010-11	Nut 8-32 Hex (Brass).....	AR
25	SC-040-21	Cap Screw 3/8-16 x 7/8 Hex Socket Hd.....	4
26	WL-006-28	Lockwasher 3/8 Helical.....	4
27	SD-038-03	Self-Tapping Screw 10-16 x 3/4 Truss Hd.....	4
28	00-479134	End Cap.....	1
29	00-437301-00001	Motor (60 Hz.) (3 Ph.).....	1
30	00-437301-00003	Motor (50 Hz.) (3 Ph.).....	1
31	00-479005	Motor (1 Ph.).....	1
32	00-873986	Screw Shoulder.....	2
33	00-291859-00002	Bushing 3/8 Lg.....	2
34	SC-040-21	Cap Screw 3/8-16 x 7/8 Hex Socket Hd.....	5
35	WS-018-04	Washer (SST).....	5
36	PB-005-15	Plug Button.....	11
37	00-875670	Knob - Tension Adjust.....	1
38	BB-021-45	Bearing - Thrust 0.6371.....	1
39	00-916957-00069	Label, Warning, Moving Parts (Tri-Lingual) (ML-141220).....	1
40	00-875114-00001	Motor & Pinion Assy. (60 Hz.) (3 Ph.) (Incls. Items 14 thru 21 & 29).....	1
41	00-875114-00003	Motor & Pinion Assy. (60 Hz.) (1 Ph.) (Incls. Items 14 thru 21 & 31).....	1

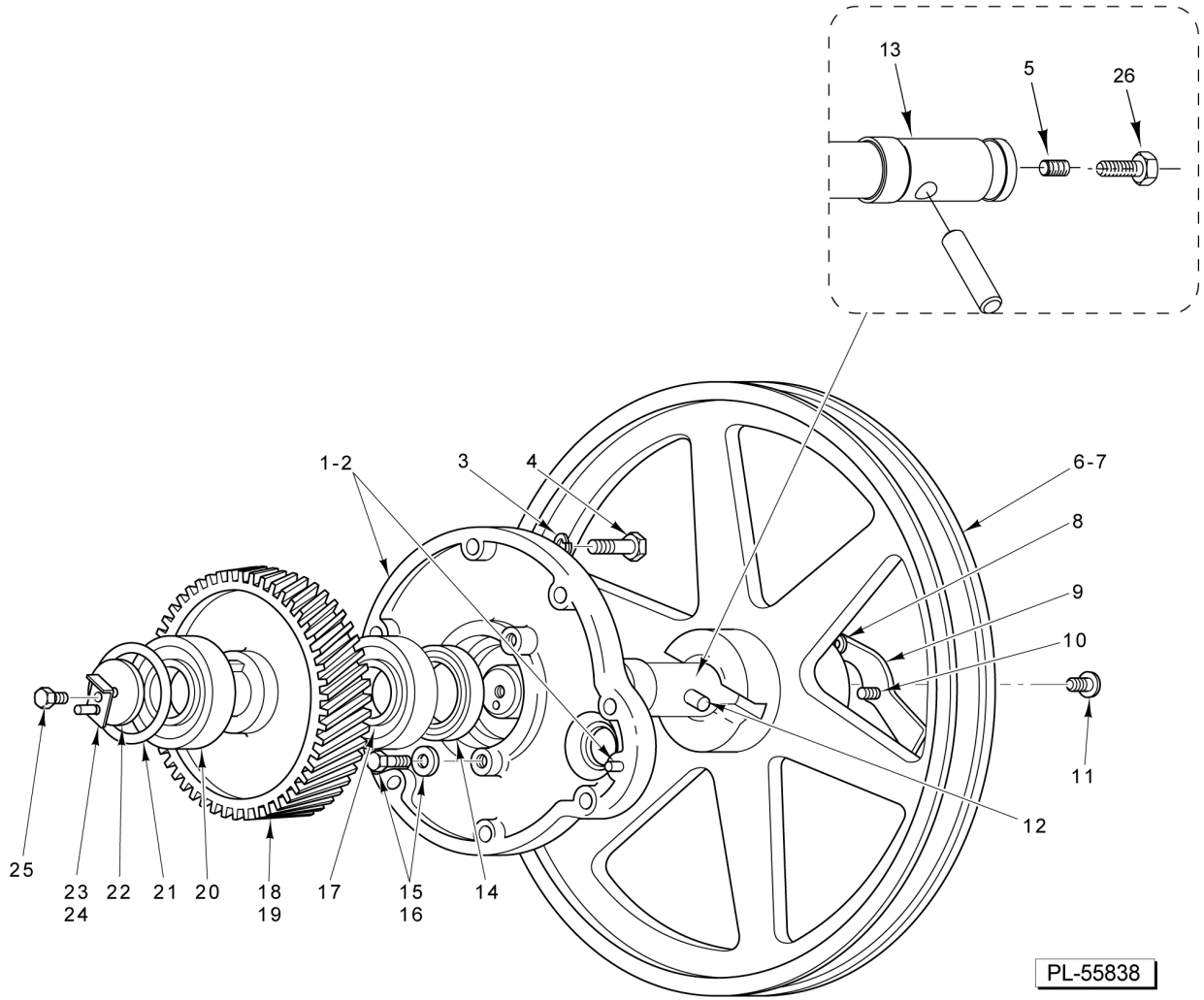


**DRIVE AND TENSION ADJUSTMENT UNIT(MODEL 6801)**



**DRIVE AND TENSION ADJUSTMENT UNIT(MODEL 6801)**

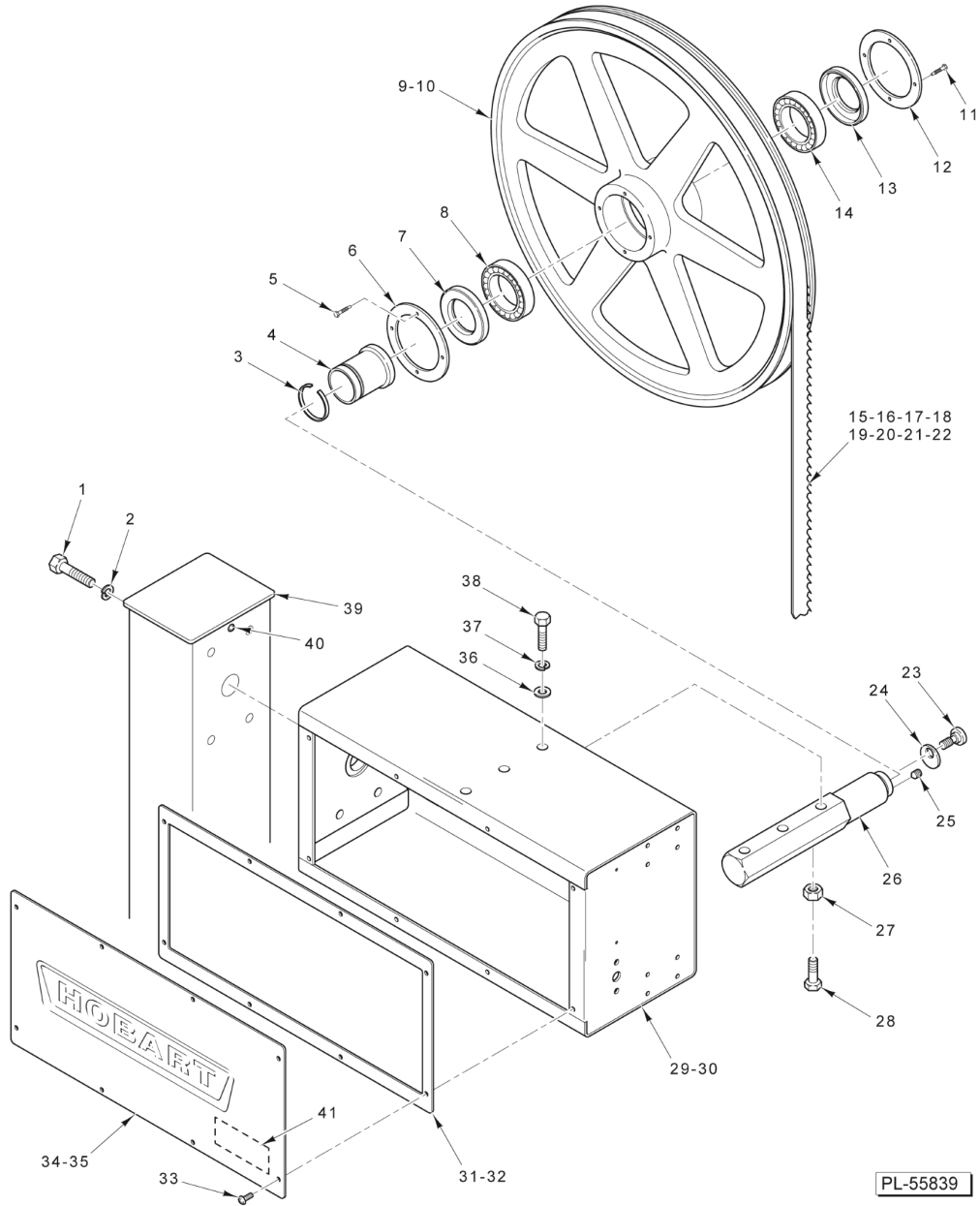
ILLUS.	PART NO.	NAME OF PART	AMT.
PL-55836			
1	00-873696-00001	Column & Label Assy.....	1
2	00-292286-00002	Transmission Support Assy. (Incls. Item 3).....	1
3	00-011800-00118	Dowel.....	1
4	00-290832	Pivot - Tension Adjusting.....	2
5	RP-002-07	Roll Pin 3/16 x 1 1/4 Lg. (SST).....	1
6	00-875670	Knob - Tension Adjust.....	1
7	00-873500	Tensioner Assy. (Incls. Items 5, 6, 8, & 37).....	1
8	BN-005-06	Needle Bearing - Torrington NTA-1018.....	1
9	00-290832	Pivot - Tension Adjusting.....	2
10	00-291859-00001	Bushing 1/2 Lg.....	1
11	00-120971	Plug - Vent.....	1
12	00-875137	Gear Case Assy.....	1
13	SC-041-31	Cap Screw 3/8-16 x 1-1/4 Hex Hd. (SST).....	3
14	WL-019-85	Lockwasher.....	3
15	WS-021-20	Washer (Nylon).....	1
16	SC-036-93	Cap Screw 7/16-20 x 3/4 Hex Hd.....	1
17	NS-046-29	Lock Nut 3/4-16 Flexlox.....	1
18	SL-005-02	Spring - Loading.....	1
19	00-290866	Washer - Damper.....	1
20	00-875043	Pinion - Drive (16T).....	1
21	00-109070-00008	Key.....	1
22	SL-005-02	Spring - Loading.....	6
23	SC-027-29	Mach. Screw 8-32 x 3/8 Slotted Rd. Hd. (Brass).....	AR
24	WL-010-01	Lockwasher #8 External Shakeproof.....	AR
25	NS-010-11	Nut 8-32 Hex (Brass).....	AR
26	SC-040-21	Cap Screw 3/8-16 x 7/8 Hex Socket Hd.....	4
27	WL-006-28	Lockwasher 3/8 Helical.....	4
28	SD-038-03	Self-Tapping Screw 10-16 x 3/4 Truss Hd.....	2
29	00-479134	End Cap.....	1
30	00-437301-00001	Motor (60 Hz.) (3 Ph.).....	1
31	00-437301-00003	Motor (50 Hz.) (3 Ph.).....	1
32	00-479005	Motor (1 Ph.).....	1
33	00-873986	Screw Shoulder.....	1
34	00-291859-00002	Bushing 1/2 Lg.....	2
35	SC-040-21	Cap Screw 3/8-16 x 7/8 Hex Socket Hd.....	5
36	WS-018-04	Washer (SST).....	5
37	PB-005-15	Plug Button.....	13
38	BB-021-45	Bearing - Thrust 0.6371.....	1



**LOWER PULLEY UNIT**

### LOWER PULLEY UNIT

ILLUS. PL-55838	PART NO.	NAME OF PART	AMT.
1	00-290817-00002	Gear Case Cover Assy. (Incls. Item 2).....	1
2	00-011800-00091	Dowel.....	2
3	WL-006-22	Lockwasher 5/16 Light.....	7
4	SC-041-15	Cap Screw 5/16-18 x 1 1/4 Hex Hd.....	7
5	SC-119-20	Set Screw 1/4-20 x 1/2 Soc. Hdls., Flat Pt.....	1
6	ML-134098-0000Z	Pulley and Latch Assy. (Incls. Items 8, 9, & 10) (Model 6614).....	1
7	ML-109653-0000Z	Pulley and Latch Assy. (Incls. Items 8, 9, & 10) (Model 6801).....	1
8	00-079686	Catch - Friction.....	1
9	00-875150	Latch.....	1
10	00-020851	Screw - Latch.....	1
11	SD-005-49	Self-Tapping Screw 12 x 1/2 Rd. Hd., Type U.....	1
12	00-436447	Drive Pin.....	1
13	00-968027	Shaft - Lower.....	1
14	00-290805	Seal - Shaft.....	1
15	SC-062-59	Cap Screw 5/16-18 x 5/8 Hex Hd.....	3
16	WS-018-19	Washer.....	3
17	BB-007-21	Ball Bearing.....	1
18	00-875044-00002	Gear - Drive (56T).....	1
19	00-109070-00009	Key.....	1
20	BB-007-21	Ball Bearing.....	1
21	SL-003-11	Spring - Loading ND 72.....	2
22	00-291973-00002	Retainer - Shaft.....	1
23	00-291624	Retainer - Lock.....	1
24	RP-003-18	Roll Pin 1/8 x 7/8 Lg.....	1
25	SC-041-13	Cap Screw 5/16-18 x 2.....	1
26	SC-041-30	Cap Screw 3/8-16 x 1 Hex Hd. (SST).....	1



### UPPER BEARING CARRIER UNIT

## UPPER BEARING CARRIER UNIT

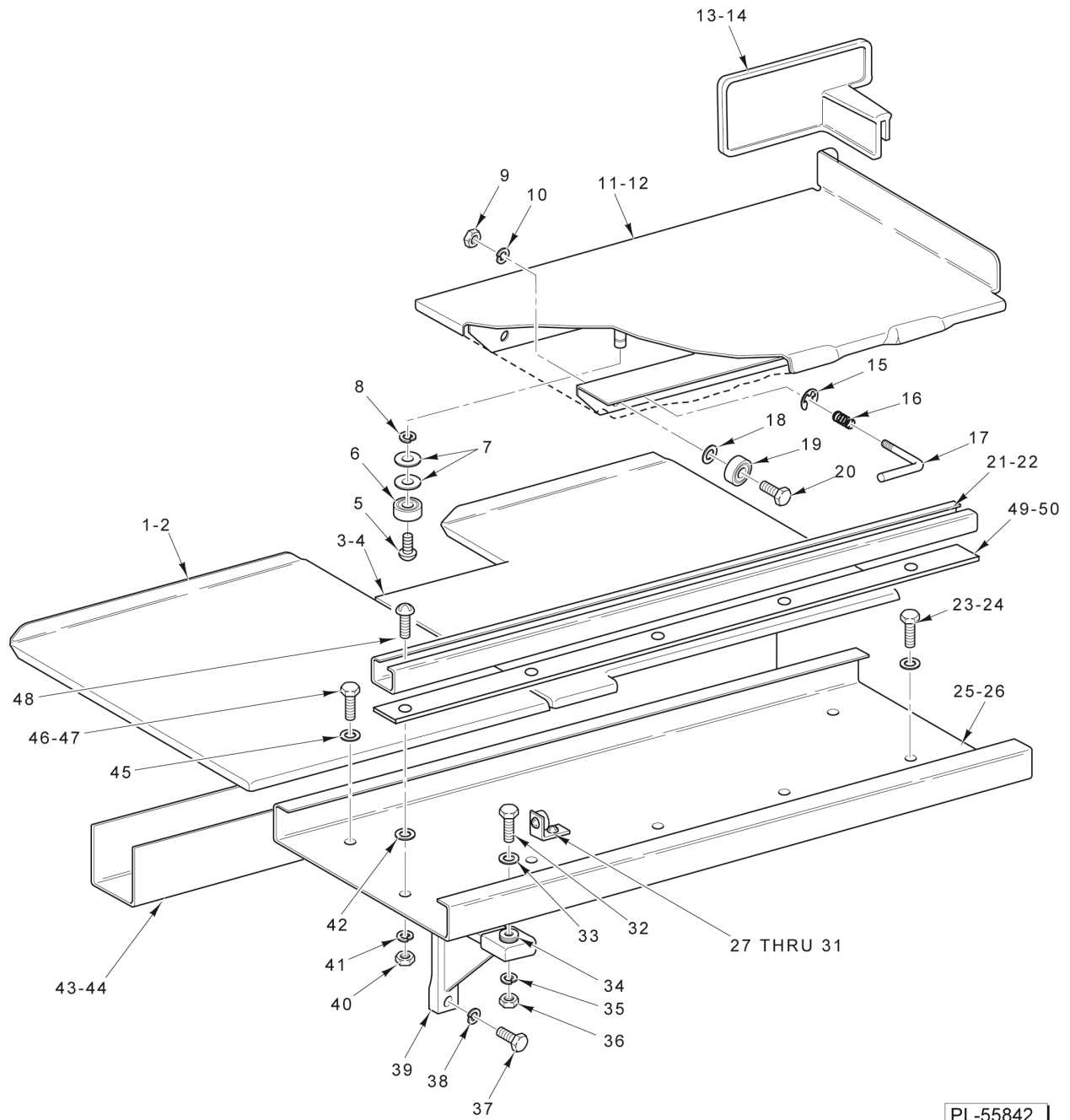
ILLUS. PL-55839	PART NO.	NAME OF PART	AMT.
1	SC-040-21	Cap Screw 3/8-16 x 7/8 Hex Socket Hd.....	4
2	WL-006-28	Lockwasher 3/8 Helical.....	4
3	RR-004-13	Retaining Ring (Truarc).....	1
4	00-479143	Bushing - Pulley.....	1
5	SC-067-06	Mach. Screw 10-24 x 1/2 Hex Hd.....	4
6	00-873461-00002	Cover - Rear Pulley.....	1
7	00-873501	Seal - Shaft.....	1
8	BB-015-36	Ball Bearing - NSK 6007 DDUCE1SRIS.....	1
9	ML-134048-0000Z	Pulley Assy. - Upper (Incls. Items 3 thru 8, & 11 thru 14) (Model 6614).....	1
10	ML-104999-0000Z	Pulley Assy. - Upper (Incls. Items 3 thru 8, & 11 thru 14) (Model 6801).....	1
11	SC-067-06	Mach. Screw 10-24 x 1/2 Hex Hd.....	4
12	00-873461-00001	Cover - Front Pulley.....	1
13	00-873502	Seal - Shaft.....	1
14	BB-015-36	Ball Bearing - NSK 6007 DDUCE1SRIS.....	1
15	00-477011-00126	Blade - Saw (5/8 In. Wd. x 0.022 Thk.) (3T) (Model 6614).....	1
16	00-477016-00126	Blade - Saw (5/8 In. Wd. x 0.022 Thk.) (4T) (Model 6614).....	1
17	00-477086-00126	Blade - Saw (5/8 In. Wd. x 0.025 Thk.) (Scalloped) (Model 6614).....	1
18	00-477011-00142	Blade - Saw (5/8 In. Wd. x 0.022 Thk.) (3T) (Model 6801).....	1
19	00-477016-00142	Blade - Saw (5/8 In. Wd. x 0.022 Thk.) (4T) (Model 6801).....	1
20	00-477086-00142	Blade - Saw (5/8 In. Wd. x 0.025 Thk.) (Scalloped) (Model 6801).....	1
21	00-290868-00001	Blade - Saw (5/8 In. Wd. x 0.022 Thk.) (4T) (Model 6801).....	1
22	00-875188-00001	Blade - Saw (5/8 In. Wd. x 0.022 Thk.) (4T) (Model 6614).....	1
23	00-020851	Screw - Latch.....	1
24	00-479142	Retainer - Pulley.....	1
25	00-079686	Catch - Friction.....	1
26	00-479144	Shaft - Upper.....	1
27	NS-018-14	Jam Nut 3/8-16 Hex.....	2
28	SC-127-03	Cap Screw - 3/8-16 x 1 3/4 Hex Hd.....	2
29	00-875072	Box Column Assy. (Model 6614).....	1
30	00-875227	Box Column Assy. (60 Hz.) (Model 6801).....	1
31	00-875080	Gasket - Column Box (Model 6614).....	1
32	00-873820	Gasket - Column Box (Model 6801).....	1
33	SC-025-33	Mach. Screw 8-32 x 1/2 Bndg. Hd.....	8
*34	00-875077	Cover - Column Box (Model 6614).....	1
**	00-968040	Cover - Column Box (Model 6614).....	1
***	00-968040-00002	Cover - Column Box (Model 6614).....	1
*35	00-479672	Cover - Column Box (60 Hz.) (Model 6801).....	1
**	00-968041	Cover - Column Box (Model 6801).....	1
****	00-968041-00002	Cover - Column Box (Model 6801).....	1
36	WS-018-40	Washer.....	3
37	WL-006-27	Lockwasher 3/8 Helical (SST).....	3
38	SC-041-31	Cap Screw 3/8-16 x 1-1/4 Hex Hd. (SST).....	3
39	00-479134	End Cap.....	1
40	SD-038-03	Self-Tapping Screw 10-16 x 3/4 Truss Hd.....	2
41	00-916957-00070	Label, Warning, Moving Parts (French, Spanish).....	1

\* Before Manufacturer Date 10/18/13

\*\* After Manufacturer Date 10/18/13

\*\*\* Starting S/N 311614476

\*\*\*\* Starting S/N 311613661

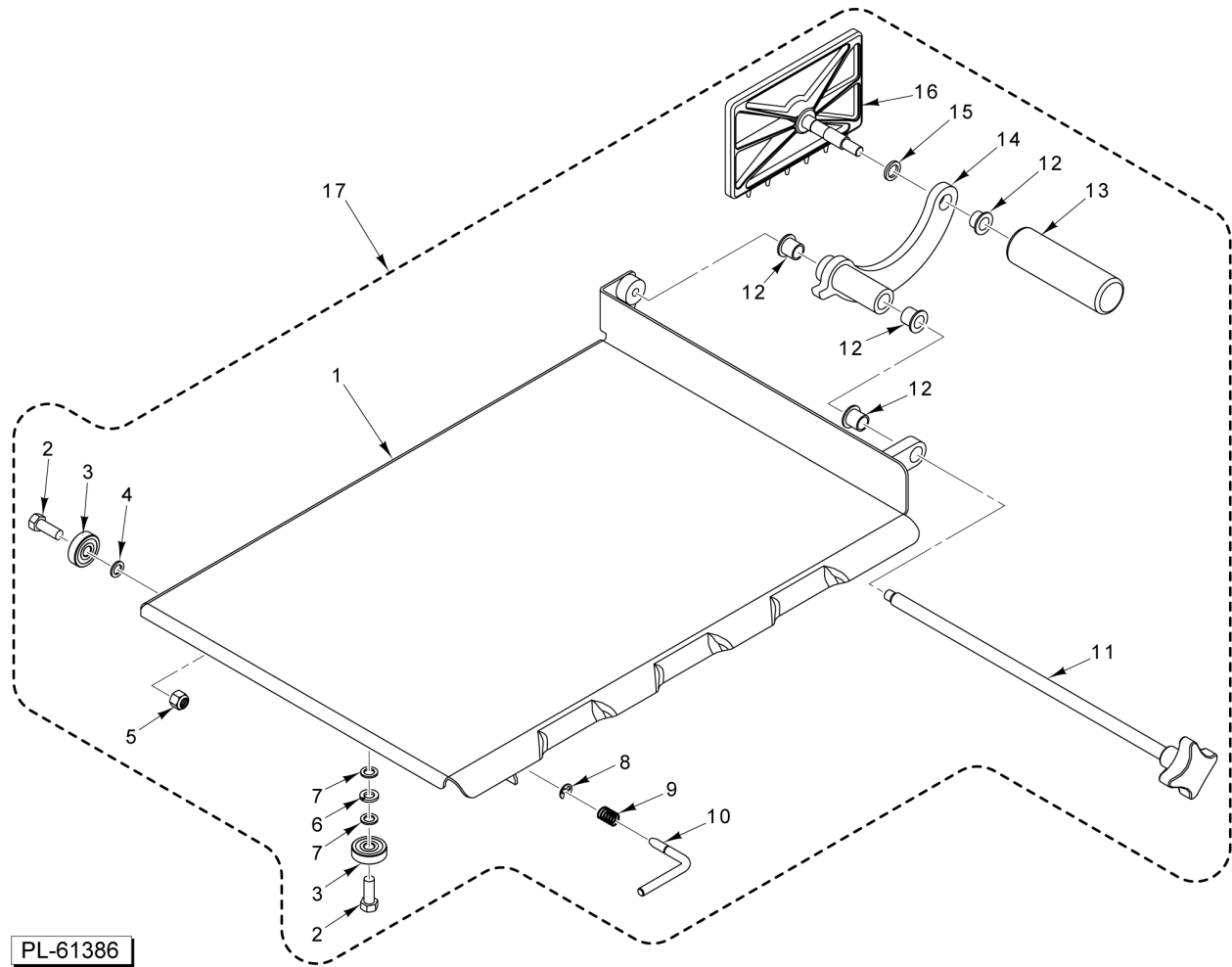


PL-55842

### TABLES AND CARRIAGE UNIT

## TABLES AND CARRIAGE UNIT

ILLUS. PL-55842	PART NO.	NAME OF PART	AMT.
1	00-290771	Table - Left Assy. (Model 6801).....	1
2	00-875066	Table - Left Assy. (Model 6614).....	1
3	00-291654	Table - Right Assy. (Model 6801).....	1
4	00-875068	Table - Right Assy. (Model 6614).....	1
5	SC-041-30	Cap Screw 3/8-16 x 1 Hex Hd. (SST).....	2
6	BB-008-11	Ball Bearing - Nice #SK-T 4725.....	2
7	WS-018-30	Washer (SST).....	4
8	WL-006-28	Lockwasher 3/8 Helical.....	2
9	NS-046-09	Stop Nut 3/8-16 Elastic.....	4
10	WL-006-27	Lockwasher 3/8 Helical (SST).....	4
11	00-437469	Carriage Assy. (Incls. Items 5 thru 10 & 15 thru 20) (Model 6801).....	1
12	00-875136	Carriage Assy. (Incls. Items 5 thru 10 & 15 thru 20) (Model 6614).....	1
13	00-291435	Pusher Plate (Gray).....	1
14	00-291435-00002	Pusher Plate (Yellow).....	1
15	RR-011-09	Retaining Ring.....	1
16	00-290787	Spring - Carriage Lock.....	1
17	00-290795	Lever - Carriage Lock.....	1
18	WS-018-34	Washer (Model 6801).....	4
19	BB-008-11	Ball Bearing - Nice #SK-T 4725.....	4
20	SC-041-30	Cap Screw 3/8-16 x 1 Hex Hd.....	4
21	00-437476	Guide - Roller (Model 6801).....	1
22	00-875089	Guide - Roller (Model 6614).....	1
23	SC-041-29	Cap Screw 3/8-16 x 7/8 Hex Hd. (SST) (Model 6614).....	2
24	WS-018-40	Washer (Model 6614).....	2
25	00-873798	Support - Carriage (Model 6801).....	1
26	00-875091	Support - Carriage (Model 6614).....	1
27	00-479107	Stop - Carriage.....	2
28	SC-124-44	Bolt - Sq. Neck 5/16-18 x 3/4 Rd. Hd.....	2
29	NS-036-19	Stop Nut 5/16-18 Elastic.....	2
30	00-873789	Bumper - Carriage Stop.....	2
31	WL-006-23	Lockwasher 5/16 Helical (SST).....	2
32	SC-041-33	Cap Screw 3/8-16 x 1-3/4 Hex Hd. (SST) (Model 6801).....	2
33	WS-018-40	Washer (Model 6801).....	2
34	00-292284	Screw - Jack (Model 6801).....	2
35	WL-006-27	Lockwasher 3/8 Light (Model 6801).....	2
36	NS-018-14	Jam Nut 3/8-16 Hex (Model 6801).....	2
37	SC-041-31	Cap Screw 3/8-16 x 1 1/4 Hex Hd. (Model 6801).....	2
38	WL-006-27	Lockwasher 3/8 Light (Model 6801).....	2
39	00-291958-00002	Brace - Carriage Support (Model 6801).....	2
40	NS-015-11	Nut 5/16-18 Hex (SST).....	5
41	WL-006-23	Lockwasher 5/16 Helical (SST).....	5
42	WS-017-21	Washer.....	5
43	00-290790	Tray - Scrap (Model 6801).....	1
44	00-875065	Tray - Scrap (Model 6614).....	1
45	WS-018-40	Washer (SST).....	2
46	SC-041-29	Cap Screw 3/8-16 x 7/8 Hex Hd. (SST) (Model 6801).....	2
47	SC-041-34	Cap Screw 3/8-16 x 2 Hex Hd. (SST) (Model 6614).....	2
48	SC-124-44	Bolt - Sq. Neck 5/16-18 x 3/4 Rd. Hd.....	5
49	00-946745	Gasket - Guide (Model 6614).....	1
50	00-946746	Gasket, Guide Bar.....	1

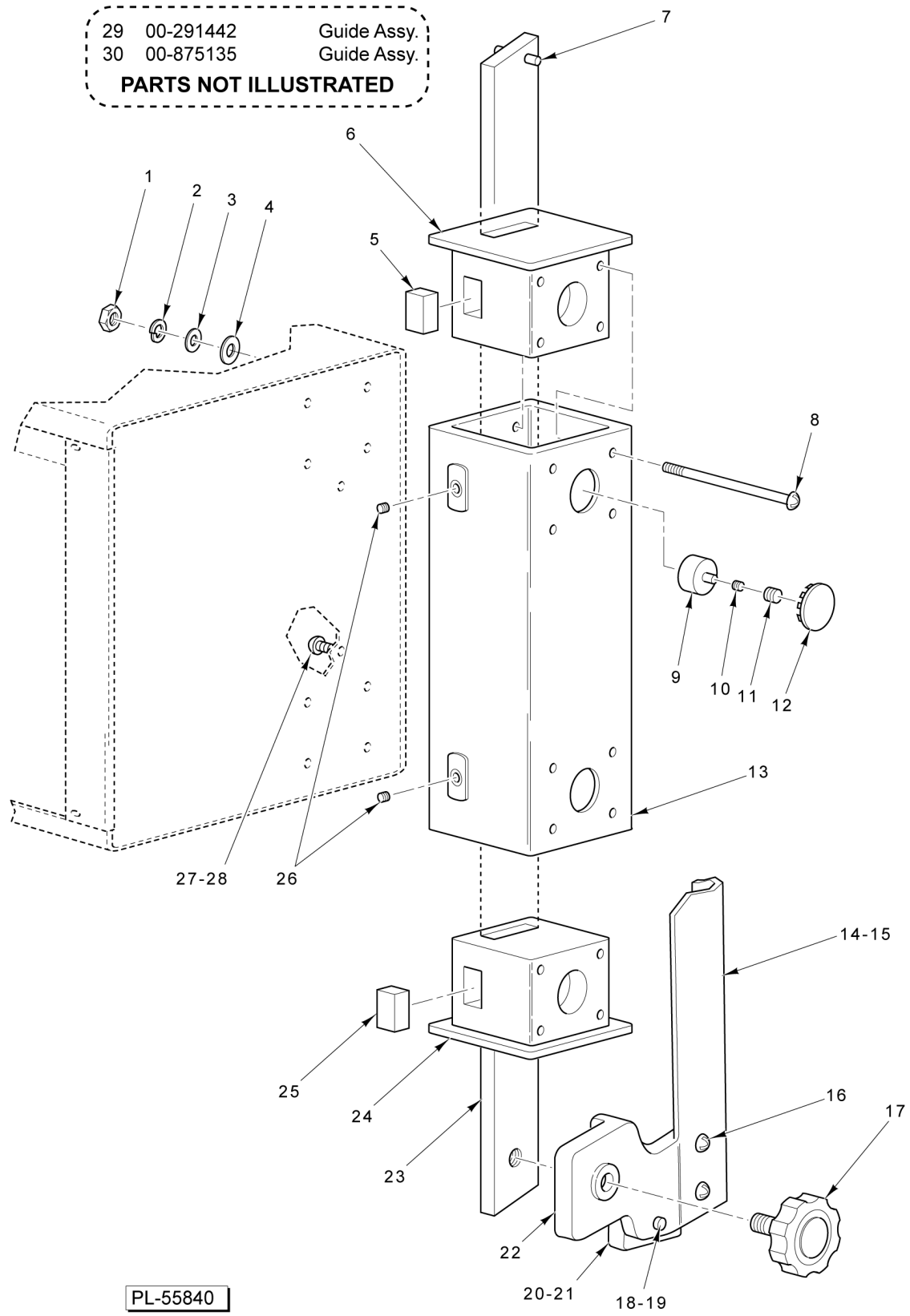


**CARRIAGE ASSEMBLY  
(INTEGRATED PUSHER-EQUIPPED)**



**CARRIAGE ASSEMBLY  
(INTEGRATED PUSHER-EQUIPPED)**

ILLUS.	PART NO.	NAME OF PART	AMT.
PL-61386			
1	00-938346	Carriage Weldment (6801).....	1
	00-938827	Carriage Weldment (6614).....	1
2	SC-041-30	Cap Screw 3/8-16 x 1 Hex Hd. (SST).....	6
3	BB-008-11	Ball Bearing - Nice #8220-TN.....	6
4	WS-018-34	Washer - Shim .010 THK. (SST).....	4
5	NS-046-09	Stop Nut 3/8-16 (SST).....	4
6	WL-006-28	Lockwasher 3/8 Helical.....	2
7	WS-018-30	Washer (SST).....	4
8	RR-011-09	Retaining Ring.....	1
9	00-290787	Spring - Carriage Lock.....	1
10	00-290795	Lever - Carriage Lock.....	1
11	00-938343	Slide Rod (6801).....	1
	00-938518	Slide Rod (6614).....	1
12	00-938353	Bushing, Pusher Handle.....	4
13	00-938352	Weight, Pusher.....	1
14	00-938401	Bracket, Pusher Handle.....	1
15	WS-021-21	Washer 0.500 x 0.750 x 0.093 (Nylon).....	1
16	00-915257-00002	Grip - Product Feed.....	1
17	00-938505	Carriage Assy. (Incls. 1 thru 16) (6801).....	1
	00-938825	Carriage Assy. (Incls. 1 thru 16) (6614).....	1



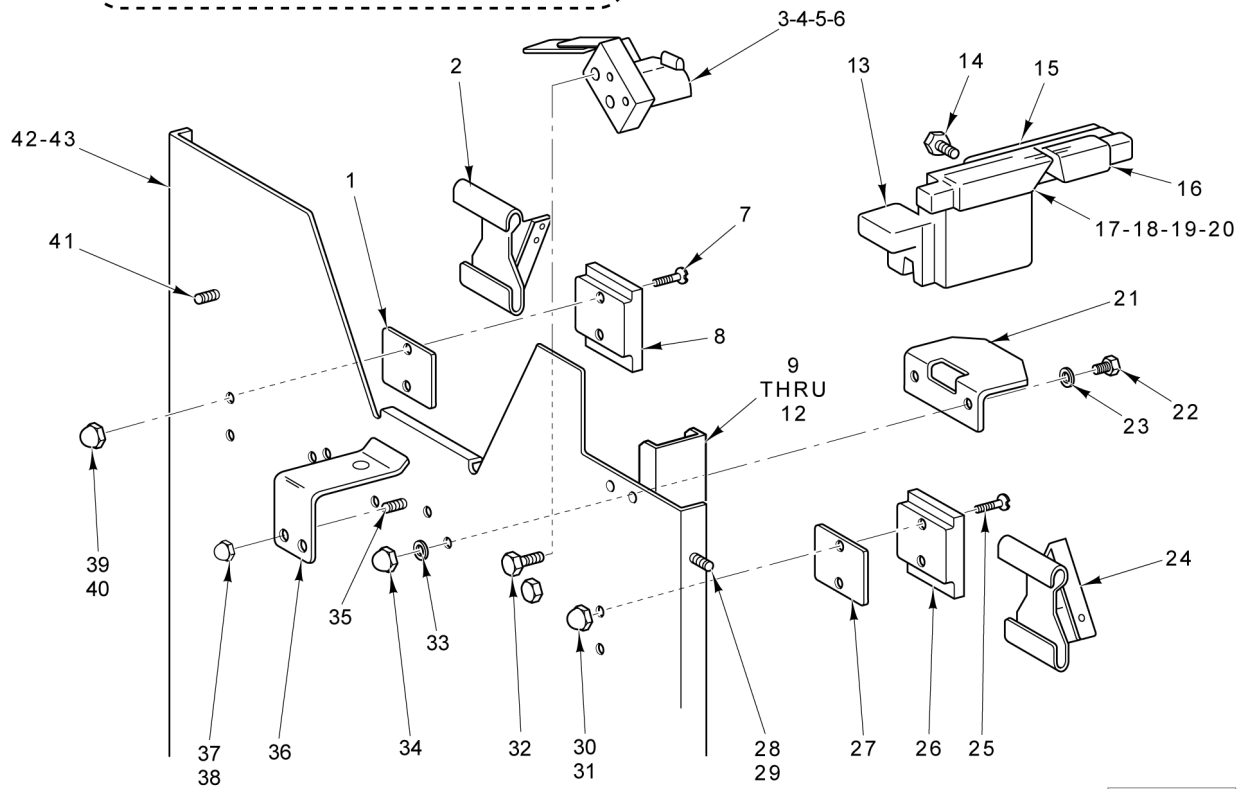
PL-55840

**UPPER GUIDE UNIT**

## UPPER GUIDE UNIT

ILLUS.	PART NO.	NAME OF PART	AMT.
PL-55840			
1	NS-011-12	Nut 8-32 Hex.....	8
2	WL-014-05	Lockwasher #8 External Shakeproof (SST).....	8
3	WS-023-22	Washer (SST).....	8
4	WS-031-35	Washer (Rubber).....	8
5	00-479766	Slide Lock.....	1
6	00-478999	Guide Bar Insert.....	1
7	PG-007-16	Groove Pin 3/16 Dia. x 3/4 Lg.....	1
8	SC-021-17	Mach. Screw 8-32 x 2 1/2 Slotted Rd. Hd. (SST).....	8
9	00-120141	Shoe - Slide Rod.....	2
10	00-873782	Spring - Slide Rod.....	2
11	SC-046-70	Set Screw 3/8-16 x 1/2 Slotted Hdls., Cup Pt.....	2
12	PB-005-09	Plug Button.....	2
13	00-478998	Support - Guide Bar.....	1
14	00-875056	Guard - Front Blade (Model 6614).....	1
15	00-291441	Guard - Front Blade (Model 6801).....	1
16	SC-120-76	Cap Screw 10-24 x 1/2 Hex Hd. (SST).....	2
17	00-435958-00002	Knob - Adjusting.....	1
18	SC-041-02	Cap Screw 1/4-20 x 1 Hex Hd. (Lower Guide).....	1
19	00-291579	Washer - Guide.....	1
20	00-290844-00001	Guide - Saw Blade (0.022 Blade).....	1
21	00-290844-00002	Guide - Saw Blade (0.014 Blade).....	1
22	00-290842	Holder - Upper Guide.....	1
23	00-873204	Upper Guide Support Bar Assy (Incls. Item 7).....	1
24	00-478999	Guide Bar Insert.....	1
25	00-479766	Slide Lock.....	1
26	SC-055-01	Set Screw 10-24 x 1/4 Hex Hdls., Cup Pt. (SST).....	2
27	SC-025-33	Mach. Screw 8-32 x 1/2 Bndg. Hd.....	2
28	NS-011-12	Nut 8-32 Hex.....	2
29	00-291442	Guide Assy. - Upper (Incls. Items 15, 16, & 22) (Model 6801).....	1
30	00-875135	Guide Assy. - Upper (Incls. Items 14, 16, & 22) (Model 6614).....	1

- |    |                 |                      |
|----|-----------------|----------------------|
| 44 | 00-291672-00001 | Holder & Guide Assy. |
| 45 | 00-291672-00002 | Holder & Guide Assy. |
| 46 | 00-291672-00003 | Holder & Guide Assy. |
| 47 | 00-291672-00004 | Holder & Guide Assy. |
- PARTS NOT ILLUSTRATED**

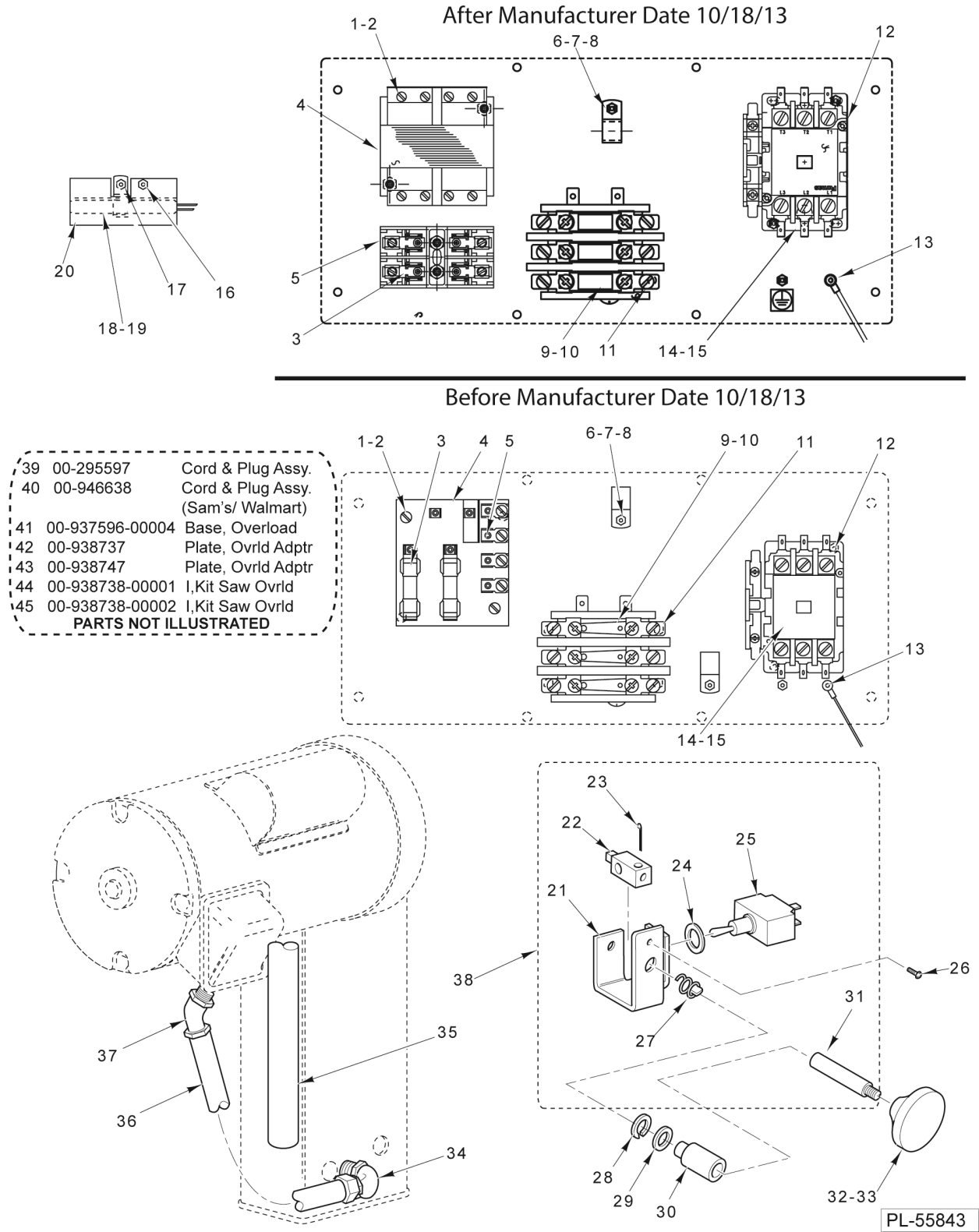


PL-55841

**LOWER WIPER UNIT**

## LOWER WIPER UNIT

ILLUS. PL-55841	PART NO.	NAME OF PART	AMT.
1	00-290855	Shim - Wiper Support.....	AR
2	00-290798	Blade Wiper Assy.....	1
3	00-291831	Block - Pulley Wiper.....	1
4	00-102399	Pulley Wiper Assy. (Incls. Items 5 & 6).....	1
5	00-123886	Wiper - Pulley.....	1
6	SC-053-01	Mach. Screw 10-24 x 1/4 Slotted Truss Hd. (SST).....	2
7	SC-022-34	Mach. Screw 1/4-20 x 7/8 Slotted Flat Hd. (SST).....	2
8	00-290822	Support - Wiper.....	1
9	00-291809	Shield - Blade Guide.....	1
10	SC-041-86	Cap Screw 1/4-20 x 3/8 Hex Hd. (SST).....	2
11	WS-003-49	Washer 0.266 x 0.563 x 0.062 (SST).....	2
12	NS-025-04	Crown Nut 1/4-20 (SST).....	2
13	00-875234-00002	Holder - Lower Guide.....	1
14	SC-116-26	Cap Screw 1/4-28 x 7/8 Hex Hd.....	2
15	00-875235	Cover - Guide.....	1
16	00-291658	Guide - Plastic.....	1
17	00-291670-00001	Guide - Saw Blade (0.022 Blade).....	1
18	00-291670-00002	Guide - Saw Blade (0.014 Blade).....	1
19	00-291670-00003	Guide - Saw Blade (0.038 Blade).....	1
20	00-291670-00004	Guide - Saw Blade (0.020 Blade).....	1
21	00-875246	Support.....	1
22	SC-041-50	Cap Screw 1/4-20 x 1/2 Hex Hd. (SST).....	2
23	WS-003-49	Washer 0.266 x 0.563 x 0.062 (SST).....	AR
24	00-290798	Blade Wiper Assy.....	1
25	SC-022-34	Mach. Screw 1/4-20 x 7/8 Slotted Flat Hd. (SST).....	2
26	00-290822	Support - Wiper.....	1
27	00-290855	Shim - Wiper Support.....	AR
28	SC-041-50	Cap Screw 1/4-20 x 1/2 Hex Hd. (SST).....	2
29	WS-003-49	Washer 0.266 x 0.563 x 0.062 (SST).....	2
30	NS-025-04	Crown Nut 1/4-20 (SST).....	2
31	WS-003-49	Washer 0.266 x 0.563 x 0.062 (SST).....	2
32	SC-041-86	Cap Screw 1/4-20 x 3/8 Hex Hd. (SST).....	2
33	WL-006-17	Lockwasher 1/4 Helical (SST).....	2
34	NS-025-04	Crown Nut 1/4-20 (SST).....	2
35	SC-025-07	Mach. Screw 10-24 x 5/16 Slotted Bndg. Hd. (SST).....	2
36	00-290788	Clip - Cover.....	1
37	NS-025-01	Crown Nut 10-24 (SST).....	2
38	WL-006-06	Lockwasher #10 Helical (SST).....	2
39	NS-025-04	Crown Nut 1/4-20 (SST).....	2
40	WS-003-49	Washer 0.266 x 0.563 x 0.062 (SST).....	2
41	SC-041-50	Cap Screw 1/4-20 x 1/2 Hex Hd. (SST).....	2
42	00-875082	Baffle - Lower Pulley (Model 6614).....	2
43	00-290851-00002	Baffle - Lower Pulley (Model 6801).....	1
44	00-291672-00001	Holder & Guide Assy. (Incls. Items 13 thru 17).....	1
45	00-291672-00002	Holder & Guide Assy. (Incls. Items 13 thru 16 & 18).....	1
46	00-291672-00003	Holder & Guide Assy. (Incls. Items 13 thru 16 & 19).....	1
47	00-291672-00004	Holder & Guide Assy. (Incls. Items 13 thru 16 & 20).....	1



**ELECTRICAL UNIT**

## ELECTRICAL UNIT

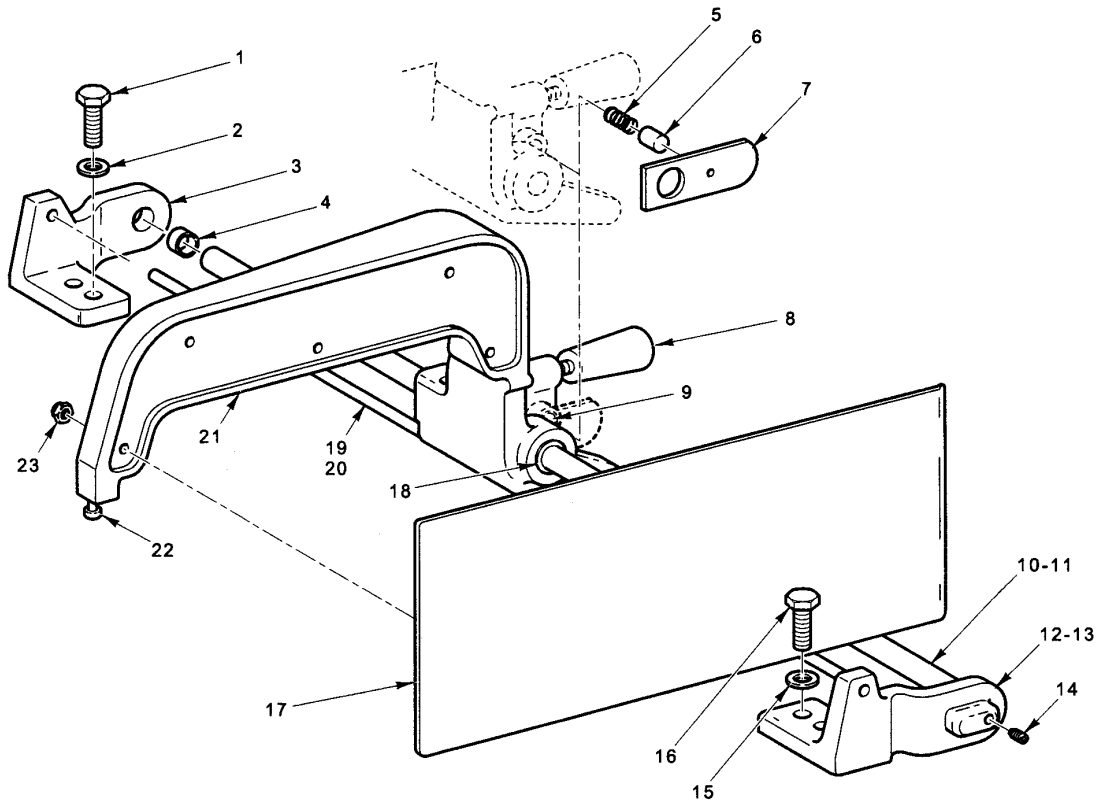
ILLUS.	PART NO.	NAME OF PART	AMT.
PL-55843			
1	SC-025-33	Mach. Screw 8-32 x 1/2 Bndg. Hd.....	2
2	NS-048-85	Nut Assy. 8-32.....	2
3	FE-019-48	Fuse (0.8 Amp., 600 V.).....	2
	FE-016-29	Fuse (1 Amp 600V.) (380/415V.).....	AR
*4	00-120907-00001	Transformer.....	1
**	00-916905-00005	Transformer.....	2
*	00-120908-00001	Transformer (380 / 415 V.).....	AR
**	00-294500-030-1	Transformer (380/415V.).....	AR
*5	00-114707	Terminals & Mounting Board Assy. Fuse Board.....	1
**	00-968042	Fuse Block Fuse Board.....	2
6	NS-011-12	Nut 8-32 Hex.....	3
7	WS-023-22	Washer (SST).....	3
8	00-078752-00009	Clamp - Cable.....	3
***9		Heater - Element (Overload Relay) - NLA - (Model 6614) .....	AR
****		Heater - Element (Overload Relay) - NLA - (Model 6801) .....	AR
***10		Relay - Thermal Overload (3 Ph.) - NLA - (Model 6614) .....	AR
****		Relay - Thermal Overload (3 Ph.) - NLA - (Model 6801) .....	AR
11	SD-015-20	Self-Tapping Screw 10-32 x 3/8 Phil. Pan Hd., Type TT.....	2
12	SD-015-20	Self-Tapping Screw 10-32 x 3/8 Phil. Pan Hd., Type TT.....	2
13	00-290889	Cable & Eyelet Assy. (Panel to Column).....	1
14	00-087713-102-1	Contactory Assy. (3-Pole) (200-230 V. coil).....	1
15	00-087713-102-2	Contactory Assy. (3-Pole) (115 V. coil).....	1
16	SD-015-20	Self-Tapping Screw 10-32 x 3/8 Phil. Pan Hd., Type TT.....	2
17	00-108199-00001	Clamp - Air Heater.....	1
18	00-122345-00001	Heater Assy. (115V. Control Circuit).....	1
19	00-122345-00002	Heater Assy. (200-230 V. Control Circuit).....	1
20	00-121543	Shield - Heater.....	1
21	00-123241-00001	Bracket - Switch.....	1
22	00-873781	Actuator Switch.....	1
23	PC-005-08	Cotter Pin 3/32 x 5/8 Lg.....	1
24	00-121827	Ring - Locking.....	1
25	00-875567	Switch Assy.....	1
26	SC-053-05	Mach. Screw 10-24 x 5/8 Truss Hd.....	2
27	00-121547	Spring - Compression.....	1
28	00-875049	Retaining Ring.....	1
29	WS-018-30	Washer (SST).....	1
30	00-290883	Bushing - Switch Shaft.....	1
31	00-290882-00002	Shaft - Switch.....	1
32	00-291475	Label - Start/Stop.....	1
	00-938876	Label - Start/Stop (ML-141220).....	1
33	00-290885	Knob - Switch.....	1
34	FE-026-13	Connector 1/2 (Metallic) Sealtite.....	1
35	00-557247	Conduit - Electrical.....	1
36	00-543430	Conduit - Electrical.....	1
37	FE-026-13	Connector 1/2 (Metallic) Sealtite.....	1
38	00-873825	Switch and Bracket Includes items 21-25, 27, & 31 (Does not include 26, 28-30, 32, & 33).....	1
39	00-295597	Cord & Plug Assy (3 Phase).....	1

### ELECTRICAL UNIT

ILLUS.	PART NO.	NAME OF PART	AMT.
<b>PL-55843</b>			
40	00-946638	Cord & Plug Assy. (Sam's Club / Wal Mart).....	1
41	00-937596-00004	Base, Overload.....	1
*****42	00-938737	Plate, Overload Adapter (6614).....	1
*****4	00-938747	Plate, Overload Adapter (6801).....	1
3			1
44	00-938738-00001	I,Kit Saw Overload 6614 230V 3PH (Incls. Overload, Overload Base, Overload Adapter Plate, and Nuts).....	1
45	00-938738-00002	I,Kit Saw Overload 6801 230V 3PH (Incls. Overload, Overload Base, Overload Adapter Plate, and Nuts).....	1
* Before Manufacturer Date 10/18/13 ** After Manufacturer Date 10/18/13 *** Before S/N 311614476: order 00-938738-00001. After S/N 311614476: order 00-937596-003-01 **** Before S/N 311613661: order 00-938738-00002. After S/N 311613661: order 00-937596-003-01 ***** S/N 311614476 and below ***** S/N 311613661 and below			



## NOTES



PL-55844

### GAUGE PLATE UNIT

**GAUGE PLATE UNIT**

<b>ILLUS.</b>	<b>PART NO.</b>	<b>NAME OF PART</b>	<b>AMT.</b>
	<b>PL-55844</b>		
1	SC-041-31	Cap Screw 3/8-16 x 1-1/4 Hex Hd. (SST).....	2
2	WS-018-40	Washer (SST).....	2
3	00-873713-00002	Support - Rear Rod.....	1
4	00-479644	Bearing - Sleeve.....	2
5	00-291933	Spring - Gauge Plate Lock.....	1
6	00-291932	Pin - Locking Lever.....	1
7	00-290769	Lever - Locking.....	1
8	00-070194	Handle - Gauge Plate.....	1
9	00-110544-00010	Bushing - Gauge Plate Frame.....	1
10	00-290770-00003	Shaft - Gauge Plate (Model 6614).....	1
11	00-290770	Shaft - Gauge Plate (Model 6801).....	1
12	00-873712-00002	Front Shaft & Rod Support Assy. (Incls. Items 13 & 14).....	1
13	PG-006-11	Pin - Groove 1/4 x 5/8 Type D.....	1
14	SC-064-27	Set Screw 5/16-18 x 1/2 Soc. Hdls., Cup Pt. Nylok.....	1
15	WS-018-40	Washer (SST).....	2
16	SC-041-31	Cap Screw 3/8-16 x 1-1/4 Hex Hd. (SST).....	2
17	00-291431	Plate and Stud Assy.....	1
18	00-110544-00009	Bushing - Gauge Plate Frame.....	2
19	00-290758-00004	Rod - Table Anchor (Right Table) (Model 6614).....	1
20	00-290758-00002	Rod - Table Anchor (Right Table) (Model 6801).....	1
21	00-291944	Gauge Plate Assy. (Incls. Items 9, 17, 18, 22, & 23).....	1
22	00-290764	Button - Glide.....	1
23	NS-025-04	Crown Nut 1/4-20 (SST).....	5
	00-292347	Gauge Plate Assy. (Incls. Items 5, 6, 7, 17, 21, & 22) (Packaged).....	1

