



# CATALOG OF REPLACEMENT PARTS

## MODEL 6801 MEAT SAW

ML 104948

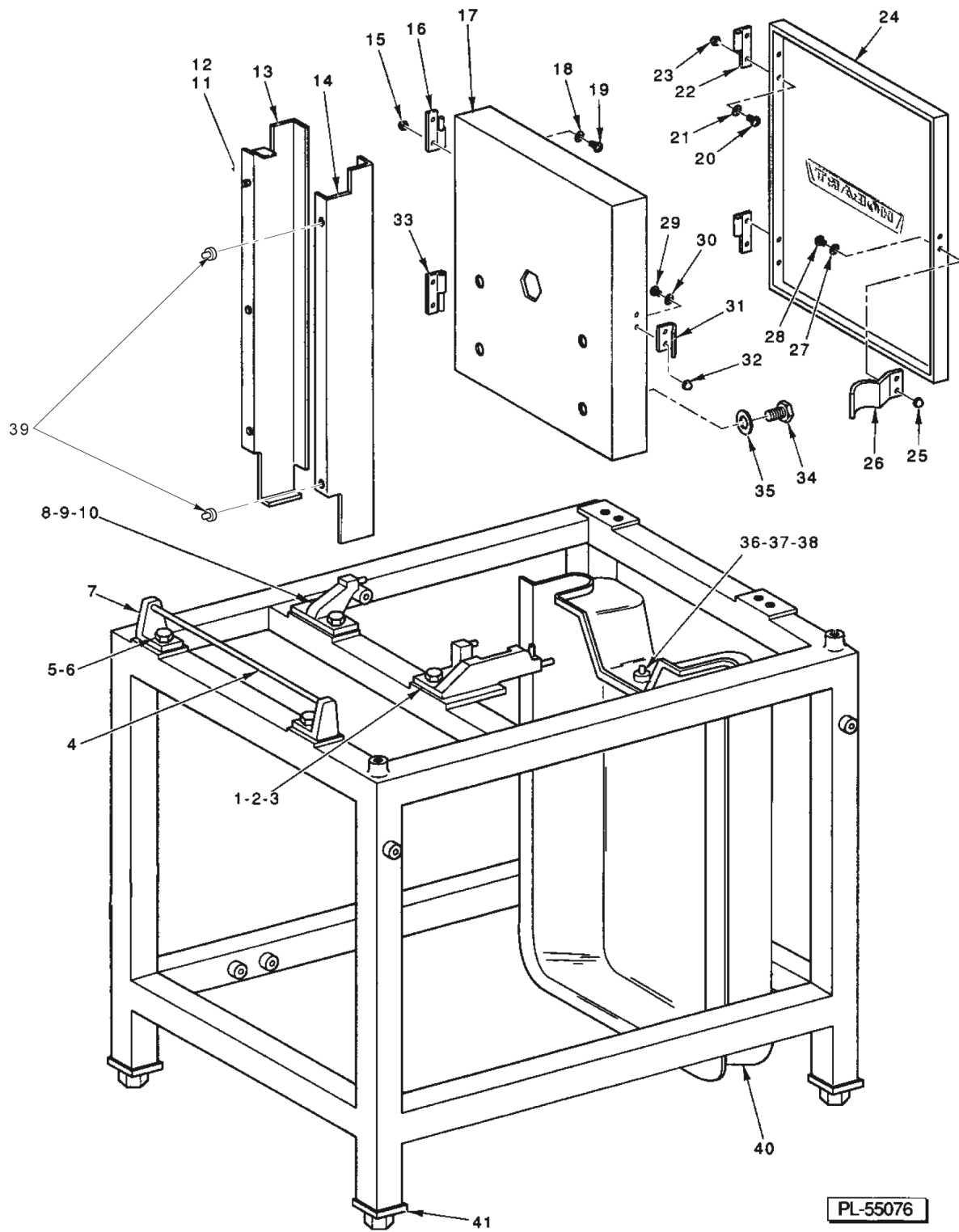
6801





**Table of Contents**

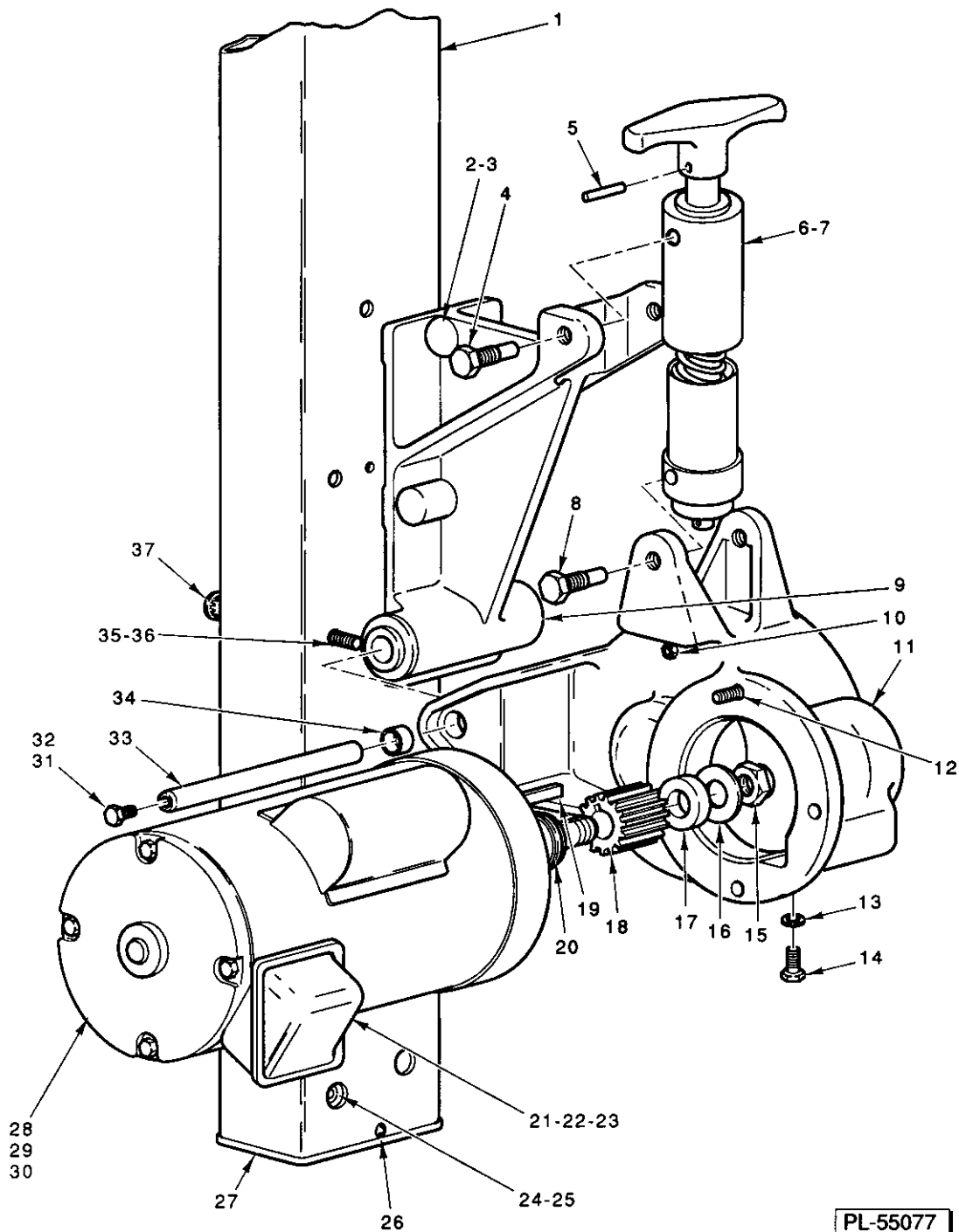
5	FRAME AND COVER
7	DRIVE AND TENSION ADJUSTMENT UNIT
9	LOWER PULLEY UNIT
11	UPPER BEARING CARRIER UNIT
13	TABLES AND CARRIAGE UNIT
15	UPPER GUIDE UNIT
17	LOWER WIPER UNIT
19	ELECTRICAL UNIT
21	GAUGE PLATE UNIT



**FRAME AND COVER**

**FRAME AND COVER**

ILLUS. PL-55076	PART NO.	NAME OF PART	AMT.
1	00-291653	Lower Guide Support & Pin Assy.....	1
2	SC-041-31	Cap Screw 3/8-16 x 1 1/4 Hex Hd.....	2
3	WS-018-40	Washer (SST).....	2
4	00-290758-1	Rod - Anchor (Left Table).....	1
5	SC-041-31	Cap Screw 3/8-16 x 1 1/4 Hex Hd.....	2
6	WS-018-40	Washer (SST).....	2
7	00-290751	Support - Left Table.....	2
8	00-290752	Table Lock & Pin Assy.....	1
9	SC-041-31	Cap Screw 3/8-16 x 1 1/4 Hex Hd.....	2
10	WS-018-40	Washer (SST).....	2
11	SC-093-07	Mach. Screw 10-32 x 1/2 Slotted Pan Hd. (SST).....	3
12	WL-006-07	Lockwasher #10 Helical (SST).....	3
13	00-291555	NLA - Obsolete--Guard - Column.....	1
14	00-291556	Guard - Removable.....	1
15	NS-046-33	Acorn Nut 6-32 Hex.....	4
16	00-437676	Hinge - Bottom (W/Short Pin).....	1
17	00-873735	Upper Baffle Assy. (Incls. Items 16 thru 20 & 30 thru 33).....	1
18	WS-028-03	Washer (SST).....	4
19	SC-021-08	Mach. Screw 6-32 x 3/8 Slotted Rd. Hd. (SST).....	4
20	SC-021-08	Mach. Screw 6-32 x 3/8 Slotted Rd. Hd. (SST).....	4
21	WS-028-03	Washer (SST).....	4
22	00-437378-2	Hinge - Lift Off (W/O Pin).....	2
23	NS-046-33	Acorn Nut 6-32 Hex.....	4
24	00-479153	Upper Cover Assy. (Incls. Items 22 thru 29).....	1
25	NS-046-33	Acorn Nut 6-32 Hex.....	2
26	00-291502	Clip - Latch.....	1
27	WS-028-03	Washer (SST).....	2
28	SC-021-07	Mach. Screw 6-32 x 1/4 Slotted Rd. Hd. (SST).....	2
29	SC-021-07	Mach. Screw 6-32 x 1/4 Slotted Rd. Hd. (SST).....	2
30	WS-028-03	Washer (SST).....	2
31	00-437608	Clip - Retainer.....	1
32	NS-046-33	Acorn Nut 6-32 Hex.....	2
33	00-437378-3	Hinge - Lift Off (Bottom W/Pin).....	1
34	SC-041-50	Cap Screw 1/4-20 x 1/2 Hex Hd. (SST).....	4
35	WS-003-47	Washer (SST).....	4
36	00-290860	Anchor - Lower Cover.....	1
37	SC-041-05	Cap Screw 1/4-20 x 5/8 Hex Hd.....	1
38	WS-003-47	Washer (SST).....	1
39	00-436908	Anchor - Pin 1/4-28.....	2
40	00-478121	Lower Cover W/Molded Handle (Incls. Items 36, 37 & 38).....	1
41	00-435792	Foot (2" to 4 " Adjustable Height).....	4

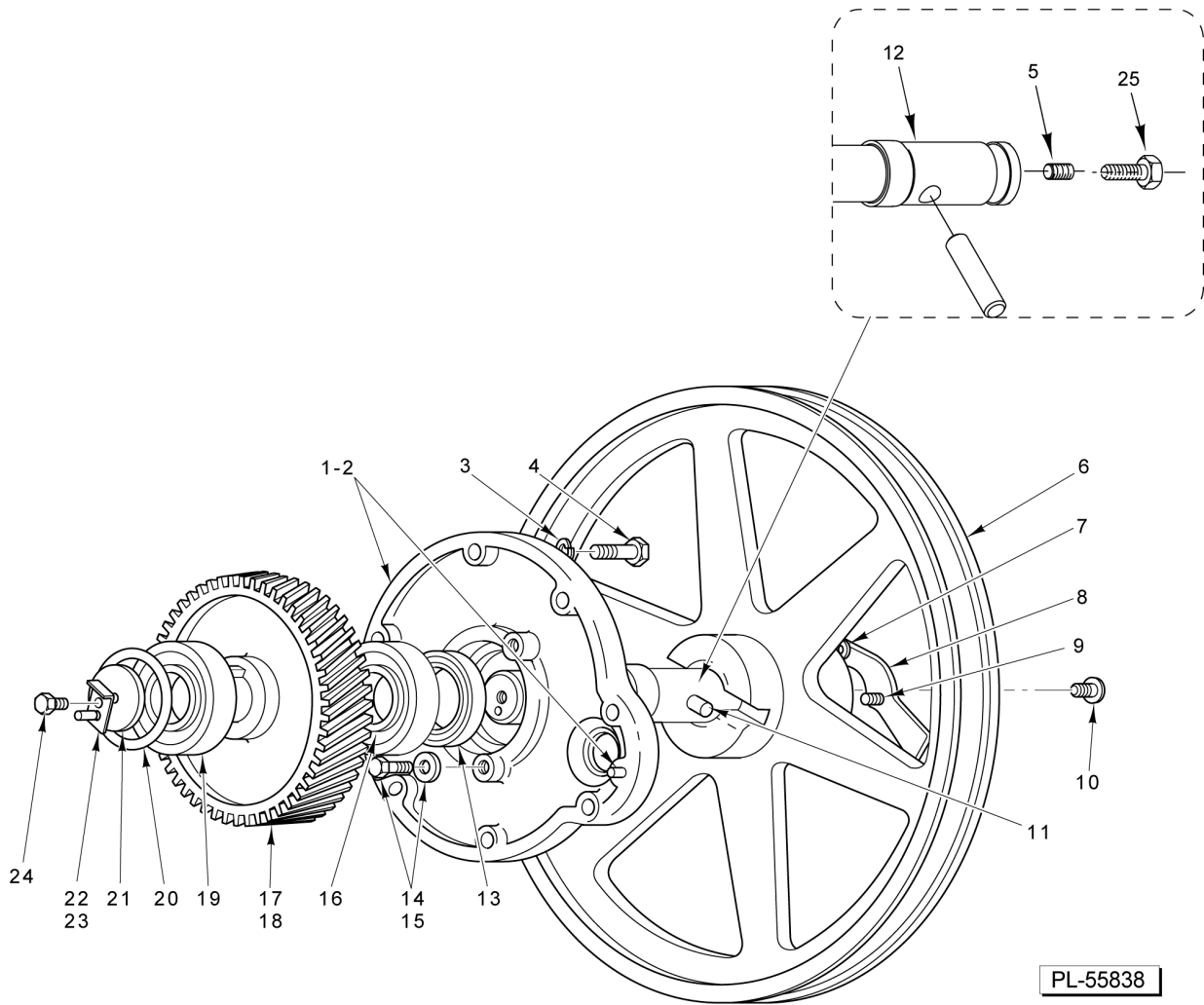


PL-55077

**DRIVE AND TENSION ADJUSTMENT UNIT**

## DRIVE AND TENSION ADJUSTMENT UNIT

ILLUS.	PART NO.	NAME OF PART	AMT.
PL-55077			
1	00-873696-1	Column & Label Assy.....	1
2	00-292286	Transmission Support Assy. (Incls. Item 3).....	1
3	00-0118118	Dowel.....	1
4	00-290832	Pivot - Tension Adjusting.....	2
5	RP-003-16	Roll Pin 3/16 x 1 Lg.....	1
6	00-873500	Tensioner Assy. (Incls. Item 7).....	1
7	BN-005-06	Needle Bearing - Torrington NTA-1018.....	1
8	00-290832	Pivot - Tension Adjusting.....	2
9	00-291859-1	Bushing 1/2 Lg.....	1
10	00-120971	Plug - Vent.....	1
11	00-291798	Gear Case Assy. (Incls. Items 10 & 34).....	1
12	SC-041-31	Cap Screw 3/8-16 x 1 1/4 Hex Hd.....	3
13	WS-021-20	Washer (Nylon).....	1
14	SC-036-93	Cap Screw 7/16-20 x 3/4 Hex Hd.....	1
15	NS-046-29	Lock Nut 3/4-16 Flexlox.....	1
16	SL-005-02	Spring - Loading.....	1
17	00-290866	Washer - Damper.....	1
18	00-290816	Pinion - Drive (14T).....	1
19	00-109070-8	Key.....	1
20	SL-005-02	Spring - Loading.....	6
21	SC-027-29	Mach. Screw 8-32 x 3/8 Slotted Rd. Hd. (Brass).....	AR
22	WL-010-01	Lockwasher 8 External Shakeproof.....	AR
23	NS-010-11	Mach. Nut 8-32 Hex (Brass).....	AR
24	SC-040-21	Cap Screw 3/8-16 x 7/8 Hex Socket Hd.....	4
25	WL-004-06	Lockwasher 3/8 Helical.....	4
26	SD-038-03	Self-Tapping Screw 10-16 x 3/4 Slotted Truss Hd., Type B.....	2
27	00-479134	End Cap.....	1
28	00-437301-1	Motor (60 Hz.) (3 Ph.).....	1
29	00-437301-3	Motor (50 Hz.) (3 Ph.).....	1
30	00-479005	Motor (1 Ph.).....	1
31	SC-041-55	Cap Screw 5/16-18 x 3/4 Hex Hd.....	1
32	WL-006-22	Lockwasher 5/16 Light.....	1
33	00-437370	Pin - Transmission.....	1
34	00-291859-1	Bushing 1/2 Lg.....	2
35	SC-040-21	Cap Screw 3/8-16 x 7/8 Hex Socket Hd.....	5
36	WS-018-04	Washer (SST).....	5
37	PB-004-92	Plug Button.....	8
	00-290820-1	NLA - Obsolete--Motor & Pinion Assy. (60 Hz.) (3 Ph.) (Incls. Items 15 thru 19, 20 & 28).....	1
	00-290820-2	Motor & Pinion Assy. (50 Hz.) (3 Ph.) (Incls. Items 15 thru 19, 20 & 29).....	1
	00-290820-3	Motor & Pinion Assy. (60 Hz.) (1 Ph.) (Incls. Items 15 thru 19, 20 & 30).....	1



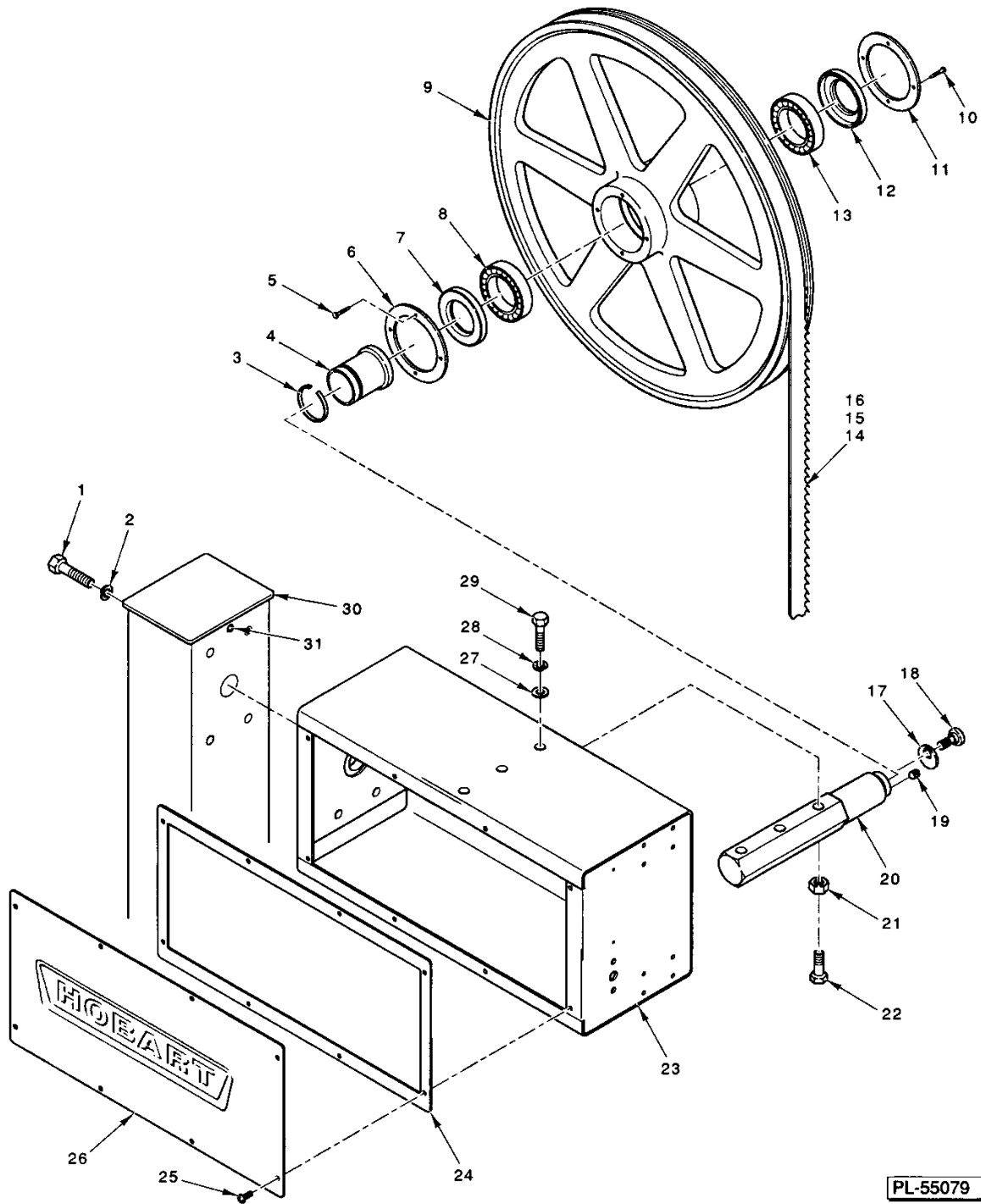
PL-55838

### LOWER PULLEY UNIT



**LOWER PULLEY UNIT**

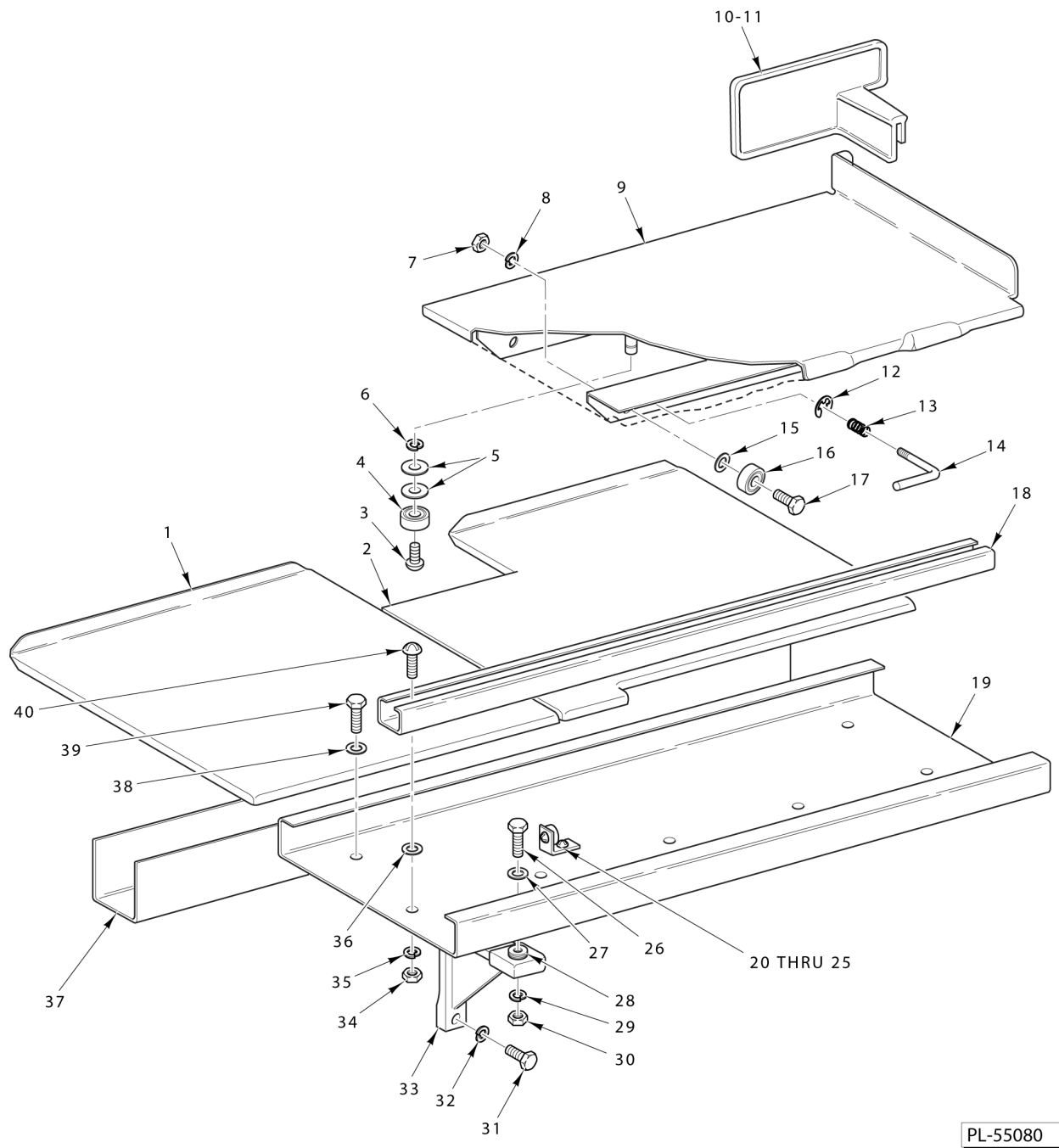
ILLUS.	PART NO.	NAME OF PART	AMT.
PL-55078			
1	00-290817-2	Gear Case Cover Assy. (Incls. Item 2).....	1
2	00-011800-91	Dowel.....	2
3	WL-006-22	Lockwasher 5/16 Light.....	7
4	SC-041-15	Cap Screw 5/16-18 x 1 1/4 Hex Hd.....	7
5	SC-119-20	Set Screw 1/4-20 x 1/2 Soc. Hdls., Flat Pt.....	1
6	ML-109653-Z	Pulley & Latch Assy. (Incls. Items 7, 8 & 9).....	1
7	00-079686	Catch - Friction.....	1
8	00-292213	Latch.....	1
9	00-020851	Screw - Latch.....	1
10	SD-005-49	Self-Tapping screw 12 x 1/2 Rd. Hd. Type U.....	1
11	00-436447	Pin - Drive.....	1
12	00-968027	Shaft - Lower.....	1
13	00-290805	Seal - Shaft.....	1
14	SC-036-24	Cap Screw 5/16-18 x 5/8 Hex Hd.....	3
15	WS-018-40	Washer (SST).....	3
16	BB-008-14	Ball Bearing - ND 77207.....	1
17	00-292276	Gear - Drive (58T).....	1
18	00-109070-00009	Key.....	1
19	BB-008-14	Ball Bearing - ND 77207.....	1
20	SL-003-11	Spring - Loading ND 72.....	2
21	00-291973	Retainer - Shaft.....	1
22	00-291624	Retainer - Lock.....	1
23	RP-003-18	Roll Pin 1/8 x 7/8 Lg.....	1
24	SC-041-12	Cap Screw 5/16-18 x 7/8 Hex Hd. (SST).....	1
25	SC-041-30	Cap Screw 3/8-16 x 1 Hex Hd. (SST).....	1
	00-292298	Drive Unit - Lower (Incls. Items 12, 16, 17, 18, 19, 21, 22 & 23).....	1



**UPPER BEARING CARRIER UNIT**

## UPPER BEARING CARRIER UNIT

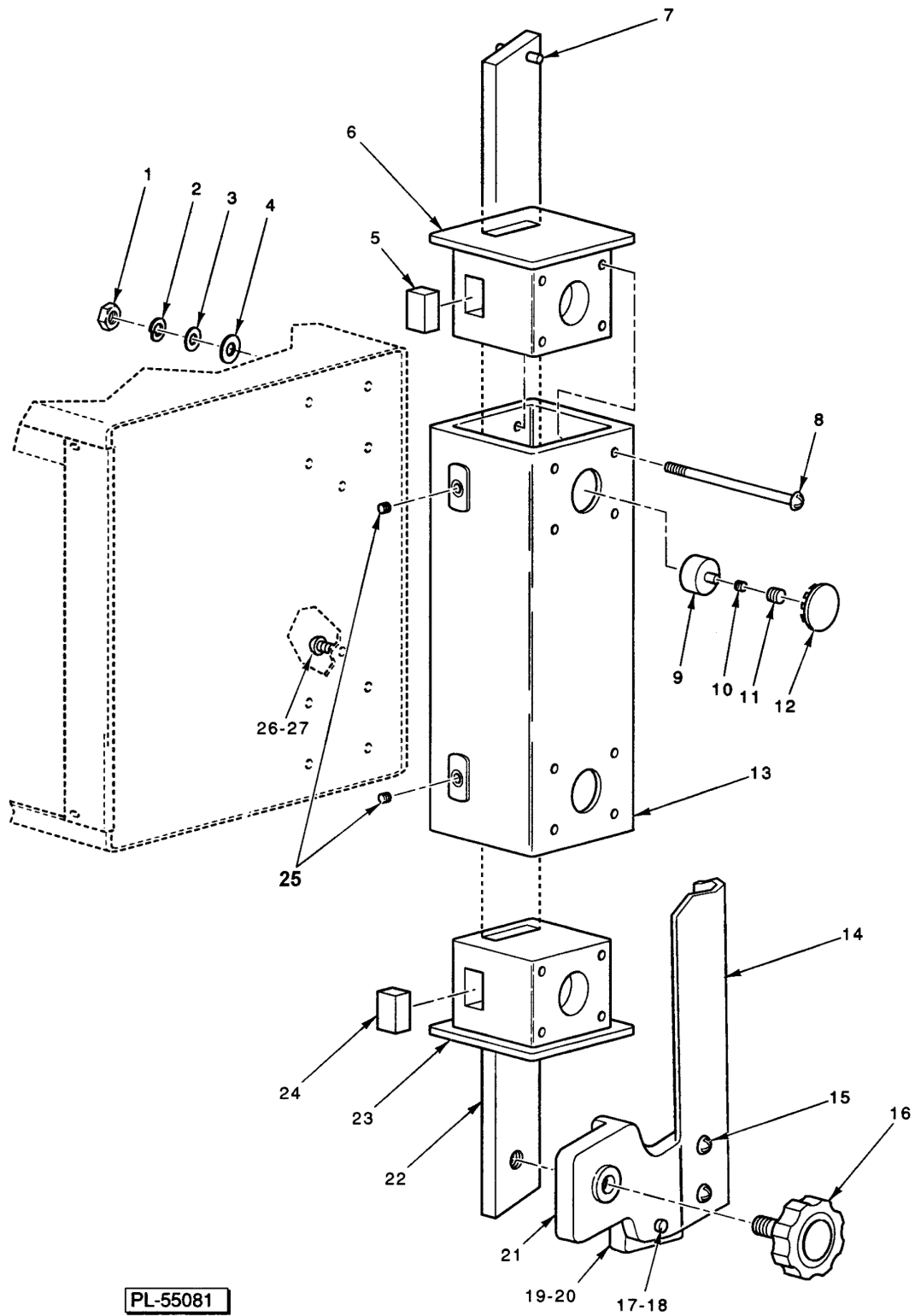
ILLUS.	PART NO.	NAME OF PART	AMT.
PL-55079			
1	SC-040-21	Cap Screw 3/8-16 x 7/8 Hex Socket Hd.....	4
2	WL-004-06	Lockwasher 3/8 Helical.....	4
3	RR-004-13	Retaining Ring (Truarc).....	1
4	00-479143	Bushing - Pulley.....	1
5	SC-067-06	Mach. Screw 10-24 x 1/2 Hex Hd.....	4
6	00-873461-2	Cover - Rear Pulley.....	1
7	00-873501	Seal - Shaft.....	1
8	BB-015-36	Ball Bearing - Hoover - NSK 6007 DDUCE1SRIS.....	1
9	ML-104999-Z	Pulley - Machining Assy.....	1
10	SC-067-06	Mach. Screw 10-24 x 1/2 Hex Hd.....	4
11	00-873461-1	Cover - Front Pulley.....	1
12	00-873502	Seal - Shaft.....	1
13	BB-015-36	Ball Bearing - Hoover - NSK 6007 DDUCE1SRIS.....	1
14	00-477016-142	Blade - Meat Saw (.022") (4T).....	1
15	00-477011-142	Blade - Meat Saw (.022") (3T).....	1
16	00-477021-00142	Blade - Meat Saw (.014") (3T).....	1
17	00-479142	Retainer - Pulley.....	1
18	00-020851	Screw - Latch.....	1
19	00-079686	Catch - Friction.....	1
20	00-479144	Shaft - Upper.....	1
21	NS-018-14	Jam Nut 3/8-16 Hex.....	2
22	SC-127-03	Cap Screw - 3/8-16 x 1 3/4 Hex Hd.....	2
23	00-478995	Box Column Assy. (60 Hz.).....	1
24	00-873820	Gasket - Column Box.....	1
25	SC-025-33	Mach. Screw 8-32 x 1/2 Slotted Bndg. Hd. (SST).....	8
26	00-479672	Cover - Column Box (60 Hz.).....	1
27	WS-018-30	Washer (SST).....	3
28	WL-006-27	Lockwasher 3/8 Helical (SST).....	3
29	SC-041-31	Cap Screw 3/8-16 x 1 1/4 Hex Hd.....	3
30	00-479134	End Cap.....	1
31	SD-038-03	Self-Tapping Screw 10-16 x 3/4 Slotted Truss Hd.,Type B.....	2



**TABLES AND CARRIAGE UNIT**

**TABLES AND CARRIAGE UNIT**

ILLUS. PL-55080	PART NO.	NAME OF PART	AMT.
1	00-290771	Table - Left Assy.....	1
2	00-291654	Table - Right Assy.....	1
3	SC-041-30	Cap Screw 3/8-16 x 1 Hex Hd. SST.....	2
4	BB-008-11	Ball Bearing - Nice #8220-TN.....	2
5	WS-018-30	Washer (SST).....	4
6	WL-006-28	Lockwasher 3/8 Helical.....	2
7	NS-018-14	Jam Nut 3/8-16 Hex.....	8
8	WL-006-27	Lockwasher 3/8 Helical (SST).....	4
9	00-437469	Tri-Rail System ONLY - Carriage Assy.....	1
10	00-291435	Pusher Plate (Gray).....	1
11	00-291435-00002	Pusher Plate (Yellow).....	1
12	RR-011-09	Retaining Ring.....	2
13	00-290787	Spring - Carriage Lock.....	1
14	00-290795	Lever - Carriage Lock.....	1
15	WS-018-30	Washer (SST).....	4
16	BB-008-11	Ball Bearing - Nice #8220-TN.....	4
17	SC-041-31	Cap Screw 3/8-16 x 1 1/4 Hex Hd.....	4
18	00-437476	Rail - Guide.....	1
19	00-873790	Support - Carriage.....	1
20	00-479107	Stop - Carriage.....	2
21	SC-124-44	Bolt - Sq. Neck 5/16-18 x 3/4 Rd. Hd.....	2
22	WS-018-34	Washer - Shim .010 THK. (SST).....	2
23	00-070087	Washer - Spring.....	2
24	NS-031-29	Stop Nut 5/16-18 "Elastic".....	2
25	00-873789	Bumper - Carriage Stop.....	2
26	SC-041-34	Cap Screw 3/8-16 x 2 Hex Hd. (SST).....	2
27	WS-018-40	Washer (SST).....	2
28	00-292284	Screw - Jack.....	2
29	WL-006-27	Lockwasher 3/8 Helical (SST).....	2
30	NS-018-14	Jam Nut 3/8-16 Hex.....	2
31	SC-041-31	Cap Screw 3/8-16 x 1 1/4 Hex Hd.....	2
32	WL-006-27	Lockwasher 3/8 Helical (SST).....	2
33	00-291958-2	Brace - Carriage Support.....	2
34	NS-015-11	Nut 5/16-18 Hex (SST).....	5
35	WL-006-23	Lockwasher 5/16 Helical (SST).....	5
36	WS-017-21	Washer.....	5
37	00-290790	Tray - Scrap.....	1
38	WS-018-40	Washer (SST).....	2
39	SC-041-29	Cap Screw 3/8-16 x 7/8 Hex Hd., Wax Coated Threads.....	2
40	SC-124-44	Bolt - Sq. Neck 5/16-18 x 3/4 Rd. Hd.....	5

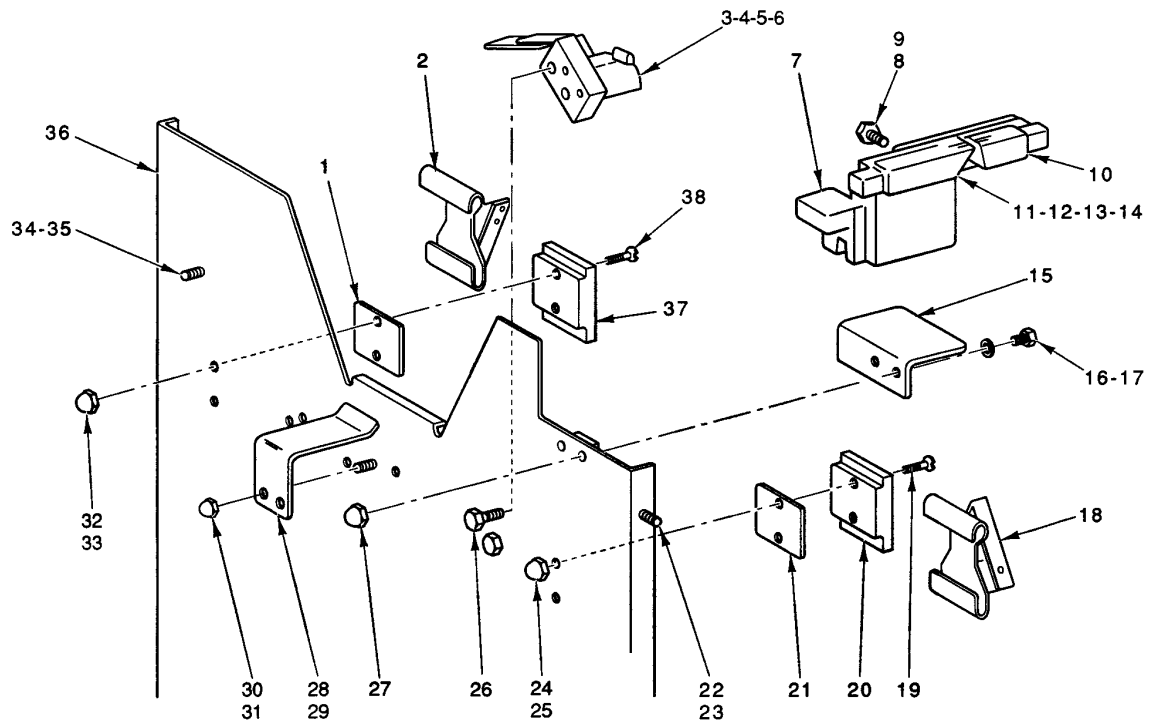


PL-55081

UPPER GUIDE UNIT

## UPPER GUIDE UNIT

ILLUS.	PART NO.	NAME OF PART	AMT.
PL-55081			
1	NS-011-12	Stop Nut 8-32 (SST).....	8
2	WL-014-05	Lockwasher #8 External Shakeproof (SST).....	8
3	WS-023-22	Washer (SST).....	8
4	WS-031-35	Washer (Rubber).....	8
5	00-479766	Slide Lock.....	1
6	00-478999	Guide Bar Insert.....	1
7	PG-007-16	Groove Pin 3/16 Dia. x 3/4 Lg.....	1
8	SC-021-17	Mach. Screw 8-32 x 2 1/2 Slotted Rd. Hd. (SST).....	8
9	00-120141	Shoe - Slide Rod.....	2
10	00-873782	Spring - Slide Rod.....	2
11	SC-046-70	Set Screw 3/8-16 x 1/2 Slotted Hdls., Cup Pt.....	2
12	PB-005-09	Plug Button.....	2
13	00-478998	Support - Guide Bar.....	1
14	00-291441	Guard - Front Blade.....	1
15	SC-120-76	Cap Screw 10-24 x 1/2 Hex Hd. (SST).....	2
16	00-435958-2	Knob - Adjusting.....	1
17	SC-041-02	Cap Screw 1/4-20 x 1 Hex Hd. (Lower Guide).....	1
18	00-291579	Washer - Guide.....	1
19	00-290844-1	Guide - Saw Blade (.022" Blade).....	1
20	00-290844-2	Guide - Saw Blade (.014" Blade).....	1
21	00-290842	Holder - Upper Guide.....	1
22	00-873204	Upper Guide Support Bar Assy.....	1
23	00-478999	Guide Bar Insert.....	1
24	00-479766	Slide Lock.....	1
25	SC-055-01	Set Screw 10-24 x 1/4 Soc. Hdls. Cup Pt. SST.....	2
26	SC-025-33	Mach. Screw 8-32 x 1/2 Slotted Bndg. Hd. (SST).....	2
27	NS-011-12	Stop Nut 8-32 (SST).....	2

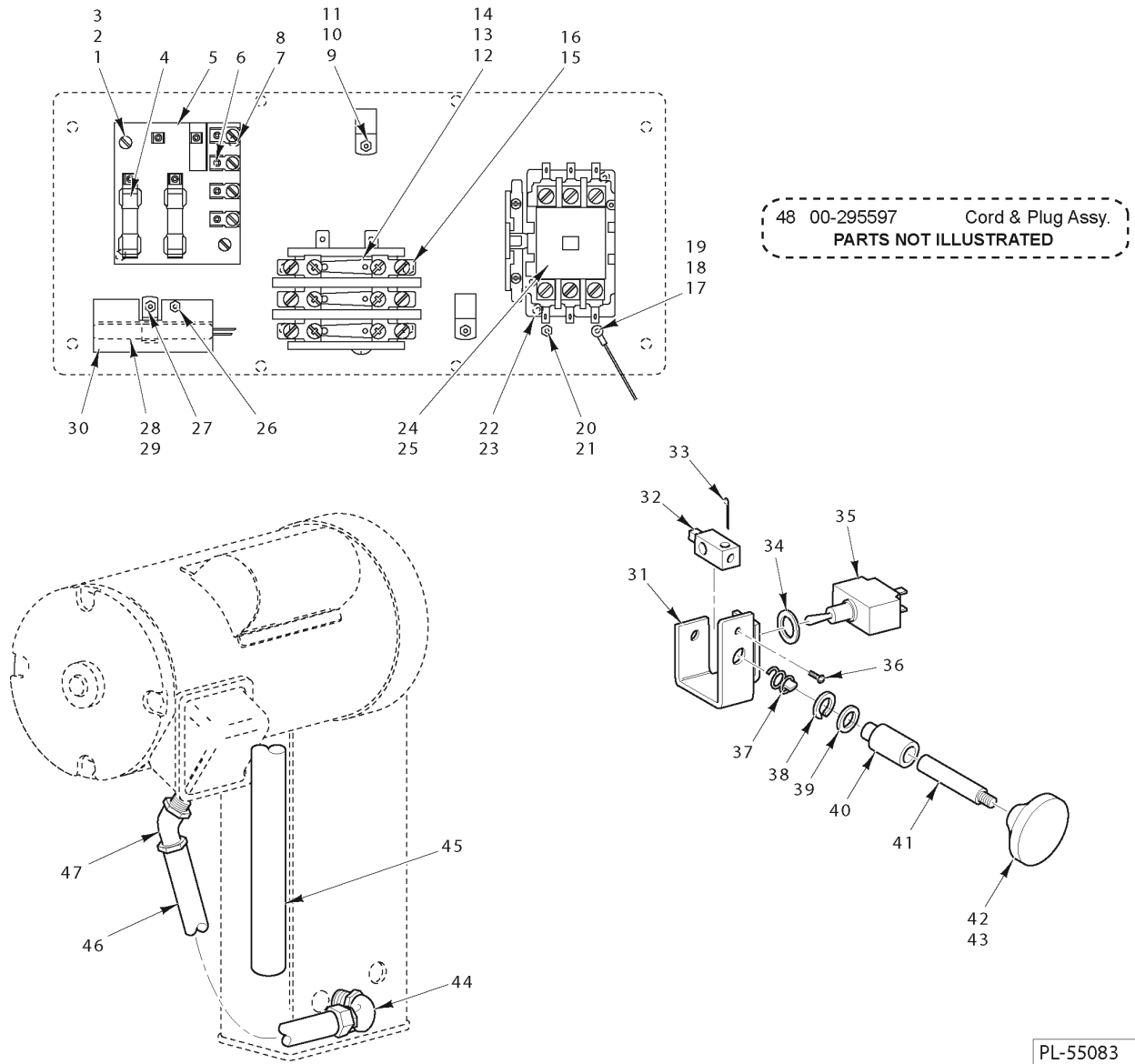


**LOWER WIPER UNIT**



**LOWER WIPER UNIT**

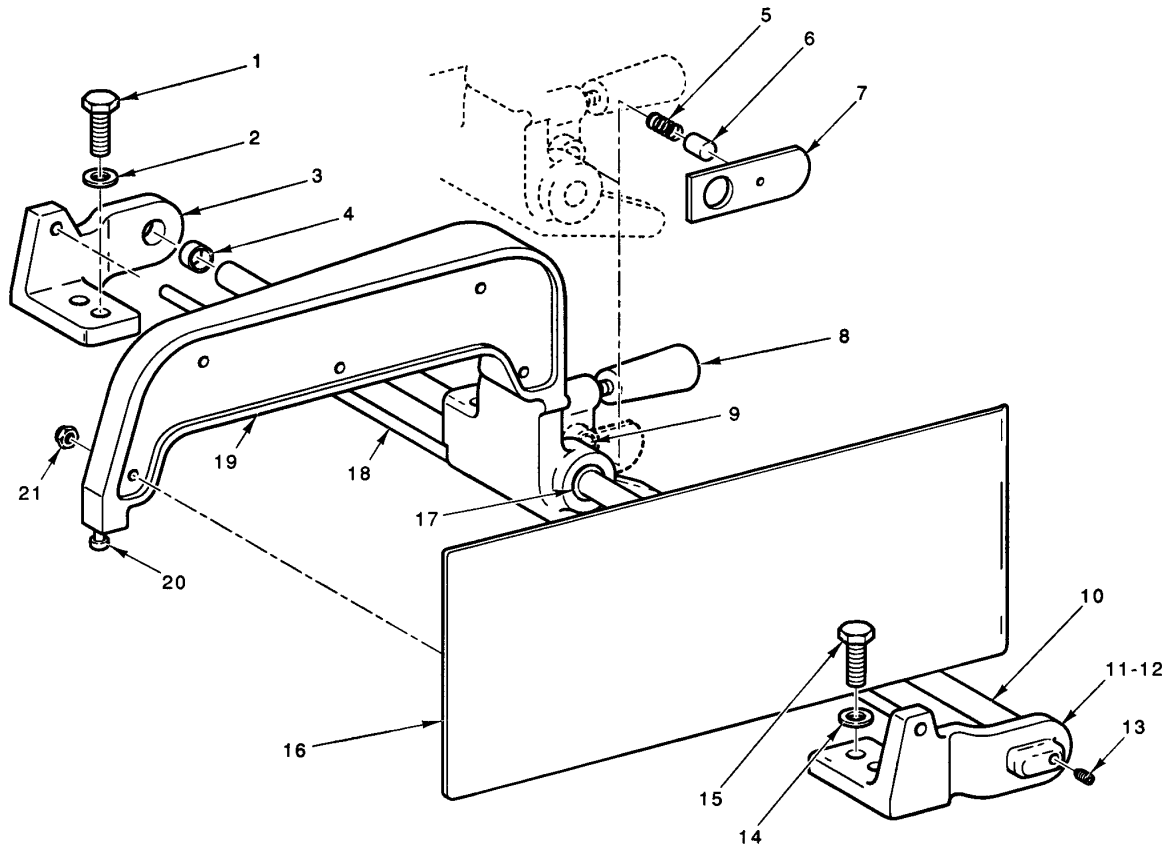
ILLUS.	PART NO.	NAME OF PART	AMT.
PL-55082			
1	00-290855	Shim - Wiper Support.....	AR
2	00-290798	Blade Wiper Assy.....	1
3	00-291831	Block - Pulley Wiper.....	1
4	00-102399	Pulley Wiper Assy. (Incls. Items 5 & 6).....	1
5	00-123886	Wiper - Pulley.....	1
6	SC-053-01	Mach. Screw 10-24 x 1/4 Slotted Truss Hd. (SST).....	2
7	00-875234-2	Holder - Lower Guide.....	1
8	00-875235	Cover - Guide.....	1
9	SC-116-26	Cap Screw 1/4-28 x 7/8 Hex Hd.....	2
10	00-291658	Guide - Plastic.....	1
11	00-291670-1	Guide - Saw Blade (.022" Blade).....	1
12	00-291670-2	Guide - Saw Blade (.014" Blade).....	1
13	00-291670-3	Guide - Saw Blade (.038" Blade).....	1
14	00-291670-4	Guide - Saw Blade (.020" Blade).....	1
15	00-479138	Support.....	1
16	SC-041-01	Cap Screw 1/4-20 x 3/4 Hex Hd. (SST).....	2
17	WS-003-49	Washer 0.266 x 0.563 x 0.062 (SST).....	2
18	00-290798	Blade Wiper Assy.....	1
19	SC-022-35	Mach. Screw 1/4-20 x 1 Slotted Flat Hd. (SST).....	4
20	00-290822	Support - Wiper.....	2
21	00-290855	Shim - Wiper Support.....	AR
22	SC-041-50	Cap Screw 1/4-20 x 1/2 Hex Hd. (SST).....	2
23	WS-003-49	Washer 0.266 x 0.563 x 0.062 (SST).....	2
24	NS-025-04	Crown Nut 1/4-20 (SST).....	4
25	WS-003-49	Washer 0.266 x 0.563 x 0.062 (SST).....	4
26	SC-041-50	Cap Screw 1/4-20 x 1/2 Hex Hd. (SST).....	1
27	NS-025-04	Crown Nut 1/4-20 (SST).....	2
28	00-290788	Clip - Cover.....	1
29	SC-112-79	Mach. Screw 10-24 x 7/16 Pan Hd.....	2
30	NS-025-01	Nut - Crown 10-24.....	2
31	WL-006-06	Lockwasher #10 Helical (SST).....	2
32	NS-025-04	Crown Nut 1/4-20 (SST).....	4
33	WS-003-49	Washer 0.266 x 0.563 x 0.062 (SST).....	4
34	SC-041-50	Cap Screw 1/4-20 x 1/2 Hex Hd. (SST).....	4
35	WS-003-47	Washer (SST).....	4
36	00-873715	Baffle - Lower Pulley.....	1
37	00-290822	Support - Wiper.....	2
38	SC-022-35	Mach. Screw 1/4-20 x 1 Slotted Flat Hd. (SST).....	4
39	00-291809	Shield - Blade Guide.....	1
	00-291672-1	Holder & Guide Assy. (Incls. Items 7 thru 10 & 11).....	1
	00-291672-2	Holder & Guide Assy. (Incls. Items 7 thru 10 & 12).....	1
	00-291672-3	Holder & Guide Assy. (Incls. Items 7 thru 10 & 13).....	1
	00-291672-4	Holder & Guide Assy. (Incls. Items 7 thru 10 & 14).....	1



**ELECTRICAL UNIT**

## ELECTRICAL UNIT

ILLUS.	PART NO.	NAME OF PART	AMT.
PL-55083			
1	SC-025-33	Mach. Screw 8-32 x 1/2 Slotted Bndg. Hd. (SST).....	2
2	WL-014-05	Lockwasher #8 External Shakeproof (SST).....	2
3	NS-011-12	Stop Nut 8-32 (SST).....	2
4	FE-019-48	Fuse (8/10 AMPS.) (600 V.).....	2
5	00-120907-1	Transformer (50 VA.).....	1
6	00-114707	Fuse Board.....	1
7	NS-011-12	Stop Nut 8-32 (SST).....	2
8	WL-014-05	Lockwasher #8 External Shakeproof (SST).....	2
9	NS-011-12	Stop Nut 8-32 (SST).....	3
10	WS-023-22	Washer (SST).....	3
11	00-078752-9	Clamp - Cable.....	3
13	00-088196-006-1	Relay - Thermal Overload (1 Ph.).....	1
14	00-088196-009-1	Relay - Thermal Overload (3 Ph.).....	1
15	NS-011-12	Stop Nut 8-32 (SST).....	2
16	WL-014-05	Lockwasher #8 External Shakeproof (SST).....	2
17	00-290889	Cable & Eylet Assy. (Panel to Column).....	1
18	NS-011-12	Stop Nut 8-32 (SST).....	2
19	WL-014-05	Lockwasher #8 External Shakeproof (SST).....	2
20	NS-011-12	Stop Nut 8-32 (SST).....	1
21	WL-014-05	Lockwasher #8 External Shakeproof (SST).....	1
22	NS-011-12	Stop Nut 8-32 (SST).....	2
23	WL-014-05	Lockwasher #8 External Shakeproof (SST).....	2
24	00-087713-101-1	Contacto Assy. (3 Pole) (200-230 V.).....	1
25	00-087713-101-2	Contacto Assy. (3 Pole) (460 V.).....	1
26	NS-011-12	Stop Nut 8-32 (SST).....	2
27	00-108199-1	Clamp - Air Heater.....	1
28	00-122345-1	Heater Assy (460 V).....	1
29	00-122345-2	Heater Assy (200-230 V).....	1
30	00-121543	Shield - Heater.....	1
31	00-123241-1	Bracket - Switch.....	1
32	00-873781	Actuator Switch.....	1
33	PC-005-08	Cotter Pin 3/32 x 5/8 Lg.....	1
34	00-121827	Ring - Locking.....	1
35	00-875567	Switch Assy.....	1
36	SC-010-36	Mach. Screw 10-24 x 5/8 Slotted Truss Hd.....	2
37	00-121547	Spring - Compression.....	1
38	00-875049	Retaining Ring.....	1
39	WS-018-30	Washer (SST).....	1
40	00-290883	Bushing - Switch Shaft.....	1
41	00-290882	Shaft - Switch.....	1
42	00-291475	Label - Start/Stop.....	1
43	00-290885	Knob - Switch.....	1
44	FE-024-61	Connector 1/2 x 45 Deg.(Non Metallic)"Sealtite".....	1
45	00-291600	Tube - Insulator.....	1
46	00-436913-012	Conduit - 1/2 Liquidtite.....	1
47	FE-024-61	Connector 1/2 x 45 Deg.(Non Metallic)"Sealtite".....	1
48	00-295597	Cord & Plug Assy (3 Phase).....	1



PL-55084

**GAUGE PLATE UNIT**

**GAUGE PLATE UNIT**

ILLUS.	PART NO.	NAME OF PART	AMT.
PL-55084			
1	SC-041-31	Cap Screw 3/8-16 x 1 1/4 Hex Hd.....	2
2	WS-018-40	Washer (SST).....	2
3	00-290757	Support - Shaft & Rod (Rear).....	1
4	00-479644	Bearing - Sleeve.....	2
5	00-291933	Spring - Gauge Plate Lock.....	1
6	00-291932	Pin - Locking Lever.....	1
7	00-290769	Lever - Locking.....	1
8	00-070194	Handle - Gauge Plate.....	1
9	00-110544-10	Bushing - Gauge Plate Frame.....	1
10	00-290770	Shaft - Gauge Plate.....	1
11	00-290792	Front Shaft & Rod Support Assy. (Incls. Items 12 & 13).....	1
12	PG-006-11	Pin - Groove 1/4 x 5/8, Type D.....	1
13	SC-064-27	Set Screw 5/16-18 x 1/2 Soc. Hdls., Cup Pt. "Nylok.....	1
14	WS-018-40	Washer (SST).....	2
15	SC-041-31	Cap Screw 3/8-16 x 1 1/4 Hex Hd.....	2
16	00-291431	Plate and Stud Assy.....	1
17	00-110544-9	Bushing - Gauge Plate Frame.....	2
18	00-290758-2	Rod - Table Anchor (Right Table).....	1
19	00-291944	Gauge Plate Assy. (Incls. Items 9, 16, 17, 20 & 21).....	1
20	00-290764	Button - Glide.....	1
21	NS-025-04	Crown Nut 1/4-20 (SST).....	5
	00-292347	Gauge Plate Assy. (Incls. Items 5, 6, 7, 16, 19 & 20) (Pkgd.).....	1

