



# CATALOG OF REPLACEMENT PARTS

**D300N Mixer**

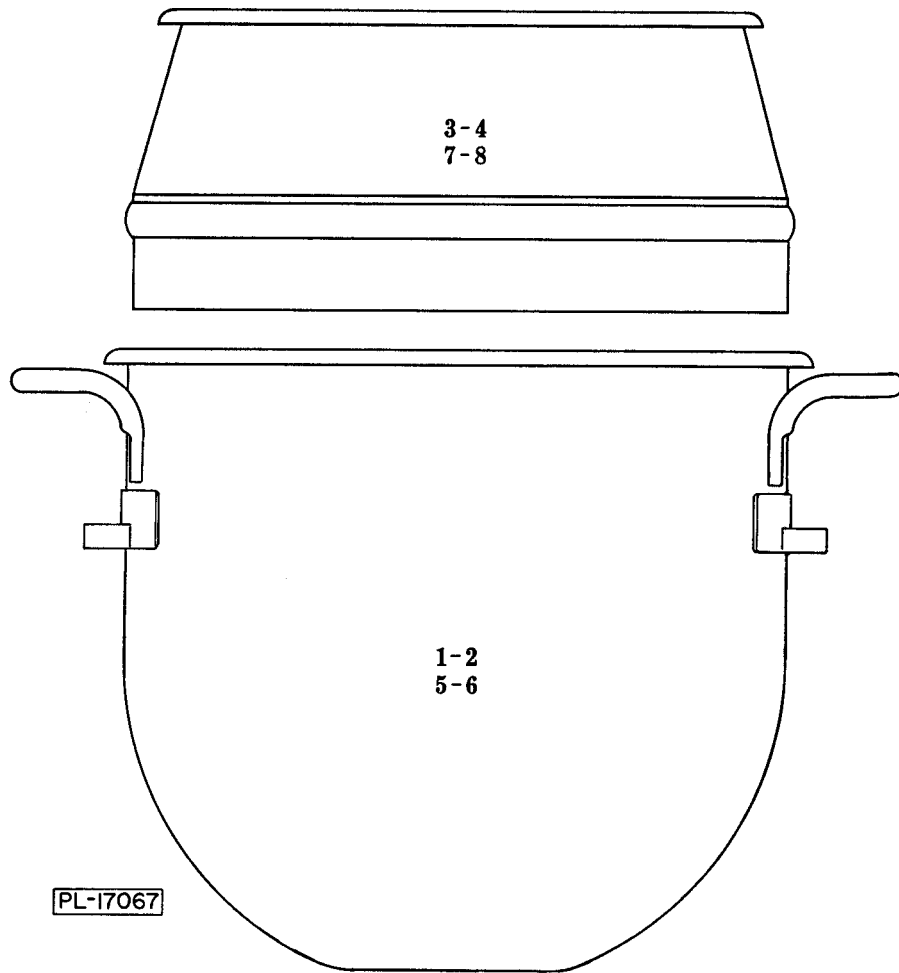
**ML-19829**





### Table of Contents

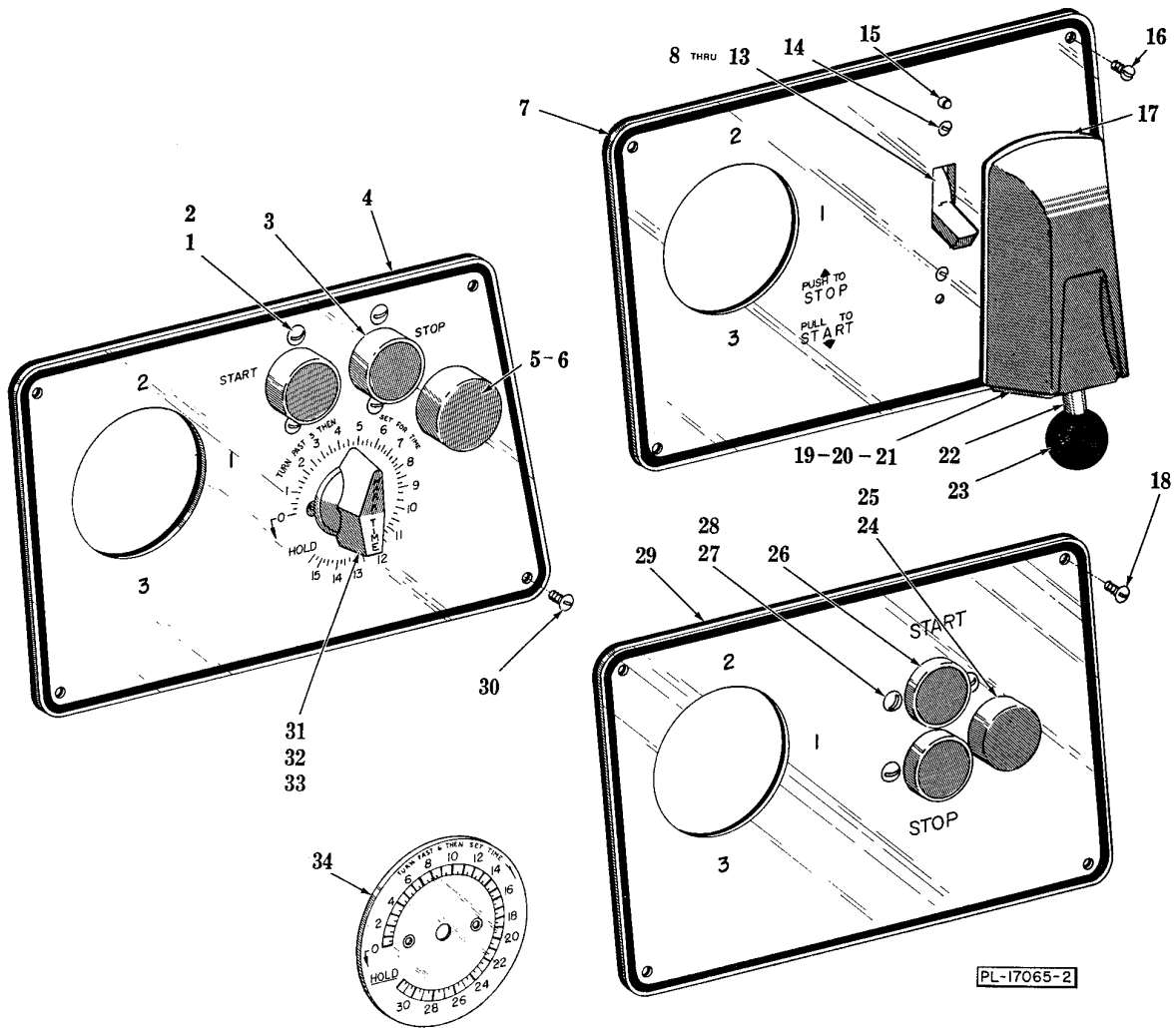
5	BOWL
7	TIMER, CONTROL AND SWITCH UNIT
9	MAGNETIC CONTROL UNIT
11	BASE AND PEDESTAL
13	BOWL LIFT UNIT
15	TRANSMISSION CASE
17	MOTOR UNIT F13671
19	SHIFTER UNIT
21	TRANSMISSION
23	PLANETARY AND ATTACHMENT HUB
25	AGITATORS



**BOWL**

**BOWL**

ILLUS. PL-17067	PART NO.	NAME OF PART	AMT.
1	D-104413	Bowl - 30 Qt. (Tinned).....	1
2	E-115228	Bowl - 20 Qt. (Not Shown) (Tinned).....	1
3	S-70497-1	Splash Cover Assy. (30 Qt.) (Tinned).....	1
4	S-20531-1	Splash Cover Assy. (20 Qt.) (Tinned).....	1
5	D-104414	Bowl - 30 Qt. (SST).....	1
6	E-115229	Bowl - 20 Qt. (SST).....	1
7	S-70497-2	Splash Cover Assy. (30 Qt) (SST).....	1
8	S-20531-2	Splash Cover Assy. (20 Qt) (SST).....	1

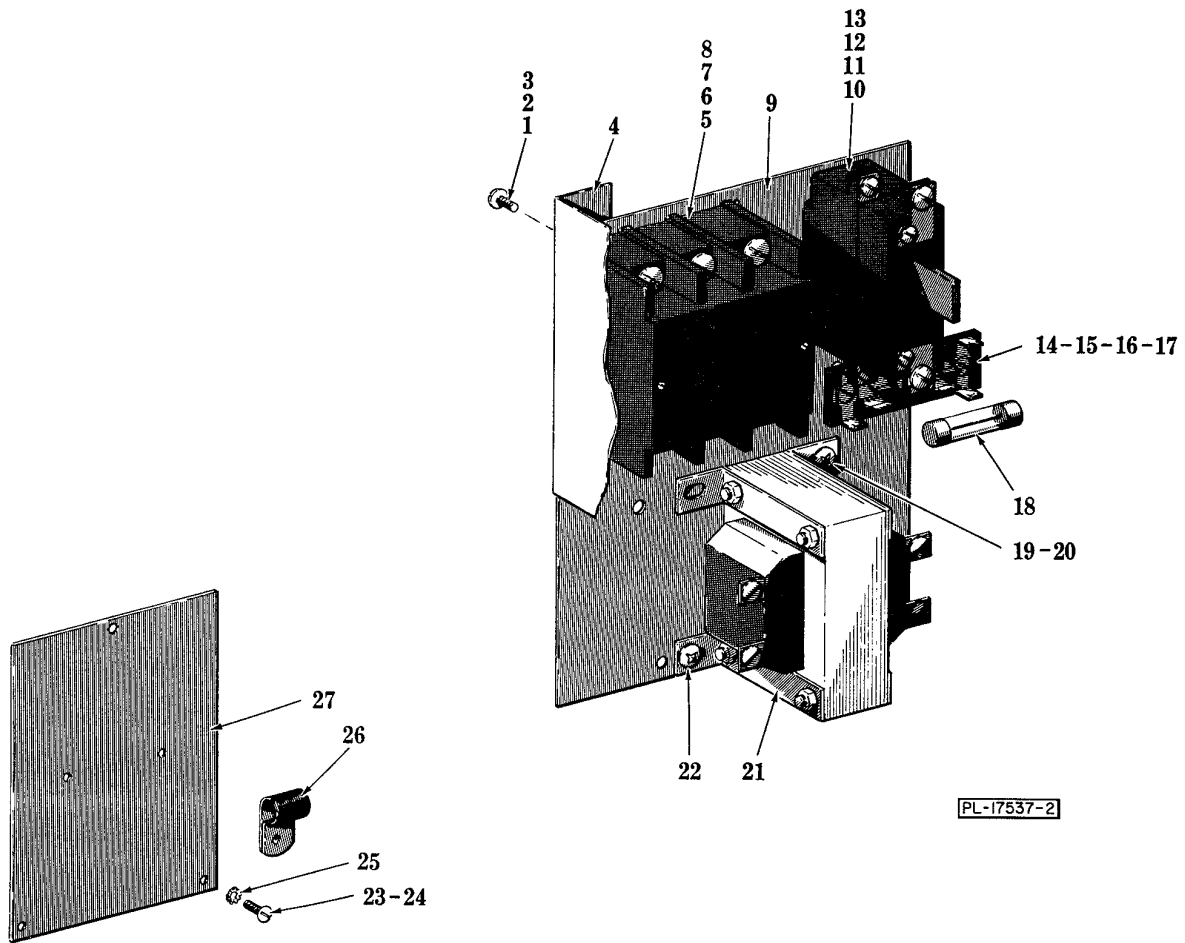


**TIMER, CONTROL AND SWITCH UNIT**

### TIMER, CONTROL AND SWITCH UNIT

ILLUS.	PART NO.	NAME OF PART	AMT.
<b>PL-17065-2</b>			
1	SC-15-26	Mach. Screw - #8-32 x 5/16" Oval Hd.....	4
2	WS-2-18	Washer.....	4
3	P-87711-102-1	NLA - Obsolete--Station - Push Button.....	2
4	D-117852	NLA - Obsolete--Plate - Switch & Timer.....	1
5	A-102467-1	Cap - Push Button (Start).....	1
6	A-102467-2	Cap - Push Button (Stop).....	1
7	D-117864	Plate - Manual Switch.....	1
8	P-87711-99-4	NLA - Obsolete--Switch (1 Ph.).....	1
9	P-87711-99-2	NLA - Obsolete--Switch (2 & 3 Ph., Under 250 V.).....	1
10	P-87711-57-1	NLA - Obsolete--Switch (2 & 3 Ph., Above 250 V.).....	1
11	P-87810-19-1	Switch - Manual W/Overload Protection (Less Elements) (1 Ph.).....	1
*12		Heater Element - Manual Starter.....	AR
13	M-70262	Insulator - Switch (Above 250) (3 Ph.).....	1
14	SC-9-49	Mach. Screw - #6-32 x 3/8" Rd. Hd.....	2
15	SD-15-41	Self-Tapping Screw - #8-32 x 1/2" Phil. Pan Hd. "Taptite".....	2
16	B-123109	Screw - Special.....	4
17	A-105050	Gasket - Switch Housing.....	1
18	B-123109	Screw - Special.....	4
19	A-105305	NLA - Obsolete--Switch Rod & Housing Assy.....	1
20	D-105150	Housing - Switch Seal.....	1
21	B-121559	Sleeve - Actuating Rod.....	1
22	B-121237	Rod - Switch Actuating (Part is NLA, See TSB677).....	1
23	A-105197	Knob.....	1
24	A-102467-1	Cap - Push Button (Start).....	1
25	A-102467-2	Cap - Push Button (Stop).....	1
26	P-87711-102-1	NLA - Obsolete--Station - Push Button.....	2
27	SC-15-26	Mach. Screw - #8-32 x 5/16" Oval Hd.....	4
28	WS-2-18	Washer.....	4
29	D-117851	Plate - Magnetic Switch.....	1
30	B-123109	Screw - Special.....	4
31	A-103228	NLA - Obsolete--Timer & Gasket Assy. (15 Min.).....	1
32	A-103229	NLA - Obsolete--Timer, Dial & Gasket Assy. (30 Min.) (Incls. item #30).....	1
33	SC-13-7	Mach. Screw - #5-40 x 1/4" Flat Hd.....	2
34	B-73540	Dial - Timer (30 Min.).....	1
	M-61285-1	Boot - Insulating (Not Shown).....	AR

\* Give Elec. Spec., Mach. Model & Motor Type.



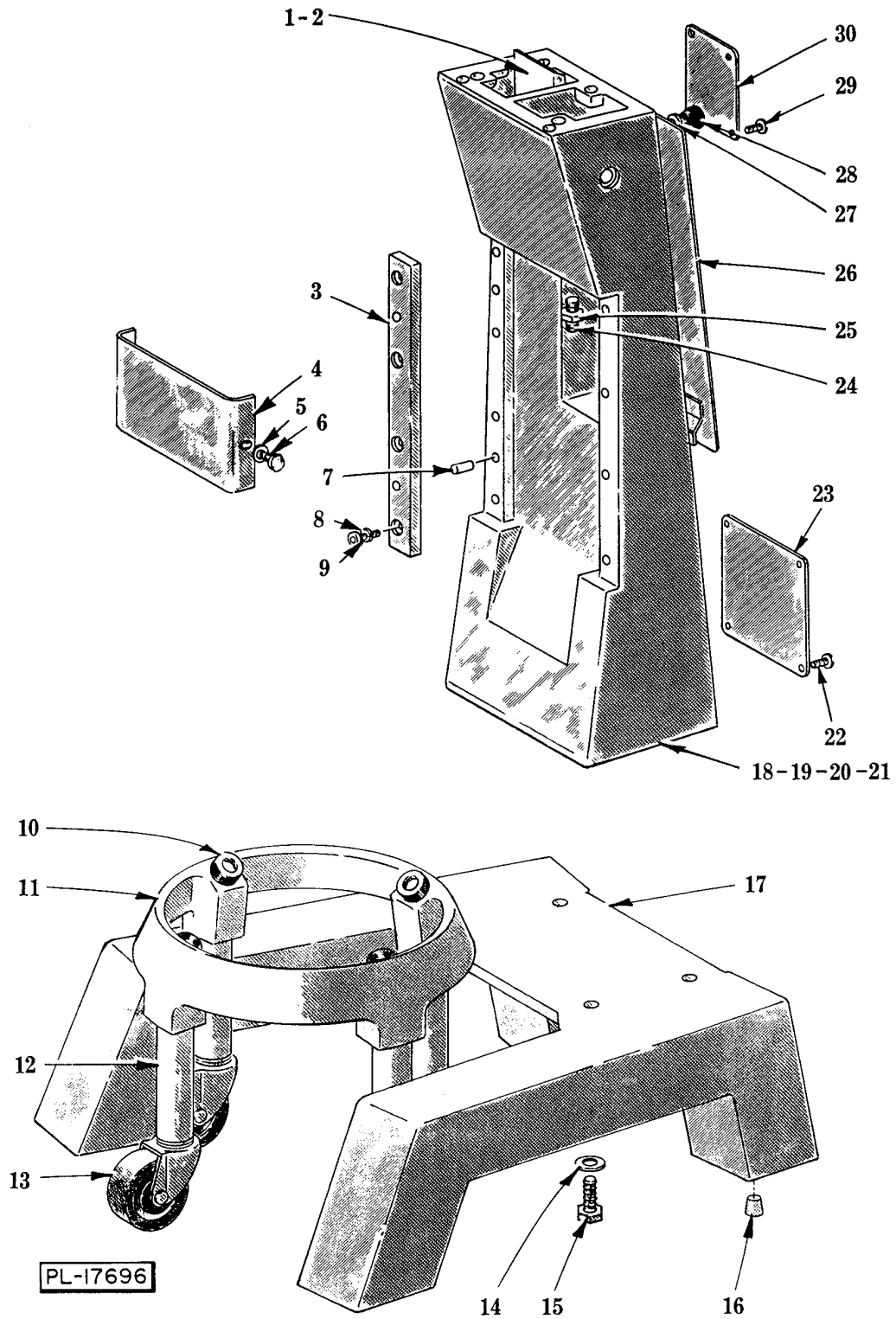
**MAGNETIC CONTROL UNIT**



### MAGNETIC CONTROL UNIT

ILLUS.	PART NO.	NAME OF PART	AMT.
<b>PL-17537-2</b>			
1	WL-7-2	Lock Washer - #6 Ext. Shakeproof.....	4
2	NS-9-7	Mach. Nut - #6-32 Hex.....	4
3	SC-9-49	Mach. Screw - #6-32 x 3/8" Rd. Hd.....	4
4	D-290551	Insulator.....	1
5	C-87713-23-2	NLA - Obsolete--Contactor (115 V., 50/60 Hz., 1 Ph.).....	1
6	C-87713-23-1	NLA - Obsolete--Contactor (200/230 V., 60 Hz.; 220 V., 50 Hz.) (1 Ph.).....	1
7	C-87713-22-1	NLA - Obsolete--Contactor (Below 250 V.) (3 Ph.).....	1
8	C-87713-22-2	NLA - Obsolete--Contactor (Above 250 V.) (3 Ph.).....	1
9	D-123962	Panel - Control.....	1
10	B-88196-6-1	Relay - Thermal Overload (1 Ph.).....	1
11	B-88196-5-1	Relay -Thermal Overload (3 Ph.) (Tri-Block).....	1
*12		Heater Element - Overload Relay.....	AR
13	B-123131	Self-Tapping Screw - #8-32 x 3/8" Truss Hd. "Taptite".....	2
14	B-124017	Fuse Block Assy. (Above 250 V.) (3 Ph.).....	1
15	M-85432	Insulator - Fuse Block (Above 250 V.) (3 Ph.).....	1
16	SC-9-49	Mach. Screw - #6-32 x 3/8" Rd. Hd. (Above 250 V.) (3 Ph.).....	1
17	NS-9-7	Mach. Nut - #6-32 Hex (Above 250 V.) (3 Ph.).....	1
18	FE-9-25	Fuse (1/2 Amp.) (Above 250 V.) (3 Ph.).....	1
19	SC-7-37	Mach. Screw - #8-32 x 1/4" Rd. Hd.....	3
20	WL-7-6	Lock Washer - #8 Ext. Shakeproof.....	3
21	B-101935	Transformer (Above 250 V.) (3 Ph.).....	1
22	SD-15-20	Self-Tapping Screw - #10-32 x 3/8" Phil. Pan Hd. "Taptite" (Above 250 V.) (3 Ph.).....	1
23	SC-7-41	Mach. Screw - #8-32 x 3/8" Rd. Hd.....	1
24	SC-7-37	Mach. Screw - #8-32 x 1/4" Rd. Hd. (1 Ph.).....	2
25	WL-7-6	Lock Washer - #8 Ext. Shakeproof.....	3
26	M-78752-4	Clip - Wiring.....	1
27	P-70147	Plate - Capacitor Mounting (Manual Starter) (60 Hz., 1 Ph.).....	1

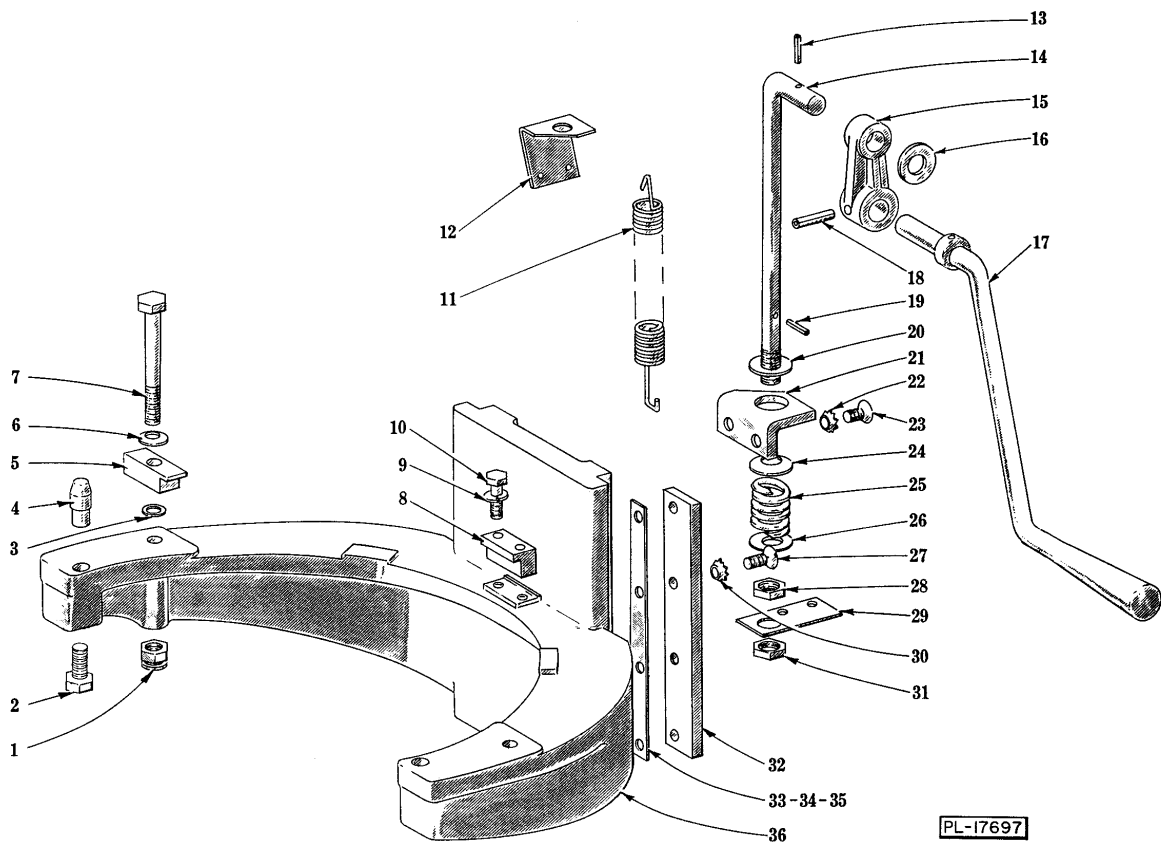
\* Give Elec. Spec., Mach. Model & Motor Type.



**BASE AND PEDESTAL**

## BASE AND PEDESTAL

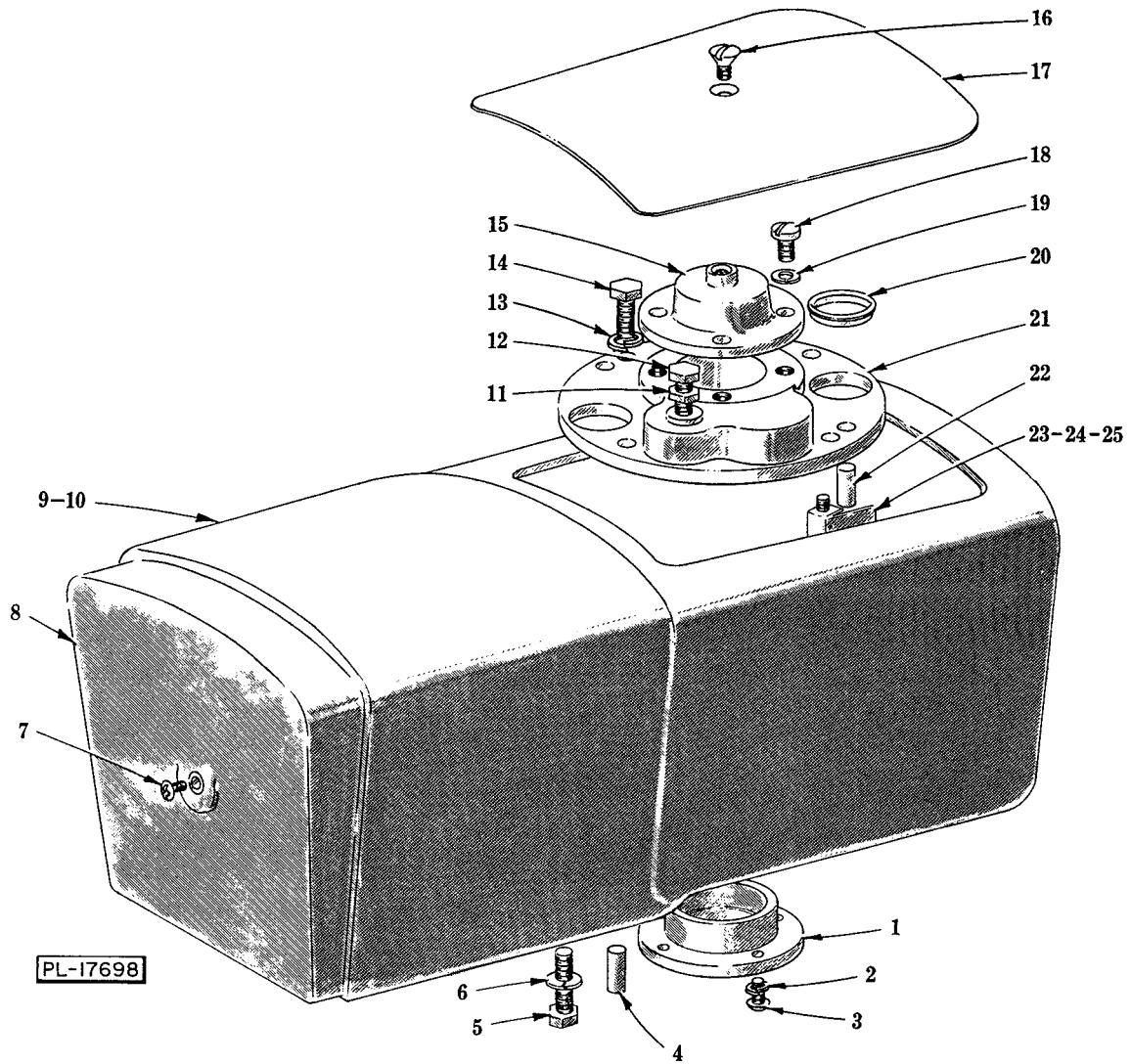
ILLUS.	PART NO.	NAME OF PART	AMT.
PL-17696			
1	R-70145	Air Baffle Assy.....	1
2	SC-13-55	Mach. Screw - #10-24 x 1" Flat Hd.....	1
3	R-68717	Slideway.....	2
4	R-68720	Apron.....	1
5	WS-23-21	Washer.....	2
6	P-70641-12	Thumb Screw - #6-32.....	2
7	D-11800-116	Dowel.....	2
8	A-120288	Lock Washer - Special.....	8
9	SC-40-14	Cap Screw - 5/16"-18 x 3/4" Soc. Fil. Hd.....	8
10	B-18682-1	Bumper.....	4
11	S-70593-2	Bowl Truck Assy. (Incls. items #10, 12 & 13).....	1
12	P-70590-1	Leg.....	4
13	P-87668-1	Caster.....	4
14	WS-18-19	Washer.....	4
15	SC-62-22	Cap Screw - 3/8"-16 x 1-1/4" Hex Hd.....	4
16	B-114992	Plug - Base (Plug for Foot Pad).....	4
17	E-110146	Base Assy.....	1
18	E-123961-3	Pedestal.....	1
19	C-87532-88	Lead Wire Assy. (Grd.).....	1
20	SD-24-1	Self-Tapping Screw - #10-24 x 3/8" Pan Hd. "Taptite".....	1
21	WL-10-6	Lock Washer - #10 Ext. Shakeproof.....	1
22	B-123109	Screw - Special.....	4
23	C-123969-2	Cover - Capacitor & Starter Access.....	1
24	SC-47-46	Set Screw - 3/8" -16 x 1-1/4" Soc. Hdls., Half-Dog Pt.....	1
25	NS-17-15	Jam Nut - 3/8"-16 Hex Fin.....	1
26	R-70144-1	Lift Access Cover Assy.....	1
27	WS-19-26	Washer.....	1
28	M-70450	Knob - Lift Access Cover.....	1
29	B-121676-3	Screw - Special.....	4
30	C-117872-2	Plate - Mach. Data (Give Serial No. & Elec. Spec.).....	1



**BOWL LIFT UNIT**

## BOWL LIFT UNIT

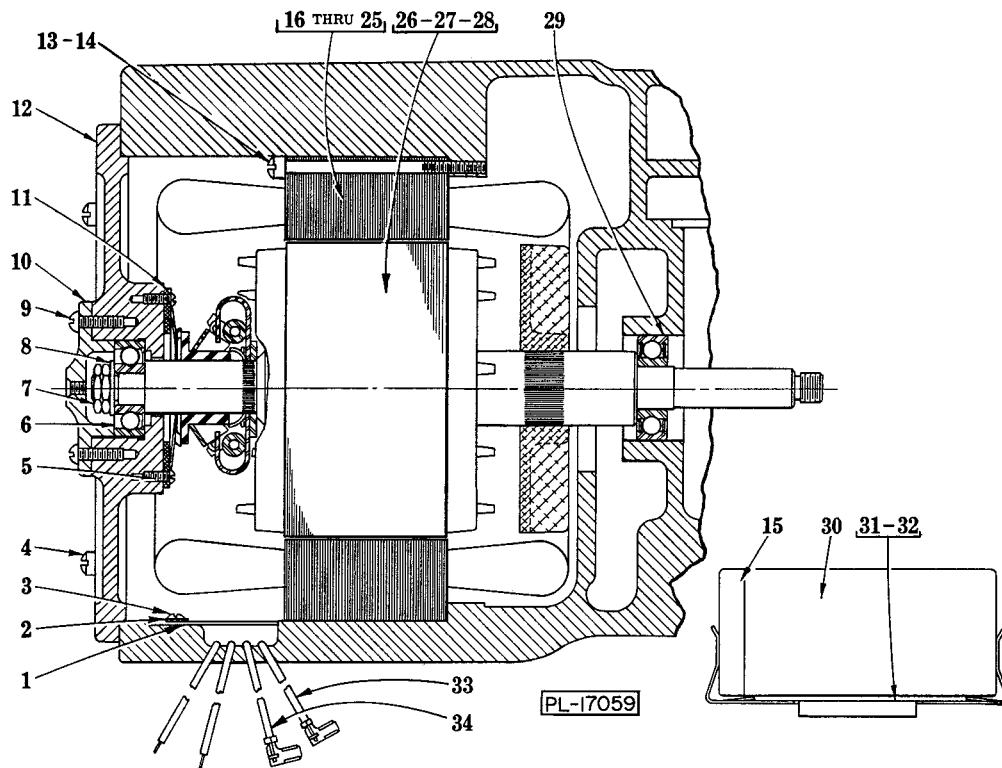
ILLUS. PL-17697	PART NO.	NAME OF PART	AMT.
1	NS-32-13	Stop Nut - 5/16"-18 "Flexloc".....	2
2	SC-37-75	Cap Screw - 5/16"-18 x 3/4" Hex Hd.....	2
3	WS-4-18	Washer.....	2
4	M-70411	Pin - Bowl Locating.....	2
5	M-70057	Clamp - Bowl.....	2
6	M-70087	Washer - Spring.....	2
7	SC-62-28	Cap Screw - 5/16"-18 x 3-1/2" Hex Hd.....	2
8	M-70044	Retainer - Bowl.....	1
9	WL-6-16	Lock Washer - 1/4" Light.....	2
10	SC-36-9	Cap Screw - 1/4"-20 x 1-1/4" Hex Hd.....	2
11	M-23884	Spring - Counterbalance.....	2
12	P-70056	Bracket - Upper Spring Lift.....	1
13	RP-2-25	Rollpin - 1/8" Dia. x 7/8" Lg.....	1
14	P-68718	Rod - Bowl Lift.....	1
15	P-69995	Arm - Bowl Lift.....	1
16	WS-8-47	Washer.....	1
17	R-70493	Lift Handle Assy.....	1
18	RP-2-26	Rollpin - 1/4" Dia. x 1-1/8" Lg.....	1
19	RP-2-10	Rollpin - 3/16" Dia. x 1" Lg.....	1
20	WS-8-47	Washer.....	1
21	P-69998	Bracket - Bowl Lift.....	1
22	WL-9-14	Lock Washer - 5/16" Csk. Ext. Shakeproof.....	2
23	SC-61-3	Cap Screw - 5/16"-18 x 3/4" Soc. Flat Hd.....	2
24	M-70131	Washer - Cup.....	1
25	M-70104	Spring - Bowl Lift.....	1
26	WS-8-47	Washer.....	1
27	SC-61-3	Cap Screw - 5/16"-18 x 3/4" Soc. Flat Hd.....	8
28	NS-17-31	Jam Nut - 1/2"-20 Hex Fin.....	1
29	M-70058	Bracket - Lower Spring Lift.....	1
30	WL-9-14	Lock Washer - 5/16" Csk. Ext. Shakeproof.....	8
31	NS-17-31	Jam Nut - 1/2"-20 Hex Fin.....	1
32	P-69996	Gib.....	2
33	P-70092-1	Shim - Bowl Support (.001" Thk.).....	AR
34	P-70092-2	Shim - Bowl Support (.002" Thk.).....	AR
35	P-70092-3	Shim - Bowl Support (.003" Thk.).....	AR
36	T-70404-2	Support - Bowl.....	1



**TRANSMISSION CASE**

## TRANSMISSION CASE

ILLUS. PL-17698	PART NO.	NAME OF PART	AMT.
1	P-70048	Liner - Aluminum Case.....	1
2	WL-3-36	Lock Washer - 1/4" Light.....	4
3	SC-76-1	Cap Screw - 1/4"-20 x 1/2" Soc. Button Hd.....	4
4	D-11800-221	Dowel.....	2
5	SC-62-27	Cap Screw - 3/8"-16 x 1-3/4" Hex Hd.....	4
6	WL-4-2	Lock Washer - 3/8" Light.....	4
7	M-72189	Mach. Screw - "Nylok" Phil. Truss Hd.....	1
8	S-68723-1	Cap - Trim.....	1
9	T-69975-3	Case - Transmission.....	1
10		Motor (See Separate Page This Catalog).....	1
11	NS-17-14	Jam Nut - 3/8"-16 Hex Fin.....	1
12	SC-36-57	Cap Screw - 3/8"-16 x 1-1/4" Hex Hd.....	1
12	WL-3-43	Lock Washer - 5/16" Light.....	4
14	SC-36-26	Cap Screw - 5/16"-18 x 7/8" Hex Hd.....	4
15	P-70017	Retainer - Bearing.....	1
16	SC-15-36	Mach. Screw - #10-24 x 5/8" Oval Hd.....	1
17	R-70005-1	Transmission Case Cover Assy.....	1
18	SC-11-74	Mach. Screw - 1/4"-20 x 5/8" Fil. Hd.....	4
19	WL-3-37	Lock Washer - 1/4" Medium.....	4
20	M-64871	Plug - Single Friction.....	2
21	S-68721	Bearing Carrier - Transmission Case.....	1
22	D-11800-116	Dowel.....	2
23	P-70872	Deflector - Roller Clutch Oil.....	1
24	SC-7-40	Mach. Screw - #8-32 x 5/16" Rd. Hd.....	1
25	WL-7-6	Lock Washer - #8 Ext. Shakeproof.....	2
	M-79621	Shim (Between Trans. Case & Ped.) (Not Shown).....	AR



**MOTOR UNIT F13671**

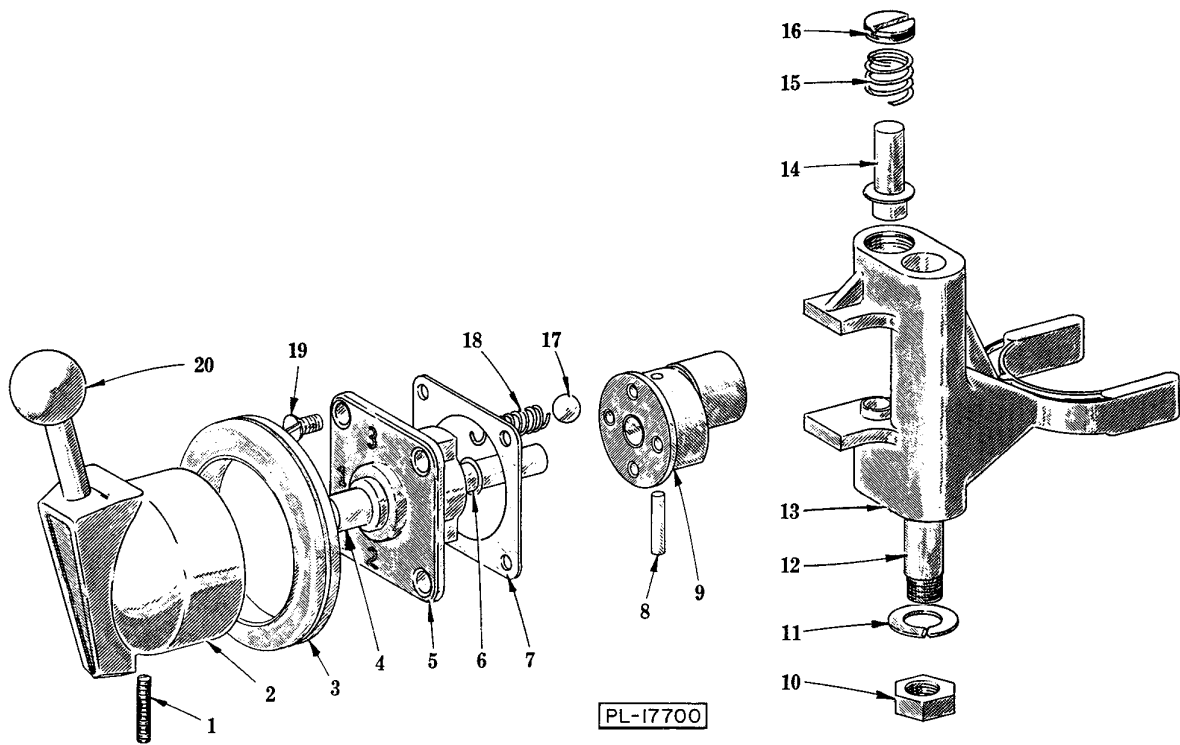


## MOTOR UNIT F13671

ILLUS. PL-17059	PART NO.	NAME OF PART	AMT.
1	M-70441	Retainer - Lead Wire.....	1
2	WL-7-7	Lock Washer - #8 Ext. Shakeproof.....	1
3	SC-9-56	Mach. Screw - #8-32 x 3/8" Rd. Hd.....	1
4	SC-11-64	Mach. Screw - #12-24 x 1" Fil. Hd.....	4
*5	SC-9-70	Mach. Screw - #6-32 x 1/4" Rd. Hd.....	2
6	BB-17-5	Ball Bearing - N.D. #7601.....	1
7	V-11430	Nut - Special.....	2
8	WS-7-9	Washer.....	1
9	SC-9-61	Mach. Screw - #8-32 x 1/2" Rd. Hd.....	4
10	P-70012	Cap - Bearing.....	1
*11	P-66085	Switch - Starting (Stationary Part).....	1
12	S-68722	Bracket - Bearing.....	1
*13	SC-11-32	Mach. Screw - #10-24 x 3" Fil. Hd.....	4
**14	SC-11-28	Mach. Screw - #10-24 x 2-1/2" Fil. Hd.....	4
*15	C-70486-2	Cap - Capacitor End.....	1
*16	P-65477-64-1	Stator Assy. (115 V., 60 Hz.).....	1
*17	P-65477-64-2	Stator Assy. (200 V., 60 Hz.).....	1
*18	P-65477-64-3	Stator Assy. (230 V., 60 Hz.).....	1
*19	P-65477-64-4	Stator Assy. (115 V., 50 Hz.).....	1
*20	P-65477-64-5	Stator Assy. (220 V., 50 Hz.).....	1
**21	P-65478-29-1	Stator Assy. (200 V., 60 Hz.).....	1
**22	P-65478-29-2	Stator Assy. (230 V., 60 Hz.).....	1
**23	P-65478-29-3	Stator Assy. (460 V., 60 Hz.).....	1
**24	P-65478-29-4	Stator Assy. (220 V., 50 Hz.).....	1
**25	P-65478-29-5	Stator Assy. (380 V., 50 Hz.).....	1
*26	P-22275-104	NLA - Obsolete--Rotor Assy. (60 Hz.).....	1
*27	P-22275-105	Rotor Assy. (50 Hz.).....	1
**28	P-15747-219	Rotor Assy. (50/60 Hz.).....	1
29	BB-18-17	Ball Bearing - Fafnir #H203PP.....	1
*30	D-70487-1	Capacitor.....	1
*31	P-66621-1	Bracket - Capacitor.....	1
*32	SC-14-45	Mach. Screw - #8-32 x 3/8" Flat Hd.....	2
*33	C-87525-235	Lead (Cap. to Start Switch) (40").....	1
*34	C-87525-236	Lead (Cap. to Start Switch) (47").....	1

\* 1 PH

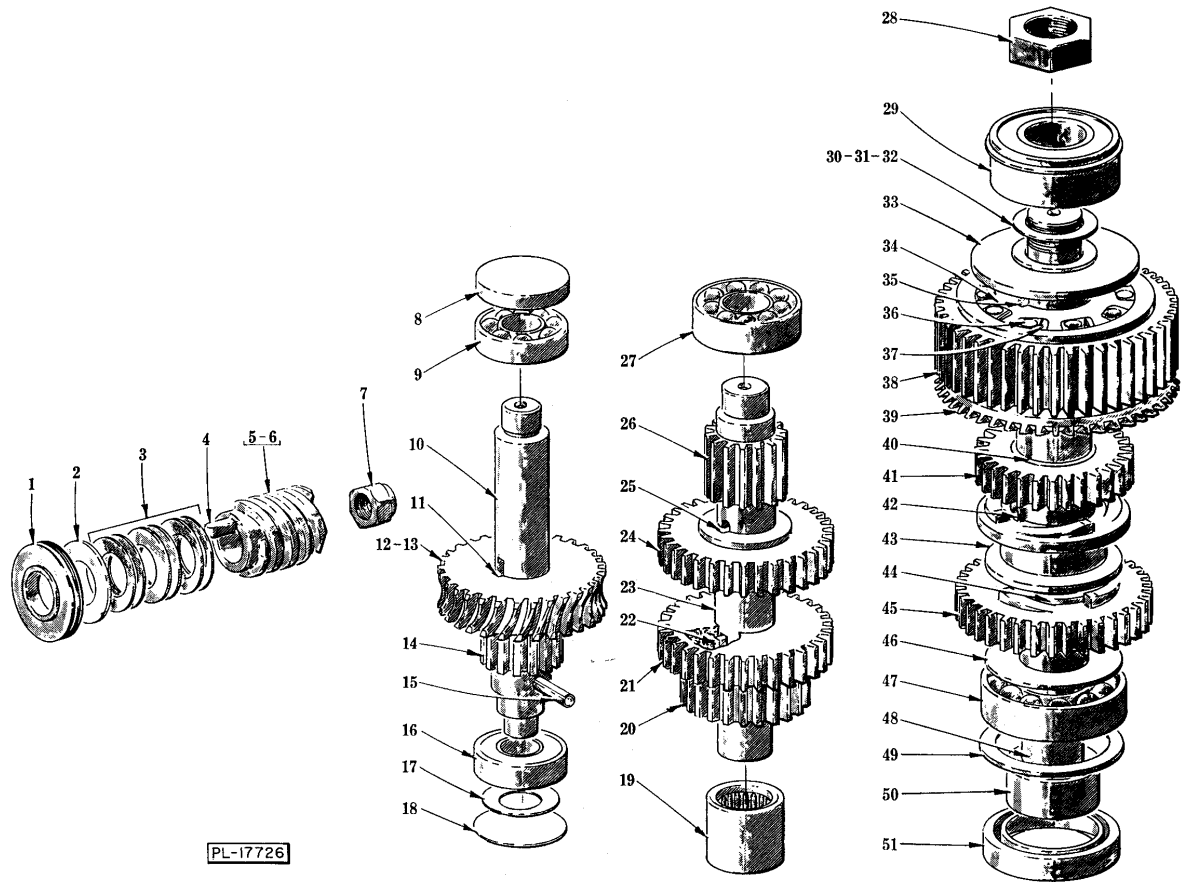
\*\* 3 Ph.



**SHIFTER UNIT**

### SHIFTER UNIT

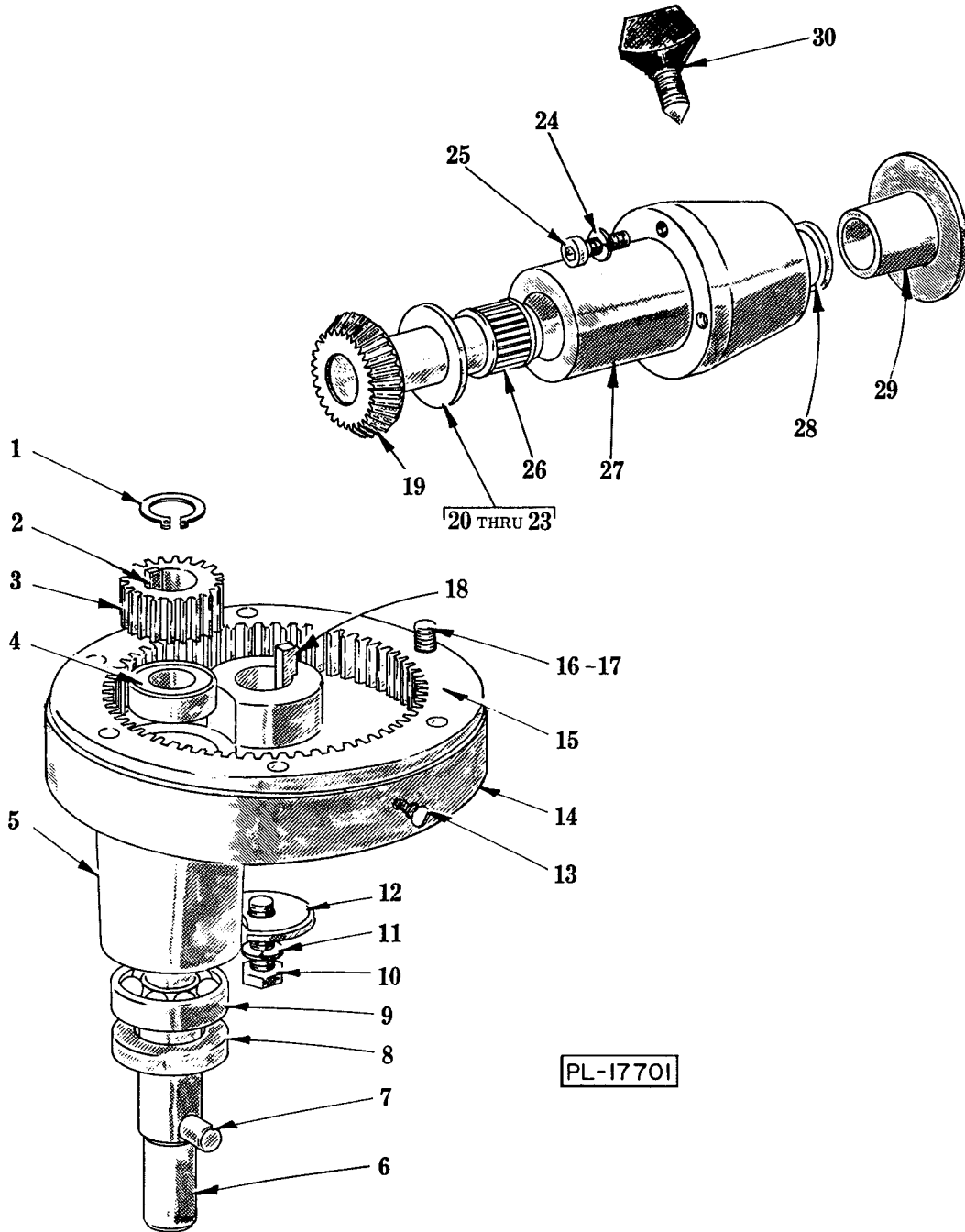
ILLUS. PL-17700	PART NO.	NAME OF PART	AMT.
1	SC-47-17	Set Screw - 1/4"-20 x 3/4" Soc. Hd., Cup Pt.....	1
2	P-70333-2	Shifter Handle Assy. (Incls. items #1 & 20).....	1
3	B-110961	Grommet - Shifter Handle.....	1
4	B-114507	Shaft - Shifter.....	1
5	P-290115-2	Plate - Index.....	1
6	D-67500-44	"O" Ring.....	1
7	M-23946	Gasket - Index Plate.....	1
8	PS-3-8	Spirol Pin - 1/8" Dia. x 3/4" Lg.....	1
9	B-114506	Cam - Gear Shifter.....	1
10	NS-13-22	Full Nut - 3/8"-16 Hex Fin.....	1
11	WL-4-2	Lock Washer - 3/8" Light.....	1
12	M-70043	Rod - Shifter Guide.....	1
13	P-13160	Yoke - Shifter.....	1
14	V-12733	Plunger - Shifter Yoke.....	2
15	V-12734	Spring - Shifter Yoke.....	2
16	V-12732	Retainer - Shifter Yoke Spring.....	2
17	BA-2-9	Ball - 1/4" Dia.....	2
18	V-111170	Spring - Detent.....	2
19	SC-13-46	Mach. Screw - #10-24 x 1/2" Flat Hd.....	4
20	M-70085	Knob - Shifter Handle Ball.....	1



### TRANSMISSION

## TRANSMISSION

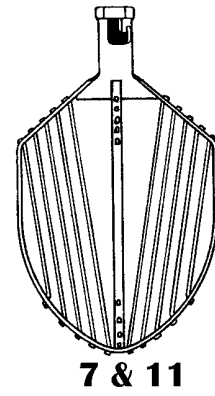
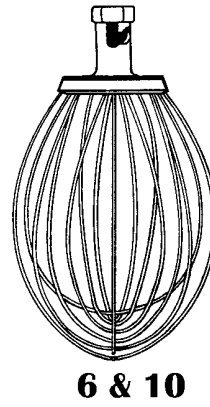
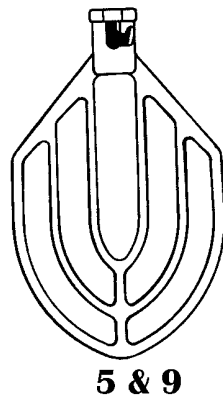
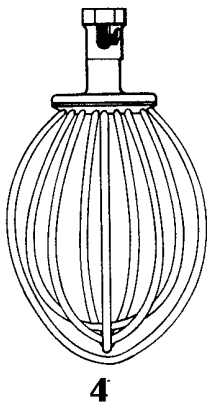
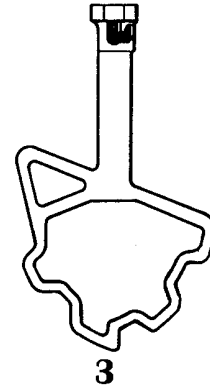
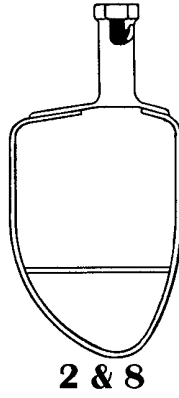
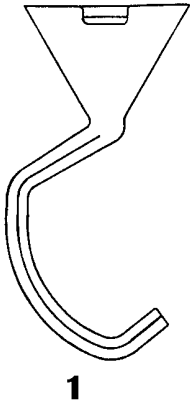
ILLUS.	PART NO.	NAME OF PART	AMT.
PL-17726			
1	M-13174-1	Deflector - Grease.....	1
2	WS-10-36	Washer.....	1
3	M-77840	Washer - Belleville.....	6
4	V-12747	Key.....	1
5	C-291221	Worm (5T) (60 Hz.).....	1
6	M-70407	Worm (5T) (50 Hz.).....	1
7	NS-32-23	Stop Nut - 7/16"-20 "Flexloc".....	1
8	M-70026	Pusher - Bearing.....	1
9	BB-17-4	Ball Bearing - ND #7501.....	1
10	P-70036	NLA - Obsolete--Shaft - Worm Gear.....	1
11	R-12430-52	Key.....	1
12	P-70034	Gear -Worm (29T) (60 Hz.).....	1
13	P-70251	Gear - Worm (24T) (50 Hz.).....	1
14	C-70027	NLA - Obsolete--Gear - Worm Shaft (14T).....	1
15	PS4-13	Spirol Pin - 1/4" Dia. x 7/8" Lg.....	1
16	BB-17-4	Ball Bearing - ND #7501.....	1
17	M-70166	Spring - Worm Shaft.....	1
18	PL-3-14	Plug - Expansion.....	1
19	BN-2-2	Needle Bearing.....	1
20	M-70028	Gear (23T).....	1
21	C-70030	Gear (33T).....	1
22	M-70260	Key.....	1
23	M-89829	Spacer.....	1
24	M-89831	Gear (32T).....	1
25	M-89830	Key.....	1
26	P-89818	Shaft - Transmission.....	1
27	BB-17-9	Ball Bearing - ND #3203.....	1
28	NS-32-32	Stop Nut - 3/4"-16 L.H. Thd. "Flexloc".....	1
29	BB-9-41	Ball Bearing - ND #45504.....	1
30	WS-012-45	Washer (.002" Thk.).....	AR
31	WS-12-46	Washer (.003" Thk.).....	AR
32	WS-12-47	Washer (.010" Thk.).....	AR
33	M-70015	Spacer - Upper Planetary Shaft.....	1
34	P-70033	Sleeve - Drive.....	1
35	R-12430-161	Key.....	1
36	M-70039	Roller - Clutch.....	10
37	M-70055	Spring - Roller.....	10
38	P-70032	Gear - Roller Clutch (46T).....	1
39	P-70020	Gear - Bevel (46T).....	1
40	M-70042	Bushing - Upper Clutch Gear.....	1
41	P-70040	Gear - Upper Clutch (29T).....	1
42	R-12430-55	Key.....	2
43	C-70035-1	Sleeve - Clutch.....	1
44	M-70031	Bushing - Lower Clutch Gear.....	1
45	P-70095	Gear - Lower Clutch (38T).....	1
46	M-70046	Spacer - Lower Planetary Shaft.....	1
47	BB-8-33	Ball Bearing - Fafnir #205WD.....	1
48	M-71187	Planetary Shaft & Bushing Assy. (Incls. item #44).....	1
49	M-75050	Washer - Spacing.....	1
50	M-70016	Spacer - Planetary.....	1
51	B-110334	Seal - Planetary.....	1
	P-88774	NLA - Obsolete--Planetary Shaft & Gear Assy. (Incls. items #33,34,35,38 thru 43,45,46,47,48 & 50).....	1



PLANETARY AND ATTACHMENT HUB

## PLANETARY AND ATTACHMENT HUB

ILLUS. PL-17701	PART NO.	NAME OF PART	AMT.
1	RR-4-6	Retaining Ring.....	1
2	R-12430-142	Key.....	1
3	M-70014	Pinion - Agitator Shaft (18T).....	1
4	BB-20-6	Ball Bearing - ND #7504.....	1
5	S-69990-1	Planetary.....	1
6	M-70339	Agitator Shaft Assy. (Incls. item #7).....	1
7	M-70019	Pin - Agitator.....	1
8	B-110335	Seal - Agitator Shaft.....	1
9	BB-17-36	Ball Bearing - ND #7505.....	1
10	SC-62-58	Cap Screw - 3/8"-24 x 1-1/4" Hex Hd.....	1
11	WL-6-27	Lock Washer - 3/8" Light.....	1
12	M-70047-1	Washer - Planetary.....	1
13	P-70641-12	Thumb Screw - Special.....	2
14	R-68719	Cup - Planetary Drip.....	1
15	S-69994	Gear - Internal (59T).....	1
16	SC-40-16	Cap Screw - 5/16"-18 x 1" Soc. Fil. Hd.....	6
17	WL-3-48	Lock Washer - 5/16" High Collar.....	6
18	R-12430-158	Key.....	1
19	M-75393	NLA - Obsolete--Attach. Drive Gear (35T) & Expan. Plug Sub-Assy.....	1
20	M-70045-1	Washer - Thrust (.125" Thk.).....	AR
21	M-70045-3	Washer - Thrust (.121" Thk.).....	AR
22	M-700454	NLA - Obsolete--Washer - Thrust (.123" Thk.).....	AR
23	M-70045-5	Washer - Thrust (.127 " Thk.).....	AR
24	WL-3-43	Lock Washer - 5/16" Light.....	3
25	SC-40-15	Cap Screw - 5/16"-18 x 1-1/4" Soc. Fil. Hd.....	3
26	BN-2-12	Bearing - Needle.....	2
27	P-70511-1	Attachment Hub & Bearings Assy. (Incls. item #26).....	1
28	P-70090	Seal - Attachment Hub.....	1
29	C-114824-1	Plug - Attachment Hub.....	1
30	C-108197-1	Thumb Screw Assy.....	1
	M-88730-1	Planetary Assy. (Incls. items #1 thru 6, 8 & 9).....	1



**AGITATORS**



## AGITATORS

ILLUS. PL-17711	PART NO.	NAME OF PART	AMT.
2	S-68093	"P" Pastry Knife.....	1
3	R-10582-1	"S" Sweet Dough Beater.....	1
4	R-11016	"I" Wire Whip.....	1
5	S-23641-1	"B" Flat Beater.....	1
6	S-23525-1	"D" Wire Whip.....	1
7	D-123717	"C" Wing Whip.....	1
	E-119679	"ED" Dough Arm (Not Shown).....	1
1	S-23500	"E" Dough Arm.....	1
8	R-70764	"P" Pastry Knife.....	1
9	S-23642-1	"B" Flat Beater.....	1
10	S-23526-1	"D" Wire Whip.....	1
11	D-123724	"C" Wing Whip.....	1

