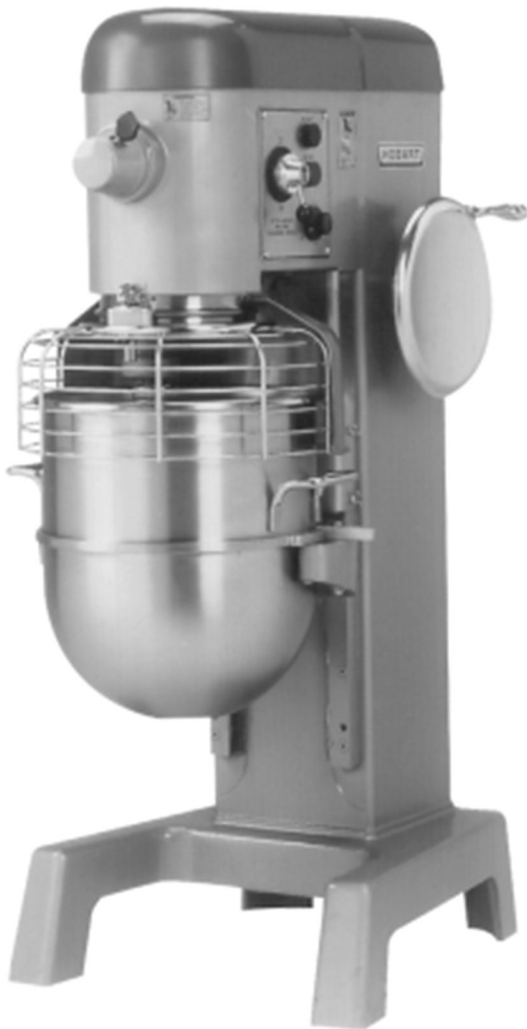




CATALOG OF REPLACEMENT PARTS

D340 SERIES MIXER

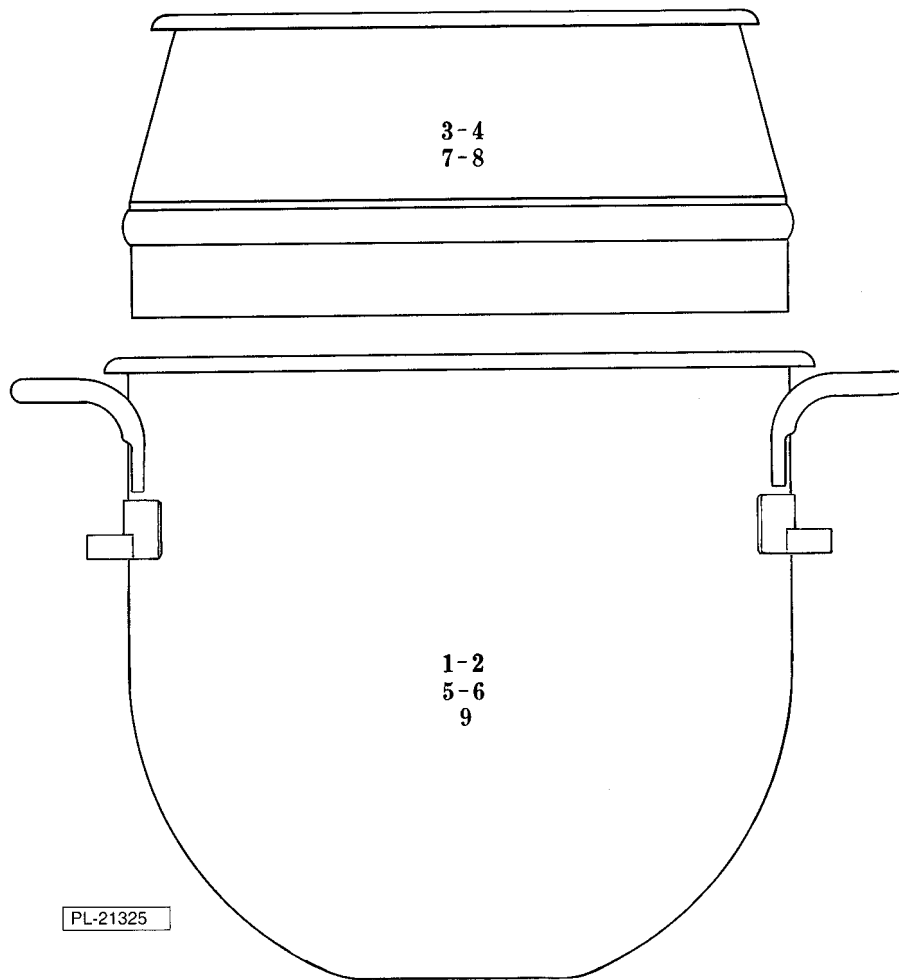


ML- 103221
ML- 103330

D340 (W/BRAKE)
D340 W/O BRAK

Table of Contents

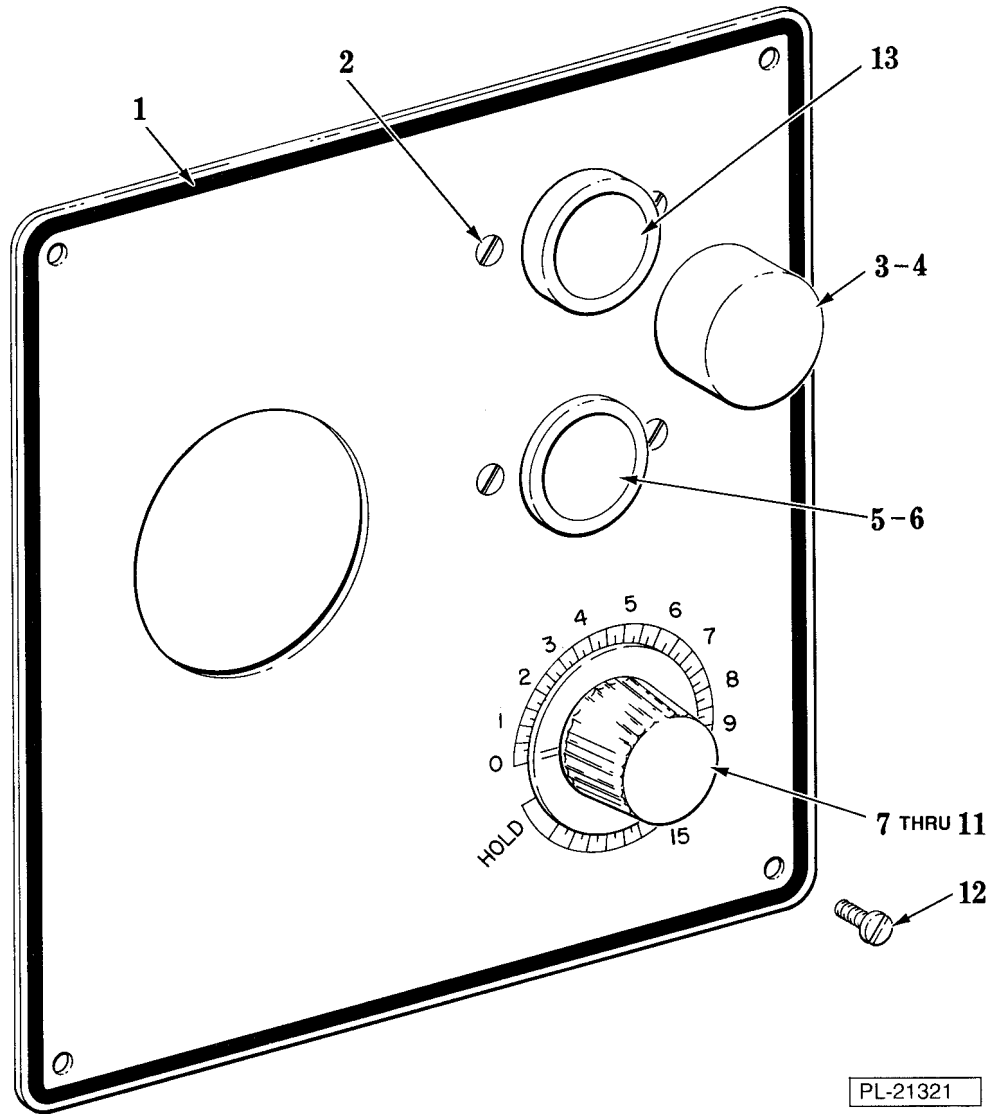
5	BOWL
7	TIMER, CONTROL & SWITCH UNIT
9	ELECTRICAL COMPONENT PANEL - 1 PHASE
11	ELECTRICAL COMPONENT PANEL - 3 PHASE
13	BASE AND PEDESTAL
15	BOWL SUPPORT AND LIFT UNIT
17	TRANSMISSION CASE
19	SHIFTER UNIT
21	BRAKE UNIT (ML-104484)
23	MOTOR PARTS - 1 PHASE
25	MOTOR PARTS - 3 PHASE
27	TRANSMISSION
29	PLANETARY AND ATTACHMENT HUB
31	AGITATORS



BOWL

BOWL

ILLUS.	PART NO.	NAME OF PART	AMT.
PL-21325			
1	295649	Bowl - 30 Qt.(Tinned)(Packaged).....	1
2	295646	Bowl - 20 Qt.(Not Shown)(Tinned)(Packaged).....	1
3	295277	Splash Cover Assy.(30 Qt.)(Tinned)(Packaged).....	1
4	275452	Splash Cover Assy.(20 Qt.)(Tinned)(Packaged).....	1
5	437410	Bowl - 30 Qt.(SST)(Packaged).....	1
6	295647	Bowl - 20 Qt.(SST)(Packaged).....	1
7	295279	Splash Cover Assy.(30 Qt.)(SST)(Packaged).....	1
8	275453	Splash Cover Assy.(20 Qt.)(SST)(Packaged).....	1
9	315245	Bowl - 40 Qt.(SST)(Packaged).....	1

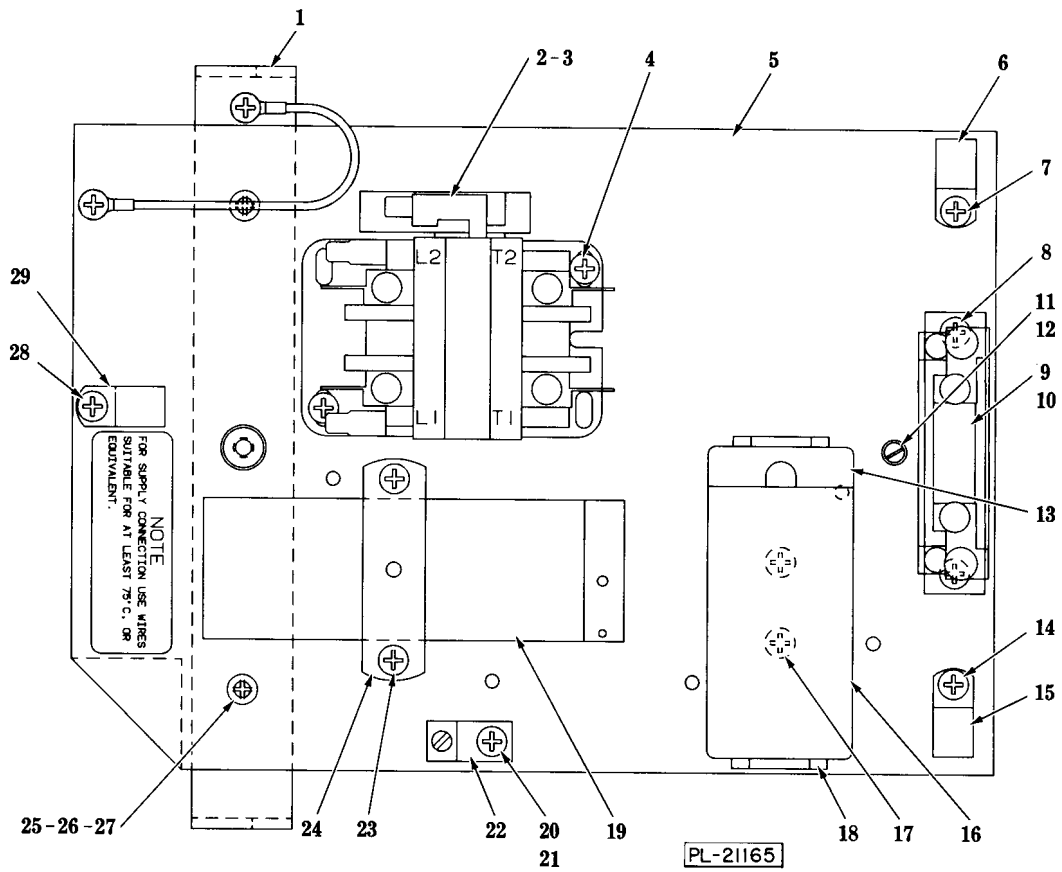


PL-21321

TIMER, CONTROL & SWITCH UNIT

TIMER, CONTROL & SWITCH UNIT

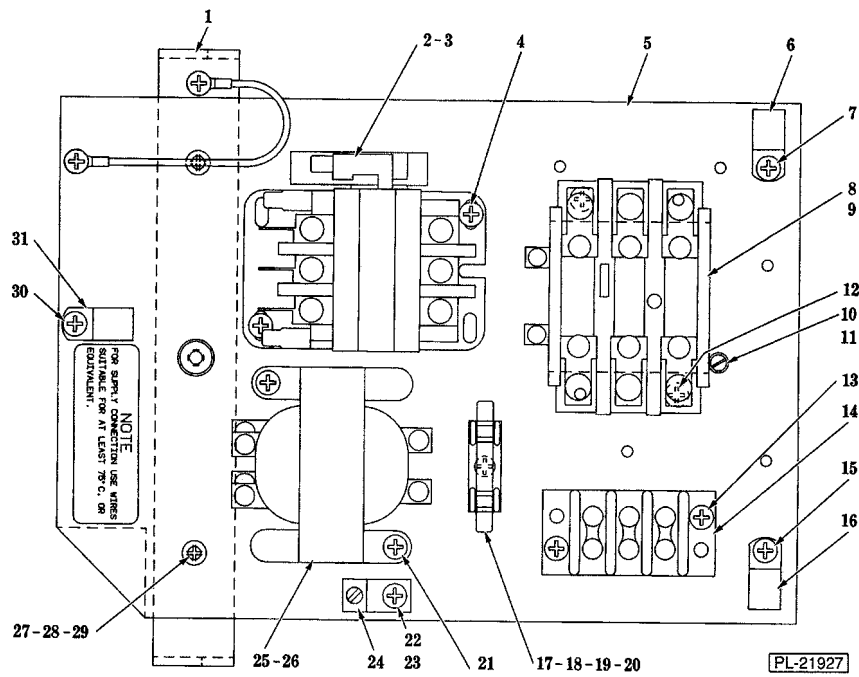
ILLUS.	PART NO.	NAME OF PART	AMT.
PL-21321			
1	271312	Plate - Switch & Timer.....	1
2	SC-13-12	Mach. Screw 6-32 x 1/4 Flat Hd.....	4
3	102467-1	Cap - Push Button (Start)(Black).....	1
4	102467-2	Cap - Push Button (Stop)(Red).....	1
5	87711-183-2	Switch - Push Button (N.C.)(ML-103330).....	1
6	87711-183-3	Switch - Push Button (N.C.)(ML-103221).....	1
7	291748	Knob - Timer.....	1
8	294650-4-1	Timer Assy.(115 V., 60 Hz.).....	1
9	294650-4-2	Timer Assy (200/300 V., 60 Hz.).....	1
10	SC-13-7	Mach. Screw 5-40 x 1/4 Flat Hd.....	2
11	271313	Insulator - Timer.....	1
12	SD-24-1	Self-Tapping Screw 10-24 x 3/8 Pan Hd., Type TT.....	4
13	87711-183-1	Switch - Push Button (N.O.).....	1
	65890-85	Line Splice (Use W/ Item 8 or 9).....	1



ELECTRICAL COMPONENT PANEL - 1 PHASE

ELECTRICAL COMPONENT PANEL - 1 PHASE

ILLUS.	PART NO.	NAME OF PART	AMT.
	PL-21165D		
1	274031	Bracket - Support (Component Panel).....	1
2	274051	Contactora (115 V., 60 Hz., 1 Ph.) (30 Amp.) (2 Pole).....	1
3	274050	Contactora (208/240 V., 60 Hz., 1 Ph.) (30 Amp.) (2 Pole).....	1
4	SD-15-20	Self-Tapping Screw 10-32 x 3/8 Phil. Pan Hd., Type TT.....	2
5	274027	Panel - Component Mounting.....	1
6	78752-9	Clamp - Cable.....	1
7	SD-15-20	Self-Tapping Screw 10-32 x 3/8 Phil. Pan Hd., Type TT.....	1
8	SD-15-20	Self-Tapping Screw 10-32 x 3/8 Phil. Pan Hd., Type TT.....	2
9	88196-6-1	Relay - Thermal Overload (1 Ph.).....	1
11	SC-60-3	Mach. Screw 10-24 x 3/4 Rd. Hd.....	1
12	WL-7-12	Lock Washer 10 Ext. "Shakeproof".....	1
13	70486-2	Cap - Capacitor End.....	1
14	SD-15-20	Self-Tapping Screw 10-32 x 3/8 Phil. Pan Hd., Type TT.....	1
15	78752-9	Clamp - Cable.....	1
16	70487-6	Capacitor (Motor Start).....	1
17	SD-29-6	Self-Tapping Screw 10-24 x 1/2 Phil. Flat Hd., Type F.....	2
18	66621-1	Bracket - Capacitor (Motor Start).....	1
19	274034	Capacitor (Motor Run).....	1
20	SD-15-20	Self-Tapping Screw 10-32 x 3/8 Phil. Pan Hd., Type TT.....	1
21	WL-7-12	Lock Washer 10 Ext. "Shakeproof".....	2
22	118544-1	Lug - Solderless (Grounding).....	1
23	SD-15-20	Self-Tapping Screw 10-32 x 3/8 Phil. Pan Hd., Type TT.....	2
24	274032	Bracket - Capacitor (Motor Run).....	1
25	274033	Nut - Well (Component Bracket).....	2
26	SC-60-85	Mach. Screw 10-24 x 1 Rd. Hd.....	2
27	WL-7-12	Lock Washer 10 Ext. "Shakeproof".....	2
28	SD-15-20	Self-Tapping Screw 10-32 x 3/8 Phil. Pan Hd., Type TT.....	1
29	78752-9	Clamp - Cable.....	1
	113703	Cable Tie.....	AR

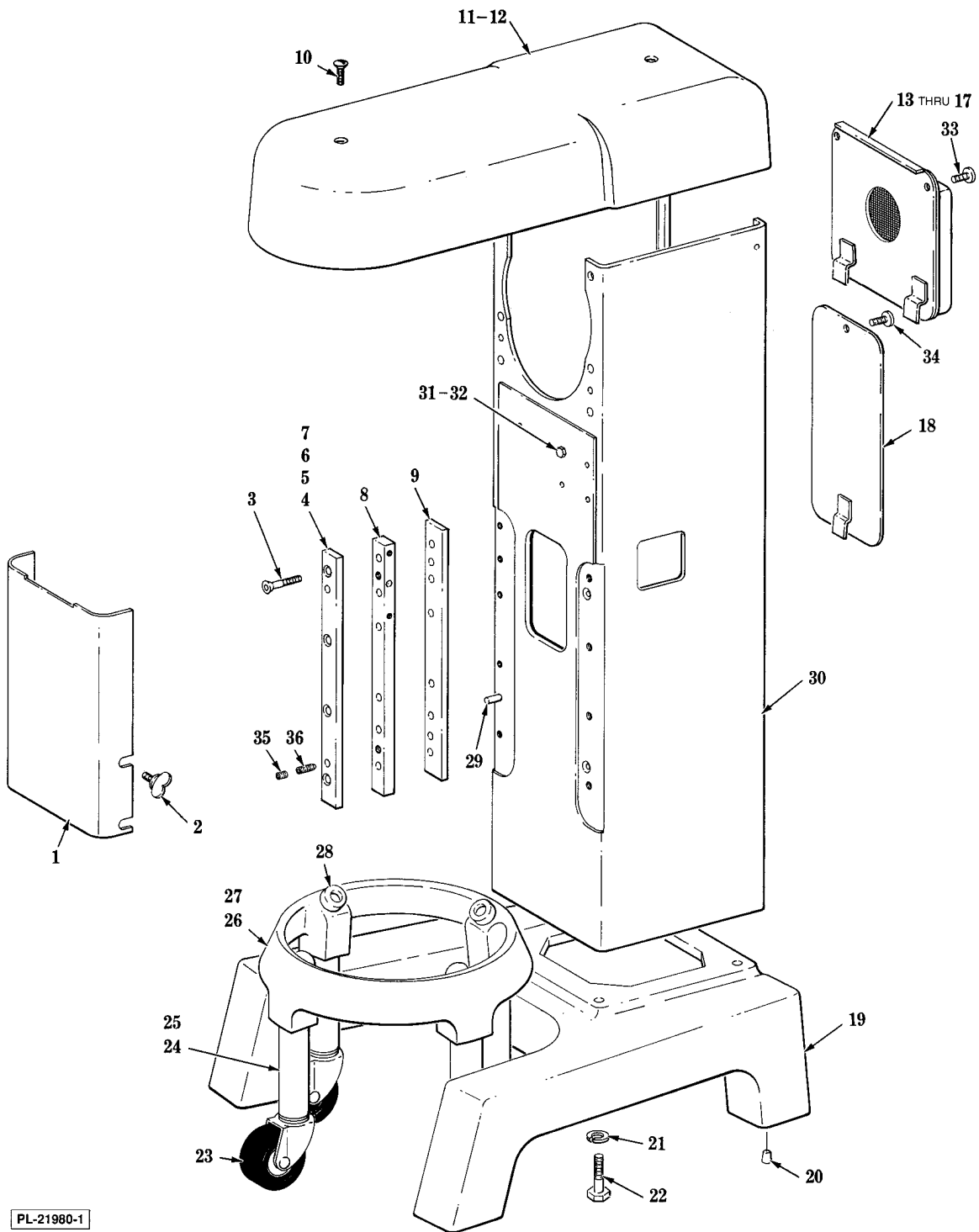


ELECTRICAL COMPONENT PANEL - 3 PHASE

ELECTRICAL COMPONENT PANEL - 3 PHASE

ILLUS.	PART NO.	NAME OF PART	AMT.
	PL-21927D		
1	274031	Bracket - Support (Component Panel).....	1
2	87713-80-1	Contact (208/240 V. 60 Hz. 3 Ph.)(30 Amp.)(3 Pole).....	1
3	87713-80-2	Contact (480 V. 60 Hz. 3 Ph.)(30 Amp.)(3 Pole).....	1
4	SD-15-20	Self-Tapping Screw 10-32 x 3/8 Phil Pan Hd., Type TT.....	2
5	274027	Panel - Component Mounting.....	1
6	78752-9	Clamp - Cable.....	1
7	SD-15-20	Self-Tapping Screw 10-32 x 3/8 Phil Pan Hd., Type TT.....	1
8	88196-5-1	Relay - Thermal Overload (3 PH.).....	1
10	SC-60-3	Mach. Screw 10-24 x 3/4 Rd. Hd.....	1
11	WL-7-12	Lockwasher 10 External Shakeproof.....	1
12	SD-15-20	Self-Tapping Screw 10-32 x 3/8 Phil Pan Hd., Type TT.....	2
13	SD-33-72	Self-Tapping Screw 10-24 x 7/8 Phil Pan Hd., Type TT.....	2
14	271336	Terminal Block.....	1
15	SD-15-20	Self-Tapping Screw 10-32 x 3/8 Phil Pan Hd., Type TT.....	1
16	78752-9	Clamp - Cable.....	1
*17	294436-3	Block - Fuse.....	1
*18	FE-17-3	Fuse (2AMP.)(480/60/3)(ML-104484).....	1
*19	FE-9-25	Fuse (1/2 Amp.)(480/60/3)(ML-104483).....	1
*20	SD-15-38	Self-Tapping Screw 6-32 x 3/8 Phil Pan Hd., Type TT.....	1
*21	SD-15-20	Self-Tapping Screw 10-32 x 3/8 Phil Pan Hd., Type TT.....	2
22	SD-15-20	Self-Tapping Screw 10-32 x 3/8 Phil Pan Hd., Type TT.....	1
23	WL-7-12	Lockwasher 10 External Shakeproof.....	2
24	118544-1	Lug - Solderless.....	1
*25	101935	Transformer (480/60/3) (ML-104483).....	1
*26	436960	NLA - Obsolete--Transformer (480/60/3)(ML-104484).....	1
27	274033	Nut - Well (Component Bracket).....	2
28	SC-60-85	Mach. Screw 10-24 x 1 Rd. Hd.....	2
29	WL-7-12	Lockwasher 10 External Shakeproof.....	2
30	SD-15-20	Self-Tapping Screw 10-32 x 3/8 Phil Pan Hd., Type TT.....	1
31	78752-9	Clamp - Cable.....	1
	113703	Cable Tie.....	AR

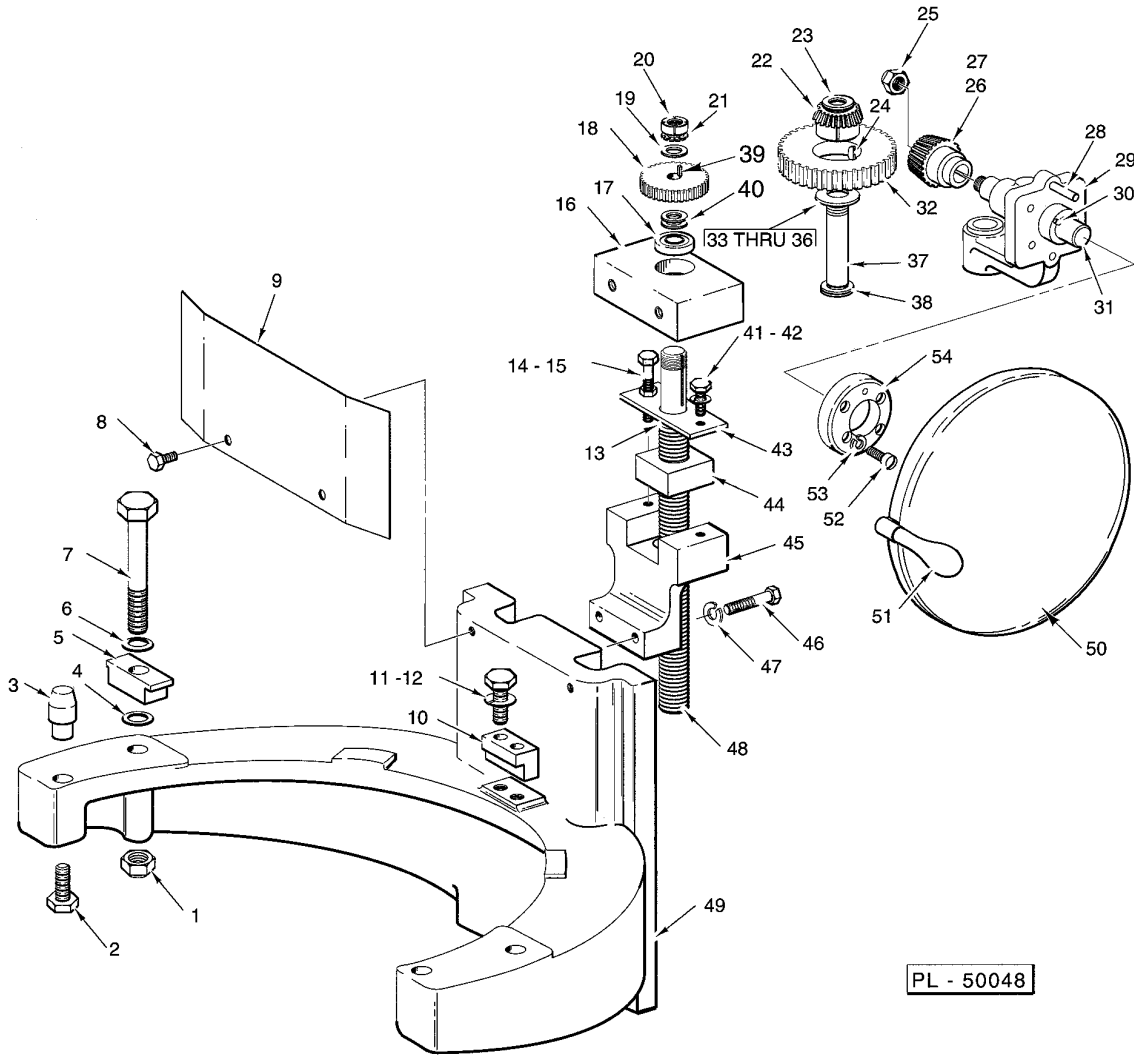
* Above 250V.Machines



BASE AND PEDESTAL

BASE AND PEDESTAL

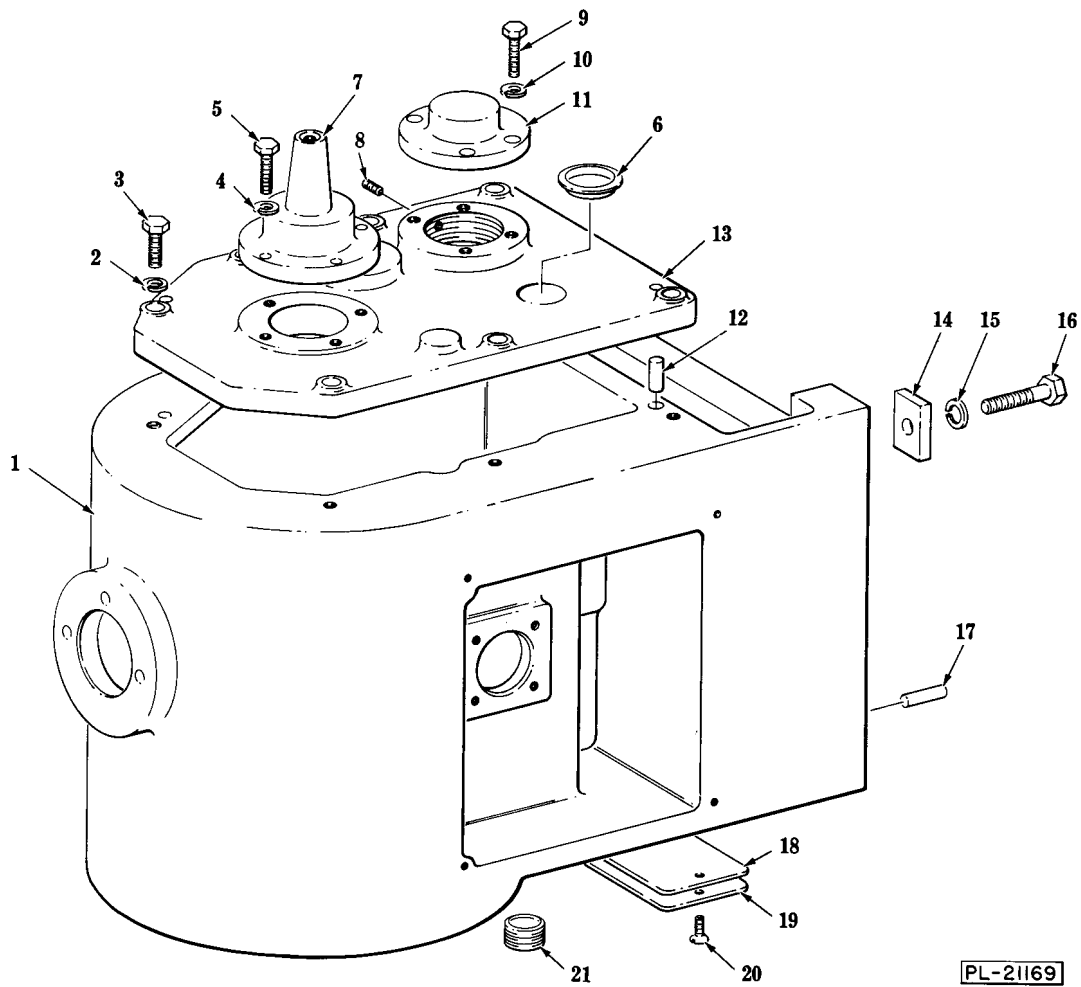
ILLUS.	PART NO.	NAME OF PART	AMT.
PL-21980-1			
1	271258	Cover - Bowl Support (Outer).....	1
2	70641-1	Thumb Screw.....	4
3	SC-61-6	Cap Screw 5/16-18 x 1 3/4 Flat Hd.....	10
4	435267	Gib - Upper.....	2
5	435264-1	Shim - Gib (.003 Thk.).....	AR
6	435264-2	Shim - Gib (.005 Thk.).....	AR
7	435264-3	Shim - Gib (.010 Thk.).....	AR
8	435265	Gib - Center.....	2
9	435266	Gib - Lower.....	2
10	SC-23-19	Mach. Screw 1/4-20 x 3/4 Oval Hd.....	2
11	274038	Cover - Top Assy.(Incls.item 12).....	1
12	123687-7	Gasket.....	1
13	435230	NLA - Obsolete--Vent - Air Intake (1 Phase)(Mach. ML-103221).....	1
14	435270	Gasket-Air (Used With item 13).....	1
15	274668	Vent - Air Intake (1 Phase)(Mach. ML-103330)(Not Shown).....	1
16	435236	Vent - Air Intake (3 Phase)(Mach. ML-103221)(Not Shown).....	1
17	271300-1	Vent - Air Intake (3 Phase)(Mach. ML-103330)(Not Shown).....	1
18	271299-1	Cover - Lift Mechanism.....	1
19	271227-2-2	Base Assy.....	1
20	110717-3	Plug - Base Assy (Contains Four (4) Plugs in a Bag).....	1
21	WL-4-11	Lockwasher 1/2 Medium.....	4
22	SC-120-28	Cap Screw 1/2-13 x 2 Hex Hd.....	4
23	87668-2	Caster.....	4
24	70590-3	Leg (2 7/8 Long)(40 Qt.).....	4
25	70590-1	Leg(6 Long)(30 Qt.).....	1
26	315015	Bowl Truck (30 Qt.)(Incls.items 23,25 & 28)(Packaged).....	1
27	315246	Bowl Truck (40 Qt.)(Incls.items 23,24 & 28)(Packaged).....	1
28	18682-1	Bumper.....	4
29	11800-118	Dowel.....	2
30	435263-2	NLA - Obsolete--Pedestal.....	1
31	SC-36-26	Cap Screw 5/16-18 x 7/8 Hex Hd.....	2
32	WL-3-41	Lockwasher 5/16 Light.....	2
33	SC-53-41	Mach. Screw 1/4-20 x 1/2 Truss Hd. SST.....	1
34	SC-53-41	Mach. Screw 1/4-20 x 1/2 Truss Hd. SST.....	1
35	SC-47-30	Set Screw 5/16-18 X 5/16 Hdls., Flat Pt.....	2
36	SC-112-65	Set Screw 5/16-18 x 3/4 Hdls., Cone Pt.....	2



BOWL SUPPORT AND LIFT UNIT

BOWL SUPPORT AND LIFT UNIT

ILLUS. PL-50048	PART NO.	NAME OF PART	AMT.
1	NS-32-13	Lock Nut 5/16-18 "Flexloc".....	2
2	SC-37-75	Cap Screw 5/16-18 x 3/4 Hex Hd.....	2
3	70411	Pin - Bowl Locating.....	2
4	WS-4-18	Washer.....	2
5	70057	Clamp - Bowl.....	2
6	70087	Washer - Spring.....	2
7	SC-62-28	Cap Screw 5/16-18 x 3 1/2 Hex Hd.....	2
8	SC-68-14	Mach. Screw 8-32 x 3/8 Hex Hd.....	2
9	435262	Cover - Bowl Support.....	1
10	70044	Retainer - Bowl.....	1
11	SC-36-9	Cap Screw 1/4-20 x 1 1/4 Hex Hd.....	2
12	WL-6-16	Lockwasher 1/4 Light.....	2
13	WS-10-17	Washer.....	1
14	NS-17-14	Jam Nut 3/8-16.....	1
15	122925-2	Screw - Stop.....	1
16	435252-2	Bearing - Bowl Lift Screw.....	1
17	BB-5-30	Ball Bearing - N.D#Z 99503.....	1
18	24193	Gear - Bowl Lift Screw (31T).....	1
19	WS-10-17	Washer.....	1
20	NS-34-4	Lock Nut N.D.#N-03.....	1
21	WL-12-4	Lockwasher N.D.#W-03.....	1
22	24195	Gear - Bowl Lift Miter (23T).....	1
23	RR-5-2	Retaining Ring (Spirolox).....	1
24	KW-3-3	Key - Woodruff 1/8 x 1/2 Lg.....	1
25	NS-32-29	Stop Nut 1/2-20 "Flexloc".....	1
26	24196	NLA - Obsolete--Pinion - Bowl Lift Miter (23T).....	1
27	12430-41	Key 3/16 Sq. x 11/16 Lg.....	1
28	RP-2-6	Roll Pin 1/4 Dia. x 1 Lg.....	2
29	89684	Handwheel Bracket & Bearing Assy.....	1
30	PG-7-19	Groov Pin - Type E, 1/4 x 2 3/4.....	1
31	24191	Shaft - Hand Wheel.....	1
32	24192	Gear - Bowl Lift (41T).....	1
33	24614-3	Washer - Miter Gear Spacer (.086" Thk.).....	AR
34	24614-4	Washer - Miter Gear Spacer (.081" thk.).....	AR
35	24614-5	Washer - Miter Gear Spacer (.076" thk.).....	AR
36	24614-6	Washer - Miter Gear Spacer (.071" thk.).....	AR
37	24194	Shaft - Miter Gear.....	1
38	RR-5-2	Retaining Ring (Spirolox).....	1
39	12430-43	Key 3/16 Sq. x 7/16 Lg.....	1
40	WS-10-17	Washer.....	2
41	SC-36-53	Cap Screw 3/8-16 x 7/8 Hex Hd.....	1
42	WL-4-2	Lockwasher 3/8 Light.....	1
43	24201	Retainer - Bowl Lift Nut.....	1
44	24198	Nut - Bowl Lift Screw.....	1
45	435268-2	Lift - Bowl.....	1
46	SC-37-69	Cap Screw 5/16-18 x 1 3/4 Hex Hd.....	2
47	WL-3-41	Lockwasher 5/16 Light.....	2
48	290052-1	Screw - Bowl Lift.....	1
49	435269-2	Support - Bowl.....	1
50	00-435235	Handwheel & Handle Assy. (Incls. Item 56).....	1
51	24765	Handle - Bowl Lift Handwheel.....	1
52	SC-11-95	Mach. Screw 5/16-18 x 1 Fil. Hd.....	4
53	WL-3-48	Lockwasher 5/16 Hi. Collar.....	4
54	24609-1	Ring - Handwheel Brkt. Clamping.....	1

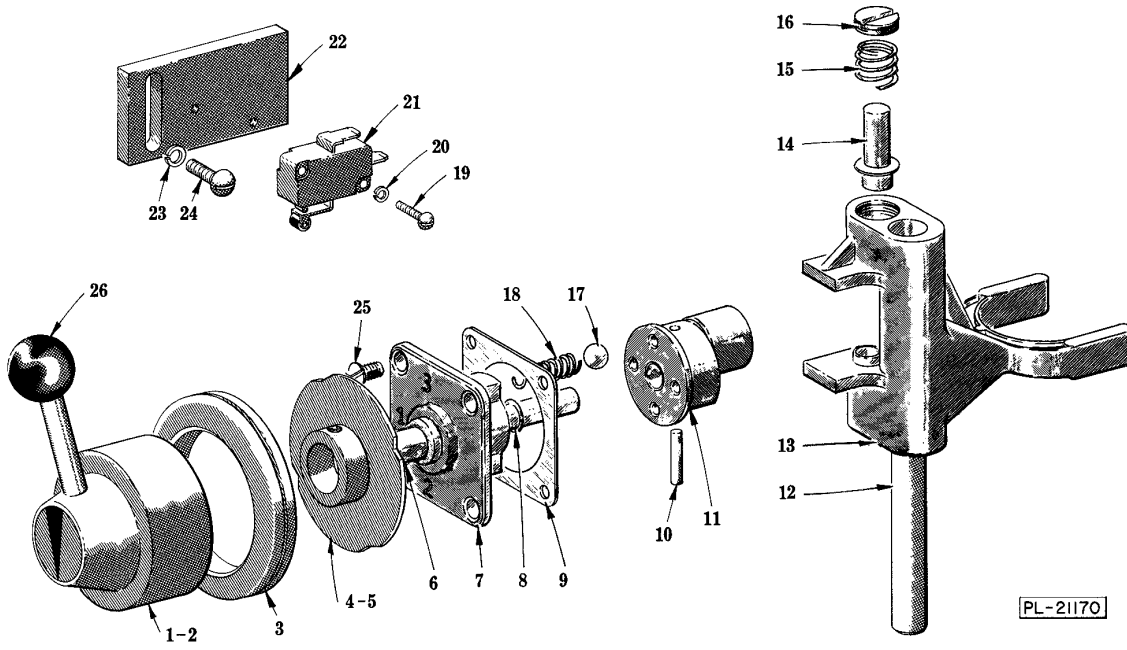


PL-21169

TRANSMISSION CASE

TRANSMISSION CASE

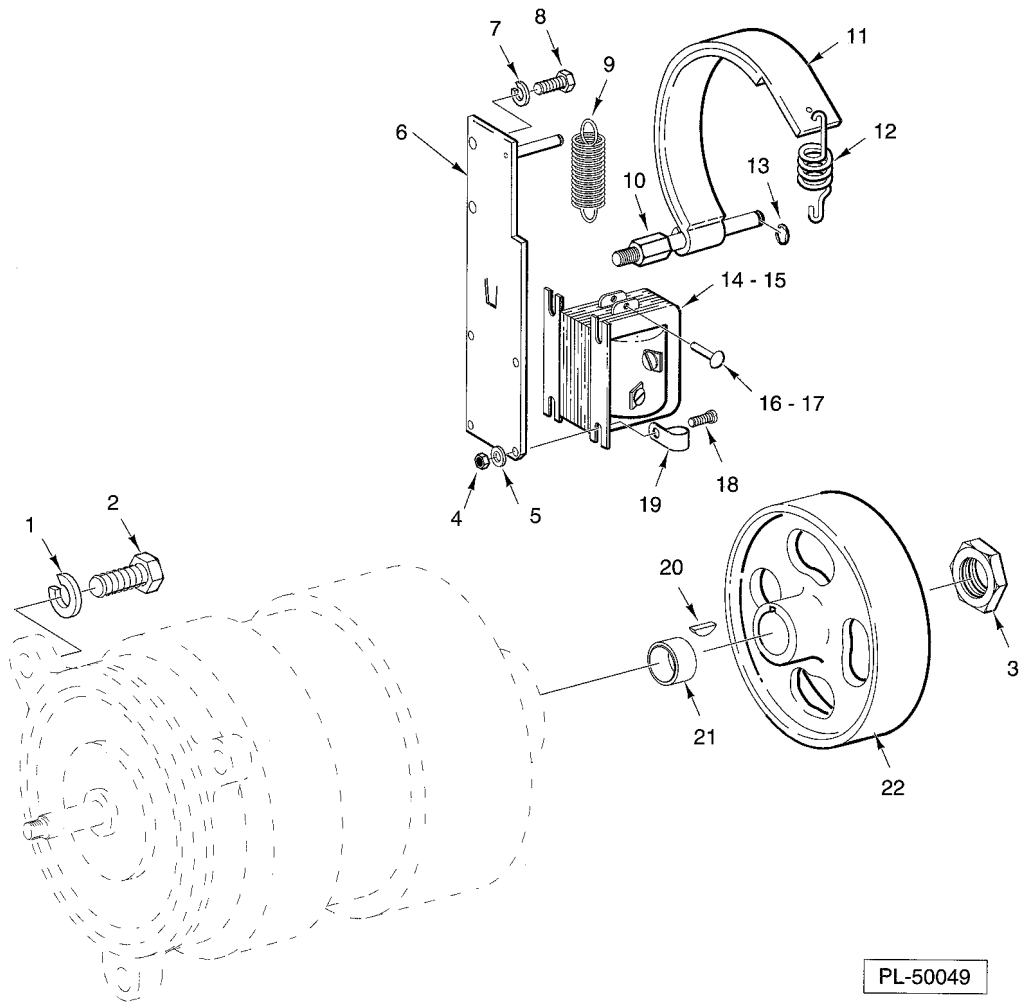
ILLUS.	PART NO.	NAME OF PART	AMT.
	PL-21169D		
1	271206-2-2	NLA - Obsolete--Case - Transmission.....	1
2	WL-3-44	Lock Washer 5/16 Medium.....	7
3	SC-036-27	Cap Screw 5/16-18 X 1 Hex Hd.....	7
4	WL-3-37	Lock Washer 1/4 Medium.....	4
5	SC-36-6	Cap Screw 1/4-20 x 1 Hex Hd.....	4
6	64871	Plug - Friction.....	1
7	271222-2	Retainer - Bearing (Planetary Shaft).....	1
8	SC-47-70	Set Screw 10-32 x 3/8 Soc. Hd., Cup Pt.....	2
9	SC-36-6	Cap Screw 1/4-20 x 1 Hex Hd.....	4
10	WL-3-37	Lock Washer 1/4 Medium.....	4
11	271225-2	Retainer - Bearing (Worm Gear Shaft).....	1
12	11800-249	Dowel.....	2
13	271218-2-2	Transmission Case Cover Assy.....	1
14	271340	Bar - Reinforcing.....	6
15	WL-4-6	Lock Washer 3/8 Medium.....	9
16	SC-62-46	Cap Screw 3/8-16 x 1 1/2 Hex Hd.....	9
17	11800-118	Dowel.....	2
18	271294	Gasket - Transmission Case Cover Plate.....	1
19	271293-1	NLA - Obsolete--Plate - Transmission Case Cover.....	1
20	SC-14-76	Mach. Screw 10-24 x 3/8 Flat Hd.....	2
21	FP-85-17	Plug 5/8 Hex Socket Pipe.....	1
	PL-3-46	Plug 1 3/4 Expansion (Under Center Shaft in Trans. Case) (Not Shown).....	1
	68288	Shim (Between Trans. Case & Pedestal) (Not Shown).....	AR



SHIFTER UNIT

SHIFTER UNIT

ILLUS. PL-21170D	PART NO.	NAME OF PART	AMT.
1	SC-47-17	Set Screw 1/4-20 x 3/4 Soc. Hd., Cup Pt.....	1
2	291272	Shifter Handle Assy. (Incls. items 1 & 26).....	1
3	110961	Grommet - Shifter Handle.....	1
4	271276	Cam - Interlock Assy.....	1
5	SC-47-70	Set Screw 10-32 x 3/8 Soc. Hd., Cup Pt.....	1
6	271303	Shaft - Shifter.....	1
7	290115-2	Plate - Index.....	1
8	67500-44	"O" Ring.....	1
9	23946	Gasket - Index Plate.....	1
10	PS-3-8	Spirol Pin 1/8 Dia. x 3/4 Lg.....	1
11	114506	Cam - Gear Shifter.....	1
12	271291	Rod - Shifter Guide.....	1
13	271245-2	Yoke - Shifter.....	1
14	12733	Plunger - Shifter Yoke.....	2
15	12734	Spring - Shifter Yoke.....	2
16	12732	Retainer - Shifter Yoke Spring.....	2
17	BA-2-9	Ball 1/4 Dia.....	2
18	111170	Spring - Detent.....	2
19	SC-21-5	Mach. Screw 4-40 x 5/8 Rd. Hd.....	2
20	WL-3-1	Lock Washer 4 Light.....	2
21	271315	Switch - Interlock (10 Amp., 250 VAC.).....	1
22	271277	Plate - Switch Mounting.....	1
23	WL-3-20	Lock Washer 10 Light.....	2
24	SC-9-25	Mach. Screw 10-24 x 5/8 Rd. Hd.....	2
25	SC-13-46	Mach. Screw 10-24 x 1/2 Flat Hd.....	4
26	70085	Knob - Shifter Handle Ball.....	1

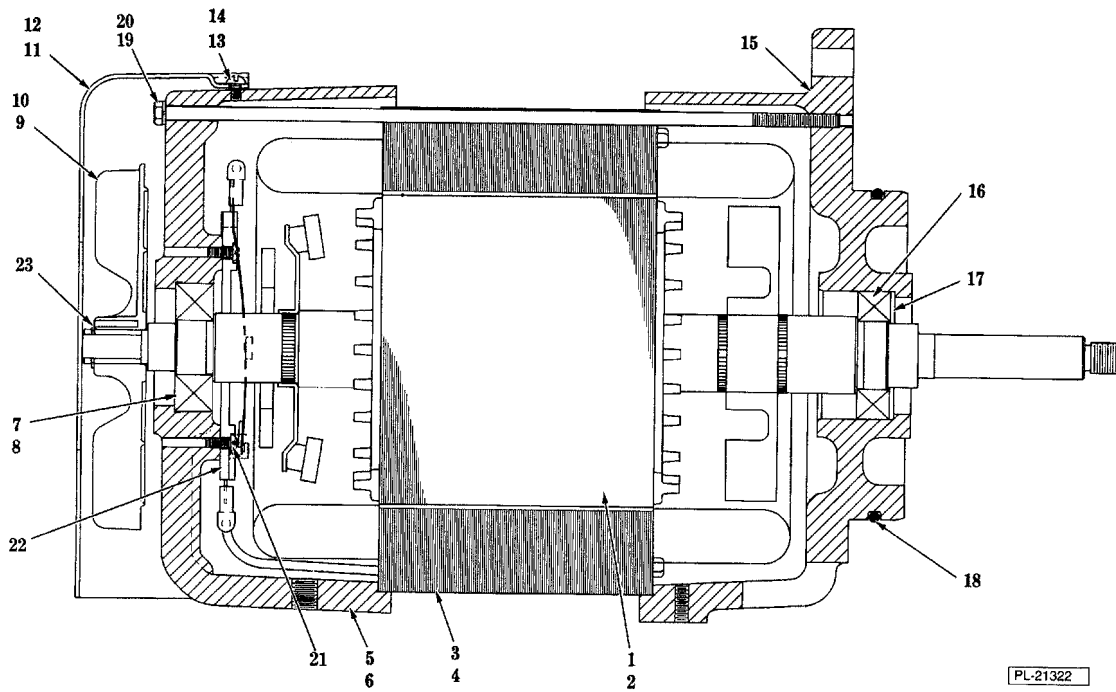


PL-50049

BRAKE UNIT (ML-104484)

BRAKE UNIT (ML-104484)

ILLUS.	PART NO.	NAME OF PART	AMT.
1	WL-4-6	Lockwasher 3/8 Medium.....	3
2	SC-62-22	Cap Screw 3/8-16 x 1 1/4 Hex Hd.....	3
3	6566	Locknut.....	2
4	NS-37-6	Lock Nut 8-32 "Nylok".....	4
5	WS-19-10	Washer.....	4
6	435250	NLA - Obsolete--Plate - Solenoid.....	1
7	WL-6-16	Lockwasher 1/4 Light.....	2
8	SC-110-12	Cap Screw 1/4-20 x 5/8 Hex Hd.....	2
9	271292	Spring - Brake.....	1
10	435247	Pivot - Brake Band.....	1
11	24776	Brake Band Assy.....	1
12	24775	Spring - Motor Brake.....	1
13	RR-6-22	Retaining Ring.....	1
14	23926-7	Solenoid - Brake (120/240 V., 1 PH)(240/480 V., 3PH)(60 Hz.).....	1
15	23926-1	Solenoid - Brake (208 V., 60 Hz., 1 & 3 PH).....	1
16	63201	Pin - Solenoid Clevis.....	1
17	PC-3-23	Cotter Pin 1/16 X 1/2.....	1
18	SC-9-61	Mach. Screw 8-32 x 1/2 Rd. Hd.....	4
19	24167-1	Clamp - Lead Support.....	1
20	KW-3-5	Key - Woodruff #405.....	1
21	435251	Bushing - Brake Drum.....	1
22	60777	Brake Drum.....	1

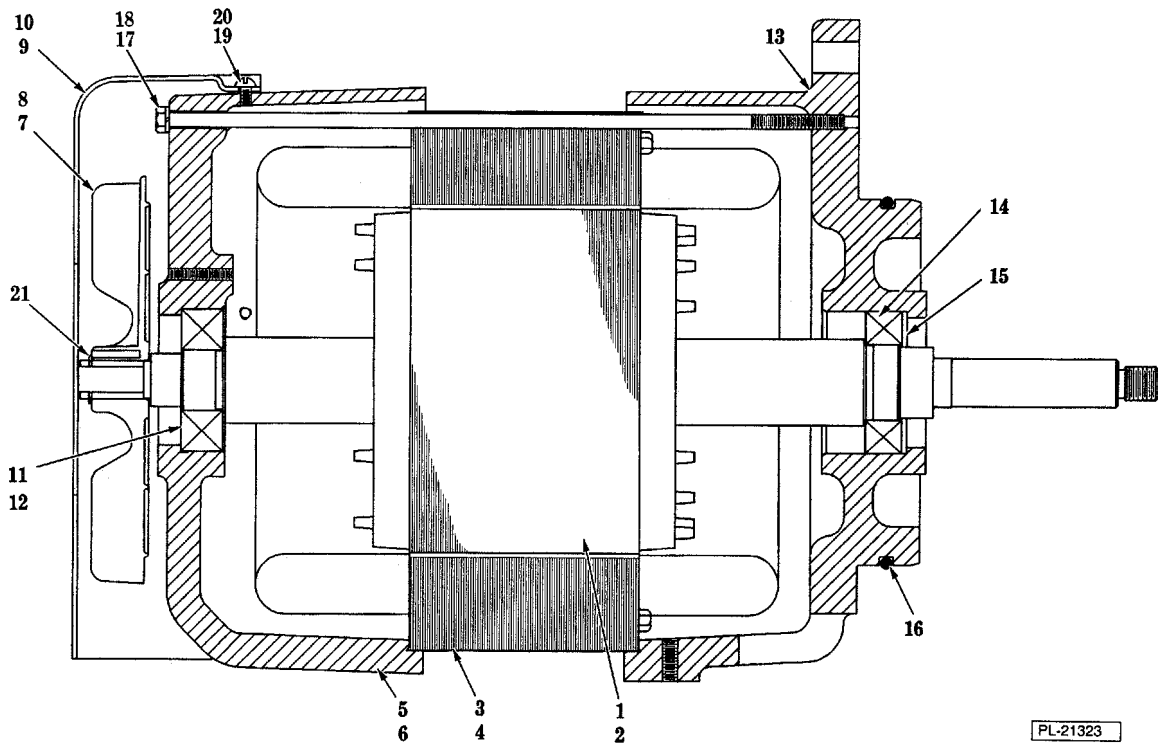


MOTOR PARTS - 1 PHASE

delete

MOTOR PARTS - 1 PHASE

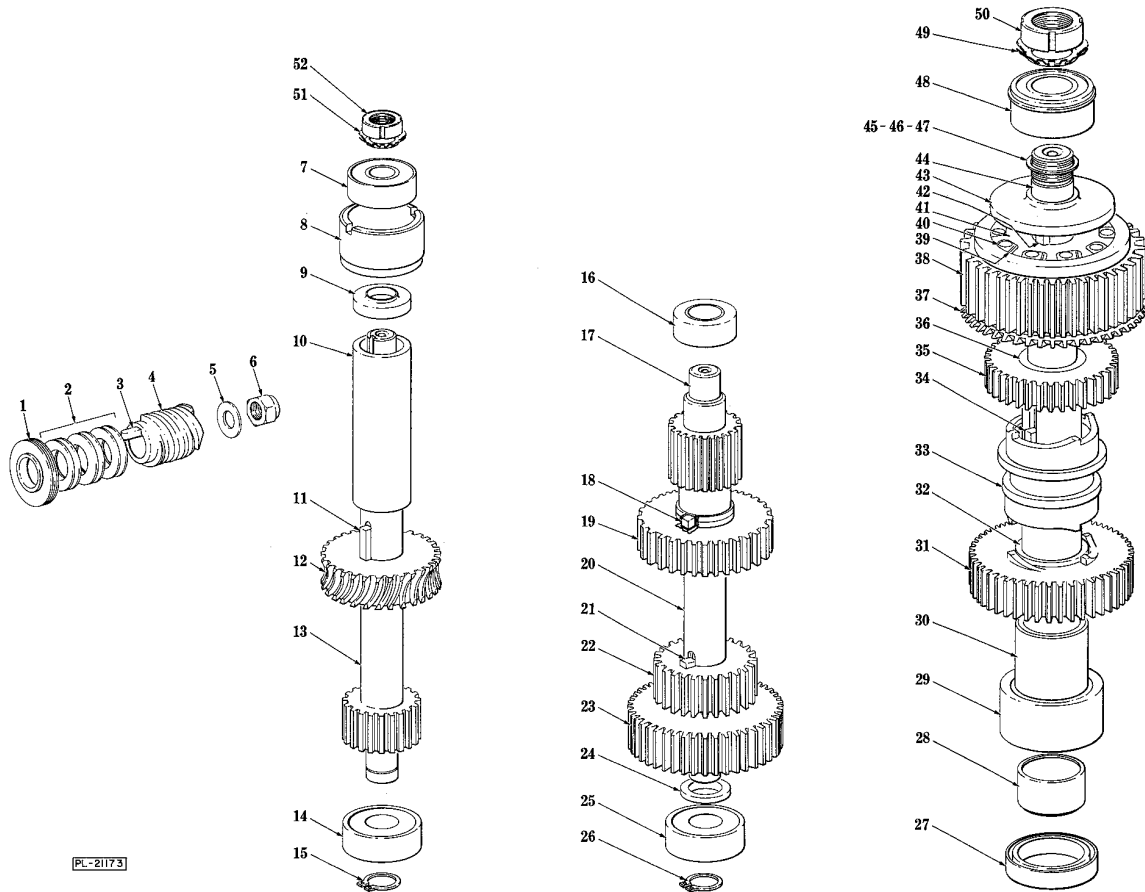
ILLUS.	PART NO.	NAME OF PART	AMT.
PL-21322D			
1	22275-277	NLA - Obsolete--Rotor Assy. (1 Phase) (ML-104484).....	1
2	22275-276	Rotor Assy. (1 Phase) (ML-104483).....	1
3	65477-162-1	Stator Assy (120/240 V., 60 Hz.).....	1
4	65477-162-2	Stator Assy (208 V., 60 Hz.).....	1
5	435867-3	Housing - Motor (Rear) (ML-104484).....	1
6	435867-2	NLA - Obsolete--Housing - Motor (Rear) (ML-104483).....	1
7	BB-17-39	Ball Bearing MRC 205 SZZ-01-ST-A-92-C (ML-104484).....	1
8	BB-5-34	Ball Bearing MRC 204 SZZ-01-ST-E-92-C (ML-104483).....	1
9	274646-2	Fan - Ventilating (ML-104484).....	1
10	292466-1	Fan - Ventilating (ML-104483).....	1
11	435869	Shroud - Motor (ML-104484) (Not Shown).....	1
12	435868	NLA - Obsolete--Shroud - Motor (ML-104483).....	1
13	SC-18-34	Mach. Screw 8-32 x 1/2 Phil Pan Hd.....	3
14	WL-3-12	Lockwasher 8 Medium.....	3
15	271254-2	Housing - Motor (Front).....	1
16	BB-15-8	Ball Bearing MRC 105KSZZ-01-ST-A-92-C.....	1
17	SL-5-4	Spring - Loading.....	2
18	OR-1-1	"O" Ring.....	1
19	271335-1	NLA - Obsolete--Bolt - Motor (Single Phase).....	4
20	WL-3-22	Lockwasher 10 Light.....	4
21	SC-9-49	Mach. Screw 6-32 x 3/8 Rd. Hd.....	2
22	121110	Switch - Starting (Stationary Part)(1 Ph.).....	1
23	RR-1 1-5	Retaining Ring.....	1
	275152	Shim.....	AR
	435256-1	Motor (120/240V.,60Hz)(ML-103221)(Incls.items1,3,5,7,15,16,17&19 thru 22).....	1
	435256-2	Motor (208V.60Hz.)(ML-103221)(Incls.items1,4,6,7,15,16,17&19 thru 22).....	1
	ML-38945	Motor (Non-Braking Type) (ML-104483) (Specify Voltage).....	1



MOTOR PARTS - 3 PHASE

MOTOR PARTS - 3 PHASE

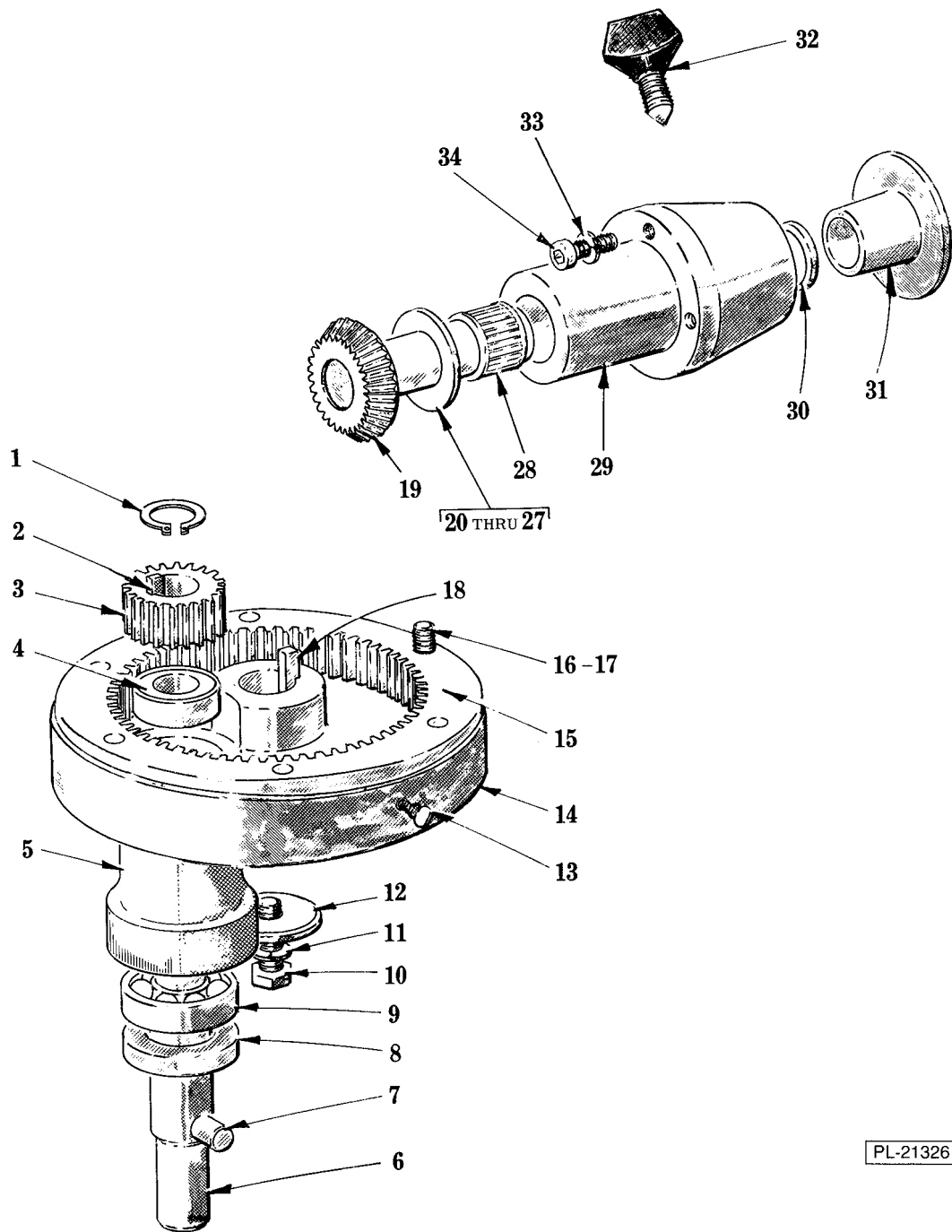
ILLUS. PL-21323D	PART NO.	NAME OF PART	AMT.
1	15747-313	Rotor Assy. (3 Phase)(ML-104484).....	1
2	15747-312	Rotor Assy. (3 Phase)(ML-104483).....	1
3	65478-184-1	Stator Assy (208 V., 60 Hz.).....	1
4	65478-184-2	NLA - Obsolete--Stator Assy (240/480 V., 60 Hz.).....	1
5	435867-3	Housing - Motor (Rear)(ML-104484).....	1
6	435867-2	NLA - Obsolete--Housing - Motor (Rear) (ML-104483).....	1
7	274646-2	Fan - Ventilating (ML-104484).....	1
8	292466-1	Fan - Ventilating (ML-104483).....	1
9	435869	Shroud - Motor (ML-104484)(Not Shown).....	1
10	435868	NLA - Obsolete--Shroud - Motor (ML-104483).....	1
11	BB-17-39	Ball Bearing MRC 205 SZZ-01-ST-A-92-C (ML-104484).....	1
12	BB-5-34	Ball Bearing MRC 204 SZZ-01-ST-E-92-C (ML-104483).....	1
13	271254-2	Housing - Motor (Front).....	1
14	BB-15-8	Ball Bearing MRC 105KSZZ-01-ST-A-92-C.....	1
15	SL-5-4	Spring - Loading.....	2
16	OR-1 -1	"O" Ring.....	1
17	271335-2	Bolt - Motor (3 Phase).....	4
18	WL-3-22	Lockwasher 10 Light.....	4
19	SC-18-34	Mach. Screw 8-32 x 1/2 Phil Pan Hd.....	3
20	WL-3-12	Lockwasher 8 Medium.....	3
21	RR-11-5	Retaining Ring.....	1
	275152	Shim.....	AR
	435255-1	Motor (208V.,60Hz.)(ML-103221)(Incls.items1,3,5,11,13,14,15,17 & 18).....	1
	435255-2	Motor (240/480V.,60Hz.)(ML-103221)(Incls.items1,4,5,11,13,14,15,17 & 18).....	1
	ML-38945	Motor (Non-Braking Type)(ML-104483)(Specify Voltage).....	1



TRANSMISSION

TRANSMISSION

ILLUS.	PART NO.	NAME OF PART	AMT.
PL-21173D			
1	271253	Deflector - Grease.....	1
2	77840	Washer - Belleville.....	6
3	12430-69	Key.....	1
4	271243	Worm (5T) (60 Hz.).....	1
5	WS-21-1	Washer.....	1
6	NS-32-23	Lock Nut 7/16-20 "Flexloc".....	1
7	BB-21-21	Ball Bearing - SKF62032ZNRJEM.....	1
8	271301	Sleeve - Worm Gear.....	1
9	271281	Spacer (Top of Worm Gear).....	1
10	271280	Spacer (Worm Gear).....	1
11	12430-151	Key.....	1
12	271244	Gear - Worm (29T) (60 Hz.).....	1
13	271242	Shaft - Worm Gear.....	1
14	BB-20-6	Ball Bearing - Fafnir 204KDFA51580.....	1
15	RR-4-7	Retaining Ring.....	1
16	BB-5-46	Ball Bearing - Fafnir 204KDDFS50545.....	1
17	271238	Shaft - Transmission.....	1
18	12430-138	Key.....	1
19	271239	Gear (36T).....	1
20	271282	Spacer.....	1
21	12430-152	Key.....	1
22	271240	Gear (27T).....	1
23	271241	Gear (44T).....	1
24	271283	Spacer - Lower Center Shaft.....	1
25	BB-20-6	Ball Bearing - Fafnir 204KDFA51580.....	1
26	RR-4-7	Retaining Ring.....	1
27	271341	Seal - Planetary Shaft.....	1
28	271224	NLA - Obsolete--Seal - Hub.....	1
29	BB-15-36	Ball Bearing - Hoover - NSK 6007 DDUCE1SRIS.....	1
30	271278	Spacer - Lower Planetary Shaft.....	1
31	271237	Gear - Lower Clutch (46T).....	1
32	271287	Bearing - Lower Clutch Gear.....	1
33	271226-2	Sleeve - Clutch.....	1
34	12430-169	Key.....	2
35	271236	Gear - Upper Clutch (33T).....	1
36	271285	Bearing - Upper Clutch Drive.....	1
37	271234	Gear - Bevel (45T).....	1
38	271233	Gear - Roller Clutch (55T).....	1
39	271289	Spring - Roller.....	10
40	271288	Roller - Clutch.....	10
41	271279	Sleeve - Drive.....	1
42	109070-28	Key.....	1
43	271286	Spacer - Planetary Shaft.....	1
44	271229	Planetary Shaft.....	1
45	WS-30-25	Washer (.002" Thk.).....	AR
46	WS-30-26	Washer (.003" Thk.).....	AR
47	WS-30-27	Washer (.010" Thk.).....	AR
48	BB-21-22	Ball Bearing - SKF 5205A2ZNR3.....	1
49	WL-12-6	Lock Washer N.D. #W-05.....	1
50	NS-34-6	Lock Nut Brg. N.D. #N-05.....	1
51	WL-12-4	Lock Washer N.D. #W-03.....	1
52	NS-34-4	Lock Nut N.D. #N-03.....	1
	274040	Planetary Shaft & Gear Assy. (incls. items 28 thru 32 & 44).....	1
	274039	Center Shaft Assy. (incls. items 16 thru 26).....	1



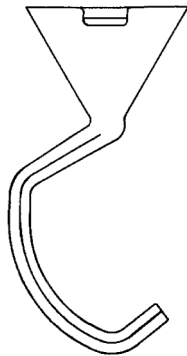
PL-21326

PLANETARY AND ATTACHMENT HUB

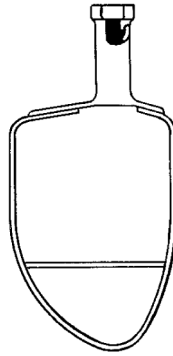
PLANETARY AND ATTACHMENT HUB

ILLUS. PL-21326	PART NO.	NAME OF PART	AMT.
1	RR-9-19	Retaining Ring.....	1
2	12430-180	Key 1/4 Sq. X 1 3/16 LG.....	1
3	435548	Pinion - Agitator Shaft (18T).....	1
4	BB-17-36	Ball Bearing-SKF #6205Z.....	1
5	271220-2-1	Planetary (Painted).....	1
6	435550	Agitator Shaft Assy (Incls.item 7).....	1
7	70019	Pin - Agitator.....	1
8	110335	Seal - Agitator Shaft.....	1
9	BB-17-36	Ball Bearing - SKF #6205Z.....	1
10	SC-62-58	Cap Screw 3/8-24 x 1 1/4 Hex Hd.....	1
11	WL-6-27	Lockwasher 3/8 Light.....	1
12	70047-1	Washer - Planetary.....	1
13	70641-11	Thumb Screw 8-32.....	2
14	68719	Cup - Planetary Drip.....	1
15	271250-2	Gear - Internal (59T).....	1
16	SC-89-19	Cap Screw 5/16-18 x 1 3/8 Soc. Hex Hd.....	6
17	WL-3-48	Lockwasher 5/16 Hi. Collar.....	6
18	12430-173	Key 1/4 Sq. x 2 1/4 Lg.....	1
19	271324	NLA - Obsolete--Attach. Drive Gear (34T) & Expan. Plug Assy.....	1
20	70045-2	Washer - Thrust (.119" Thk.).....	AR
21	70045-3	Washer - Thrust (.121" Thk.).....	AR
22	70045-4	Washer - Thrust (.123" Thk.).....	AR
23	70045-5	Washer - Thrust (.127" Thk.).....	AR
24	70045-1	Washer - Thrust (.125" Thk.).....	AR
25	70045-6	Washer - Thrust (.129" Thk.).....	AR
26	BN-5-9	Needle Bearing (Torrington TRB 1828).....	1
27	BN-5-10	Needle Bearing (Torrington NTA-1828).....	1
28	BN-2-12	Needle Bearing.....	2
29	70511-1	Attachment Hub & Bearings Assy.(Incls.item 28).....	1
30	70090	Seal - Attachment Hub.....	1
31	114824-1	Plug - Attachment Hub.....	1
32	108197-1	Thumb Screw.....	1
33	WL-3-43	Lockwasher 5/16 Light.....	3
34	SC-40-50	Cap Screw 5/16-18 x 2 1/4 Soc. Hd.....	3
	435551	NLA - Obsolete--Planetary Assy.(Incls. items 1 thru 6,8 & 9).....	1

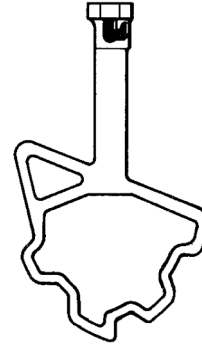
16 00-478596 Dough Arm - Spiral
PART NOT ILLUSTRATED



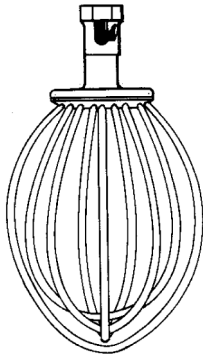
1, 2



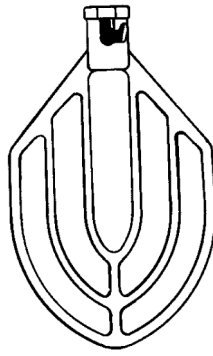
3, 4



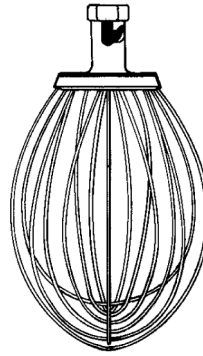
5, 6



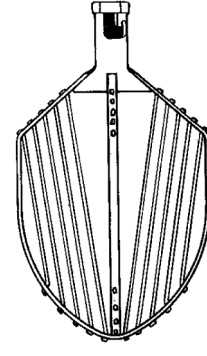
7



8, 9, 10, 11



12, 13



14, 15

PL-21207

AGITATORS

AGITATORS

ILLUS.	PART NO.	NAME OF PART	AMT.
PL-21207D			
1	00-295120	"E" Dough Arm (Alum.) (30 QT.).....	1
2	00-275465	"E" Dough Arm (Alum.) (20 QT.).....	1
3	00-295037	"P" Pastry Knife (Packaged) 30 Qt. ONLY "P" Pastry Knife (Packaged) (30 QT.).....	1
4	00-070764	NLA - Obsolete "P" Pastry Knife (20 QT.).....	1
5	00-010582-00001	NLA - Obsolete "S" Sweet Dough (Standard) (30 QT.).....	1
6	00-010582-00002	NLA - Obsolete "S" Sweet Dough (Deluxe) (30 QT.).....	1
7	00-295163	"I" Wire Whip (SST) (30 QT.).....	1
8	00-275450	"B" Flat Beater (Alum.) (30 QT.).....	1
9	00-275461	"B" Flat Beater (Alum.) (20 QT.).....	1
10	00-275451	"B" Flat Beater (SST) (30 QT.).....	1
11	00-275462	NLA - Obsolete "B" Flat Beater (SST) (20 QT.).....	1
12	00-275899	"D" Wire Whip (SST) (30 QT.).....	1
13	00-295029	"D" Wire Whip (SST) (20 QT.).....	1
14	00-295161	"C" Wing Whip (30 QT.).....	1
15	00-123724	NLA - Obsolete "C" Wing Whip (20 QT.).....	1
16	00-478596	Dough Arm - Spiral (Packaged) (30 QT.).....	1

