



# CATALOG OF REPLACEMENT PARTS

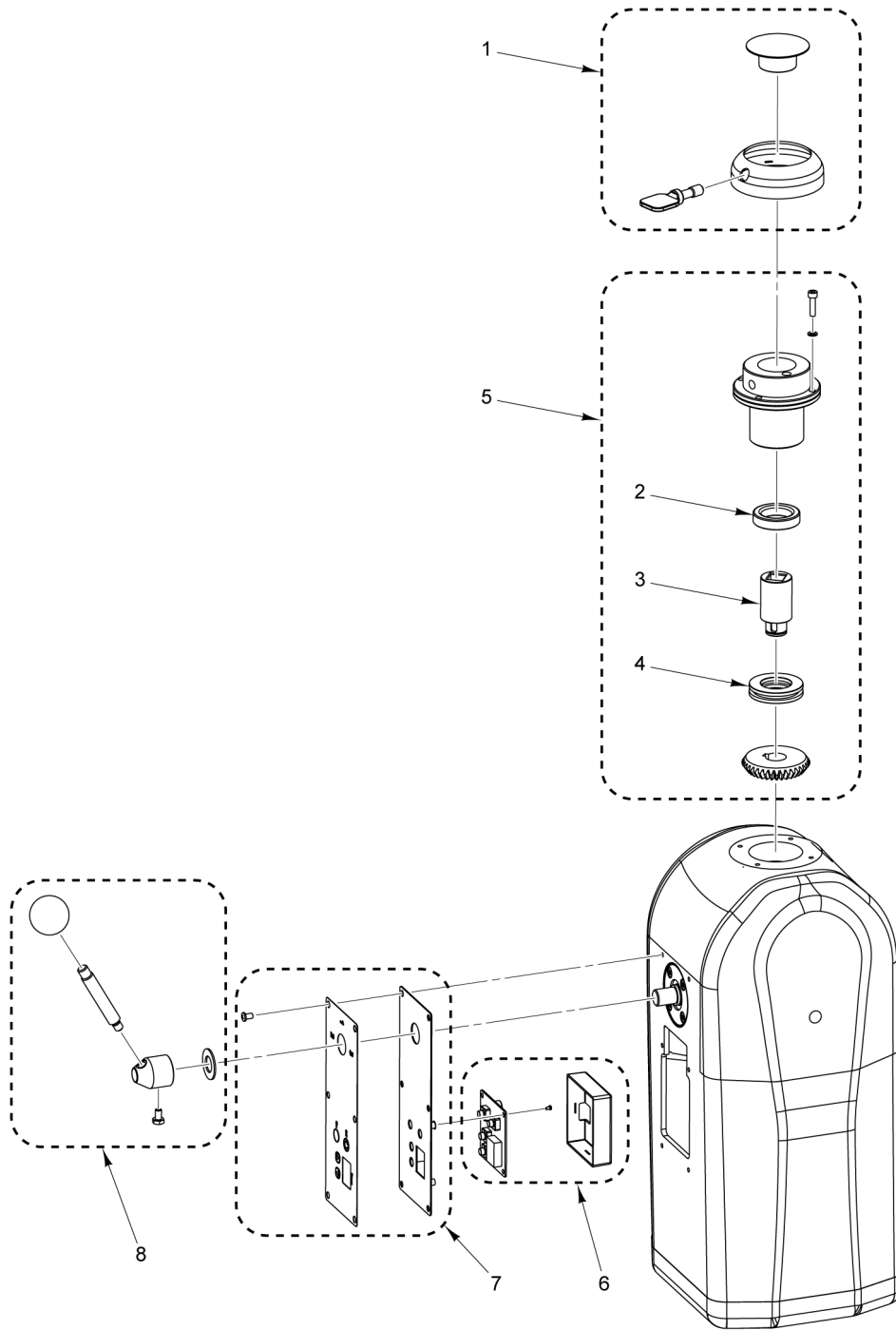
## EMM20 MIXER





**Table of Contents**

5 GEAR BOX AND HUB ASSEMBLY  
7 CENTER AXLE AND GEAR AXLE ASSEMBLY  
9 MOTOR UNIT ASSEMBLY  
11 BOWL SUPPORT ASSEMBLY  
13 ELECTRICAL COMPONENTS  
15 BOWL LIFT ASSEMBLY  
17 PLANETARY ASSEMBLY

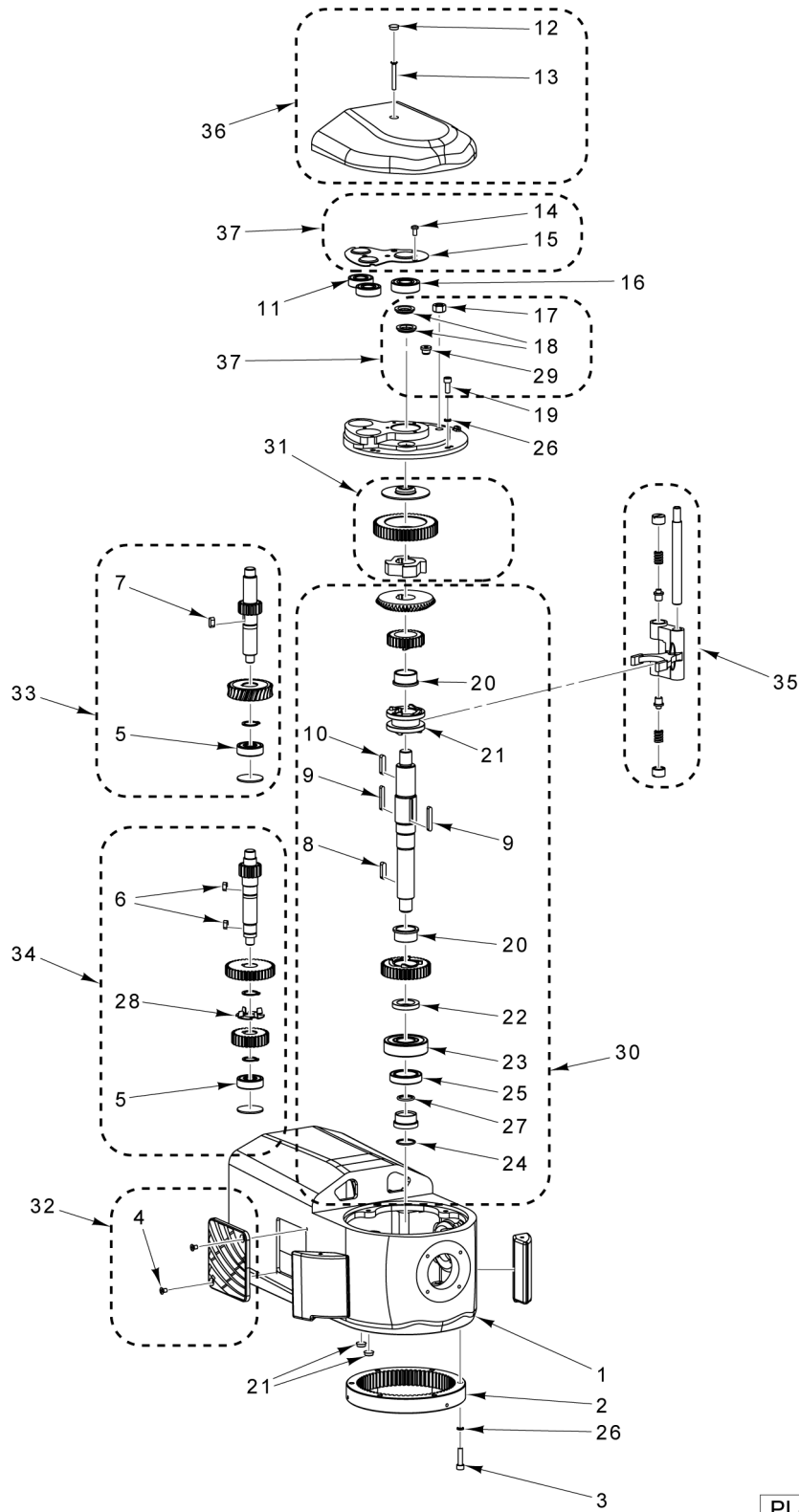


PL-62203

### GEAR BOX AND HUB ASSEMBLY

**GEAR BOX AND HUB ASSEMBLY**

| <b>ILLUS.</b> | <b>PART NO.</b> | <b>NAME OF PART</b>                     | <b>AMT.</b> |
|---------------|-----------------|---|-------------|
| PL-62203      |                 |   |             |
| 1             | 01-650083       | Hub Ring Assy.....                      | 1           |
| 2             | 00-939204-00156 | Seal - Oil.....                         | 1           |
| 3             | 00-939204-00009 | Sleeve - Adapter.....                   | 1           |
| 4             | 00-939179-00138 | Gasket.....                             | 1           |
| 5             | 01-650084       | Hub Assy. (Incls. Items 7, 8, & 9)..... | 1           |
| 6             | 01-650085       | Control Box Assy.....                   | 1           |
| 7             | 01-650086       | Control Cover Assy.....                 | 1           |
| 8             | 01-650087       | Shift Handle Assy.....                  | 1           |

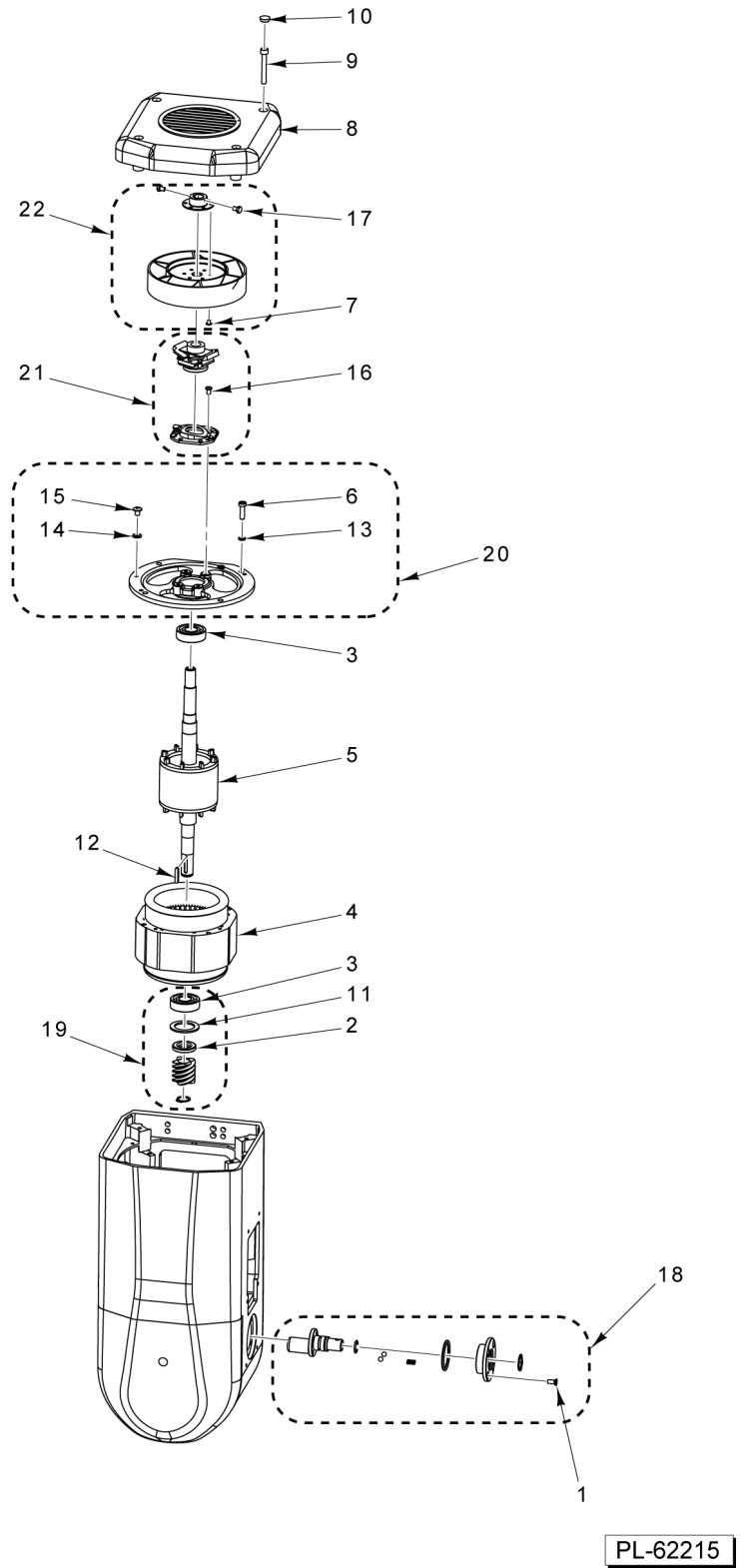


PL-62204

**CENTER AXLE AND GEAR AXLE ASSEMBLY**

## CENTER AXLE AND GEAR AXLE ASSEMBLY

| ILLUS.<br>PL-62204 | PART NO.        | NAME OF PART                | AMT. |
|--------------------|-----------------|-----------------------------|------|
| 1                  | 00-939204-00024 | Gear Box Assy.....          | 1    |
| 2                  | 00-939204-00025 | Gear (Inner).....           | 1    |
| 3                  | 00-939204-00162 | Bolt - Hex M6 x 25.....     | 6    |
| 4                  |                 | Screw M5 x 8.....           | 2    |
| 5                  | 00-939204-00030 | Bearing.....                | 2    |
| 6                  | 00-939204-00035 | Key 5 x 5 x 12.....         | 2    |
| 7                  | 00-939204-00038 | Key 6 x 6 x 14.....         | 1    |
| 8                  | 00-939204-00040 | Key 6 x 6 x 24.....         | 1    |
| 9                  | 00-939204-00041 | Key 5 x 5 x 35.....         | 2    |
| 10                 | 00-939204-00042 | Key 6 x 6 x 28.....         | 1    |
| 11                 | 00-939204-00043 | Bearing 6202.....           | 2    |
| 12                 | 00-939179-00013 | Plug - Rubber.....          | 3    |
| 13                 |                 | Screw M5 x 40.....          | 1    |
| 14                 | 00-939204-00047 | Screw M5 x 10.....          | 6    |
| 15                 | 00-939204-00048 | Cover - Bearing.....        | 1    |
| 16                 | 00-939179-00078 | Bearing 6203.....           | 1    |
| 17                 | 00-939204-00050 | Nut M10.....                | 1    |
| 18                 | 00-939204-00051 | Cover - Rubber.....         | 2    |
| 19                 | 00-939204-00052 | Screw M6 x 16.....          | 4    |
| 20                 | 00-939204-00059 | Ring - Bearing.....         | 2    |
| 21                 | 00-939204-00060 | Joint.....                  | 1    |
| 22                 | 00-939204-00068 | Washer - Center Axle.....   | 1    |
| 23                 | 00-939204-00069 | Bearing 6305.....           | 1    |
| 24                 | 00-939204-00070 | O-Ring.....                 | 1    |
| 25                 | 00-939204-00156 | Seal - Oil.....             | 1    |
| 26                 | 00-939092-00161 | Washer - Lock.....          | 10   |
| 27                 | 00-939204-00157 | O-Ring.....                 | 1    |
| 28                 | 00-939204-00158 | Ring - Grease Stirring..... | 1    |
| 29                 | 00-939204-00161 | Plug - Bearing Cover.....   | 1    |
| 30                 | 01-650095       | Kit - Center Axle.....      | 1    |
| 31                 | 01-650094       | Kit - Engager.....          | 1    |
| 32                 | 01-650088       | Kit - Side Window.....      | 1    |
| 33                 | 01-650089       | Kit - Worm Gear.....        | 1    |
| 34                 | 01-650090       | Kit - High Speed Gear.....  | 1    |
| 35                 | 01-650091       | Kit - Shift Fork.....       | 1    |
| 36                 | 01-650092       | Kit - Top Cover.....        | 1    |
| 37                 | 01-650093       | Kit - Gear Box Cover.....   | 1    |

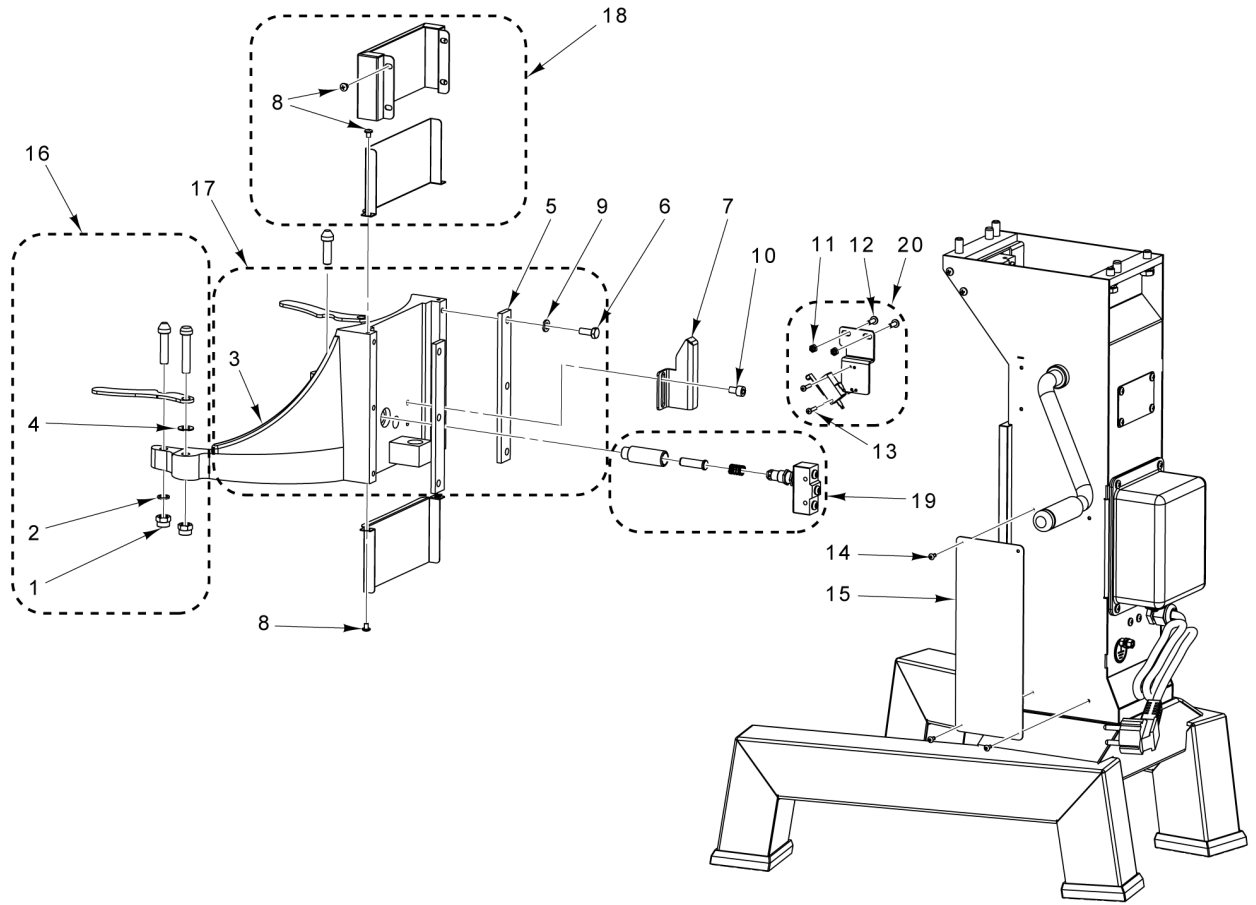


**MOTOR UNIT ASSEMBLY**



MOTOR UNIT ASSEMBLY

| ILLUS.   | PART NO.        | NAME OF PART                  | AMT. |
|----------|-----------------|-------------------------------|------|
| PL-62215 |                 |                               |      |
| 1        |                 | Screw M5 x 12.....            | 4    |
| 2        | 00-939204-00159 | Seal - Oil.....               | 1    |
| 3        | 00-939179-00078 | Bearing 6203.....             | 2    |
| 4        | 00-939204-00084 | Motor (120 V., 60 Hz.).....   | 1    |
| 5        | 00-939204-00154 | Rotor - Motor.....            | 1    |
| 6        | 00-939204-00087 | Screw M6 x 20.....            | 4    |
| 7        |                 | Rivet 4 x 6.....              | 4    |
| 8        | 00-939204-00093 | Cover - Top Back.....         | 1    |
| 9        | 00-939204-00094 | Screw M6 x 45.....            | 4    |
| 10       | 00-939179-00013 | Plug - Rubber.....            | 4    |
| 11       | 00-939204-00160 | Gasket - Bearing.....         | 1    |
| 12       | 00-939179-00158 | Key 4 x 22.....               | 1    |
| 13       | 00-939179-00152 | Washer - Spring.....          | 4    |
| 14       | 00-939204-00164 | Washer - Flat.....            | 1    |
| 15       | 00-939204-00165 | Screw M6 x 8.....             | 1    |
| 16       |                 | Screw M5 x 8.....             | 4    |
| 17       |                 | Bolt - Hex M5 x 10.....       | 2    |
| 18       | 01-650082       | Kit - Eccentric Shaft.....    | 1    |
| 19       | 01-650081       | Kit - Worm Gear.....          | 1    |
| 20       | 01-650080       | Kit - Bearing Cover.....      | 1    |
| 21       | 01-650079       | Kit - Start Switch Plate..... | 1    |
| 22       | 01-650078       | Kit - Fan.....                | 1    |

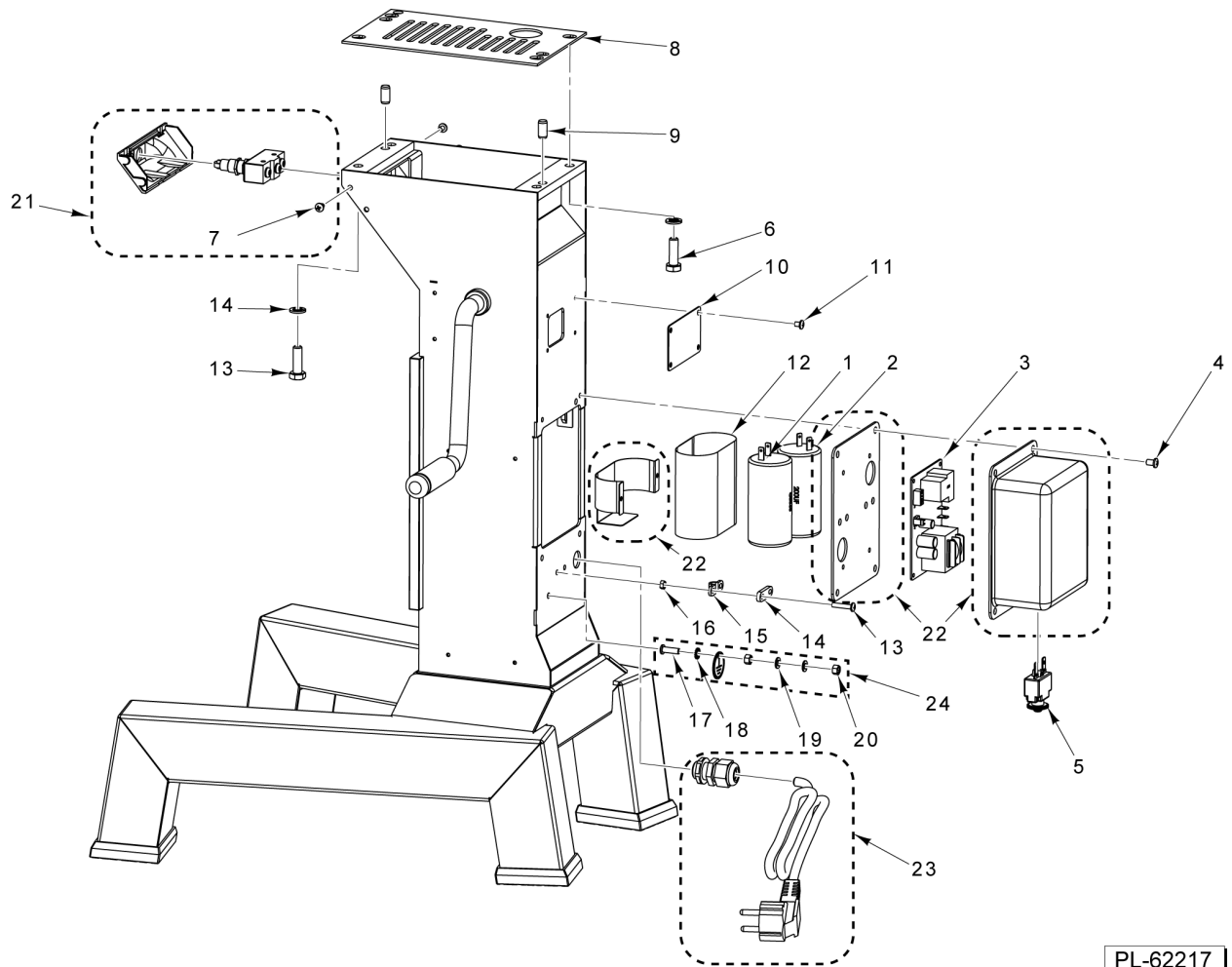


PL-62216

### BOWL SUPPORT ASSEMBLY

**BOWL SUPPORT ASSEMBLY**

| ILLUS.<br>PL-62216 | PART NO.        | NAME OF PART                    | AMT. |
|--------------------|-----------------|---------------------------------|------|
| 1                  |                 | Lock Nut M8.....                | 4    |
| 2                  |                 | Washer - Flat M8.....           | 2    |
| 3                  | 00-939204-00098 | Bowl Support Arm Assy.....      | 1    |
| 4                  |                 | Washer - Flat M8.....           | 2    |
| 5                  | 00-939204-00105 | Clamp - Flat.....               | 2    |
| 6                  | 00-939179-00088 | Screw M6 x 16.....              | 6    |
| 7                  | 00-939204-00107 | Switch - Micro (Bowl Lift)..... | 1    |
| 8                  |                 | Screw M4 x 6.....               | 8    |
| 9                  | 00-939204-00168 | Washer.....                     | 6    |
| 10                 | 00-939204-00169 | Bolt - Hex M6 x 10.....         | 2    |
| 11                 |                 | Nut M4.....                     | 2    |
| 12                 |                 | Screw M4 x 12.....              | 2    |
| 13                 |                 | Screw M3 x 1.....               | 2    |
| 14                 |                 | Rivet 3 x 6.....                | 4    |
| 15                 | 00-939204-00174 | Label - Warning.....            | 1    |
| 16                 | 01-650074       | Kit - Bowl Lock.....            | 1    |
| 17                 | 01-650075       | Kit - Bowl Support.....         | 1    |
| 18                 | 01-650076       | Kit - Front Cover.....          | 1    |
| 19                 | 01-650077       | Kit - Bowl Switch.....          | 1    |
| 20                 | 01-650126       | Kit - Micro Switches.....       | 1    |

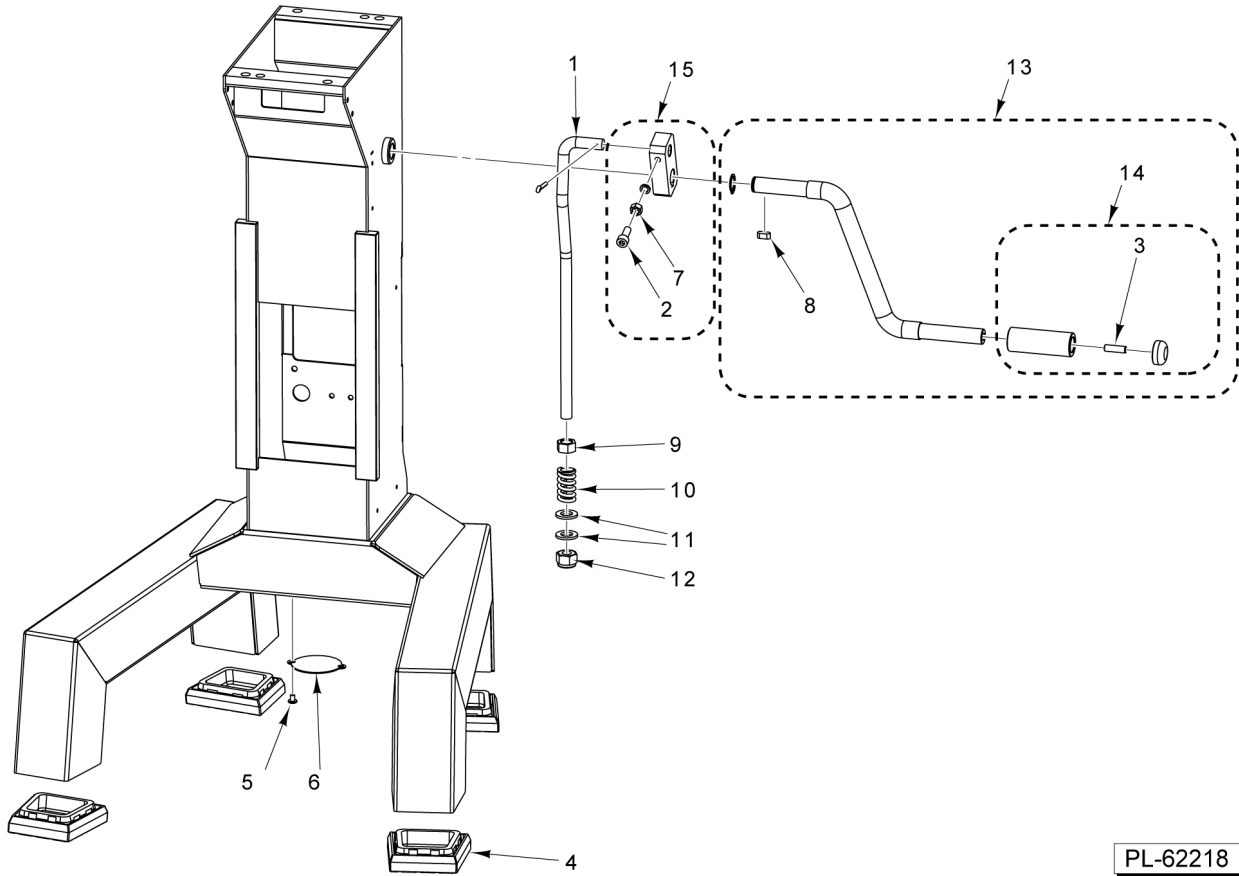


PL-62217

### ELECTRICAL COMPONENTS

## ELECTRICAL COMPONENTS

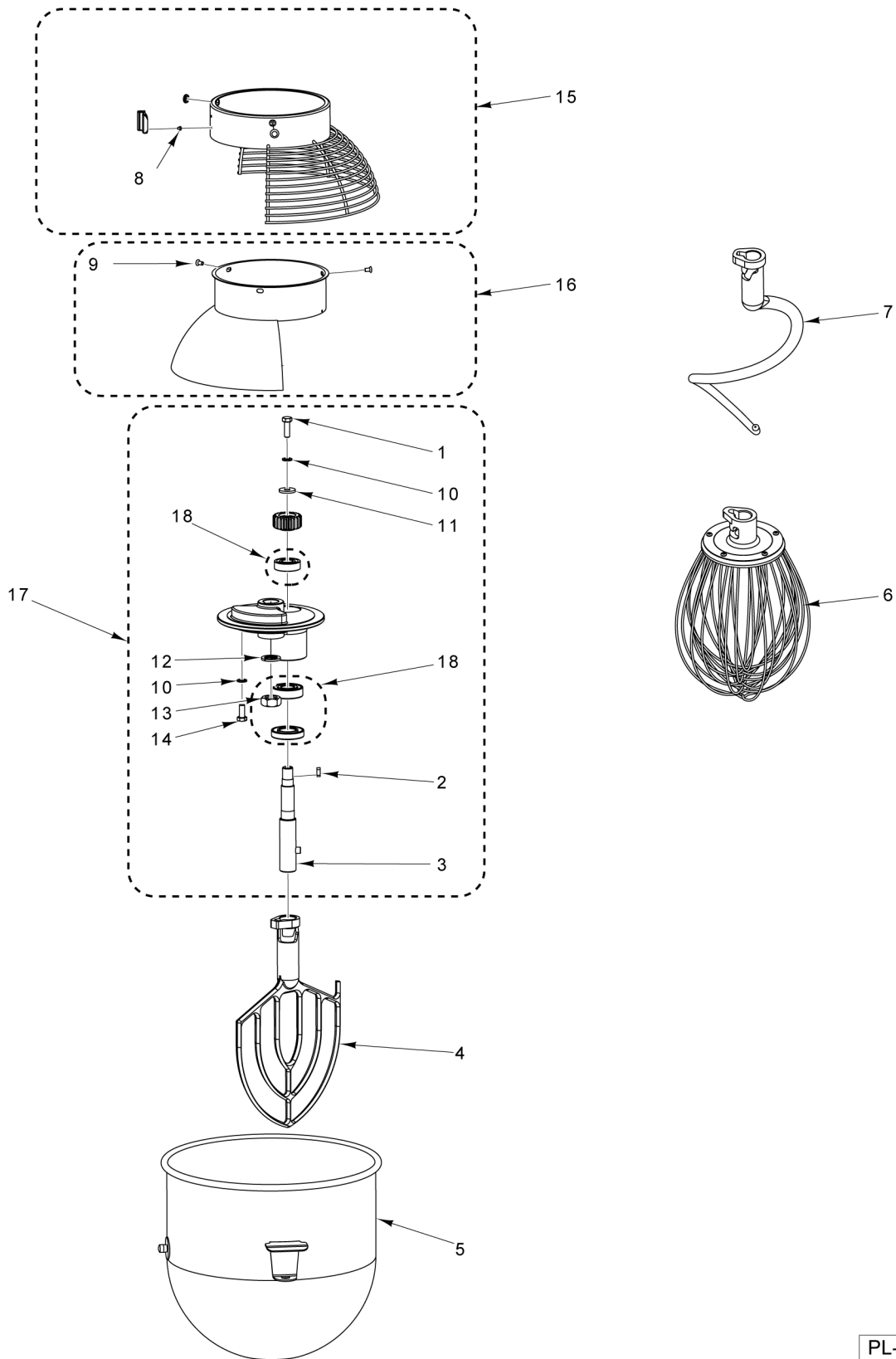
| ILLUS.   | PART NO.        | NAME OF PART                     | AMT. |
|----------|-----------------|----------------------------------|------|
| PL-62217 |                 |                                  |      |
| 1        | 00-939204-00118 | Capacitor (Run).....             | 1    |
| 2        | 00-939204-00119 | Capacitor (Start).....           | 1    |
| 3        | 00-939204-00121 | Board - Power (120 V).....       | 1    |
| 4        | 00-939179-00021 | Screw M5 x 8.....                | 4    |
| 5        | 00-939179-00106 | Switch - Overload (10 Amp.)..... | 1    |
| 6        | 00-939204-00175 | Bolt - Hex M8 x 25.....          | 4    |
| 7        |                 | Screw M4 x 8.....                | 4    |
| 8        | 00-939204-00177 | Plate - Protection.....          | 1    |
| 9        | 00-939204-00178 | Spacer.....                      | 2    |
| 10       | 00-939204-00179 | Plate - Back.....                | 1    |
| 11       | 00-939179-00160 | Screw M4 x 6.....                | 6    |
| 12       | 00-939204-00180 | Cover - Capcitor.....            | 1    |
| 13       | 00-939204-00181 | Screw M4 x 20.....               | 2    |
| 14       | 00-939204-00182 | Strip.....                       | 1    |
| 15       | 00-939204-00183 | Plate.....                       | 1    |
| 16       | 00-939204-00184 | Nut M4.....                      | 2    |
| 17       |                 | Screw M5 x 16.....               | 1    |
| 18       |                 | Gasket M5.....                   | 1    |
| 19       |                 | Washer - Flat.....               | 2    |
| 20       |                 | Nut M5.....                      | 2    |
| 21       | 01-650071       | Kit - Safety Switch.....         | 1    |
| 22       | 01-650072       | Kit - Capacitor Box.....         | 1    |
| 23       | 01-650073       | Kit - Power Cord.....            | 1    |
| 24       | 01-650125       | Kit - Ground.....                | 1    |



**BOWL LIFT ASSEMBLY**

**BOWL LIFT ASSEMBLY**

| <b>ILLUS.</b> | <b>PART NO.</b> | <b>NAME OF PART</b>            | <b>AMT.</b> |
|---------------|-----------------|--------------------------------|-------------|
| 1             | 00-939204-00126 | Rod.....                       | 1           |
| 2             |                 | Screw M6 x 16 (SST).....       | 1           |
| 3             |                 | Screw M6 x 20.....             | 1           |
| 4             | 00-939204-00134 | Foot - Rubber.....             | 4           |
| 5             | 00-939179-00160 | Screw M4 x 6.....              | 2           |
| 6             | 00-939179-00168 | Ring - Retaining.....          | 1           |
| 7             |                 | Nut M6.....                    | 1           |
| 8             | 00-939204-00189 | Key 5 x 5 x 12.....            | 1           |
| 9             | 00-939204-00190 | Nut M10.....                   | 1           |
| 10            | 00-939204-00191 | Spring.....                    | 1           |
| 11            | 00-939204-00192 | Washer - Flat.....             | 2           |
| 12            | 00-939204-00193 | Nut M10.....                   | 1           |
| 13            | 01-650069       | Kit - Lifting Handle.....      | 1           |
| 14            | 01-650070       | Kit - Handle.....              | 1           |
| 15            | 01-650124       | Kit - Lift Handle Bracket..... | 1           |



**PLANETARY ASSEMBLY**

PL-62219



**PLANETARY ASSEMBLY**

| ILLUS.   | PART NO.        | NAME OF PART               | AMT. |
|----------|-----------------|----------------------------|------|
| PL-62219 |                 |                            |      |
| 1        | 00-939204-00139 | Screw M8 x 25.....         | 1    |
| 2        | 00-939204-00144 | Key 5 x 5 x 14.....        | 1    |
| 3        | 00-939204-00145 | Shaft - Agitator.....      | 1    |
| 4        | 00-939204-00147 | Beater #430.....           | 1    |
| 5        | 00-939204-00149 | Bowl #304.....             | 1    |
| 6        | 00-939204-00151 | Whip #340.....             | 1    |
| 7        | 00-939204-00153 | Hook #430.....             | 1    |
| 8        |                 | Screw M3 x 4.....          | 4    |
| 9        |                 | Screw M5 x 10.....         | 3    |
| 10       | 00-939179-00128 | Washer - Spring.....       | 3    |
| 11       | 00-939204-00197 | Gasket.....                | 1    |
| 12       | 00-939204-00198 | Washer - Spring.....       | 1    |
| 13       | 00-939204-00199 | Nut M18.....               | 1    |
| 14       | 00-939204-00200 | Bolt - Hex M8 x 20.....    | 2    |
| 15       | 01-650066       | Kit - Safety Cage.....     | 1    |
| 16       | 01-650123       | Kit - Safety Cover.....    | 1    |
| 17       | 01-650067       | Kit - Planetary Shaft..... | 1    |
| 18       | 01-650068       | Kit - Bearings.....        | 1    |

