



# CATALOG OF REPLACEMENT PARTS

## HL400 SERIES LEGACY MIXER



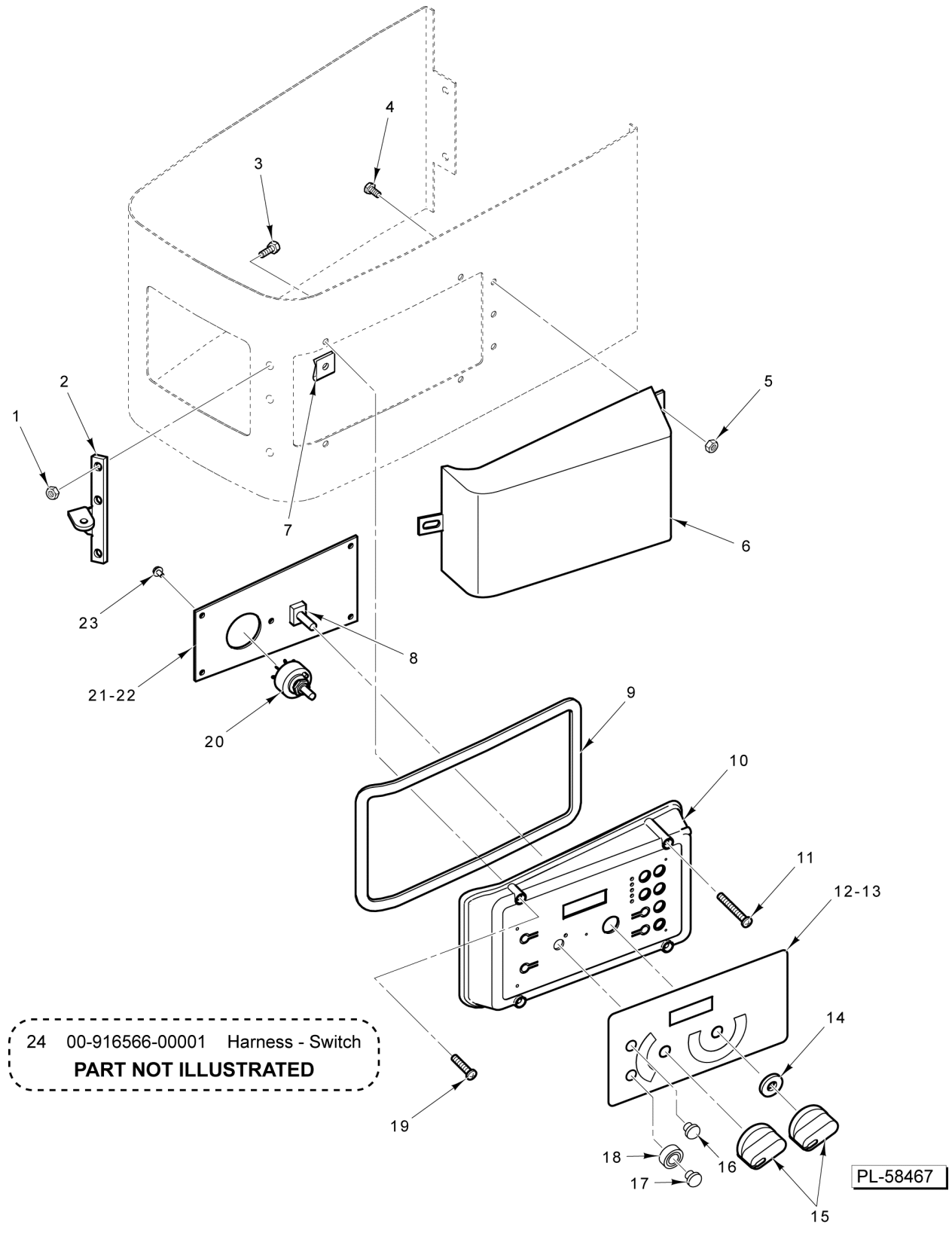
ML-134348  
ML-134359  
ML-141096

HL400  
HL400C  
HL400 (Canada)



**Table of Contents**

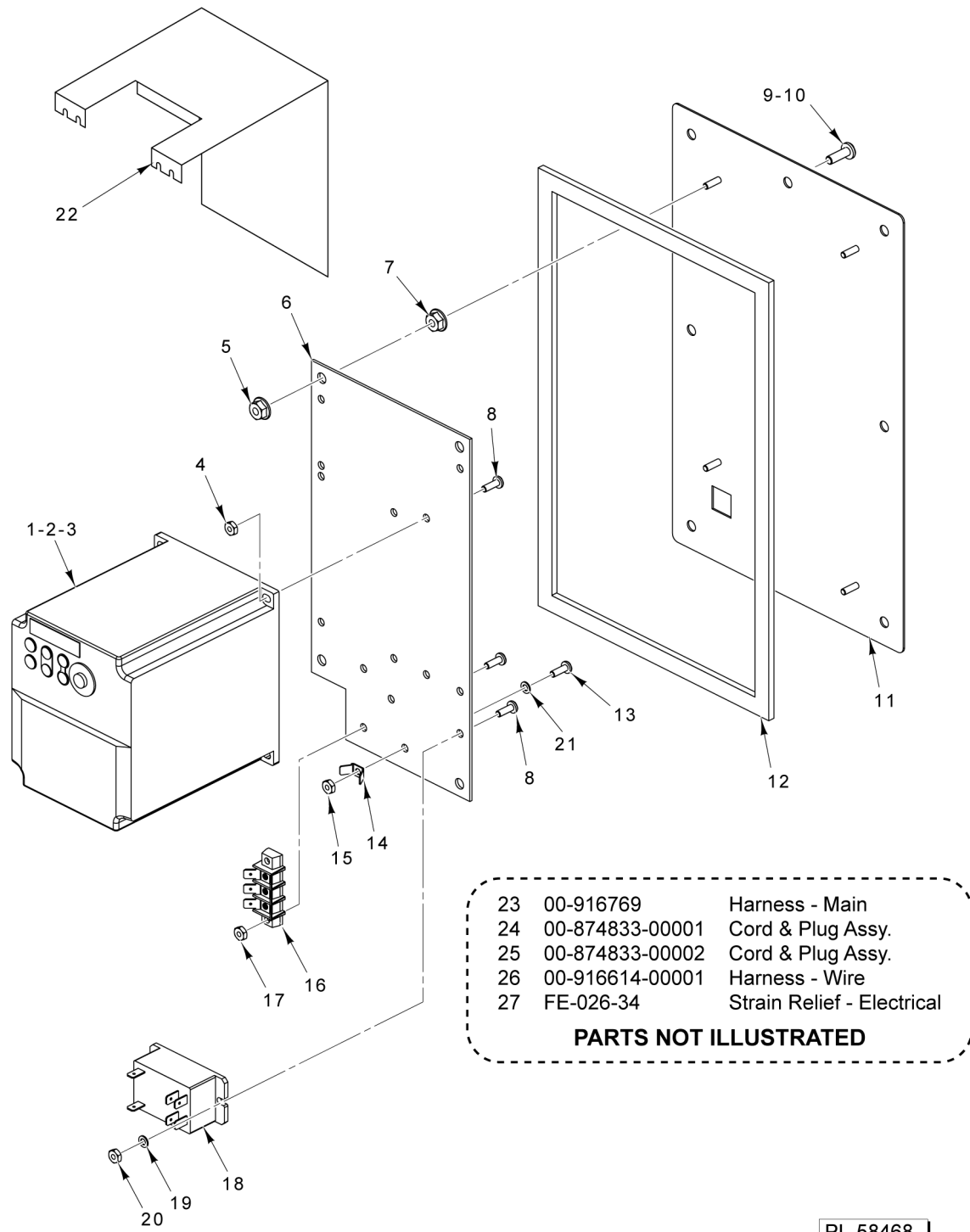
5	CONTROL PANEL
7	ELECTRICAL COMPONENTS
9	BASE AND PEDESTAL
11	ATTACHMENT HUB
13	TRANSMISSION CASE AND MOTOR
15	TRANSMISSION
17	PLANETARY
19	BOWL SUPPORT
21	BOWL AND BOWL GUARD
23	AGITATORS AND ACCESSORIES
25	LABELS & NAMEPLATES



**CONTROL PANEL**

**CONTROL PANEL**

ILLUS. PL-58467	PART NO.	NAME OF PART	AMT.
1	NS-038-13	Lock Nut 10-24 Hex (ML-134359).....	3
2	00-916759	Latch (ML-134359).....	1
3	SC-128-69	Mach. Screw 10-24 x 3/8 Tx. Button Hd. (ML-134359).....	3
4	SC-128-69	Mach. Screw 10-24 x 3/8 Tx. Button Hd. (ML-134359).....	3
5	NS-038-13	Lock Nut 10-24 Hex (ML-134359).....	3
6	00-916760	Cover - Security (ML-134359).....	1
7	00-874338	Fastener - Self-Retaining.....	4
8	00-916594	Potentiometer Assy.....	1
9	00-916613	Seal - Control Panel.....	1
10	00-917226	Panel - Control.....	1
11	SC-128-40	Mach. Screw 8-32 x 2-1/4 Phil. Oval Hd. (SST).....	2
12	00-916575	Overlay - Standard.....	1
13	00-916528	Overlay - Recipe.....	1
14	WS-031-55	Washer (Rubber).....	1
15	00-874809	Knob (Plastic).....	1
	00-938685	Knob (Metalic).....	1
16	00-916592	Switch - Sealed Dome (Stop).....	1
17	00-916593	Switch - Sealed Dome (Start).....	1
18	00-916958-00002	Guard - Switch.....	1
19	SC-128-39	Mach. Screw 8-32 x 1-1/2 Phil. Oval Hd. (SST).....	2
20	00-916923	Switch Assy. - Selector.....	1
21	00-916611	PCB Assy. (Standard).....	1
22	00-916491	PCB Assy. (Recipe Timer).....	1
23	SD-039-23	Self-Tapping Screw 6-32 x 1/4 Hex. Hex Washer Hd., Type RL.....	5
24	00-916566-00001	Harness - Switch.....	1

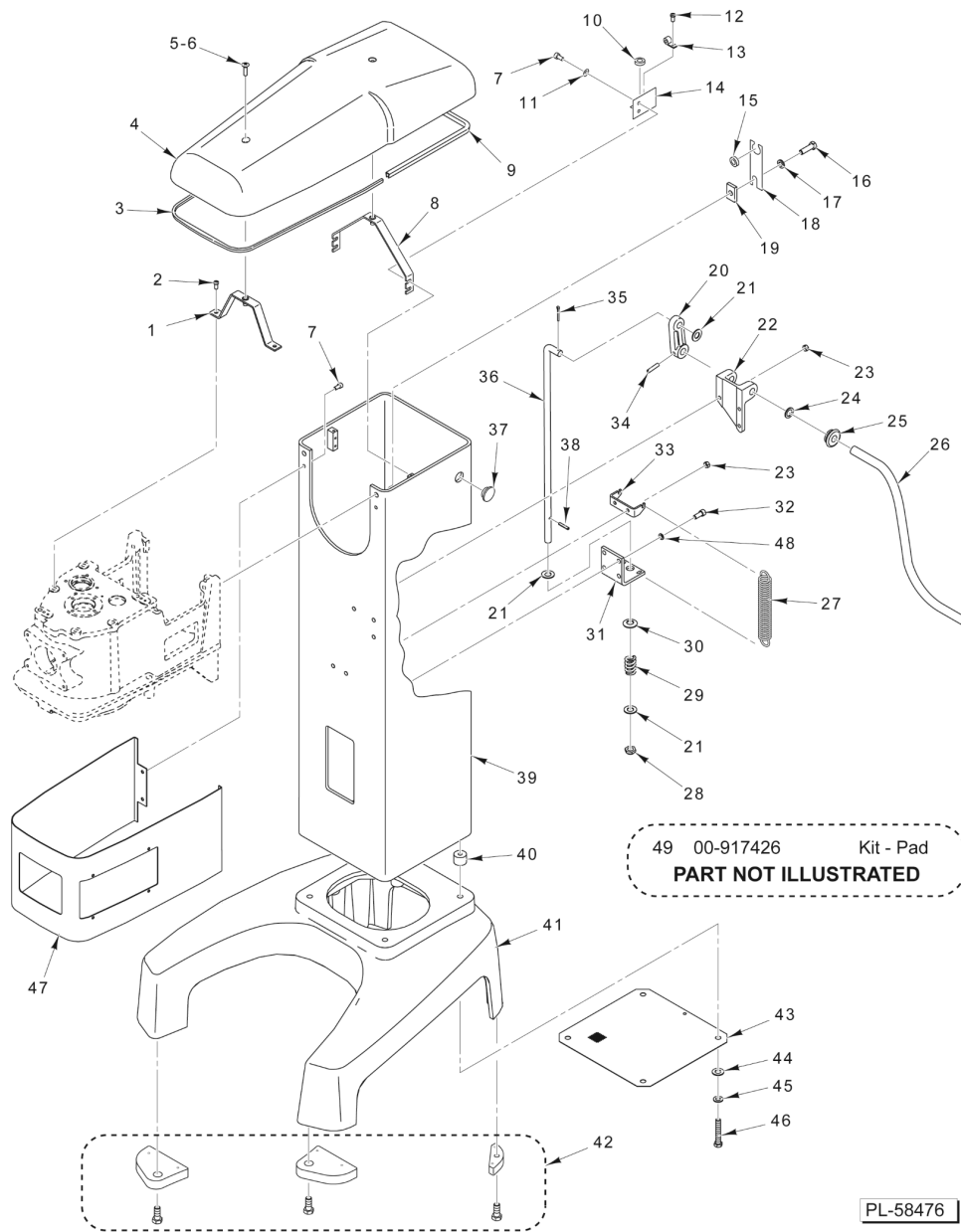


PL-58468

**ELECTRICAL COMPONENTS**

**ELECTRICAL COMPONENTS**

ILLUS.	PART NO.	NAME OF PART	AMT.
PL-58468			
1	00-916526-00001	Controller (200/230 V., 50/60 Hz., 1 Ph.).....	1
2	00-916527-00001	Controller (200/230 V., 50/60 Hz., 3 Ph.).....	1
3	00-916527-00002	Controller (380/480 V., 50/60 Hz., 3 Ph.).....	1
4	NS-009-12	Nut 8-32 Hex.....	4
5	NS-038-04	Lock Nut 1/4-20 Flange.....	4
6	00-916871	Plate - Controller Mounting.....	1
7	NS-038-04	Lock Nut 1/4-20 Flange.....	4
8	SC-018-34	Mach. Screw 8-32 x 1/2 Phil. Pan Hd.....	8
9	SC-053-46	Mach. Screw 1/4-20 x 3/4 Slotted Truss Hd. (SST).....	7
10	SC-128-74	Mach. Screw 1/4-20 x 5/8 Tx. Button Hd. (SST) (ML-134359).....	7
11	00-916772-00002	Cover - Back & Studs.....	1
12		Foam - Tape (0.187 Thk. x 0.500 Wide) (Local Purchase).....	AR
13	SC-018-33	Mach. Screw 8-32 x 5/16 Phil. Pan Hd.....	1
14	00-065890-00090	Terminal (2-Tab).....	1
15	NS-009-12	Nut 8-32 Hex.....	1
16	00-916269	Block - Terminal.....	1
17	NS-009-12	Nut 8-32 Hex.....	2
18	00-087714-042-5	Relay (2-Pole, 30 Amp.).....	1
19	WS-023-48	Washer.....	2
20	NS-009-12	Nut 8-32 Hex.....	2
21	WL-003-12	Lockwasher #8 Helical.....	1
22	00-938271	Shield - Mylar.....	1
23	00-916769	Harness - Main.....	1
24	00-874833-00001	Cord & Plug Assy. (120 V.).....	1
25	00-874833-00002	Cord & Plug Assy. (220 V.).....	1
26	00-916614-00001	Harness - Wire.....	1
27	FE-026-34	Strain Relief - Electrical.....	1

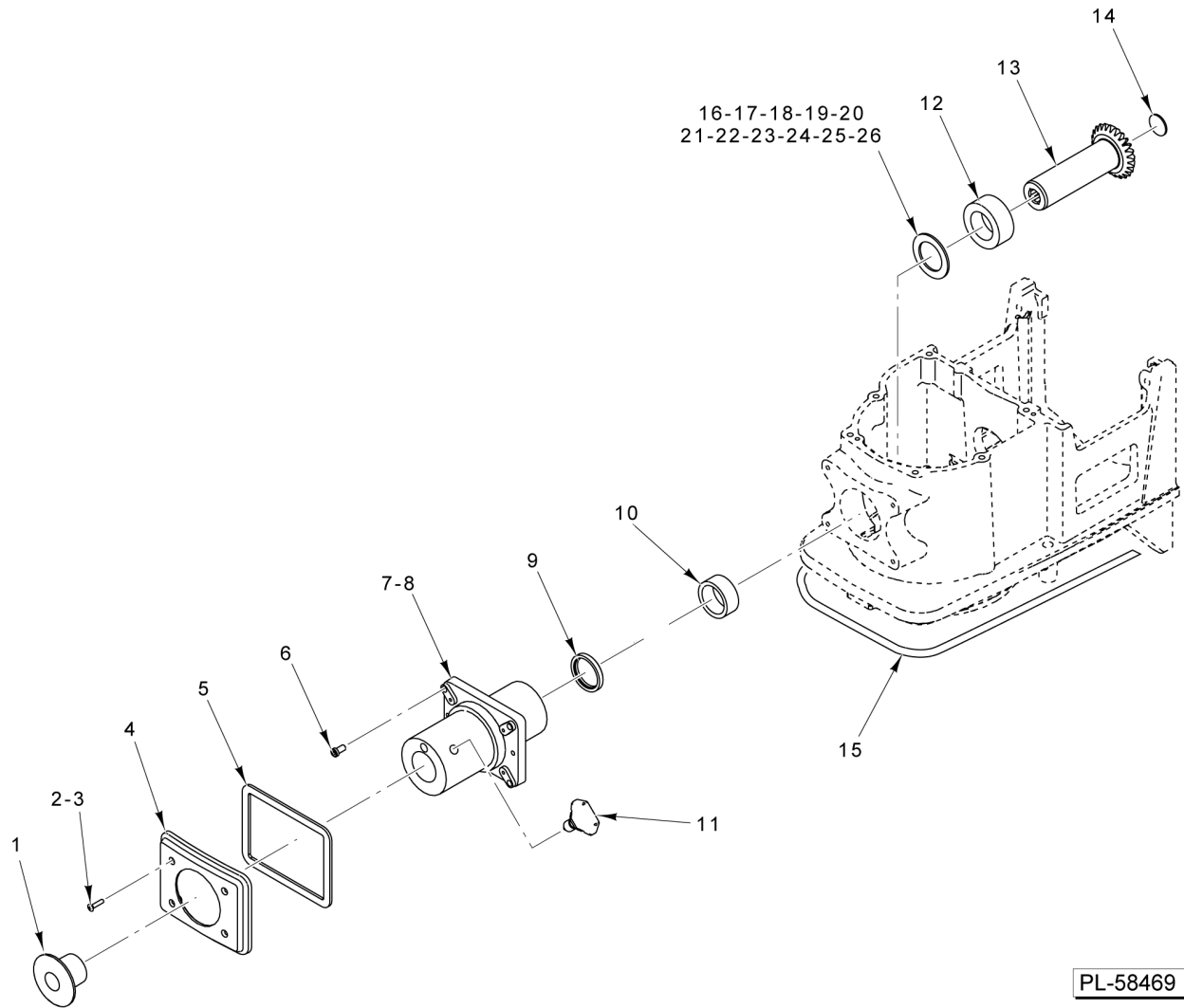


**BASE AND PEDESTAL**



## BASE AND PEDESTAL

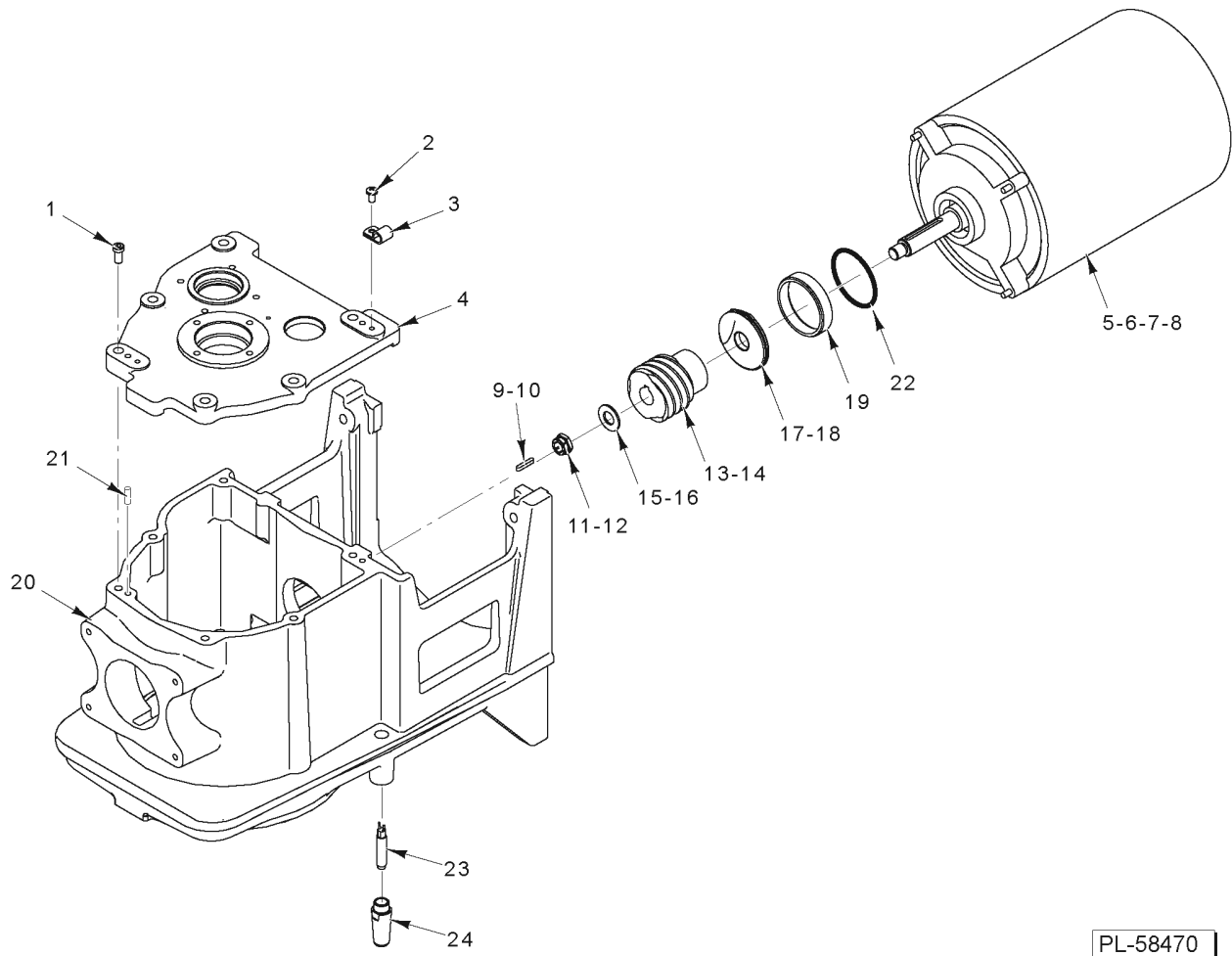
ILLUS.	PART NO.	NAME OF PART	AMT.
PL-58476			
1	00-916452	Strap - Front Cover Mounting.....	1
2	SC-089-19	Cap Screw 5/16-18 x 1-3/8 Hex Socket Hd.....	2
3	00-874512-00003	Seal - Top Cover.....	1
4	00-917230	Cover - Top.....	1
5	SC-024-03	Mach. Screw 1/4-20 x 7/8 Slotted Fil. Hd. (SST).....	2
6	SC-121-73	Mach. Screw 1/4-20 x 1 Tx. Button Hd. (SST) (ML-134359).....	2
7	SC-089-01	Cap Screw 1/4-20 x 1/2 Hex Socket Hd.....	6
8	00-916454	Strap - Rear Cover Mounting.....	1
9	00-916535-00001	Seal - Top Cover.....	1
10	FE-021-13	Bushing (Nylon) 1/2 I.D.....	1
11	WS-003-19	Washer.....	4
12	SD-019-23	Self-Tapping Screw 10-16 x 3/8 Phil. Pan Hd., Type B.....	1
13	00-078752-00009	Clamp - Cable.....	1
14	00-937123	Bracket.....	1
15	FE-021-13	Bushing (Nylon) 1/2 I.D.....	1
16	SC-118-09	Cap Screw 3/8-16 x 1-1/4 Hex Hd.....	6
17	WL-004-06	Lockwasher 3/8 Helical.....	6
18	00-916815	Plate - Wire Routing.....	1
19	00-271340	Bar - Reinforcing.....	6
20	00-916467	Arm - Bowl Lift.....	1
21	WS-008-47	Washer.....	3
22	00-916442	Block - Bowl Lift Bearing.....	1
23	NS-013-02	Nut 1/4-20 Hex.....	3
24	WS-020-01	Washer (SST).....	1
25	00-271343	Grommet - Handle.....	1
26	00-916482	Handle - Bowl Lift.....	1
27	00-916463	Spring - Bowl Lift.....	2
28	NS-031-39	Stop Nut 1/2-20 Hex Elastic.....	1
29	00-070104	Spring - Bowl Lift.....	1
30	00-070131	Washer - Cup Bowl Lift.....	1
31	00-916469	Bracket - Bowl Lift Support.....	1
32	SC-041-13	Cap Screw 5/16-18 x 1 Hex Hd. (SST).....	4
33	00-916449	Hook - Bowl Lift Spring.....	1
34	PS-004-15	Spiral Pin 1/4 Dia. x 1-1/8 Lg.....	1
35	PC-006-13	Cotter Pin.....	1
36	00-916468	Rod - Bowl Lift.....	1
37	PB-005-30	Plug - Button.....	1
38	RP-002-10	Roll Pin 3/16 Dia. x 1 Lg.....	1
39	00-916364-00004	Column.....	1
40	00-916508	Lug - Threaded Column.....	4
41	00-916213-00004	Base.....	1
42	00-916353	Kit - Foot Pad.....	1
43	00-916549	Screen - Air Floor.....	1
44	WS-018-19	Washer.....	4
45	WL-004-04	Lockwasher 3/8 Helical.....	4
46	SC-118-05	Cap Screw 3/8-16 x 2-3/4 Hex Hd.....	4
47	00-916387-00002	Wrapper - Transmission.....	1
48	WL-006-22	Lockwasher 5/16 Light (SST).....	4
49	00-917426	Kit - Deck Plate Mounting.....	1



**ATTACHMENT HUB**

**ATTACHMENT HUB**

ILLUS.	PART NO.	NAME OF PART	AMT.
PL-58469	1	00-917221 Plug - Attachment (Plastic).....	1
		00-938670 Plug - Attachment (Metallic).....	1
2	SC-079-04	Mach. Screw 8-32 x 3/4 Phil. Oval Hd. (SST).....	4
3	SC-128-85	Mach. Screw 8-32 x 3/4 Tx. Flat Hd. (SST) (ML-134359).....	4
4	00-917222	Panel - Front.....	1
5	00-875813	Seal - Front Cover.....	1
6	SC-040-09	Cap Screw 1/4-20 x 1-1/4 Hex Socket Hd.....	4
7	00-916384-00002	Hub - Attachment.....	1
8	OR-001-09	O-Ring.....	1
9	00-916733	Seal - Attachment Hub.....	1
10	BN-005-12	Bearing - Needle (Pre-Greased).....	1
11	00-108197-00001	Thumb Screw 1-1/4.....	1
12	BB-013-03	Ball Bearing - Nice #618.....	1
13	00-916601	Gear - Drive Attachment (Incls. Item 14).....	1
14	PL-003-17	Plug - Expansion.....	1
15	00-913102-00105	Kit - Seal.....	1
16	00-061920-00001	Washer - Thrust (0.076 Thk.).....	AR
17	00-061920-00002	Washer - Thrust (0.079 Thk.).....	AR
18	00-061920-00003	Washer - Thrust (0.082 Thk.).....	AR
19	00-061920-00004	Washer - Thrust (0.085 Thk.).....	AR
20	00-061920-00005	Washer - Thrust (0.088 Thk.).....	AR
21	00-061920-00006	Washer - Thrust (0.091 Thk.).....	AR
22	00-061920-00007	Washer - Thrust (0.094 Thk.).....	AR
23	00-061920-00008	Washer - Thrust (0.097 Thk.).....	AR
24	00-061920-00009	Washer - Thrust (0.100 Thk.).....	AR
25	00-061920-00010	Washer - Thrust (0.103 Thk.).....	AR
26	00-061920-00011	Washer - Thrust (0.106 Thk.).....	AR

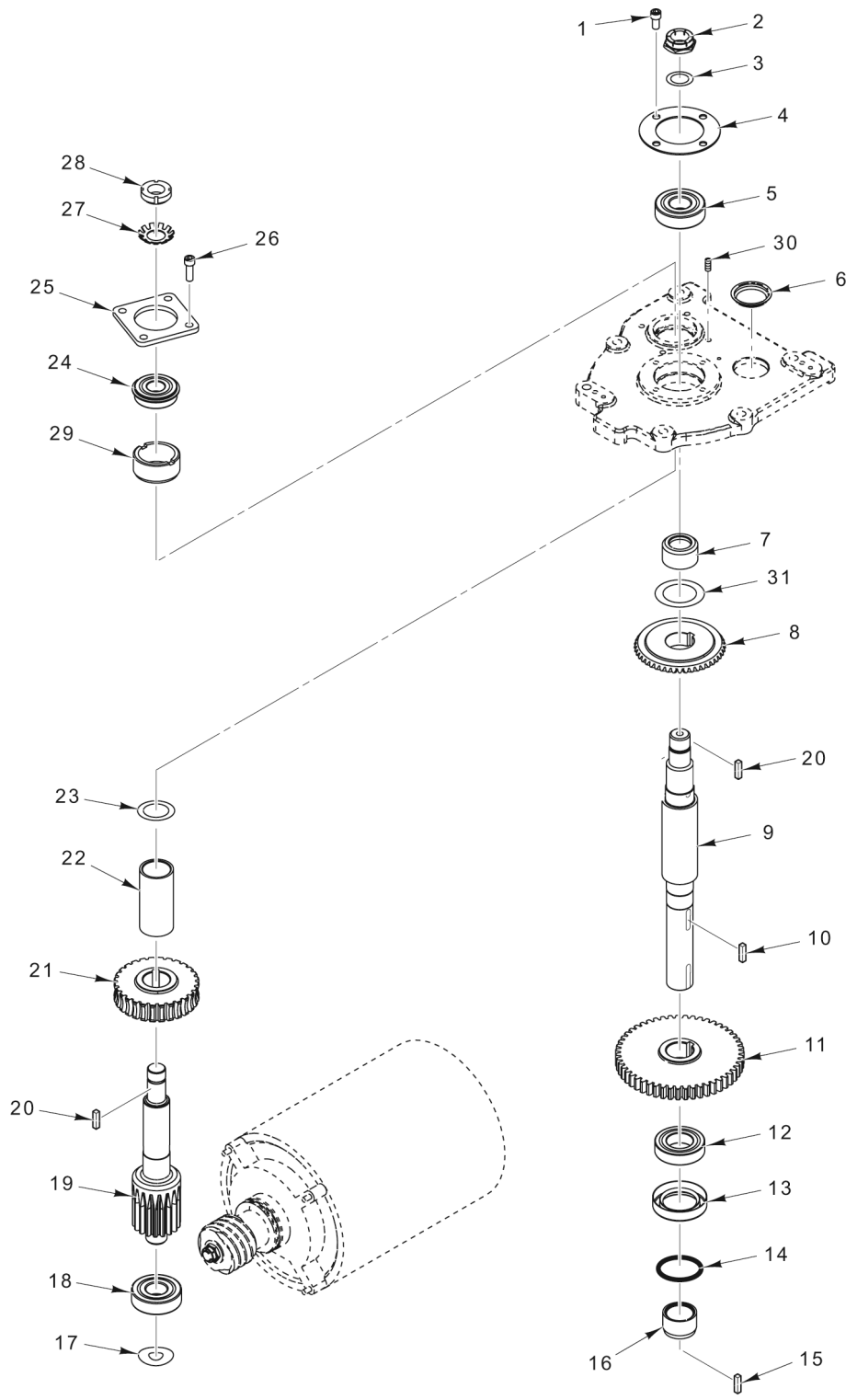


PL-58470

**TRANSMISSION CASE AND MOTOR**

**TRANSMISSION CASE AND MOTOR**

ILLUS. PL-58470	PART NO.	NAME OF PART	AMT.
1	SC-040-15	Cap Screw 5/16-18 x 1-1/4 Hex Socket Hd.....	6
2	SC-018-62	Mach. Screw 10-24 x 3/8 Phil. Pan Hd.....	1
3	00-078752-00003	Clamp - Cable.....	1
4	00-913102-00107	Cover - Top (Incls. Sleeve & Set Screw).....	1
5	00-916447	Motor 5/8 Shaft (Discontinued. See Item 6).....	1
6	00-913102-00109	Kit - Motor 15/16 Shaft.....	1
7	00-937120	Motor (All with 15/16 Shaft).....	1
8	00-937123	Bracket.....	1
9	00-012430-00147	Key (5/8 Motor Shaft).....	1
10	00-012430-00069	Key 3/16 x 3/16 x 1-39/64 (15/16 Motor Shaft).....	1
11	NS-032-23	Lock Nut 7/16-20 Special (5/8 Motor Shaft).....	1
12	NS-046-29	Lock Nut 3/4-16 Flexlox (15/16 Motor Shaft).....	1
13	00-916338	Worm - Motor (5/8 Motor Shaft).....	1
14	00-937119	Worm - Motor (15/16 Motor Shaft).....	1
15	WS-021-08	Washer (5/8 Motor Shaft).....	1
16	WS-012-41	Washer (0.797 x 1.125 x 0.062) (0.797 x 1.125 x 0.062)(15/16 Motor Shaft).....	1
17	00-937535	Deflector - Grease (RH) (5/8 Motor Shaft).....	1
18	00-937535-00002	Deflector - Grease (15/16 Motor Shaft).....	1
19	00-939026	Kit, Deflector.....	1
20	00-916326-00004	Transmission.....	1
21	00-011800-00187	Dowel.....	2
22	00-067500-00057	O-Ring.....	1
23	00-087711-00352	Switch - Reed.....	1
24	00-917596	Holder - Reed Switch.....	1

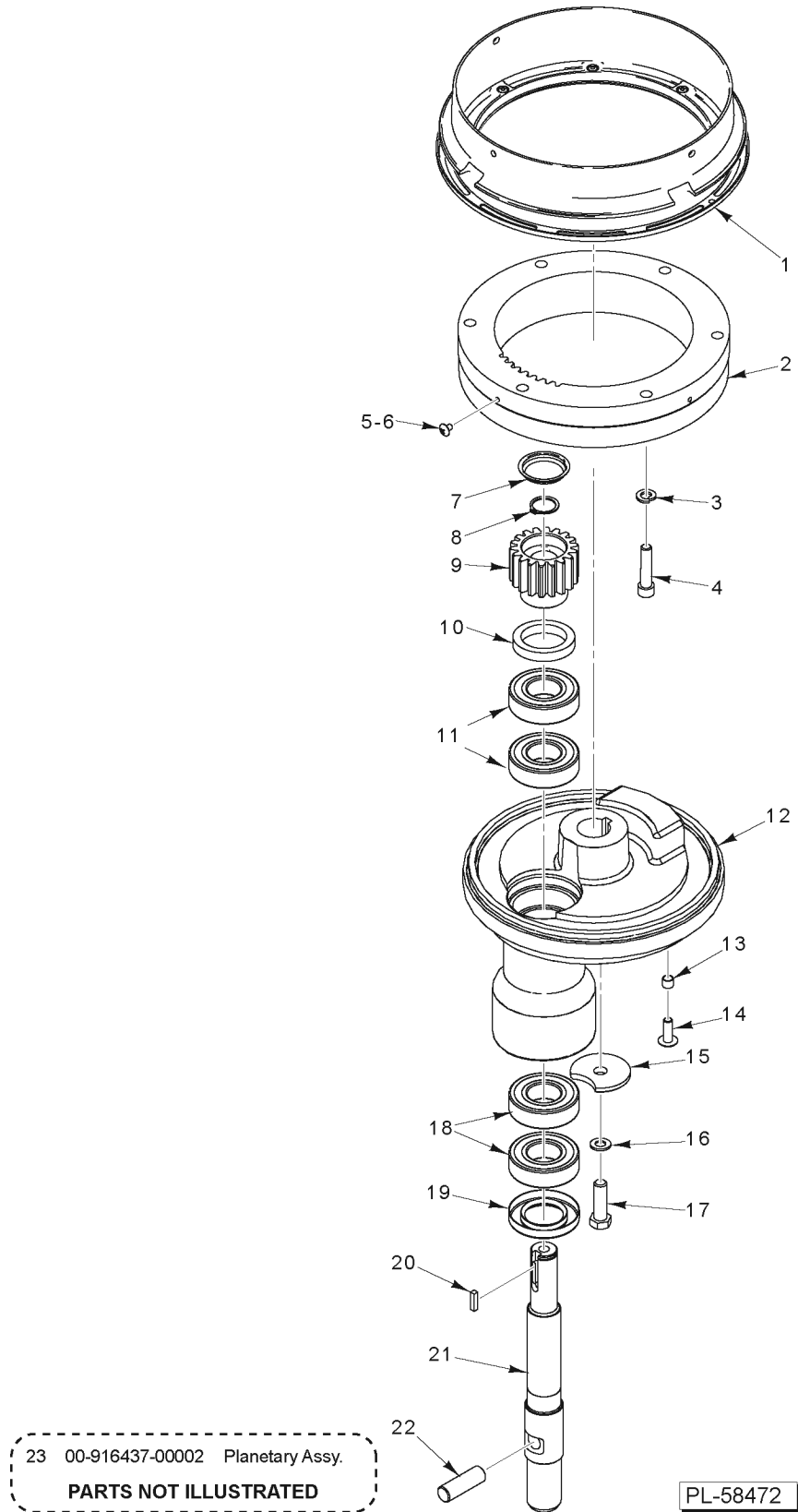


PL-58471

**TRANSMISSION**

**TRANSMISSION**

ILLUS.	PART NO.	NAME OF PART	AMT.
PL-58471			
1	SC-089-01	Cap Screw 1/4-20 x 1/2 Hex Socket Hd.....	4
2	NS-034-06	Lock Nut N.D. #N-05.....	1
3	WL-012-06	Lockwasher N.D. #W-05.....	1
4	00-916439	Retainer - Planetary.....	1
5	BB-017-39	Ball Bearing - MRC 205 SZZ-01-ST-A-92-C.....	1
6	00-064871	Plug - Friction.....	1
7	00-916356	Spacer - Upper Planetary.....	1
8	00-271234-00002	Gear - Planetary Shaft Bevel.....	1
9	00-916342	Shaft - Planetary.....	1
10	00-012430-00143	Key.....	1
11	00-916341	Gear - Helical (51T).....	1
12	BB-015-36	Ball Bearing - Hoover - NSK 6007 DDUCE1SRIS.....	1
13	00-271341	Seal - Planetary Shaft Seal - Planetary.....	1
14	00-067500-00070	O-Ring.....	1
15	00-937370-00040	Key.....	1
16	00-437599	Seal - Hub.....	1
17	SL-005-04	Spring - Loading.....	1
18	BB-005-34	Ball Bearing.....	1
19	00-916340	Shaft - Worm Gear.....	1
20	00-012430-00138	Key 1/4 Sq. x 3/4 Lg.....	2
21	00-916339	Gear - Worm.....	1
22	00-916358	Spacer - Upper Input Shaft.....	1
23	00-916357	Spacer - Input Shaft.....	1
24	BB-021-21	Bearing - Ball.....	1
25	00-916438	Retainer - Wormwheel.....	1
26	SC-089-02	Cap Screw 1/4-20 x 3/4 Hex Socket Hd.....	4
27	WL-012-04	Lockwasher N.D. #W-03.....	1
28	NS-034-04	Lock Nut N.D. #N-03.....	1
29	00-271301-00002	Sleeve - Worm Gear Adjustment.....	1
30	SC-047-09	Set Screw 1/4-20 x 1/4 Hex Hdls., Cup Pt.....	1
31	00-060768	Shim - Internal Pinion.....	AR

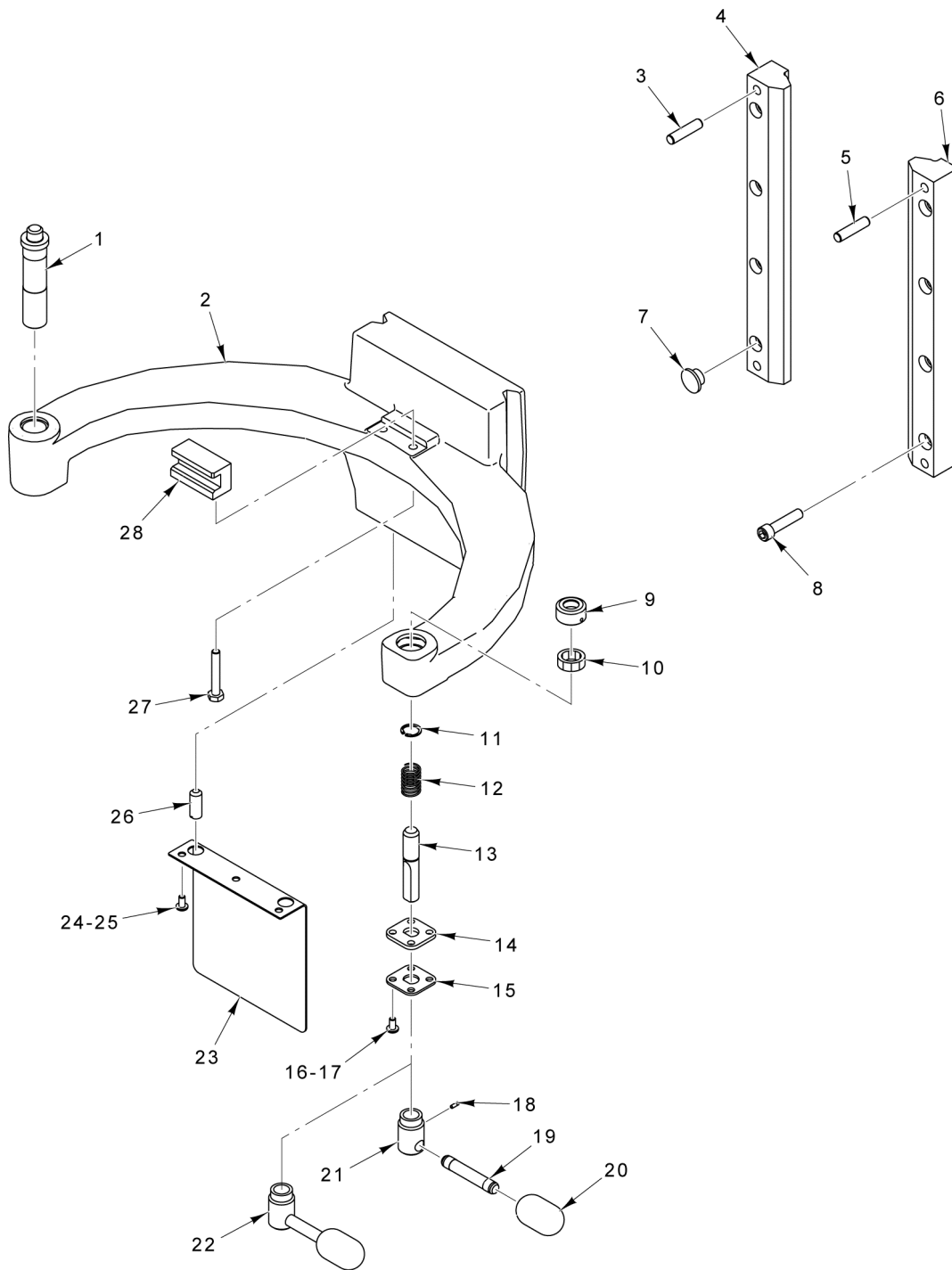


**PLANETARY**



**PLANETARY**

ILLUS.	PART NO.	NAME OF PART	AMT.
PL-58472			
1	00-917253	Drip Cup - Flange.....	1
2	00-916416-00001	Gear - Internal.....	1
3	WL-003-48	Lockwasher 5/16 High Collar.....	6
4	SC-089-19	Cap Screw 5/16-18 x 1-3/8 Hex Socket Hd.....	6
5	SC-066-13	Mach. Screw 8-32 x 1/4 Phil. Truss Hd. (SST).....	3
6	SC-128-73	Mach. Screw 8-32 x 1/4 Tx. Button Hd. (SST) (ML-134359).....	3
7	00-064871	Plug - Friction.....	1
8	RR-012-26	Retaining Ring.....	1
9	00-916444	Pinion - Planetary.....	1
10	00-916455	Seal - Planetary Upper.....	1
11	BB-017-39	Ball Bearing - MRC 205 SZZ-01-ST-A-92-C.....	2
12	00-916436	Planetary.....	1
13	00-874770	Spacer - Bowl Scraper.....	2
14	SC-053-46	Mach. Screw 1/4-20 x 3/4 Slotted Truss Hd. (SST).....	2
15	00-070047-00001	Washer - Planetary.....	1
16	WL-006-28	Lockwasher 3/8 Helical (SST).....	1
17	SC-062-58	Cap Screw 3/8-24 x 1-1/4 Hex Hd.....	1
18	BB-017-26	Ball Bearing - NSK #6206.....	2
19	00-439286	Seal - Agitator Shaft.....	1
20	00-012430-00149	Key.....	1
21	00-916458	Shaft - Agitator.....	1
22	00-070019	Pin - Agitator.....	1
23	00-916437-00002	Planetary Assy.....	1

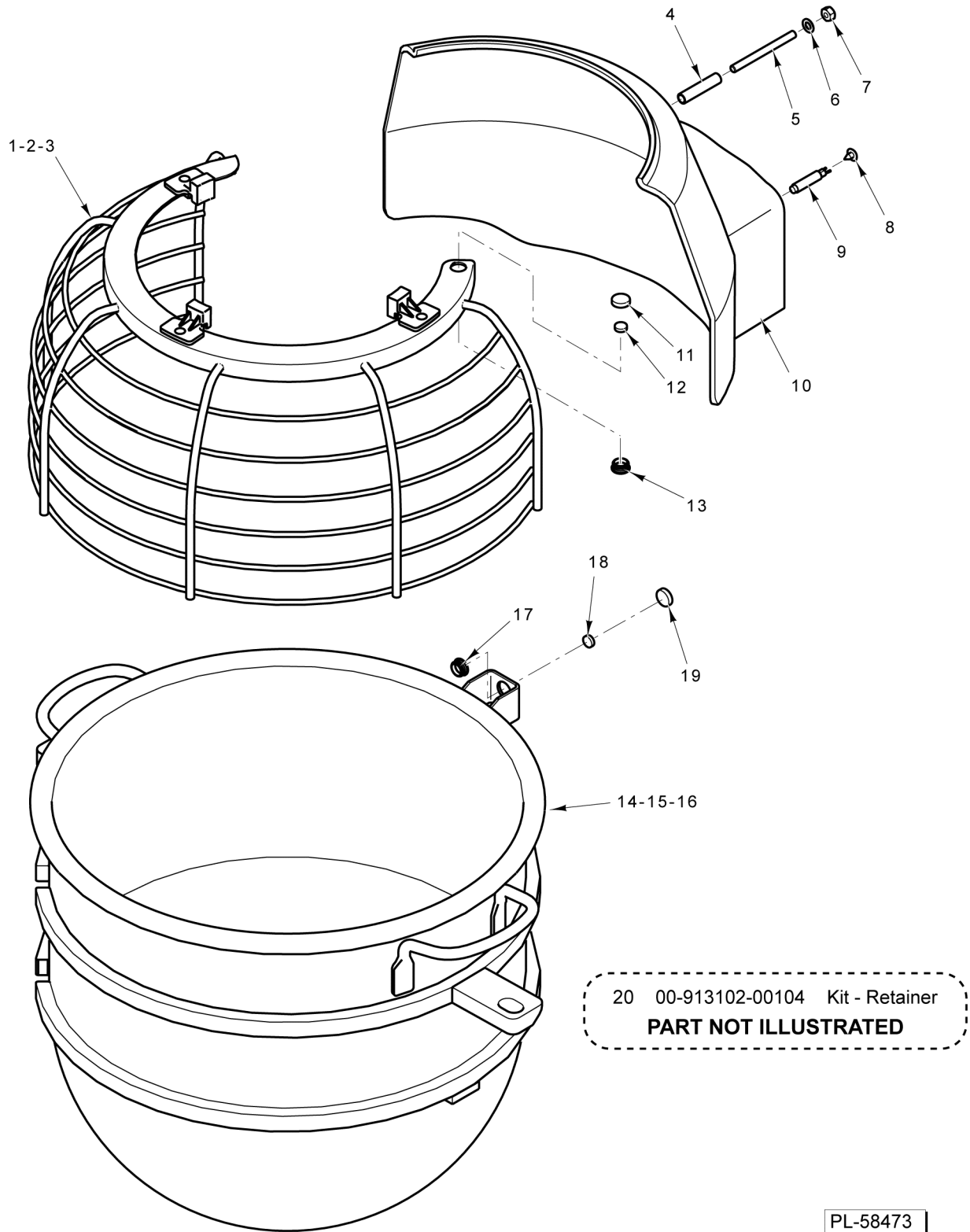


PL-58474

**BOWL SUPPORT**

**BOWL SUPPORT**

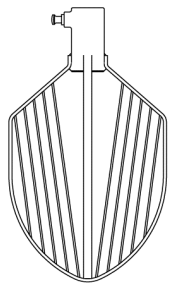
ILLUS.	PART NO.	NAME OF PART	AMT.
PL-58474			
1	00-916516	Pin - Bowl (LH).....	1
2	00-916497	Support - Bowl.....	1
3	00-968081-00001	Dowel.....	2
4	00-916365-00001	Slideway - Bowl Lift (LH).....	1
5	00-968081-00001	Dowel.....	2
6	00-916365-00002	Slideway - Bowl Lift (RH).....	1
7	PB-004-96	Cap.....	8
8	SC-089-19	Cap Screw 5/16-18 x 1-3/8 Hex Socket Hd.....	8
9	00-916501	Ramp.....	1
10	00-916502	Bushing - Split.....	1
11	RR-012-30	Retaining Ring.....	1
12	00-916488	Spring - Compression.....	1
13	00-916505	Pin - Bowl (RH).....	1
14	00-916550	Glide - Bowl Release.....	1
15	00-916506	Plate - Bowl Release.....	1
16	SC-093-23	Mach. Screw 10-24 x 3/8 Phil. Pan Hd. (SST).....	3
17	SC-128-69	Mach. Screw 10-24 x 3/8 Tx. Button Hd. (ML-134359).....	3
18	SC-047-74	Set Screw 8-32 x 1/4 Hex Hdls. Cup Pt.....	1
19	00-916552	Shaft - Bowl Pin Handle.....	1
20	00-875356	Handle - Lift Lever.....	1
21	00-916503	Block - Bowl Handle.....	1
22	00-916504-00002	Handle - Security Bowl Release (Correctional).....	1
23	00-916470	Apron - Lower.....	1
24	SC-093-23	Mach. Screw 10-24 x 3/8 Phil. Pan Hd. (SST).....	3
25	SC-128-69	Mach. Screw 10-24 x 3/8 Tx. Button Hd. (ML-134359).....	3
26	SC-047-46	Set Screw 3/8-16 x 1-1/4 Hex Hdls., Half Dog Pt.....	2
27	SC-097-15	Cap Screw 1/4-20 x 1-5/8 Hex Hd.....	2
28	00-916515	Catch - Rear Bowl.....	1



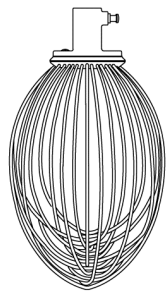
**BOWL AND BOWL GUARD**

**BOWL AND BOWL GUARD**

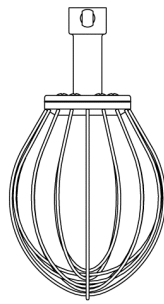
ILLUS.	PART NO.	NAME OF PART	AMT.
PL-58473			
1	00-937210-00001	Wire Cage Assy. (Incls. Items 11, 12, & 13).....	1
2	00-937210-00002	Wire Cage Assy. (Incls. Items 11, 12, & 13) (ML-134359).....	1
3	00-937210-00004	Wire Cage Assy. (Cheesecake Factory Only) (Incls. Items 11, 12, & 13).....	1
4	00-916610	Spacer - Splash Guard.....	4
5	00-916671	Rod - Splash Guard.....	4
6	WS-003-19	Washer.....	8
7	NS-013-02	Nut 1/4-20 Hex.....	4
8	SD-034-19	Self-Tapping Screw 10-16 x 3/8 Phil. Truss Hd., Type AB.....	1
9	00-087711-00352	Switch - Reed.....	1
10	00-917228	Guard - Splash Back.....	1
11	00-917357	Holder - Magnet (Upper).....	1
12	00-874875	Magnet - Disc.....	1
13	00-917358	Holder - Magnet (Lower).....	1
14	00-916617	Bowl Assy. (20 Qt.) (Incls. Items 17, 18, & 19) (Packaged).....	1
15	00-916616	Bowl Assy. (30 Qt.) (Incls. Items 17, 18, & 19) (Packaged).....	1
16	00-916615	Bowl Assy. (40 Qt.) (Incls. Items 17, 18, & 19) (Packaged).....	1
17	00-917358	Holder - Magnet (Lower).....	1
18	00-874875	Magnet - Disc.....	1
19	00-917357	Holder - Magnet (Upper).....	1
20	00-913102-00104	Kit - Retainer (Incls. Items 11, 12, & 13).....	1



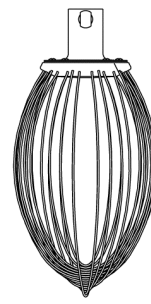
1



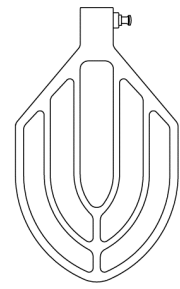
2



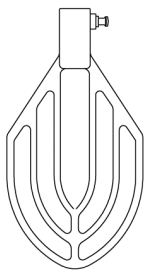
3



4



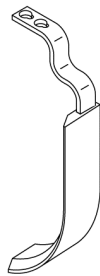
5



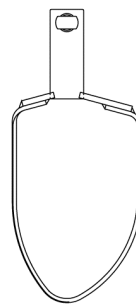
6



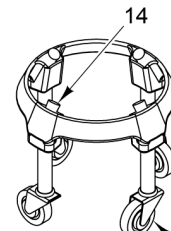
7-8-9



10-11

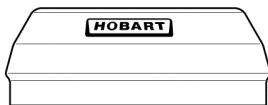


12

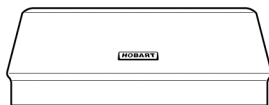


13

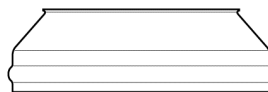
15



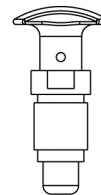
16-17



18

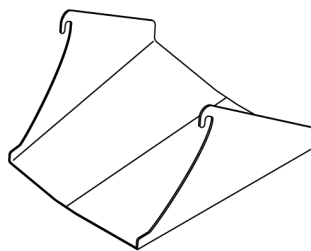


19

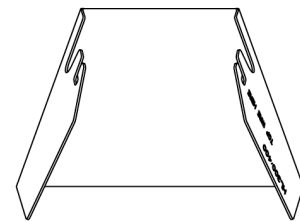


20

23 00-439096 Chute - Ingredient  
 24 00-917928 Chute - Ingredient  
**PARTS NOT ILLUSTRATED**



21



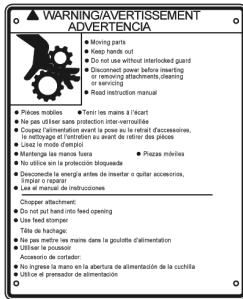
22

PL-58475

**AGITATORS AND ACCESSORIES**

**AGITATORS AND ACCESSORIES**

ILLUS. PL-58475	PART NO.	NAME OF PART	AMT.
1	00-916573	"C" Wire Whip (30 & 40 Qt.) (Packaged) (Incls. Item 20).....	1
2	00-916598	"D" Wire Whip (20 Qt.) (Packaged) (Incls. Item 20).....	1
3	00-916520	"I" Wire Whip (30 & 40 Qt.) (Packaged) (Incls. Item 20).....	1
4	00-916421	"D" Wire Whip (30 & 40 Qt.) (Packaged) (Incls. Item 20).....	1
5	00-916372	"B" Beater (30 & 40 Qt.) (Packaged) (Incls. Item 20).....	1
6	00-916582	"B" Flat Beater (20 Qt.) (Packaged) (Incls. Item 20).....	1
7	00-916827	"ED" Dough Arm (20 Qt.) (Packaged) (Incls. Item 20).....	1
8	00-916618-00001	"ED" Hook (30 & 40 Qt.) (Packaged) (Incls. Item 20).....	1
9	00-916618-00002	"ED" Hook (40 Qt.) (Packaged) (SST) (ML-134348) (Incls. Item 20).....	1
10	00-916839	Bowl Scraper (40 Qt.) (Packaged) (Incls. Item 11).....	1
11	00-435636-00003	Scraper - Bowl (40 Qt.).....	1
12	00-916481	"P" Pastry Knife (30 & 40 Qt.) (Packaged) (Incls. Item 20).....	1
13	00-916883	Bowl Truck Assy. (Incls. Items 14 & 15).....	1
14	00-018682-00001	Foot.....	4
15	00-087668-00002	Caster.....	4
16	00-438079	Splash Cover (20 Qt.) (Lexan) (Packaged).....	1
17	00-438080	Splash Cover (30 Qt.) (Lexan) (Packaged).....	1
18	00-916897	Splash Cover (40 Qt.) (Lexan) (Packaged).....	1
19	00-875677	Splash Cover (20 Qt.) (Packaged) (SST).....	1
20	00-874753	Plunger Assy.....	AR
21	00-916684	Ingredient Chute (20 Qt.) (Packaged).....	1
22	00-438607	Ingredient Chute (30 Qt.) (Packaged).....	1
23	00-439096	Ingredient Chute (40 Qt.) (Packaged).....	1
24	00-917928	Ingredient Chute (HL300/HL400).....	AR



1



2

PL-65199

**LABELS & NAMEPLATES**



**LABELS & NAMEPLATES**

<b>ILLUS.</b>	<b>PART NO.</b>	<b>NAME OF PART</b>	<b>AMT.</b>
<b>PL-PL-65199</b>			
1	00-916957-00064	Label - Warning, Moving Parts (Trilingual).....	1
2	00-938643	Label, Legacy "+" Medium (2.81" X .478").....	1

