



# CATALOG OF REPLACEMENT PARTS



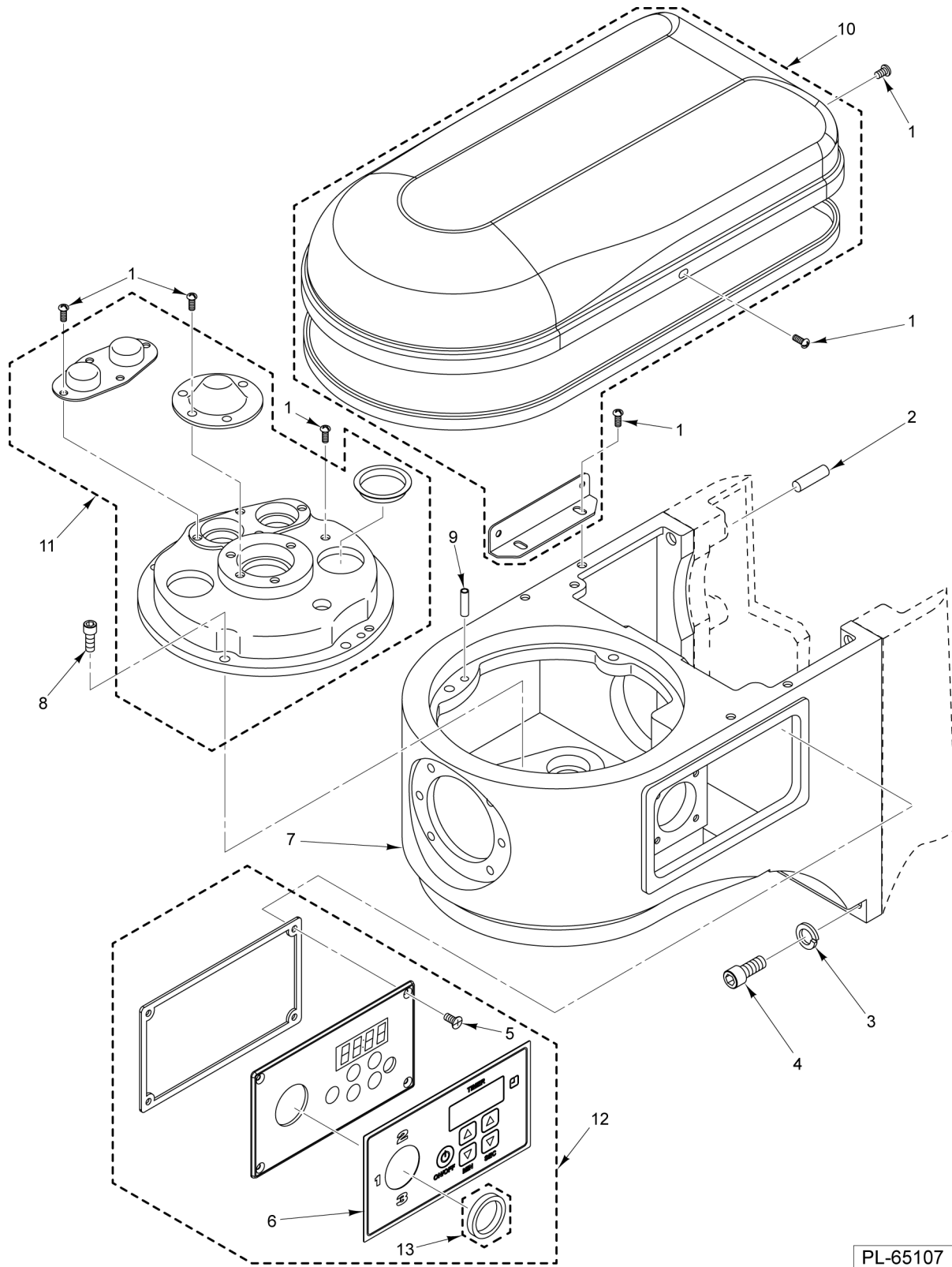
**HMM20 MIXER**

**ML-141157**



**Table of Contents**

5 TRANSMISSION CASE  
7 ATTACHMENT HUB  
9 PEDESTAL AND BASE  
11 ELECTRICAL PARTS  
13 MOTOR  
15 SHIFTER PARTS  
17 PLANETARY  
19 PLANETARY SHAFT  
21 TRANSMISSION & WORM SHAFTS  
23 BOWL LIFT LEVER  
25 BOWL SUPPORT  
27 BOWL GUARD  
29 BOWL AND AGITATORS  
31 LABELS

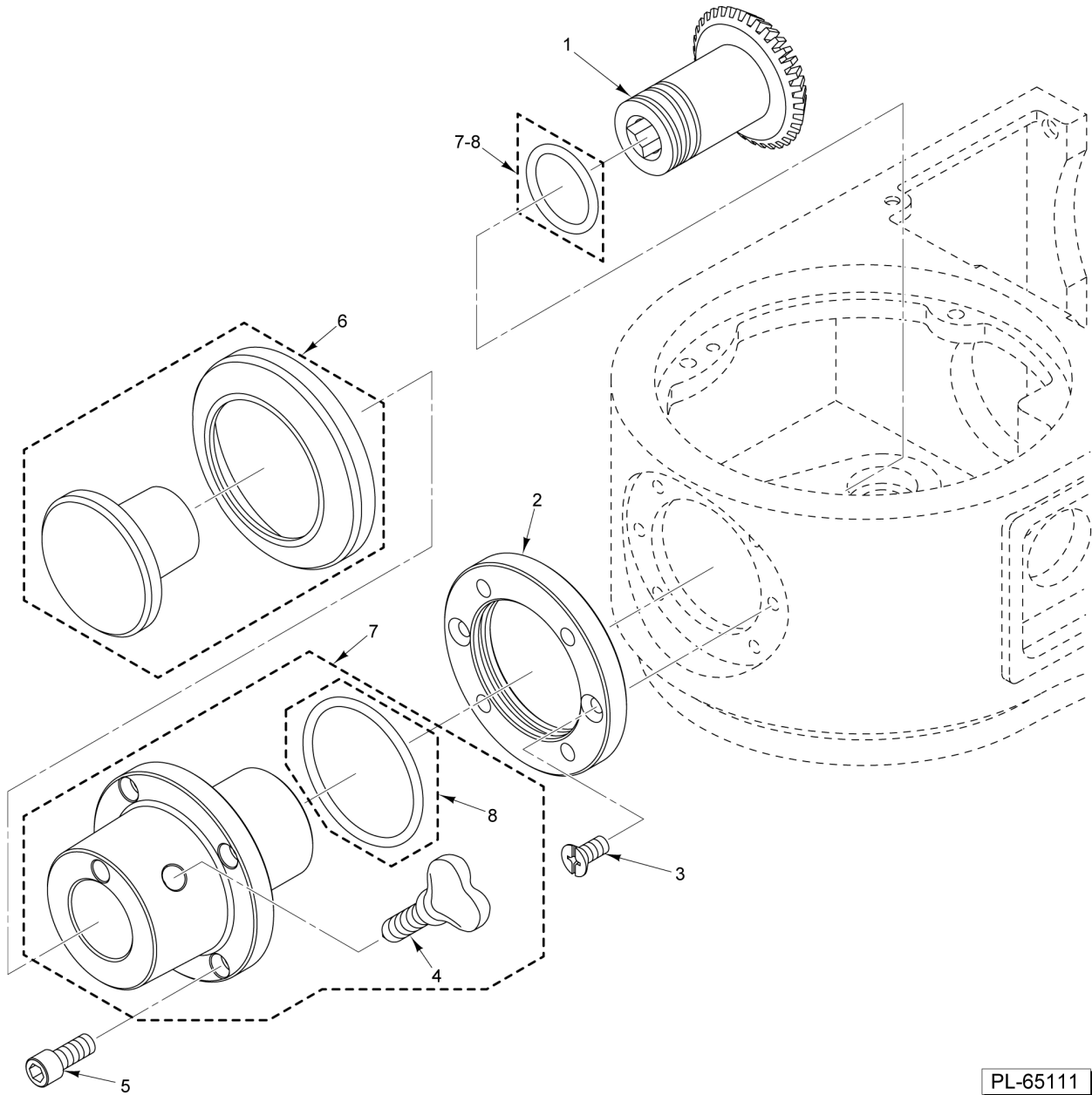


PL-65107

**TRANSMISSION CASE**

### TRANSMISSION CASE

ILLUS.	PART NO.	NAME OF PART	AMT.
PL-65107			
1		Mach. Screw 3/16-24 x 3/8.....	AR
2	00-938090	Pin - Spring 8 x 20.....	2
3		Spring Washer 5/16 In.....	4
4		Cap Screw 5/16-18 x 1-1/4.....	4
5		Screw, Mach. 10-24 X 3/8.....	4
6	00-938087	Label - Control Panel.....	1
7	00-938084	Case - Transmission.....	1
8		Cap Screw 1/4-20 x 5/8.....	4
9	00-938089	Pin - Spring 6 x 22.....	2
10	00-938539-00001	Service Kit - Lid (Incls. Brackets as shown).....	1
11	00-938539-00002	Service Kit - Top Cover (Incls. parts as shown).....	1
12	00-938419	Control Panel Assy. (Incls. Items 5, 6, & Seals and Gaskets as shown).....	1
13	00-938539-00003	Service Kit - Sealing (Incls. All Seals and O-Rings for Mixer as shown).....	1

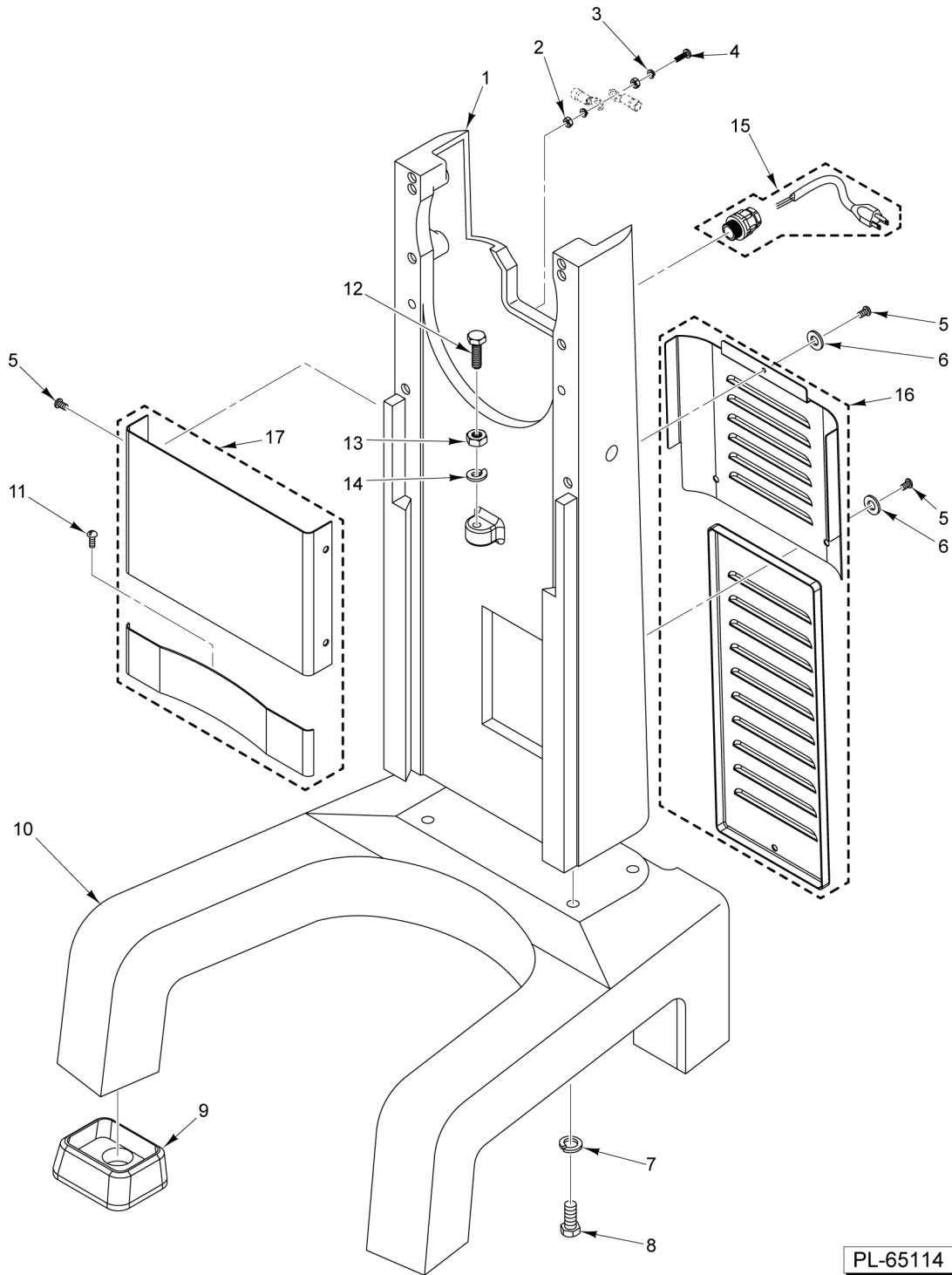


PL-65111

### ATTACHMENT HUB

**ATTACHMENT HUB**

<b>ILLUS.</b>	<b>PART NO.</b>	<b>NAME OF PART</b>	<b>AMT.</b>
PL-65111			
1	00-938274	Bevel Gear Assy.....	1
2	00-938194	Spacer - Hub Attachment.....	1
3		Mach. Screw 1/4-20 x 3/4.....	2
4	00-938191	Screw - Thumb.....	1
5		Cap Screw 1/4-20 x 1.....	4
6	00-938539-00005	Service Kit - Plug.....	1
7	00-938539-00006	Service Kit - Hub (Incls. Items 6, 8, & Seals as required/shown).....	1
8	00-938539-00003	Service Kit - Sealing (Incls. All Seals and O-Rings for Mixer as shown).....	1



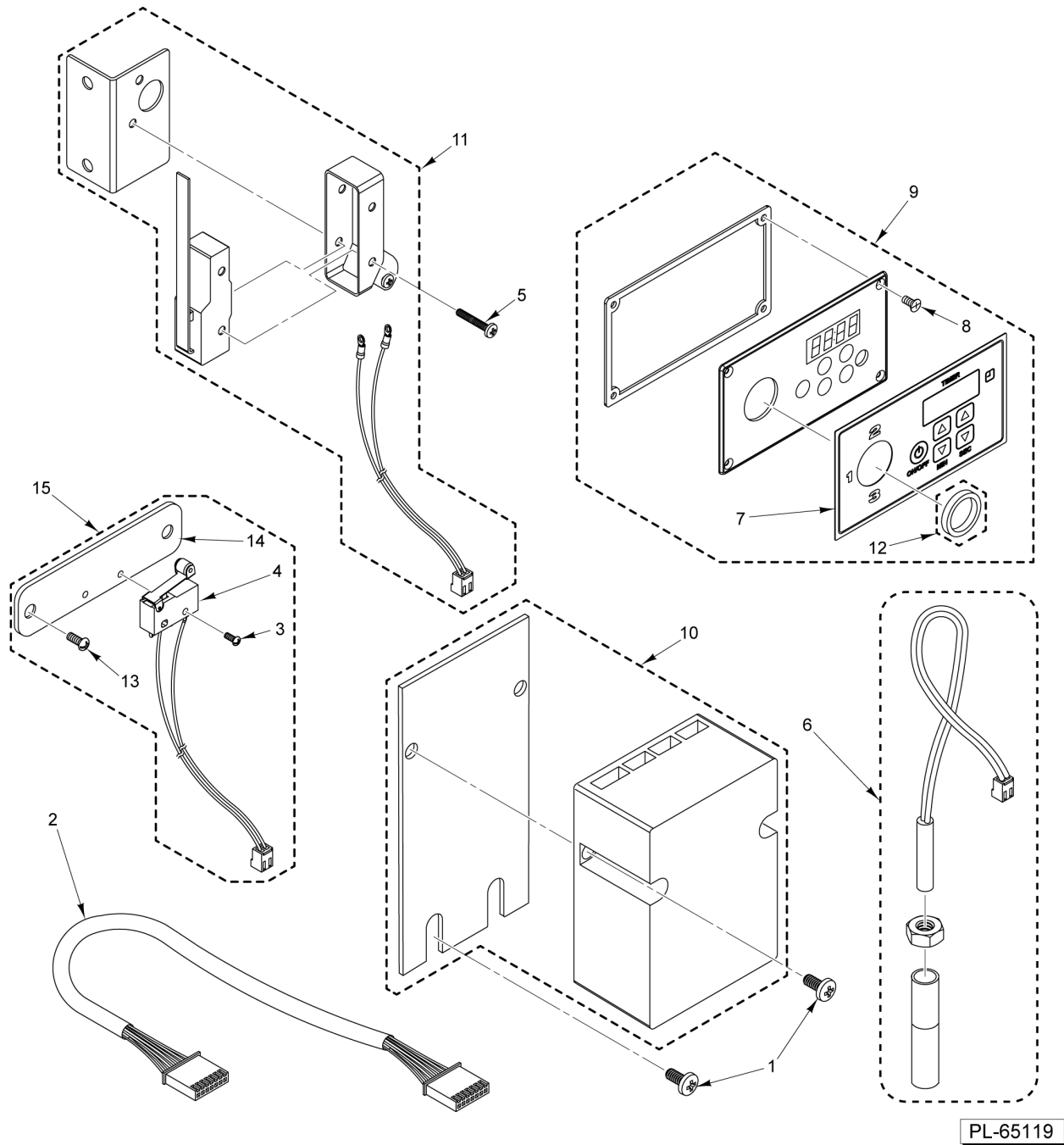
PL-65114

**PEDESTAL AND BASE**



**PEDESTAL AND BASE**

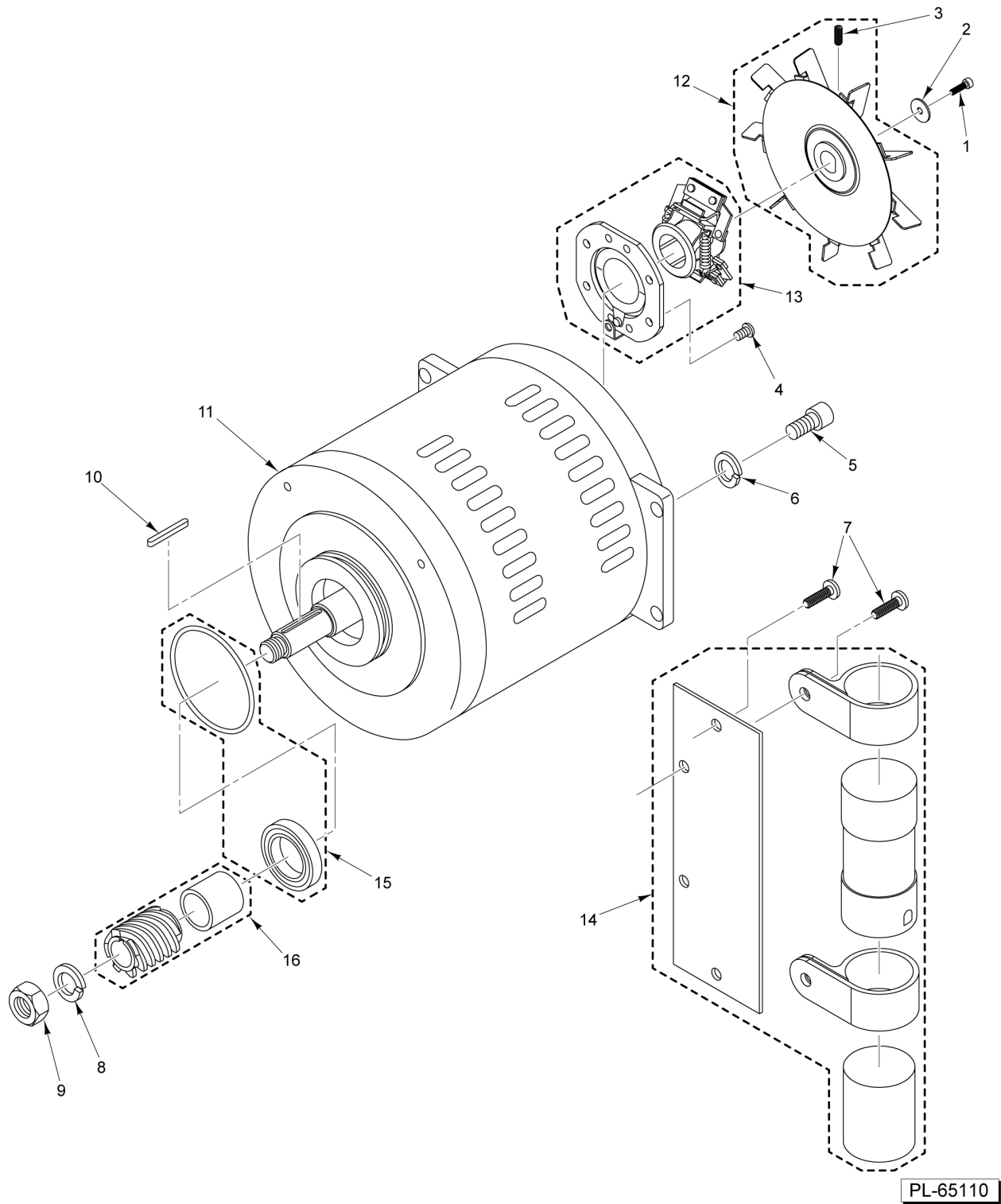
ILLUS.	PART NO.	NAME OF PART	AMT.
PL-65114			
1	00-938144	Column.....	1
2		Nut 5/32-32.....	2
3		Washer - Lock (5/32).....	2
4		Cap Screw 5/32-32 x 3/4.....	1
5		Mach. Screw 3/16-24 x 3/8.....	8
6		Washer - Nylon 5.2 x 12 x 1.....	4
7		Washer - Lock 3/8 In.....	4
8		Hex Screw 3/8-16 x 1.....	4
9	00-938151	Pad - Foot.....	4
10	00-938147	Base.....	1
11		Mach. Screw 3/16-24 x 1/4.....	2
12		Hex Screw 5/16-18 x 1-3/4.....	1
13		Nut 5/16-18.....	1
14		Spring Washer 5/16.....	1
15	00-938539-00009	Service Kit - Power Cord (Incls. parts as shown).....	1
16	00-938539-00008	Service Kit - Rear Covers (Incls. parts as shown).....	1
17	00-938539-00007	Service Kit - Front Covers (Incls. parts as shown).....	1



### ELECTRICAL PARTS

## ELECTRICAL PARTS

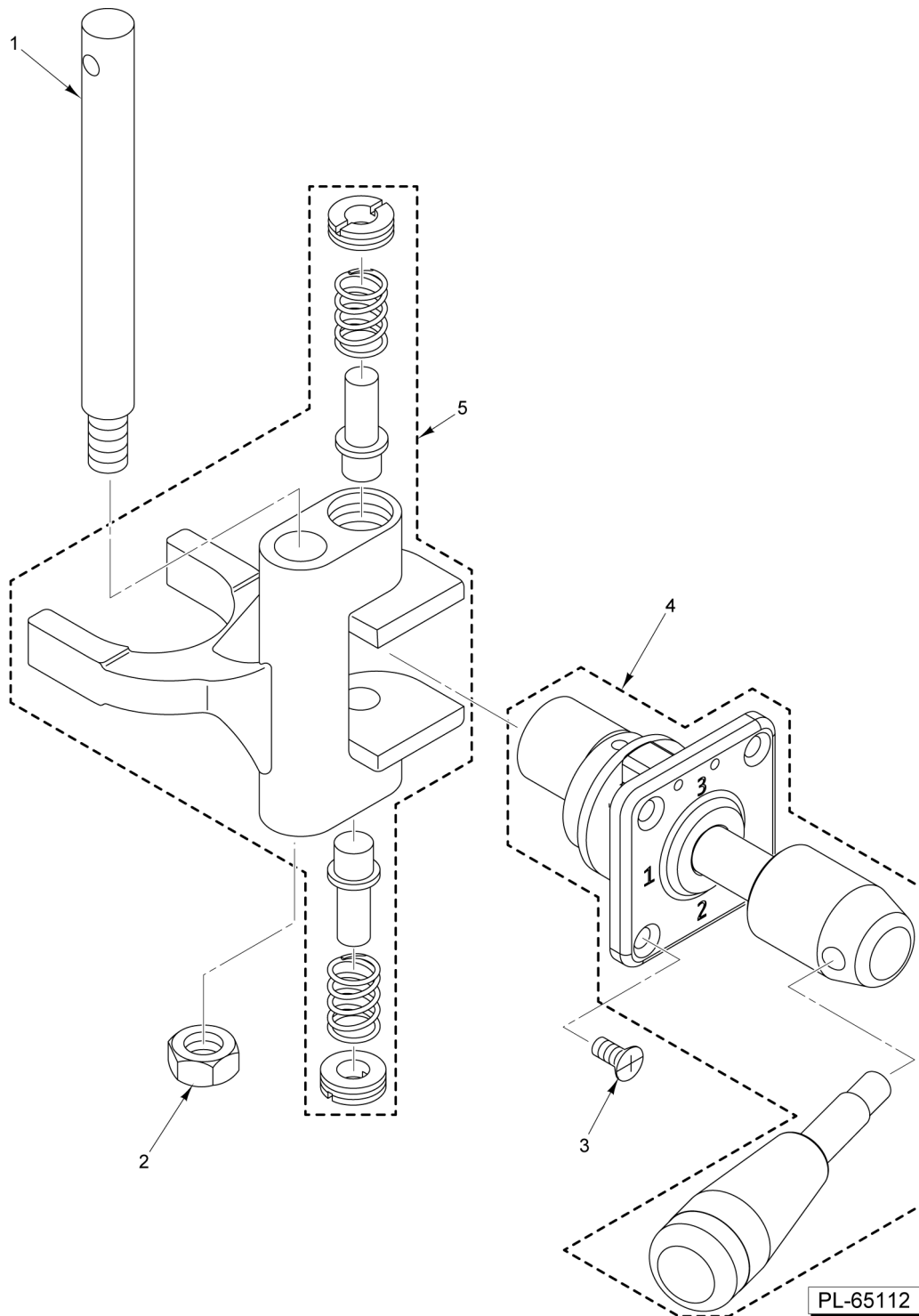
ILLUS.	PART NO.	NAME OF PART	AMT.
1		Mach. Screw 3/16-24 x 3/8.....	2
2	00-938245	Cable - Internal, Power Board.....	1
3		Mach. Screw M2.6 x 0.45 x 12.....	2
4	00-938132	Micro Switch - Speed Shift (Incls. Harness).....	1
5		Mach. Screw 1/4-20 x 3/4.....	2
6	00-938398	Switch Assy. (Incls. Tube and Nut).....	1
7	00-938087	Label - Control Panel.....	1
8		Mach. Screw 5/32-32 x 3/16.....	4
9	00-938419	Control Panel Assy. (Incls. Item 7, 8, & Seals/Gaskets as required/shown).....	1
10	00-938539-00011	Service Kit - Power Box (Incls. parts as shown).....	1
11	00-938539-00010	Service Kit - Bowl Switch (Incls. parts as shown).....	1
12	00-938539-00003	Service Kit - Sealing (Incls. all Seals and O-rings for Mixer as shown).....	1
13	00-938925	Mach. Screw 3/16 x 1/2.....	2
14	00-938924	Plate - Switch.....	1
15	00-938539-00025	Kit - Micro Switch (Incls. Items 3, 4, 13, & 14).....	1



**MOTOR**

**MOTOR**

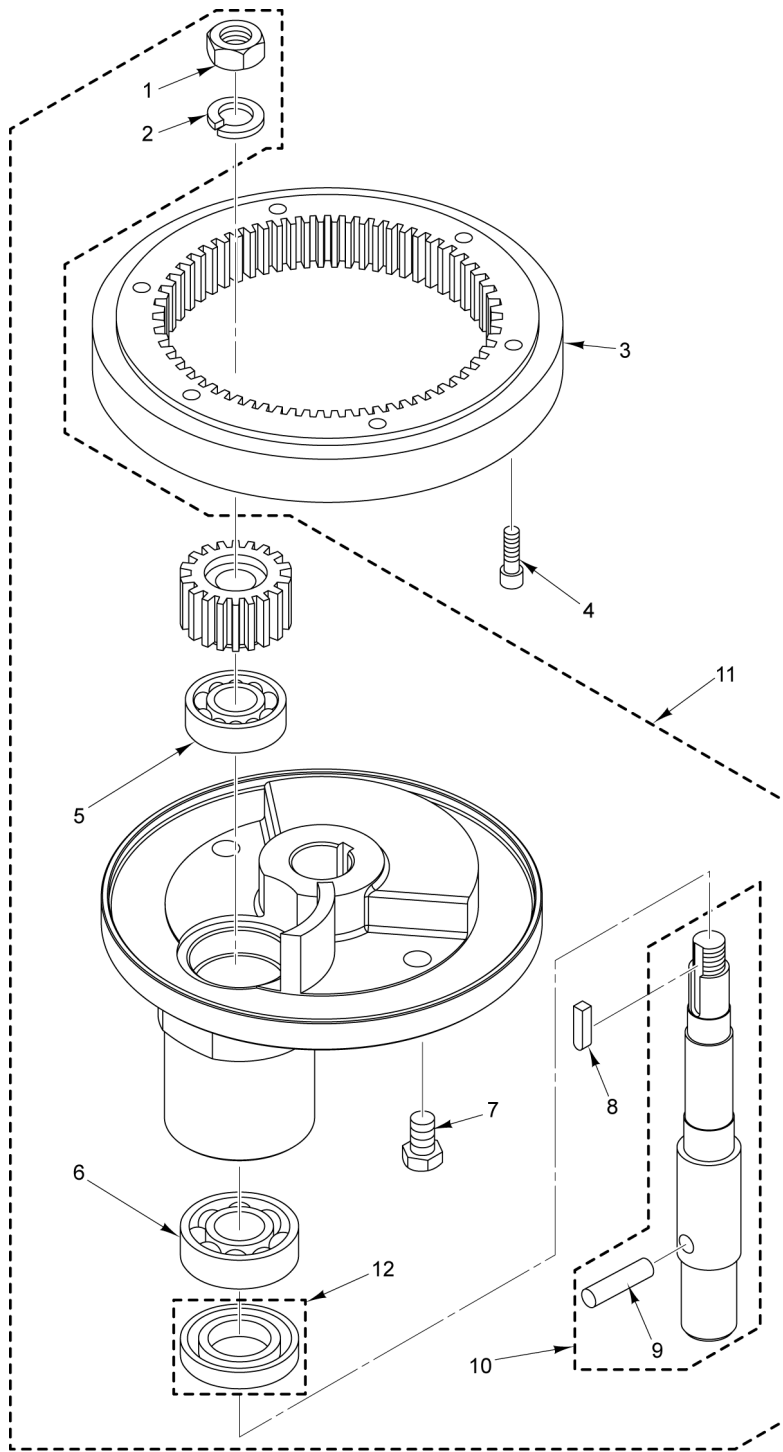
ILLUS.	PART NO.	NAME OF PART	AMT.
1		Mach. Screw 3/16-24 x 3/8.....	1
2		Flat Washer 3/16.....	1
3		Hex Screw 3/16 x 3/8.....	2
4		Mach. Screw 3/16-24 x 3/8.....	2
5		Cap Screw 5/16-18 x 1-1/4.....	4
6		Spring Washer 5/16.....	4
7		Screw 3/16-24 x 3/8.....	4
8		Spring Washer 1/2.....	1
9		Nut 1/2-20.....	1
10	00-938101	Key 1/8 x 1/8 x 28.....	1
11	00-938098	Motor (110 V. / 60 Hz. / 1 Phase) (Incls. Items 1 thru 4, 12 & 13, & Run and Start Capacitors).....	1
12	00-938539-00015	Service Kit - Fan (Incls. Item 3 as shown).....	1
13	00-938539-00012	Service Kit - Start Switch (Incls. parts as shown).....	1
14	00-938539-00013	Service Kit - Capacitor (Incls. parts as shown).....	1
15	00-938539-00003	Service Kit - Sealing (Incls. all Seals and O-rings for Mixer as shown).....	1
16	00-938539-00014	Service Kit - Worm Gear (Incls. parts as shown).....	1



**SHIFTER PARTS**

**SHIFTER PARTS**

ILLUS.	PART NO.	NAME OF PART	AMT.
PL-65112			
1	00-938124	Rod - Shift Guide.....	1
2		Nut 3/8-16.....	1
3		Mach. Screw 3/16-24 x 1/2.....	4
4	00-938539-00017	Service Kit - Shifter (Incls. parts as shown).....	1
5	00-938539-00016	Service Kit - Shift Yolk (Incls. parts as shown).....	1



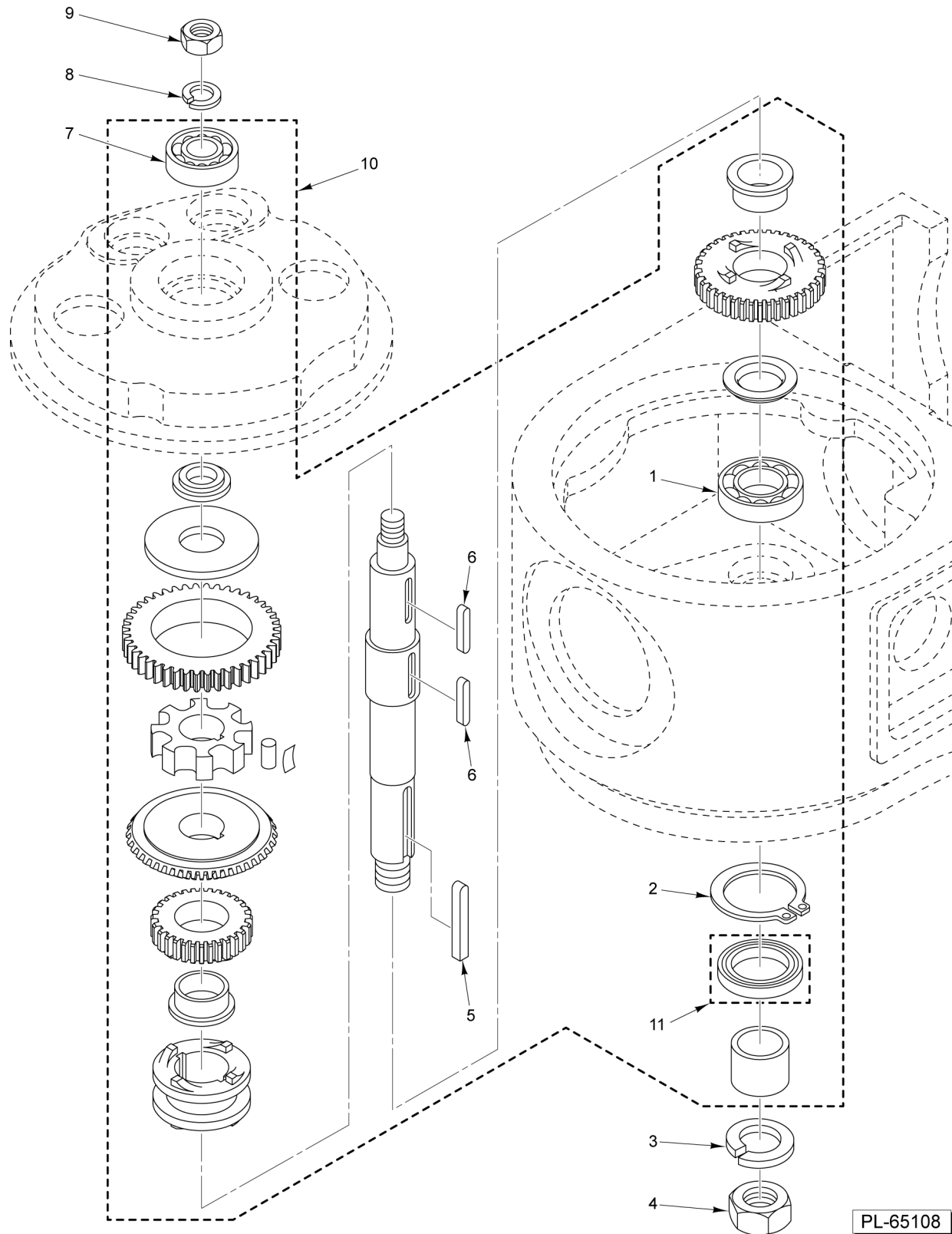
PL-65113

**PLANETARY**



**PLANETARY**

ILLUS.	PART NO.	NAME OF PART	AMT.
PL-65113			
1		Nut 1/2-20.....	1
2		Spring Washer 1/2.....	1
3	00-938134	Gear - Internal.....	1
4		Cap Screw 1/4-20 x 1.....	6
5	00-938141	Bearing - Ball, 6203Z.....	1
6	00-938140	Bearing - Ball, 6204Z.....	1
7		Hex Screw 1/2-12 x 3/4.....	2
8	00-938142	Key 5mm x 5mm x 20mm.....	1
9	00-938139	Pin - Tapered.....	1
10	00-938277	Agitator Shaft Assy. (Incls. Pin).....	1
11	00-938318	Planetary Assy. (Incls. Items 1, 2, 5, 6, 8, 10, 19T Gear, & Seal as shown).....	1
12	00-938539-00003	Service Kit - Sealing (Incls. all Seals and O-rings for Mixer as shown).....	1

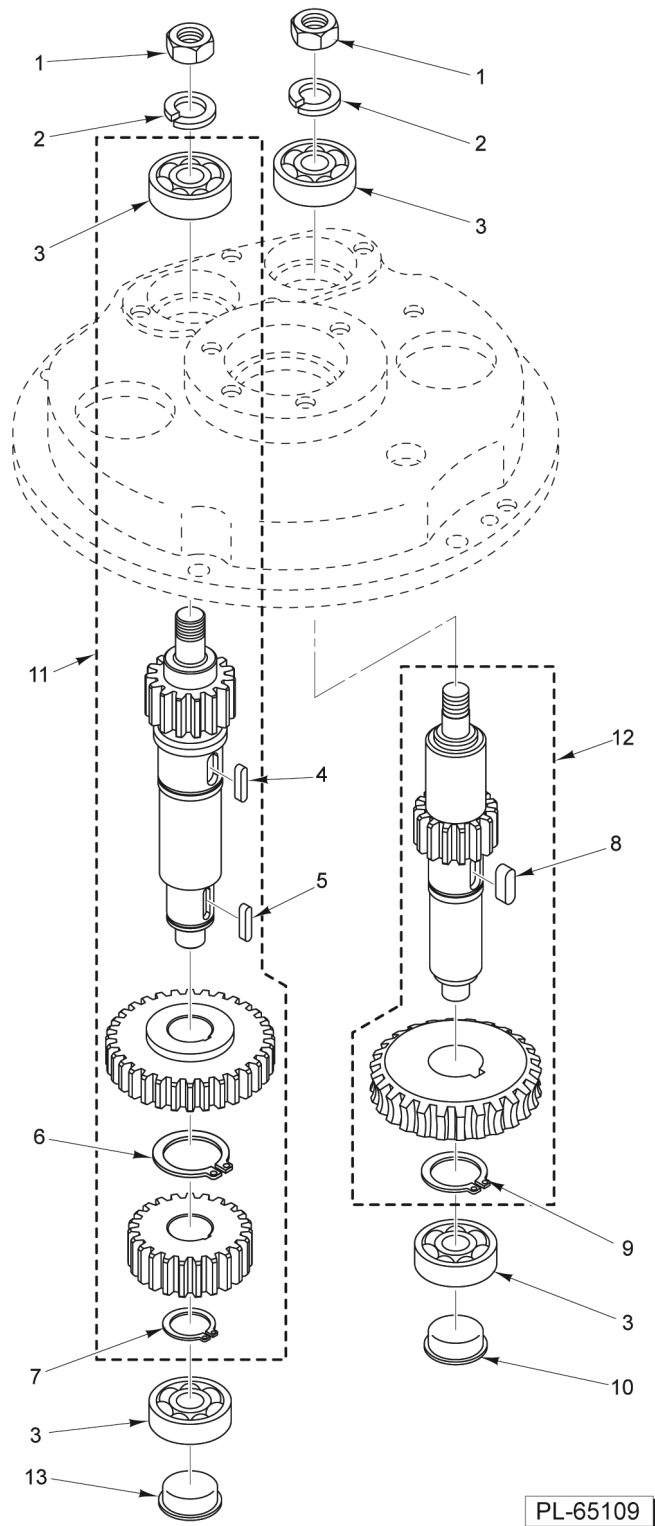


PL-65108

**PLANETARY SHAFT**

**PLANETARY SHAFT**

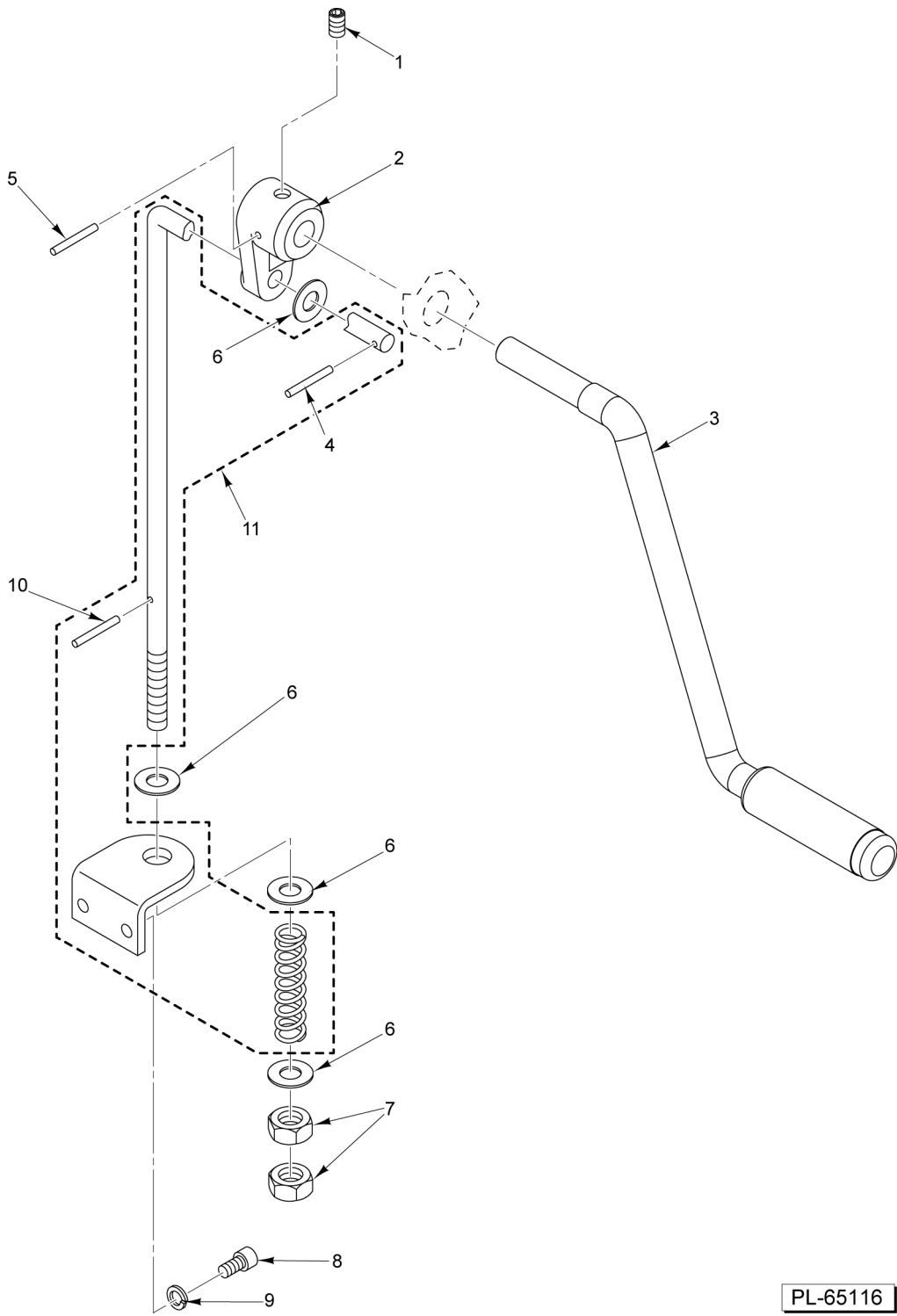
ILLUS.	PART NO.	NAME OF PART	AMT.
PL-65108			
1	00-938209	Bearing - Ball, 6005Z.....	1
2		Ring - Retaining.....	1
3		Washer - Spring (3/4).....	1
4		Nut - Acorn (3/4-16).....	1
5	00-938218	Key 6 x 6 x 50 (Single Round).....	1
6	00-938217	Key 6 x 6 x 30 (Double Round).....	2
7	00-938141	Bearing - Ball, 6203Z.....	1
8		Spring Washer 1/2.....	1
9		Nut 1/2-20.....	1
10	00-938539-00018	Service Kit - Planetary Shaft (Incls. Item 1, 2 & 6 thru 8 as shown).....	1
11	00-938539-00003	Service Kit - Sealing (Incls. all Seals and O-rings for Mixer as shown).....	1



**TRANSMISSION & WORM SHAFTS**

**TRANSMISSION & WORM SHAFTS**

ILLUS.	PART NO.	NAME OF PART	AMT.
PL-65109			
1		Nut 3/8-24.....	2
2		Washer - Spring 3/8.....	2
3	00-938201	Bearing - Ball, 6200Z.....	4
4	00-938205	Key (5 x 5 x 13) (Double Round).....	1
5	00-938206	Key 1/8 x 1/8 x 1/2 (Double Round).....	1
6		Ring - Snap.....	1
7		Ring - Snap.....	1
8	00-938205	Key (5 x 5 x 13) (Double Round).....	1
9		Ring - Snap.....	1
10	00-938203	Baffle - Oil, Worm Gear Shaft.....	1
11	00-938319	Transmission Shaft Assy. (Incls. Items 3 thru 7).....	1
12	00-938320	Worm Shaft Assy. (Incls. Items 8 & 9).....	1
13	00-938991	Baffle - Oil, Transmission Shaft.....	1

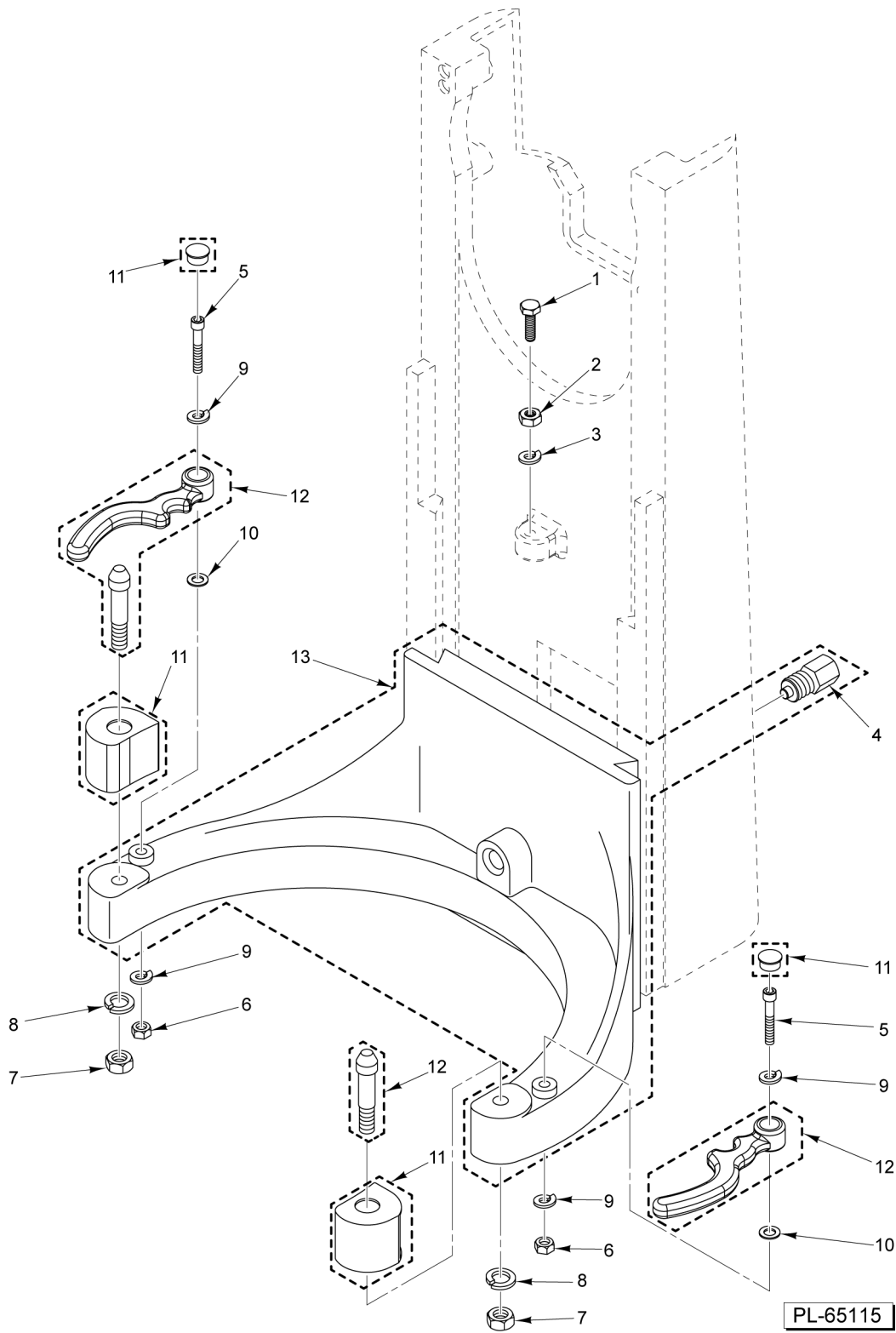


PL-65116

**BOWL LIFT LEVER**

**BOWL LIFT LEVER**

ILLUS.	PART NO.	NAME OF PART	AMT.
PL-65116			
1		Set Screw 5/16-18 x 3/8.....	1
2	00-938157	Bracket - Lifting Handle.....	1
3	00-938278	Lift Handle Assy.....	1
4	00-938380	Pin - Spring 3mm x 16 mm.....	1
5	00-938161	Pin - Spring 6mm x 36mm.....	1
6		Washer - Lock 3/8 In.....	3
7		Nut 3/8-16.....	2
8		Cap Screw 5/16-18 x 3/4.....	2
9		Spring Washer 5/16.....	2
10	00-938162	Pin - Spring 3mm x 28mm.....	1
11	00-938539-00019	Service Kit - Lift Bar (Incls. Items 4, & 10 as shown).....	1

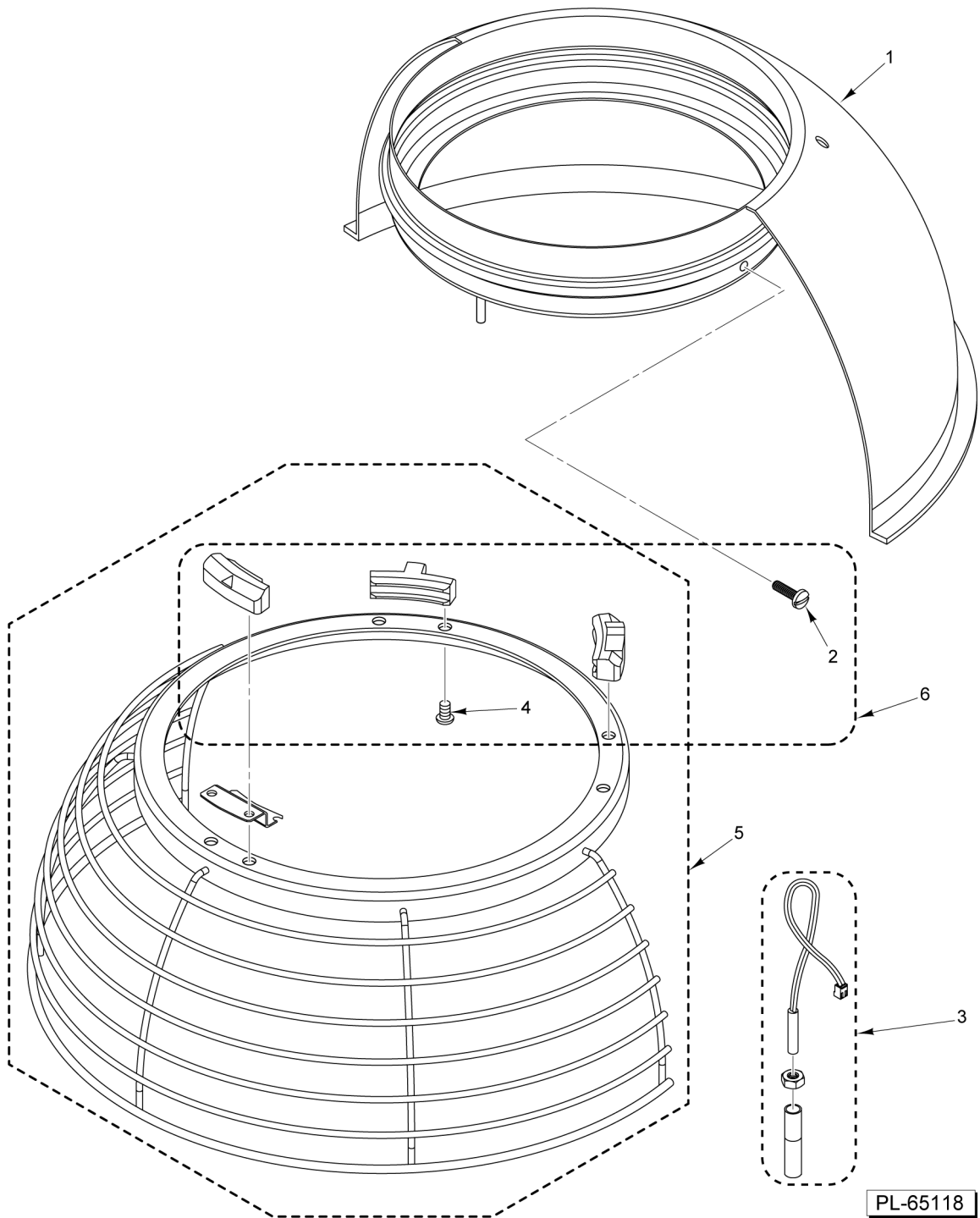


**BOWL SUPPORT**



**BOWL SUPPORT**

ILLUS.	PART NO.	NAME OF PART	AMT.
PL-65115			
1		Hex Screw 5/16-18 x 1-3/4.....	1
2		Nut 5/16-18.....	1
3		Spring Washer 5/16.....	1
4	00-938183	Bushing - Bowl Switch.....	1
5		Mach. Screw 1/4-20 x 2-1/4 Truss Hd.....	2
6		Nut 1/4-20.....	2
7		Nut 3/8-16.....	2
8		Washer - Spring 3/8.....	2
9		Spring Washer 1/4.....	4
10		Washer 1/4.....	2
11	00-938539-00020	Service Kit - End Covers (Incls. parts as shown).....	1
12	00-938539-00021	Service Kit - Bowl Locking (Incls. parts as shown).....	1
13	00-938539-00022	Service Kit - Bowl Yoke (Incls. Item 4 as shown).....	1

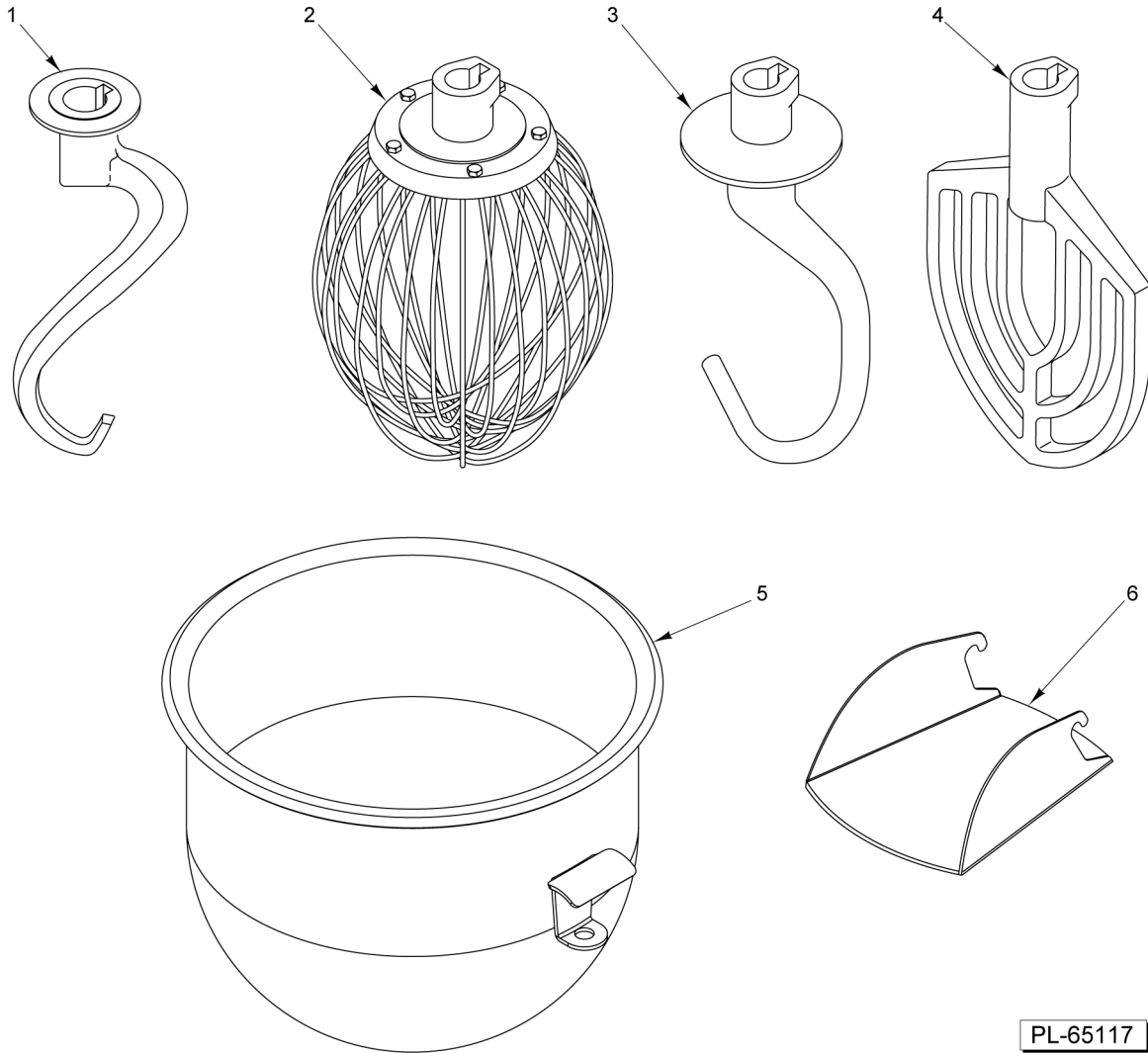


PL-65118

### BOWL GUARD

**BOWL GUARD**

ILLUS.	PART NO.	NAME OF PART	AMT.
PL-65118			
1	00-938237	Cover - Back Splash.....	1
2		Screw 1/4-20 x 3/8.....	3
3	00-938398	Switch Assy. (Incls. Tube and Nut).....	1
4		Mach. Screw 3/16-24 x 3/8.....	6
5	00-938539-00023	Service Kit - Bowl Guard (Incls. Item 4 as shown).....	1
6	01-650054	Kit - Bowl Guard & Drip Cup Hardware.....	1




PL-65117

### BOWL AND AGITATORS

**BOWL AND AGITATORS**

ILLUS. PL-65117	PART NO.	NAME OF PART	AMT.
1	00-938262	Dough Hook Assy.....1	1
2	00-938263	Wire Whip Assy.....1	1
3	00-938374	J-Hook Assy.....1	1
4	00-938261	Beater Assy.....1	1
5	00-938260	Bowl Assy.....1	1
6	00-938377	Ingredient Chute Assy.....1	1

⚠
**WARNING**
⚠



- Moving parts
- Keep hands out
- Do not use without interlocked guard
- Read instruction manual

- Disconnect power before inserting or removing attachments, cleaning or servicing

Chopper attachment:

- Do not put hand into feed opening
- Use feed stomper

⚠
**ADVERTISSEMENT**

- Pièces mobiles
- Tenir les mains à l'écart
- Ne pas utiliser sans protection inter-verrouillée
- Lisez le mode d'emploi
- Coupez l'alimentation avant la pose ou le retrait d'accessoires, le nettoyage et l'entretien au avant de retirer des pièces

Tête de hachage :

- Ne pas mettre les mains dans la goulotte d'alimentation
- Utiliser le poussoir

⚠
**ADVERTENCIA**

- Mantenga las manos fuera
- Piezas móviles
- No utilice sin la protección bloqueada
- Lea el manual de instrucciones
- Desconecte la energía antes de insertar o quitar accesorios, limpiar o reparar

Accesorio de cortador:

- No ingrese la mano en la abertura de alimentación de la cuchilla
- Utilice el prensador de alimentación

← 1

# centerline

by **HOBART**

NOTE /REMARQU/NOTA

Keep Slideways Lubricated  
 Maintenir les glissières  
 lubrifiées  
 Mantenga las guías de  
 deslizamiento lubricadas

PL-61227

## LABELS

**LABELS**

<b>ILLUS.</b>	<b>PART NO.</b>	<b>NAME OF PART</b>	<b>AMT.</b>
1		Kit - Label (Incls. Small and Large Centerline Labels).....	1

